

INSTALLATION GUIDE



AXIS M1054 Network Camera

ENGLISH

FRANÇAIS

DEUTSCH

ITALIANO

ESPAÑOL

日本語

Installation Guide

Legal Considerations

Video and audio surveillance can be regulated by laws that vary from country to country. Check the laws in your local region before using this product for surveillance purposes.

This product includes one (1) H.264 decoder license and one (1) AAC decoder license. To purchase further licenses, contact your reseller.

Liability

Every care has been taken in the preparation of this document. Please inform your local Axis office of any inaccuracies or omissions. Axis Communications AB cannot be held responsible for any technical or typographical errors and reserves the right to make changes to the product and manuals without prior notice. Axis Communications AB makes no warranty of any kind with regard to the material contained within this document, including, but not limited to, the implied warranties of merchantability and fitness for a particular purpose. Axis Communications AB shall not be liable nor responsible for incidental or consequential damages in connection with the furnishing, performance or use of this material. This product is only to be used for its intended purpose.

Intellectual Property Rights

Axis AB has intellectual property rights relating to technology embodied in the product described in this document. In particular, and without limitation, these intellectual property rights may include one or more of the patents listed at www.axis.com/patent.htm and one or more additional patents or pending patent applications in the US and other countries.

This product contains licensed third-party software. See the menu item "About" in the product's user interface for more information.

This product contains source code copyright Apple Computer, Inc., under the terms of Apple Public Source License 2.0 (see www.opensource.apple.com/aps/). The source code is available from <https://developer.apple.com/bonjour/>

Equipment Modifications

This equipment must be installed and used in strict accordance with the instructions given in the user documentation. This equipment contains no user-serviceable components. Unauthorized equipment changes or modifications will invalidate all applicable regulatory certifications and approvals.

Trademark Acknowledgments

AXIS COMMUNICATIONS, AXIS, ETRAX, ARTPEC and VAPIX are registered trademarks or trademark applications of Axis AB in various jurisdictions. All other company names and products are trademarks or registered trademarks of their respective companies.

Apple, Boa, Apache, Bonjour, Ethernet, Internet Explorer, Linux, Microsoft, Mozilla, Real, SMPTE, QuickTime, UNIX, Windows, Windows Vista and WWW are registered trademarks of the respective

holders. Java and all Java-based trademarks and logos are trademarks or registered trademarks of Oracle and/or its affiliates. UPnP™ is a certification mark of the UPnP™ Implementers Corporation.

Regulatory Information

Europe



This product complies with the applicable CE marking directives and harmonized standards:

- Electromagnetic Compatibility (EMC) Directive 2004/108/EC. See *Electromagnetic Compatibility (EMC) on page 2.*
- Low Voltage (LVD) Directive 2006/95/EC. See *Safety on page 3.*
- Restrictions of Hazardous Substances (RoHS) Directive 2011/65/EU. See *Disposal and Recycling on page 3.*

A copy of the original declaration of conformity may be obtained from Axis Communications AB. See *Contact Information on page 3.*

Electromagnetic Compatibility (EMC)

This equipment has been designed and tested to fulfill applicable standards for:

- Radio frequency emission when installed according to the instructions and used in its intended environment.
- Immunity to electrical and electromagnetic phenomena when installed according to the instructions and used in its intended environment.

USA

This equipment has been tested using a shielded network cable (STP) and found to comply with the limits for a Class B digital device, pursuant to part 15 of the FCC Rules. These limits are designed to provide reasonable protection against harmful interference in a residential installation. This equipment generates, uses and can radiate radio frequency energy and, if not installed and used in accordance with the instructions, may cause harmful interference to radio communications. However, there is no guarantee that interference will not occur in a particular installation. If this equipment does cause harmful interference to radio or television reception, which can be determined by turning the equipment off and on, the user is encouraged to try to correct the interference by one or more of the following measures:

- Reorient or relocate the receiving antenna.
- Increase the separation between the equipment and receiver.
- Connect the equipment into an outlet on a circuit different from that to which the receiver is connected.
- Consult the dealer or an experienced radio/TV technician for help.

The product shall be connected using a shielded network cable (STP) that is properly grounded.

Canada

This digital apparatus complies with CAN ICES-3 (Class B). The product shall be connected using a shielded network cable (STP) that is properly grounded. Cet appareil numérique est conforme à la norme CAN NMB-3 (classe B). Le produit doit être connecté à l'aide d'un câble réseau blindé (STP) qui est correctement mis à la terre.

Europe

This digital equipment fulfills the requirements for RF emission according to the Class B limit of EN 55022. The product shall be connected using a shielded network cable (STP) that is properly grounded.

This product fulfills the requirements for immunity according to EN 61000-6-1 residential, commercial and light-industrial environments.

This product fulfills the requirements for immunity according to EN 61000-6-2 industrial environments.

This product fulfills the requirements for immunity according to EN 55024 office and commercial environments

Australia/New Zealand

This digital equipment fulfills the requirements for RF emission according to the Class B limit of AS/NZS CISPR 22. The product shall be connected using a shielded network cable (STP) that is properly grounded.

Japan

この装置は、クラスB 情報技術装置です。この装置は、家庭環境で使用することを目的としていますが、この装置がラジオやテレビジョン受信機に近接して使用されると、受信障害を引き起こすことがあります。取扱説明書に従って正しい取り扱いをして下さい。本製品は、シールドネットワークケーブル(STP)を使用して接続してください。また適切に接地してください。

Korea

이 기기는 가정용(B급) 전자파 적합 기기로서 주로 가정에서 사용하는 것을 목적으로 하며, 모든 지역에서 사용할 수 있습니다. 적절히 접지된 STP (shielded twisted pair) 케이블을 사용하여 제품을 연결하십시오.

Safety

This product complies with IEC/EN 60950-1, Safety of Information Technology Equipment. If its connecting cables are routed outdoors, the product shall be grounded either through a shielded network cable (STP) or other appropriate method.

The power supply used with this product shall fulfill the requirements for Safety Extra Low Voltage (SELV) and Limited Power Source (LPS) according to IEC/EN/UL 60950-1.

Disposal and Recycling

When this product has reached the end of its useful life, dispose of it according to local laws and regulations. For information about your nearest designated collection point, contact your

local authority responsible for waste disposal. In accordance with local legislation, penalties may be applicable for incorrect disposal of this waste.

Europe



This symbol means that the product shall not be disposed of together with household or commercial waste. Directive 2012/19/EU on waste electrical and electronic equipment (WEEE) is applicable in the European Union member states. To prevent potential harm to human health and the environment, the product must be disposed of in an approved and environmentally safe recycling process. For information about your nearest designated collection point, contact your local authority responsible for waste disposal. Businesses should contact the product supplier for information about how to dispose of this product correctly.

This product complies with the requirements of Directive 2011/65/EU on the restriction of the use of certain hazardous substances in electrical and electronic equipment (RoHS).

China



This product complies with the requirements of the legislative act Administration on the Control of Pollution Caused by Electronic Information Products (ACPEIP).

Contact Information

Axis Communications AB
Emdalvägen 14
223 69 Lund
Sweden

Tel: +46 46 272 18 00

Fax: +46 46 13 61 30

www.axis.com

Support

Should you require any technical assistance, please contact your Axis reseller. If your questions cannot be answered immediately, your reseller will forward your queries through the appropriate channels to ensure a rapid response. If you are connected to the Internet, you can:

- download user documentation and software updates
- find answers to resolved problems in the FAQ database. Search by product, category, or phrase
- report problems to Axis support staff by logging in to your private support area
- chat with Axis support staff
- visit Axis Support at www.axis.com/techsup/

Learn More!

Visit Axis learning center www.axis.com/academy/ for useful trainings, webinars, tutorials and guides.

Safety Information

Read through this Installation Guide carefully before installing the product. Keep the Installation Guide for future reference.

Hazard Levels

⚠ DANGER

Indicates a hazardous situation which, if not avoided, will result in death or serious injury.

⚠ WARNING

Indicates a hazardous situation which, if not avoided, could result in death or serious injury.

⚠ CAUTION

Indicates a hazardous situation which, if not avoided, could result in minor or moderate injury.

NOTICE

Indicates a situation which, if not avoided, could result in damage to property.

Other Message Levels

Important

Indicates significant information which is essential for the product to function correctly.

Note

Indicates useful information which helps in getting the most out of the product.

Safety Instructions

NOTICE

- The Axis product shall be used in compliance with local laws and regulations.
- To use the Axis product outdoors, or in similar environments, it shall be installed in an approved outdoor housing.
- Store the Axis product in a dry and ventilated environment.
- Avoid exposing the Axis product to shocks or heavy pressure.
- Do not install the product on unstable brackets, surfaces or walls.
- Use only applicable tools when installing the Axis product. Using excessive force with power tools could cause damage to the product.
- Do not use chemicals, caustic agents, or aerosol cleaners.
- Use a clean cloth dampened with pure water for cleaning.
- Use only accessories that comply with technical specification of the product. These can be provided by Axis or a third party.
- Use only spare parts provided by or recommended by Axis.
- Do not attempt to repair the product by yourself. Contact Axis support or your Axis reseller for service matters.
- The power supply shall be plugged in to a socket outlet installed near the product and shall be easily accessible.

Transportation

NOTICE

- When transporting the Axis product, use the original packaging or equivalent to prevent damage to the product.

Installation Guide

This Installation Guide provides instructions for installing AXIS M1054 Network Camera on your network. For other aspects of using the product, see the User Manual available at www.axis.com

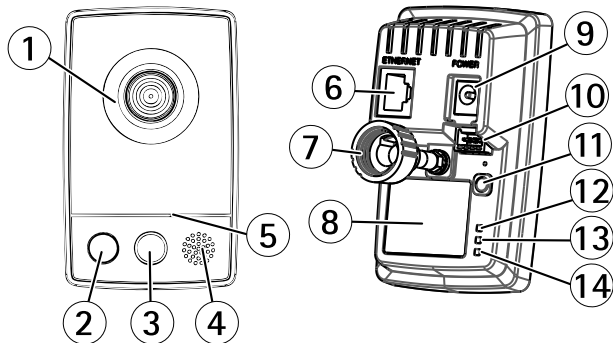
Installation Steps

1. Make sure the package contents, tools and other materials necessary for the installation are in order. See *page 7*.
2. Study the hardware overview. See *page 8*.
3. Study the specifications. See *page 11*.
4. Install the hardware. See *page 15*.
5. Access the product. See *page 18*.

Package Contents

- AXIS M1054 Network Camera
- Indoor power adaptor (Europe, UK, USA/Japan, Australia, Korea, Argentina, China)
 - PS-V, or
 - PS-H (including power adaptor extension cable 1.8 m (5.9 ft))
- Extension tube
 - Attached short extension tube, 4 mounting screws and plugs
 - 1 long extension tube, 1 cable clip, 1 tube joint
- Flexible clamp (for shelf mounting)
- Printed materials
 - Installation Guide (this document)
 - Extra serial number label (2x)
 - AVHS Authentication key

Hardware Overview



- 1 Lens with Status LED indicator
- 2 Light (white illumination LED)
- 3 PIR sensor
- 4 Speaker (full duplex)
- 5 Microphone (full duplex)
- 6 Network connector (RJ45)
- 7 Lock ring
- 8 Part number (P/N) & Serial number (S/N)
- 9 Power connector
- 10 I/O terminal connector
- 11 Control button
- 12 Power LED indicator
- 13 Network LED indicator
- 14 Wireless LED indicator (activated on wireless models only)

LED Indicators

Note

- The Status LED can be configured to be unlit during normal operation. To configure, go to **Setup > System Options > Ports & Devices > LED**. See the online help for more information.
- The Status LED can be configured to flash while an event is active.
- The Status LED can be configured to flash for identifying the unit. Go to **Setup > System Options > Maintenance** .

Status LED	Indication
Green	Steady green for normal operation.
Amber	Steady during startup and when restoring settings.
Red	Flashes red for firmware upgrade failure.

Network LED	Indication
Green	Steady for connection to a 100 Mbit/s network. Flashes for network activity.
Amber	Steady for connection to a 10 Mbit/s network. Flashes for network activity.
Unlit	No network connection.

Power LED	Indication
Green	Normal operation.
Amber	Flashes green/amber during firmware upgrade.

PIR Sensor

The PIR (Passive Infrared) sensor detects motion by measuring changes in infrared light. The sensor can for example be used in low-light environments where video motion detection is not reliable. When configured, the camera can automatically switch on the light when triggered by the PIR sensor.

For more information on how to use the PIR sensor in action rules, see the User Manual available on www.axis.com

Connectors and Buttons

For specifications and operating conditions, see *page 11*.

Network Connector

RJ45 Ethernet connector with Power over Ethernet (PoE).

NOTICE

The product shall be connected using a shielded network cable (STP). All cables connecting the product to the network shall be intended for their specific use. Make sure that the network devices are installed in accordance with the manufacturer's instructions. For information about regulatory requirements, see *Electromagnetic Compatibility (EMC) on page 2*.

I/O Connector

Use with external devices in combination with, for example, tampering alarms, motion detection, event triggering, time lapse recording and alarm

notifications. In addition to the 0 V DC reference point and power (DC output), the I/O connector provides the interface to:

- **Digital output** – For connecting external devices such as relays and LEDs. Connected devices can be activated by the VAPIX® Application Programming Interface, output buttons on the Live View page or by an Action Rule. The output will show as active (shown under **System Options > Ports & Devices**) if the alarm device is activated.
- **Digital input** – An alarm input for connecting devices that can toggle between an open and closed circuit, for example: PIRs, door/window contacts, glass break detectors, etc. When a signal is received the state changes and the input becomes active (shown under **System Options > Ports & Devices**).

Power Connector

Mini DC connector. Use the supplied adapter.

Control Button

For location of the control button, see *Hardware Overview on page 8*.

The control button is used for:

- Resetting the product to factory default settings. See *page 19*.
- Connecting to an AXIS Video Hosting System service or AXIS Internet Dynamic DNS Service. For more information about these services, see the User Manual.

Specifications

Operating Conditions

This Axis product is intended for indoor use.

AXIS M1054 Network Camera

Product	Temperature	Humidity
AXIS M1054	0 °C to 40 °C (32 °F to 104 °F)	20–80% RH (non-condensing)

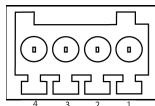
Power Consumption

Product	DC	PoE
AXIS M1054	4.9–5.1 V DC Max. 6.5 W	Power over Ethernet IEEE 802.3af/IEEE 802.3at Type 1 Class 2 Max. 6.49 W

Connectors

I/O Connector

4-pin terminal block



For an example diagram, see *Connection Diagrams* on page 14.

Func-tion	Pin	Notes	Specifications
0VDC(-)	1		

DC output	2	Can be used to power auxiliary equipment. Note: This pin can only be used as power out.	3.3 V DC Max load = 50 mA
Digital Input	3	Connect to pin 1 to activate, or leave floating (unconnected) to deactivate.	0 to max 40 V DC
Digital Output	4	Connected to pin 1 when activated, floating (unconnected) when deactivated. If used with an inductive load, e.g. a relay, a diode must be connected in parallel with the load, for protection against voltage transients.	0 to max 40 V DC, open drain, 100 mA

PIR Sensor

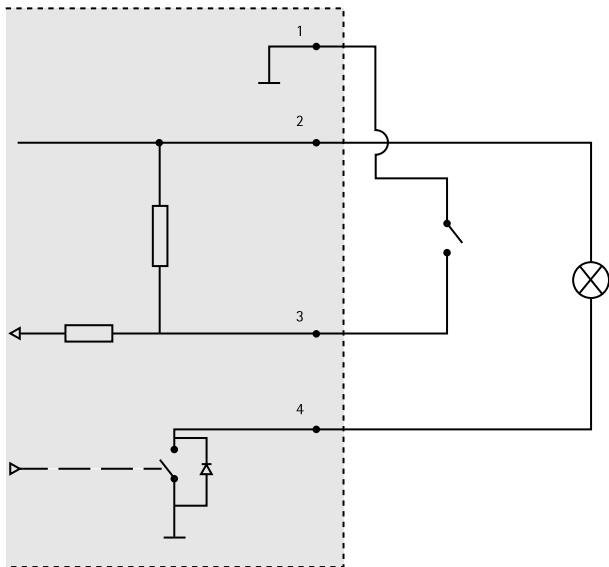
Product	Sensitivity range
AXIS M1054	5 m (16 ft)

Illumination LED

Product	Type	Power	Classification
AXIS M1054	White illumination LED	1 W	Class 1M

Connection Diagrams

I/O Connector



- 1 0 V DC (-)
- 2 DC output 3.3 V, max 50 mA
- 3 Digital input 0 to max 40 V DC
- 4 Digital output 0 to max 40 V DC, open drain, 100 mA

Install the Hardware

⚠ CAUTION

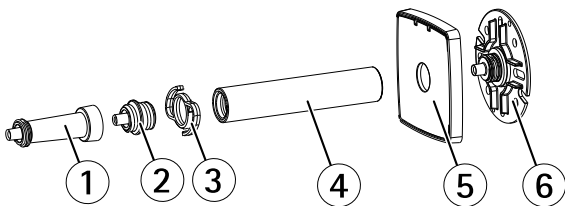
This Axis product is intended for indoor use.

This product is shipped with a base plate and a short extension tube mounted. Unscrew the extension tube to release the base plate from the cover plate. Depending on whether the camera is to be mounted on a wall or shelf, follow the appropriate instructions below.

- To install the product using the wall mount, see *page 15*.
- To install the product using the shelf mount, see *page 17*.

Mount the Camera on a Wall

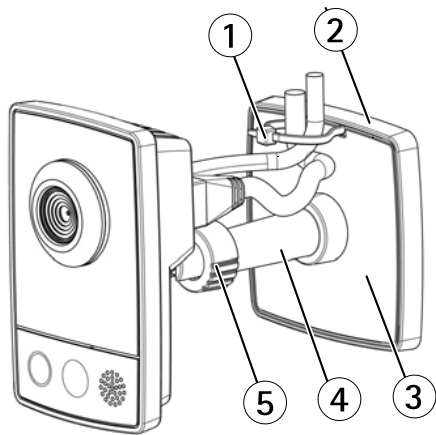
1. Using the supplied screws, fix the base plate to a flat (horizontal or vertical) surface.
2. Place the cover plate over the base plate. If needed, attach the short extension tube and/or one or more of the long extension tubes provided.



- 1 Short extension tube
- 2 Tube joint
- 3 Cable clip
- 4 Long extension tube
- 5 Base cover

6 Base plate

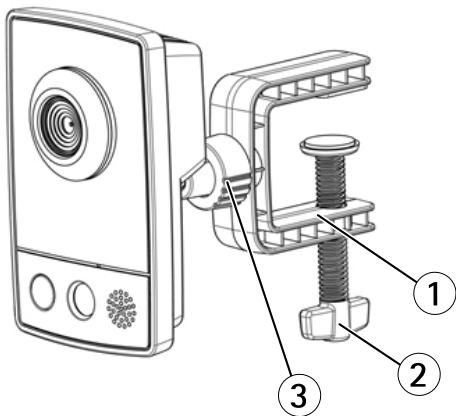
3. Attach the camera, adjust the angle and tighten the lock ring.
4. Connect the cables, see *page 18*.
5. Once connected, secure the cables with the cable tie that is attached to the cover plate.



- 1 Cable tie
- 2 Base plate
- 3 Cover plate
- 4 Extension tube (optional)
- 5 Lock ring

Mount the Camera on a Shelf

1. Position the clamp and tighten the fixing screw securely.
2. Attach the camera's lock ring to the clamp, adjust the camera's angle and tighten the lock ring.
3. Connect the cables, see *page 18*.



- 1 *Clamp*
- 2 *Fixing screw*
- 3 *Lock ring*

Connect the Cables

NOTICE

The product shall be connected using a shielded network cable (STP). All cables connecting the product to the network shall be intended for their specific use. Make sure that the network devices are installed in accordance with the manufacturer's instructions. For information about regulatory requirements, see *Electromagnetic Compatibility (EMC) on page 2*.

For location of the connectors, see *Hardware Overview on page 8*.

1. Connect input/output devices to the supplied connector block. Once the cables are connected, attached the connector block to the I/O connector on the camera.
2. Connect a shielded network cable to the network connector.
3. Connect the supplied power adaptor to the camera's power connector. If PoE is used, skip this step.
4. Check that the indicator LEDs indicate the correct conditions, see *page 9*. Note that some LEDs can be disabled and may be unlit.

Access the Product

AXIS IP Utility and AXIS Camera Management are recommended methods for finding Axis products on the network and assigning them IP addresses in Windows®. Both applications are free and can be downloaded from www.axis.com/techsup

The product can be used with most operating systems and browsers. The recommended browsers are

- Internet Explorer® with Windows®
- Safari® with OS X®
- Chrome™ or Firefox® with other operating systems.

For more information about using the product, see the User Manual available at www.axis.com

Reset to Factory Default Settings

Important

Reset to factory default should be used with caution. A reset to factory default will reset all settings, including the IP address, to the factory default values.

Note

The installation and management software tools are available from the support pages on www.axis.com/techsup

To reset the product to the factory default settings:

1. Disconnect power from the product.
2. Press and hold the control button and reconnect power. See *Hardware Overview on page 8*.
3. Keep the control button pressed for 15–30 seconds until the status LED indicator flashes amber.
4. Release the control button. The process is complete when the status LED indicator turns green. The product has been reset to the factory default settings. If no DHCP server is available on the network, the default IP address is 192 . 168 . 0 . 90
5. Using the installation and management software tools, assign an IP address, set the password, and access the video stream.

It is also possible to reset parameters to factory default via the web interface. Go to **Setup > System Options > Maintenance**.

Further Information

For the latest version of this document, see www.axis.com

The User Manual is available at www.axis.com

Visit www.axis.com/techsup to check if there is updated firmware available for your network product. To see the currently installed firmware version, go to **Setup > About**.

Visit Axis learning center www.axis.com/academy for useful trainings, webinars, tutorials and guides.

Warranty Information

For information about Axis' product warranty and thereto related information, see www.axis.com/warranty/

Informations sur la sécurité

Lisez attentivement ce guide d'installation avant d'installer l'appareil. Conservez le guide d'installation pour toute référence ultérieure.

Niveaux de risques

⚠ DANGER

Indique une situation dangereuse qui, si elle n'est pas évitée, entraînera le décès ou des blessures graves.

⚠ AVERTISSEMENT

Indique une situation dangereuse qui, si elle n'est pas évitée, pourrait entraîner le décès ou des blessures graves.

⚠ ATTENTION

Indique une situation dangereuse qui, si elle n'est pas évitée, pourrait entraîner des blessures légères ou modérées.

AVIS

Indique une situation qui, si elle n'est pas évitée, pourrait endommager l'appareil.

Autres niveaux de message

Important

Indique les informations importantes, nécessaires pour assurer le bon fonctionnement de l'appareil.

Note

Indique les informations utiles qui permettront d'obtenir le fonctionnement optimal de l'appareil.

Consignes de sécurité

AVIS

- Le produit Axis doit être utilisé conformément aux lois et réglementations locales en vigueur.
- Pour pouvoir utiliser le produit Axis à l'extérieur, ou dans des environnements similaires, il doit être installé dans un boîtier d'extérieur homologué.
- Conserver ce produit Axis dans un environnement sec et ventilé.
- Ne pas exposer ce produit Axis aux chocs ou aux fortes pressions.
- Ne pas installer ce produit sur des supports, surfaces ou murs instables.
- Utiliser uniquement des outils recommandés pour l'installation de l'appareil Axis. L'application d'une force excessive sur l'appareil avec des outils puissants pourrait l'endommager.
- Ne pas utiliser de produits chimiques, de substances caustiques ou de nettoyeurs pressurisés.
- Utiliser un chiffon propre imbibé d'eau pure pour le nettoyage.
- Utiliser uniquement des accessoires conformes aux caractéristiques techniques du produit. Ils peuvent être fournis par Axis ou un tiers.
- Utiliser uniquement les pièces de rechange fournies ou recommandées par Axis.
- Ne pas essayer de réparer ce produit par vous-même. Contacter l'assistance technique d'Axis ou votre revendeur Axis pour des problèmes liés à l'entretien.
- L'alimentation électrique doit être branchée à une prise de courant installée près de l'équipement et être facilement accessible.

Transport

AVIS

- Lors du transport du produit Axis, utilisez l'emballage d'origine ou un équivalent pour éviter d'endommager le produit.

Guide d'installation

Ce guide d'installation vous explique comment installer la caméra réseau AXIS M1054 sur votre réseau. Pour toute autre information relative à l'utilisation du produit, consultez le manuel de l'utilisateur disponible sur le site www.axis.com

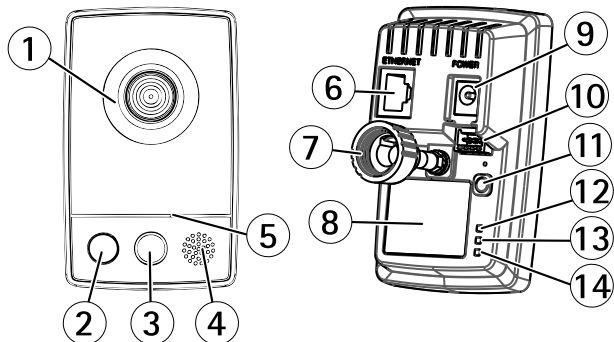
Procédures d'installation

1. Assurez-vous que les outils et autres matériels nécessaires à l'installation sont inclus dans l'emballage. Cf. *page 24*.
2. Consultez la description du matériel. Cf. *page 25*.
3. Étudiez les caractéristiques. Cf. *page 29*.
4. Installez le matériel. Cf. *page 33*.
5. Utilisez le produit. Cf. *page 36*.

Contenu de l'emballage

- Caméra réseau AXIS M1054
- Adaptateur secteur d'intérieur (Europe, Royaume-Uni, États-Unis/Japon, Australie, Corée, Argentine, Chine)
 - PS-V, ou
 - PS-H (dont prolongateur de câble de 1,8 m (5,9 pi))
- Tube d'extension
 - Tube d'extension court fixé, 4 vis et chevilles de fixation
 - 1 tube d'extension long, 1 clip pour câble, 1 joint pour tube
- Pince flexible (pour montage sur tablette)
- Documents imprimés
 - Guide d'installation (ce document)
 - Étiquette supplémentaire de numéro de série (x2)
 - Clé d'authentification AVHS

Aperçu du matériel



- 1 Objectif avec voyant d'état
- 2 Lumière (éclairage blanc)
- 3 Capteur infrarouge passif
- 4 Haut-parleur (duplex intégral)
- 5 Microphone (duplex intégral)
- 6 Connecteur réseau (RJ45)
- 7 Bague de blocage
- 8 Référence (P/N) et numéro de série (S/N).
- 9 Connecteur d'alimentation
- 10 Connecteur pour terminal E/S
- 11 Bouton de commande
- 12 Voyant DEL d'alimentation
- 13 Voyant DEL réseau
- 14 Voyant DEL sans fil (activé sur les modèles sans fil uniquement).

Voyants

Note

- Le voyant d'état peut être éteint pendant le fonctionnement normal. Pour ce faire, rendez-vous dans **Setup > System Options > Ports & Devices > LED (Configuration > Options système > Ports et dispositifs > DEL)**. Consultez l'aide en ligne pour plus d'informations.
- Le voyant d'état peut clignoter lorsqu'un événement est actif.
- Le voyant d'état peut clignoter pendant l'identification de l'appareil. Rendez-vous dans **Setup (Configuration) > System Options (Options du système) > Maintenance (Maintenance)**.

Voyant d'état	Indication
Vert	Vert fixe en cas de fonctionnement normal.
Orange	Fixe pendant le démarrage et lors de la restauration des paramètres.
Rouge	Clignote en rouge en cas d'échec de la mise à niveau du microprogramme.

Voyant DEL réseau	Indication
Vert	Fixe en cas de connexion à un réseau de 100 Mbits/s. Clignote en cas d'activité réseau.

Orange	Fixe en cas de connexion à un réseau de 10 Mbits/s. Clignote en cas d'activité réseau.
Éteint	Pas de connexion réseau.

Voyant d'alimentation	Indication
Vert	Fonctionnement normal.
Orange	Le voyant vert/orange clignote pendant la mise à niveau du microprogramme.

Capteur infrarouge passif

Le capteur infrarouge passif détecte le mouvement en mesurant les modifications dans la lumière infrarouge. Le capteur peut être utilisé, par exemple, dans des environnements à faible luminosité où la détection de mouvement vidéo n'est pas fiable. Selon la configuration, la caméra peut automatiquement allumer la lumière en cas de déclenchement du capteur infrarouge passif.

Pour plus d'informations sur l'utilisation du capteur PIR dans les règles d'action, consultez le manuel disponible à l'adresse suivante : www.axis.com

Connecteurs et boutons

Pour les caractéristiques et les conditions d'utilisation, consultez *page 29*.

Connecteur réseau

Connecteur Ethernet RJ45 avec l'alimentation par Ethernet (PoE).

AVIS

Le produit doit être connecté à l'aide d'un câble réseau blindé (STP). Tous les câbles reliant le produit au commutateur réseau doivent être destinés à leur usage spécifique. Assurez-vous que les périphériques réseau sont installés conformément aux instructions du fabricant. Pour plus d'informations sur les exigences réglementaires, consultez *Electromagnetic Compatibility (EMC) on page 2*.

Connecteur d'E/S

Utilisez-le avec des périphériques externes associés aux applications telles que les alarmes de détérioration, la détection de mouvement, le déclenchement d'événements, l'enregistrement à intervalles et les notifications d'alarme. En plus du point de référence 0 V CC et de l'alimentation (sortie CC), le connecteur d'E/S fournit une interface aux éléments suivants :

- **Sortie numérique** – Permet de connecter des dispositifs externes, comme des relais ou des voyants. Les appareils connectés peuvent être activés par l'interface de programmation VAPIX®, des boutons de sortie sur la page Live View (Vidéo en direct) ou par une règle d'action. La sortie est considérée comme étant active (comme indiqué dans **System Options > Ports & Devices (Options du système > Ports et dispositifs)**) si le dispositif d'alarme est activé.
- **Entrée numérique** – Entrée d'alarme utilisée pour connecter des dispositifs pouvant passer d'un circuit ouvert à un circuit fermé, par exemple : détecteurs infrarouge passifs, contacts de porte/fenêtre, détecteurs de bris de verre, etc. À la réception d'un signal, l'état change et l'entrée s'active (sous **System Options > Ports & Devices (Options du système > Ports et dispositifs)**).

Connecteur d'alimentation

Mini-connecteur CC Utilisez l'adaptateur fourni.

Bouton de commande

Pour connaître l'emplacement du bouton de commande, consultez *Aperçu du matériel* page 25.

Le bouton de commande permet de réaliser les opérations suivantes :

- Réinitialisation du produit aux paramètres d'usine par défaut. Cf. *page 37*.
- Connexion au service du Système d'hébergement vidéo AXIS ou au service AXIS Internet Dynamic DNS. Pour plus d'informations sur ces services, reportez-vous au Manuel de l'utilisateur.

Caractéristiques techniques

Conditions d'utilisation

Cet appareil Axis est uniquement destiné à une utilisation en intérieur.

Produit	Température	Humidité
AXIS M1054	0 °C à 40 °C (32 °F à 104 °F)	Humidité relative de 20 à 80% (sans condensation)

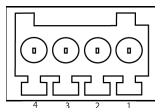
Consommation électrique

Produit	CC	PoE
AXIS M1054	4,9–5,1 V CC Max. 6,5 W	Alimentation par Ethernet IEEE 802.3af/IEEE 802.3at Type 1 Classe 2 Max. 6,49 W

Connecteurs

Connecteur d'E/S

Bloc terminal à 4 broches



Pour un exemple de schéma, consultez *Schémas de connexion page 32*.

Fonction	Broche	Remarques	Caractéristiques
0VCC(-)	1		
Sortie CC	2	Peut servir à alimenter le matériel auxiliaire. Remarque : cette broche ne peut être utilisée que comme sortie d'alimentation.	3,3 V CC Charge max. = 50 mA

Entrée numérique	3	Connectez-la à la broche 1 pour l'activer ou laissez-la flotter (déconnectée) pour la désactiver.	0 à 40 V CC
Sortie numérique	4	Connectée à la broche 1 lorsqu'elle est activée, flotte (déconnectée) lorsqu'elle est désactivée. Si vous l'utilisez avec une charge inductive, par exemple un relais, une diode doit être connectée en parallèle avec la charge, en guise de protection contre les tensions transitoires.	0 à 40 V CC max., drain ouvert, 100 mA

Capteur infrarouge passif

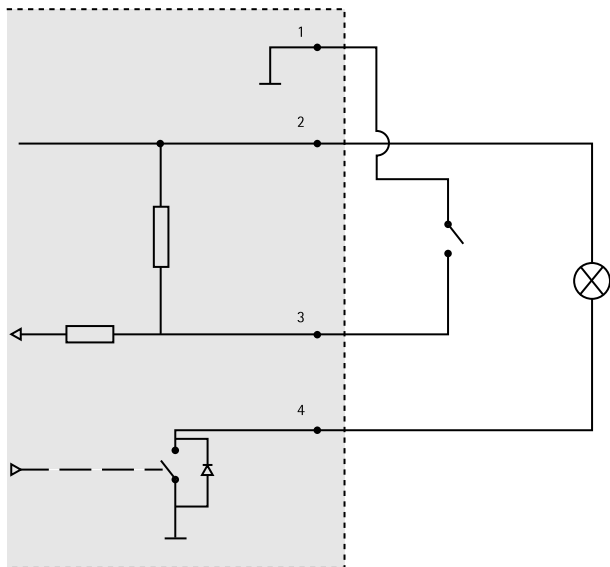
Produit	Plage de sensibilité :
AXIS M1054	5 m (16 pi.)

Voyant éclairage

Produit	Type	Alimentation	Classification
AXIS M1054	Éclairage blanc	1 W	Classe 1M

Schémas de connexion

Connecteur d'E/S



- 1 0 V CC (-)
- 2 Sortie CC 3,3 V, maxi. 50 mA
- 3 Entrée numérique 0 à max. 40 V CC
- 4 Entrée numérique 0 à max. 40 V CC, drain ouvert, max. 100 mA

Installation du matériel

⚠ ATTENTION

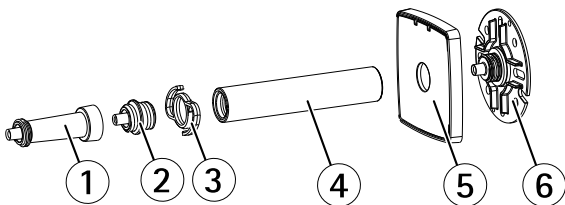
Cet appareil Axis est uniquement destiné à une utilisation en intérieur.

Ce produit est fourni avec un socle et un tube d'extension court montés. Dévissez le tube d'extension de manière à libérer le socle de la plaque supérieure. Suivez les consignes ci-après pour le montage mural ou sur étagère de la caméra, selon le type d'installation prévu.

- Pour installer l'appareil à l'aide d'une fixation murale, reportez-vous à *page 33*.
- Pour installer l'appareil à l'aide d'un montage sur étagère, reportez-vous à *page 35*.

Montage de la caméra au mur

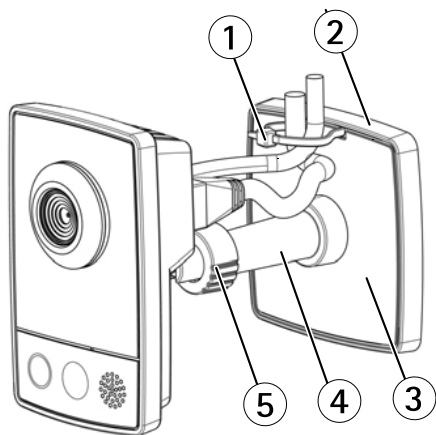
1. Fixez le socle sur une surface plane (horizontale ou verticale) à l'aide des vis fournies.
2. Placez la plaque supérieure sur le socle. Si nécessaire, fixez le tube d'extension court et/ou une ou plusieurs des tubes d'extension longs fournis.



- 1 Tube d'extension court
- 2 Joint pour tube

- 3 *Clip pour câble*
- 4 *Tube d'extension long*
- 5 *Socle*
- 6 *Socle*

- 3. Fixez la caméra, réglez l'angle et serrez la bague de blocage.
- 4. Pour brancher les câbles, consultez *page 36*.
- 5. Une fois le branchement effectué, fixez les câbles à l'aide de l'attache-câbles relié à la plaque supérieure.

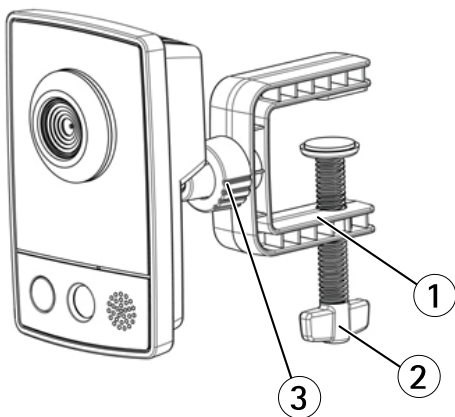


- 1 *Frette de câbles*
- 2 *Socle*
- 3 *Plaque supérieure*
- 4 *Tube d'extension (en option)*

5 Bague de blocage

Montage de la caméra sur une étagère

1. Positionnez la pince et serrez solidement la vis de fixation.
2. Fixez la bague de blocage de la caméra sur la pince, réglez l'angle de la caméra et serrez la bague de blocage.
3. Pour brancher les câbles, consultez *page 36*.



- 1 *Pince*
- 2 *Vis de fixation*
- 3 *Bague de blocage*

Branchement des câbles

AVIS

Le produit doit être connecté à l'aide d'un câble réseau blindé (STP). Tous les câbles reliant le produit au commutateur réseau doivent être destinés à leur usage spécifique. Assurez-vous que les périphériques réseau sont installés conformément aux instructions du fabricant. Pour plus d'informations sur les exigences réglementaires, consultez *Electromagnetic Compatibility (EMC) on page 2*.

Pour connaître l'emplacement des connecteurs, consultez *Aperçu du matériel page 25*.

1. Pour connecter des périphériques d'entrée ou de sortie au bloc de connexion, procédez comme suit : Une fois les câbles branchés, reliez le bloc connecteur au connecteur d'E/S de la caméra.
2. Connectez un câble réseau blindé au connecteur réseau.
3. Branchez l'adaptateur secteur fourni sur le connecteur d'alimentation de la caméra. Passez cette étape si l'alimentation PoE est utilisée.
4. Vérifiez que les voyants DEL indiquent le bon état de fonctionnement, consultez *page 26*. Notez que certains voyants peuvent être désactivés et donc éteints.

Utilisez le produit

Si vous souhaitez rechercher des produits Axis sur le réseau ou leur affecter des adresses IP sous Windows®, nous recommandons l'utilisation des applications AXIS IP Utility et AXIS Camera Management. Ces deux applications sont gratuites et peuvent être téléchargées depuis www.axis.com/techsup

Le produit peut être utilisé avec la plupart des systèmes d'exploitation et des navigateurs. Les navigateurs recommandés sont

- Internet Explorer® avec Windows®,
- Safari® avec OS X®
- Chrome™ ou Firefox® avec les autres systèmes d'exploitation.

Pour plus d'informations concernant l'utilisation du produit, consultez le manuel de l'utilisateur disponible sur le site www.axis.com

Réinitialisation aux paramètres d'usine par défaut

Important

La réinitialisation aux paramètres par défaut doit être utilisée avec prudence. Cette opération reconfigure tous les paramètres, y compris l'adresse IP, aux valeurs d'usine par défaut.

Note

Les logiciels d'installation et de gestion sont disponibles sur les pages d'assistance du site www.axis.com/techsup

Pour réinitialiser l'appareil aux paramètres d'usine par défaut :

1. Déconnectez l'alimentation de l'appareil.
2. Maintenez le bouton de commande enfoncé et remettez l'appareil sous tension. Consultez *Aperçu du matériel* page 25.
3. Maintenez le bouton de commande enfoncé pendant 15 à 30 secondes, jusqu'à ce que le voyant d'état passe à l'orange et clignote.
4. Relâchez le bouton de commande. Le processus est terminé lorsque le voyant d'état passe au vert. Les paramètres d'usine par défaut de l'appareil ont été rétablis. En l'absence d'un serveur DHCP sur le réseau, l'adresse IP par défaut est 192.168.0.90.
5. Utilisez les outils d'installation et de gestion pour attribuer une adresse IP, configurer le mot de passe et accéder au flux de données vidéo.

Il est également possible de rétablir les paramètres d'usine à partir de l'interface Web. Accédez à **Setup > System Options > Maintenance (Configuration > Options du système > Maintenance)**.

Pour obtenir plus de renseignements

Pour la dernière version de ce document, consultez le site www.axis.com

Le Manuel de l'utilisateur est disponible à l'adresse suivante :
www.axis.com

Consultez le site www.axis.com/techsup pour vérifier si des mises à jour des logiciels sont disponibles pour votre appareil réseau. Pour connaître la version du micrologiciel actuellement installée, reportez-vous à la page **Setup > About (Configuration > À propos de)**.

Visitez le centre d'apprentissage en ligne Axis sur le site www.axis.com/academy pour en savoir plus sur les formations, les webinaires, les tutoriels et les guides.

Informations sur la garantie

Pour obtenir de plus amples informations sur la garantie du produit AXIS et des renseignements connexes, allez sur le site www.axis.com/warranty/

Sicherheitsinformation

Lesen Sie das Installationshandbuch sorgfältig durch bevor sie das Produkt installieren. Bewahren Sie das Installationshandbuch für zukünftige Zwecke auf.

Gefährdungsstufen

⚠ GEFAHR

Weist auf eine gefährliche Situation hin, welche, falls nicht verhindert, zu Tod oder schweren Verletzungen führt.

⚠ WARNUNG

Weist auf eine gefährliche Situation hin, welche, falls nicht verhindert, zu Tod oder schweren Verletzungen führen kann.

⚠ VORSICHT

Weist auf eine gefährliche Situation hin, welche, falls nicht verhindert, zu geringfügiger oder mäßiger Verletzung führen kann.

HINWEIS

Weist auf eine gefährliche Situation hin, welche, falls nicht verhindert, zu Sachschäden führen kann.

Weitere Nachrichtenstufen

Wichtig

Weist auf wichtige Informationen hin, die den richtigen Betrieb des Produkts gewährleisten.

Beachten

Weist auf nützliche Informationen hin, die die optimale Verwendung des Produkts unterstützen.

Sicherheitsanweisungen

HINWEIS

- Die Anwendung des Axis Produkts muss unter Beachtung der örtlich geltenden rechtlichen Bestimmungen erfolgen.
- Bei der Anwendung von Axis Produkten im Außenbereich oder ähnlichen Umgebungen, müssen diese in zugelassenen Außengehäusen installiert werden.
- Lagern Sie das Axis Produkt in einer trockenen und belüfteten Umgebung.
- Achten Sie darauf, dass das Axis Produkt weder Stößen noch starkem Druck ausgesetzt ist.
- Installieren Sie das Produkt nicht an instabilen Halterungen, Oberflächen oder Wänden.
- Verwenden Sie bei der Installation des Axis Produkts ausschließlich passende Werkzeuge. Ein zu großer Kraftaufwand mit elektrischen Werkzeugen kann das Produkt beschädigen.
- Verwenden Sie keine chemischen, ätzenden oder aerosolhaltigen Reinigungsmittel.
- Verwenden Sie zum Reinigen ein sauberes, mit lauwarmem Wasser angefeuchtetes Tuch.
- Verwenden Sie nur Zubehör, das den technischen Daten des Produkts entspricht. Dieses ist von Axis oder Drittanbietern erhältlich.
- Verwenden Sie ausschließlich Ersatzteile die von Axis bereitgestellt oder empfohlen werden.
- Versuchen Sie nicht, das Produkt selbstständig zu reparieren. Wenden Sie sich bezüglich Reparatur und Wartung an den Axis Support oder Ihren Axis Händler.
- Das Netzteil sollte an eine Steckdose in der Nähe des Produkts angeschlossen werden und sollte leicht zugänglich sein.

Transport

HINWEIS

- Bei Bedarf transportieren Sie das Axis Produkt in der Originalverpackung oder einer entsprechenden Verpackung, so dass Schäden vermieden werden.

Installationsanleitung

In dieser Anleitung wird die Installation der AXIS M1054-Netzwerk-Kamera in Ihrem Netzwerk beschrieben. Weitere Informationen zur Nutzung dieses Produkts finden Sie im Benutzerhandbuch unter www.axis.com.

Installationsschritte

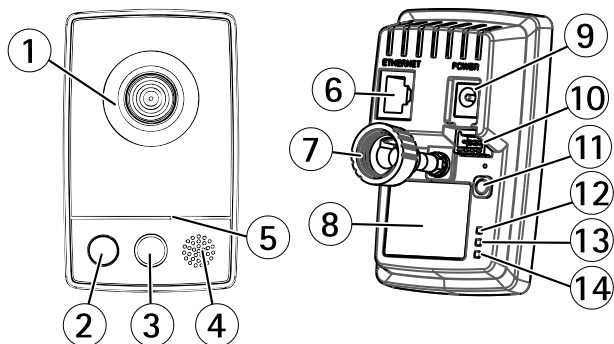
1. Stellen Sie sicher, dass die Packungsinhalte, Werkzeuge und andere notwendige Materialien für die Installation in Ordnung sind. Siehe *Seite 42*.
2. Machen Sie sich mit der Hardware-Übersicht vertraut. Siehe *Seite 43*.
3. Machen Sie sich mit den technischen Daten vertraut. Siehe *Seite 47*.
4. Installieren Sie die Hardware. Siehe *Seite 51*.
5. Greifen Sie auf das Produkt zu. Siehe *Seite 55*.

Lieferumfang

- AXIS M1054-Netzwerk-Kamera
- Netzadapter für Innenräume (Europa, Großbritannien, USA/Japan, Australien, Korea, Argentinien, China)
 - PS-V oder
 - PS-H (einschließlich Verlängerungskabel 1,8 m)
- Verlängerungsrohr
 - Montiertes kurzes Verlängerungsrohr, 4 Befestigungsschrauben und Dübel
 - 1 langes Verlängerungsrohr, 1 Kabelklemme, 1 Rohrverbindung
- Flexible Halterung (für Regalmontage)
- Gedruckte Dokumente
 - Installationsanleitung (dieses Dokument)
 - Zusätzliche Etiketten mit der Seriennummer (2x)

- AVHS-Authentifizierungsschlüssel

Übersicht über die Hardware



- 1 *Objektiv mit LED-Statusanzeige*
- 2 *Leuchte (weiße Beleuchtungs-LED)*
- 3 *PIR-Sensor*
- 4 *Lautsprecher (Vollduplex)*
- 5 *Mikrofon (Vollduplex)*
- 6 *Netzwerkanschluss (RJ-45)*
- 7 *Verschlussring*
- 8 *Bestellnummer (P/N) und Seriennummer (S/N)*
- 9 *Netzanschluss*
- 10 *E/A-Klemmanschluss*
- 11 *Steuertaste*
- 12 *LED-Betriebsanzeige*
- 13 *LED-Netzwerkanzeige*
- 14 *WLAN-LED-Anzeige (ist nur bei drahtlosen Modellen aktiviert)*

LEDs

Beachten

- Die Status-LED kann so eingestellt werden, dass sie während des Normalbetriebs nicht leuchtet. Diese Konfiguration können Sie unter **Setup > System Options > Ports & Devices > LED (Setup > Systemoptionen > Anschlüsse & Geräte > LED)** einstellen. Weitere Informationen finden Sie in der Online-Hilfe.
- Die Status-LED kann so eingestellt werden, dass sie blinkt, wenn ein Ereignis aktiv ist.
- Die Status-LED kann so eingestellt werden, dass sie blinkt, wenn die Einheit erkannt wird. Rufen Sie **Setup > System Options > Maintenance (Setup > Systemoptionen > Wartung)** auf.

Status-LED	Bedeutung
Grün	Leuchtet bei Normalbetrieb grün.
Gelb	Leuchtet beim Start und beim Wiederherstellen der Einstellungen.
Rot	Blinkt rot bei einem Fehler während der Firmware-Aktualisierung.

Netzwerk-LED	Bedeutung
Grün	Leuchtet bei Verbindung mit einem 100 MBit/s-Netzwerk. Blinkt bei Netzwerkaktivität.
Gelb	Leuchtet bei Verbindung mit einem 10 MBit/s-Netzwerk. Blinkt bei Netzwerkaktivität.
Leuchtet nicht	Keine Netzwerkverbindung vorhanden.

Netz-LED	Bedeutung
Grün	Normaler Betrieb.
Gelb	Blinkt grün/gelb bei der Firmware-Aktualisierung.

PIR-Sensor

Der PIR-Sensor (passiver Infrarot-Sensor) erkennt Bewegungen durch Änderungen im Infrarotbereich. Der Sensor kann beispielsweise bei schlechten Lichtbedingungen eingesetzt werden, bei denen die Videobewegungserkennung nicht zuverlässig funktioniert. Sie können die Kamera so konfigurieren, dass über den PIR-Sensor automatisch die Beleuchtung eingeschaltet wird.

Weitere Informationen zur Verwendung des PIR-Sensors mit Aktionsregeln finden Sie im Benutzerhandbuch unter www.axis.com.

Anschlüsse und Tasten

Für die technischen Daten und Betriebsbedingungen siehe *Seite 47*.

Netzwerkanschluss

RJ-45-Ethernetanschluss mit Power over Ethernet (PoE).

HINWEIS

Das Produkt muss mit einem abgeschirmten Netzwerkkabel (STP) angeschlossen werden. Alle Kabel, die das Produkt mit dem Netzwerkschwitch verbinden, müssen hierfür ausgelegt sein. Stellen Sie sicher, dass die Netzwerkgeräte gemäß den Anweisungen des Herstellers installiert wurden. Informationen zu gesetzlichen Bestimmungen finden Sie unter *Electromagnetic Compatibility (EMC) on page 2*.

E/A-Anschluss

Zur Verwendung mit externen Geräten in Verbindung mit Manipulationsalarmen, Bewegungserkennung, Ereignisauslösung, Zeitrafferaufnahmen, Alarmbenachrichtigungen usw. Abgesehen vom 0 V DC-Bezugspunkt und einer Stromquelle (Gleichstromausgang) verfügt die E/A-Klemmenleiste über eine Schnittstelle zu:

- **Digitalausgang** – Zum Anschluss externer Geräte wie Relais und LEDs. Angeschlossene Geräte können über die VAPIX® Application Programming Interface (Programmierschnittstelle) über die Schaltflächen für den Ausgang auf der Seite „Live View“ oder durch eine Aktionsregel aktiviert werden. Der Ausgang wird als aktiv (siehe **System Options > Ports & Devices (Systemoptionen > Anschlüsse & Geräte)**) angezeigt, wenn das Alarmmeldegerät aktiviert ist.
- **Digitaleingang** – Alarmeingang für den Anschluss von Geräten, die zwischen geöffnetem und geschlossenem Schaltkreis wechseln können, z. B.: PIR-Sensoren, Tür-/Fensterkontakte, Glasbruchmelder usw. Bei Empfang eines Signals ändert sich der Status und der Eingang wird aktiviert (siehe **System Options > Ports & Devices (Systemoptionen > Anschlüsse & Geräte)**).

Netzanschluss

Mini-Gleichstromanschluss. Verwenden Sie den mitgelieferten Adapter.

Steuertaste

Die Steuertaste befindet sich an folgender Stelle: *Übersicht über die Hardware auf Seite 43.*

Die Steuertaste hat folgende Funktionen:

- Zurücksetzen des Produkts auf die Werkseinstellungen. Siehe *Seite 56.*
- Verbinden mit einem AXIS Video Hosting System-Service oder einem AXIS Internet Dynamic DNS-Service. Weitere

Informationen zu diesen Diensten finden Sie in der Bedienungsanleitung.

Technische Daten

Betriebsbedingungen

Dieses Axis Produkt ist für die Verwendung in Innenräumen ausgelegt.

Produkt	Temperatur	Luftfeuchtigkeit
AXIS M1054	0 °C bis 40 °C	20 bis 80 %relative Luftfeuchtigkeit (nicht kondensierend)

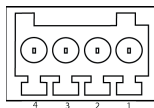
Stromverbrauch

Produkt	Gleichstrom	PoE
AXIS M1054	4,9–5,1 V DC Max. 6,5 W	Power over Ethernet IEEE 802.3af/IEEE 802.3at Typ 1 Klasse 2 Max. 6,49 W

Anschlüsse

E/A-Anschluss

4-poliger Anschlussblock



Ein Beispielschaltbild finden Sie unter *Anschlusschaltbilder* auf Seite 50.

Funktion	Kontakt	Hinweise	Technische Daten
0VDC (-)	1		
Gleichstromausgang	2	Kann für die Stromversorgung von Zusatzgeräten verwendet werden. Hinweis: Dieser Kontakt kann nur für den Stromausgang verwendet werden.	3,3 V DC Max. Stromstärke = 50 mA

Digital- eingang	3	Zum Aktivieren mit Kontakt 1 verbinden; zum Deaktivieren nicht anschließen.	0 bis max. 40V DC
Digital- ausgang	4	Bei Aktivierung mit Kontakt 1 verbunden; wenn deaktiviert: frei (nicht verbunden). Bei Verwendung mit einer induktiven Last, z. B. einem Relais, muss parallel zur Last zum Schutz vor Spannungsspitzen eine Diode zwischengeschaltet werden.	0 bis max. 40V DC, Open Drain, 100 mA

PIR-Sensor

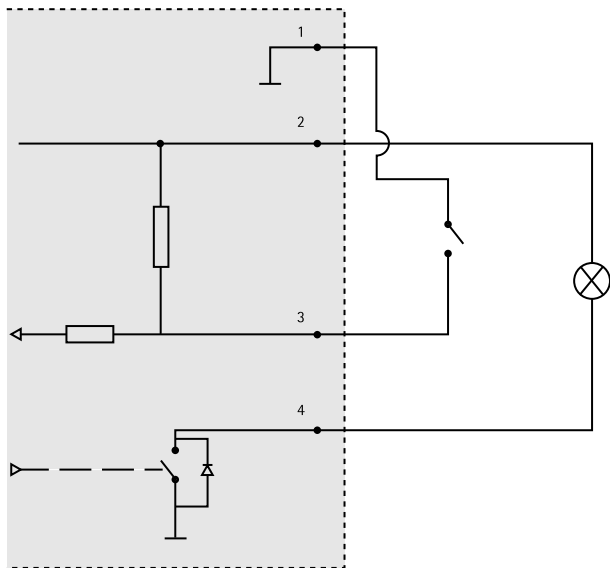
Produkt	Reichweite
AXIS M1054	5 m

Beleuchtungs-LED

Produkt	Typ	Stromver- sorgung	Klassifikation
AXIS M1054	Weißer Beleuchtungs- LED	1 W	Klasse 1M

Anschlusschaltbilder

E/A-Anschluss



- 1 0 V DC (-)
- 2 DC-Ausgang 3,3 V, max. 50 mA
- 3 Digitaleingang 0 bis max. 40 V DC
- 4 Digitalausgang 0 bis max. 40 V DC, Open Drain, 100 mA

Installieren der Hardware

⚠VORSICHT

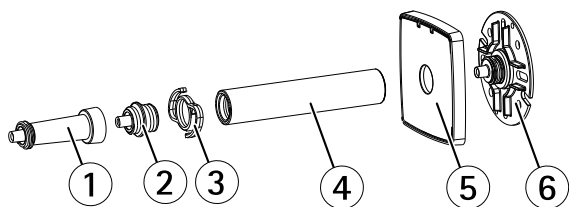
Dieses Axis Produkt ist für die Verwendung in Innenräumen ausgelegt.

Dieses Produkt wird mit einer Grundplatte und einem vormontierten kurzen Verlängerungsrohr ausgeliefert. Schrauben Sie das Verlängerungsrohr ab und nehmen Sie die Grundplatte von der Abdeckplatte ab. Befolgen Sie abhängig davon, ob Sie die Kamera an der Wand oder an einem Regal anbringen möchten, die entsprechenden nachstehenden Anweisungen.

- Weitere Informationen zur Installation des Produkts bei Wandmontage finden Sie unter *Seite 51*.
- Weitere Informationen zur Installation des Produkts bei Regalmontage finden Sie unter *Seite 53*.

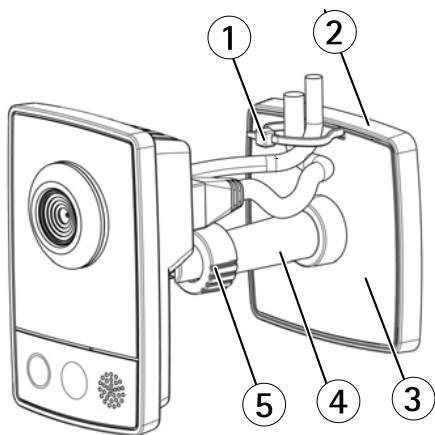
Montage der Kamera an einer Wand

1. Verwenden Sie die mitgelieferten Schrauben, um die Grundplatte an einer horizontalen oder vertikalen ebenen Fläche zu montieren.
2. Legen Sie die Abdeckplatte auf die Grundplatte. Montieren Sie bei Bedarf das kurze Verlängerungsrohr und/oder eines oder mehrere der mitgelieferten langen Verlängerungsrohre.



- 1 Kurzes Verlängerungsrohr
- 2 Rohrverbindung
- 3 Kabelklemme
- 4 Langes Verlängerungsrohr
- 5 Grundabdeckung
- 6 Grundplatte

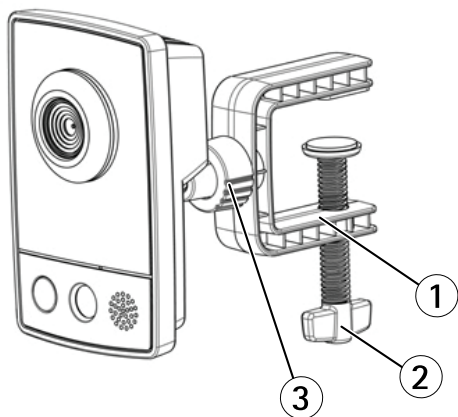
3. Bringen Sie die Kamera an, stellen Sie den gewünschten Winkel ein und drehen Sie den Verschlussring fest.
4. Schließen Sie die Kabel an, siehe Seite 54.
5. Sichern Sie die Kabel nach dem Anschließen mit dem an der Grundplatte befestigten Kabelbinder.



- 1 Kabelbinder
- 2 Grundplatte
- 3 Abdeckplatte
- 4 Verlängerungsrohr (optional)
- 5 Verschlussring

Montage der Kamera an einem Regal

1. Bringen Sie die Halterung in die richtige Position und ziehen Sie die Befestigungsschraube fest.
2. Befestigen Sie den Verschlussring der Kamera an der Halterung, stellen Sie den gewünschten Winkel ein und drehen Sie den Verschlussring fest.
3. Schließen Sie die Kabel an, siehe Seite 54.



- 1 Halterung
- 2 Befestigungsschraube
- 3 Verschlussring

Anschließen der Kabel

HINWEIS

Das Produkt muss mit einem abgeschirmten Netzkabel (STP) angeschlossen werden. Alle Kabel, die das Produkt mit dem Netzwerkschwitch verbinden, müssen hierfür ausgelegt sein. Stellen Sie sicher, dass die Netzwerkgeräte gemäß den Anweisungen des Herstellers installiert wurden. Informationen zu gesetzlichen Bestimmungen finden Sie unter *Electromagnetic Compatibility (EMC)* on page 2.

Die Position der Anschlüsse finden Sie unter: *Übersicht über die Hardware auf Seite 43.*

1. Schließen Sie Eingabe-/Ausgabegeräte an den mitgelieferten Anschlussblock an. Wenn alle Kabel angeschlossen sind, verbinden Sie den Anschlussblock mit dem E/A-Anschluss an der Kamera.
2. Schließen Sie ein abgeschirmtes Netzwerkkabel an den Netzwerkanschluss an.
3. Schließen Sie den mitgelieferten Netzadapter an den Netzanschluss der Kamera an. Überspringen Sie diesen Schritt, wenn Sie PoE verwenden.
4. Überprüfen Sie, ob die LED-Anzeigen die Betriebszustände korrekt angeben. Siehe *Seite 44*. Beachten Sie, dass LEDs deaktiviert sein können und deshalb nicht leuchten.

Zugriff auf das Produkt

Für die Suche nach Axis Produkten im Netzwerk und zur Zuweisung einer IP-Adresse unter Windows® werden AXIS IP Utility und AXIS Camera Management empfohlen. Beide Anwendungen sind kostenlos und können von unserer Website unter www.axis.com/techsup heruntergeladen werden.

Das Produkt ist mit den meisten Standard-Betriebssystemen und Browsern kompatibel. Empfohlen werden die Browser

- Internet Explorer® unter Windows®
- Safari® unter OS X®
- Chrome™ oder Firefox® unter anderen Betriebssystemen

Weitere Informationen zur Nutzung dieses Produkts finden Sie im Benutzerhandbuch unter www.axis.com.

Zurücksetzen auf Werkseinstellungen

Wichtig

Das Zurücksetzen auf die Werkseinstellungen sollte mit Vorsicht verwendet werden. Beim Zurücksetzen auf die Werkseinstellungen werden alle Einstellungen einschließlich der IP-Adresse auf die Werkseinstellungen zurückgesetzt.

Beachten

Die Software-Tools für Installation und Verwaltung sind über die Supportseiten unter www.axis.com/techsup verfügbar.

So wird das Produkt auf die Werkseinstellungen zurückgesetzt:

1. Trennen Sie das Produkt von der Stromversorgung.
2. Halten Sie die Steuertaste gedrückt und stecken Sie den Netzstecker wieder ein. Siehe *Übersicht über die Hardware auf Seite 43*.
3. Halten Sie die Steuertaste etwa 15 bis 30 Sekunden gedrückt, bis die LED-Statusanzeige gelb blinkt.
4. Lassen Sie die Steuertaste los. Der Vorgang ist abgeschlossen, wenn die LED-Statusanzeige grün leuchtet. Das Produkt wurde auf die Werkseinstellungen zurückgesetzt. Wenn kein DHCP-Server im Netzwerk verfügbar ist, lautet die Standard-IP-Adresse 192.168.0.90.
5. Verwenden Sie die Software-Tools für Installation und Verwaltung, um eine IP-Adresse zuzuweisen, ein Kennwort einzurichten und auf den Videostream zuzugreifen.

Die Parameter können auch über die Weboberfläche auf die Werkseinstellungen zurückgesetzt werden. Rufen Sie **Setup > System Options > Maintenance (Setup > Systemoptionen > Wartung)** auf.

Weitere Informationen

Unter www.axis.com finden Sie die neuste Version dieses Dokuments.

Das Benutzerhandbuch steht unter www.axis.com zur Verfügung.

Unter www.axis.com/techsup finden Sie Firmware-Aktualisierungen für Ihre Netzwerkprodukte. Um die aktuell installierte Firmware-Version zu sehen, gehen Sie auf **Setup > About (Setup > Über)**.

Besuchen Sie das Axis-Schulungszentrum www.axis.com/academy für anregende Schulungen, Webinare, Lernprogramme und Anleitungen.

Gewährleistungsinformationen

Informationen zur Gewährleistung der Axis Produkte und andere, hierzu relevante Informationen, finden Sie unter www.axis.com/warranty/

Informazioni di sicurezza

Leggere con attenzione questa guida all'installazione prima di installare il dispositivo. Conservare questo documento per usi futuri.

Livelli di pericolo

⚠ PERICOLO

Indica una situazione pericolosa che, se non evitata, provoca morte o lesioni gravi.

⚠ AVVERTENZA

Indica una situazione pericolosa che, se non evitata, può provocare la morte o lesioni gravi.

⚠ ATTENZIONE

Indica una situazione pericolosa che, se non evitata, può provocare lesioni medie o minori.

AVISO

Indica una situazione che, se non evitata, può danneggiare la proprietà.

Altri livelli di messaggio

Importante

Indica informazioni importanti, essenziali per il corretto funzionamento del dispositivo.

Nota

Indica informazioni utili che aiutano ad ottenere il massimo risultato dal dispositivo.

Informazioni di sicurezza

AWISO

- Il dispositivo Axis deve essere utilizzato in conformità alle leggi e alle disposizioni locali.
- Per utilizzare il dispositivo Axis in ambienti esterni, o in ambienti simili, deve essere installato in una custodia per esterni approvata.
- Conservare il dispositivo Axis in un ambiente asciutto e ventilato.
- Evitare di esporre il dispositivo Axis a urti o pressioni eccessive.
- Non installare il dispositivo su supporti, superfici o pareti instabili.
- Utilizzare solo strumenti applicabili quando si installa il dispositivo Axis. Se si utilizza una forza eccessiva con strumenti non adatti è possibile causare danni al dispositivo.
- Non utilizzare sostanze chimiche, agenti caustici o detergenti aerosol.
- Utilizzare un panno pulito inumidito in acqua pura per la pulizia.
- Utilizzare solo accessori compatibili con le specifiche tecniche del dispositivo. Questi possono essere forniti da Axis o da terze parti.
- Utilizzare solo parti di ricambio fornite o consigliate da Axis.
- Non tentare di riparare il dispositivo da soli. Contattare l'assistenza o il rivenditore Axis per questioni relative alla manutenzione.
- L'alimentazione sarà collegata alla presa installata vicino al dispositivo e sarà facilmente accessibile.

Trasporto

AVISO

- Durante il trasporto del dispositivo Axis, utilizzare l'imballaggio originale o equivalente per evitare danni al dispositivo.

Guida all'installazione

La presente guida all'installazione fornisce le istruzioni necessarie per installare la telecamera AXIS M1054 nella rete in uso. Per ulteriori informazioni sull'utilizzo del dispositivo, consultare la guida per l'utente disponibile all'indirizzo www.axis.com

Procedura di installazione

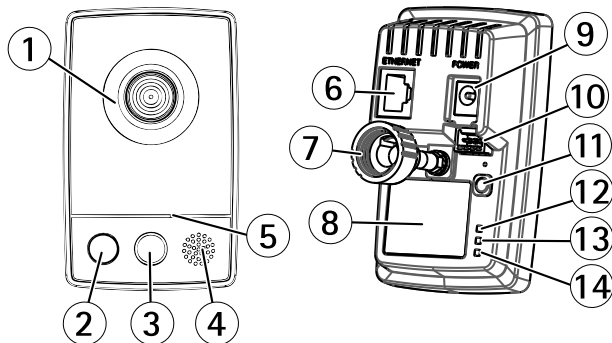
1. Assicurarsi che il contenuto della confezione, gli strumenti e altri materiali necessari per l'installazione siano in ordine. Consultare *pagina 62*.
2. Studiare la descrizione dell'hardware. Consultare *pagina 63*.
3. Studiare le specifiche. Consultare *pagina 67*.
4. Installare l'hardware. Consultare *pagina 71*.
5. Accedere al dispositivo. Consultare *pagina 74*.

Contenuto della confezione

- Telecamera di rete AXIS M1054
- Alimentatore per interni (Europa/GB, USA/Giappone, Australia, Corea, Argentina, Cina)
 - PS-V o
 - PS-H (incluso cavo di prolunga per alimentatore da 1,8 m (5,9 ft))
- Tubo di prolunga
 - Tubo di prolunga breve applicato, 4 viti e tasselli di montaggio
 - 1 tubo di prolunga lunghi, 1 molletta per cavo, 1 giunzione per tubo
- Molletta flessibile (per montaggio su una mensola)
- Materiali stampati
 - Guida all'installazione (questo documento)

- Etichetta aggiuntiva con numero di serie (2)
- Chiave di autenticazione AVHS

Panoramica dell'hardware



- 1 Obiettivi con indicatore LED di stato
- 2 Luce (LED illuminazione bianco)
- 3 Sensore PIR
- 4 Altoparlante (full duplex)
- 5 Microfono (full duplex)
- 6 Connettore di rete (RJ45)
- 7 Anello di bloccaggio
- 8 Codice dispositivo (N/P) e numero di serie (N/S)
- 9 Connettore di alimentazione
- 10 Connettore per morsetti I/O
- 11 Pulsante di comando
- 12 Indicatore LED di alimentazione
- 13 Indicatore LED di rete

14 *Indicatore LED wireless (attivato solo sui modelli wireless)*

Indicatori LED

Nota

- Lo stato del LED può essere configurato per essere spento durante il normale funzionamento. Per configurarlo, selezionare **Setup (Configurazione) > System Options (Opzioni di sistema) > Ports Et Devices (Porte Et Dispositivi) > LED**. Per ulteriori informazioni, consultare l'aiuto in linea.
- Il LED di stato può essere configurato per lampeggiare quando un evento è attivo.
- Il LED di stato può essere configurato per lampeggiare per identificare l'unità. Andare su **Setup > System Options > Maintenance (Configurazione > Opzioni di sistema > Manutenzione)**.

LED di stato	Indicazione
Verde	Luce verde fissa: condizioni di normale utilizzo.
Giallo	Fissa durante l'avvio e quando si ripristinano le impostazioni.
Rosso	Lampeggia in rosso se l'aggiornamento del firmware non è andato a buon fine.

LED di rete	Indicazione
Verde	Luce fissa per connessione di rete a 100 Mbit/s. Luce lampeggiante: attività di rete.

Giallo	Luce fissa per connessione di rete a 10 Mbit/s. Luce lampeggiante: attività di rete.
Spento	Assenza di connessione.

LED di alimentazione	Indicazione
Verde	Normale utilizzo.
Giallo	Luce lampeggiante verde/gialla: aggiornamento firmware.

Sensore PIR

Il sensore PIR (Infrarosso passivo) rileva il movimento misurando le modifiche nella luce ad infrarossi. Il sensore può essere ad esempio utilizzato in ambienti con poca luce in cui il rilevamento di oggetti in movimento nel video non è affidabile. Quando è configurata, la telecamera può accendere automaticamente la luce quando è attivata dal sensore PIR.

Per ulteriori informazioni su come utilizzare il sensore PIR nelle regole di azione, consultare la Guida per l'utente disponibile all'indirizzo www.axis.com

Connettori e pulsanti

Per le specifiche e le condizioni di funzionamento, consultare *pagina 67*.

Connettore di rete

Connettore Ethernet RJ45 con Power over Ethernet (PoE+).

AWISO

Collegare il dispositivo con un cavo di rete schermato (STP). Tutti i cavi che collegano il dispositivo alla rete sono destinati al loro uso specifico. Accertarsi che i dispositivi di rete siano installati secondo le istruzioni del produttore. Per maggiori informazioni sui requisiti normativi, consultare *Electromagnetic Compatibility (EMC)* on page 2.

Connettore I/O

Utilizzare con dispositivi esterni in combinazione con, ad esempio, allarmi antimanomissione, rilevazione del movimento, attivazione di eventi, registrazione temporizzata e notifiche di allarme. Oltre al punto di riferimento 0 V CC e all'alimentazione (uscita CC), il connettore I/O fornisce l'interfaccia per:

- **Uscita digitale** – Per collegare dispositivi esterni come relè o LED. Le periferiche collegate possono essere attivate tramite VAPIX® API (interfaccia per la programmazione di applicazioni), tramite i pulsanti di comando della pagina Live View (Immagini dal vivo) oppure tramite l'opzione Action Rule (regola di azione). L'uscita verrà visualizzata come attiva (visualizzata in **Opzioni di Sistema > Porte e Dispositivi**) se il dispositivo di allarme è attivato.
- **Ingresso digitale** – Ingresso allarme utilizzabile per collegare le periferiche, che può passare dal circuito chiuso al circuito aperto, ad esempio: Sensori di movimento (PIR), contatti porta/finestra, rilevatori di rottura vetri e così via. Dopo la ricezione del segnale lo stato cambia e l'ingresso diventa attivo (visualizzato in **System Options > Ports & Devices (Opzioni di Sistema > Porte e Dispositivi)**).

Connettore di alimentazione

Connettore Mini DC. Utilizzare l'adattatore fornito.

Pulsante di comando

Per l'ubicazione del pulsante di comando, vedere *Panoramica dell'hardware alla pagina 63*.

Il pulsante di comando viene utilizzato per:

- Ripristino del dispositivo alle impostazioni predefinite di fabbrica. Consultare *pagina 75*.
- Collegamento a un servizio AXIS Video Hosting System o AXIS Internet Dynamic DNS Service. Per ulteriori informazioni su questi servizi, consultare il Manuale Utente.

Dati tecnici

Condizioni di funzionamento

Il dispositivo Axis è destinato all'uso interno.

Dispositivo	Temperatura	Umidità
AXIS M1054	da 0°C a 40°C (Da 32 °F a 104 °F)	20-80% (umidità relativa senza condensa)

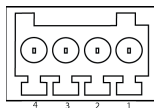
Consumo energetico

Dispositivo	CC	PoE
AXIS M1054	4,9-5,1 V CC Max. 6,5 W	Power over Ethernet IEEE 802.3af/IEEE 802.3at tipo 1 classe 2 Max. 6,49 W

Connettori

Connettore I/O

Morsettiera a 4 pin



Per un esempio di schema, consultare *Schema delle connessioni alla pagina 70*.

Funzione	Per-no	Note	Specifiche
0VCC (-)	1		
Uscita CC	2	Può essere utilizzato anche per alimentare una periferica ausiliaria. Nota: questo pin può essere usato solo come uscita alimentazione.	3,3 V CC Carico massimo = 50 mA

Ingresso digitale	3	Collegare al pin 1 per attivarlo oppure lasciarlo isolato (scollegato) per disattivarlo.	Da 0 a max 40 VCC
Uscita digitale	4	Collegare al pin 1 quando attiva, isolata (scollegata) quando inattiva. Se utilizzata con un carico induttivo, ad esempio un relè esterno, è necessario collegare un diodo in parallelo al carico per proteggere il dispositivo da sovratensioni.	Da 0 a max 40 VCC, open-drain, 100 mA

Sensore PIR

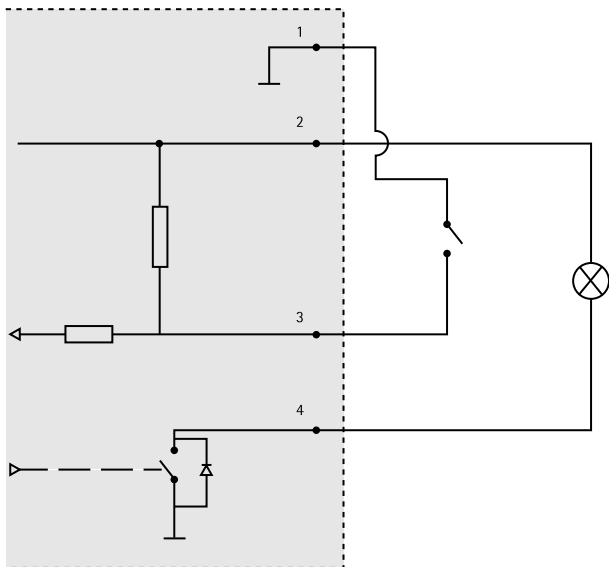
Dispositivo	Intervallo di sensibilità
AXIS M1054	5 m (16 ft)

Illuminazione LED

Dispositivo	Tipo	Alimentazione	Classificazione
AXIS M1054	LED illuminazione bianco	1 W	Classe 1M

Schema delle connessioni

Connettore I/O



- 1 0 V CC (-)
- 2 Uscita CC 3,3 V, max 50 mA
- 3 Ingresso digitale da 0 a max 40 V CC
- 4 Ingresso digitale da 0 a max 40 V CC, open-drain, 100 mA

Installazione dell'hardware

⚠ATTENZIONE

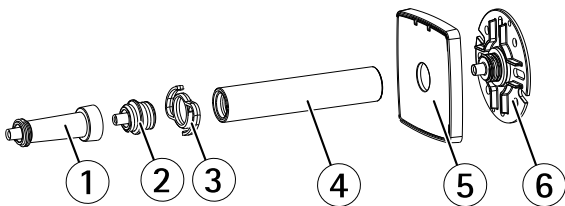
Il dispositivo Axis è destinato all'uso interno.

Questo dispositivo viene spedito con montati la piastra di base e un tubo di prolunga corto. Svitare il tubo di prolunga per sganciare la piastra di base dal coperchio della piastra. A seconda del tipo di montaggio della telecamera, a parete o su una mensola, seguire le relative istruzioni riportate di seguito.

- Per installare il dispositivo utilizzando il sistema di montaggio a parete, consultare *pagina 71*.
- Per installare il dispositivo utilizzando il sistema di montaggio a mensola, consultare *pagina 73*.

Montare la telecamera su una parete

1. Utilizzare le viti fornite per fissare la piastra di base a una superficie piana (orizzontale o verticale).
2. Posizionare il coperchio della piastra sulla piastra di base. Se necessario, applicare il tubo di prolunga corto e/o uno o più dei tubi di prolunga lunghi forniti.

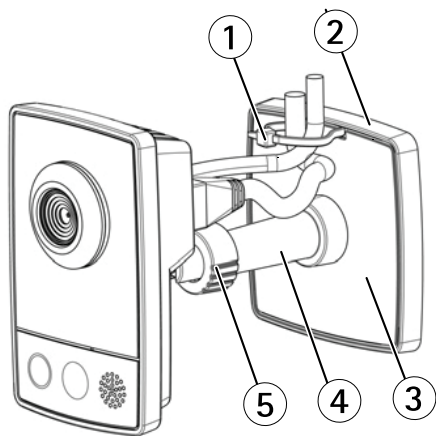


- 1 Tubo di prolunga corto
- 2 Giunzione per i tubi

AXIS M1054 Network Camera

- 3 *Molletta per i cavi*
- 4 *Tubo di prolunga lungo*
- 5 *Coperchio della base*
- 6 *Piastra di base*

- 3. Montare la telecamera, regolare l'angolazione e stringere l'anello di bloccaggio.
- 4. Collegare i cavi, come indicato in *pagina 74*.
- 5. Fissare i cavi dopo averli collegati, utilizzando la fascetta attaccata al coperchio della piastra.

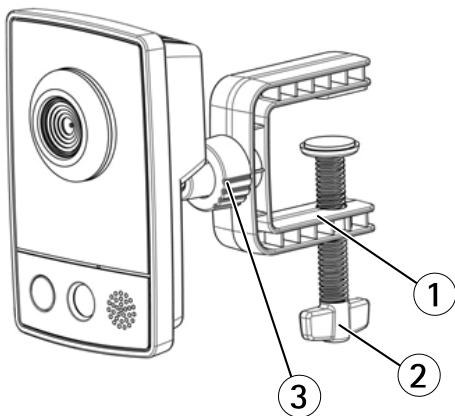


- 1 *Fascetta*
- 2 *Piastra di base*
- 3 *Coperchio della piastra*

- 4 *Tubo di prolunga (facoltativo)*
- 5 *Anello di bloccaggio*

Montare la telecamera su una mensola

1. Posizionare il morsetto e stringere la vite di bloccaggio.
2. Applicare l'anello di bloccaggio della telecamera al morsetto, regolare l'angolazione della telecamera e stringere l'anello di bloccaggio.
3. Collegare i cavi, come indicato in *pagina 74*.



- 1 *Morsetto*
- 2 *Vite di fissaggio*
- 3 *Anello di bloccaggio*

Collegare i cavi

AWISO

Collegare il dispositivo con un cavo di rete schermato (STP). Tutti i cavi che collegano il dispositivo alla rete sono destinati al loro uso specifico. Verificare che i dispositivi di rete siano installati secondo le istruzioni del produttore. Per maggiori informazioni sui requisiti normativi, consultare *Electromagnetic Compatibility (EMC) on page 2*.

Per l'ubicazione dei connettori, vedere *Panoramica dell'hardware alla pagina 63*.

1. Connettere i dispositivi di ingresso/uscita alla morsettiera fornita. Una volta collegati i cavi, connettere il gruppo di cavi alla morsettiera nella telecamera.
2. Collegare il cavo di rete schermato al connettore di rete.
3. Collegare l'alimentatore fornito al connettore di alimentazione della telecamera. Se si utilizza PoE, saltare questa procedura.
4. Verificare che i LED indichino le condizioni di funzionamento corrette, consultare *pagina 64*. Si noti che alcuni LED possono essere disabilitati o spenti.

Accedere al dispositivo

AXIS IP Utility e AXIS Camera Management sono i metodi consigliati per trovare i dispositivi Axis in rete e assegnare loro un indirizzo IP in Windows®. Queste applicazioni sono entrambe gratuite e possono essere scaricate da www.axis.com/techsup

Il dispositivo può essere utilizzato con la maggior parte dei sistemi operativi e dei browser. I browser consigliati sono

- Internet Explorer® con Windows®
- Safari® con OS X®
- Chrome™ o Firefox® con altri sistemi operativi.

Per ulteriori informazioni sull'utilizzo del dispositivo, consultare la Guida per l'utente disponibile sul sito Web www.axis.com

Ripristino dei valori predefiniti di fabbrica

Importante

Il ripristino delle impostazioni di fabbrica deve essere usato con cautela. Un ripristino delle impostazioni di fabbrica consentirà di ripristinare le impostazioni di fabbrica per tutti i parametri, incluso l'indirizzo IP.

Nota

Gli strumenti per l'installazione e la gestione del software sono disponibili nelle pagine dedicate all'assistenza sul sito Web www.axis.com/techsup.

Per ripristinare il dispositivo alle impostazioni predefinite di fabbrica:

1. Scollegare l'alimentazione dal dispositivo.
2. Tenere premuto il pulsante di controllo e ricollegare l'alimentazione. Consultare *Panoramica dell'hardware alla pagina 63*.
3. Tenere premuto il pulsante di controllo per 15-30 secondi fino a quando l'indicatore LED di stato lampeggerà in giallo.
4. Rilasciare il pulsante di comando. Il processo è completo quando il LED di stato diventerà verde. Il dispositivo è stato reimpostato alle impostazioni di fabbrica predefinite. Se nessun server DHCP è disponibile in rete, l'indirizzo IP predefinito è 192.168.0.90.
5. Mediante gli strumenti per l'installazione e la gestione del software, assegnare un indirizzo IP, impostare la password e accedere al flusso video.

È anche possibile reimpostare i parametri alle impostazioni predefinite di fabbrica mediante l'interfaccia Web. Andare a **Setup > System Options > Maintenance (Configurazione > Opzioni di sistema > Manutenzione)**.

Ulteriori Informazioni

Per la versione più recente di questo documento, visitare il sito all'indirizzo www.axis.com

Il Manuale per l'utente è disponibile all'indirizzo www.axis.com

Visitare il sito all'indirizzo www.axis.com/techsup per verificare se sono stati pubblicati aggiornamenti del firmware per il proprio dispositivo di rete. Per conoscere la versione del firmware installata, andare su **Setup > About (Impostazioni > Informazioni su)**.

Visitare il centro di apprendimento Axis alla pagina www.axis.com/academy per servizi di formazione utili, webinar, tutorial e guide.

Informazioni sulla garanzia

Per informazioni sulla garanzia del dispositivo Axis e informazioni ad esso relative, consultare la pagina www.axis.com/warranty/

Información de seguridad

Lea esta Guía de instalación con atención antes de instalar el producto. Guarde la Guía de instalación para poder consultarla en otro momento.

Niveles de peligro

⚠ PELIGRO

Indica una situación peligrosa que, si no se evita, provocará lesiones graves o la muerte.

⚠ ADVERTENCIA

Indica una situación peligrosa que, si no se evita, puede provocar lesiones graves o la muerte.

⚠ ATENCIÓN

Indica una situación peligrosa que, si no se evita, puede provocar lesiones moderadas o leves.

AVISO

Indica una situación peligrosa que, si no se evita, puede provocar daños materiales.

Otros niveles de mensaje

Importante

Indica información importante que es fundamental para que el producto funcione correctamente.

Nota

Indica información útil que ayuda a aprovechar el producto al máximo.

Instrucciones de seguridad

AVISO

- El producto de Axis debe utilizarse de acuerdo con la legislación y la normativa locales.
- Para usar el producto de Axis en exteriores, o en entornos similares, debe instalarse en una carcasa exterior aprobada.
- Almacene el producto de Axis en un entorno seco y ventilado.
- Evite la exposición del producto de Axis a choques o a una fuerte presión.
- No instale el producto en soportes, superficies o paredes inestables.
- Utilice solo las herramientas correspondientes cuando instale el producto de Axis. La aplicación de una fuerza excesiva con herramientas eléctricas puede provocar daños en el producto.
- No utilice limpiadores en aerosol, agentes cáusticos ni productos químicos.
- Limpie con un paño limpio humedecido con agua pura.
- Utilice solo accesorios que cumplan con las especificaciones técnicas del producto. Estos accesorios los puede proporcionar Axis o un tercero.
- Utilice solo piezas de repuesto proporcionadas o recomendadas por Axis.
- No intente reparar el producto usted mismo. Póngase en contacto con el servicio de asistencia técnica de Axis o con su distribuidor de Axis para tratar asuntos de reparación.
- La fuente de alimentación se enchufará a una toma de conector instalada cerca del producto y a la que se podrá acceder fácilmente.

Transporte

AVISO

- Cuando transporte el producto de Axis, utilice el embalaje original o un equivalente para evitar daños en el producto.

Guía de instalación

Esta Guía de instalación incluye las instrucciones necesarias para instalar la cámara de red AXIS M1054 en su red. Para conocer otros aspectos de uso del producto, consulte el Manual del usuario disponible en www.axis.com.

Pasos de la instalación

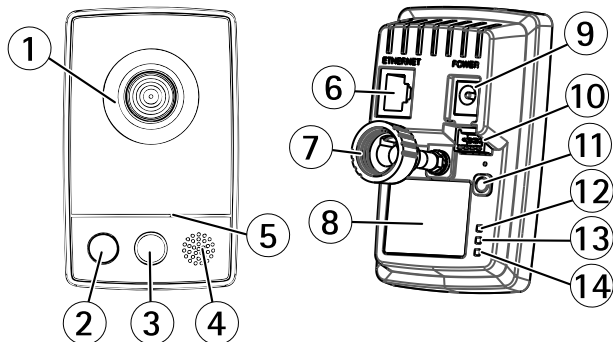
1. Asegúrese de que dispone del contenido del paquete, las herramientas y los demás materiales necesarios para la instalación. *Vea página 80.*
2. Estudie la información general del hardware. *Vea página 81.*
3. Estudie las especificaciones. *Vea página 85.*
4. Instale el hardware. *Vea página 89.*
5. Acceda al producto. *Vea página 92.*

Contenido del paquete

- Cámara de red AXIS M1054
- Adaptador de corriente para interior (Europa, Reino Unido, EE. UU./Japón, Australia, Corea, Argentina, China)
 - PS-V o
 - PS-H (incluye cable de extensión del adaptador de corriente de 1,8 m)
- Tubo de extensión
 - Tubo de extensión corto acoplado, cuatro tornillos y tapones de montaje
 - 1 tubo de extensión largo, 1 clip de cable, 1 junta de tubo
- Abrazadera flexible (para montaje en estantería)
- Materiales impresos
 - Guía de instalación (este documento)
 - Etiquetas adicionales con el número de serie (2)

- Clave de autenticación AVHS

Información general del hardware



- 1 *Objetivos con indicador LED de estado*
- 2 *Luz (iluminación LED blanca)*
- 3 *Sensor de infrarrojos pasivo (PIR)*
- 4 *Altavoz (full dúplex)*
- 5 *Micrófono (full dúplex)*
- 6 *Conector de red (RJ45)*
- 7 *Anillo de bloqueo*
- 8 *Número de pieza (P/N) y número de serie (S/N)*
- 9 *Conector de alimentación*
- 10 *Conector del terminal de E/S*
- 11 *Botón de control*
- 12 *Indicador LED de corriente*
- 13 *Indicador LED de red*
- 14 *Indicador LED de conexión inalámbrica (activado solo en modelos inalámbricos)*

Indicadores LED

Nota

- Se puede configurar el LED de estado para que se apague durante el funcionamiento normal. Para ello, vaya a **Setup > System Options > Ports & Devices > LED (Configuración > Opciones del sistema > Puertos y dispositivos > LED)** . Vea la ayuda en línea para obtener más información.
- Se puede configurar el LED Estado para que parpadee mientras haya un evento activo.
- Se puede configurar el LED de estado para que parpadee e identifique la unidad. Vaya a **Setup > System Options > Maintenance (Configuración > Opciones del sistema > Mantenimiento)**.

LED de estado	Indicación
Verde	Verde fijo para indicar un funcionamiento normal.
Ámbar	Fijo durante el inicio y al restaurar valores de configuración.
Rojo	Parpadea en rojo si se produce un error durante la actualización del firmware.

LED de red	Indicación
Verde	Fijo para indicar una conexión a una red de 100 Mbits/s. Parpadea cuando hay actividad de red.

Ámbar	Fijo para indicar una conexión a una red de 10 Mbits/s. Parpadea cuando hay actividad de red.
Apagado	No hay conexión a la red.

LED de alimentación	Indicación
Verde	Funcionamiento normal.
Ámbar	Parpadea en verde/ámbar durante la actualización del firmware.

Sensor de infrarrojos pasivo (PIR)

El sensor de infrarrojos pasivo (PIR) detecta movimiento midiendo los cambios en la luz infrarroja. Por ejemplo, el sensor se puede utilizar en entornos con poca luz donde la detección de movimiento por vídeo no es fiable. Si se configura, la cámara puede encender la luz automáticamente cuando el sensor PIR la active.

Para obtener más información sobre cómo utilizar el sensor PIR en las reglas de acción, consulte el Manual de usuario disponible en www.axis.com.

Conectores y botones

Para conocer las especificaciones y las condiciones de funcionamiento, vea *página 85*.

Conector de red

Conector Ethernet RJ45 con alimentación a través de Ethernet (PoE).

AVISO

El producto se conectará mediante un cable de red blindado (STP). Todos los cables que conecten el producto a la red deberán estar blindados para su uso específico. Asegúrese de que los dispositivos de red estén instalados en conformidad con las instrucciones del fabricante. Para obtener información sobre los requisitos normativos, vea *Electromagnetic Compatibility (EMC) on page 2*.

Conector de E/S

Se utiliza con dispositivos externos combinados, por ejemplo, con alarmas antimanipulación, detección de movimiento, activación de eventos, grabación de intervalos de tiempo y notificaciones de alarma. Además del punto de referencia de 0 V CC y la potencia (salida de CC), el conector de E/S ofrece la interfaz para:

- **Salida digital:** para conectar dispositivos externos como relés y LED. Los dispositivos conectados se pueden activar mediante la Interfaz de programación de aplicaciones (API) VAPIX®, los botones de salida de la página Live View o mediante una regla de acción. La salida se mostrará activa (se indica en **System Options > Ports & Devices (Opciones del sistema > Puertos y dispositivos)**) si el dispositivo de alarma está activado.
- **Entrada digital:** una entrada de alarma para conectar dispositivos que puedan alternar circuitos cerrados y abiertos, como detectores PIR, contactos de puertas y ventanas, detectores de rotura de cristales, etc. Cuando se recibe una señal, el estado cambia y la entrada se vuelve activa (se indica en **System Options > Ports & Devices (Opciones del sistema > Puertos y dispositivos)**).

Conector de alimentación

Conector mini de CC. Utilice el adaptador suministrado.

Botón de control

Para conocer la ubicación del botón de control, vea *Información general del hardware en la página 81*.

El botón de control se utiliza para lo siguiente:

- Restablecer el producto a la configuración predeterminada de fábrica. Consulte *página 93*.
- Conectarse a un servicio AXIS Video Hosting System o al Servicio de DNS dinámico de Internet de AXIS. Para obtener más información sobre estos servicios, consulte el Manual del usuario.

Especificaciones

Condiciones de funcionamiento

Este producto de Axis se ha creado para su uso en interiores.

Producto	Temperatura	Humedad
AXIS M1054	De -0 °C a 40 °C	Humedad relativa del 20 al 85 % (sin condensación)

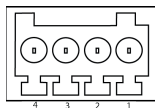
Consumo

Producto	CC	PoE
AXIS M1054	4,9-5,1 V CC 6,5 W máx.	Alimentación a través de Ethernet IEEE 802.3af/IEEE 802.3at Tipo 1 Clase 2 6,49 W máx.

Conectores

Conector de E/S

Bloque de terminales de 4 pines



Para ver un ejemplo del diagrama, consulte *Diagramas de conexión en la página 88*.

Función	Pin	Notas	Especificaciones
0VCC(-)	1		
Salida de CC	2	Se puede utilizar para conectar el equipo auxiliar. Nota: Este pin se puede usar solo como salida.	3,3 V CC Carga máx. = 50 mA
Entrada digital	3	Conéctela al pin 1 para activarla, o bien déjela suelta (desconectada) para desactivarla.	0 a 40 V CC máx.
Salida digital	4	Conectada al pin 1 cuando se activa y suelta (sin conectar) cuando está desactivada. Si se utiliza con una carga inductiva (por ejemplo, un relé), debe conectarse un diodo en paralelo a la carga como protección ante transitorios de tensión.	De 0 a 40 V CC máx., drenaje abierto, 100 mA

Sensor de infrarrojos pasivo (PIR)

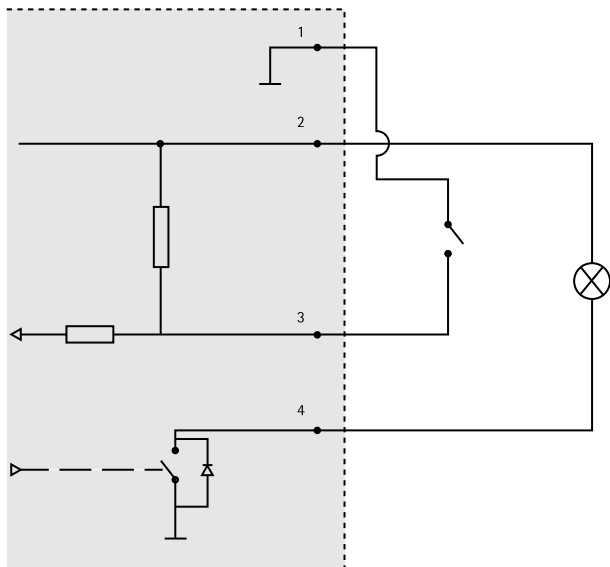
Producto	Rango de sensibilidad
AXIS M1054	5 m

LED de iluminación

Producto	Tipo	Alimentación	Clasificación
AXIS M1054	Iluminación LED blanca	1 W	Clase 1M

Diagramas de conexión

Conector de E/S



- 1 0 V CC (-)
- 2 Salida de CC: 3,3 V, 50 mA máx.
- 3 Entrada digital: de 0 a 40 V CC máx.
- 4 Salida digital: de 0 a 40 V CC máx., colector abierto, 100 mA

Instalación del hardware

⚠ ATENCIÓN

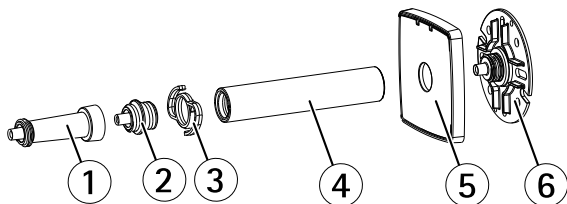
Este producto de Axis se ha creado para su uso en interiores.

Este producto se proporciona con una placa de base y un pequeño tubo de extensión montado. Desatornille el tubo de extensión para liberar la placa de base de la placa de cubierta. En función de si la cámara se va a montar en la pared o en una estantería, siga las instrucciones pertinentes, incluidas a continuación.

- Para instalar el producto utilizando el montaje en pared, vea *página 89*.
- Para instalar el producto utilizando el montaje en estantería, vea *página 91*.

Montaje de la cámara en una pared

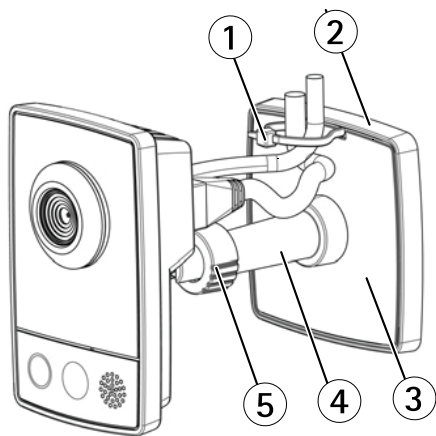
1. Utilice los tornillos proporcionados para fijar la placa de base a una superficie plana (horizontal o vertical).
2. Coloque la placa de cubierta sobre la placa de base. Si es preciso, conecte el tubo de extensión corto o uno o más de los tubos de extensión largos proporcionados.



- 1 *Tubo de extensión corto*
- 2 *Junta del tubo*

- 3 *Clip de cable*
- 4 *Tubo de extensión largo*
- 5 *Cubierta de base*
- 6 *Placa de base*

3. Acople la cámara, ajuste el ángulo y apriete el anillo de bloqueo.
4. Conecte los cables, vea *página 92*.
5. Una vez conectados, fije los cables con la abrazadera acoplada a la placa de cubierta.

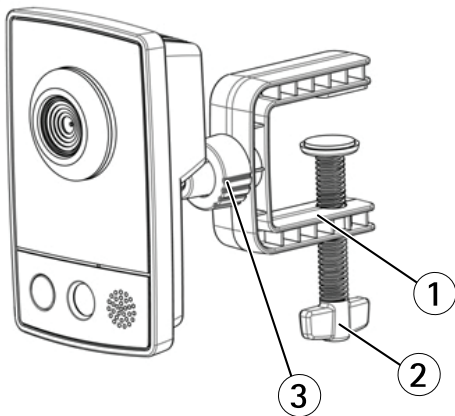


- 1 *Abrazadera de cable*
- 2 *Placa de base*
- 3 *Placa de cubierta*

- 4 *Tubo de extensión (opcional)*
- 5 *Anillo de bloqueo*

Montaje de la cámara en una estantería

1. Coloque la abrazadera y apriete el tornillo de fijación para asegurarla.
2. Acople el anillo de bloqueo de la cámara en la abrazadera, ajuste el ángulo de la cámara y apriete el anillo.
3. Conecte los cables, vea *página 92*.



- 1 *Abrazadera*
- 2 *Tornillo de fijación*
- 3 *Anillo de bloqueo*

Conexión de los cables

AVISO

El producto se conectará mediante un cable de red blindado (STP). Todos los cables que conecten el producto a la red deberán estar blindados para su uso específico. Asegúrese de que los dispositivos de red estén instalados de conformidad con las instrucciones del fabricante. Para obtener información sobre los requisitos normativos, vea *Electromagnetic Compatibility (EMC)* on page 2.

Para conocer la ubicación de los conectores, vea *Información general del hardware* en la *página 81*.

1. Conecte los dispositivos de entrada/salida al bloque de conectores suministrado. Una vez que los cables estén conectados, conecte el bloque de conectores al conector de E/S de la cámara.
2. Conecte un cable de red blindado al conector de red.
3. Conecte el adaptador de corriente suministrado al conector de alimentación de la cámara. Si se utiliza PoE, puede omitir este paso.
4. Compruebe que los indicadores LED indican las condiciones correctas. Vea *página 82*. Tenga en cuenta que algunos LED se pueden desactivar y apagar.

Acceso al producto

Se recomiendan AXIS IP Utility y AXIS Camera Management como métodos para buscar los productos de Axis en la red y asignarles direcciones IP en Windows®. Ambas aplicaciones son gratuitas y pueden descargarse de www.axis.com/techsup

El producto se puede utilizar con la mayoría de los sistemas operativos y navegadores. Los navegadores recomendados son

- Internet Explorer® con Windows®

- Safari® con OS X®
- Chrome™ o Firefox® con otros sistemas operativos.

Para obtener más información sobre el uso del producto, consulte el Manual del usuario, disponible en www.axis.com.

Restablecimiento a la configuración predeterminada de fábrica

Importante

Hay que tener cuidado al restablecer la configuración predeterminada de fábrica. Todos los valores, incluida la dirección IP, se restablecerán a la configuración predeterminada de fábrica.

Nota

Las herramientas del software de instalación y gestión están disponibles en las páginas de asistencia técnica en www.axis.com/techsup.

Para restablecer el producto a la configuración predeterminada de fábrica:

1. Desconecte la alimentación del producto.
2. Mantenga pulsado el botón de control y vuelva a conectar la alimentación. Vea *Información general del hardware en la página 81*.
3. Mantenga pulsado el botón de control durante 15-30 segundos hasta que el indicador LED de estado parpadee en ámbar.
4. Suelte el botón de control. El proceso finaliza cuando el indicador LED de estado se pone verde. El producto se ha restablecido a la configuración predeterminada de fábrica. Si no hay ningún servidor DHCP disponible en la red, la dirección IP predeterminada es 192.168.0.90.
5. Utilice las herramientas del software de instalación y gestión para asignar una dirección IP, establecer la contraseña y acceder a la transmisión de vídeo.

También es posible restablecer los parámetros a los valores predeterminados de fábrica mediante la interfaz web. Para ello, vaya a **Setup > System Options > Maintenance (Configuración > Opciones del sistema > Mantenimiento)**.

Más información

Para consultar la versión más reciente de este documento, vaya a www.axis.com

El Manual de usuario se encuentra disponible en www.axis.com.

Visite www.axis.com/techsup para comprobar si existe un firmware actualizado disponible para su producto de red. Para ver la versión del firmware instalado actualmente, vaya a **Setup > About (Configuración > Acerca de)**.

Visite el centro de aprendizaje de www.axis.com/academy para consultar guías, tutoriales, seminarios web y cursos que pueden resultarle útiles.

Información de garantía

Para obtener más detalles sobre la garantía del producto Axis y la información relacionada con ella, consulte www.axis.com/warranty/

安全情報

本製品を設置する前に、このインストールガイドをよくお読みください。インストールガイドは、後で参照できるように保管しておいてください。

危険レベル

▲危険

回避しない場合、死亡または重傷につながる危険な状態を示します。

▲警告

回避しない場合、死亡または重傷につながるおそれのある危険な状態を示します。

▲注意

回避しない場合、軽傷または中程度の怪我につながるおそれのある危険な状態を示します。

注記

回避しない場合、器物の破損につながるおそれのある状態を示します。

その他のメッセージレベル

重要

製品を正しく機能させるために不可欠な重要情報を示します。

注意

製品を最大限に活用するために役立つ有用な情報を示します。

安全手順

注記

- 本製品は、お使いになる地域の法律や規制に準拠して使用してください。
- 本製品を屋外またはそれに準じる環境で使用する場合は、認定済みの屋外用筐体に収納して設置する必要があります。
- 本製品は乾燥した換気のよい環境に保管してください。
- 本製品に衝撃または強い圧力を加えないでください。
- 本製品を不安定なブラケット、表面、または壁に設置しないでください。
- 本製品を設置するには、適切な工具のみを使用してください。電動工具を使用して過剰な力をかけると、製品が損傷することがあります。
- 化学薬品、腐食剤、噴霧式クリーナーは使用しないでください。
- 清掃には、きれいな水に浸した清潔な布を使用してください。
- 製品の技術仕様に準拠したアクセサリーのみを使用してください。これらのアクセサリーは、Axisまたはサードパーティから入手できます。
- Axisが提供または推奨する交換部品のみを使用してください。
- 製品を自分で修理しないでください。修理については、Axisサポートまたは販売代理店にお問い合わせください。
- 電源は、製品の近くで簡単に手の届く場所にあるコンセントに接続してください。

輸送

注記

- 本製品を運搬する際は、製品が損傷しないよう、元の梱包か同等の梱包を使用してください。

インストールガイド

このインストールガイドでは、AXIS M1054ネットワークカメラをお使いのネットワークにインストールする手順について説明します。製品の使用の詳細については、Axisのホームページ (www.axis.com) でユーザーズマニュアルを参照してください

設置手順

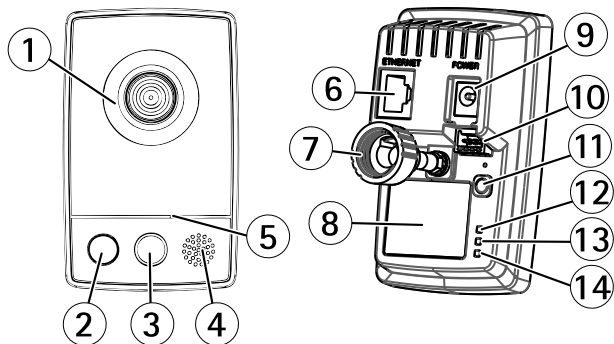
1. パッケージの内容、ツールなど、設置に必要な物がそろっているかを確認します。98ページを参照してください。
2. ハードウェアの概要を確認します。99ページを参照してください。
3. 仕様を確認します。103ページを参照してください。
4. ハードウェアを設置します。107ページを参照してください。
5. 製品にアクセスします。110ページを参照してください。

パッケージの内容

- AXIS M1054ネットワークカメラ
- 室内用電源アダプター (ヨーロッパ、英国、米国/日本、オーストラリア、韓国、アルゼンチン、中国)
 - PS-Vまたは
 - PS-H (電源アダプター延長ケーブル1.8 mを含む)
- 延長チューブ
 - 短い付属延長チューブ、取付用ねじとプラグ (4本)
 - 長い延長チューブ (1本)、ケーブルクリップ (1本)、チューブジョイント (1個)
- フレキシブルクランプ (棚取付用)

- 印刷物
 - インストールガイド (本書)
 - 予備のシリアル番号ラベル (2枚)
 - AVHS認証キー

ハードウェアの概要



- 1 ステータスLEDインジケータ付きレンズ
- 2 照明 (白色LED照明)
- 3 PIRセンサー
- 4 スピーカー (全二重)
- 5 マイク (全二重)
- 6 ネットワークコネクタ (RJ45)
- 7 ロックリング
- 8 型番 (P/N) とシリアル番号 (S/N)
- 9 電源コネクタ
- 10 I/Oターミナルコネクタ
- 11 コントロールボタン

- 12 電源LEDインジケータ
- 13 ネットワークLEDインジケータ
- 14 無線LEDインジケータ (無線モデルの場合のみアクティブ)

LEDインジケータ

注意

- ステータスLEDは、正常動作時に消灯させることができます。設定は、**[Setup - System Options - Ports & Devices - LED] (設定 - システムオプション - ポートとデバイス - LED)**で行います。詳細については、オンラインヘルプを参照してください。
- ステータスLEDは、イベントの発生時に点滅させることができます。
- ステータスLEDを点滅させ、本製品を識別できるように設定することができます。設定は、**[Setup - System Options - Maintenance] (設定 - システムオプション - 保守)**で行います。

ステータスLED	説明
緑	正常動作であれば緑色に点灯します。
黄	起動時、設定の復元時に点灯します。
赤	ファームウェアのアップグレードに失敗すると、赤色で点滅します。

ネットワークLED	説明
緑	100 Mbit/sネットワークに接続している場合、点灯します。ネットワークパケットを送受信した場合、点滅します。
黄	10 Mbit/sネットワークに接続している場合、点灯します。ネットワークパケットを送受信した場合、点滅します。
無点灯	ネットワーク接続なし。

電源LED	説明
緑	正常動作。
黄	ファームウェアアップグレード中は緑と黄の交互点滅。

PIRセンサー

PIR (受動型赤外線) センサーは、赤外光で変化を測定して動きを検知します。このセンサーは、ビデオ動体検知が信頼性のある動作をしない低照度環境などで使用できます。設定が終わると、PIRセンサーのトリガーにより、カメラの照明を自動的にオンにできます。

アクションルールでPIRセンサーを使用する方法の詳細については、Axisのホームページ (www.axis.com) でユーザーズマニュアルを参照してください。

コネクタとボタン

仕様と動作条件については、103ページを参照してください。

ネットワークコネクタ

RJ45イーサネットコネクタ、Power over Ethernet (PoE) 対応。

注記

本製品は、シールドネットワークケーブル (STP) を使用して接続してください。本製品は、用途に合ったケーブルを使用してネットワークに接続してください。ネットワーク装置がメーカーの指示どおりに設置されていることを確認します。法的要件については、*Electromagnetic Compatibility (EMC) on page 2*を参照してください。

I/Oコネクタ

外部装置を接続し、カメラに対するいたずらの警報、動体検知、イベントトリガー、低速度撮影、アラーム通知などを使用することができます。I/Oコネクタは、0V DC基準点と電力 (DC出力) に加えて、以下のインターフェースを提供します。

- **デジタル出力** — リレーやLEDなどの外部デバイスを接続します。接続されたデバイスは、VAPIX®アプリケーションプログラミングインターフェース (API)、[Live View] (ライブビュー) ページの出力ボタン、アクションルールを使用してアクティブにすることができます。アラームデバイスがアクティブな場合、出力がアクティブと表示されます (**System Options > Port & Devices** (システムオプション > ポートとデバイス) で表示)。
- **デジタル入力** — オープンサーキットとクローズサーキットの切り替えが可能なデバイスを接続するためのアラーム入力。たとえば、PIR、ドア/窓の接触、ガラス破壊検知などです。信号を受取ると状態が変化し、入力がアクティブになります (**System Options**

> Ports & Devices (システムオプション > ポートとデバイス) で表示)。

電源コネクタ

ミニDCコネクタ。付属のアダプターを使用します。

コントロールボタン

コントロールボタンの位置については、99ページの、ハードウェアの概要を参照してください。

コントロールボタンは、以下の用途で使用します。

- 製品を工場出荷時の設定にリセットする。111ページを参照してください。
- AXIS Video Hosting SystemサービスまたはAXIS Internet Dynamic DNSサービスに接続する。これらのサービスの詳細については、ユーザーズマニュアルを参照してください。

仕様

動作条件

本製品は屋内用モデルです。

製品	温度	湿度
AXIS M1054	0 ° C ~ 40 ° C	20 ~ 80%RH (結露不可)

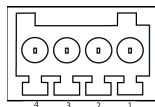
消費電力

製品	DC	PoE
AXIS M1054	4.9～5.1 V DC 最大6.5 W	Power over Ethernet IEEE 802.3af/IEEE 802.3at Type 1 Class 2 最大6.49 W

コネクタ

I/Oコネクタ

4ピンターミナルブロック



接続例の図については、106ページの、接続図を参照してください。

機能	ピン	備考	仕様
0VDC(-)	1		
DC出力	2	補助装置の電源供給に使用できます。 注: このピンは、電源出力としてのみ使用できません。	3.3 V DC 最大負荷 = 50 mA

デジタル入力	3	動作させるにはピン1に接続し、動作させない場合はフロート状態(未接続)のままにします。	0~40VDC(最大)
デジタル出力	4	動作させるにはピン1に接続し、動作させない場合はフロート状態(未接続)にします。誘導負荷(例:リレー)とともに使用する場合は、過渡電圧から保護するため、ダイオードを負荷と並列に接続する必要があります。	0~40VDC(最大) オープンドレイン、100 mA

PIRセンサー

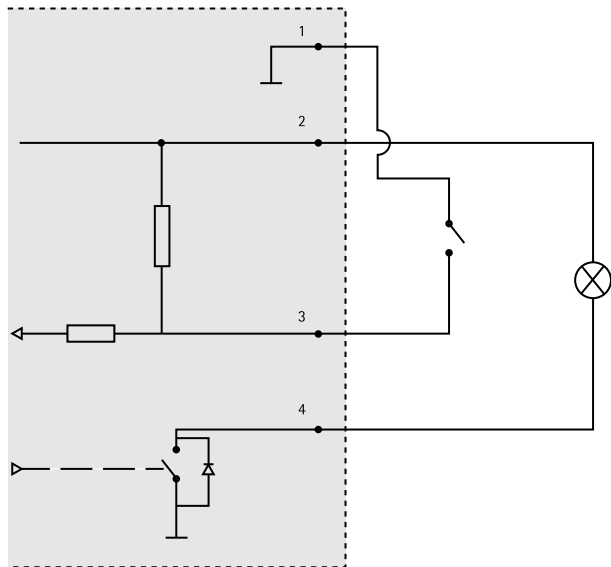
製品	感度範囲
AXIS M1054	5 m

LED照明

製品	タイプ	電源	等級
AXIS M1054	白色LED照明	1 W	Class 1M

接続図

I/Oコネクタ



- 1 0VDC (-)
- 2 DC出力3.3V、最大50mA
- 3 デジタル出力0~最大40VDC
- 4 デジタル出力0~40VDC(最大)、オープンドレイン、100mA

ハードウェアの設置

▲注意

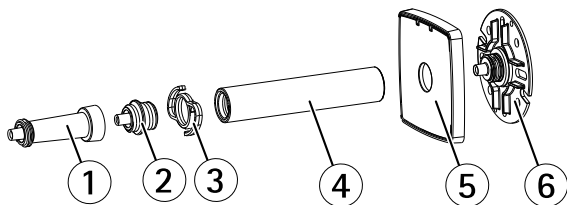
本製品は屋内用モデルです。

本製品は、ベースプレートと短い延長チューブを取り付けた状態で出荷されています。延長チューブのネジを緩め、ベースプレートをカバープレートから取り外します。カメラを壁または棚の上に取り付けるかどうかに応じて、下記の適切な指示に従ってください。

- 壁面取付ブラケットを使用した製品の設置方法については、107ページを参照してください。
- 棚面取付ブラケットを使用した製品の設置方法については、109ページを参照してください。

カメラを壁に取り付ける

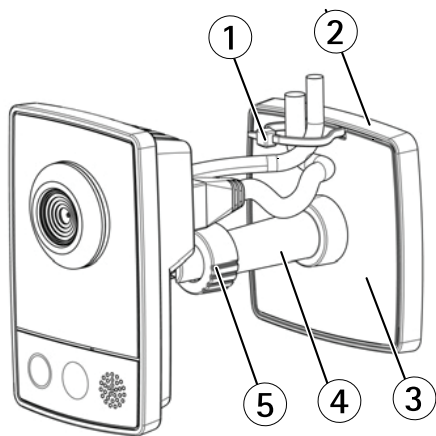
1. 付属のネジを使用して、ベースプレートを平らな(水平または垂直)面に固定します。
2. ベースプレート上にカバープレートを配置します。必要に応じて、短い延長チューブ、および備え付け付属の長い延長チューブを1本以上取り付けます。



- 1 短い延長チューブ
- 2 チューブジョイント

- 3 ケーブルクリップ
- 4 長い延長チューブ
- 5 ベースカバー
- 6 ベースプレート

- 3. カメラを取り付け、角度を調節し、ロックリングを締めます。
- 4. ケーブルを接続します (110ページを参照)。
- 5. 接続したら、カバープレートに取り付けられているケーブルタイでケーブルを固定します。

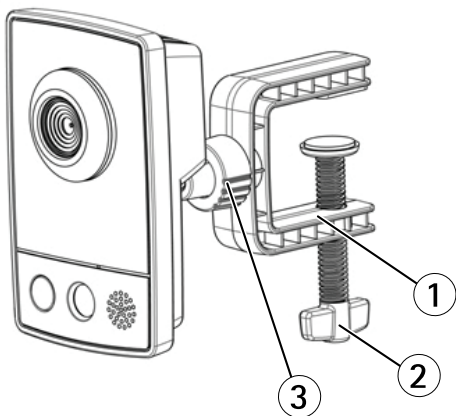


- 1 ケーブルタイ
- 2 ベースプレート
- 3 カバープレート

- 4 延長チューブ(オプション)
- 5 ロックリング

カメラを柵に取り付ける

1. クランプを配置し、取付ねじをしっかりと固定します。
2. カメラのロックリングをクランプに取り付け、カメラの角度を調節し、ロックリングを締めます。
3. ケーブルを接続します(110ページを参照)。



- 1 クランプ
- 2 取付ねじ
- 3 ロックリング

ケーブルの接続

注記

本製品は、シールドネットワークケーブル (STP) を使用して接続してください。本製品は、用途に合ったケーブルを使用してネットワークに接続してください。ネットワーク装置がメーカーの指示どおりに設置されていることを確認します。法的要件については、*Electromagnetic Compatibility (EMC) on page 2*を参照してください。

コネクタの位置については、99ページの、ハードウェアの概要を参照してください。

1. 入力/出力デバイスを付属のコネクタブロックに接続します。ケーブルを接続したら、コネクタブロックをカメラのI/Oコネクタに取り付けます。
2. シールドネットワークケーブルをネットワークコネクタに接続します。
3. 付属の電源アダプターをカメラの電源コネクタに接続してください。PoEを使用する場合は、本ステップを無視してください。
4. LEDインジケーターが正常な状態を示すことを確認します。100ページを参照してください。LEDには、無効なものや点灯しないものが存在する可能性があります。

製品へのアクセス

ネットワーク上でAxis製品を検索したり、Windows®でそれにIPアドレスを割り当てるには、AXIS IP UtilityまたはAXIS Camera Managementの使用をお勧めします。いずれのアプリケーションも無料で、www.axis.com/techsupからダウンロードできます

本製品は、ほとんどのオペレーティングシステムとブラウザでご利用いただけます。推奨ブラウザは以下のとおりです。

- Internet Explorer® (Windows®の場合)
- Safari® (OS X®の場合)
- Chrome™またはFirefox® (その他のオペレーティングシステムの場合)

製品の使用の詳細については、Axisのホームページ (www.axis.com) でユーザーズマニュアルを参照してください

工場出荷時の設定にリセットする

重要

工場出荷時の設定へのリセットは慎重に行ってください。工場出荷時の設定へのリセットを行うと、IPアドレスを含むすべての設定が工場出荷時の値にリセットされます。

注意

www.axis.com/techsupのサポートページに、インストール・管理ソフトウェアツールが用意されています。

本製品を工場出荷時の設定にリセットするには、以下の手順を実行します。

1. 本製品の電源を切ります。
2. コントロールボタンを押し続けながら電源を再投入します。「99ページの、ハードウェアの概要」を参照してください。
3. ステータスLEDインジケーターが黄色に点滅するまで、コントロールボタンを15~30秒間押し続けます。
4. コントロールボタンを離します。プロセスが完了すると、ステータスLEDが緑色に変わります。これで本製品は工場出荷時の設定にリセットされました。ネットワーク上に利用可能なDHCPサーバーがない場合、デフォルトのIPアドレスは192.168.0.90になります。

5. インストール・管理ソフトウェアツールを使用して、IPアドレスの割り当て、パスワードの設定、ビデオストリームへのアクセスを行います。

Webインターフェースを使用して、各種パラメーターを工場出荷時の設定に戻すこともできます。[Setup - System Options - Maintenance] (設定 - システムオプション - 保守) を選択します。

関連情報

本書の最新バージョンについては、www.axis.comにアクセスしてください。

ユーザーズマニュアルは、www.axis.comで入手できます。

www.axis.com/techsuplにアクセスして、ご使用のネットワーク製品の新しいファームウェアがリリースされていないかを確認してください。現在インストールされているファームウェアのバージョンを確認するには、[Setup - About] (設定 - バージョン情報) を参照してください。

Axisラーニングセンター (www.axis.com/academy) にアクセスしてください。役に立つトレーニング、ウェブセミナー、チュートリアル、ガイドをご用意しています。

保証情報

Axisの製品保証と関連情報については、www.axis.com/warrantyをご覧ください

Installation Guide

AXIS M1054 Network Camera

© Axis Communications AB, 2015

Ver. M1.3

Date: September 2015

Part No. 1492542