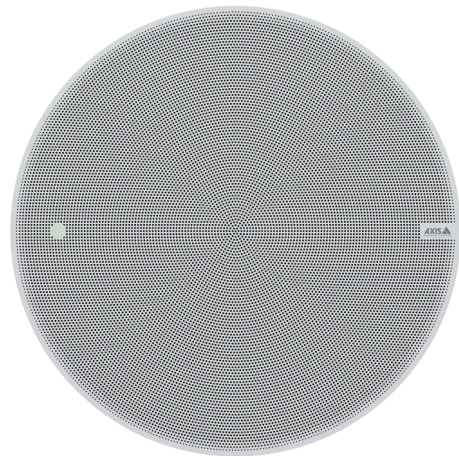


# AXIS C1210-E Network Ceiling Speaker

Discrete in-ceiling installation—large

AXIS C1210-E is an all-in-one speaker system that makes voice announcements and background music smart and easy. It connects to standard network using one cable for both power (PoE) and connectivity. AXIS C1210-E offers flexible, discrete recessed ceiling installation, ideal for indoor environments but can also be used for protected outdoor areas like under the eaves. Additionally, it features a backbox that meets plenum requirements. It offers easy integration with your video management software (VMS), VoIP telephony, analytics, and more. Including a preconfigured digital signal processor (DSP) it produces clear voice every time. It also features a built-in microphone enabling remote health testing and 2-way audio talk-back. Furthermore, the embedded audio management software supports user, content, zone, and scheduling management.

- > [All-in-one speaker system](#)
- > [Connects to standard network](#)
- > [Easy installation with just one network cable \(PoE\)](#)
- > [Scalable and easy to integrate](#)
- > [Remote health testing](#)



# AXIS C1210-E Network Ceiling Speaker

<b>Audio hardware</b>	
<b>Enclosure</b>	6.5 inch coaxial dynamic cone speaker in sealed enclosure
<b>Max sound pressure level</b>	96 dB
<b>Frequency response</b>	40 Hz - 20 kHz
<b>Coverage pattern</b>	130° coaxial
<b>Audio input/output</b>	Built-in microphone (can be disabled) External microphone, line in
<b>Built-in microphone specification</b>	50 Hz - 20 kHz
<b>Amplifier description</b>	Built-in 7 W Class D amplifier
<b>Digital signal processing</b>	Built-in and pre-configured
<b>Audio management</b>	
<b>AXIS Audio Manager Edge</b>	Built in: <ul style="list-style-type: none"> <li>– Zone management allowing you to divide up to 200 speakers into 20 zones.</li> <li>– Content management for music and live/pre-recorded announcements.</li> <li>– Scheduling to decide when and where to play content.</li> <li>– Content prioritization to ensure urgent messages interrupt the schedule.</li> <li>– Health monitoring for remote discovery of system errors.</li> <li>– User management to control who has access to what features.</li> </ul> For more details, see the datasheet on <a href="http://axis.com/products/axis-audio-manager-edge/support">axis.com/products/axis-audio-manager-edge/support</a>
<b>AXIS Audio Manager Pro</b>	For larger and more advanced systems. Sold separately. For specifications, see the datasheet on <a href="http://axis.com/products/axis-audio-manager-pro/support">axis.com/products/axis-audio-manager-pro/support</a>
<b>AXIS Audio Manager Center</b>	AXIS Audio Manager Center is a cloud service for remote access and management of multi-site systems. For specifications, see the datasheet on <a href="http://axis.com/products/axis-audio-manager-center/support">axis.com/products/axis-audio-manager-center/support</a>
<b>Audio software</b>	
<b>Audio streaming</b>	One-way/two-way with optional full duplex echo cancellation. Mono.
<b>Audio encoding</b>	AAC LC 8/16/32/48 kHz, G.711 PCM 8 kHz, G.726 ADPCM 8 kHz, Axis $\mu$ -law 16 kHz, WAV, MP3 in mono/stereo from 64 kbps to 320 kbps. Constant and variable bit rate. Sampling rate from 8 kHz up to 48 kHz.
<b>System integration</b>	
<b>Application Programming Interface</b>	Open API for software integration, including VAPIX®, One-click cloud connection, AXIS Camera Application Platform (ACAP).
<b>Video management systems</b>	Compatible with AXIS Camera Station Edge, AXIS Camera Station Pro, AXIS Camera Station 5, and video management software from Axis' partners available at <a href="http://axis.com/vms">axis.com/vms</a> .
<b>Mass notification</b>	Singlewire InformaCast®, Intrado Revolution, Lynx, Alertus
<b>Unified communication</b>	Verified compatibility: SIP clients: 2N, Yealink, Cisco, Linphone, Grandstream PBX/SIP servers: Cisco Call Manager, Cisco BroadWorks, Avaya, Asterix, Grandstream Cloud service providers: Webex, Zoom
<b>SIP</b>	Supported SIP features: Secondary SIP server, IPv6, SRTP, SIPS, SIP TLS, DTMF (RFC2976 and RFC2833), NAT (ICE, STUN, TURN) RFC 3261: INVITE, CANCEL, BYE, REGISTER, OPTIONS, INFO DTMF (RFC 4733/RFC 2833)
<b>Event conditions</b>	Audio: audio clip playing, speaker test result Call: state, state change Device status: IP address blocked/removed, new IP address, network lost, system ready, live stream active Edge storage: recording ongoing, storage disruption, storage health issues detected I/O: digital input, manual trigger, virtual input MQTT: stateless
	Scheduled and recurring: schedule
<b>Event actions</b>	Audio: run automatic speaker test Audio clips: play, stop, I/O: toggle I/O once, toggle I/O while the rule is active LEDs: flash status LED, flash status LED while the rule is active Light and siren: run light profile, run light profile while the rule is active, stop activities MQTT: publish Notification: HTTP, HTTPS, TCP and email Recordings: record audio, record audio while the rule is active Security: erase configuration SNMP traps: send, send while the rule is active
<b>Built-in installation aids</b>	Test tone verification and identification
<b>Functional monitoring</b>	Auto Speaker Test (verification via built-in microphone)
<b>Approvals</b>	
<b>EMC</b>	EN 55024, EN 55035, EN 55032 Class A, EN 61000-6-1, EN 61000-6-2, EN 61000-6-3, EN 61000-6-4 Australia/New Zealand: CISPR 24, CISPR 35, CISPR 32 Class A, RCM AS/NZS CISPR 32 Class A Canada: ICES-3(A)/NMB-3(A) Japan: VCCI Class A Korea: KC KN35, KC KN32 Class A USA: FCC Part 15 Subpart B Class A
<b>Safety</b>	CAN/CSA C22.2 No. 62368-1, CAN/CSA-C22.2 No. 60950-22, IEC/EN 62368-1, KC-Mark, UL 62368-1, UL 60950-22
<b>Environment</b>	UL2043 (Plenum rating), IEC 60068-2-1, IEC 60068-2-2, IEC 60068-2-6, IEC 60068-2-14, IEC 60068-2-27, IEC 60068-2-78, IEC/EN 60529 IP44
<b>Cybersecurity</b>	ETSI EN 303 645, BSI IT Security Label
<b>Network</b>	
<b>Network protocols</b>	IPv4/v6 <sup>a</sup> , HTTP, HTTPS <sup>b</sup> , SSL/TLS <sup>c</sup> , QoS Layer 3 DiffServ, FTP, SFTP, CIFS/SMB, SMTP, Bonjour, UPnP <sup>TM</sup> , SNMP v1/v2c/v3 (MIB-II), DNS, DynDNS, NTP, RTSP, RTP, TCP, UDP, IGMPv1/v2/v3, RTCP, ICMP, DHCP, ARP, SOCKS, SSH, NTCIP, SIP
<b>Cybersecurity</b>	
<b>Edge security</b>	<b>Software:</b> Signed OS, brute force delay protection, digest authentication and OAuth 2.0 RFC6749 OpenID Authorization Code Flow for centralized ADFS account management, password protection, AES-XTS-Plain64 256bit SD card encryption <b>Hardware:</b> Axis Edge Vault cybersecurity platform Secure element (CC EAL 6+), Axis device ID, secure keystore, secure boot
<b>Network security</b>	IEEE 802.1X (EAP-TLS, PEAP-MSCHAPv2) <sup>d</sup> , IEEE 802.1AR, HTTPS/HSTS <sup>e</sup> , TLS v1.2/v1.3 <sup>f</sup> , Network Time Security (NTS), X.509 Certificate PKI, host-based firewall
<b>Documentation</b>	<i>AXIS OS Hardening Guide</i> <i>Axis Vulnerability Management Policy</i> <i>Axis Security Development Model</i> AXIS OS Software Bill of Material (SBOM) To download documents, go to <a href="http://axis.com/support/cybersecurity/resources">axis.com/support/cybersecurity/resources</a> To read more about Axis cybersecurity support, go to <a href="http://axis.com/cybersecurity">axis.com/cybersecurity</a>
<b>System on chip (SoC)</b>	
<b>Model</b>	NXP i.MX 6SoloX
<b>Memory</b>	512 MB RAM, 512 MB Flash
<b>General</b>	
<b>Casing</b>	IP44 (IP40 above ceiling) Baffle: plastic Top cover: plastic Mesh: surface-treated steel plate Mesh color: white NCS S 1002-B Repaintable. For repainting instructions and impact on warranty, contact your Axis partner. Speaker mounting method: plastic clamp
<b>Power</b>	Power over Ethernet (PoE), IEEE 802.3af Type 1 Class 3 (max 12.95 W)

<b>Connectors</b>	RJ45 10BASE-T/100BASE-TX PoE I/O: 4-pin 2.5 mm terminal block for 2x supervised configurable I/Os
<b>LED indicators</b>	Status LED, front-facing LED
<b>Storage</b>	Support for microSD/microSDHC/microSDXC card Max. size 1 TB For SD card recommendations see <a href="http://www.axis.com">www.axis.com</a>
<b>Reliability</b>	Designed for 24/7 operation.
<b>Operating conditions</b>	Temperature: -30 °C to 50 °C (-22 °F to 122 °F) Humidity: 10–100 % RH (condensing)
<b>Storage conditions</b>	Temperature: -40 °C to 65 °C (-40 °F to 149 °F) Humidity: 5–95 % RH (non-condensing)
<b>Dimensions</b>	Height: 150 mm (5.9 in), Front-mesh Ø 285 mm (11.2 in) Ceiling thickness: for mounting: 0–60 mm (0–2.4 in) Dimensions for fixing hole: Ø 261 mm ± 2 mm (10.3 in ± 0.08 in)
<b>Weight</b>	3100 g
<b>Box content</b>	Speaker, installation guide, Owner Authentication Key, mesh cover, block terminal
<b>Optional accessories</b>	AXIS TC1603 Tile Bridge (for installation in soft ceiling), AXIS TC1602 Conduit Adapter, AXIS TC1702 Back Cover, AXIS Safety Wire 3M For more accessories, see <a href="http://axis.com">axis.com</a>
<b>Languages</b>	English, German, French, Spanish, Italian, Russian, Simplified Chinese, Japanese, Korean, Portuguese, Polish, Traditional Chinese, Dutch, Czech, Swedish, Finnish, Turkish, Thai, Vietnamese
<b>Warranty</b>	5-year warranty, see <a href="http://axis.com/warranty">axis.com/warranty</a>
<b>Part numbers</b>	Available at <a href="http://axis.com/products/axis-c1210-e#part-numbers">axis.com/products/axis-c1210-e#part-numbers</a>
<b>Tools</b>	
<b>Design</b>	AXIS Site Designer

Available at [axis.com](http://axis.com)

**Installation** AXIS Device Manager, product selector, accessory selector  
Available at [axis.com](http://axis.com)

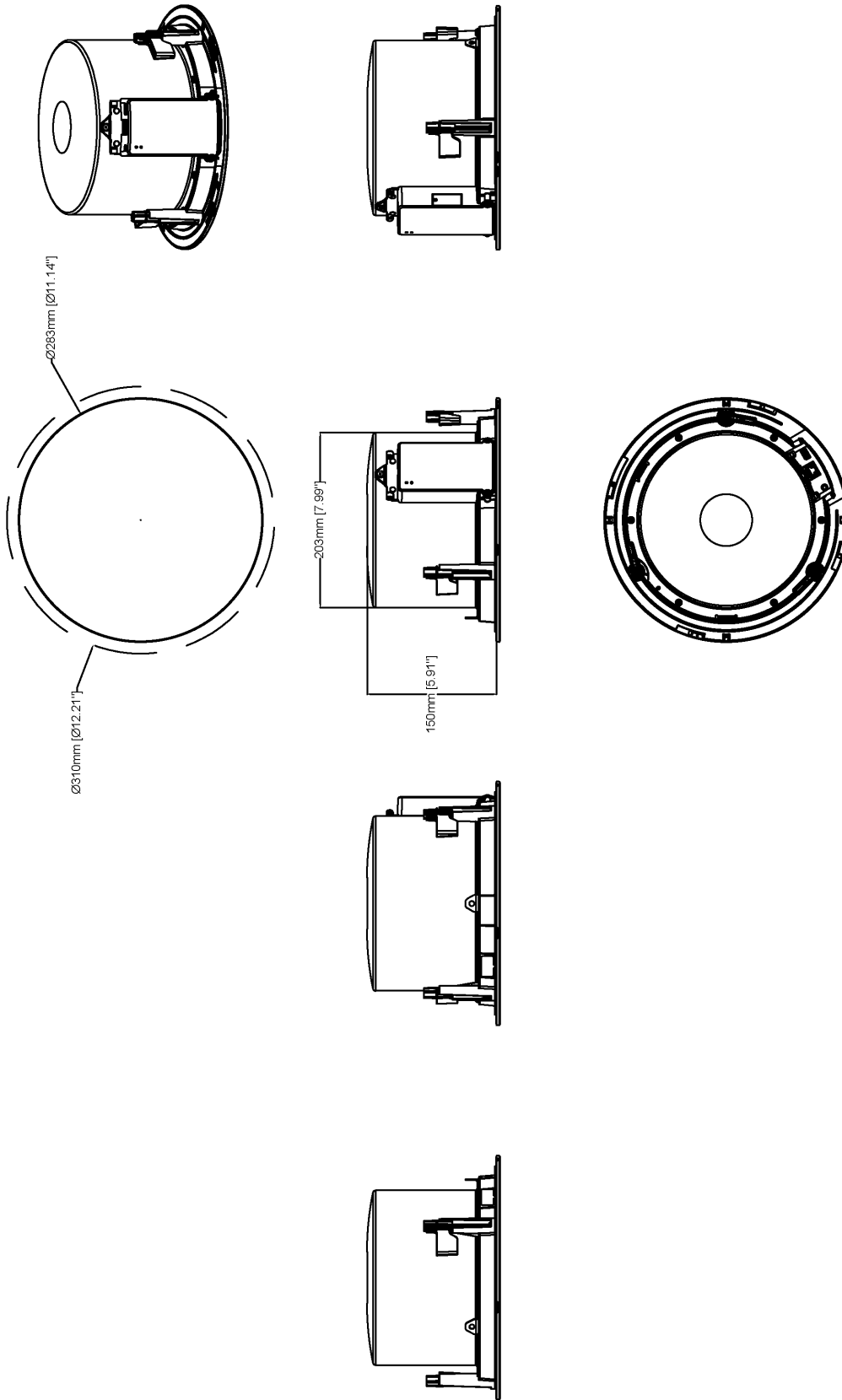
#### Sustainability

**Substance control** PVC free in accordance with JEDEC/ECA Standard JS709  
RoHS in accordance with EU RoHS Directive 2011/65/EU/ and EN 63000:2018  
REACH in accordance with (EC) No 1907/2006. For SCIP UUID, see [axis.com/partner](http://axis.com/partner).

**Materials** Renewable carbon-based plastic content: 63% (recycled: 0%, bio-based: 63%, carbon capture based: 0%)  
Screened for conflict minerals in accordance with OECD guidelines  
To read more about sustainability at Axis, go to [axis.com/about-axis/sustainability](http://axis.com/about-axis/sustainability)

**Environmental responsibility** [axis.com/environmental-responsibility](http://axis.com/environmental-responsibility)  
Axis Communications is a signatory of the UN Global Compact, read more at [unglobalcompact.org](http://unglobalcompact.org)

- a. *Audio synchronization with IPv4 only.*
- b. *This product includes software developed by the OpenSSL Project for use in the OpenSSL Toolkit. ([openssl.org](http://openssl.org)), and cryptographic software written by Eric Young ([eyay@cryptsoft.com](mailto:eyay@cryptsoft.com)).*
- c. *This product includes software developed by the OpenSSL Project for use in the OpenSSL Toolkit. ([openssl.org](http://openssl.org)), and cryptographic software written by Eric Young ([eyay@cryptsoft.com](mailto:eyay@cryptsoft.com)).*
- d. *This product includes software developed by the OpenSSL Project for use in the OpenSSL Toolkit. ([openssl.org](http://openssl.org)), and cryptographic software written by Eric Young ([eyay@cryptsoft.com](mailto:eyay@cryptsoft.com)).*
- e. *This product includes software developed by the OpenSSL Project for use in the OpenSSL Toolkit. ([openssl.org](http://openssl.org)), and cryptographic software written by Eric Young ([eyay@cryptsoft.com](mailto:eyay@cryptsoft.com)).*
- f. *This product includes software developed by the OpenSSL Project for use in the OpenSSL Toolkit. ([openssl.org](http://openssl.org)), and cryptographic software written by Eric Young ([eyay@cryptsoft.com](mailto:eyay@cryptsoft.com)).*



# AXIS C1210-E Network Ceiling Speaker

Revision	v.01	Revision date	2022-09-21
Paper size	A4	Release date	2022-09-21
Created by	MS	Scale	1:6

© 2022 Axis Communications