



**SAMCON**  
Prozessleittechnik GmbH



# Assembly Instruction

product: WALL MOUNT EXCAM XF M30 (M8)  
author: S. Weber  
date: Oct. 22, 2019  
doc ID: 191022-PZUMA-SW-WALL MOUNT EXCAM XF M30\_assembly  
instruction\_rev.01 (M8).idw  
passing:



# INTRO



What you need:	
Wrench	13mm
Torque -wrench	13mm

**ATTENTION:**  
Please be careful when  
working at heights !

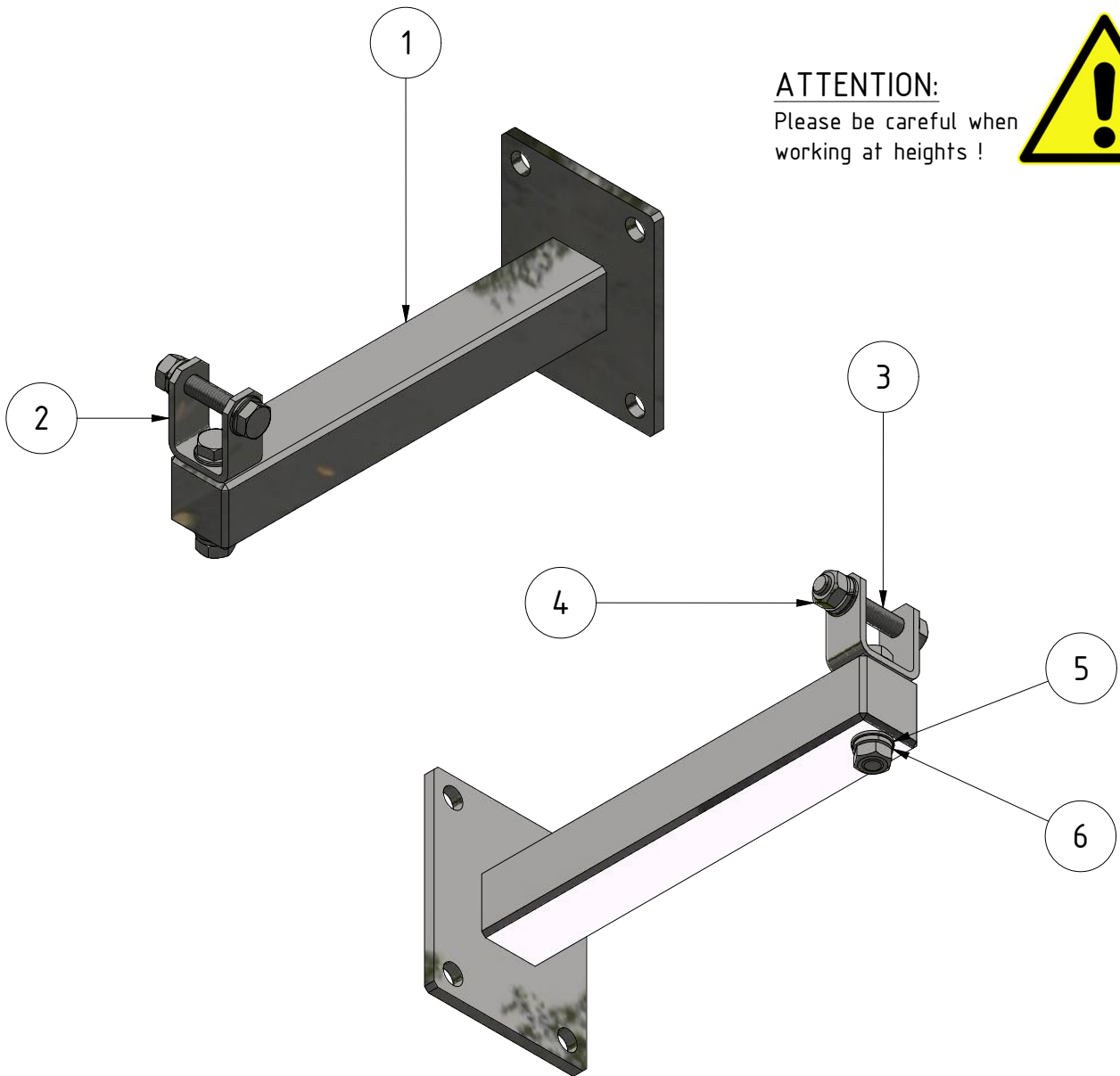
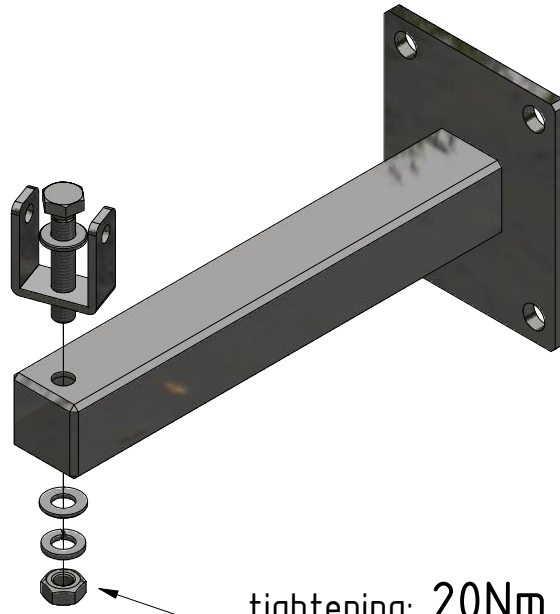


Table of content

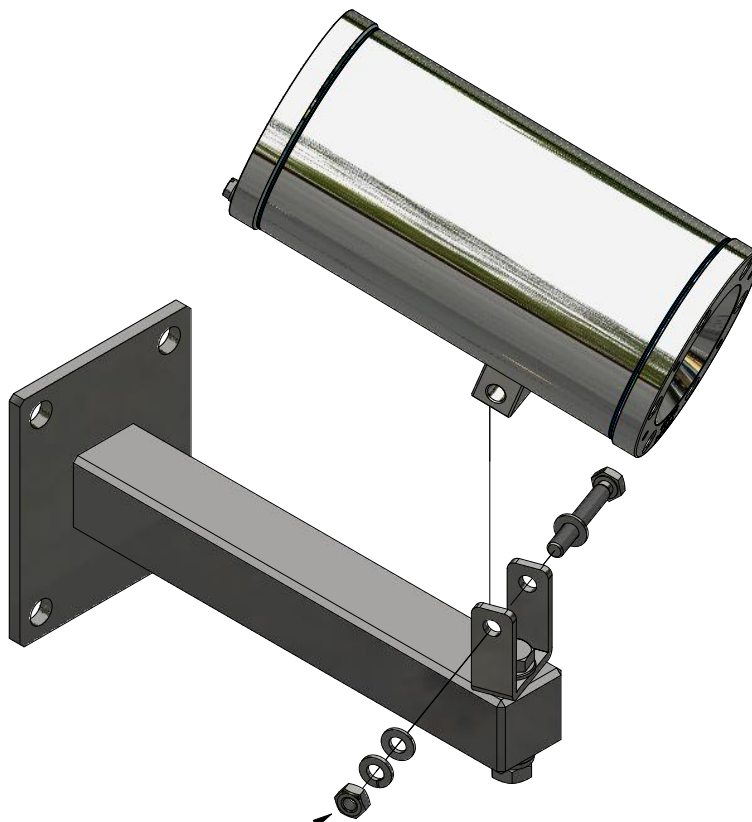
obj.	qty.	part	material
1	1	WALL MOUNT EXCAM XF M30	stainless steel
2	1	WALL MOUNT EXCAM XF M30 fastening sheet	stainless steel
3	2	Threaded bolt DIN 933 - M8 x 45	stainless steel
4	2	Nnut ISO 4032 - M8	stainless steel
5	4	Washer DIN 433 - 8,4	stainless steel
6	2	Washer DIN 7980 - A8	stainless steel

1



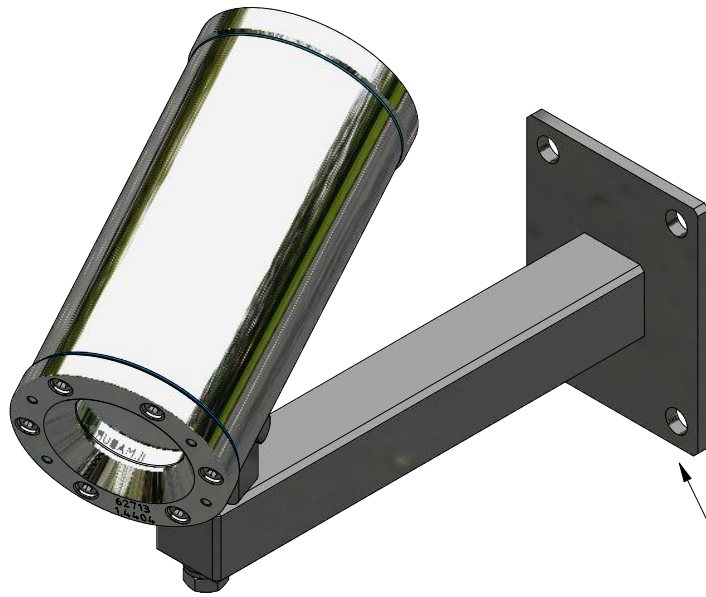
tightening: 20Nm

2



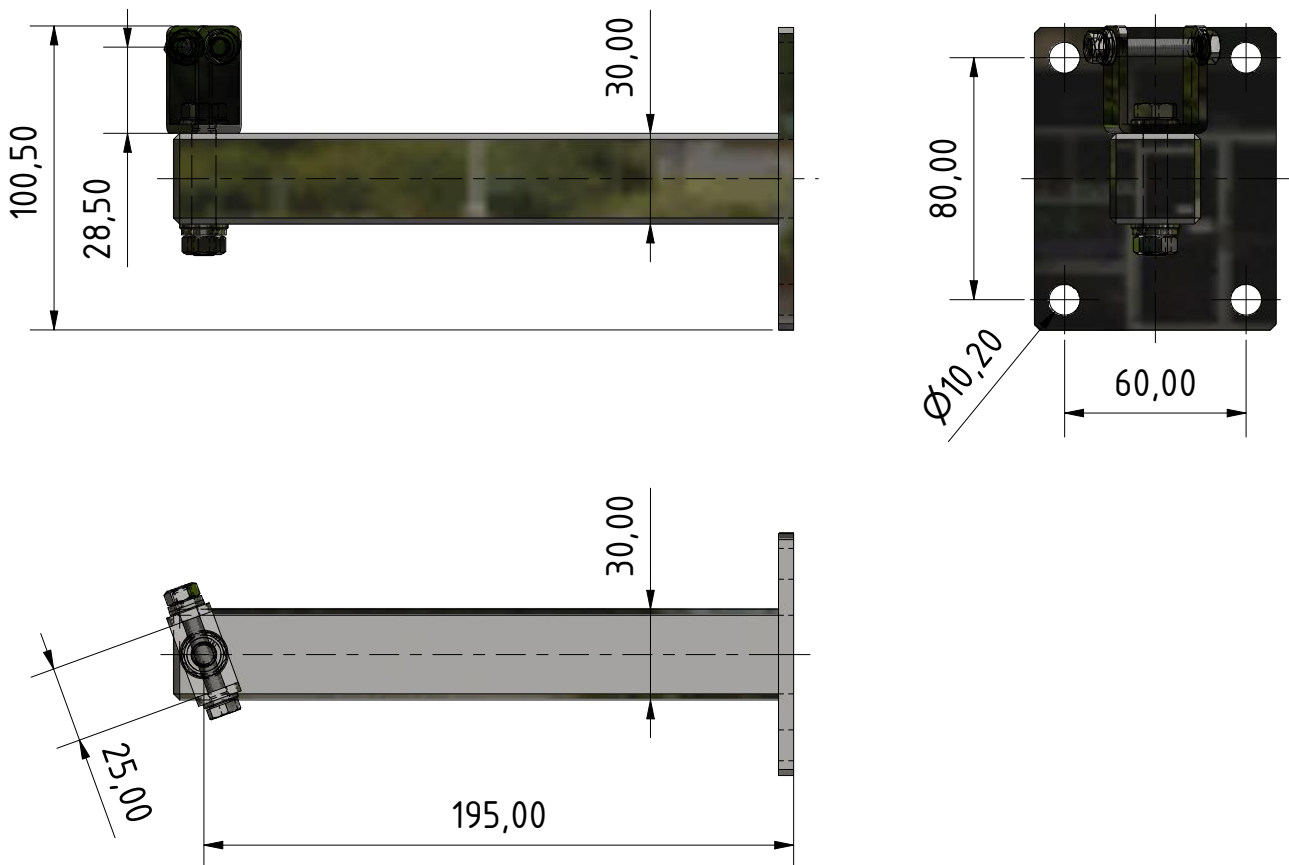
tightening: 26Nm

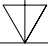
3



*Fasten to wall or to  
PMB (pole mount bracket) !*

4





Note:  
For more information see  
other assembly instructions!







**SAMCON**

Prozessleittechnik GmbH



**AXIS<sup>®</sup>**   
COMMUNICATIONS