

## **AXIS Q60 Series**

**AXIS Q6042 Mk II PTZ Dome Network Camera**

**AXIS Q6044 PTZ Dome Network Camera**

**AXIS Q6045 Mk II PTZ Dome Network Camera**



English

EN

France: Français

FR

Deutschland: Deutsch

DE

Italia: Italiano

IT

España: Español

ES

日本: 日本語

JA

中文: 简体中文

ZH

## Legal considerations

Video and audio surveillance can be regulated by laws that vary from country to country. Check the laws in your local region before using this product for surveillance purposes.

This product includes the following licences:

- one (1) AAC decoder license
- one (1) H.264 decoder license

To purchase further licenses, contact your reseller.

## Liability

Every care has been taken in the preparation of this document. Please inform your local Axis office of any inaccuracies or omissions. Axis Communications AB cannot be held responsible for any technical or typographical errors and reserves the right to make changes to the product and manuals without prior notice. Axis Communications AB makes no warranty of any kind with regard to the material contained within this document, including, but not limited to, the implied warranties of merchantability and fitness for a particular purpose. Axis Communications AB shall not be liable nor responsible for incidental or consequential damages in connection with the furnishing, performance or use of this material. This product is only to be used for its intended purpose.

## Intellectual property rights

Axis AB has intellectual property rights relating to technology embodied in the product described in this document. In particular, and without limitation, these intellectual property rights may include one or more of the patents listed at [axis.com/patent](http://axis.com/patent) and one or more additional patents or pending patent applications in the US and other countries.

This product contains licensed third-party software. See the menu item "About" in the product's user interface for more information.

This product contains source code copyright Apple Computer, Inc., under the terms of Apple Public Source License 2.0 (see [opensource.apple.com/apsl/](http://opensource.apple.com/apsl/)). The source code is available from [developer.apple.com/bonjour/](http://developer.apple.com/bonjour/).


## Equipment modifications

This equipment must be installed and used in strict accordance with the instructions given in the user documentation. This equipment contains no user-serviceable components. Unauthorized equipment changes or modifications will invalidate all applicable regulatory certifications and approvals.

## Trademark acknowledgements

AXIS COMMUNICATIONS, AXIS, ARTPEC and VAPIX are registered trademarks of Axis AB in various jurisdictions. All other trademarks are the property of their respective owners.

Apple, Apache, Bonjour, Ethernet, Internet Explorer, Linux, Microsoft, Mozilla, Real, SMPTE, QuickTime, UNIX, Windows, and WWW are registered trademarks of the respective holders. Java and all Java-based trademarks and logos are trademarks or registered trademarks of Oracle and/or its affiliates. The UPnP Word Mark and UPnP Logo are trademarks of Open Connectivity Foundation, Inc. in the United States or other countries.

 SD, SDHC, and SDXC Logos are trademarks of SD-3C LLC. SD, SDHC and SDXC are trademarks or registered trademarks of SD-3C, LLC in the United States, other countries or both.

## Regulatory information

### Europe



This product complies with the applicable CE marking directives and harmonized standards:

- Electromagnetic Compatibility (EMC) Directive 2014/30/EU. See *Electromagnetic compatibility (EMC) on page 4.*
- Low Voltage Directive (LVD) 2014/35/EU. See *Safety on page 5.*
- Restriction of Hazardous Substances (RoHS) Directive 2011/65/EU and 2015/863, including any amendments, updates or replacements. See *Disposal and recycling on page 5.*

A copy of the original declaration of conformity may be obtained from Axis Communications AB. See *Contact information on page 5.*

### Electromagnetic compatibility (EMC)

This equipment has been designed and tested to fulfill applicable standards for:

- Radio frequency emission when installed according to the instructions and used in its intended environment.
- Immunity to electrical and electromagnetic phenomena when installed according to the instructions and used in its intended environment.

### USA

This device complies with part 15 of the FCC Rules. Operation is subject to the following two conditions:

1. This device may not cause harmful interference, and
2. this device must accept any interference received, including interference that may cause undesired operation.

This equipment has been tested using a shielded network cable (STP) and found to comply with the limits for a Class A digital device, pursuant to part 15 of the FCC Rules. These limits are designed to provide reasonable protection against harmful interference when the equipment is operated in a commercial environment. This equipment generates, uses, and can radiate radio frequency energy and, if not installed and used in accordance with the instruction manual, may cause harmful interference to radio communications. Operation of this equipment in a residential area is likely to cause harmful interference in which case the user will be required to correct the interference at his own expense. The product shall be connected using a shielded network cable (STP) that is properly grounded.

### Contact information

Axis Communications Inc.  
300 Apollo Drive  
Chelmsford, MA 01824  
United States of America  
Tel: +1 978 614 2000

### Canada

This digital apparatus complies with CAN ICES-3 (Class A). The product shall be connected using a shielded network cable (STP) that

is properly grounded. Cet appareil numérique est conforme à la norme CAN NMB-3 (classe A). Le produit doit être connecté à l'aide d'un câble réseau blindé (STP) qui est correctement mis à la terre.

### Europe

This digital equipment fulfills the requirements for RF emission according to the Class A limit of EN 55032. The product shall be connected using a shielded network cable (STP) that is properly grounded. Notice! This is a Class A product. In a domestic environment this product may cause RF interference, in which case the user may be required to take adequate measures.

### Australia/New Zealand

This digital equipment fulfills the requirements for RF emission according to the Class A limit of AS/NZS CISPR 32. The product shall be connected using a shielded network cable (STP) that is properly grounded. Notice! This is a Class A product. In a domestic environment this product may cause RF interference, in which case the user may be required to take adequate measures.

### Japan

この装置は、クラスA機器です。この装置を住宅環境で使用すると電波妨害を引き起こすことがあります。この場合には使用者が適切な対策を講ずるよう要求されることがあります。VCCI - A  
本製品は、シールドネットワークケーブル (STP) を使用して接続してください。また適切に接地してください。  
本製品は電気通信事業者 (移动通信会社、固定通信会社、インターネットプロバイダ等) の通信回線 (公衆無線 LAN を含む) に直接接続することができません。本製品をインターネットに接続する場合は、必ずルータ等を経由し接続してください。

### Korea

이 기기는 업무용 환경에서 사용할 목적으로 적형성평가를 받은 기기로서 가정용 환경에서 사용하는 경우 전파간섭의 우려가 있습니다. 적절히 접지된 STP (shielded twisted pair) 케이블을 사용하여 제품을 연결 하십시오.

### Safety

This product complies with IEC/EN/UL 60950-1, Safety of Information Technology Equipment.

If its connecting cables are routed outdoors, the product shall be grounded either through a shielded network cable (STP) or other appropriate method.

### Disposal and recycling

When this product has reached the end of its useful life, dispose of it according to local laws and regulations. For information about your nearest designated collection point, contact your local authority responsible for waste disposal. In accordance with local legislation, penalties may be applicable for incorrect disposal of this waste.

### Europe



This symbol means that the product shall not be disposed of together with household or commercial waste. Directive 2012/19/EU on waste electrical and electronic equipment (WEEE) is applicable in the European Union member states. To prevent

potential harm to human health and the environment, the product must be disposed of in an approved and environmentally safe recycling process. For information about your nearest designated collection point, contact your local authority responsible for waste disposal. Businesses should contact the product supplier for information about how to dispose of this product correctly.

This product complies with the requirements of Directive 2011/65/EU and 2015/863 on the restriction of the use of certain hazardous substances in electrical and electronic equipment (RoHS).

### China



This product complies with the requirements of SJ/T 11364-2014, Marking for the restriction of hazardous substances in electrical and electronic products.

有毒有害物质或元素						
部件名称	铅 (Pb)	汞 (Hg)	镉 (Cd)	六价铬 (Cr-(VI))	多溴联苯 (PB-B)	多溴二苯醚 (PB-DE)
电气实装部分	X	0	0	0	0	0
0: 表示该有毒有害物质在该部件均质材料中的含量均在GB/T 26572标准规定的限量要求以下。 X: 表示该有毒有害物质至少在该部件的某一均质材料中的含量超出GB/T 26572标准规定的限量要求。						

### Contact information

Axis Communications AB  
Gränden 1  
223 69 Lund  
Sweden

Tel: +46 46 272 18 00

Fax: +46 46 13 61 30

[axis.com](http://axis.com)

### Support

Should you require any technical assistance, please contact your Axis reseller. If your questions cannot be answered immediately, your reseller will forward your queries through the appropriate channels to ensure a rapid response. If you are connected to the Internet, you can:

- download user documentation and software updates

- find answers to resolved problems in the FAQ database, search by product, category, or phrase
- report problems to Axis support staff by logging in to your private support area
- chat with Axis support staff
- visit Axis Support at [axis.com/support](https://axis.com/support)

**Learn more!**

Visit Axis learning center [axis.com/academy](https://axis.com/academy) for useful trainings, webinars, tutorials and guides.

## Safety information

### Hazard levels

**▲DANGER**

Indicates a hazardous situation which, if not avoided, will result in death or serious injury.

**▲WARNING**

Indicates a hazardous situation which, if not avoided, could result in death or serious injury.

**▲CAUTION**

Indicates a hazardous situation which, if not avoided, could result in minor or moderate injury.

**NOTICE**

Indicates a situation which, if not avoided, could result in damage to property.

### Other message levels

**Important**

Indicates significant information which is essential for the product to function correctly.

**Note**

Indicates useful information which helps in getting the most out of the product.

## Safety instructions

### **⚠WARNING**

The Axis product shall be installed by a trained professional, and in compliance with local laws and regulations.

### **NOTICE**

- The Axis product shall be used in compliance with local laws and regulations.
- Axis recommends using a shielded network cable (STP).
- To use the Axis product outdoors, or in similar environments, it shall be installed in an approved outdoor housing.
- Store the Axis product in a dry and ventilated environment.
- Avoid exposing the Axis product to shocks or heavy pressure.
- Do not install the product on unstable poles, brackets, surfaces or walls.
- Use only applicable tools when installing the Axis product. Using excessive force with power tools could cause damage to the product.
- Do not use chemicals, caustic agents, or aerosol cleaners.
- Use a clean cloth dampened with pure water for cleaning.
- Use only accessories that comply with the technical specification of your product. These can be provided by Axis or a third party. Axis recommends using Axis power source equipment compatible with your product.
- Use only spare parts provided by or recommended by Axis.
- Do not attempt to repair the product yourself. Contact Axis support or your Axis reseller for service matters.
- Do not point the camera lens toward the sun or other high-intensity radiation sources because this could cause damage to the camera.

## Transportation

### **NOTICE**

- When transporting the Axis product, use the original packaging or equivalent to prevent damage to the product.

## Battery

The Axis product uses a 3.0 V CR2032 lithium battery as the power supply for its internal real-time clock (RTC). Under normal conditions this battery will last for a minimum of five years.

### **⚠CAUTION**

Do not replace the battery yourself. Contact Axis support if the log message requests a battery change.



Lithium coin cell 3.0 V batteries contain 1,2-dimethoxyethane; ethylene glycol dimethyl ether (EGDME), CAS no. 110-71-4.

## Dome cover

### **NOTICE**

- Be careful not to scratch, damage or leave fingerprints on the dome cover because this could decrease image quality. If possible, keep the protective plastic on the dome cover until the installation is complete.
- Do not clean a dome cover that looks clean to the eye and never polish the surface. Excessive cleaning could damage the surface.
- For general cleaning of the dome cover it is recommended to use a non-abrasive, solvent-free neutral soap or detergent mixed with pure water and a soft, clean cloth. Rinse well with pure lukewarm water. Dry with a soft, clean cloth to prevent water spotting.
- Never use harsh detergents, gasoline, benzene, acetone, or similar chemicals.
- Avoid cleaning the dome cover in direct sunlight or at elevated temperatures.
- Make sure the dome is attached in operation mode, otherwise focus may be affected.



## Installation Guide

This Installation Guide provides instructions for installing one of the following network cameras on your network:

- AXIS Q6042 Mk II PTZ Dome Network Camera
- AXIS Q6044 PTZ Dome Network Camera
- AXIS Q6045 Mk II PTZ Dome Network Camera

For other aspects of using the product, see the User Manual available at [www.axis.com](http://www.axis.com)

## Installation Steps

1. Make sure the package contents, tools and other materials necessary for the installation are in order. See *page 11*.
2. Study the hardware overview. See *page 12*.
3. Study the specifications. See *page 18*.
4. Install the hardware. See *page 20*.
5. Access the product. See *page 27*.

## Package contents

- Network camera
  - AXIS Q6042 Mk II PTZ Dome Network Camera, or
  - AXIS Q6044 PTZ Dome Network Camera, or
  - AXIS Q6045 Mk II PTZ Dome Network Camera
- Clear transparent dome cover (premounted)
- Smoked transparent dome cover
- Mounting kit for hard ceilings and drop ceilings
- Axis PoE+ midspan 1-port (LPS)
- Printed materials
  - Installation Guide (this document)
  - Drill template for drop ceiling mount
  - Extra serial number label (2x)
  - AVHS Authentication key

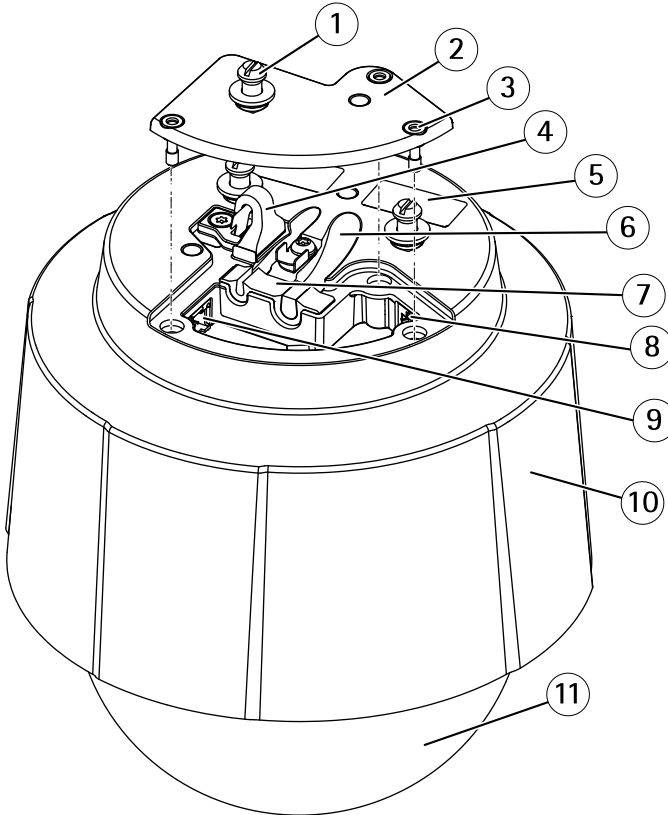
## Optional accessories

For a complete list of available accessories for this product, go to the product's page on [axis.com](http://axis.com) and select Software & Accessories.

## Hardware overview

### NOTICE

Make sure the dome is attached in operation mode, otherwise focus may be affected.

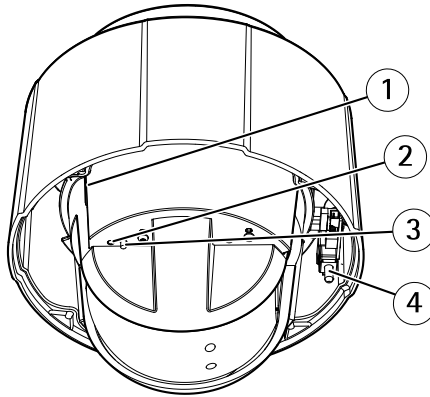


- 1 Unit holder (3x)
- 2 Camera base lid
- 3 Camera base lid screw T20 (3x)
- 4 Hook for safety wire
- 5 Part number (P/N) & Serial number (S/N)
- 6 Cable track (2x)
- 7 Foam gasket
- 8 Network connector (PoE+)
- 9 Multi-connector
- 10 Top cover

11 Dome

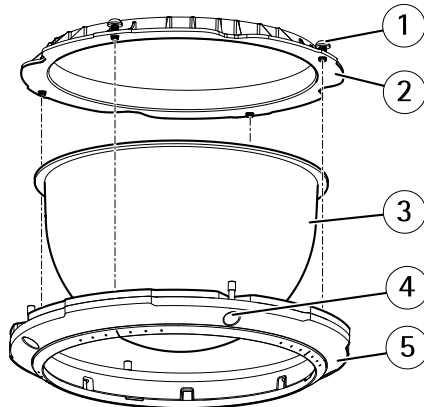
EN

Camera Unit



- 1 *SD card slot*
- 2 *Status LED indicator*
- 3 *Control button*
- 4 *Power button*

Dome Cover



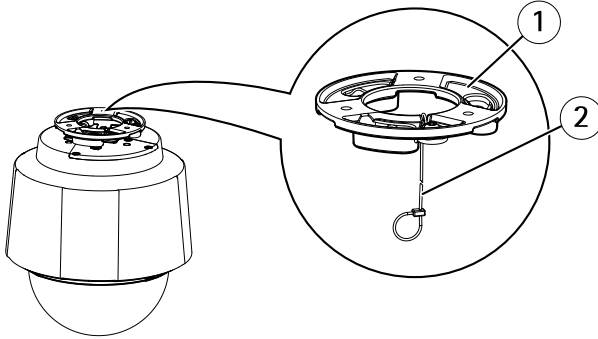
- 1 *Dome bracket screw T20 (4x)*
- 2 *Dome bracket*
- 3 *Dome cover*

# AXIS Q60 Series

---

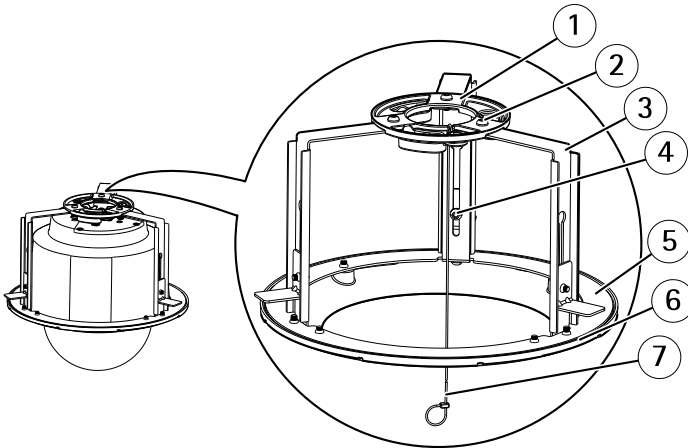
- 4 Dome ring screw T20 (4x)
- 5 Dome ring

## Hard Ceiling Mount



- 1 Mounting plate
- 2 Safety wire

## Drop Ceiling Mount



- 1 Mounting plate
- 2 Mounting plate screw T20 (3x)
- 3 Bracket arm
- 4 Bracket arm screw T20 (3x) and washer (3x)

- 5 Bracket ring
- 6 Trim ring
- 7 Safety wire

## LED Indicators

Status LED	Indication
Unlit	Connection and normal operation.
Green	Steady green for 10 seconds for normal operation after startup completed.
Amber	Steady during startup. Flashes during firmware upgrade or reset to factory default.
Amber/Red	Flashes amber/red if network connection is unavailable or lost.
Red	Firmware upgrade failure.

## Connectors and buttons

For specifications and operating conditions, see *page 18*.

### Network connector

RJ45 Ethernet connector with Power over Ethernet Plus (PoE+).

**NOTICE**

Use the supplied midspan.

**NOTICE**

The product shall be connected using a shielded network cable (STP). All cables connecting the product to the network shall be intended for their specific use. Make sure that the network devices are installed in accordance with the manufacturer's instructions. For information about regulatory requirements, see *Electromagnetic compatibility (EMC) on page 4*.

### I/O and audio connector

Terminal connector for connecting external equipment:

- Audio equipment
- Input/Output (I/O) devices

When connecting external equipment, an Axis multicable is required in order to maintain the product's IP rating. To find out more, go to *Multicable connectors on page 16*.

## SD card slot

### **NOTICE**

- Risk of damage to SD card. Do not use sharp tools, metal objects, or excessive force when inserting or removing the SD card. Use your fingers to insert and remove the card.
- Risk of data loss and corrupted recordings. Do not remove the SD card while the product is running. Unmount the SD card from the product's webpage before removal.

This product supports SD/SDHC/SDXC cards.

For SD card recommendations, see [axis.com](http://axis.com).

## Control button

For location of the control button, see .

The control button is used for:

- Resetting the product to factory default settings. See [page 27](#).
- Connecting to an AXIS Video Hosting System service. To find out more about this service, see [axis.com](http://axis.com)

## Power button

Press and hold the power button to temporarily power the product when the dome cover is removed. The power button is also used with the control button to reset the camera to factory default settings. See [page 27](#).

## Multicable connectors

When connecting external equipment to the Axis product, an Axis multicable is required in order to maintain the product's IP rating. The Axis multicable can be purchased from your Axis reseller. To locate the multi-connector, see .

The multicable provides the following connectors:

**Power connector** – 3-pin terminal block used for power input. Use a Safety Extra Low Voltage (SELV) compliant limited power source (LPS) with either a rated output power limited to  $\leq 100$  W or a rated output current limited to  $\leq 5$  A.

**Audio in (pink)** – 3.5 mm input for a mono microphone, or a line-in mono signal (left channel is used from a stereo signal).

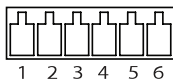
**Audio out (green)** – 3.5 mm output for audio (line level) that can be connected to a public address (PA) system or an active speaker with a built-in amplifier. A stereo connector must be used for the audio out.



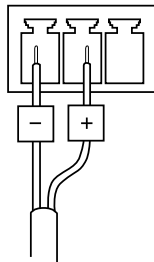
**I/O terminal connector** – Use with external devices in combination with, for example, tampering alarms, motion detection, event triggering, time lapse recording and alarm notifications. In addition to the 0 V DC reference point and power (DC output), the I/O connector provides the interface to:

- **Digital output** – For connecting external devices such as relays and LEDs. Connected devices can be activated by the VAPIX® Application Programming Interface, output buttons on the Live View page or by an Action Rule. The output will show as active (shown under **System Options > Port & Devices > Port Status**) if the alarm device is activated.
- **Digital input** – An alarm input for connecting devices that can toggle between an open and closed circuit, for example: PIRs, door/window contacts, glass break detectors, etc. When a signal is received the state changes and the input becomes active (shown under **System Options > Port & Devices > Port Status**).

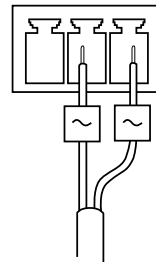
I/O connector



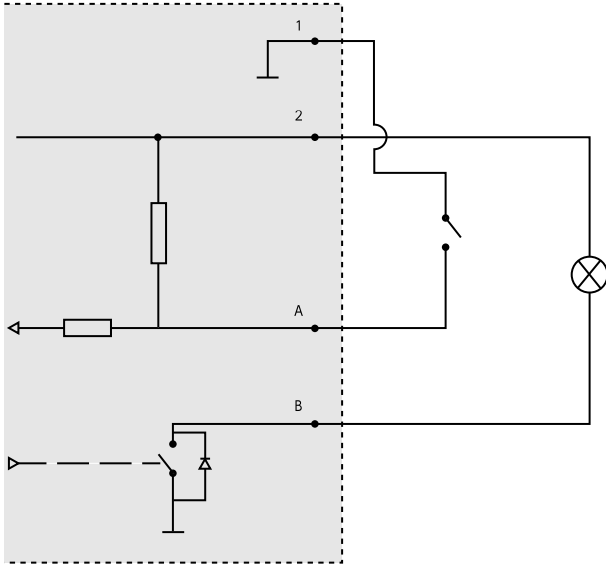
DC power input



AC power input



Function	Pin	Notes	Specifications
0 V DC (-)	1		
DC output	2	Can be used to power auxiliary equipment. Note: This pin can only be used as power out.	3.3 V DC Max load = 250 mA
Configurable (Input or Output)	3–6	Digital input – Connect to pin 1 to activate, or leave floating (unconnected) to deactivate.	0 to max 40 V DC
		Digital output – Connected to pin 1 when activated, floating (unconnected) when deactivated. If used with an inductive load, e.g. a relay, a diode must be connected in parallel with the load, for protection against voltage transients.	0 to max 40 V DC, open drain, 100 mA



- 1 0 V DC (-)
- 2 DC output 3.3 V, max 250 mA
- A I/O configured as input
- B I/O configured as output

## Specifications

### Operating Conditions

The Axis product is intended for indoor use.

Product	Classification	Temperature	Humidity
AXIS Q6042 Mk II AXIS Q6044 AXIS Q6045 Mk II	IEC 60721-4-3 Class 3K3, 3M3 IEC 60529 IP52	0 °C to 50 °C (32 °F to 122 °F)	10-85% RH (non-condensing)

## Storage Conditions

Product	Temperature
AXIS Q6042 Mk II AXIS Q6044 AXIS Q6045 Mk II	-40 °C to 60 °C (-40 °F to 140 °F)

## Power Consumption

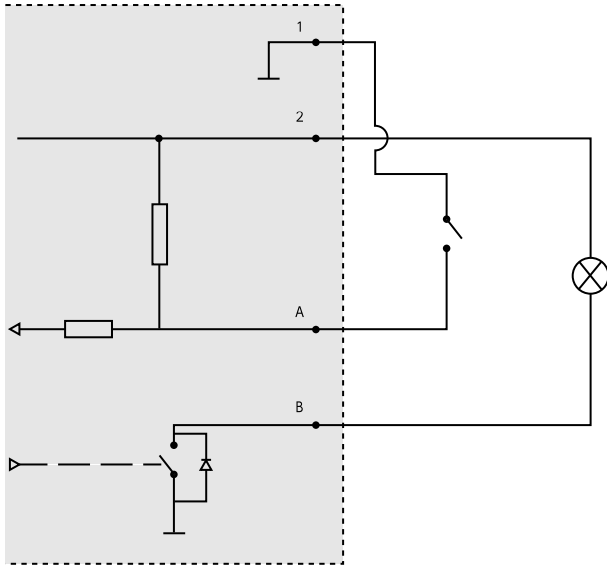
### NOTICE

Use a Safety Extra Low Voltage (SELV) compliant limited power source (LPS) with either a rated output power limited to  $\leq 100$  W or a rated output current limited to  $\leq 5$  A. Axis recommends using the supplied midspan.

Product	Axis PoE+ midspan (included)	DC	AC
AXIS Q6042 Mk II	100–240 V AC, max 37 W, typical 12.3 W	24–34 V DC, max 19 W	20–24 V AC, max 27 VA
AXIS Q6044	100–240 V AC, max 37 W	24–34 V DC, max 17.9 W	20–24 V AC, max 25.9 VA
AXIS Q6045 Mk II	100–240 V AC, max 37 W	24–34 V DC, max 19 W	20–24 V AC, max 27 VA

## Connection Diagrams

### I/O Connector



- 1 0 V DC (-)
- 2 DC output 3.3 V, max 250 mA
- A I/O configured as input
- B I/O configured as output

## Install the hardware

Read all the instructions before installing the product. Some installation steps would benefit from being completed together because they require removal of the dome cover.

### **NOTICE**

- Due to local regulations or the environmental and electrical conditions in which the product is to be used, a shielded network cable (STP) may be appropriate or required. All cables connecting the product to the network and that are routed outdoors or in demanding electrical environments shall be intended for their specific use. Make sure that the network devices are installed in accordance with the manufacturer's instructions. For information about regulatory requirements, see *Regulatory information on page 4*.
- Mount the product with the dome cover facing downward.

- Be careful not to scratch, damage or leave fingerprints on the dome cover because this could decrease image quality. If possible, keep the protective plastic on the dome cover until the installation is complete.

## Change the dome cover (optional)

The premounted clear dome cover can be replaced if you want to use the smoked dome cover or if the dome cover is scratched or damaged. Spare dome covers can be purchased from your Axis reseller

For location of the components, see *Hardware overview on page 12*.

1. Loosen the dome ring screws and remove the dome cover.
2. Remove the dome bracket screws, the dome bracket, and the dome cover from the dome ring.
3. Attach the dome bracket and the dome cover to the dome ring and tighten the screws (torque 1.2 Nm).
4. To install an SD card, see *How to install an SD card (optional) on page 21*.
5. Attach the dome cover to the top cover and tighten the screws (torque 1.5 Nm).

## How to install an SD card (optional)

Installing an SD card is optional. A standard or high capacity SD card (not included) can be used to store recordings locally in the product.

1. Loosen the dome ring screws and remove the dome cover.
2. Insert an SD card into the SD card slot.
3. Attach the dome cover to the top cover and tighten the screws (torque 1.5 Nm).

## How to install the camera

The Axis product can be mounted with the cables routed through or along the wall or ceiling.

Choose one of the following ways to install your camera:

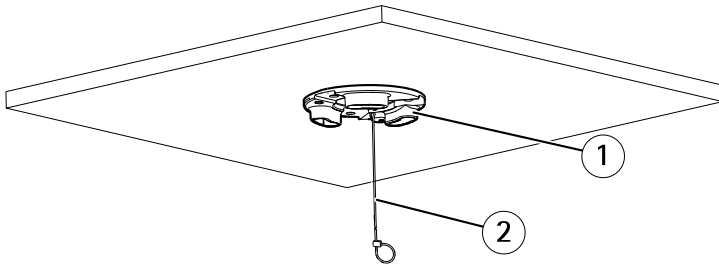
- *Install the camera with a hard ceiling mount on page 21.*
- *Install the camera with a drop ceiling mount on page 23.*
- *Install the camera with a bracket mount on page 25.*

### Install the camera with a hard ceiling mount

1. Prepare the ceiling for installation of the mounting plate. Use the mounting plate as a template to position the holes. Make sure to use drill bits, screws and plugs that are appropriate for the material.

## AXIS Q60 Series

2. Install the mounting plate. The arrow on the mounting plate will align with the logotype on the camera.

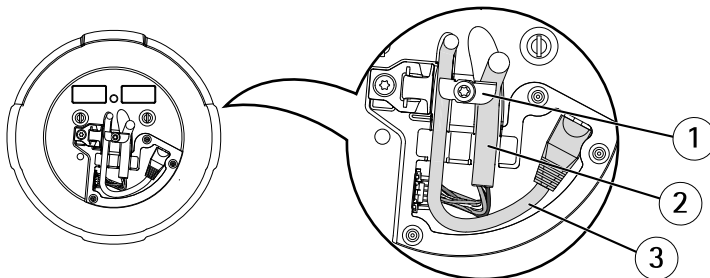


- 1 *Mounting plate*
- 2 *Safety wire*

3. Loosen the camera base lid screws and remove the camera base lid.
4. Secure the camera using the supplied safety wire.
5. Route and connect the network cable and, if used, the multi-connector cable to the camera.

### NOTICE

- Be careful not to damage the cables when connecting them.
- Make sure that the foam gasket holes are aligned with the cable tracks. If using a multi-connector cable, remove the cut-out piece for the multi-connector cable from the foam gasket.



- 1 *Cable holders*
- 2 *Multi-connector cable*
- 3 *Network cable*

6. Turn the cable holders to keep the cables in place.
7. Put the camera base lid back in its original position and tighten the screws (torque 1.5 Nm).

8. Slide the unit holders on the network camera into the slots in the mounting plate and rotate the camera unit.
9. Install the supplied midspan, see the Installation Guide delivered with the midspan or find it on [www.axis.com](http://www.axis.com)

### Install the camera with a drop ceiling mount

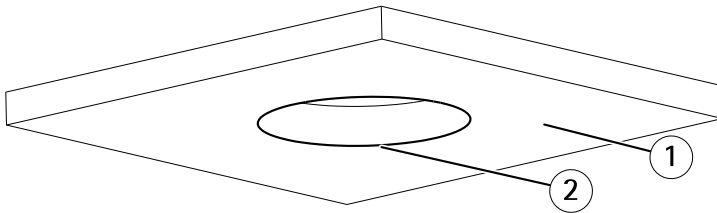
#### **⚠WARNING**

The combined weight of the camera and ceiling mount is approximately 3200 g (7.1 lb). Make sure that the ceiling material is strong enough to support this weight.

#### **NOTICE**

The ceiling tile should be 5–60 mm (3/16–2 3/8 in) thick.

1. Remove the ceiling tile in which the drop ceiling mount is to be fitted.
2. Cut a hole in the ceiling tile for the drop ceiling mount. Use the supplied template to mark the position and cut around the template.

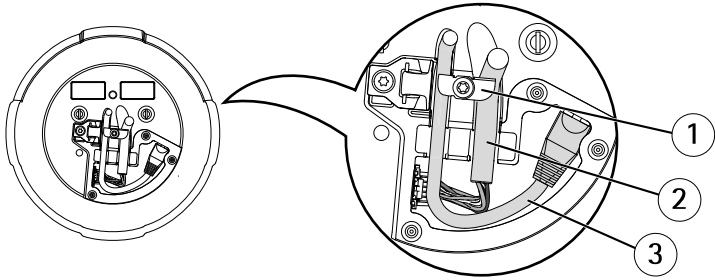


- 1 Ceiling tile
- 2 Hole diameter 225 mm (8 7/8 in)

3. Assemble the ceiling bracket and attach it to the ceiling tile. Make sure the arrows on the mounting plate and the ceiling bracket are pointing in the same direction for the logotypes on the camera and the trim ring to align.
4. Tighten the bracket arm screws.
5. Loosen the camera base lid screws and remove the camera base lid.
6. Route and connect the network cable and, if used, the multi-connector cable to the camera.

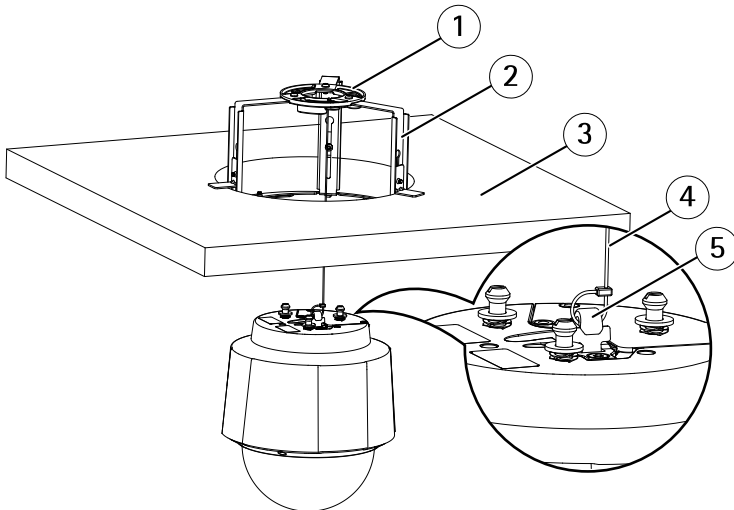
#### **NOTICE**

- Be careful not to damage the cables when connecting them.
- Make sure that the foam gasket holes are aligned with the cable tracks. If using a multi-connector cable, remove the cut-out piece for the multi-connector cable from the foam gasket.



- 1 Cable holders
- 2 Multi-connector cable
- 3 Network cable

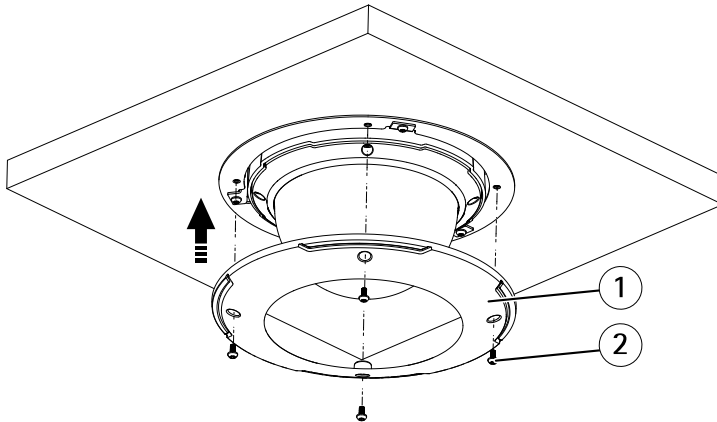
7. Turn the cable holders to keep the cables in place.
8. Put the camera base lid back in its original position and tighten the screws (torque 1.5 Nm).
9. Secure the camera using the supplied safety wire.



- 1 Mounting plate
- 2 Ceiling bracket
- 3 Ceiling tile
- 4 Safety wire
- 5 Hook for safety wire



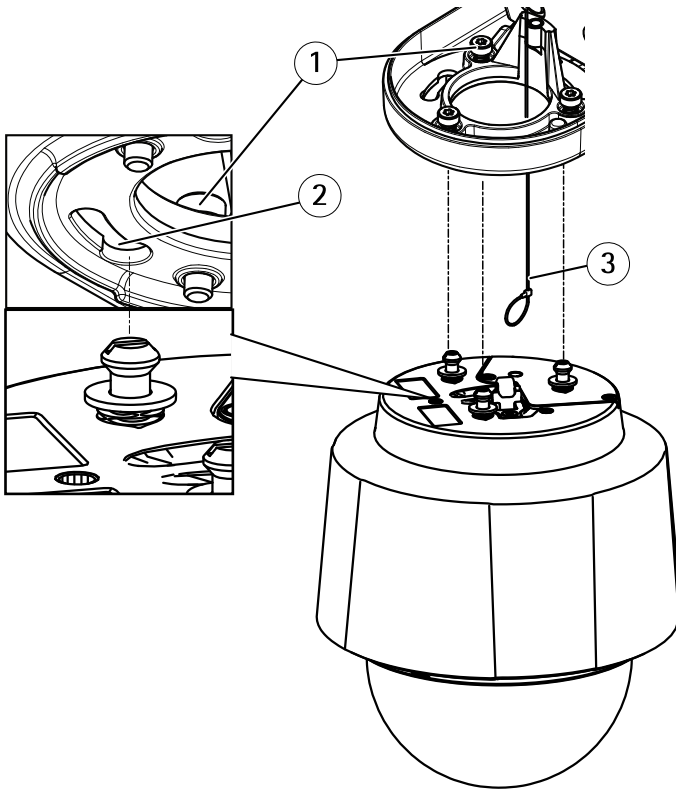
10. Slide the unit holders on the network camera into the slots in the mounting plate and rotate the camera unit.
11. Install the supplied midspan, see the Installation Guide delivered with the midspan or find it on [www.axis.com](http://www.axis.com)
12. Install the ceiling tile with the camera mounted on it.
13. Put the trim ring on the ceiling bracket and tighten the screws.



- 1 Trim ring
- 2 Trim ring screw T20 (4x)

#### Install the camera with a bracket mount

1. Install the selected bracket according to the instructions supplied with the bracket. If drilling is required, make sure to use drill bits, screws and plugs that are appropriate for the material.
2. Loosen the camera base lid screws and remove the camera base lid.
3. Route the network cable and, if used, the multi-connector cable through the holes in the mounting bracket.
4. Secure the camera using the supplied safety wire.

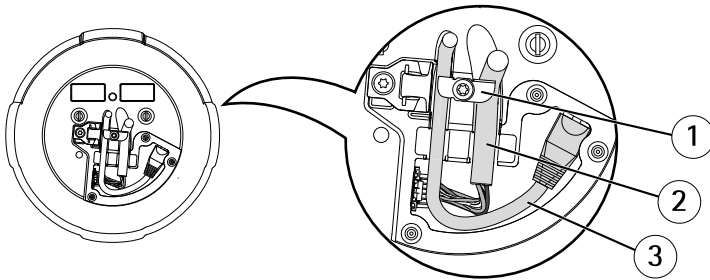


- 1 Screw T30 (3x)
- 2 Slot for unit holder (3x)
- 3 Safety wire

5. Connect the network cable and, if used, the multi-connector cable to the camera.

**NOTICE**

- Be careful not to damage the cables when connecting them.
- Make sure that the foam gasket holes are aligned with the cable tracks. If using a multi-connector cable, remove the cut-out piece for the multi-connector cable from the foam gasket.



- 1 Cable holders
- 2 Multi-connector cable
- 3 Network cable

6. Turn the cable holders to keep the cables in place.
7. Put the camera base lid back in its original position and tighten the screws (torque 1.5 Nm).
8. Slide the unit holders on the network camera into the slots in the mounting bracket and rotate the camera unit.
9. Secure the network camera to the mounting bracket by tightening the screws.
10. Install the supplied midspan, see the Installation Guide delivered with the midspan or find it on [www.axis.com](http://www.axis.com)

## How to access the product

To find Axis devices on the network and assign them IP addresses in Windows®, use AXIS IP Utility or AXIS Device Manager. Both applications are free and can be downloaded from [axis.com/support](http://axis.com/support)

For more information about using the product, see the User Manual available at [axis.com](http://axis.com)

## Reset to factory default settings

### Further information

- For the latest version of this document, see [axis.com](http://axis.com)
- The user manual is available at [axis.com](http://axis.com)
- To check if there is updated firmware available for your device, see [axis.com/support](http://axis.com/support)
- For useful online trainings and webinars, see [axis.com/academy](http://axis.com/academy)

### Warranty information

For information about Axis' product warranty and thereto related information, go to [axis.com/warranty](http://axis.com/warranty).

## Informations sur la sécurité

### Niveaux de risques

#### **▲ DANGER**

Indique une situation dangereuse qui, si elle n'est pas évitée, entraînera le décès ou des blessures graves.

#### **▲ AVERTISSEMENT**

Indique une situation dangereuse qui, si elle n'est pas évitée, pourrait entraîner le décès ou des blessures graves.

#### **▲ ATTENTION**

Indique une situation dangereuse qui, si elle n'est pas évitée, pourrait entraîner des blessures légères ou modérées.

#### **AVIS**

Indique une situation qui, si elle n'est pas évitée, pourrait endommager l'appareil.

### Autres niveaux de message

#### **Important**

Indique les informations importantes, nécessaires pour assurer le bon fonctionnement de l'appareil.

#### **Note**

Indique les informations utiles qui permettront d'obtenir le fonctionnement optimal de l'appareil.

## Consignes de sécurité

### ⚠ AVERTISSEMENT

Le produit Axis doit être installé par un professionnel qualifié et conformément aux lois et réglementations locales en vigueur.

### AVIS

- Le produit Axis doit être utilisé conformément aux lois et règlements locaux.
- Axis recommande d'utiliser un câble réseau blindé (STP).
- Pour pouvoir utiliser le produit Axis à l'extérieur, ou dans des environnements similaires, il doit être installé dans un boîtier d'extérieur homologué.
- Conserver ce produit Axis dans un environnement sec et ventilé.
- Ne pas exposer ce produit Axis aux chocs ou aux fortes pressions.
- Ne pas installer ce produit sur des poteaux, supports, surfaces ou murs instables.
- Utiliser uniquement des outils recommandés pour l'installation de l'appareil Axis. L'application d'une force excessive sur l'appareil avec des outils puissants pourrait l'endommager.
- Ne pas utiliser de produits chimiques, de substances caustiques ou de nettoyeurs pressurisés.
- Utiliser un chiffon propre imbibé d'eau pure pour le nettoyage.
- Utiliser uniquement des accessoires conformes aux caractéristiques techniques de votre produit. Ils peuvent être fournis par Axis ou un tiers. Axis recommande d'utiliser un équipement d'alimentation Axis compatible avec votre produit.
- Utiliser uniquement les pièces de rechange fournies ou recommandées par Axis.
- Ne pas essayer de réparer vous-même ce produit. Contacter l'assistance technique d'Axis ou votre revendeur Axis pour des problèmes liés à l'entretien.
- Évitez de pointer l'objectif de la caméra vers le soleil ou toute autre source de radiation de haute intensité. Cela risque d'endommager la caméra.

## Transport

### AVIS

- Lors du transport du produit Axis, utilisez l'emballage d'origine ou un équivalent pour éviter d'endommager le produit.

## Batterie

Le produit Axis utilise une batterie au lithium CR2032 3,0 V comme alimentation de son horloge en temps réel interne (RTC). Dans des conditions normales, cette batterie a une durée de vie minimale de cinq ans.

**▲ATTENTION**

Ne remplacez pas la batterie vous-même. Contactez le support Axis si le message du journal demande un changement de batterie.

Les piles boutons 3,0 V au lithium contiennent du 1,2-diméthoxyéthane, éthylène glycol diméthyl éther (EGDME), CAS n° 110-71-4.

FR

## Couvercle de dôme

**AVIS**

- Veillez à ne pas rayer, endommager ou laisser d'empreintes sur le couvercle du dôme car cela pourrait altérer la qualité d'image. Laissez, si possible, la protection en plastique sur le couvercle du dôme jusqu'à la fin de l'installation.
- Ne nettoyez pas le couvercle du dôme s'il semble propre à l'œil nu et ne frottez jamais sa surface. Un nettoyage excessif pourrait endommager la surface.
- Pour le nettoyage général du couvercle du dôme, il est recommandé d'utiliser un produit non abrasif, un savon neutre sans solvant ou un détergent mélangé avec de l'eau pure et un chiffon doux propre. Rincez bien à l'eau tiède pure. Séchez avec un chiffon doux et propre pour éviter les tâches d'eau.
- N'utilisez jamais de détergents agressifs, d'essence, de benzène, d'acétone ou autres produits chimiques similaires.
- Évitez de nettoyer le couvercle du dôme dans la lumière directe du soleil ou lorsque les températures sont élevées.
- Vérifiez que le dôme est fixé en mode de fonctionnement, sinon la mise au point peut en être affectée.





## Guide d'installation

Ce guide d'installation explique comment installer l'une des caméras réseau suivantes sur votre réseau :

- Caméra dôme réseau PTZ AXIS Q6042 Mk II
- Caméra dôme réseau PTZ AXIS Q6044
- Caméra dôme réseau PTZ AXIS Q6045 Mk II

Pour toute autre information relative à l'utilisation du produit, consultez le manuel de l'utilisateur disponible sur le site [www.axis.com](http://www.axis.com)

## Procédures d'installation

1. Assurez-vous que les outils et autres matériels nécessaires à l'installation sont inclus dans l'emballage. Cf. *page 33*.
2. Consultez la description du matériel. Cf. *page 34*.
3. Étudiez les caractéristiques. Cf. *page 41*.
4. Installez le matériel. Cf. *page 42*.
5. Utilisez le produit. Cf. *page 49*.

## Contenu de l'emballage

- Caméra réseau
  - Caméra dôme réseau PTZ AXIS Q6042 Mk II, ou
  - Caméra dôme réseau PTZ AXIS Q6044, ou
  - Caméra dôme réseau PTZ AXIS Q6045 Mk II
- Couvercle de dôme transparent non fumé (prémonté)
- Couvercle de dôme transparent fumé
- Kit de fixation au plafond et au faux-plafond
- Injecteur de puissance High PoE+ Axis 1 port (LPS)
- Documents imprimés
  - Guide d'installation (ce document)
  - Gabarit de perçage pour fixation en faux-plafond
  - Étiquette supplémentaire de numéro de série (x2)
  - Clé d'authentification AVHS

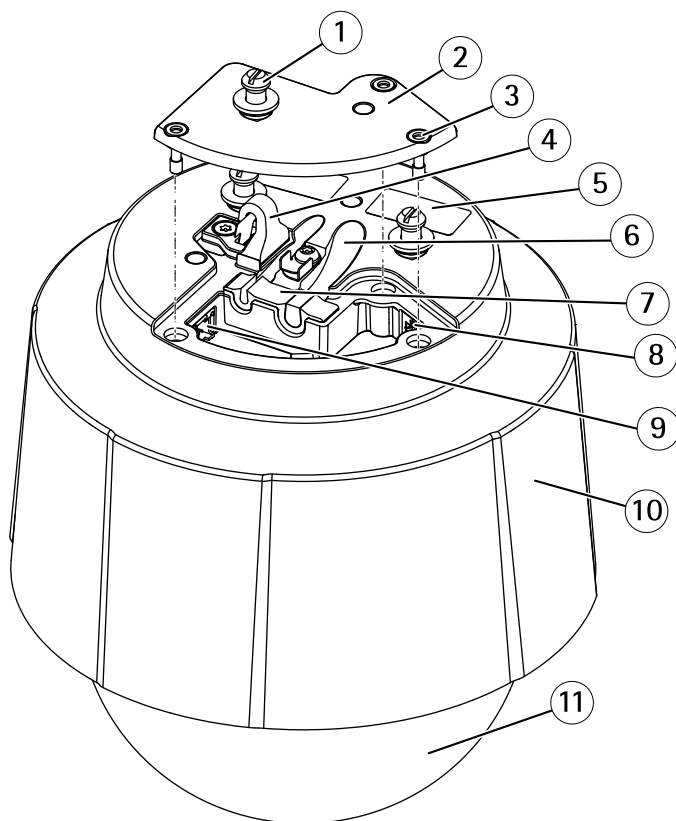
### Accessoires en option

Pour une liste complète des accessoires disponibles pour ce produit, accédez à la page du produit sur [axis.com](http://axis.com) et sélectionnez Logiciel et accessoires.

### Aperçu du matériel

**AVS**

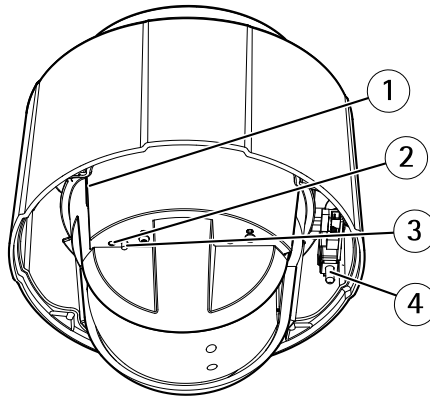
Vérifiez que le dôme est fixé en mode de fonctionnement, sinon la mise au point peut en être affectée.



- 1 Support de l'appareil (x3)
- 2 Couvercle sur la base de la caméra
- 3 Vis du couvercle sur la base de la caméra T20 (3x)
- 4 Crochet pour câble de sécurité

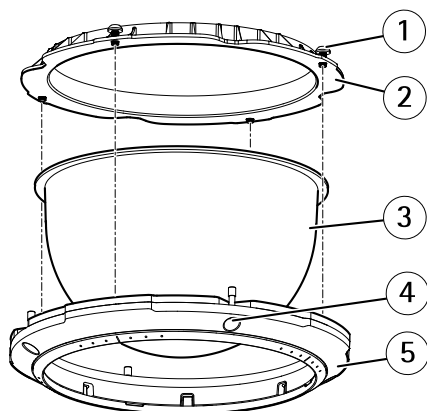
- 5 Référence (P/N) et numéro de série (S/N).
- 6 Porte-câble (2x)
- 7 Joint en mousse
- 8 Connecteur réseau (PoE+)
- 9 Multiconnecteurs
- 10 Couvercle supérieur
- 11 Dôme

## Caméra



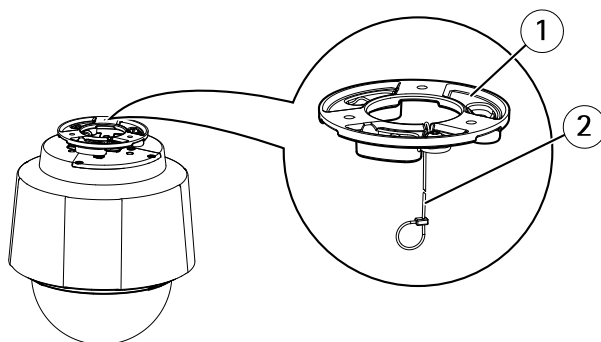
- 1 Emplacement pour carte SD
- 2 Voyant d'état
- 3 Bouton de commande
- 4 Bouton d'alimentation

### Couvercle de dôme



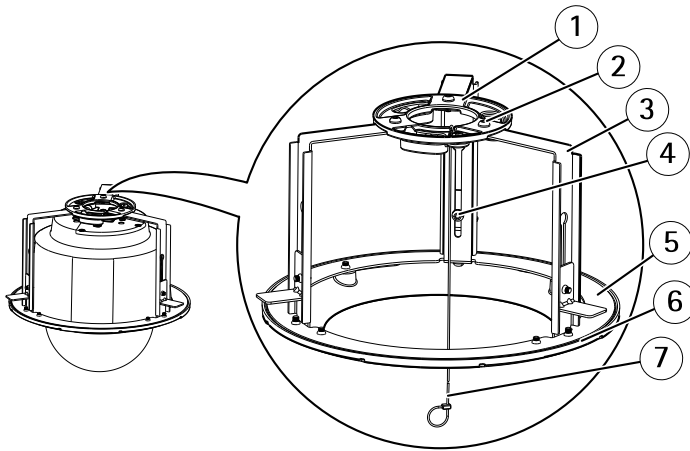
- 1 Vis du support pour caméra dôme T20 (x4)
- 2 Support pour caméra dôme
- 3 Couvercle de dôme
- 4 Vis de la garniture pour caméra dôme T20 (x4)
- 5 Garniture pour caméra dôme

### Fixation au plafond de la caméra



- 1 Plaque de montage
- 2 Câble de sécurité

## Fixation au faux-plafond



- 1 *Plaque de montage*
- 2 *Vis de la plaque de montage T20 (3x)*
- 3 *Bras du support*
- 4 *Vis T20 (3x) et rondelle (3x) du bras du support*
- 5 *Garniture du support*
- 6 *Garniture*
- 7 *Câble de sécurité*

## Voyants

LED de statut	Indication
Éteinte	Branchement et fonctionnement normaux.
Vert	Vert et fixe pendant 10 secondes pour indiquer un fonctionnement normal après le démarrage.
Orange	Fixe pendant le démarrage. Clignote pendant les mises à niveau du microprogramme ou le rétablissement des valeurs par défaut configurées en usine.
Orange / Rouge	Clignote en orange/rouge en cas d'indisponibilité ou de perte de la connexion réseau.
Rouge	Échec de la mise à niveau du firmware.

## Connecteurs et boutons

Pour les caractéristiques et les conditions d'utilisation, consultez *page 41*.

### Connecteur réseau

Connecteur Ethernet RJ45 avec l'alimentation par Ethernet Plus (PoE+).

#### **AVIS**

Utilisez l'injecteur fourni.

#### **AVIS**

Le produit doit être connecté à l'aide d'un câble réseau blindé (STP). Tous les câbles reliant le produit au commutateur réseau doivent être destinés à leur usage spécifique. Assurez-vous que les périphériques réseau sont installés conformément aux instructions du fabricant. Pour plus d'informations sur les exigences réglementaires, consultez *Electromagnetic compatibility (EMC) on page 4*.

### Connecteur E/S et audio

Connecteur pour terminal pour une connexion à l'équipement externe :

- Matériel audio
- Périphériques d'entrée ou de sortie (E/S)

Lorsque vous connectez un équipement externe, un câble multiple Axis est nécessaire pour conserver la classification IP de l'appareil. Pour en savoir plus, consultez *Câble multiple Axis page 39*.

### Fente pour carte SD

#### **AVIS**

- Risque de dommages à la carte SD. N'utilisez pas d'outils tranchants ou d'objets métalliques pour insérer ou retirer la carte SD, et ne forcez pas lors son insertion ou de son retrait. Utilisez vos doigts pour insérer et retirer la carte.
- Risque de perte de données et d'enregistrements corrompus. Ne retirez pas la carte SD pendant que le produit fonctionne. Démontez la carte SD de la page Web du produit avant le retrait.

Ce produit est compatible avec les cartes SD/SDHC/SDXC.

Pour des recommandations sur les cartes SD, rendez-vous sur *axis.com*.

### Bouton de commande

Pour connaître l'emplacement du bouton de commande, consultez .

Le bouton de commande permet de réaliser les opérations suivantes :

- Réinitialisation du produit aux paramètres d'usine par défaut. Cf. *page 49*.
- Connexion au service du Système d'hébergement vidéo AXIS. Pour en savoir plus sur ce service, consultez le site *axis.com*.

### Bouton d'alimentation

Appuyez sur le bouton d'alimentation et maintenez-le enfoncé pour alimenter temporairement le produit lors du retrait du couvercle de dôme. Le bouton d'alimentation est également utilisé avec le bouton de commande pour réinitialiser la caméra aux paramètres d'usine par défaut. Cf. *page 49*.

FR

### Câble multiple Axis

Lorsque vous connectez un équipement externe au produit Axis, un câble multiple Axis est nécessaire pour conserver la classification IP de l'appareil. Le câble multiple Axis peut être acheté auprès d'un revendeur Axis. Pour localiser le multiconnecteur, reportez-vous à *Aperçu du matériel page 34*.

Le câble multiple fournit les connecteurs suivants :

**Connecteur d'alimentation** – Bloc terminal à 3 broches utilisé pour l'alimentation à l'arrivée. Utilisez une source d'alimentation limitée (LPS) conforme aux exigences de Très basse tension de sécurité (TBTS) dont la puissance de sortie nominale est limitée à  $\leq 100$  W ou dont le courant de sortie nominal est limité à  $\leq 5$  A.

**Entrée audio (rose)** – Entrée de 3,5 mm pour microphone mono ou signal mono avec entrée de ligne (le canal gauche d'un signal stéréo est utilisé).

**Sortie audio (verte)** – Sortie audio de 3,5 mm (niveau de ligne) qui peut être connectée à un système de sonorisation (PA) ou à un haut-parleur actif avec amplificateur intégré. Un connecteur stéréo doit être utilisé pour la sortie audio.

**Connecteur pour terminal E/S** – Utilisez avec des périphériques externes associés aux applications telles que les alarmes de détérioration, la détection de mouvement, le déclenchement d'événements, l'enregistrement à intervalles et les notifications d'alarme. En plus du point de référence 0 V CC et de l'alimentation (sortie CC), le connecteur d'E/S fournit une interface aux éléments suivants :

- Sortie numérique – Permet de connecter des dispositifs externes, comme des relais ou des voyants. Les appareils connectés peuvent être activés par l'interface de programmation VAPIX®, les boutons de sortie sur la page Live View (Vidéo en direct) ou par une règle d'action. La sortie est considérée comme étant active (affichée dans *System Options > Port & Devices > Port Status (Options système > Port et périphériques > État du port)*) si le dispositif de l'alarme est activé.
- Entrée numérique – Entrée d'alarme utilisée pour connecter des dispositifs pouvant passer d'un circuit ouvert à un circuit fermé, par exemple : détecteurs infrarouge passifs, contacts de porte/fenêtre, détecteurs de bris de verre, etc. À la réception d'un signal, l'état change et l'entrée s'active (sous *System Options*

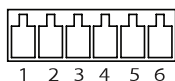
## AXIS Q60 Series

> Port Et Devices > Port Status (Options du système > Port et dispositifs > État du port)).

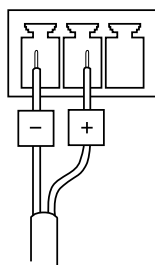
Fonction	Broche	Notes	Caractéristiques
0 V CC (-)	1		
Sortie CC	2	Peut servir à alimenter le matériel auxiliaire. Remarque : cette broche ne peut être utilisée que comme sortie d'alimentation.	3.3 V CC Charge maximale = 250 mA
Configurable (entrée ou sortie)	3-6	Entrée numérique – Connectez-la à la broche 1 pour l'activer ou laissez-la flotter (déconnectée) pour la désactiver.	0 à 40 V CC
		Sortie numérique – Connectée à la broche 1 lorsqu'elle est activée, flotte (déconnectée) lorsqu'elle est désactivée. Si vous l'utilisez avec une charge inductive, par exemple un relais, une diode doit être connectée en parallèle avec la charge, en guise de protection contre les tensions transitoires.	0 à 40 V CC max., drain ouvert, 100 mA

Pour un exemple de schéma, consultez *Schémas de connexion page 42*.

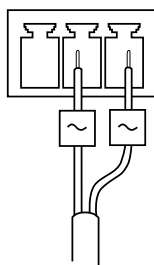
Connecteur d'E/S



Entrée d'alimentation CC



Entrée d'alimentation CA





## Caractéristiques techniques

### Conditions d'utilisation

Le produit Axis est uniquement destiné à une utilisation en intérieur.

Produit	Classification	+Température	Humidité
AXIS Q6042 Mk II AXIS Q6044 AXIS Q6045 Mk II	IEC 60721-4-3 Classe 3K3, 3M3 IEC 60529 IP52	0 °C à 50 °C (32 °F à 122 °F)	Humidité relative de 10 à 85 % (sans condensation)

### Conditions de stockage

Produit	Température
AXIS Q6042 Mk II AXIS Q6044 AXIS Q6045 Mk II	De -40 °C à 60 °C (-40 °F à 140 °F)

### Consommation électrique

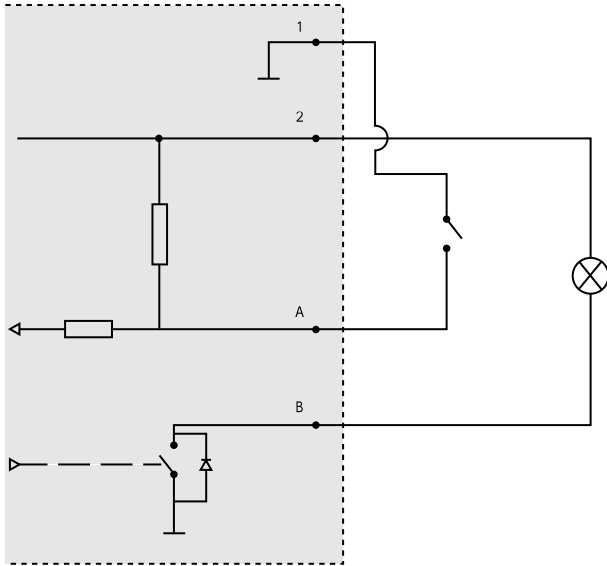
#### AVIS

Utilisez une source d'alimentation limitée (LPS) conforme aux exigences de Très basse tension de sécurité (TBTS) dont la puissance de sortie nominale est limitée à  $\leq 100$  W ou dont le courant de sortie nominal est limité à  $\leq 5$  A. Axis recommande d'utiliser l'injecteur fourni.

Produit	Injecteur de puissance High PoE+ Axis (inclus)	CC	CA
AXIS Q6042 Mk II	100–240 V CA, max 37 W, standard 12,3 W	24–34 V CC, max 19 W	20–24 V CA, max 27 VA
AXIS Q6044	100–240 V CA, max 37 W	24–34 V CC, max 17,9 W	20–24 V CA, max 25,9 VA
AXIS Q6045 Mk II	100–240 V CA, max 37 W	24–34 V CC, max 19 W	20–24 V CA, max 27 VA

## Schémas de connexion

### Connecteur d'E/S



- 1 0 V CC (-)
- 2 Sortie CC 3,3 V, maxi. 250 mA
- A Entrée/sortie configurée comme entrée
- B Entrée/sortie configurée comme sortie

## Installation du matériel

Lisez toutes les instructions avant l'installation de l'appareil. Il serait préférable de réaliser certaines étapes en même temps parce qu'elles exigent le retrait du couvercle du dôme.

### AVIS

- les réglementations locales ou les conditions environnementales et électriques dans lesquelles le produit est utilisé peuvent nécessiter l'utilisation d'un câble réseau blindé (STP). Tous les câbles réseau qui sont acheminés à l'extérieur ou dans des environnements électriques exigeants doivent être destinés à leur usage spécifique. Assurez-vous que les périphériques réseau sont installés conformément aux instructions du fabricant. Pour plus d'informations sur les exigences réglementaires, consultez *Regulatory information* on page 4.
- Fixez le produit en orientant le couvercle du dôme vers le bas.

- Veillez à ne pas rayer, endommager ou laisser d'empreintes sur le couvercle du dôme car cela pourrait altérer la qualité d'image. Laissez, si possible, la protection en plastique sur le couvercle du dôme jusqu'à la fin de l'installation.

## Remplacement du couvercle de dôme (en option)

Le couvercle du dôme prémonté peut être remplacé si vous souhaitez utiliser le couvercle de dôme fumé ou si le couvercle du dôme est rayé ou endommagé. Vous pouvez acheter des couvercles de dôme fumés de rechange auprès de votre revendeur Axis.

Pour connaître l'emplacement des composants, consultez *Aperçu du matériel* page 34.

1. Desserrez les vis de la garniture pour caméra dôme et retirez le couvercle du dôme.
2. Dévissez le support du dôme, puis retirez le support et le couvercle du dôme de la garniture.
3. Fixez le support et le couvercle du dôme à la garniture puis serrez les vis (couple 1,2 Nm).
4. Pour installer une carte SD, consultez *Installation d'une carte SD (facultatif)* page 43.
5. Fixez le couvercle du dôme sur le couvercle supérieur et serrez les vis (couple 1,5 Nm).

## Installation d'une carte SD (facultatif)

L'installation d'une carte SD est facultative. Une carte SD standard ou à haute capacité (non fournie) peut être utilisée pour sauvegarder des enregistrements dans l'appareil.

1. Desserrez les vis de la garniture pour caméra dôme et retirez le couvercle du dôme.
2. Insérez une carte SD dans l'emplacement pour carte SD.
3. Fixez le couvercle du dôme sur le couvercle supérieur et serrez les vis (couple 1,5 Nm).

## Comment installer la caméra

Le produit Axis peut être monté avec des câbles acheminés à travers ou le long du mur ou du plafond.

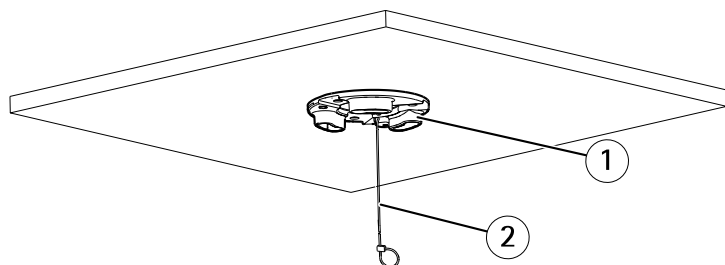
Choisissez l'une des méthodes suivantes pour installer votre caméra :

- *Installation de la caméra avec une fixation au plafond* page 43.
- *Installation de la caméra avec une fixation au faux-plafond* page 45.
- *Installation de la caméra avec un support de fixation* page 47.

### Installation de la caméra avec une fixation au plafond

1. Préparez le plafond pour l'installation de la plaque de montage. Utilisez la plaque de fixation comme gabarit de perçage des trous. Assurez-vous d'utiliser les forets, les vis et les chevilles qui soient appropriés pour le matériau.

2. Installation de la plaque de montage. La flèche située sur la plaque de fixation s'aligne avec le logo de la caméra.

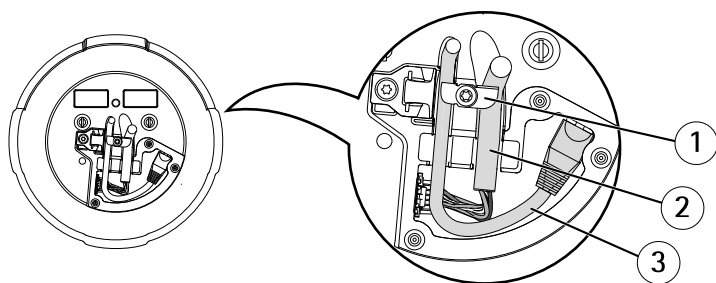


- 1 *Plaque de montage*
- 2 *Câble de sécurité*

3. Dévissez les vis fixant le couvercle sur la base de la caméra et retirez le couvercle de la base.
4. Sécurisez la caméra à l'aide du câble de sécurité fourni.
5. Acheminez et connectez le câble réseau et, en cas d'utilisation, le câble multiconnecteurs à la caméra.

### AVIS

- Veillez à ne pas endommager les câbles lorsque vous les connectez.
- Assurez-vous que les trous du joint en mousse sont alignés avec les porte-câbles. En cas d'utilisation d'un câble multiconnecteurs, retirez la pièce découpée du câble multiconnecteurs sur le joint en mousse.



- 1 *Supports des câbles*
- 2 *Câble multiconnecteurs*
- 3 *Câble réseau*

6. Retournez les supports des câbles pour maintenir les câbles en place.

7. Remettez le couvercle sur la base de la caméra dans sa position d'origine et serrez les vis (couple 1,5 Nm).
8. Glissez les supports de l'appareil sur la caméra réseau dans les fentes de la plaque de montage et faites tourner la caméra.
9. Installez l'injecteur fourni. Reportez-vous au Guide d'installation fourni avec l'injecteur ou téléchargez-le depuis [www.axis.com](http://www.axis.com)

## Installation de la caméra avec une fixation au faux-plafond

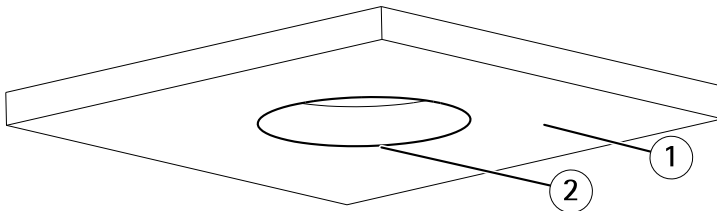
### **▲AVERTISSEMENT**

Le poids cumulé de la caméra et du kit de montage est d'environ 3 200 g (7,1 lb). Assurez-vous que le matériau du plafond est assez solide pour supporter ce poids.

### **AVIS**

La dalle de plafond doit avoir une épaisseur comprise entre 5 et 60 mm (0,2 et 2,43/16–2 3/8 po).

1. Retirez la dalle de plafond sur laquelle la fixation pour faux-plafond doit être montée.
2. Formez un trou dans la dalle de plafond pour la fixation pour faux-plafond. Utilisez le modèle fourni pour marquer la position et découper autour du modèle.



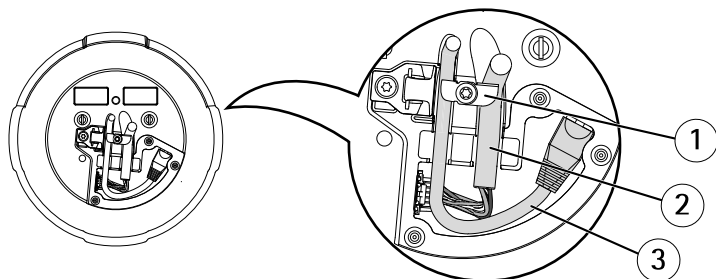
- 1 *Dalle de plafond*
- 2 *Diamètre du trou 225 mm (8 7/8 po)*

3. Assemblez le support plafonnier et fixez-le à la dalle de plafond. Assurez-vous que les flèches de la plaque de fixation et du support plafonnier sont orientées dans la même direction pour aligner les logos de la caméra sur la garniture.
4. Serrez les vis du bras du support.
5. Dévissez les vis fixant le couvercle sur la base de la caméra et retirez le couvercle de la base.
6. Acheminez et connectez le câble réseau et, en cas d'utilisation, le câble multiconnecteurs à la caméra.

### **AVIS**

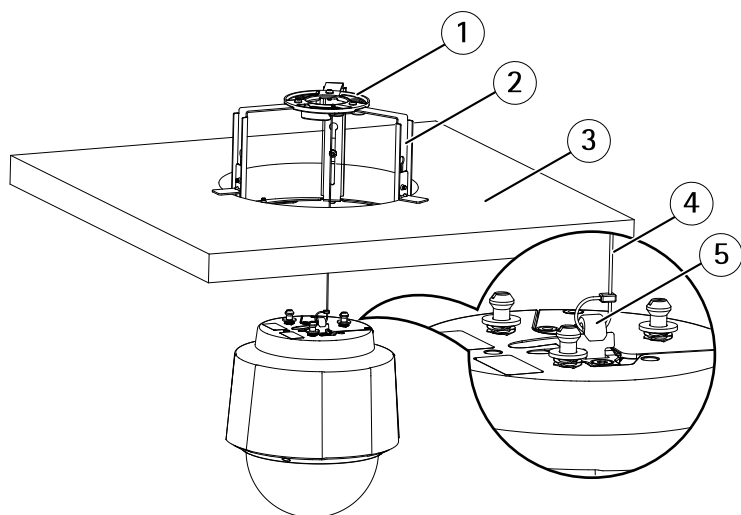
- Veillez à ne pas endommager les câbles lorsque vous les connectez.

- Assurez-vous que les trous du joint en mousse sont alignés avec les porte-câbles. En cas d'utilisation d'un câble multiconnecteurs, retirez la pièce découpée du câble multiconnecteurs sur le joint en mousse.



- 1 Supports des câbles
- 2 Câble multiconnecteurs
- 3 Câble réseau

7. Retournez les supports des câbles pour maintenir les câbles en place.
8. Remettez le couvercle sur la base de la caméra dans sa position d'origine et serrez les vis (couple 1,5 Nm).
9. Sécurisez la caméra à l'aide du câble de sécurité fourni.

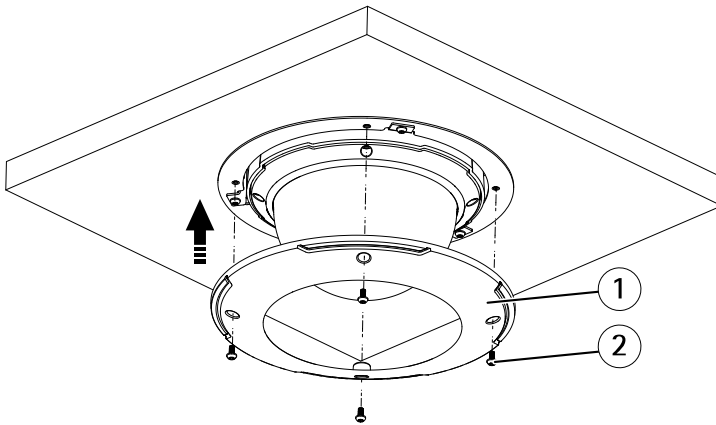


- 1 Plaque de montage
- 2 Support plafonnier

- 3 *Dalle de plafond*
- 4 *Câble de sécurité*
- 5 *Crochet pour câble de sécurité*

10. Glissez les supports de l'appareil sur la caméra réseau dans les fentes de la plaque de montage et faites tourner la caméra.
11. Installez l'injecteur fourni. Reportez-vous au Guide d'installation fourni avec l'injecteur ou téléchargez-le depuis [www.axis.com](http://www.axis.com)
12. Installez la dalle de plafond avec la caméra fixée dessus.
13. Placez la garniture sur le support plafonnier et serrez les vis.

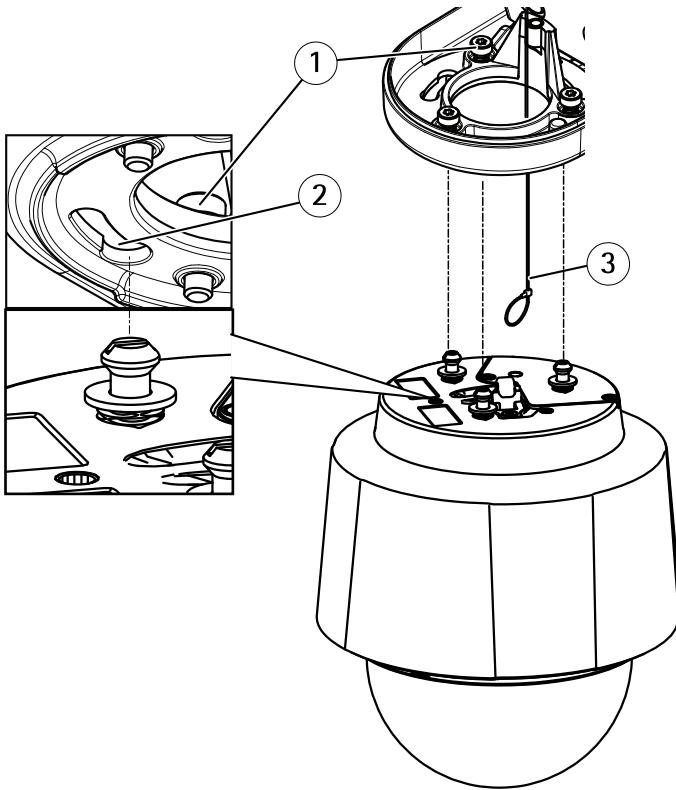
FR



- 1 *Garniture*
- 2 *Vis de la garniture T20 (4x)*

### Installation de la caméra avec un support de fixation

1. Installez le support choisi conformément aux instructions fournies avec le support. S'il s'avère nécessaire de percer, vérifiez que les forets, vis et chevilles à utiliser sont appropriés pour le matériau.
2. Dévissez les vis fixant le couvercle sur la base de la caméra et retirez le couvercle de la base.
3. Acheminez le câble réseau et, en cas d'utilisation, le câble multiconnecteurs à travers les orifices du support de montage.
4. Sécurisez la caméra à l'aide du câble de sécurité fourni.



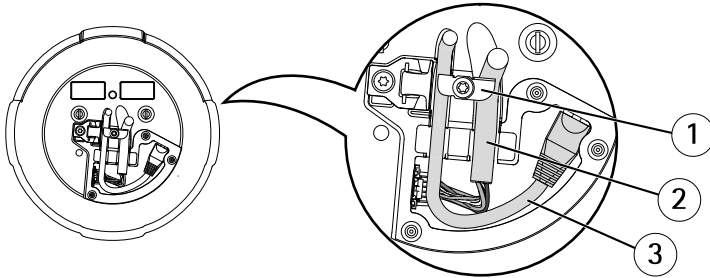
- 1 Vis T30 (x3)
- 2 Trou pour support de la caméra (x3)
- 3 Câble de sécurité

5. Connectez le câble réseau et, en cas d'utilisation, le câble multiconnecteurs à la caméra.

### AVIS

- Veillez à ne pas endommager les câbles lorsque vous les connectez.
- Assurez-vous que les trous du joint en mousse sont alignés avec les porte-câbles. En cas d'utilisation d'un câble multiconnecteurs, retirez la pièce découpée du câble multiconnecteurs sur le joint en mousse.





- 1 Supports des câbles
- 2 Câble multiconnecteurs
- 3 Câble réseau

6. Retournez les supports des câbles pour maintenir les câbles en place.
7. Remettez le couvercle sur la base de la caméra dans sa position d'origine et serrez les vis (couple 1,5 Nm).
8. Glissez les supports de l'appareil sur la caméra réseau dans les fentes du support de montage et faites tourner la caméra.
9. Sécurisez la caméra réseau sur le support de montage en serrant les vis.
10. Installez l'injecteur fourni. Reportez-vous au Guide d'installation fourni avec l'injecteur ou téléchargez-le depuis [www.axis.com](http://www.axis.com)

FR

## Comment accéder au produit

Pour trouver les périphériques Axis présents sur le réseau et leur attribuer des adresses IP sous Windows®, utilisez AXIS IP Utility ou AXIS Device Manager. Ces applications sont gratuites et peuvent être téléchargées via [axis.com/support](http://axis.com/support)

Pour plus d'informations sur l'utilisation du produit, consultez le Manuel de l'utilisateur disponible sur [axis.com](http://axis.com)

## Réinitialiser les paramètres par défaut

### Informations complémentaires

- Pour obtenir la version la plus à jour de ce document, voir [axis.com](http://axis.com)
- Le manuel d'utilisateur est disponible sur le site [axis.com](http://axis.com)
- Pour vérifier s'il existe un firmware mis à jour pour votre appareil, voir [axis.com/support](http://axis.com/support)
- Pour accéder à des formations et webinaires en ligne utiles, voir [axis.com/academy](http://axis.com/academy)

### Informations sur la garantie

Pour plus d'informations sur la garantie du produit Axis et des informations connexes, rendez-vous sur [axis.com/warranty](https://axis.com/warranty).

## Sicherheitsinformationen

### Gefährdungsstufen

#### **▲GEFAHR**

Weist auf eine gefährliche Situation hin, welche, falls nicht verhindert, zu Tod oder schweren Verletzungen führen kann.

#### **▲WARNUNG**

Weist auf eine gefährliche Situation hin, welche, falls nicht verhindert, zu Tod oder schweren Verletzungen führen kann.

#### **▲VORSICHT**

Weist auf eine gefährliche Situation hin, welche, falls nicht verhindert, zu geringfügiger oder mäßiger Verletzung führen kann.

#### **HINWEIS**

Weist auf eine gefährliche Situation hin, welche, falls nicht verhindert, zu Sachschäden führen kann.

DE

### Andere Meldeebenen

#### Wichtig

Weist auf wichtige Informationen hin, die den richtigen Betrieb des Produkts gewährleisten.

#### Beachten

Weist auf nützliche Informationen hin, die die optimale Verwendung des Produkts unterstützen.

## Sicherheitsanweisungen

### **⚠WARNUNG**

Das Axis Produkt muss von fachmännisch geschultem Personal und unter Einhaltung der örtlich geltenden Bestimmungen installiert werden.

### **HINWEIS**

- Das Axis Produkt muss unter Beachtung der geltenden Gesetze und Bestimmungen betrieben werden.
- Axis empfiehlt, ein abgeschirmtes Netzwerk-Kabel (STP) zu verwenden.
- Für den Einsatz von Axis Produkten im Außenbereich oder ähnlichen Umgebungen müssen diese in für den Außenbereich zugelassenen Gehäusen installiert werden.
- Lagern Sie das Axis Produkt in einer trockenen und belüfteten Umgebung.
- Das Axis Produkt weder Stößen noch starkem Druck aussetzen.
- Das Produkt nicht an instabilen Masten, Halterungen, Oberflächen oder Wänden anbringen.
- Verwenden Sie bei der Installation des Axis Produkts ausschließlich passende Werkzeuge. Ein zu großer Kraftaufwand mit elektrischen Werkzeugen kann das Produkt beschädigen.
- Verwenden Sie keine chemischen, ätzenden oder aerosolhaltigen Reinigungsmittel.
- Verwenden Sie zum Reinigen ein sauberes, mit destilliertem Wasser angefeuchtetes Tuch.
- Verwenden Sie nur Zubehör, das den technischen Vorgaben Ihres Produkts entspricht. Dieses ist von Axis oder Drittanbietern erhältlich. Axis empfiehlt die mit Ihrem Produkt kompatible Stromversorgung von Axis.
- Verwenden Sie ausschließlich Ersatzteile die von Axis angeboten oder empfohlen werden.
- Versuchen Sie nicht, dieses Produkt selbsttätig zu reparieren. Wenden Sie sich bezüglich Reparatur und Wartung an den Axis Support oder Ihren Axis Händler.
- Richten Sie das Kameraobjektiv nicht direkt auf die Sonne oder andere starke Lichtquellen, um eine Beschädigung der Kamera zu vermeiden.

## Transport

### **HINWEIS**

- Bei Bedarf transportieren Sie das Axis Produkt in der Originalverpackung oder einer entsprechenden Verpackung, so dass Schäden vermieden werden.

## Batterie

Das Axis Produkt ist mit einer 3,0 V-CR2032-Lithium-Batterie ausgestattet, mit der die interne Echtzeituhr (RTC) versorgt wird. Unter normalen Bedingungen hat die Batterie eine Lebensdauer von mindestens fünf Jahren.

### **⚠VORSICHT**

Tauschen Sie die Batterie nicht selbst aus. Wenden Sie sich an den Axis Support, wenn die Protokollnachricht einen Batterietausch anfordert.

Lithium-Knopfzellen (3,0 V) enthalten 1,2-Dimethoxyethan; Ethylenglycoldimethylether (EGDME), CAS-Nr. 110-71-4.

## Kuppelabdeckung

### HINWEIS

- Achten Sie darauf, die Kuppelabdeckung weder zu zerkratzen, zu beschädigen oder darauf Fingerabdrücke zu hinterlassen, da dies die Bildqualität beeinträchtigen kann. Falls möglich, entfernen Sie die Schutzfolie erst nach Abschluss der Installation.
- Säubern Sie die Kuppelabdeckung nicht, wenn diese sauber erscheint, und polieren Sie niemals die Oberfläche. Zu häufiges Säubern kann die Oberfläche beschädigen.
- Für die normale Reinigung der Kuppelabdeckung werden eine nicht-scheuernde, lösungsmittelfreie neutrale Seife oder ein entsprechendes Reinigungsmittel mit destilliertem Wasser und ein sauberer, weicher Lappen empfohlen. Spülen Sie die Kuppelabdeckung gründlich mit lauwarmem destilliertem Wasser ab. Trocknen Sie die Kuppelabdeckung mit einem weichen, sauberen Tuch, um Wasserflecken zu vermeiden.
- Keine aggressiven Reinigungsmittel, Waschbenzin, Benzol, Aceton oder ähnliche Chemikalien verwenden.
- Die Kuppelabdeckung nicht in direktem Sonnenlicht oder bei erhöhten Temperaturen säubern.
- Die Kamera darf nur mit angebrachter Kuppel betrieben werden, damit der Fokus nicht beeinträchtigt wird.

DE



## Installationsanleitung

In dieser Anleitung wird die Installation der folgenden Netzwerk-Kameras in Ihrem Netzwerk beschrieben:

- AXIS Q6042 Mk II-PTZ-Dome-Netzwerk-Kamera
- AXIS Q6044-PTZ-Dome-Netzwerk-Kamera
- AXIS Q6045 Mk II-PTZ-Dome-Netzwerk-Kamera

Weitere Informationen zur Nutzung dieses Produkts finden Sie im Benutzerhandbuch unter [www.axis.com](http://www.axis.com).

## Installationsschritte

1. Stellen Sie sicher, dass die Packungsinhalte, Werkzeuge und andere notwendige Materialien für die Installation in Ordnung sind. Siehe *Seite 55*.
2. Machen Sie sich mit der Hardware-Übersicht vertraut. Siehe *Seite 56*.
3. Machen Sie sich mit den technischen Daten vertraut. Siehe *Seite 62*.
4. Installieren Sie die Hardware. Siehe *Seite 64*.
5. Zugriff auf das Produkt. Siehe *Seite 71*.

## Lieferumfang

- Netzwerk-Kamera
  - AXIS Q6042 Mk II-PTZ-Dome-Netzwerk-Kamera
  - AXIS Q6044-PTZ-Dome-Netzwerk-Kamera
  - AXIS Q6045 Mk II-PTZ-Dome-Netzwerk-Kamera
- Klare, transparente Kuppelabdeckung (vormontiert)
- Getönte, transparente Kuppelabdeckung
- Montageset für die Befestigung an Massivdecken und und abgehängten Decken
- Axis PoE+ Midspan 1-Port (LPS)
- Gedruckte Dokumente
  - Installationsanleitung (dieses Dokument)
  - Bohrschablone für abgehängte Decken
  - Zusätzliche Etiketten mit der Seriennummer (2x)
  - AVHS-Authentifizierungsschlüssel

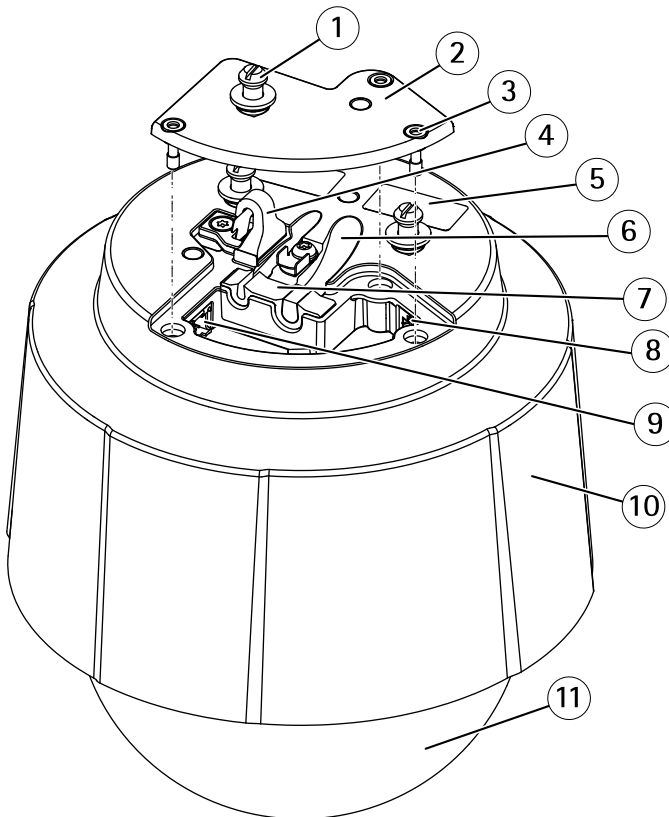
## Optionales Zubehör

Eine vollständige Liste lieferbaren Zubehörs für dieses Produkt finden Sie auf [axis.com](http://axis.com) unter Produkt, Software und Zubehör.

## Übersicht über die Hardware

### HINWEIS

Die Kamera darf nur mit angebrachter Kuppel betrieben werden, damit der Fokus nicht beeinträchtigt wird.



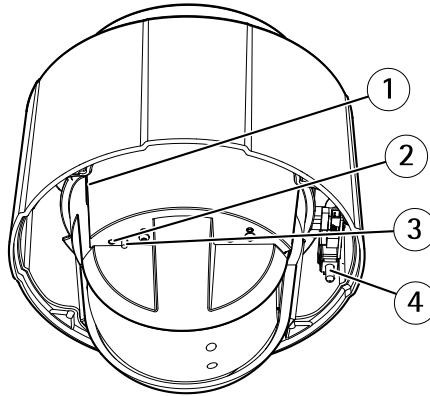
- 1 Gerätehalter (3x)
- 2 Kamera-Grundplatte
- 3 Schraube für die Kamera-Grundplatte T20 (3x)
- 4 Haken für Sicherheitsdraht



- 5 Bestellnummer (P/N) und Seriennummer (S/N)
- 6 Kabelbahn (2x)
- 7 Schaumstoffdichtung
- 8 Netzwerkanschluss (PoE+)
- 9 Mehrfachanschluss
- 10 Obere Abdeckung
- 11 Kuppel

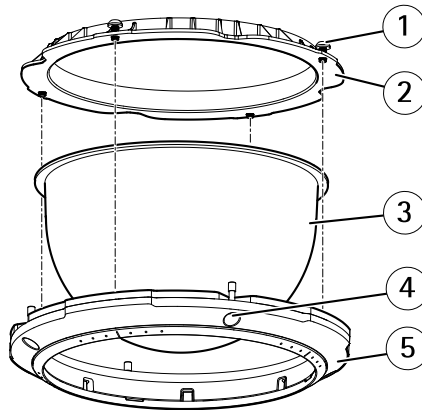
## Kameraeinheit

DE



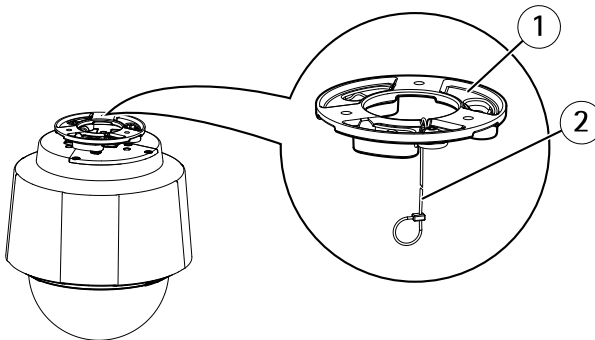
- 1 SD-Kartensteckplatz
- 2 LED-Statusanzeige
- 3 Steuertaste
- 4 Netzschalter

## Kuppelabdeckung



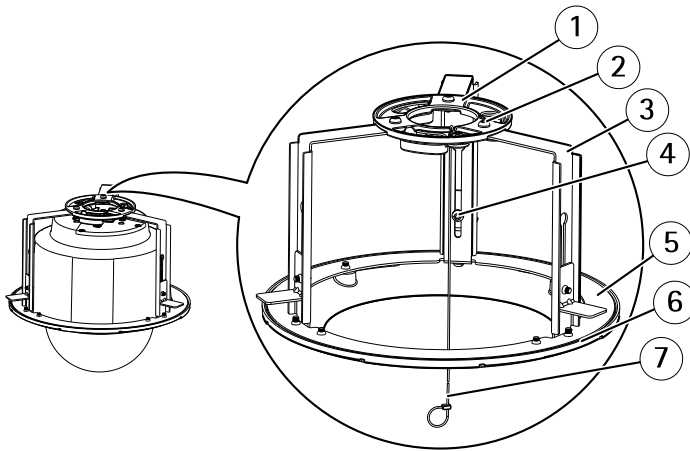
- 1 Kuppelhalterungsschraube T20 (4x)
- 2 Kuppelhalterung
- 3 Kuppelabdeckung
- 4 Kuppelringschraube T20 (4x)
- 5 Kuppelring

## Halterung für Massivdecken



- 1 Montageplatte
- 2 Sicherheitsdraht

## Halterung für abgehängte Decken



- 1 Montageplatte
- 2 Montagelattenschraube T20 (3x)
- 3 Halterungsarm
- 4 Halterungsarmschraube T20 (3x) und Unterlegscheibe (3x)
- 5 Halterungsring
- 6 Klemmflansch
- 7 Sicherheitsdraht

## LEDs

LED-Statusanzeige	Bedeutung
Leuchtet nicht	Anschluss und Normalbetrieb.
Grün	Leuchtet bei Normalbetrieb nach Abschluss des Startvorgangs 10 Sekunden dauerhaft grün.
Gelb	Leuchtet beim Start. Blinkt während Firmware-Aktualisierung und Wiederherstellung der Werkseinstellungen.
Gelb/rot	Blinkt gelb/rot, wenn die Netzwerkverbindung nicht verfügbar ist oder unterbrochen wurde.
Rot	Aktualisierung der Firmware fehlgeschlagen.

## Anschlüsse und Tasten

Für die technischen Daten und Betriebsbedingungen siehe Seite 62.

## Netzwerkanschluss

RJ45-Ethernetanschluss mit Power over Ethernet Plus (PoE+).

### **HINWEIS**

Verwenden Sie den mitgelieferten Midspan.

### **HINWEIS**

Das Produkt muss mit einem abgeschirmten Netzkabel (STP) angeschlossen werden. Alle Kabel, die das Produkt mit dem Netzwerkschalter verbinden, müssen hierfür ausgelegt sein. Stellen Sie sicher, dass die Netzwerkgeräte gemäß den Anweisungen des Herstellers installiert wurden. Informationen zu gesetzlichen Bestimmungen finden Sie unter *Electromagnetic compatibility (EMC) on page 4*.

## E/A- und Audio-Anschluss

Anschlussleiste für externe Geräte:

- Audio-Geräte
- Eingabe-/Ausgabegeräte (E/A)

Zum Anschließen externer Geräte ist ein Axis Mehrfachkabel erforderlich, um die IP-Schutzklasse des Produkts zu gewährleisten. Weitere Informationen finden Sie unter *Axis Mehrfachkabel auf Seite 61*.

## Einschub für SD-Speicherkarte

### **HINWEIS**

- Gefahr von Schäden an der SD-Karte. Beim Einsetzen oder Entfernen der SD-Karte keine scharfen Werkzeuge oder Gegenstände aus Metall benutzen und keine übermäßige Kraft anwenden. Setzen Sie die Karte per Hand ein. Das Gleiche gilt für das Entfernen.
- Gefahr von Datenverlust und Beschädigung von Aufzeichnungen. Die SD-Karte darf nicht entfernt werden, während das Produkt in Betrieb ist. Erst die SD-Karte über die Produktwebseite trennen, dann ausbauen.

Dieses Axis Produkt unterstützt Karten des Typs SD/SDHC/SDXC.

Für Empfehlungen zu SD-Karten siehe [axis.com](http://axis.com).

## Steuertaste

Zur Lage der Steuertaste, siehe .

Die Steuertaste hat folgende Funktionen:

- Zurücksetzen des Produkts auf die Werkseinstellungen. Siehe *Seite 71*.
- Anschließen an einen AXIS Video Hosting System Service Weitere Informationen zu diesem Dienst finden Sie auf [axis.com](http://axis.com).

## Netzschalter

Drücken Sie den Netzschalter und halten Sie diesen gedrückt, um das Produkt bei entfernter Kuppelabdeckung kurzzeitig anzuschalten. Der Netzschalter wird auch zusammen mit der Steuertaste verwendet, um die Kamera auf die werksseitigen Standardeinstellungen zurückzusetzen. Siehe Seite 71.

## Axis Mehrfachkabel

Zum Anschließen externer Geräte am Axis Produkt ist ein Axis Mehrfachkabel erforderlich, um die IP-Schutzklasse des Produkts zu gewährleisten. Ein Axis Mehrfachkabel können Sie bei Ihrem Axis Händler erwerben. Die Position des Mehrfachanschlusses finden Sie unter *Übersicht über die Hardware* auf Seite 56.

Das Mehrfachkabel weist folgende Anschlüsse auf:

**Netzanschluss** – 3-poliger Anschlussblock für die Stromversorgung. Verwenden Sie eine mit den Anforderungen für Schutzkleinspannung (SELV) kompatible Stromquelle mit begrenzter Leistung (LPS), entweder mit einer Nennausgangsleistung von  $\leq 100$  W oder einem dauerhaft auf  $\leq 5$  A begrenzten Nennausgangsstrom.

**Audio-Eingang (rosa)** – 3,5-mm-Anschluss für ein Monomikrofon oder ein Monosignal (linker Kanal wird von einem Stereosignal benutzt).

**Audio-Ausgang (grün)** – 3,5-mm-Audio-Ausgang (Leistungsstufe) zum Anschließen einer Rundrufanlage (PA) oder eines Aktivlautsprechers mit integriertem Verstärker. Für den Audio-Ausgang muss ein Stereo-Stecker benutzt werden.

**E/A-Anschluss** – Zur Verwendung mit externen Geräten in Verbindung mit Manipulationsalarmen, Bewegungserkennung, Ereignisauslösung, Zeitrafferaufnahmen, Alarmbenachrichtigungen usw. Abgesehen vom 0 V DC-Bezugspunkt und Strom (Gleichstromausgang) verfügt die E/A-Klemmenleiste über eine Schnittstelle zu:

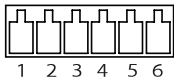
- **Digitalausgang** – zum Anschluss externer Geräte wie Relais und LEDs. Angeschlossene Geräte können über die VAPIX® Application Programming Interface (Programmierschnittstelle) über die Schaltflächen für den Ausgang auf der Seite „Live View“ oder durch eine Aktionsregel aktiviert werden. Der Ausgang wird als aktiviert (siehe **System Options > Ports & Devices > Port Status (Systemoptionen > Ports & Geräte > Port Status)**) angezeigt, wenn das Alarmmeldegerät eingeschaltet ist.
- **Digitaleingang** – Alarmeingang für den Anschluss von Geräten, die zwischen geöffnetem und geschlossenem Schaltkreis wechseln können, z. B.: PIR-Kameras, Tür-/Fensterkontakte, Glasbruchmelder usw. Bei Empfang eines Signals ändert sich der Status und der Eingang wird aktiviert (siehe **System Options > Ports & Devices > Port Status (Systemoptionen > Ports & Geräte > Port Status)**).

# AXIS Q60 Series

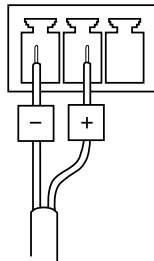
Funktion	Kontakt	Hinweise	Technische Daten
0 V DC (-)	1		
Gleichstromausgang	2	Kann für die Stromversorgung von Zusatzgeräten verwendet werden. Hinweis: Dieser Kontakt kann nur für den Stromausgang verwendet werden.	3,3 V DC Max. Stromstärke = 250 mA
Konfigurierbar (Ein- oder Ausgang)	3-6	Digitaleingang – zum Aktivieren mit Pin 1 verbinden; zum Deaktivieren nicht anschließen.	0 bis max. 40 VDC
		Digitalausgang – bei Aktivierung mit Pin 1 verbunden; wenn deaktiviert: frei (nicht verbunden). Bei Verwendung mit einer induktiven Last, z. B. einem Relais, muss parallel zur Last zum Schutz vor Spannungsspitzen eine Diode zwischengeschaltet werden.	0 bis max. 40 VDC Open Drain, 100 mA

Ein Beispielschaltbild finden Sie unter *Anschlusschaltbilder auf Seite 64*.

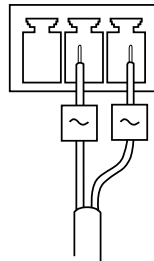
E/A-Anschluss



Gleichstromanschluss



Wechselstromanschluss



## Technische Daten

### Betriebsbedingungen

Das Axis Produkt ist für die Verwendung in Innenräumen konzipiert.

Produkt	Klassifikation	Temperatur	Luftfeuchtigkeit
AXIS Q6042 Mk II AXIS Q6044 AXIS Q6045 Mk II	IEC 60721-4-3 Klasse 3K3, 3M3 IEC 60529 IP52	0 °C bis 50 °C	10 bis 85 % rF (nicht kondensierend)

## Lagerbedingungen

Produkt	Temperatur
AXIS Q6042 Mk II AXIS Q6044 AXIS Q6045 Mk II	-40 °C bis 60 °C

DE

## Stromverbrauch

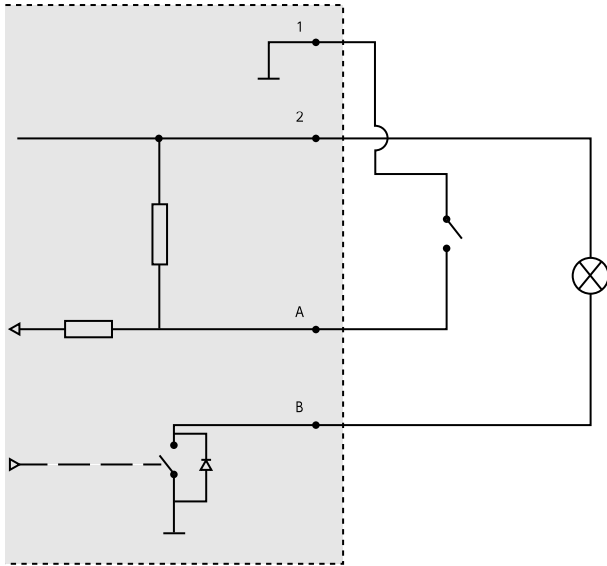
### HINWEIS

Verwenden Sie eine mit den Anforderungen für Schutzkleinspannung (SELV) kompatible Stromquelle mit begrenzter Leistung (LPS), entweder mit einer Nennausgangsleistung von  $\leq 100$  W oder einem dauerhaft auf  $\leq 5$  A begrenzten Nennausgangsstrom. Axis empfiehlt die Verwendung des mitgelieferten Midspans.

Produkt	Axis PoE+ Midspan (mitgeliefert)	Gleichstrom	Wechselstrom
AXIS Q6042 Mk II	100–240 V AC, max. 37 W, normal: 12,3 W	24–34 V DC, max. 19 W	20–24 V AC, max. 27 VA
AXIS Q6044	100–240 V AC, max. 37 W	24–34 V DC, max. 17,9 W	20–24 V AC, max. 25,9 VA
AXIS Q6045 Mk II	100–240 V AC, max. 37 W	24–34 V DC, max. 19 W	20–24 V AC, max. 27 VA

## Anschlusschaltbilder

### E/A-Anschluss



- 1 0 V (-) DC
- 2 DC-Ausgang 3,3 V, max. 250 mA
- A E/A als Eingang konfiguriert
- B E/A als Ausgang konfiguriert

## Die Hardware installieren

Lesen Sie die Anweisungen, bevor Sie das Produkt installieren. Manche Installationsschritte sollten besser zusammen ausgeführt werden, denn sie erfordern die Entfernung der Kuppelabdeckung.

### HINWEIS

- Aufgrund örtlicher Vorschriften oder je nach Umgebung oder elektrischer Anlage, in/mit der das Produkt verwendet wird, kann ein abgeschirmtes Netzkabel (STP) empfehlenswert oder notwendig sein. Alle Netzkabel des Produkts, die im Außenbereich oder in anspruchsvollen elektrischen Umgebungen verlegt werden, müssen hierfür ausgelegt sein. Stellen Sie sicher, dass die Netzwerkgeräte gemäß den Anweisungen des Herstellers installiert wurden. Informationen zu gesetzlichen Bestimmungen finden Sie unter *Regulatory information on page 4*.
- Befestigen Sie das Produkt mit der Kuppelabdeckung nach unten zeigend.



- Achten Sie darauf die Kuppelabdeckung weder zu zerkratzen, zu beschädigen oder darauf Fingerabdrücke zu hinterlassen, da dies die Bildqualität beeinträchtigen kann. Falls möglich, entfernen Sie die Schutzfolie erst nach Abschluss der Installation.

## Austausch der Kuppelabdeckung (optional)

Die vormontierte klare Kuppelabdeckung kann ausgetauscht werden, wenn Sie die getönte Kuppelabdeckung verwenden möchten oder wenn die Kuppelabdeckung zerkratzt oder beschädigt ist. Ersatz-Kuppelabdeckungen erhalten Sie von Ihrem Axis Händler.

Die Positionen der Komponenten finden Sie unter *Übersicht über die Hardware auf Seite 56*.

DE

1. Lösen Sie die Kuppelringschrauben und entfernen Sie die Kuppelabdeckung.
2. Entfernen Sie die Kuppelhalterungsschrauben und entfernen Sie die Kuppelhalterung aus dem Kuppelring.
3. Bringen Sie die Kuppelhalterung und die Kuppelabdeckung am Kuppelring an und ziehen Sie die Schrauben fest (Anzugsmoment 1,2 Nm).
4. Weitere Informationen zur Installation einer SD-Speicherkarte finden Sie unter *Installation einer SD-Speicherkarte (optional) auf Seite 65*.
5. Befestigen Sie Kuppelabdeckung an der oberen Abdeckung und ziehen die Schrauben an (Anzugsmoment 1,5 Nm).

## Installation einer SD-Speicherkarte (optional)

Die Installation einer SD-Speicherkarte ist optional. Mit einer Standard-SD-Speicherkarte oder SD-Speicherkarte mit hoher Kapazität (nicht enthalten) können Aufzeichnungen direkt/lokal auf dem Produkt gespeichert werden.

1. Lösen Sie die Kuppelringschrauben und entfernen sie die Kuppelabdeckung.
2. Schieben Sie die SD-Karte in den SD-Karteneinschub.
3. Befestigen Sie Kuppelabdeckung an der oberen Abdeckung und ziehen die Schrauben an (Anzugsmoment 1,5 Nm).

## Installieren der Kamera

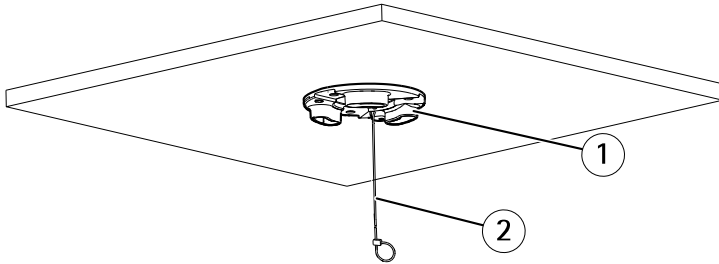
Bei der Montage dieses Axis Produkts können die Kabel durch die Wand oder entlang der Wand bzw. Decke verlegt werden.

Folgende Möglichkeiten zur Installation der Kamera stehen zur Auswahl:

- *Anbringen der Kamera mit einer Halterung für Massivdecken auf Seite 66.*
- *Anbringen der Kamera mit einer Halterung für abgehängte Decken auf Seite 67.*
- *Anbringen der Kamera mit einer Halterung auf Seite 69.*

## Anbringen der Kamera mit einer Halterung für Massivdecken

1. Bereiten Sie die Decke für die Installation der Montageplatte vor. Markieren Sie die Position der Bohrlöcher mithilfe der Montageplatte. Stellen Sie sicher, dass die Bohrspitzen, Schrauben und Dübel für den Baustoff geeignet sind.
2. Installieren Sie die Montageplatte. Die Montageplatte wird mit dem Pfeil zum Schriftzug auf der Kamera ausgerichtet.

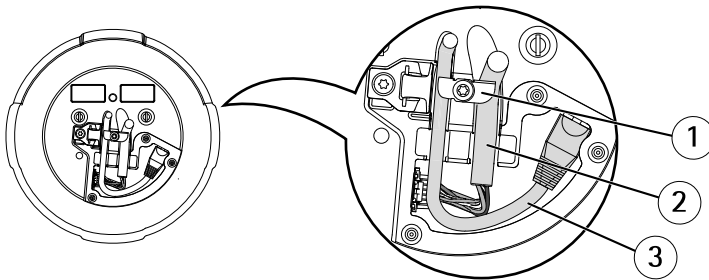


- 1 Montageplatte  
2 Sicherheitsdraht

3. Lösen Sie die Schrauben der Kamera-Grundplatte und entfernen Sie die Grundplatte.
4. Sichern Sie die Kamera mit dem mitgelieferten Sicherheitsdraht.
5. Verlegen Sie das Netzkabel und ggf. das Mehrfachanschlusskabel für die Kamera.

### **HINWEIS**

- Achten Sie beim Verbinden der Kabel darauf, diese nicht zu beschädigen.
- Vergewissern Sie sich, dass die Schaumstoffdichtungslöcher an den Kabelbahnen ausgerichtet sind. Entfernen Sie ggf. die Ausschnitte für das Mehrfachanschlusskabel aus der Schaumstoffdichtung.



- 1 Kabelhalter  
2 Mehrfachanschlusskabel  
3 Netzkabel

6. Drehen Sie die Kabelhalter, um die Kabel in Position zu halten.
7. Bringen Sie die Grundplatte der Kamera wieder in ihre Position und ziehen Sie die Schrauben an (Anzugsmoment 1,5 Nm).
8. Schieben Sie die Gerätehalterung der Netzwerk-Kamera in die Öffnungen der Montageplatte und drehen Sie die Kameraeinheit.
9. Anweisungen zur Installation des mitgelieferten Midspan finden Sie in der beiliegenden Installationsanleitung oder unter [www.axis.com](http://www.axis.com).

## Anbringen der Kamera mit einer Halterung für abgehängte Decken

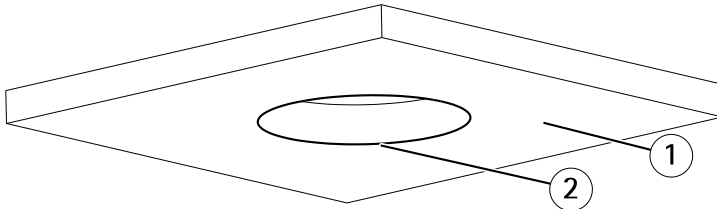
### **⚠️ WARNUNG**

Das Gesamtgewicht von Kamera und Deckenhalterung beträgt etwa 3200 g. Stellen Sie sicher, dass das Deckenmaterial stabil genug ist, um dieses Gewicht zu tragen.

### **HINWEIS**

Die Stärke der Deckenplatte sollte 5 bis 60 mm betragen.

1. Entfernen Sie die Deckenplatte, in die die Halterung für abgehängte Decken eingelassen werden soll.
2. Schneiden Sie für die Hängedeckenmontage ein Loch in die Deckenplatte. Verwenden Sie die mitgelieferte Vorlage zum Markieren der Position und zum Ausschneiden der Öffnung.



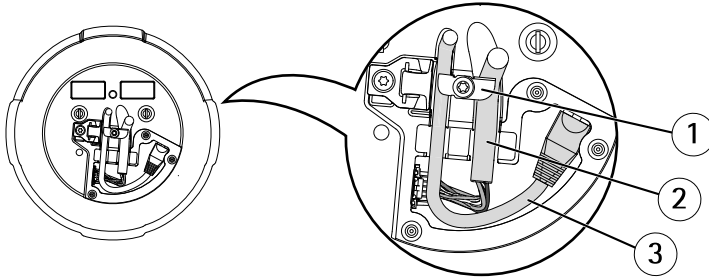
- 1 Deckenplatte
- 2 Lochdurchmesser 225 mm

3. Montieren Sie Deckenhalterung und bringen Sie die Deckenplatte an. Stellen Sie sicher, dass die Pfeile auf der Montageplatte und der Deckenhalterung in die gleiche Richtung zeigen, damit die Logos auf der Kamera und der Klemmflansch aufeinander passen.
4. Ziehen Sie die Halterungsarmschrauben fest.
5. Lösen Sie die Schrauben der Kamera-Grundplatte und entfernen Sie die Grundplatte.
6. Verlegen Sie das Netzkabel und ggf. das Mehrfachanschlusskabel für die Kamera.

### **HINWEIS**

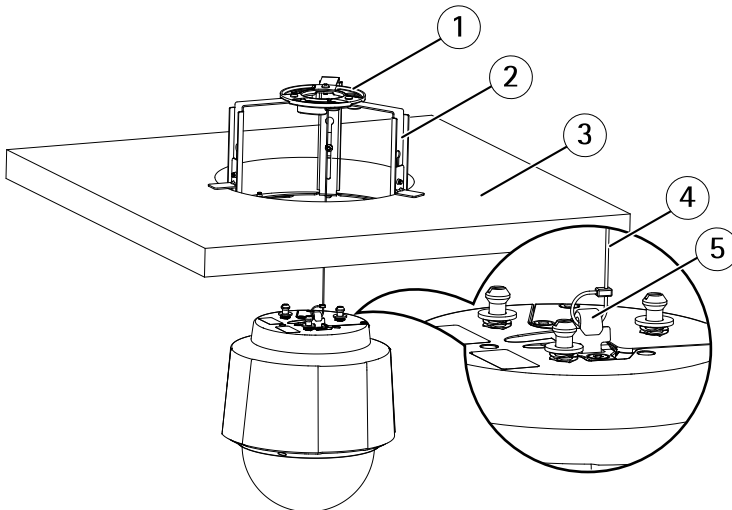
- Achten Sie beim Verbinden der Kabel darauf, diese nicht zu beschädigen.

- Vergewissern Sie sich, dass die Schaumstoffdichtungslöcher an den Kabelbahnen ausgerichtet sind. Entfernen Sie ggf. die Ausschnitte für das Mehrfachanschlusskabel aus der Schaumstoffdichtung.



- 1 Kabelhalter
- 2 Mehrfachanschlusskabel
- 3 Netzwerkkabel

7. Drehen Sie die Kabelhalter, um die Kabel in Position zu halten.
8. Bringen Sie die Grundplatte der Kamera wieder in ihre Position und ziehen Sie die Schrauben an (Anzugsmoment 1,5 Nm).
9. Sichern Sie die Kamera mit dem mitgelieferten Sicherheitsdraht.

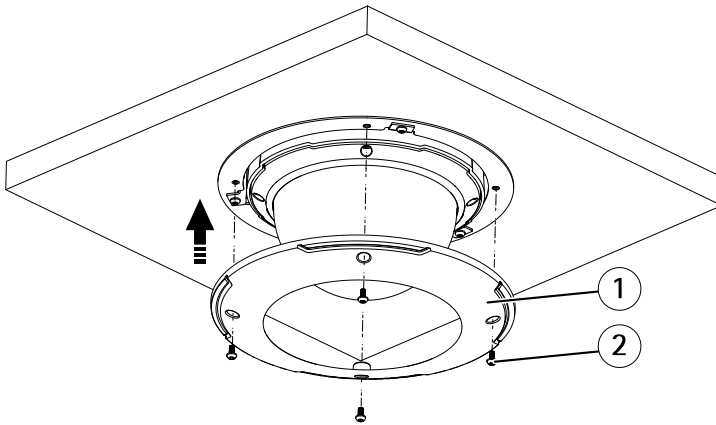


- 1 Montageplatte
- 2 Deckenhalterung

- 3 *Deckenplatte*
- 4 *Sicherheitsdraht*
- 5 *Haken für Sicherheitsdraht*

10. Schieben Sie die Gerätehalterung der Netzwerk-Kamera in die Öffnungen der Montageplatte und drehen Sie die Kameraeinheit.
11. Anweisungen zur Installation des mitgelieferten Midspan finden Sie in der beiliegenden Installationsanleitung oder unter [www.axis.com](http://www.axis.com).
12. Befestigen Sie die Deckenplatte mit der montierten Kamera.
13. Setzen Sie den Klemmflansch auf die Deckenhalterung und ziehen Sie die Schrauben fest.

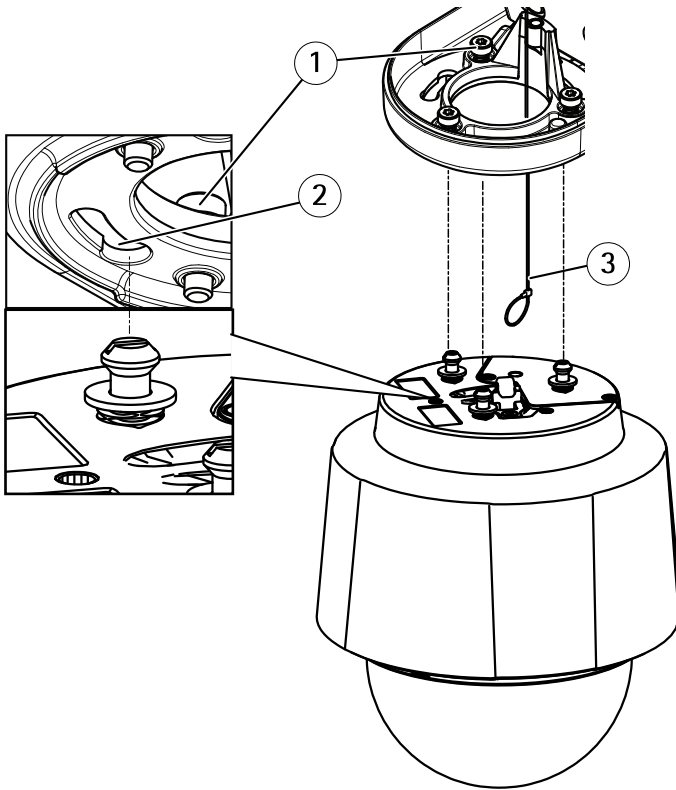
DE



- 1 *Klemmflansch*
- 2 *Klemmflanschschraube T20 (4x)*

### Anbringen der Kamera mit einer Halterung

1. Installieren Sie die ausgewählte Halterung entsprechend den mitgelieferten Anweisungen. Falls das Bohren von Löchern erforderlich ist, stellen Sie sicher, dass die Bohrer, Schrauben und Dübel für den Baustoff der Wand/Decke geeignet sind.
2. Lösen Sie die Schrauben der Kamera-Grundplatte und entfernen Sie die Grundplatte.
3. Führen Sie das Netzkabel und ggf. das Mehrfachanschlusskabel durch die Öffnungen in der Montagehalterung.
4. Sichern Sie die Kamera mit dem mitgelieferten Sicherheitsdraht.

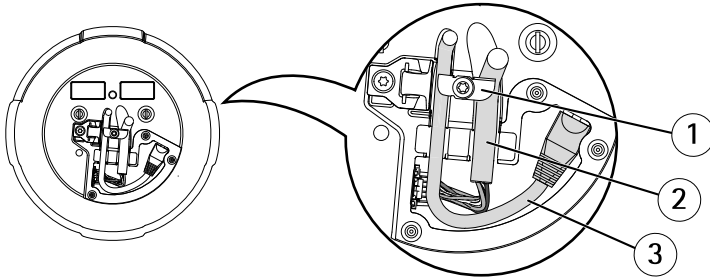


- 1 Schraube T30 (3x)
- 2 Steckplatz für Gerätehalterung (3x)
- 3 Sicherheitsdraht

5. Schließen Sie das Netzkabel und ggf. das Mehrfachanschlusskabel an die Kamera an.

### **HINWEIS**

- Achten Sie beim Verbinden der Kabel darauf, diese nicht zu beschädigen.
- Vergewissern Sie sich, dass die Schaumstoffdichtungslöcher an den Kabelbahnen ausgerichtet sind. Entfernen Sie ggf. die Ausschnitte für das Mehrfachanschlusskabel aus der Schaumstoffdichtung.



- 1 Kabelhalter
- 2 Mehrfachanschlusskabel
- 3 Netzkabel

6. Drehen Sie die Kabelhalter, um die Kabel in Position zu halten.
7. Bringen Sie die Grundplatte der Kamera wieder in ihre Position und ziehen Sie die Schrauben an (Anzugsmoment 1,5 Nm).
8. Schieben Sie die Gerätehalterung der Netzwerk-Kamera in die Öffnungen der Montagehalterung und drehen Sie die Kameraeinheit.
9. Befestigen Sie die Netzwerk-Kamera an der Wandhalterung, indem Sie die Schrauben festziehen.
10. Anweisungen zur Installation des mitgelieferten Midspan finden Sie in der beiliegenden Installationsanleitung oder unter [www.axis.com](http://www.axis.com).

DE

## Zugriff auf das Produkt

Ermitteln Sie mit AXIS IP Utility und AXIS Device Manager die Axis-Geräte im Netzwerk und weisen Sie ihnen unter Windows® IP-Adressen zu. Beide Anwendungen sind kostenlos und können von [axis.com/support](http://axis.com/support) heruntergeladen werden.

Weitere Informationen zur Nutzung dieses Produkts finden Sie im Benutzerhandbuch auf [axis.com](http://axis.com).

## Zurücksetzen auf die Werkseinstellungen

### Weitere Informationen

- Die aktuelle Version dieses Dokuments finden Sie auf [axis.com](http://axis.com)
- Das Benutzerhandbuch steht auf [axis.com](http://axis.com) zur Verfügung.
- Unter [axis.com/support](http://axis.com/support) finden Sie die aktuellen Firmwareversionen für Ihr Gerät.
- Nützliches Onlinetraining und Webinare finden Sie unter [axis.com/academy](http://axis.com/academy).

### **Gewährleistungsinformationen**

Informationen zur Gewährleistung für Axis-Produkte und andere in diesem Zusammenhang relevante Informationen finden Sie unter [axis.com/warranty](https://axis.com/warranty).



## Informazioni di sicurezza

### Livelli di pericolo

**▲PERICOLO**

Indica una situazione pericolosa che, se non evitata, provoca morte o lesioni gravi.

**▲AVVERTENZA**

Indica una situazione pericolosa che, se non evitata, potrebbe provocare la morte o lesioni gravi.

**▲ATTENZIONE**

Indica una situazione pericolosa che, se non evitata, potrebbe provocare lesioni medie o minori.

**AWISO**

Indica una situazione che, se non evitata, potrebbe danneggiare la proprietà.

IT

### Altri livelli di messaggio

**Importante**

Indica informazioni importanti, essenziali per il corretto funzionamento del dispositivo.

**Nota**

Indica informazioni utili che aiutano a ottenere il massimo dal dispositivo.

## Informazioni di sicurezza

### ⚠AVVERTENZA

Il dispositivo Axis deve essere installato da un professionista qualificato, in conformità alle leggi e alle disposizioni locali.

### AWISO

- Il dispositivo Axis deve essere utilizzato in conformità alle leggi e alle normative locali.
- Axis consiglia l'uso di un cavo di rete schermato (STP).
- Per utilizzare il dispositivo Axis in ambienti esterni o in ambienti simili, deve essere installato in una custodia per esterni approvata.
- Conservare il dispositivo Axis in un ambiente asciutto e ventilato.
- Evitare di esporre il dispositivo Axis a urti o pressioni eccessive.
- Non installare il dispositivo su supporti, superfici, pareti o pali instabili.
- Utilizzare solo strumenti applicabili quando si installa il dispositivo Axis. Se si utilizza una forza eccessiva con strumenti non adatti è possibile causare danni al dispositivo.
- Non utilizzare sostanze chimiche, agenti caustici o detergenti aerosol.
- Utilizzare un panno pulito inumidito in acqua pura per la pulizia.
- Utilizzare solo accessori compatibili con le specifiche tecniche del dispositivo. Questi possono essere forniti da Axis o da terze parti. Axis consiglia l'uso dell'apparecchiatura di alimentazione Axis compatibile con il dispositivo.
- Utilizzare solo parti di ricambio fornite o consigliate da Axis.
- Non tentare di riparare il dispositivo da soli. Contattare l'assistenza o il rivenditore Axis per questioni relative alla manutenzione.
- Non rivolgere l'obiettivo della telecamera verso il sole o altre sorgenti di radiazioni molto intense poiché si potrebbe danneggiare la telecamera.

## Trasporto

### AWISO

- Durante il trasporto del dispositivo Axis, utilizzare l'imballaggio originale o equivalente per evitare danni al dispositivo.

## Batteria

Il dispositivo Axis utilizza una batteria al litio da 3 V CR2032 come alimentazione per il suo orologio in tempo reale (RTC) interno. In condizioni normali questa batteria avrà una durata minima di cinque anni.

### ⚠ATTENZIONE

Non sostituire la batteria da soli. Contattare l'assistenza di Axis se il messaggio di registro richiede una sostituzione della batteria.

Le batterie a bottone al litio da 3 V contengono 1,2-dimetossietano; etere dimetilico di glicole etilenico (EGDME), CAS n. 110-71-4.

## Copertura a cupola

### **AVVISO**

- Fare attenzione a non graffiare, danneggiare o lasciare impronte sulla cupola di protezione, perché potrebbe diminuire la qualità dell'immagine. Se possibile, tenere la protezione in plastica sul coperchio della cupola fino a quando l'installazione non sarà completata.
- Non pulire il coperchio della cupola quando allo sguardo sembra pulito e non lucidare la superficie. Una pulizia eccessiva potrebbe danneggiare la superficie.
- Per la pulizia generale del coperchio della cupola, si consiglia di utilizzare un sapone neutro o detergente non abrasivo con acqua pura e un panno morbido e pulito. Sciacquare bene con acqua pura tiepida. Asciugare con un panno morbido e pulito per evitare macchie d'acqua.
- Non usare mai detersivi aggressivi, benzina, benzene, acetone o sostanze chimiche simili.
- Evitare di pulire il coperchio della cupola alla luce diretta del sole o a temperature elevate.
- Assicurarsi che la cupola venga installata quando il dispositivo è operativo in modo da non alterare la messa a fuoco.



## Guida all'installazione

Questa guida fornisce le istruzioni per l'installazione di una delle seguenti telecamere sulla rete in uso:

- Telecamera di rete a cupola PTZ AXIS Q6042 Mk II
- Telecamera di rete a cupola PTZ AXIS Q6044
- Telecamera di rete a cupola PTZ AXIS Q6045 Mk II

Per ulteriori informazioni sull'utilizzo del prodotto, consultare la Guida per l'utente disponibile all'indirizzo [www.axis.com](http://www.axis.com).

## Procedura di installazione

IT

1. Assicurarsi che il contenuto della confezione, gli strumenti e altri materiali necessari per l'installazione siano in ordine. Consultare *pagina 77*.
2. Studiare la descrizione dell'hardware. Consultare *pagina 78*.
3. Studiare le specifiche. Consultare *pagina 84*.
4. Installazione dell'hardware. Consultare *pagina 86*.
5. Accedere al dispositivo. Consultare *pagina 94*.

## Contenuto della confezione

- Telecamera di rete
  - Telecamera di rete a cupola PTZ AXIS Q6042 Mk II oppure
  - Telecamera di rete a cupola PTZ AXIS Q6044 oppure
  - Telecamera di rete a cupola PTZ AXIS Q6045 Mk II
- Custodia con cupola trasparente chiara (premontata)
- Copertura cupola trasparente oscurata
- Kit di montaggio per soffitti e controsoffitti
- Midspan Axis PoE+ con 1 porta (LPS)
- Materiale cartaceo
  - Guida all'installazione (questo documento)
  - Sagoma per la foratura per il montaggio a controsoffitto
  - Etichetta aggiuntiva con numero di serie (2)
  - Chiave di autenticazione AVHS

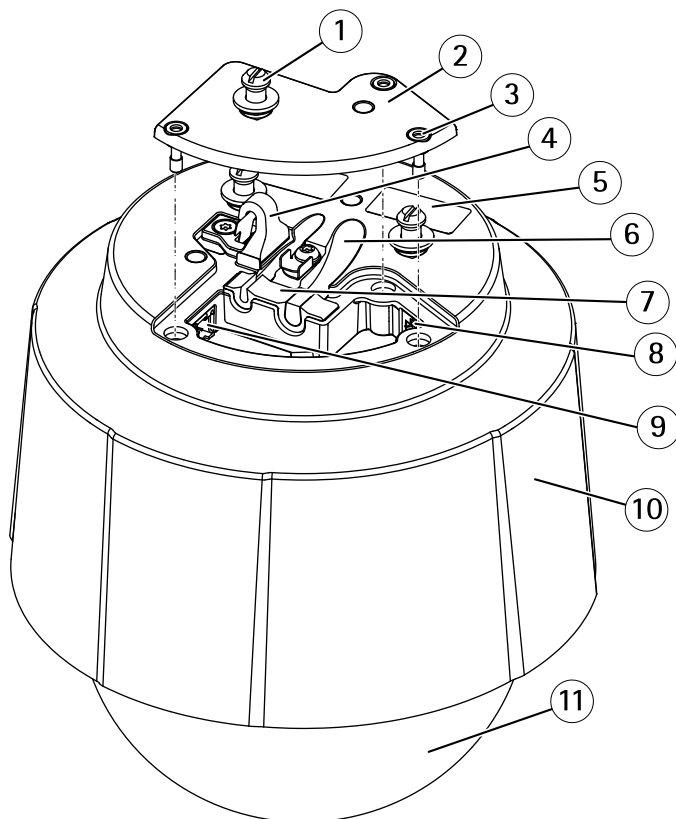
### Accessori opzionali

Per un elenco completo degli accessori disponibili per questo dispositivo, andare alla pagina del dispositivo al sito [axis.com](http://axis.com) e selezionare Software e accessori.

### Panoramica dell'hardware

#### AWISO

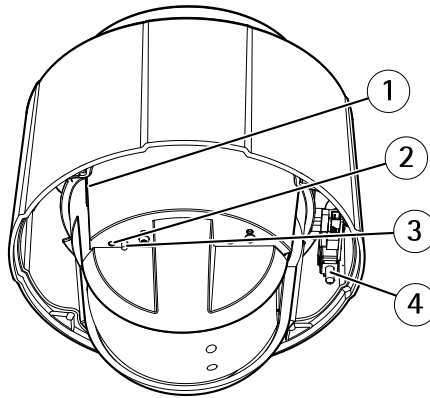
Assicurarsi che la cupola venga collegata in modalità operativa in modo da non alterare la messa a fuoco.



- 1 Supporto unità (3x)
- 2 Coperchio della base della telecamera
- 3 Vite T20 del coperchio della base della telecamera (3x)
- 4 Gancio per cavo di sicurezza

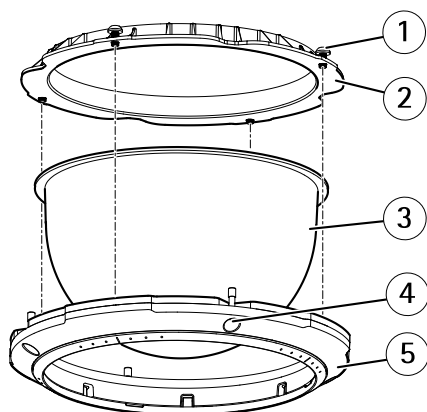
- 5 Codice dispositivo (N/P) e numero di serie (N/S)
- 6 Binario cavo (2x)
- 7 Guarnizione in schiuma
- 8 Connettore di rete (PoE+)
- 9 Multiconnettore
- 10 Protezione superiore
- 11 Cupola

## Unità telecamera



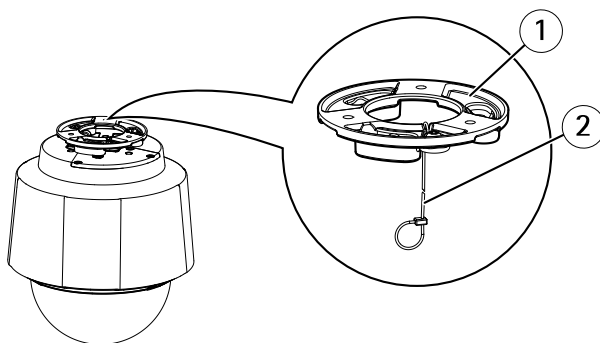
- 1 Slot per scheda SD
- 2 Indicatore LED di stato
- 3 Pulsante di comando
- 4 Tasto di accensione

### Cupola di protezione



- 1 Vite staffa cupola T20 (4x)
- 2 Staffa cupola
- 3 Custodia della cupola
- 4 Viti anello cupola T20 (4x)
- 5 Anello cupola

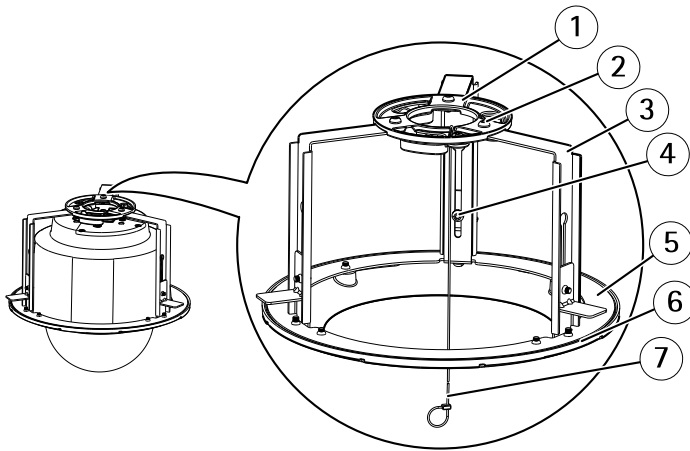
### Montaggio a soffitto



- 1 Piastra di montaggio
- 2 Cavo di sicurezza



## Montaggio a controsoffitto



- 1 Piastra di montaggio
- 2 Viti piastra di montaggio T20 (3x)
- 3 Braccio staffa
- 4 Vite braccio staffa T20 (3x) e rondella (3x)
- 5 Anello staffa
- 6 Anello guarnizione
- 7 Cavo di sicurezza

## Indicatori LED

LED di stato	Indicazione
Spento	Connessione e funzionamento normale.
Verde	Luce verde fissa per 10 secondi per il normale funzionamento una volta completato l'avvio.
Giallo	Luce fissa durante l'avvio. Lampeggia durante l'aggiornamento del firmware o il ripristino delle impostazioni predefinite.
Giallo/rosso	Lampeggia in giallo/rosso se il collegamento di rete non è disponibile o è stato perso.
Rosso	Errore durante l'aggiornamento del firmware.

## Connettori e pulsanti

Per le specifiche e le condizioni di funzionamento, vedere *pagina 84*.

### Connettore di rete

Connettore Ethernet RJ45 con Power over Ethernet Plus (PoE+).

#### **AWISO**

Utilizzare il midspan fornito.

#### **AWISO**

Il dispositivo deve essere collegato tramite un cavo di rete schermato (STP). Tutti i cavi che collegano il dispositivo alla rete sono destinati al loro uso specifico. Accertarsi che i dispositivi di rete siano installati secondo le istruzioni del produttore. Per maggiori informazioni sui requisiti normativi, consultare *Electromagnetic compatibility (EMC) on page 4*.

### Connettore audio e I/O

Connettore terminale per il collegamento di apparecchiature esterne:

- Dispositivi audio
- Dispositivi di input/output (I/O)

Quando si collega un apparecchio esterno, è necessario un multicavo Axis per mantenere la classificazione IP del prodotto. Per ulteriori informazioni, consultare *Multicavo Axis alla pagina 83*.

### Slot per schede di memoria

#### **AWISO**

- Rischio di danneggiamento della scheda di memoria SD. Non utilizzare strumenti appuntiti oppure oggetti metallici e non esercitare eccessiva forza durante l'inserimento o la rimozione della scheda di memoria. Utilizzare le dita per inserire e rimuovere la scheda.
- Rischio di perdita di dati e danneggiamento delle registrazioni. Non rimuovere la scheda di memoria mentre il dispositivo è in funzione. Scollegare la scheda di memoria dalle pagine Web del dispositivo prima di rimuoverla.

Questo dispositivo supporta schede di memoria SD/SDHC/SDXC.

Visitare [axis.com](http://axis.com) per i consigli sulla scheda di memoria.

### Pulsante di comando

Per l'ubicazione del pulsante di comando, vedere .

Il pulsante di comando viene utilizzato per:

- Ripristinare le impostazioni predefinite di fabbrica del dispositivo. Vedere *pagina 94*.
- Collegarsi a un servizio AXIS Video Hosting System. Per ulteriori informazioni su questo servizio, vedere il sito [axis.com](http://axis.com)

## Tasto di accensione

Tenere premuto il tasto di accensione per alimentare il prodotto temporaneamente quando è stata rimossa la cupola di protezione. Il pulsante di accensione è utilizzato anche con il tasto di controllo per ripristinare la fotocamera alle impostazioni predefinite di fabbrica. Consultare *pagina 94*.

## Multicavo Axis

Quando si collega un apparecchio esterno al dispositivo Axis, è necessario un multicavo Axis per mantenere la classificazione IP del prodotto. È possibile acquistare il multicavo Axis presso il proprio rivenditore Axis. Per individuare il multiconnettore, consultare *Panoramica dell'hardware alla pagina 78*.

Il multicavo fornisce le seguenti connessioni:

**Morsettiera di alimentazione** – Morsettiera a 3 pin usata per l'ingresso dell'alimentazione. Utilizzare una sorgente di alimentazione limitata (LPS) compatibile con una bassissima tensione di sicurezza (SELV) con una potenza di uscita nominale limitata a  $\leq 100$  W o una corrente nominale di uscita limitata a  $\leq 5$  A.

**Ingresso audio (rosa)** – 3,5 mm per microfono in mono o segnale mono line-in (il canale sinistro è usato da un segnale in stereo).

**Uscita audio (verde)** – Uscita audio da 3,5 mm (livello di linea) che può essere connessa a un sistema di indirizzo pubblico (PA), oppure a un altoparlante con amplificatore integrato. Per l'uscita audio è necessario usare un connettore stereo.

**Connettore del morsetto I/O** – Utilizzare con dispositivi esterni in combinazione con, ad esempio, allarmi antimanomissione, rilevazione del movimento, attivazione di eventi, registrazione temporizzata e notifiche di allarme. Oltre al punto di riferimento 0 V CC e all'alimentazione (uscita CC), il connettore I/O fornisce l'interfaccia per:

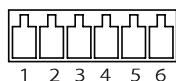
- **Uscita digitale** – Per collegare dispositivi esterni come relè o LED. Le periferiche collegate possono essere attivate tramite VAPIX® API (interfaccia per la programmazione di applicazioni), tramite i pulsanti di comando della pagina Live View (Immagini dal vivo) oppure tramite l'opzione Action Rule (regola di azione). L'uscita verrà visualizzata come attiva (visualizzata in **System Options > Port & Devices > Port Status (Opzioni di Sistema > Porta & Dispositivi > Stato porta)**) se il dispositivo di allarme è attivato.
- **Ingresso digitale** – Ingresso allarme utilizzabile per collegare le periferiche, che può passare dal circuito chiuso al circuito aperto, ad esempio: Sensori di movimento (PIR), contatti porta/finestra, rilevatori di rottura vetri e così via. Dopo la ricezione del segnale lo stato cambia e l'ingresso diventa attivo (visualizzato in **System Options > Port & Devices > Port Status (Opzioni di Sistema > Porte e Dispositivi > Stato porta)**)).

## AXIS Q60 Series

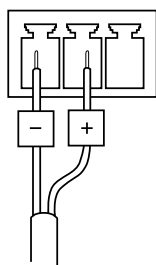
Funzione	Pin	Note	Specifiche
0 V CC (-)	1		
Uscita CC	2	Il pin può essere utilizzato anche per alimentare una periferica ausiliaria. Nota: questo pin può essere usato solo come uscita alimentazione.	3,3 V CC Carico massimo = 250 mA
Configurabile (ingresso o uscita)	3-6	Ingresso digitale - collegare al pin 1 per attivarlo oppure lasciarlo isolato (scollegato) per disattivarlo.	da 0 a max 40 V CC
		Uscita digitale - Collegare al pin 1 quando attiva, isolata (scollegata) quando inattiva. Se utilizzata con un carico induttivo, ad esempio un relè esterno, è necessario collegare un diodo in parallelo al carico per proteggere il dispositivo da sovratensioni.	Da 0 a max 40 V CC, open-drain, 100 mA

Per un esempio di schema, consultare *Schema delle connessioni alla pagina 86*.

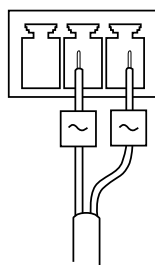
Connettore I/O



Ingresso alimentazione CC



Ingresso alimentazione CA



## Dati tecnici

### Condizioni di funzionamento

Il dispositivo Axis è destinato all'uso interno.

Dispositivo	Classificazione	Temperatura	Umidità
AXIS Q6042 Mk II AXIS Q6044 AXIS Q6045 Mk II	IEC 60721-4-3 Classe 3K3, 3M3 IEC 60529 IP52	Da 0 °C a 50 °C	10-85% (umidità relativa senza condensa)

## Condizioni di stoccaggio

Dispositivo	Temperatura
AXIS Q6042 Mk II AXIS Q6044 AXIS Q6045 Mk II	Da -40 °C a 60 °C

IT

## Consumo energetico

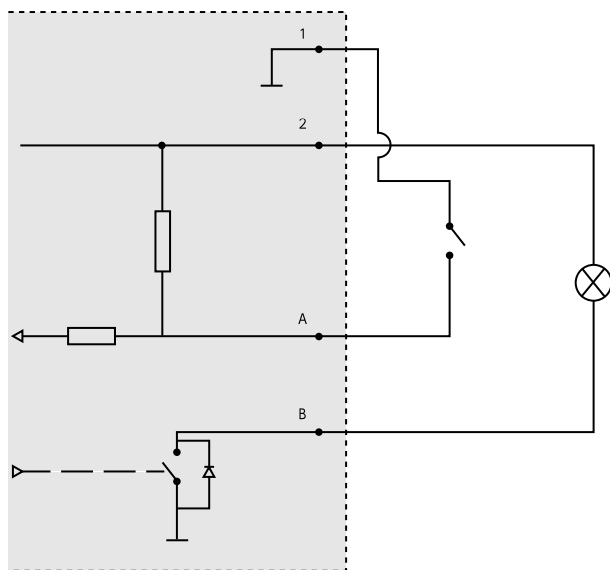
### AVVISO

Utilizzare una sorgente di alimentazione limitata (LPS) compatibile con una bassissima tensione di sicurezza (SELV) con una potenza di uscita nominale limitata a  $\leq 100$  W o una corrente nominale di uscita limitata a  $\leq 5$  A. Axis consiglia di utilizzare il midspan fornito.

Dispositivo	Midspan Axis PoE+ (incluso)	CC	CA
AXIS Q6042 Mk II	100-240 V CA, max 37 W, tipico 12,3 W	24-34 V CC, max 19 W	20-24 V CA, max 27 VA
AXIS Q6044	100-240 V CA, max 37 W	24-34 V CC, max 17,9 W	20-24 V CA, max 25,9 VA
AXIS Q6045 Mk II	100-240 V CA, max 37 W	24-34 V CC, max 19 W	20-24 V CA, max 27 VA

## Schema delle connessioni

### Connettore I/O



- 1 0 V CC (-)
- 2 Uscita CC 3,3 V, max 250 mA
- A I/O configurato come ingresso
- B I/O configurato come uscita

## Installazione dell'hardware

Leggere attentamente tutte le istruzioni prima di installare il dispositivo. Alcune fasi d'installazione dovrebbero essere eseguite in parallelo perché richiedono la rimozione della cupola di protezione.

### **AWISO**

- A causa di normative locali o condizioni ambientali ed elettriche in cui il dispositivo deve essere utilizzato, può essere opportuno o necessario l'utilizzo di un cavo di rete schermato (STP). Tutti i cavi di rete del dispositivo posizionati all'aperto o in ambienti elettrici in condizioni difficili sono destinati al loro uso specifico. Accertarsi che i dispositivi di rete siano installati secondo le istruzioni del produttore. Per maggiori informazioni sui requisiti normativi, consultare *Regulatory information on page 4*.
- Montare il dispositivo con la cupola rivolto verso il basso.

- Fare attenzione a non graffiare, danneggiare o lasciare impronte sulla cupola, perché potrebbe diminuire la qualità dell'immagine. Se possibile, tenere la protezione in plastica sulla cupola fino a quando l'installazione non sarà completata.

## Sostituzione della cupola (facoltativo)

La cupola trasparente premontata può essere sostituita se si desidera utilizzare la cupola oscurata o se la cupola è graffiata o danneggiata. È possibile acquistare cupole di ricambio presso il proprio rivenditore Axis

Per l'ubicazione dei componenti, vedere *Panoramica dell'hardware alla pagina 78*.

1. Allentare le viti dell'anello della cupola e rimuovere la copertura della cupola.
2. Rimuovere le viti della staffa della cupola, la staffa cupola e il coperchio dall'anello della cupola.
3. Fissare la staffa e il coperchio della cupola all'anello della cupola e serrare le viti (coppia 1,2 Nm).
4. Per installare una scheda SD, consultare *Come installare una scheda SD (facoltativa) alla pagina 87*.
5. Fissare la cupola alla copertura superiore e serrare le viti (serraggio 1,5 Nm).

IT

## Come installare una scheda SD (facoltativa)

L'installazione di una scheda SD è facoltativa. Una scheda SD standard o ad alta capacità (non inclusa) può essere utilizzata per memorizzare le registrazioni localmente nel dispositivo.

1. Allentare le viti dell'anello della cupola e rimuovere la cupola di protezione.
2. Inserire una scheda SD nello slot per schede SD.
3. Fissare la cupola di protezione alla copertura superiore e serrare le viti (serraggio 1,5 Nm).

## Come installare la telecamera

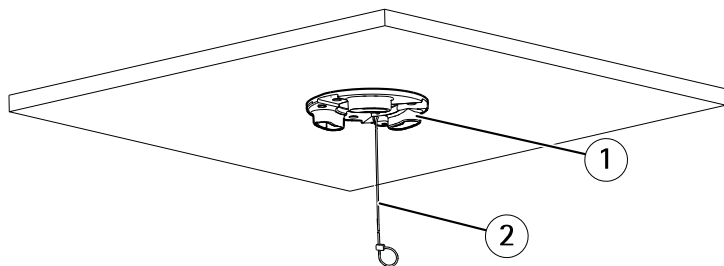
Il dispositivo Axis può essere installato con i cavi che passano attraverso o lungo la parete o il soffitto.

Scegliere uno dei seguenti modi di installazione della telecamera:

- *Installazione della telecamera con montaggio a soffitto alla pagina 88.*
- *Installazione della telecamera con montaggio a controsoffitto alla pagina 89.*
- *Installazione della telecamera con montaggio a staffa alla pagina 92.*

## Installazione della telecamera con montaggio a soffitto

1. Preparare il soffitto per l'installazione della piastra di montaggio. Usare la piastra di montaggio fornita per posizionare i fori. Assicurarsi di utilizzare punte, viti e tasselli che siano appropriati per il materiale.
2. Installare la piastra di montaggio. La freccia sulla piastra di montaggio si allineerà con il logo sulla telecamera.

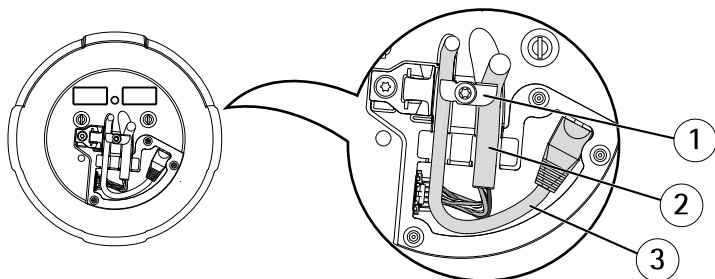


- 1 *Piastra di montaggio*
- 2 *Cavo di sicurezza*

3. Allentare le viti della base del coperchio della telecamera e rimuoverlo.
4. Fissare la telecamera utilizzando il cavo di sicurezza in dotazione.
5. Posizionare e collegare il cavo di rete e, se utilizzato, il cavo multiconnettore alla telecamera.

### **AWISO**

- Fare attenzione a non danneggiare i cavi quando li si collega.
- Assicurarsi che i fori della guarnizione in schiuma siano allineati con le tracce dei cavi e se si utilizza un cavo multiconnettore, rimuovere la prefrattura per il cavo multiconnettore dalla guarnizione in schiuma.



- 1 *Portacavi*
- 2 *Cavo multiconnettore*



3 Cavo di rete

6. Ruotare i portacavi per mantenere i cavi in posizione.
7. Posizionare il coperchio posteriore della telecamera nella sua posizione originaria e serrare le viti (serraggio 1,5 Nm).
8. Far scorrere i supporti dell'unità sulla telecamera di rete nelle fessure della piastra di montaggio e ruotare la telecamera.
9. Per installare il midspan fornito, consultare la guida all'installazione fornita con il midspan o disponibile all'indirizzo [www.axis.com](http://www.axis.com)

**Installazione della telecamera con montaggio a controsoffitto**

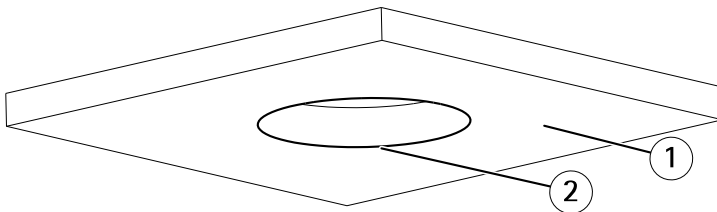
**AVVERTENZA**

Il peso totale della telecamera e degli accessori per il montaggio a soffitto è di circa 3200 g (7,1 lb). Assicurarsi che il materiale del soffitto sia abbastanza solido per sostenere questo peso.

**AVVISO**

Il pannello del soffitto dovrebbe essere spesso da 5 a 60 mm.

1. Rimuovere il pannello del soffitto in cui deve essere montato il controsoffitto.
2. Praticare un foro nel pannello per il montaggio a controsoffitto. Utilizzare la dima fornita per contrassegnare la posizione e tagliare intorno ad essa.



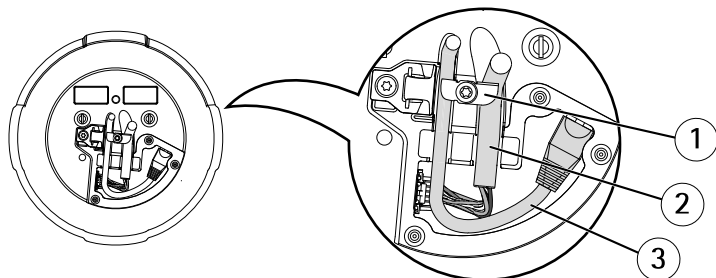
- 1 *Pannello del soffitto*
- 2 *Diametro del foro 225 mm*

3. Montare la staffa a soffitto e fissarla al pannello del controsoffitto. Assicurarsi che le frecce sulla piastra di montaggio e la staffa a soffitto siano rivolte nella stessa direzione per allineare i loghi sulla telecamera e l'anello di finitura.
4. Stringere le viti del braccio della staffa.
5. Allentare le viti della base della cupola della telecamera e rimuoverlo.
6. Posizionare e collegare il cavo di rete e, se utilizzato, il cavo multiconnettore alla telecamera.

IT

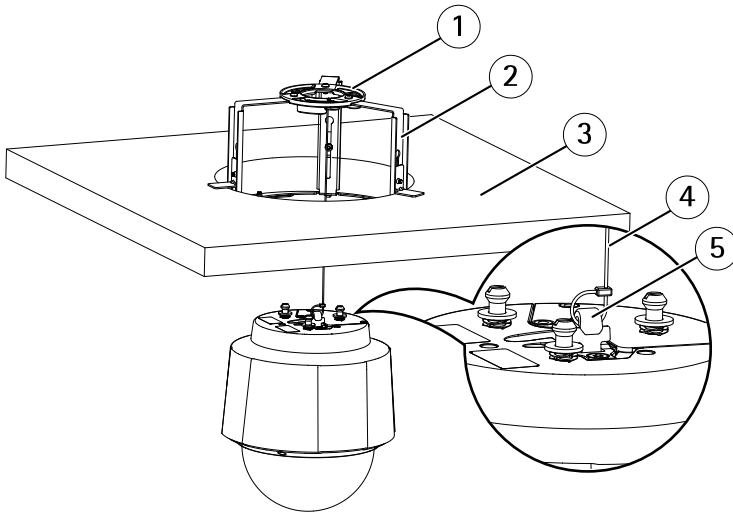
### AWISO

- Fare attenzione a non danneggiare i cavi quando li si collega.
- Assicurarsi che i fori della guarnizione in schiuma siano allineati con le tracce dei cavi e se si utilizza un cavo multiconnettore, rimuovere la prefabbricazione per il cavo multiconnettore dalla guarnizione in schiuma.



- 1 Portacavi
- 2 Cavo multiconnettore
- 3 Cavo di rete

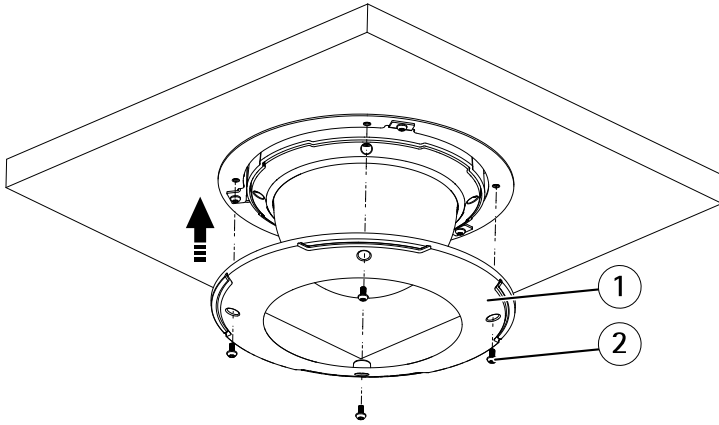
7. Ruotare i portacavi per mantenere i cavi in posizione.
8. Posizionare la protezione posteriore della telecamera nella sua posizione originaria e serrare le viti (serraggio 1,5 Nm).
9. Fissare la telecamera utilizzando il cavo di sicurezza in dotazione.



IT

- 1 *Piastra di montaggio*
- 2 *Staffa per il montaggio a soffitto*
- 3 *Pannello soffitto*
- 4 *Cavo di sicurezza*
- 5 *Gancio per cavo di sicurezza*

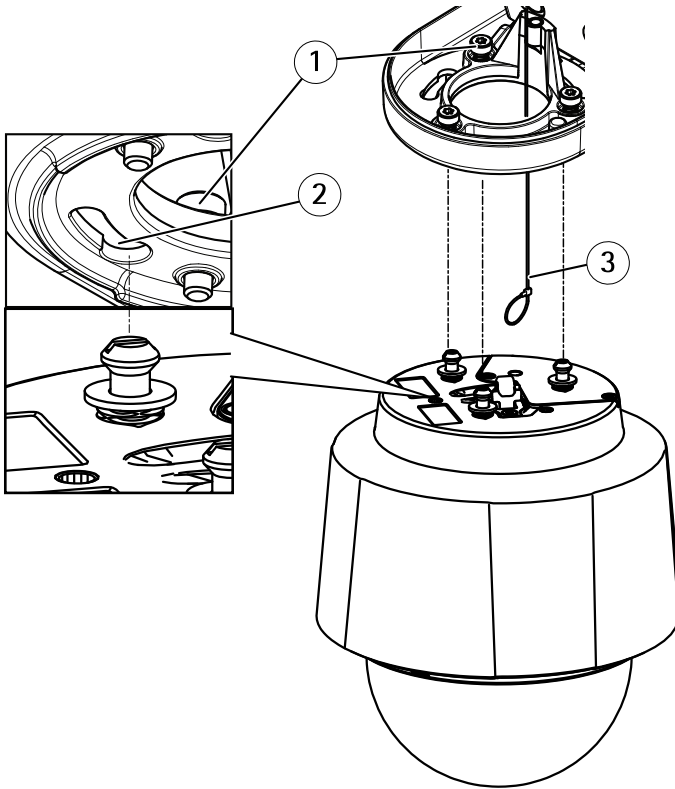
- 10. Far scorrere i supporti dell'unità sulla telecamera di rete nelle fessure della piastra di montaggio e ruotare la telecamera.
- 11. Per installare il midspan fornito, consultare questa guida fornita con il midspan o disponibile all'indirizzo [www.axis.com](http://www.axis.com)
- 12. Installare il pannello del soffitto con la telecamera montata su di esso.
- 13. Mettere l'anello di finitura sulla staffa e serrare le viti.



- 1 *Anello guarnizione*
- 2 *Viti anello di finitura T20 (4x)*

### **Installazione della telecamera con montaggio a staffa**

1. Installare la staffa selezionata in base alle istruzioni fornite. Se è necessario forare, assicurarsi di utilizzare punte, viti e tasselli adatti al materiale.
2. Allentare le viti della base del coperchio della telecamera e rimuoverlo.
3. Far passare il cavo di rete e il cavo multiconnettore, se utilizzato, attraverso i fori della staffa di montaggio.
4. Fissare la telecamera utilizzando il cavo di sicurezza in dotazione.

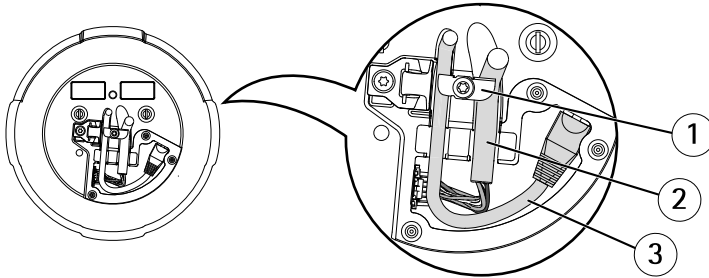


- 1 Vite T30 (3x)
- 2 Slot per supporti unità (3x)
- 3 Cavo di sicurezza

5. Collegare il cavo di rete e, se utilizzato, il cavo multiconnettore alla telecamera.

**AVISO**

- Fare attenzione a non danneggiare i cavi quando li si collega.
- Assicurarsi che i fori della guarnizione in schiuma siano allineati con le tracce dei cavi e se si utilizza un cavo multiconnettore, rimuovere la prefabbricazione per il cavo multiconnettore dalla guarnizione in schiuma.



- 1 *Portacavi*
- 2 *Cavo multiconnettore*
- 3 *Cavo di rete*

6. Ruotare i portacavi per mantenere i cavi in posizione.
7. Posizionare il coperchio posteriore della telecamera nella sua posizione originaria e serrare le viti (serraggio 1,5 Nm).
8. Far scorrere i supporti dell'unità sulla telecamera di rete nelle fessure della staffa di montaggio e ruotare la telecamera.
9. Fissare la telecamera di rete alla staffa di montaggio serrando le viti.
10. Per installare il midspan fornito, consultare la guida all'installazione fornita con il midspan o disponibile all'indirizzo [www.axis.com](http://www.axis.com)

## Modalità di accesso al dispositivo

Per trovare i dispositivi Axis sulla rete e assegnare loro un indirizzo IP in Windows®, utilizza AXIS IP Utility o AXIS Device Manager. Queste applicazioni sono entrambe gratuite e possono essere scaricate dal sito Web [axis.com/support](http://axis.com/support)

Per ulteriori informazioni sull'utilizzo del dispositivo, consultare il Manuale per l'utente disponibile sul sito Web all'indirizzo: [axis.com](http://axis.com)

## Ripristino delle impostazioni predefinite di fabbrica

### Ulteriori Informazioni

- Per la versione più recente di questo documento, visitare il sito all'indirizzo [axis.com](http://axis.com)
- Il manuale per l'utente è disponibile all'indirizzo [axis.com](http://axis.com)
- Per verificare se sono stati pubblicati aggiornamenti del firmware per il proprio dispositivo, vedere [axis.com/support](http://axis.com/support)
- Per servizi di formazione utili e webinar, visita il sito [axis.com/academy](http://axis.com/academy)

## Informazioni sulla garanzia

Per informazioni sulla garanzia del dispositivo Axis e informazioni ad esso relative, consultare la pagina [axis.com/warranty](http://axis.com/warranty).





---

## Información de seguridad

### Niveles de peligro

#### **▲PELIGRO**

Indica una situación peligrosa que, si no se evita, provocará lesiones graves o la muerte.

#### **▲ADVERTENCIA**

Indica una situación peligrosa que, si no se evita, puede provocar lesiones graves o la muerte.

#### **▲ATENCIÓN**

Indica una situación peligrosa que, si no se evita, puede provocar lesiones moderadas o leves.

#### **AVISO**

Indica una situación peligrosa que, si no se evita, puede provocar daños materiales.

ES

### Otros niveles de mensaje

#### Importante

Indica información importante que es fundamental para que el producto funcione correctamente.

#### Nota

Indica información útil que ayuda a aprovechar el producto al máximo.

## Instrucciones de seguridad

### ▲ADVERTENCIA

El producto de Axis debe instalarlo un profesional formado conforme a las leyes y normativas locales.

### AVISO

- Este producto de Axis debe utilizarse de acuerdo con las leyes y normativas locales.
- Axis recomienda utilizar un cable de red blindado (STP).
- Para usar el producto de Axis en exteriores, o en entornos similares, debe instalarse en una carcasa exterior aprobada.
- Almacene el producto de Axis en un entorno seco y ventilado.
- Evite la exposición del producto de Axis a choques o a una fuerte presión.
- No instale el producto en postes, soportes, superficies o paredes inestables.
- Utilice solo las herramientas correspondientes cuando instale el producto de Axis. La aplicación de una fuerza excesiva con herramientas eléctricas puede provocar daños en el producto.
- No utilice limpiadores en aerosol, agentes cáusticos ni productos químicos.
- Limpie con un paño limpio humedecido con agua pura.
- Utilice solo accesorios que cumplan con las especificaciones técnicas de su producto. Estos accesorios los puede proporcionar Axis o un tercero. Axis recomienda utilizar un equipo de suministro de alimentación de Axis compatible con su producto.
- Utilice solo piezas de repuesto proporcionadas o recomendadas por Axis.
- No intente reparar el producto usted mismo. Póngase en contacto con el servicio de asistencia técnica de Axis o con su distribuidor de Axis para tratar asuntos de reparación.
- No coloque el objetivo de la cámara apuntando hacia el sol u otras fuentes de radiación de alta intensidad ya que podría dañar la cámara.

## Transporte

### AVISO

- Cuando transporte el producto de Axis, utilice el embalaje original o un equivalente para evitar daños en el producto.

## Batería

Este producto de Axis utiliza una batería de litio CR2032 de 3,0 V como fuente de alimentación del reloj interno en tiempo real. En condiciones normales, esta batería durará un mínimo de cinco años.

### ▲ATENCIÓN

No sustituya la batería usted mismo. Póngase en contacto con el servicio de asistencia técnica de Axis si el mensaje de registro solicita un cambio de batería.

Las pilas de botón de litio de 3,0 V contienen 1,2-dimetoxietano; éter dimetilico de etilenglicol (EGDME), n.º CAS 110-71-4.

### Cubierta del domo

#### **AVISO**

- Preste atención para no arañar, dañar o dejar las huellas en la cubierta del domo, puesto que esto puede provocar una disminución de la calidad de imagen. Si es posible, mantenga el plástico de protección en la cubierta del domo hasta que se complete la instalación.
- No limpie la cubierta del domo si parece a simple vista que está limpia y nunca pule la superficie. Una limpieza excesiva podría dañar la superficie.
- Para realizar un procedimiento de limpieza general de la cubierta del domo se recomienda usar detergente o jabón neutros, sin disolventes y no abrasivos mezclados con agua pura, y un paño suave y limpio. Enjuague bien con agua pura y tibia. Seque con un paño limpio y suave para evitar las manchas de gotas de agua.
- Nunca use detergentes abrasivos, gasolina, benceno, acetona o productos químicos similares.
- Evite limpiar la cubierta del domo a temperaturas elevadas o en contacto directo con la luz solar.
- Asegúrese de conectar el domo en modo de funcionamiento, si no, el enfoque puede verse afectado.

ES



## Guía de instalación

Esta Guía de instalación incluye las instrucciones necesarias para instalar una de las siguientes cámaras de red en su red:

- Cámara domo de red PTZ AXIS Q6042 Mk II
- Cámara domo de red PTZ AXIS Q6044
- Cámara domo de red PTZ AXIS Q6045 Mk II

Para conocer otros aspectos de uso del producto, vea el manual del usuario disponible en [www.axis.com](http://www.axis.com).

## Pasos de la instalación

1. Asegúrese de que dispone del contenido del paquete, las herramientas y los demás materiales necesarios para la instalación. *Vea página 101.*
2. Estudie la información general del hardware. *Vea página 102.*
3. Estudie las especificaciones. *Vea página 109.*
4. Instale el hardware. *Vea página 110.*
5. Acceda al producto. *Vea página 117.*

ES

## Contenido del paquete

- Cámara de red
  - Cámara domo de red PTZ AXIS Q6042 Mk II, o
  - Cámara domo de red PTZ AXIS Q6044, o
  - Cámara domo de red PTZ AXIS Q6045 Mk II
- Cubierta del domo transparente (montaje previo)
- Cubierta del domo transparente ahumada
- Kit de montaje para techos duros y falsos techos
- Midspan PoE+ de Axis de 1 puerto (LPS)
- Materiales impresos
  - Guía de instalación (este documento)
  - Plantilla de perforado para montaje en falso techo
  - Etiqueta adicional con el número de serie (2x)
  - Clave de autenticación AVHS

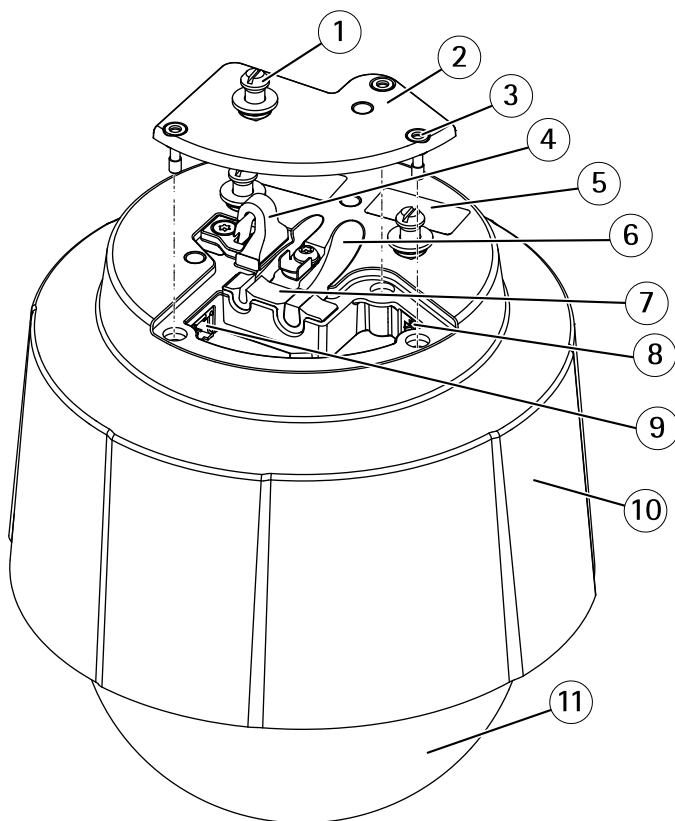
### Accesorios opcionales

Para conocer una lista completa de los accesorios disponibles para este producto, vaya a la página [axis.com](http://axis.com) y seleccione Software y accesorios.

### Información general del hardware

#### AVISO

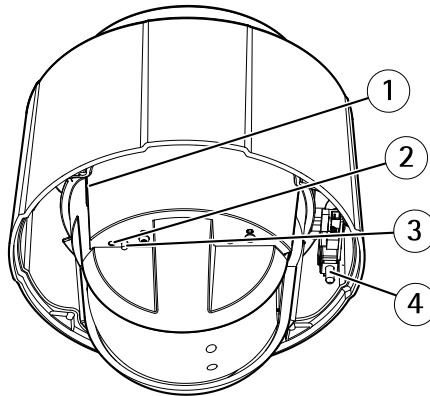
Asegúrese de conectar el domo en modo de funcionamiento, si no, el enfoque puede verse afectado.



- 1 Soporte de la unidad (3x)
- 2 Tapa de la base de la cámara
- 3 Tornillo de la tapa de la base de la cámara T20 (3x)
- 4 Gancho para cable de seguridad

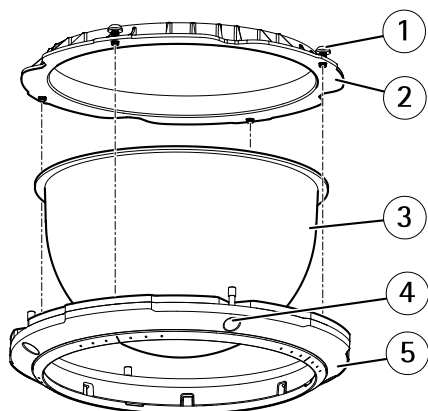
- 5 *Número de pieza (N/P) y número de serie (N/S)*
- 6 *Guía de cables (2x)*
- 7 *Junta de goma*
- 8 *Conector de red (PoE+)*
- 9 *Multiconector*
- 10 *Cubierta superior*
- 11 *Domo*

## Unidad de cámara



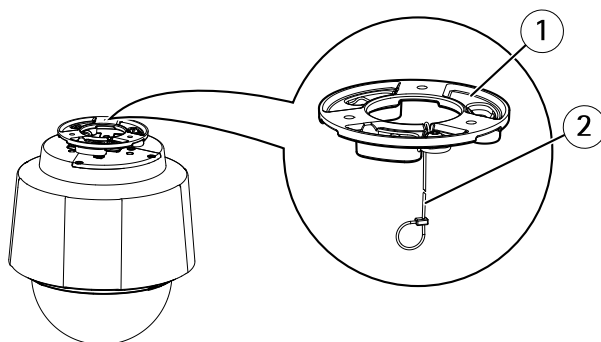
- 1 *Ranura para tarjetas SD*
- 2 *Indicador LED de estado*
- 3 *Botón de control*
- 4 *Botón de encendido*

## Cubierta del domo



- 1 Tornillo del soporte del domo T20 (4x)
- 2 Soporte del domo
- 3 Cubierta del domo
- 4 Tornillo del anillo del domo T20 (4x)
- 5 Anillo del domo

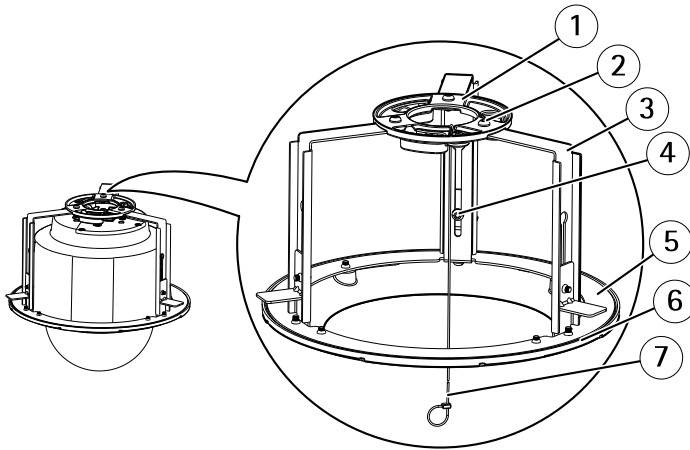
## Montaje en techo duro



- 1 Placa de montaje
- 2 Cable de seguridad



Montaje en falso techo



- 1 Placa de montaje
- 2 Tornillo T20 para placa de montaje (3x)
- 3 Brazo del soporte
- 4 Tornillo T20 para brazo del soporte (3x) y arandela (3x)
- 5 Anillo del soporte
- 6 Anillo de ajuste
- 7 Cable de seguridad

ES

Indicadores LED

LED de estado	Indicación
Apagado	Conexión y funcionamiento normal.
Verde	Fijo en verde durante 10 segundos para indicar un funcionamiento normal después de completar el inicio.
Ámbar	Fijo durante el inicio. Parpadea en verde durante la actualización del firmware o el restablecimiento a la configuración predeterminada de fábrica.
Ámbar/rojo	Parpadea en ámbar/rojo si la conexión a la red no está disponible o se ha perdido.
Rojo	Error de actualización del firmware.

## Conectores y botones

Para conocer las especificaciones y las condiciones de funcionamiento, consulte *página 109*.

### Conector de red

Conector Ethernet RJ45 con alimentación a través de Ethernet Plus (PoE+).

#### **AVISO**

Utilice el midspan suministrado.

#### **AVISO**

El producto se conectará mediante un cable de red blindado (STP). Todos los cables que conecten el producto a la red deberán estar blindados para su uso específico. Asegúrese de que los dispositivos de red estén instalados de conformidad con las instrucciones del fabricante. Para obtener información sobre los requisitos normativos, vea *Electromagnetic compatibility (EMC) on page 4*.

### Conector de audio y de E/S

Conector de terminales para la conexión de equipos externos:

- Equipo de audio
- Dispositivos de entrada/salida (E/S)

Cuando se conectan equipos externos, se debe usar un multicable de Axis para mantener la clasificación IP del producto. Para obtener más información, vea *Multicable de Axis en la página 107*.

### Ranura para tarjetas SD

#### **AVISO**

- Riesgo de daños en la tarjeta SD. No emplee herramientas afiladas, objetos de metal ni demasiada fuerza al insertar o extraer la tarjeta SD. Utilice los dedos para insertar o extraer la tarjeta.
- Riesgo de pérdida de datos y grabaciones dañadas. No extraiga la tarjeta SD mientras el producto esté en funcionamiento. Desinstale la tarjeta SD desde la página web de producto antes de retirarla.

Este producto admite tarjetas SD/SDHC/SDXC.

Para conocer las recomendaciones sobre tarjetas SD, consulte *axis.com*.

### Botón de control

Para conocer la ubicación del botón de control, consulte .

El botón de control se utiliza para lo siguiente:

- Restablecer el producto a la configuración predeterminada de fábrica. Consulte *página 117*.
- Conectarse a un servicio AXIS Video Hosting System. Para obtener más información acerca de este servicio, visite *axis.com*

### Botón de encendido

Mantenga pulsado el botón de encendido para alimentar temporalmente el producto cuando se haya retirado la cubierta del domo. El botón de encendido también se utiliza junto con el botón de control para restablecer la cámara a la configuración predeterminada de fábrica. Vea *página 117*.

### Multicable de Axis

Cuando se conectan equipos externos al producto Axis, se debe usar un multicable de Axis para mantener la clasificación IP del producto. Su revendedor de Axis puede proporcionarle un multicable de Axis. Para ubicar el multiconector, vea *Información general del hardware en la página 102*.

El multicable proporciona los siguientes conectores:

**Conector de alimentación** – Bloque de terminales de 3 pines utilizado para la entrada de alimentación. Use una fuente de alimentación limitada (LPS) que cumpla los requisitos de tensión muy baja de seguridad (SELV) con una potencia nominal de salida limitada a  $\leq 100$  W o una corriente nominal de salida limitada a  $\leq 5$  A.

**Entrada de audio (rosa)** – Entrada de 3,5 mm para micrófono mono, o entrada de línea de señal mono (se usa el canal izquierdo de una señal estéreo).

**Salida de audio (verde)** – Salida de audio (nivel de línea) de 3,5 mm que se puede conectar a un sistema de megafonía pública o a un altavoz con amplificador incorporado. Debe utilizarse un conector estéreo para la salida de audio.

**Conector del terminal de E/S** – Se utiliza con dispositivos externos combinados, por ejemplo, con alarmas antimanipulación, detección de movimiento, activación de eventos, grabación de intervalos de tiempo y notificaciones de alarma. Además del punto de referencia de 0 V CC y la potencia (salida de CC), el conector de E/S ofrece la interfaz para:

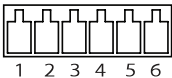
- Salida digital: para conectar dispositivos externos como relés y LED. Los dispositivos conectados se pueden activar mediante la Interfaz de programación de aplicaciones (API) VAPIX®, los botones de salida de la página Live View o mediante una regla de acción. La salida se mostrará activa (se indica en **System Options > Port & Devices > Port Status (Opciones del sistema > Puerto y dispositivos > Estado del puerto)**) si el dispositivo de alarma está activado.
- Entrada digital: una entrada de alarma para conectar dispositivos que puedan alternar circuitos cerrados y abiertos, como: detectores PIR, contactos de puertas y ventanas, detectores de rotura de cristales, etc. Cuando se recibe una señal, el estado cambia y la entrada se vuelve activa (se indica en **System Options >**

Port & Devices > Port Status (Opciones del sistema > Puerto y dispositivos > Estado del puerto).

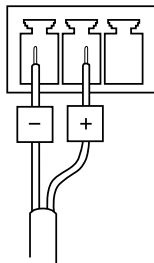
Función	Pin	Notas	Especificaciones
0 V CC (-)	1		
Salida de CC	2	Se puede utilizar para conectar el equipo auxiliar. Nota: Este pin se puede usar solo como salida.	3,3 V CC Carga máx. = 250 mA
Configurable (entrada o salida)	3-6	Entrada digital: Conectar al pin 1 para activarla o dejarla suelta (o desconectada) para desactivarla.	0 a 40 V CC máx.
		Salida digital: Conectada al pin 1 cuando se activa y suelta (sin conectar) cuando está desactivada. Si se utiliza con una carga inductiva (por ejemplo, un relé), debe conectarse un diodo en paralelo a la carga como protección ante transitorios de tensión.	De 0 a 40 V CC máx., drenaje abierto, 100 mA

Para ver un ejemplo del diagrama, consulte *Diagramas de conexión en la página 110*.

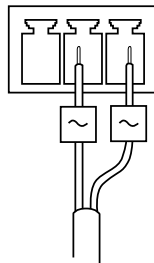
Conector de E/S



Entrada de alimentación de CC



Entrada de alimentación de CA



## Especificaciones

### Condiciones de funcionamiento

El producto de Axis se ha diseñado para su uso en interior.

Producto	Clasificación	Temperatura	Humedad
AXIS Q6042 Mk II AXIS Q6044 AXIS Q6045 Mk II	IEC 60721-4-3 Clase 3K3, 3M3 IEC 60529 IP52	De 0 °C a 50 °C	Humedad relativa: del 10 al 85 % (sin condensación)

### Condiciones de almacenamiento

Producto	Temperatura
AXIS Q6042 Mk II AXIS Q6044 AXIS Q6045 Mk II	De -40 °C a 60 °C

ES

### Consumo

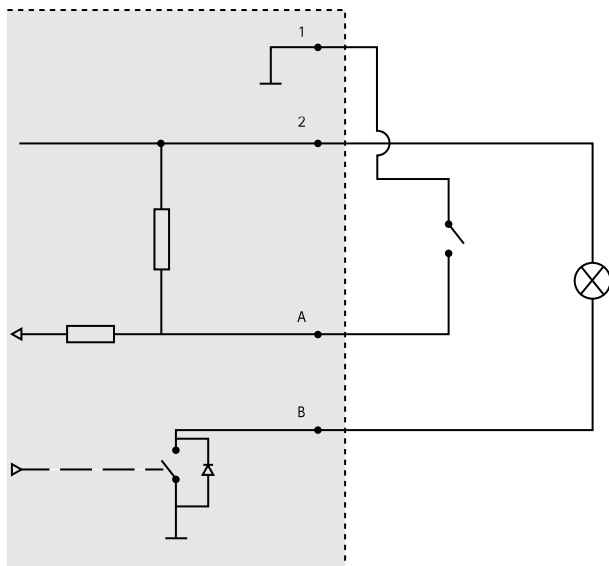
#### AVISO

Use una fuente de alimentación limitada (LPS) que cumpla los requisitos de tensión muy baja de seguridad (SELV) con una potencia nominal de salida limitada a  $\leq 100$  W o una corriente nominal de salida limitada a  $\leq 5$  A. Axis recomienda usar el midspan suministrado.

Producto	Midspan PoE+ de Axis (incluido)	CC	CA
AXIS Q6042 Mk II	100-240 V CA, 37 W máx., típicos 12,3 W	24-34 V CC, 19 W máx.	20-24 V CA, 27 VA máx.
AXIS Q6044	100-240 V CA, 37 W máx.	24-34 V CC, 17,9 W máx.	20-24 V CA, 25,9 VA máx.
AXIS Q6045 Mk II	100-240 V CA, 37 W máx.	24-34 V CC, 19 W máx.	20-24 V CA, 27 VA máx.

## Diagramas de conexión

### Conector de E/S



- 1 0 V CC (-)
- 2 Salida de CC 3,3 V, 250 mA máx.
- A E/S configurada como entrada
- B E/S configurada como salida

## Instalación del hardware

Lea todas las instrucciones antes de instalar el producto. Es recomendable realizar algunos pasos de la instalación juntos, ya que en ellos se precisa la extracción de la cubierta del domo.

### **AVISO**

- Debido a la normativa local o a las condiciones ambientales y eléctricas en las que se vaya a utilizar el producto, puede que sea adecuado u obligatorio el uso de un cable de red blindado (STP). Todos los cables que conectan el producto a la red y que se utilicen en exteriores o en entornos eléctricos exigentes deberán estar blindados y diseñados para su uso específico. Asegúrese de que los dispositivos de red estén instalados de conformidad con las instrucciones del fabricante. Para obtener información sobre los requisitos normativos, vea *Regulatory information on page 4*.
- Monte el producto con la cubierta del domo mirando hacia abajo.

- Preste atención para no arañar, dañar o dejar las huellas en la cubierta del domo, puesto que esto puede provocar una disminución de la calidad de imagen. Si es posible, mantenga el plástico de protección en la cubierta del domo hasta que termine la instalación.

## Sustitución de la cubierta del domo (opcional)

La cubierta del domo transparente premontada se puede sustituir si desea usar la cubierta ahumada o si la cubierta del domo se ha arañado o dañado. Su revendedor de Axis puede proporcionarle cubiertas del domo de repuesto.

Para conocer la ubicación de los componentes, vea *Información general del hardware en la página 102*.

1. Afloje los tornillos del anillo del domo y extraiga la cubierta del domo.
2. Extraiga los tornillos del soporte del domo, el soporte y la cubierta del domo del anillo.
3. Fije el soporte del domo y la cubierta del domo al anillo de este y apriete los tornillos (par de torsión de 1,2 Nm).
4. Para instalar una tarjeta SD, vea *Cómo instalar una tarjeta SD (opcional) en la página 111*.
5. Fije la cubierta del domo a la cubierta superior y apriete los tornillos (par de torsión de 1,5 Nm).

ES

## Cómo instalar una tarjeta SD (opcional)

La instalación de una tarjeta SD es opcional. Puede emplearse una tarjeta SD estándar o de gran capacidad (no incluida) para el almacenamiento local de grabaciones en el producto.

1. Afloje los tornillos del anillo del domo y extraiga la cubierta del domo.
2. Inserte una tarjeta SD en la ranura para tarjetas SD.
3. Fije la cubierta del domo a la cubierta superior y apriete los tornillos (par de torsión de 1,5 Nm).

## Cómo instalar la cámara

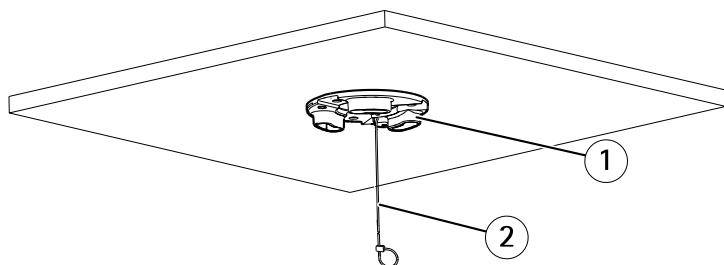
El producto de Axis puede montarse guiando los cables a través de la pared o el techo o a lo largo de estos.

Seleccione una de las siguientes maneras de instalar la cámara:

- *Instalación de la cámara con un montaje en techo duro en la página 112.*
- *Instalación de la cámara con un montaje en falso techo en la página 113.*
- *Instalación de la cámara con una escuadra de montaje en la página 115.*

## Instalación de la cámara con un montaje en techo duro

1. Prepare el techo para instalar la placa de montaje. Utilice la placa de montaje como una plantilla proporcionada para realizar los orificios en su sitio. Asegúrese de usar brocas, tornillos y tacos adecuados para el material.
2. Instale la placa de montaje. La flecha de la placa de montaje se alineará con el logotipo de la cámara.

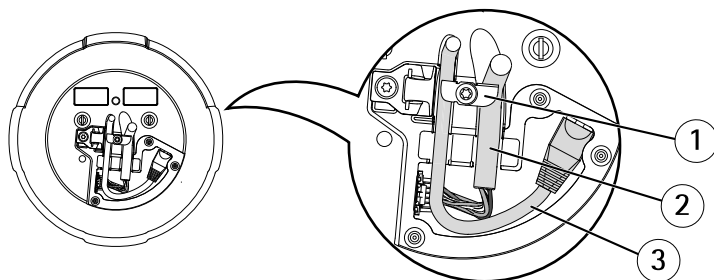


- 1 *Placa de montaje*  
2 *Cable de seguridad*

3. Afloje los tornillos de la tapa de la base de la cámara y extráigala.
4. Fije la cámara con el cable de seguridad suministrado.
5. Tienda y conecte el cable de red y el cable multiconector, si se utiliza, a la cámara.

### **AVISO**

- Asegúrese de no dañar los cables cuando los conecte.
- Asegúrese de que los orificios de la junta de goma estén alineados con las guías de cables. Si se utiliza un cable multiconector, retire la pieza de corte del cable multiconector de la junta de goma.



- 1 *Soportes de cables*  
2 *Cable multiconector*  
3 *Cable de red*



6. Gire los soportes de cables para colocar los cables en su lugar.
7. Vuelva a colocar la tapa de la base de la cámara en su posición original y apriete los tornillos (par de torsión de 1,5 Nm).
8. Deslice los soportes de la cámara de red por las ranuras de la placa de montaje y gire la unidad de cámara.
9. Instale el midspan suministrado siguiendo las instrucciones de la Guía de instalación facilitada con el midspan o localícelas en [www.axis.com](http://www.axis.com)

### Instalación de la cámara con un montaje en falso techo

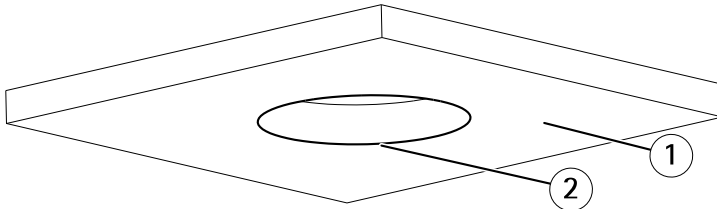
#### ▲ADVERTENCIA

El peso combinado del montaje del techo y la cámara es aproximadamente de 3200 g . Asegúrese de que el material del techo sea lo suficientemente resistente como para soportar ese peso.

#### AVISO

La placa del techo debe tener un grosor de entre 5 y 60 mm .

1. Retire la placa del techo en la que se vaya a ajustar el montaje del falso techo.
2. Realice un orificio en la placa del techo para el montaje del falso techo. Utilice la plantilla suministrada para marcar la posición y cortar según se indique.



- 1 Placa del techo
- 2 Diámetro del orificio de 225 mm .

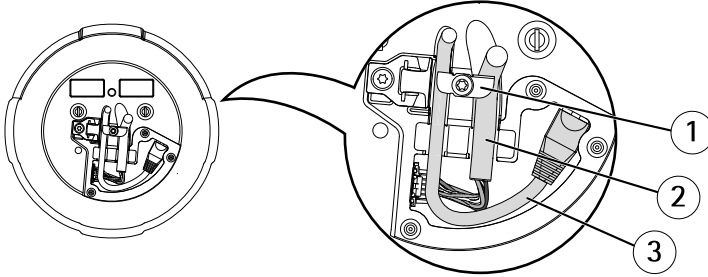
3. Monte el soporte del techo y conéctelo a la placa del techo. Asegúrese de que las flechas de la placa de montaje y el soporte del techo están orientadas hacia la misma dirección que los logotipos de la cámara y el anillo de ajuste para que queden alineados.
4. Apriete los tornillos del brazo del soporte.
5. Afloje los tornillos de la tapa de la base de la cámara y extraígalas.
6. Tienda y conecte el cable de red y el cable multiconector, si se utiliza, a la cámara.

#### AVISO

- Asegúrese de no dañar los cables cuando los conecte.

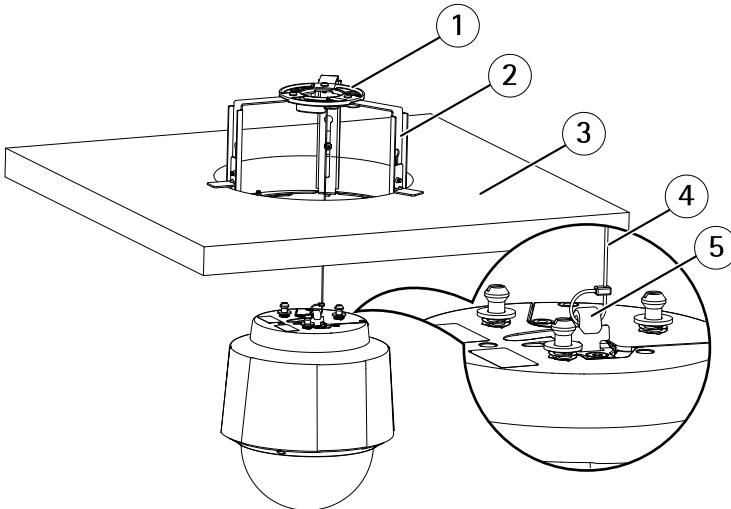
## AXIS Q60 Series

- Asegúrese de que los orificios de la junta de goma estén alineados con las guías de cables. Si se utiliza un cable multiconector, retire la pieza de corte del cable multiconector de la junta de goma.



- 1 Soportes de cables
- 2 Cable multiconector
- 3 Cable de red

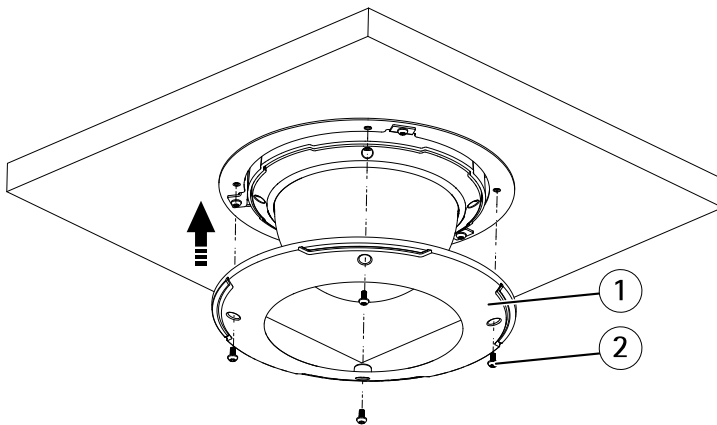
7. Gire los soportes de cables para colocar los cables en su lugar.
8. Vuelva a colocar la tapa de la base de la cámara en su posición original y apriete los tornillos (par de torsión de 1,5 Nm).
9. Fije la cámara con el cable de seguridad suministrado.



- 1 Placa de montaje
- 2 Soporte del techo

- 3 *Placa del techo*
- 4 *Cable de seguridad*
- 5 *Gancho para cable de seguridad*

10. Deslice los soportes de la cámara de red por las ranuras de la placa de montaje y gire la unidad de cámara.
11. Instale el midspan suministrado siguiendo las instrucciones de la Guía de instalación facilitada con el midspan o localícelas en [www.axis.com](http://www.axis.com)
12. Instale la placa del techo con la cámara montada en ella.
13. Ponga el anillo de ajuste en el soporte del techo y apriete los tornillos.

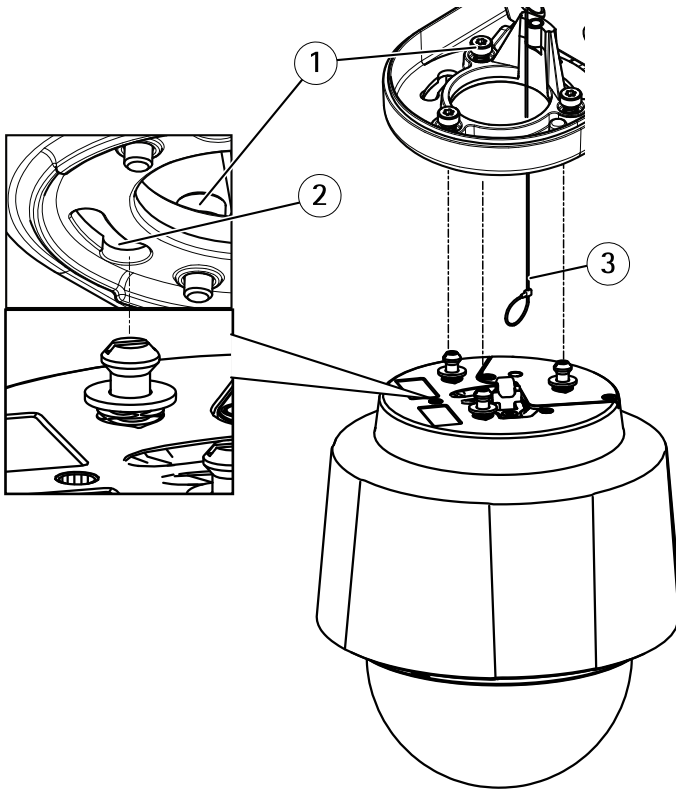


- 1 *Anillo de ajuste*
- 2 *Tornillo del anillo de ajuste T20 (4x)*

ES

**Instalación de la cámara con una escuadra de montaje**

1. Instale la escuadra seleccionada según las instrucciones que la acompañan. Si es necesario perforar, asegúrese de usar brocas, tornillos y tacos adecuados para el material.
2. Afloje los tornillos de la tapa de la base de la cámara y extráigala.
3. Pase el cable de red y el cable multiconector, si se utiliza, por los orificios de la escuadra de montaje.
4. Fije la cámara con el cable de seguridad suministrado.

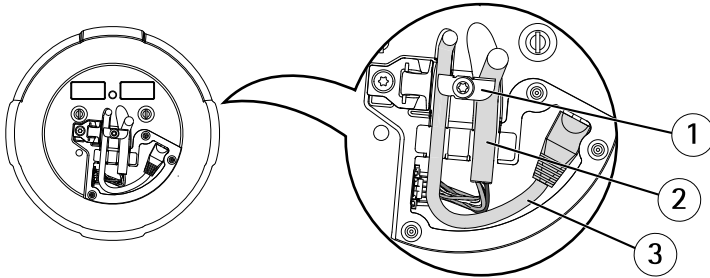


- 1 Tornillo T30 (3)
- 2 Ranura para soporte de unidad (3)
- 3 Cable de seguridad

5. Conecte el cable de red y el cable multiconector, si se utiliza, a la cámara.

**AVISO**

- Asegúrese de no dañar los cables cuando los conecte.
- Asegúrese de que los orificios de la junta de goma estén alineados con las guías de cables. Si se utiliza un cable multiconector, retire la pieza de corte del cable multiconector de la junta de goma.



- 1 Soportes de cables
- 2 Cable multiconector
- 3 Cable de red

6. Gire los soportes de cables para colocar los cables en su lugar.
7. Vuelva a colocar la tapa de la base de la cámara en su posición original y apriete los tornillos (par de torsión de 1,5 Nm).
8. Deslice los soportes de la cámara de red por las ranuras de la escuadra de montaje y gire la unidad de cámara.
9. Fije la cámara de red a la escuadra de montaje apretando los tornillos.
10. Instale el midspan suministrado siguiendo las instrucciones de la Guía de instalación facilitada con el midspan o localícelas en [www.axis.com](http://www.axis.com)

ES

## Cómo acceder al producto

Para localizar dispositivos de Axis en la red y asignarles direcciones IP en Windows®, utilice AXIS IP Utility o AXIS Device Manager. Ambas aplicaciones son gratuitas y pueden descargarse desde [axis.com/support](http://axis.com/support)

Para obtener más información sobre el uso del producto, consulte el manual del usuario, disponible en [axis.com](http://axis.com).

## Restablecimiento a la configuración predeterminada de fábrica

### Más información

- Para consultar la versión más reciente de este documento, vaya a [axis.com](http://axis.com).
- El manual de usuario se encuentra disponible en [axis.com](http://axis.com).
- Para comprobar si existe un firmware actualizado disponible para su dispositivo, vaya a [axis.com/support](http://axis.com/support).

- Para consultar webinars y cursos en línea que pueden resultarle útiles, vaya a [axis.com/academy](https://axis.com/academy).

### **Información de garantía**

Para obtener más detalles sobre la garantía del producto Axis y la información relacionada con ella, visite [axis.com/warranty](https://axis.com/warranty).

## 安全情報

### 危険レベル

#### ▲危険

回避しない場合、死亡または重傷につながる危険な状態を示します。

#### ▲警告

回避しない場合、死亡または重傷につながるおそれのある危険な状態を示します。

#### ▲注意

回避しない場合、軽傷または中程度の怪我につながるおそれのある危険な状態を示します。

#### 注記

回避しない場合、器物の破損につながるおそれのある状態を示します。

### その他のメッセージレベル

#### 重要

製品を正しく機能させるために不可欠な重要情報を示します。

#### 注意

製品を最大限に活用するために役立つ有用な情報を示します。

### 安全手順

#### ▲警告

本製品の設置は、お使いになる地域の法律や規制に準拠して、訓練を受けた専門技術者が行ってください。

#### ▲注記

- 本製品は、お使いになる地域の法律や規制に準拠して使用してください。
- Axisは、シールドネットワークケーブル (STP) の使用を推奨します。
- 本製品を屋外またはそれに準じる環境で使用する場合は、認定済みの屋外用筐体に収納して設置する必要があります。
- 本製品は乾燥した換気のよい環境に保管してください。
- 本製品に衝撃または強い圧力を加えないでください。
- 本製品を不安定なポール、ブラケット、表面、または壁に設置しないでください。
- 本製品を設置する際には、適切な工具のみを使用してください。電動工具を使用して過剰な力をかけると、製品が損傷することがあります。
- 化学薬品、腐食剤、噴霧式クリーナーは使用しないでください。
- 清掃には、きれいな水に浸した清潔な布を使用してください。
- 製品の技術仕様に準拠したアクセサリのみを使用してください。これらのアクセサリは、Axisまたはサードパーティから入手できます。Axisは、ご使用の製品と互換性のあるAxis給電ネットワークスイッチの使用を推奨します。
- Axisが提供または推奨する交換部品のみを使用してください。
- 製品を自分で修理しないでください。修理については、Axisサポートまたは販売代理店にお問い合わせください。
- 太陽などの高輝度の光源にはカメラのレンズを向けないでください。カメラが損傷することがあります。

### 輸送

#### ▲注記

- 本製品を運搬する際は、製品が損傷しないよう、元の梱包が同等の梱包を使用してください。

### バッテリー

本製品は、内部リアルタイムクロック (RTC) 用電源として、3.0V CR2032リチウムバッテリーを使用します。このバッテリーは、通常条件下で最低5年間使用できます。

#### ▲注意



自分でバッテリーを交換しないでください。ログメッセージがバッテリーの交換を要求している場合は、アクシスサポートに連絡してください。

リチウムコイン型3.0V電池は、1,2-ジメトキシエタン(エチレングリコールジメチルエーテル(EGDME)、CAS番号110-71-4)を含有しています。

## ドームカバー

### 注記

- 画質低下の原因となるため、ドームカバーに傷や指紋を付けたり、損傷しないように注意してください。可能であれば、設置が完了するまでドームカバーに保護プラスチックを付けたままにしてください。
- 肉眼で見て汚れがない場合は、ドームカバーを掃除しないでください。また、絶対に表面を磨かないでください。過度な清掃により、表面が破損することがあります。
- ドームカバーの通常のクリーニングには、磨耗防止タイプの無溶媒の中性石鹼またはきれいな水で薄めた洗剤と、柔らかい清潔な布を使用することをお勧めします。洗浄後、きれいなぬるま湯でよくすすいでください。水滴の跡が付かないよう、清潔な柔らかい布で拭いて乾かしてください。
- 強力な洗剤、ガソリン、ベンジン、アセトン、同様の化学薬品は絶対に使用しないでください。
- 直射日光が当たる場所や気温が上昇する場所でのドームカバーの清掃は避けてください。
- ドームは動作モードで取り付けてください。そのようにしない場合、フォーカスに影響する場合があります。



## インストールガイド

このインストールガイドでは、次のネットワークカメラのいずれかをお使いのネットワークにインストールする手順について説明します。

- AXIS Q6042 Mk II PTZ ドームネットワークカメラ
- AXIS Q6044 PTZ ドームネットワークカメラ
- AXIS Q6045 Mk II PTZ ドームネットワークカメラ

製品の使用の詳細については、[www.axis.com](http://www.axis.com)で入手できるユーザーズマニュアルを参照してください

## 設置手順

1. パッケージの内容、ツールなど、設置に必要な物がそろっているかを確認します。 123ページを参照してください。
2. ハードウェアの概要を確認します。 124ページを参照してください。
3. 仕様を確認します。 130ページを参照してください。
4. ハードウェアを設置します。 132ページを参照してください。
5. 製品にアクセスします。 140ページを参照してください。

JA

## パッケージの内容

- ネットワークカメラ
  - AXIS Q6042 Mk II PTZ ドームネットワークカメラ、または
  - AXIS Q6044 PTZ ドームネットワークカメラ、または
  - AXIS Q6045 Mk II PTZ ドームネットワークカメラ
- 透明ドームカバー (装着済み)
- スモーク透明ドームカバー
- 天吊り/天井埋め込み取り付けキット
- Axis PoE+ミッドスパン1ポート (LPS)
- 印刷物
  - インストールガイド (本書)
  - 埋め込み取り付けキット用ドリルテンプレート
  - 予備のシリアル番号ラベル (2枚)
  - AVHS認証キー

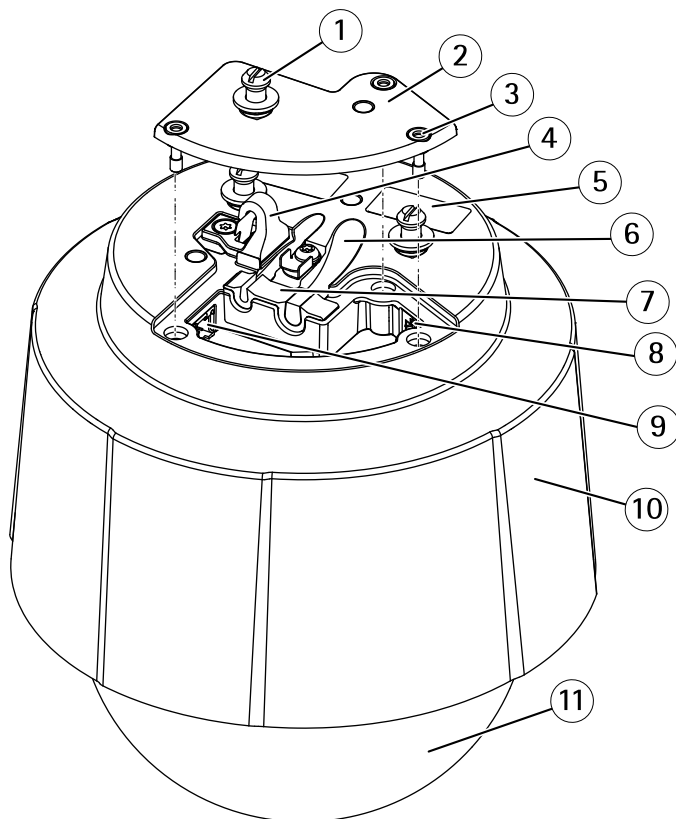
### オプションアクセサリ

本製品で利用可能なすべてのアクセサリについては、[axis.com](http://axis.com)で本製品のページを開いて「ソフトウェア&アクセサリ」を参照してください。

### ハードウェアの概要

#### 注記

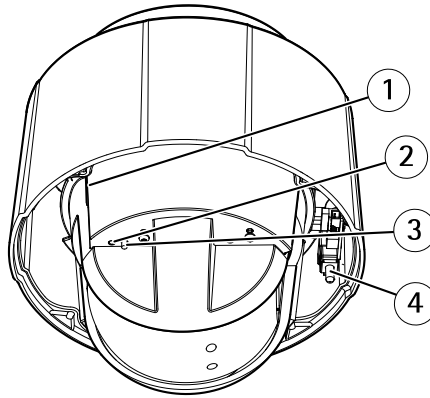
ドームは動作モードで取り付けてください。そのようにしない場合、フォーカスに影響する場合があります。



- 1 ユニットホルダー (×3)
- 2 カメラ本体のふた
- 3 カメラ本体のふた用ネジ T20 (×3)
- 4 安全ワイヤーフック

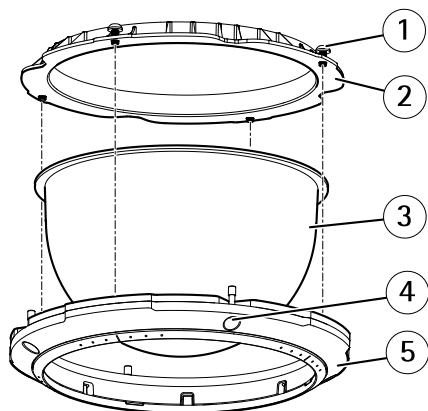
- 5 型番 (P/N) とシリアル番号 (S/N)
- 6 ケーブルトラック (×2)
- 7 フォームガasket
- 8 ネットワークコネクタ (PoE+)
- 9 マルチコネクタ
- 10 上蓋
- 11 ドーム

## カメラユニット



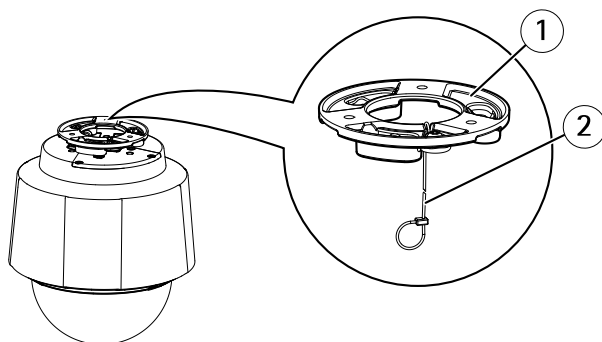
- 1 SDカードスロット
- 2 ステータスLEDインジケータ
- 3 コントロールボタン
- 4 電源ボタン

## ドームカバー



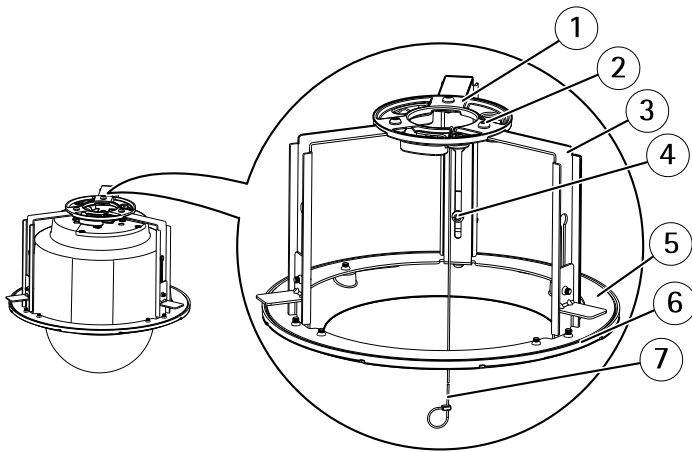
- 1 ドームブラケットネジ T20 (×4)
- 2 ドームブラケット
- 3 ドームカバー
- 4 ドームリングネジ T20 (×4)
- 5 ドームリング

## 天井取り付けキット



- 1 取り付けプレート
- 2 安全ワイヤー

埋め込み取り付けキット



- 1 取り付けプレート
- 2 取り付けプレートネジ T20 (×3)
- 3 ブラケットアーム
- 4 ブラケットアームネジ T20 (×3) とワッシャ (×3)
- 5 ブラケットリング
- 6 トリムリング
- 7 安全ワイヤー

JA

LEDインジケータ

ステータスLED	説明
無点灯	接続時と正常動作時です。
緑	起動完了後、通常の操作では10秒間緑色に点灯します。
オレンジ	起動時に点灯します。ファームウェアのアップグレード時と工場出荷時設定へのリセット時に点滅します。
オレンジ/赤	ネットワーク接続が利用できないか、失われた場合は、オレンジ/赤色で点滅します。
赤	ファームウェアのアップグレード失敗。

### コネクタとボタン

仕様と動作条件については、130ページを参照してください。

#### ネットワークコネクタ

Power over Ethernet Plus (PoE+) 対応RJ45イーサネットコネクタ

##### 注記

付属のミッドスパンを使用します。

##### 注記

本製品は、シールドネットワークケーブル (STP) を使用して接続してください。本製品は、用途に合ったケーブルを使用してネットワークに接続してください。ネットワーク装置がメーカーの指示どおりに設置されていることを確認します。法的要件については、*Electromagnetic compatibility (EMC) on page 4*を参照してください。

#### I/Oおよび音声コネクタ

以下の外部装置を接続するターミナルコネクタ:

- 音声装置
- 入出力 (I/O) デバイス

外部装置を接続する場合、本製品のIP定格を維持するため、AXISマルチケーブルが必要になります。詳細については、129ページの、*AXISマルチケーブル*を参照してください。

#### SDカードスロット

##### 注記

- SDカード損傷の危険があります。SDカードの挿入と取り外しの際には、鋭利な工具や金属性の物を使用したり、過剰な力をかけたりしないでください。カードの挿入や取り外しは指で行ってください。
- データ損失や録画データ破損の危険があります。本製品の稼働中はSDカードを取り外さないでください。取り外しの前に、製品のWebページからSDカードをマウント解除してください。

本製品は、SD/SDHC/SDXCカードに対応しています。

推奨するSDカードについては、*axis.com*を参照してください。

#### コントロールボタン

コントロールボタンの位置については、を参照してください。

コントロールボタンは、以下の用途で使用します。



- 製品を工場出荷時の設定にリセットする。140ページを参照してください。
- AXIS Video Hosting Systemサービスに接続する。このサービスの詳細については、[axis.com](http://axis.com)を参照してください。

## 電源ボタン

ドームカバーを取り外したとき、製品の電源を一時的に入れるには、電源ボタンを押し続けます。電源ボタンとコントロールボタンを同時に押すと、カメラが工場出荷時の設定にリセットされます。140ページを参照してください。

## AXISマルチケーブル

外部装置を本製品に接続する場合、本製品のIP定格を維持するため、AXISマルチケーブルが必要になります。AXISマルチケーブルは、Axisの販売代理店から購入できます。マルチコネクタの位置については、124ページの、ハードウェアの概要を参照してください。

マルチケーブルには、以下のコネクタがあります。

**電源コネクタ** - 電源入力用3ピンターミナルブロック。定格出力が100 W以下または5 A以下の安全特別低電圧 (SELV) に準拠した有限電源 (LPS) を使用してください。

**音声入力 (ピンク)** - モノラルマイクロフォンまたはラインインモノラル信号用 (左チャンネルはステレオ信号で使用) 3.5 mm入力。

**音声出力 (緑)** - 3.5 mm音声 (ラインレベル) 出力 (パブリックアドレス (PA) システムまたはアンプ内蔵アクティブスピーカーに接続可能)。音声出力には、ステレオコネクタを使用する必要があります。

**I/Oターミナルコネクタ** - 外部装置を接続し、カメラに対するいたずらの警報、動体検知、イベントトリガー、低速度撮影、アラーム通知などを使用することができます。I/Oコネクタは、0 V DC基準点と電力 (DC出力) に加えて、以下のインターフェースを提供します。

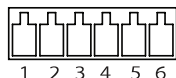
- デジタル出力 - リレーやLEDなどの外部デバイスを接続します。接続されたデバイスは、VAPIX®アプリケーションプログラミングインターフェース (API)、[Live View] (ライブビュー) ページの出力ボタン、アクションルールを使用してアクティブにすることができます。アラームデバイスがアクティブな場合は、出力がactiveとして表示されます ([System Options - Port & Devices - Port Status] (システムオプション - ポートとデバイス - ポートの状態) で表示)。
- デジタル入力 - オープンサーキットとクローズサーキットの切り替えが可能なデバイスを接続するためのアラーム入力。信号を受け取ると状態が変化し、入力がactiveになります ([System Options - Ports & Devices - Port Status] (システムオプション - ポートとデバイス - ポートの状態) で表示)。

## AXIS Q60 Series

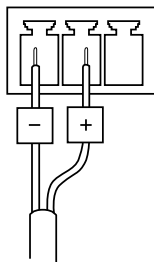
機能	ピン	備考	仕様
0 V DC (-)	1		
DC出力	2	補助装置の電源供給に使用できません。 注: このピンは、電源出力としてのみ使用できます。	3.3 V DC 最大負荷 = 250 mA
設定可能 (入力または出力)	3-6	デジタル入力 - 動作させるにはピン1に接続し、動作させない場合はフロート状態 (未接続) のままにします。	0~40 V DC (最大)
		デジタル出力 - 動作させるにはピン1に接続し、動作させない場合はフロート状態 (未接続) にします。 誘導負荷 (例: リレー) とともに使用する場合は、過渡電圧から保護するため、ダイオードを負荷と並列に接続する必要があります。	0~40 V DC (最大)、 オープンドレイン、 100 mA

接続例の図については、132ページの、[接続図](#)を参照してください。

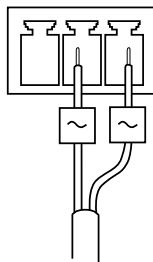
I/Oコネクタ



DC電源入力



AC電源入力



## 仕様

### 動作条件

本製品は屋内用です。

製品	等級	温度	湿度
AXIS Q6042 Mk II AXIS Q6044 AXIS Q6045 Mk II	IEC 60721-4-3 Class 3K3、 3M3 IEC 60529 IP52	0 ° C ~ 50 ° C	10 ~ 85% RH (結露不可)

## 保管条件

製品	温度
AXIS Q6042 Mk II AXIS Q6044 AXIS Q6045 Mk II	-40 ° C ~ 60 ° C

## 消費電力

### 注記

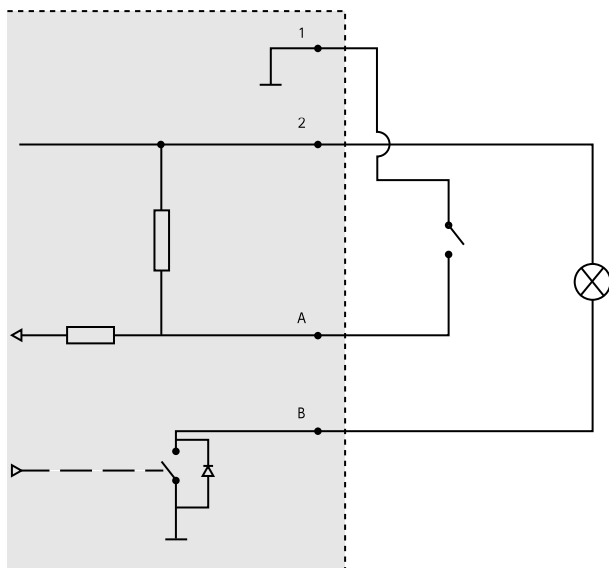
定格出力が $\leq 100$  W以下または5 A以下の安全特別低電圧 (SELV) に準拠した有限電源 (LPS) を使用してください。Axis は、付属のミッドスパンの使用を推奨します。

JA

製品	Axis PoE+ ミッドスパン (付属品)	DC	AC
AXIS Q6042 Mk II	100 ~ 240 V AC、 最大 37 W、 標準 12.3 W	24 ~ 34 V DC、 最大 19 W	20 ~ 24 V AC、 最大 27 VA
AXIS Q6044	100 ~ 240 V AC、 最大 37 W	24 ~ 34 V DC、 最大 17.9 W	20 ~ 24 V AC、 最大 25.9 VA
AXIS Q6045 Mk II	100 ~ 240 V AC、 最大 37 W	24 ~ 34 V DC、 最大 19 W	20 ~ 24 V AC、 最大 27 VA

## 接続図

### I/Oコネクタ



- 1 0VDC (-)
- 2 DC出力3.3V、最大250mA
- A I/O (入力として設定)
- B I/O (出力として設定)

## ハードウェアのインストール

製品を取り付ける前に、すべての説明に目を通してください。一部の設置手順ではドームカバーを取り外さなければならない場合があるため、読んでおくに立ちます。

### 注記

- 本製品を使用する場所の地域条例、環境、電気的条件によっては、シールドネットワークケーブル (STP) の使用が推奨または必須になります。本製品をネットワークに接続して屋外または電氣的に厳しい環境に配線する場合は、用途に合ったネットワークケーブルを使用してください。ネットワーク装置がメーカーの指示どおりに設置されていることを確認します。法的要件については、*Regulatory information on page 4*を参照してください。
- 本製品はドームカバーを下向きにして取り付けてください。

- 画質低下の原因となるので、ドームカバーに傷や指紋を付けたり、損傷しないように注意してください。可能であれば、設置が完了するまでドームカバーに保護プラスチックを付けたままにしてください。

## ドームカバーの交換 (オプション)

スモークドームカバーを使用したい場合や、ドームカバーに傷が付いたり、損傷したりした場合、装着済みの透明ドームカバーを交換できます。交換用のドームカバーは、Axisの販売代理店から購入できます。

コンポーネントの位置については、124ページの、ハードウェアの概要を参照してください。

1. ドームリングネジをゆるめてドームカバーを取り外します。
2. ドームリングからドームブラケットネジ、ドームブラケットとドームカバーを取り外します。
3. ドームリングにドームブラケットとドームカバーを取り付け、ネジ (トルク1.2 Nm) を締めます。
4. SDメモリーカードの装着方法については、133ページの、SDカードの装着方法 (オプション) を参照してください。
5. ドームカバーを上蓋に取り付け、ネジを締めます (トルク1.5 Nm)。

JA

## SDカードの装着方法 (オプション)

SDカードは、必要に応じて装着します。標準または大容量のSDカード (非付属品) を使用すると、録画をローカルに保存することができます。

1. ドームリングネジをゆるめてドームカバーを取り外します。
2. SDカードをSDカードスロットに挿入します。
3. ドームカバーを上蓋に取り付け、ネジを締めます (トルク1.5 Nm)。

## カメラの設置方法

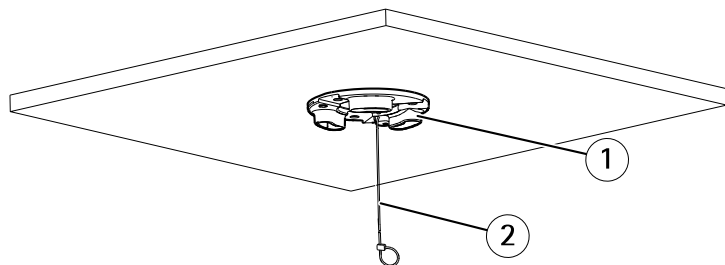
本製品は、配線を壁や天井に沿って、あるいは中を通して設置することができます。

次からカメラの設置方法を1つ選択します。

- 134ページの、天井取り付けキットへのカメラの取り付け。
- 135ページの、埋め込み取り付けキットへのカメラの取り付け。
- 138ページの、ブラケットへのカメラの取り付け。

## 天井取り付けキットへのカメラの取り付け

1. 取り付けプレートを設置する天井を確保します。テンプレートとして取り付けプレートを使って穴を配置します。必ず材質に適したドリルビット、ねじ、およびプラグを使用してください。
2. 取り付けプレートを取り付けます。据付プレートの矢印は、カメラのロゴタイプと合うようになります。

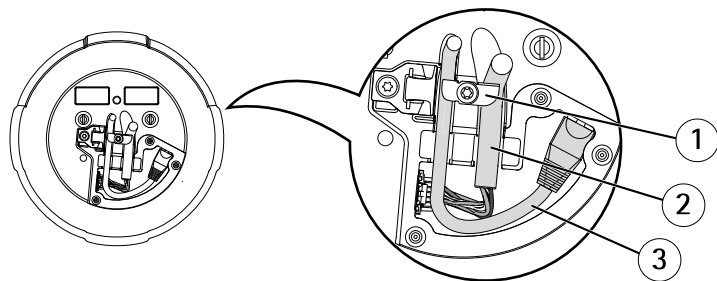


- 1 取り付けプレート
- 2 安全ワイヤー

3. カメラ本体のふたのネジをゆるめて、カメラ本体のふたを取り外します。
4. 付属の安全ワイヤーを使用してカメラを固定します。
5. ネットワークケーブルと、使用する場合はマルチコネクタケーブルをカメラに配線および接続します。

### 注記

- 接続時にケーブルを傷つけないよう、注意してください。
- フォームガスケット孔とケーブルレール位置を合わせます。マルチコネクタケーブルを使用している場合は、フォームガスケットにマルチコネクタケーブル用のカットアウトを開きます。



- 1 ケーブルホルダー
- 2 マルチコネクタケーブル

### 3 ネットワークケーブル

6. ケーブルが適切な位置に保持されるよう、ケーブルホルダーを回転させます。
7. カメラ本体のふたを元の位置に戻し、ネジをしっかりと締めます (トルク1.5 Nm)。
8. ネットワークカメラのユニットホルダーを据付プレートの溝穴に滑り込ませ、カメラユニットを回転させます。
9. 付属のミッドスパンを設置します。ミッドスパンに同梱のインストールガイド、または [www.axis.com](http://www.axis.com) を参照してください

#### 埋め込み取り付けキットへのカメラの取り付け

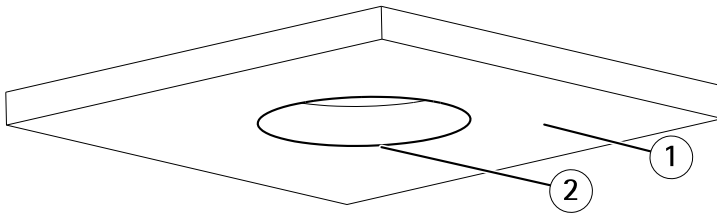
##### ▲警告

カメラと天井取付部品の総重量は、約3200 g です。天井の材質が重量を支えるのに十分であるかを確認してください。

##### ▲注記

必要な天井ボードの厚さは5~60 mmです。

1. 埋め込み取り付けキットを取り付ける天井ボードを取り外します。
2. 天井ボードに埋め込み取り付けキット用の穴を開けます。付属のテンプレートを使用して印を付け、テンプレートに沿って切り取ります。

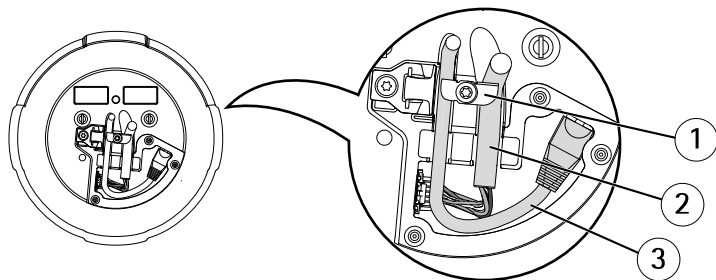


- 1 天井ボード
- 2 穴径225 mm

3. 天井ブラケットを組み立て、天井ボードに取り付けます。据付プレートと天井ブラケットの矢印が、カメラとトリムリングのロゴタイプが同じ方向を向いていることを確認してください。
4. ブラケットアームのネジを締めます。
5. カメラ本体のふたのネジをゆるめて、カメラ本体のふたを取り外します。
6. ネットワークケーブルと、使用する場合はマルチコネクタケーブルをカメラに配線および接続します。

### 注記

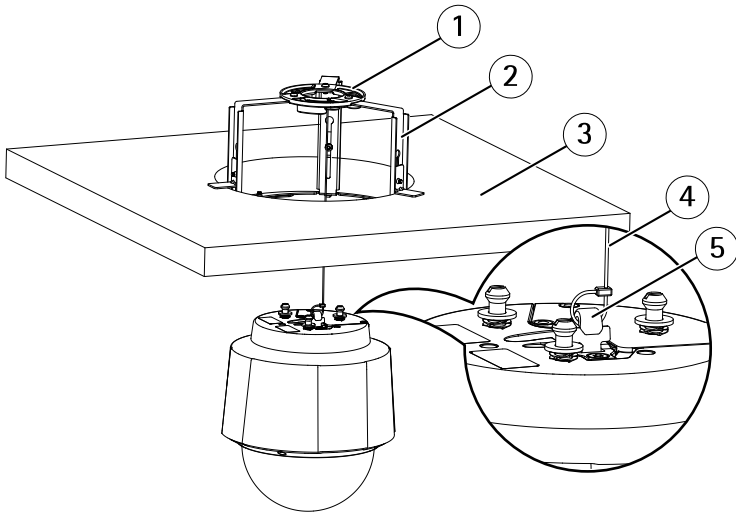
- 接続時にケーブルを傷つけないよう、注意してください。
- フォームガスケット孔とケーブルレールの位置を合わせます。マルチコネクタケーブルを使用している場合は、フォームガスケットにマルチコネクタケーブル用のカットアウトを開きます。



- 1 ケーブルホルダー
- 2 マルチコネクタケーブル
- 3 ネットワークケーブル

7. ケーブルが適切な位置に保持されるよう、ケーブルホルダーを回転させます。
8. カメラ本体のふたを元の位置に戻し、ネジをしっかりと締めます (トルク 1.5 Nm)。
9. 付属の安全ワイヤーを使用してカメラを固定します。

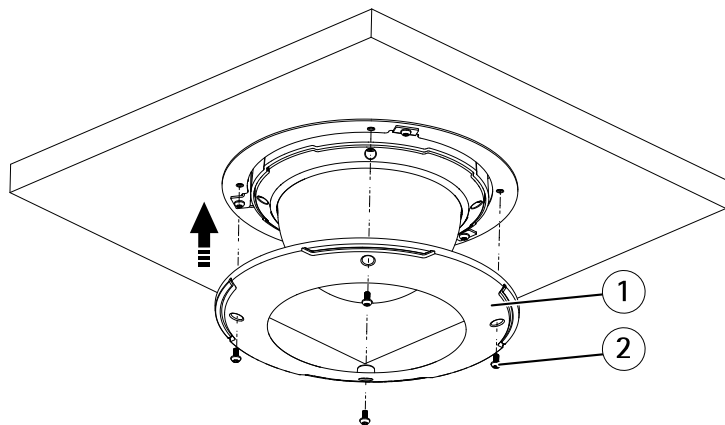




- 1 取り付けプレート
- 2 天井ブラケット
- 3 天井ボード
- 4 安全ワイヤー
- 5 安全ワイヤーフック

JA

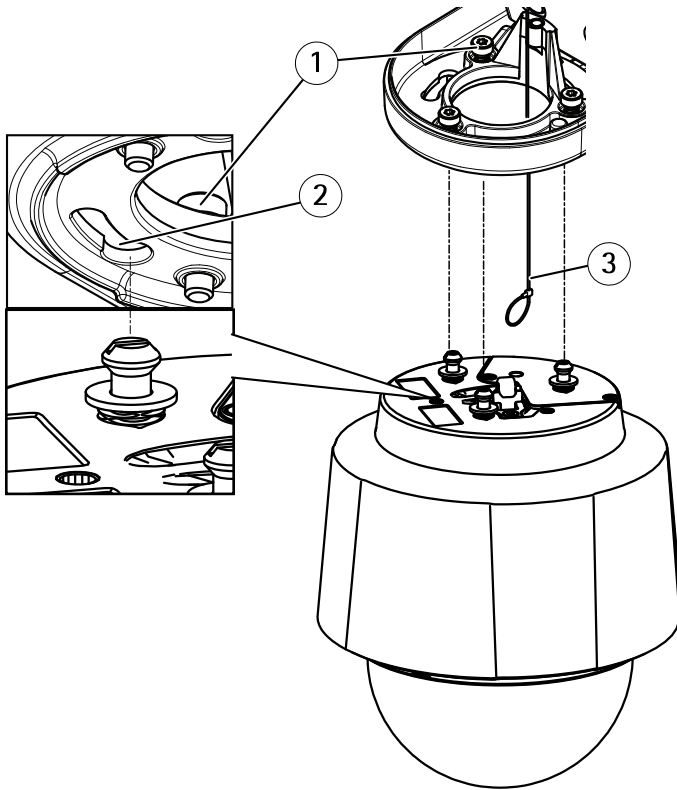
10. ネットワークカメラのユニットホルダーを据付プレートの溝穴に滑り込ませ、カメラユニットを回転させます。
11. 付属のミッドスパンを設置します。ミッドスパンに同梱のインストールガイド、または [www.axis.com](http://www.axis.com) を参照してください。
12. カメラを取り付けた天井ボードを設置します。
13. 天井ブラケットにトリムリングをはめ、ネジでしっかりと止めます。



- 1 トリムリング
- 2 トリムリングネジ T20 (×4)

## ブラケットへのカメラの取り付け

1. ブラケット付属の説明書に従って、ブラケットを取り付けます。ドリルによる穴開けが必要な場合は、素材に適したドリルビット、ネジ、プラグを使用してください。
2. カメラ本体のふたのネジをゆるめて、カメラ本体のふたを取り外します。
3. ネットワークケーブルと、使用する場合はマルチコネクタケーブルを配線し、取り付け用ブラケットの穴に通します。
4. 付属の安全ワイヤーを使用してカメラを固定します。

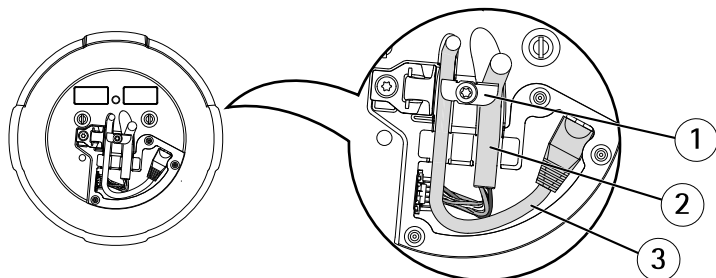


- 1 ネジ T30 (×3)
- 2 ユニットホルダー用スロット (×3)
- 3 安全ワイヤー

5. ネットワークケーブルと、使用する場合はマルチコネクタケーブルをカメラに接続します。

**注記**

- 接続時にケーブルを傷つけないよう、注意してください。
- フォームガスケット孔とケーブルレールの位置を合わせます。マルチコネクタケーブルを使用している場合は、フォームガスケットにマルチコネクタケーブル用のカットアウトを開きます。



- 1 ケーブルホルダー
- 2 マルチコネクタケーブル
- 3 ネットワークケーブル

6. ケーブルが適切な位置に保持されるよう、ケーブルホルダーを回転させます。
7. カメラ本体のふたを元の位置に戻し、ネジをしっかりと締めます (トルク 1.5 Nm)。
8. ネットワークカメラのユニットホルダーを取り付け用ブラケットのスロットにはめ込み、カメラユニットを回転させます。
9. ネジを締め、ネットワークカメラを取り付けブラケットに固定します。
10. 付属のミッドスパンを設置します。ミッドスパンに同梱のインストールガイド、または [www.axis.com](http://www.axis.com) を参照してください

## 製品のアクセス方法

Windows®でネットワーク上のAxisデバイスを見つけて、それらにIPアドレスを割り当てるには、AXIS IP UtilityまたはAXIS Device Managerを使用します。いずれのアプリケーションも無料で、[axis.com/support](http://axis.com/support)からダウンロードできます。

製品の使用の詳細については、Axisのホームページ ([axis.com](http://axis.com)) でユーザーズマニュアルを参照してください

## 工場出荷時の設定にリセットする

### 関連情報

- 本書の最新バージョンについては、[axis.com](http://axis.com)にアクセスしてください。
- ユーザーズマニュアルは、[axis.com](http://axis.com)で入手できます。
- ご使用のデバイスの新しいファームウェアがリリースされていないかを確認するには、[axis.com/support](http://axis.com/support)にアクセスしてください。

- 役に立つオンライントレーニングおよびWebセミナーをご用意しております。[axis.com/academy](https://axis.com/academy)をご覧ください。

### 保証情報

アクシスの製品保証と関連情報については、[axis.com/warranty](https://axis.com/warranty)をご覧ください。



## 安全信息

### 危险等级

**▲危险**

表示如果不避免则会导致死亡或严重伤害的危险情况。

**▲警告**

表示如果不避免则可能导致死亡或严重伤害的危险情况。

**▲小心**

表示如果不避免则可能导致轻微或中度伤害的危险情况。

**注意**

表示如果不避免则可能导致财产损失的情况。

### 其他消息等级

**重要**

表示产品正常工作所必需的重要信息。

**备注**

表示有助于充分利用产品的有用信息。

## 安全说明

### ⚠警告

Axis 产品应由受过培训的专业人员进行安装，并遵守当地法律和法规。

### 注意

- 使用 Axis 产品时应遵守当地法律和法规。
- Axis 推荐使用屏蔽网络电缆 (STP)。
- 要在室外或类似环境中使用 Axis 产品，应将该产品安装在获得批准的室外防护罩中。
- 在干燥通风的环境中存放 Axis 产品。
- 避免将 Axis 产品暴露在冲击或高压环境下。
- 请勿将产品安装在不稳固的立杆、支架、表面或墙壁上。
- 安装 Axis 产品时，仅使用适用的工具。使用电动工具过度施力可能导致产品损坏。
- 请勿使用化学品、腐蚀剂或气雾剂。
- 使用蘸纯净水的干净布进行清洁。
- 仅使用符合产品技术规格的附件。这些附件可由 Axis 或第三方提供。Axis 推荐使用与产品兼容的 Axis 电源设备。
- 仅使用 Axis 提供或推荐的备件。
- 请勿尝试自行维修产品。有关服务事项，请联系 Axis 支持部门或 Axis 经销商。
- 请勿将摄像机镜头对准太阳或其他高强度辐射源，因为这可能会损坏摄像机。

## 运输

### 注意

- 安讯士产品运输途中，应使用其原包装或等效包装，以防对产品造成损坏。

## 电池

安讯士产品使用 3.0 V CR2032 锂电池作为其内部实时时钟 (RTC) 的电源。在正常情况下，此电池将持续至少五年。

### ⚠小心

请勿自行更换电池。如果日志消息要求更换电池，请联系安讯士支持部门。

3.0 V 纽扣锂电池内含 1,2-二甲氧基乙烷；乙二醇二甲醚 (EGDME)，CAS 编号为 110-71-4。



## 半球罩

### 注意

- 小心不要划伤、损坏或在半球罩上留下指纹，因为这可能会降低图像质量。如果可能，请保留半球罩上的保护塑料，直至安装完成。
- 请勿清洁看起来干净的半球罩，也不要对表面进行抛光。过度清洁可能会损坏表面。
- 对于半球罩的一般清洁，建议将无腐蚀性、不含溶剂的中性肥皂或洗涤剂与纯水混合，并使用柔软、干净的布进行清洁。用温水冲洗干净。用一块柔软干净的布擦干，以避免留下水渍。
- 切勿使用带有刺鼻气味的洗涤剂、汽油、苯、丙酮或类似化学品。
- 避免在阳光直射或高温下清洁半球罩。
- 确保在操作模式下连接半球，否则可能会影响对焦。



## 安装指南

本安装指南说明了如何在网络上安装以下一款网络摄像机：

- AXIS Q6042 Mk II PTZ 球型网络摄像机
- AXIS Q6044 PTZ 球型网络摄像机
- AXIS Q6045 Mk II PTZ 球型网络摄像机

有关使用该产品的其他信息，请参见用户手册，网址：[www.axis.com](http://www.axis.com)

## 安装步骤

1. 确保安装必需的包装内容、工具和其它材料井然有序。参见 [第147页](#)。
2. 研究硬件概述。参见 [第148页](#)。
3. 研究规格。参见 [第154页](#)。
4. 安装硬件。参见 [第155页](#)。
5. 访问产品。参见 [第162页](#)。

## 包装内容

- 网络摄像机
  - AXIS Q6042 Mk II PTZ 球型网络摄像机或
  - AXIS Q6044 PTZ 球型网络摄像机或
  - AXIS Q6045 Mk II PTZ 球型网络摄像机
- 透明型球型罩（预安装）
- 烟雾型透明球型罩
- 天花板和吊顶安装套件
- Axis PoE+ PoE 模块，1 个端口 (LPS)
- 印刷资料
  - 安装指南（本文档）
  - 吊顶安装支架的钻孔样板
  - 随附的序列号标签(2x)
  - AVHS 身份认证密钥

ZH

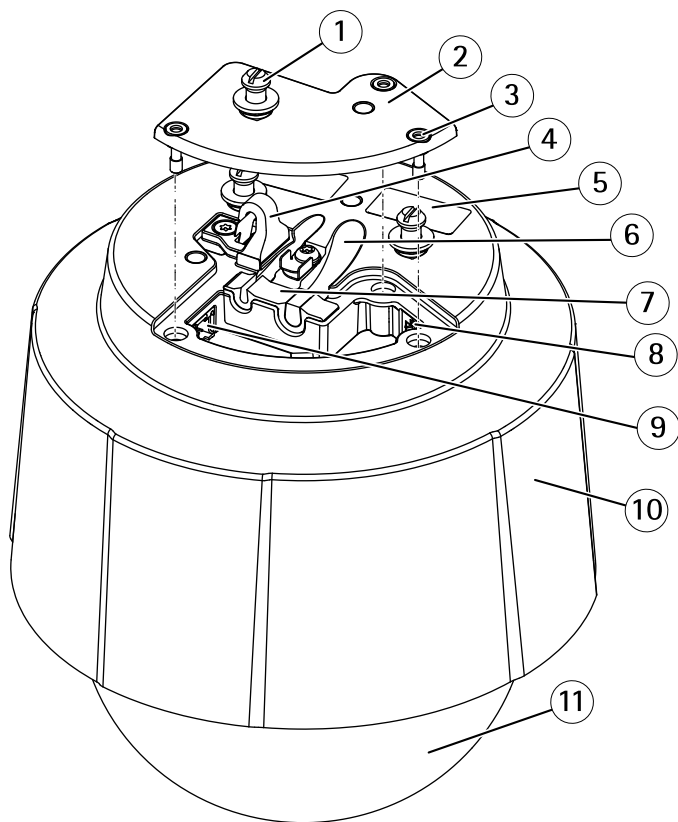
## 可选附件

欲查看本产品可用附件的完整列表，请转到 [axis.com](http://axis.com) 上的产品页并选择“软件和附件”。

## 硬件概览

### 注意

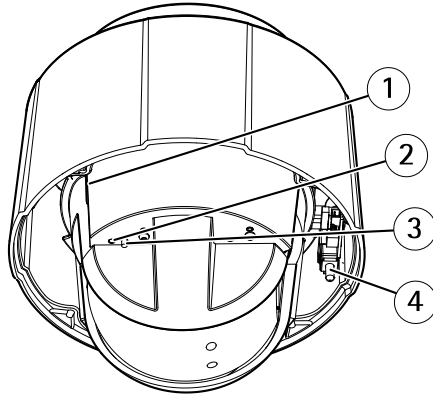
确保球型罩安装在运行模式下，否则可能影响对焦。



- 1 单元固定装置 (3x)
- 2 摄像机底盖
- 3 摄像机底盖螺丝 T20 (3x)
- 4 保险丝挂钩
- 5 零件编号 (P/N) 和序列号 (S/N)
- 6 线缆槽 (2x)
- 7 泡沫密封垫
- 8 网络接口 (PoE+)
- 9 多接头
- 10 顶盖
- 11 顶盖

11 球型罩

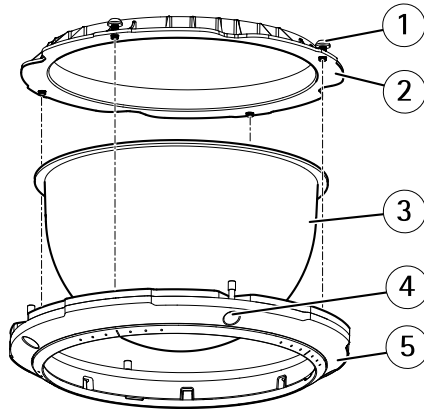
摄像机单元



- 1 SD 卡插槽
- 2 LED 状态指示灯
- 3 控制按钮
- 4 电源按钮

ZH

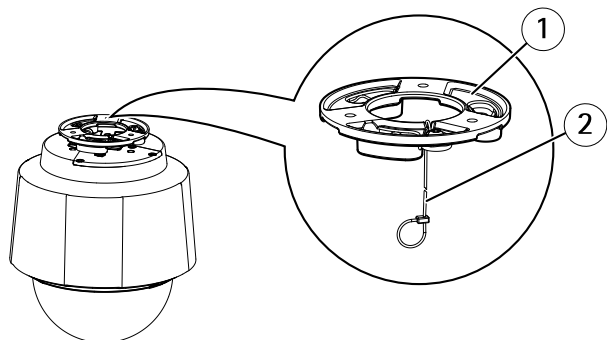
球型罩



- 1 球型支架螺丝 T20 (4x)
- 2 球型支架

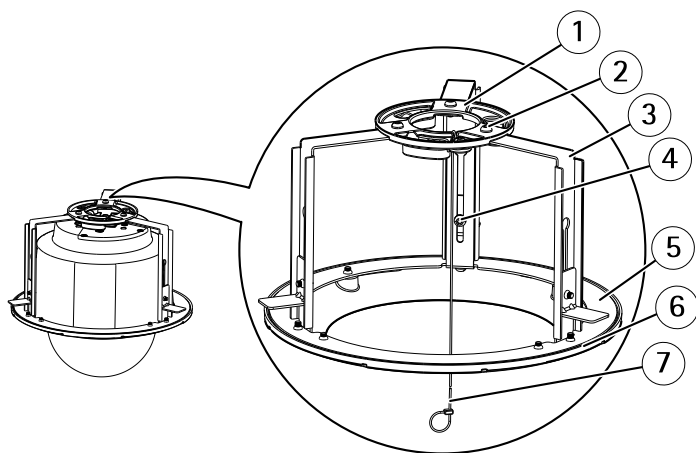
- 3 球型罩
- 4 球型环螺丝 T20 (4x)
- 5 球型环

## 硬天花板安装支架



- 1 安装板
- 2 保险丝

## 吊顶安装支架



- 1 安装板
- 2 安装板螺丝 T20 (3x)
- 3 托架臂

- 4 托架臂螺丝 T20 (3x) 和垫圈 (3x)
- 5 支架环
- 6 装饰环
- 7 保险丝

## LED 指示灯

LED 状态指示灯	指示
不亮	连接和正常工作。
绿色	启动完成后，将显示稳定的绿色 10 秒，以表示正常工作。
橙色	在启动期间稳定。在固件升级过程中或重置为出厂默认值时闪烁。
橙色/红色	如果网络连接不可用或丢失，则呈橙色/红色闪烁。
红色	固件升级失败。

## 连接器和按钮

具体规格和工作条件，请参见第154页。

ZH

### 网络连接器

采用以太网供电 增强版 (PoE+) 的 RJ45 以太网连接器。

#### 注意

使用提供的中跨。

#### 注意

该产品应使用屏蔽网络电缆 (STP) 进行连接。将产品连接到网络的电缆应专用于其特定用途。确保根据制造商的说明安装网络设备。有关法规要求的信息，请参见 *Electromagnetic compatibility (EMC) on page 4*。

### I/O 和音频接口

端子接口用于连接外部设备：

- 音频设备
- 输入和输出 (I/O) 设备

连接外部设备时，需要安讯士多接头线缆以保持产品的 IP 等级。更多信息请参见 *安讯士多接头线缆* 在第152页。

## SD 卡插槽

### 注意

- 损坏 SD 卡的风险。插入或取出 SD 卡时，请勿使用锋利的工具、金属物体或过大力气。使用手指插入和取出该卡。
- 数据丢失和录制内容损坏的风险。产品正在运行时，请勿取出 SD 卡。在取出 SD 卡之前，请先从产品的网页上卸载 SD 卡。

本产品支持 SD/SDHC/SDXC 卡。

有关 SD 卡的建议，请参见 [axis.com](http://axis.com)。

## 控制按钮

有关控制按钮的位置，请参见。

控制按钮用于：

- 将产品重置为出厂默认设置。请参见第162页。
- 连接至安讯士视频托管系统服务。要查找更多关于此服务的信息，请参见 [axis.com](http://axis.com)

## 电源按钮

按住电源按钮，以在取下半球罩时暂时为产品供电。电源按钮还可与控制按钮结合使用，以将摄像机重置为出厂默认设置。请参见第162页。

## 安讯士多接头线缆

将外部设备连接至该安讯士产品时，需要安讯士多接头线缆以保持产品的 IP 等级。该安讯士多接头线缆可向您的安讯士经销商购买。如欲定位该多接头线缆，请参见 [硬件概览](#) 在第148页。

该多接头线缆可以提供以下接口：

**电源接口** – 3 针接线端子用于电源输入。使用符合安全超低压 (SELV) 规定，且额定输出功率  $\leq 100\text{ W}$  或额定输出电流  $\leq 5\text{ A}$  的有限电源 (LPS)。

**音频输入端口 (粉红色)** – 3.5 毫米单声道麦克风输入接口，或一条线路输入单声道信号 (左声道用于立体声信号)。

**音频输出端口 (绿色)** – 3.5 毫米音频输出 (线路电平)，可连接到公共广播 (PA) 系统或带有内置放大器的有源扬声器。必须使用立体声接口进行音频输出。

**I/O 端子接口** – 与外部设备联合使用，例如：用于面向防篡改告警、移动探测、事件触发、延时录像及报警通知的应用。除了 0 V 直流参考点和电源 (直流输出)，I/O 接口还提供以下接口：



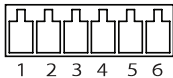
- 数字输出一用于连接外部设备，如继电器和 LED 灯。已连接设备可通过 VAPIX® 应用编程接口（API）、Live View（实时视图）页面上的输出按钮或 Action Rule（操作规则）激活。当警报设备被激活后，该输出接口将显示为激活（显示在 **系统选项 > 端口和设备 > 端口状态**下）。
- 数字输入—用于连接设备的报警输入，可在开放和闭合线路间切换，例如：PIR、门/窗触点以及玻璃破碎探测器等。当接收到信号时，状态发生变化，而且输入接口变成激活状态（显示在 **系统选项 > 端口和设备 > 端口状态**下）。

功能	引脚	注释	规格
0 V DC (-)	1		
DC 输出	2	可用于为辅助设备供电。 注：此针仅可用作电源输出。	3.3 V DC 最大负载 =250 mA
可配置（输入或输出）	3-6	数字输入— 连接到引脚 1 以启用或断开连接（未连接）以停用。	0 至最大 40 V DC
		数字输出— 启用后连接至引脚 1，停用后断开连接（未连接）。如果与继电器等电感负载一起使用，必须将二极管与负载并联，以防止电压瞬变。	0 至最大 40 V DC 开漏，100 mA

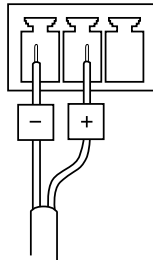
ZH

如欲获取示例图表，请参见 [连接图](#) 在第 155 页。

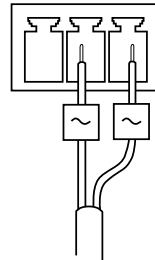
I/O 接口



DC 电源输入



AC 电源输入



## 规格

### 工作条件

该安讯士产品为室内使用而设计。

产品	分类	温度	湿度
AXIS Q6042 Mk II AXIS Q6044 AXIS Q6045 Mk II	IEC 60721-4-3 Class 3K3、3M3 IEC 60529 IP52	0 ° C 至 50 ° C (32 ° F 至 122 ° F)	10-85% 相对湿度 (无冷凝)

### 存放条件

产品	温度
AXIS Q6042 Mk II AXIS Q6044 AXIS Q6045 Mk II	-40 ° C 至 60 ° C ( -40 ° F 至 140 ° F )

### 功耗

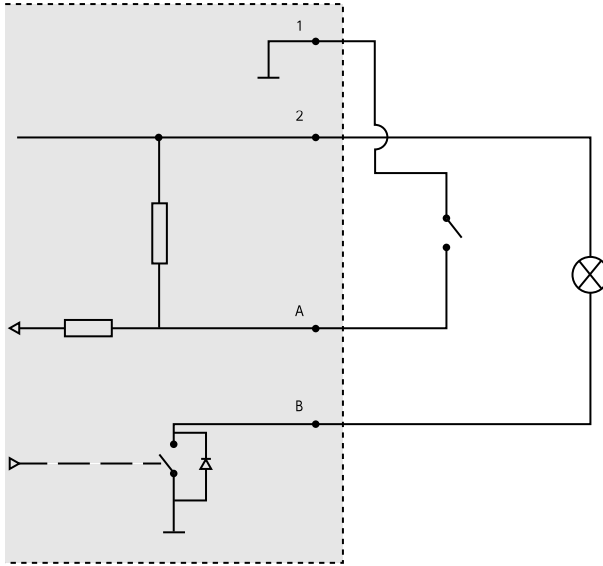
#### 注意

使用符合安全超低压 ( SELV ) 规定, 且额定输出功率  $\leq 100\text{ W}$  或额定输出电流  $\leq 5\text{ A}$  的有限电源 ( LPS )。安讯士推荐使用提供的 PoE 模块。

产品	Axis PoE+ PoE 模块 (含)	DC	AC
AXIS Q6042 Mk II	100-240 V AC, 最大功率 37 W, 典型功率 12.3 W	24-34 V DC, 最大功率 19 W	20-24 V AC, 最大功率 27 VA
AXIS Q6044	100-240 V AC, 最大功率 37 W	24-34 V DC, 最大功率 17.9 W	20-24 V AC, 最大功率 25.9 VA
AXIS Q6045 Mk II	100-240 V AC, 最大功率 37 W	24-34 V DC, 最大功率 19 W	20-24 V AC, 最大功率 27 VA

## 连接图

### I/O 接口



- 1 0 V DC (-)
- 2 DC 输出 3.3 V, 最大 250 mA
- A I/O 配置为输入
- B I/O 配置为输出

## 安装硬件

请在安装产品前阅读说明。有几项安装步骤要求移去球型罩，因此，建议同时完成这几项步骤。

### 注意

- 根据当地法规或使用产品所在的环境与电力条件，可能需要使用屏蔽网线 (STP)。连接产品与网络的线缆以及伸展到户外或苛刻电力环境中的线缆必须使用专用线缆。确保网络设备按照制造商的说明进行安装。有关监管要求的信息，请参见 *Regulatory information on page 4*。
- 安装产品，球型罩朝下。
- 切勿刮伤或损坏球型罩或在球型罩上留下指纹，因为这样会降低图像质量。请尽可能地将防护塑料保留在球型罩上，直至安装完成。

## 更换球型罩（可选）

在以下情况下可更换预装的透明球型罩：您希望使用烟雾型球型罩，或球型罩被刮伤或损坏。备用的球型罩可通过您的安讯士经销商购买。

有关组件的位置信息，请参见 *硬件概览* 在第148页。

1. 松开球型环螺丝，并移去球型罩。
2. 从球型环中卸下球型支架螺丝、球型支架和球型罩。
3. 将球型支架和球型罩安装至球型环，并拧紧螺丝（扭矩1.2 纳米）。
4. 如欲安装 SD 卡，请参见 *如何安装 SD 卡（可选）* 在第156页。
5. 将球型罩安装到顶盖上，并拧紧螺丝（扭矩 1.5 纳米）。

## 如何安装 SD 卡（可选）

安装 SD 卡是可选的。标准或大容量 SD 卡（不包括）可用于在产品中本地存储录制内容。

1. 松开半球环螺丝，然后取下半球罩。
2. 将 SD 卡插入 SD 卡插槽。
3. 将半球罩连接到顶盖，然后拧紧螺丝（扭矩 1.5 Nm）。

## 如何安装摄像机

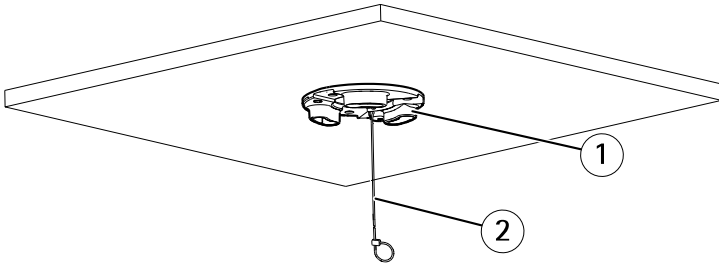
可将线缆穿过或沿墙壁/天花板布置，安装该安讯士产品。

选择下列一种方式安装您的摄像机：

- *使用硬天花板安装支架安装摄像机 在第156页。*
- *使用吊顶安装支架安装摄像机 在第158页。*
- *使用安装支架安装摄像机 在第160页。*

### 使用硬天花板安装支架安装摄像机

1. 为安装安装板对天花板实施前期准备工作。将安装板用作模板确定孔位。确定使用与材料相匹配的钻头、螺丝、螺丝插头。
2. 安装安装板。安装板上的箭头将于摄像机上的标识对齐。

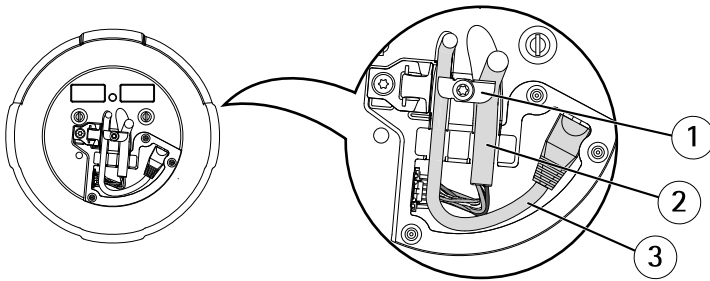


- 1 安装板
- 2 保险丝

3. 松开摄像机底盖螺丝，并移去摄像机底盖。
4. 确保摄像机使用所提供的保险丝。
5. 将网线及（如使用）多接头线缆连接到摄像机上。

**注意**

- 连接线缆时注意不要损坏线缆。
- 确保泡沫垫圈孔对其线缆槽。使用多接头线缆时，将多接头线缆的切割部件从泡沫垫圈上移除。



- 1 线缆支架
- 2 多接头线缆
- 3 网线

6. 旋转线缆支架，使线缆固定。
7. 将摄像机底盖放回其原有位置，并拧紧螺丝（扭矩为 1.5 纳米）。
8. 将网络摄像机的单元固定装置推入安装板中的插槽，并拧动摄像机单元。
9. 安装随附的 PoE 模块时请参考 PoE 模块随附的安装指南，或访问 [www.axis.com](http://www.axis.com) 查找安装指南。

### 使用吊顶安装支架安装摄像机

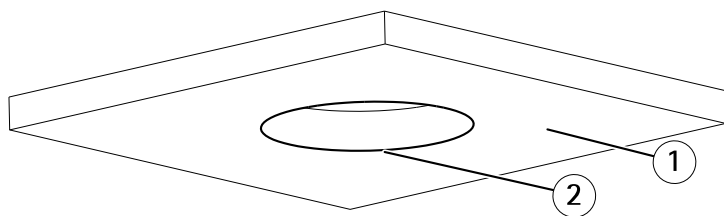
#### 警告

摄像机和天花板的重量合计约 3200 克（7.1 磅）。请确保天花板材质足够坚固，能够支持上述重量。

#### 注意

天花板的厚度范围应该为 5–60 毫米 (3/16–2 3/8 英寸)。

1. 拆下拟在其中安装吊顶安装支架的天花板。
2. 在天花板中开一个孔，用于安装吊顶。利用提供的模板来标记位置，并沿模板边缘进行切割。

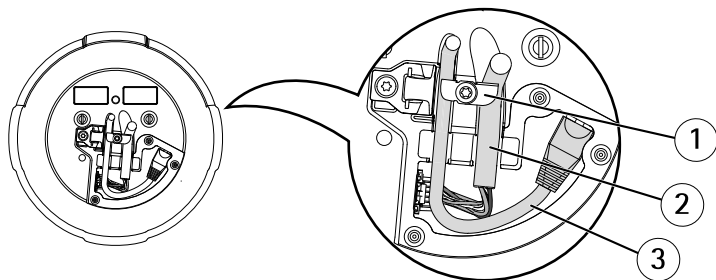


- 1 天花板
- 2 孔径为 225 毫米 (8 7/8 英寸)

3. 组装吊顶支架，并将其连接至天花板。确保安装板和吊顶支架上的箭头指向摄像机上标识的同一个方向，且装饰环排成一行。
4. 拧紧支架臂螺丝。
5. 松开摄像机底盖螺丝，并移去摄像机底盖。
6. 将网线及（如使用）多接头线缆连接到摄像机上。

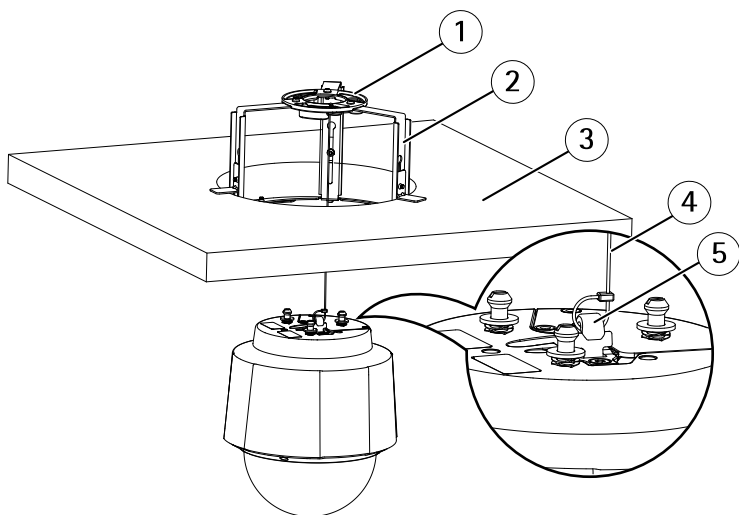
#### 注意

- 连接线缆时注意不要损坏线缆。
- 确保泡沫垫圈孔对其线缆槽。使用多接头线缆时，将多接头线缆的切割部件从泡沫垫圈上移除。



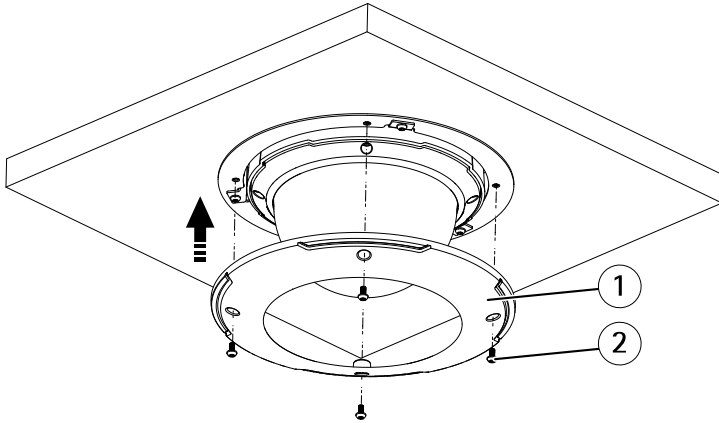
- 1 线缆支架
- 2 多接头线缆
- 3 网线

7. 旋转线缆支架，使线缆固定。
8. 将摄像机底盖放回其原有位置，并拧紧螺丝（扭矩为 1.5 纳米）。
9. 确保摄像机使用所提供的保险丝。



- 1 安装板
- 2 天花板支架
- 3 天花板
- 4 保险丝
- 5 保险丝挂钩

10. 将网络摄像机的单元固定装置推入安装板中的插槽，并拧动摄像机单元。
11. 安装随附的 PoE 模块时请参考 PoE 模块随附的安装指南，或访问 [www.axis.com](http://www.axis.com) 查找安装指南。
12. 将天花板与安装在天花板上的摄像机安装在一起。
13. 将装饰环放到吊顶支架上，并拧紧螺丝。

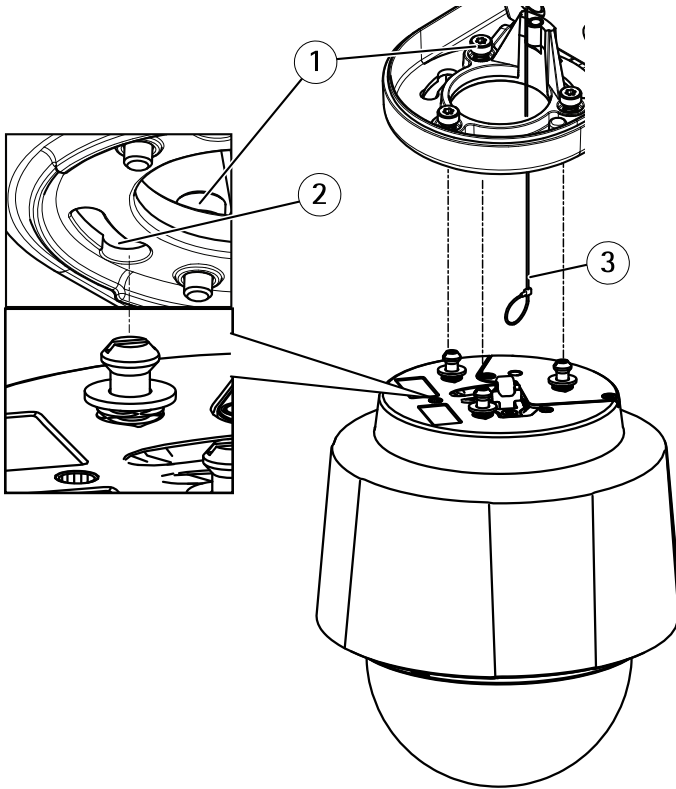


- 1 装饰环
- 2 装饰环螺丝 T20 (4x)

### 使用安装支架安装摄像机

1. 根据支架随附的说明选择安装支架。如需要钻孔，请确定使用与材料相匹配的钻头、螺丝和螺丝插头。
2. 松开摄像机底盖螺丝，并移去摄像机底盖。
3. 将网线和（如使用）多接头线缆穿过安装支架中的孔。
4. 确保摄像机使用所提供的保险丝。





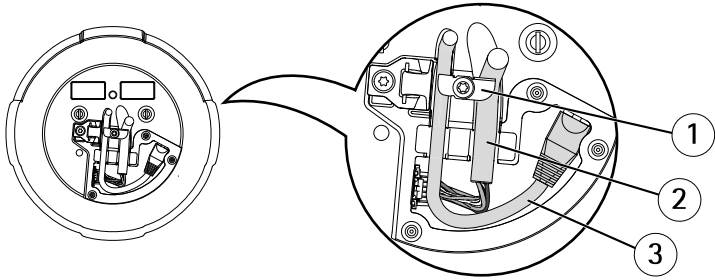
- 1 螺丝 T30 (3x)
- 2 单元固定装置插槽 (3x)
- 3 保险丝

5. 将网线及（如使用）多接头线缆连接到摄像机上。

**注意**

- 连接线缆时注意不要损坏线缆。
- 确保泡沫垫圈孔对其线缆槽。使用多接头线缆时，将多接头线缆的切割部件从泡沫垫圈上移除。

ZH



- 1 线缆支架
- 2 多接头线缆
- 3 网线

6. 旋转线缆支架，使线缆固定。
7. 将摄像机底盖放回其原有位置，并拧紧螺丝（扭矩为 1.5 纳米）。
8. 将网络摄像机的单元固定装置推入安装支架中的插槽，并旋转摄像机单元。
9. 拧紧螺丝，将网络摄像机固定至安装支架。
10. 安装随附的 PoE 模块时请参考 PoE 模块随附的安装指南，或访问 [www.axis.com](http://www.axis.com) 查找安装指南。

## 如何访问产品

若要在网络中查找安讯士设备并为它们分配 Windows® 中的 IP 地址，请使用 AXIS IP Utility 或 AXIS 设备管理器。这两种应用程序都是免费的，可以从 [axis.com/support](http://axis.com/support) 上进行下载

有关使用产品的更多信息，请参阅 [axis.com](http://axis.com) 上提供的用户手册

## 重置为出厂默认设置

## 更多信息

- 若要获取本文档的新版本，请参见 [axis.com](http://axis.com)
- 用户手册可从 [axis.com](http://axis.com) 获取
- 要检查是否有设备的可用更新固件，请参见 [axis.com/support](http://axis.com/support)
- 如需有用的在线培训和在线研讨会，请参见 [axis.com/academy](http://axis.com/academy)

## 质保信息

有关安讯士产品质保的信息及相关信息，请转到 [axis.com/warranty](https://axis.com/warranty)。

Installation Guide

AXIS Q60 Series

© 2014 - 2021 Axis Communications AB

Ver. M6.2

Date: May 2021

Part No. 1485659