

AXIS P1367 Network Camera

Installation Guide

English	EN
---------	----

France: Français	FR
------------------	----

Deutschland: Deutsch	DE
----------------------	----

Italia: Italiano	IT
------------------	----

España: Español	ES
-----------------	----

日本: 日本語	JA
---------	----

中文: 简体中文	ZH
----------	----

Read this first

Read through this Installation Guide carefully before installing the product. Keep the Installation Guide for future reference.

Legal considerations

Video and audio surveillance can be regulated by laws that vary from country to country. Check the laws in your local region before using this product for surveillance purposes.

This product includes the following licences:

- one (1) AAC decoder license
- one (1) H.264 decoder license

To purchase further licenses, contact your reseller.

Liability

Every care has been taken in the preparation of this document. Please inform your local Axis office of any inaccuracies or omissions. Axis Communications AB cannot be held responsible for any technical or typographical errors and reserves the right to make changes to the product and manuals without prior notice. Axis Communications AB makes no warranty of any kind with regard to the material contained within this document, including, but not limited to, the implied warranties of merchantability and fitness for a particular purpose. Axis Communications AB shall not be liable nor responsible for incidental or consequential damages in connection with the furnishing, performance or use of this material. This product is only to be used for its intended purpose.

Intellectual property rights

Axis AB has intellectual property rights relating to technology embodied in the product described in this document. In particular, and without limitation, these intellectual property rights may include one or more of the patents listed at www.axis.com/patent.htm and one or more additional patents or pending patent applications in the US and other countries.

This product contains licensed third-party software. See the menu item "About" in the product's user interface for more information.

This product contains source code copyright Apple Computer, Inc., under the terms of Apple Public Source License 2.0 (see www.opensource.apple.com/aps/). The source code is available from <https://developer.apple.com/bonjour/>

Equipment modifications

This equipment must be installed and used in strict accordance with the instructions given in the user documentation. This equipment contains no user-serviceable components. Unauthorized equipment changes or modifications will invalidate all applicable regulatory certifications and approvals.

Trademark acknowledgments

AXIS COMMUNICATIONS, AXIS and VAPIX are registered trademarks or trademark applications of Axis AB in various jurisdictions. All other company names and products are trademarks or registered trademarks of their respective companies.

Apple, Boa, Apache, Bonjour, Ethernet, Internet Explorer, Linux, Microsoft, Mozilla, Real, SMPTE, QuickTime, UNIX, Windows, Windows Vista and WWW are registered trademarks of the respective holders. Java and all Java-based trademarks and logos are trademarks or registered trademarks of Oracle and/or its affiliates. UPnP™ is a certification mark of the UPnP™ Implementers Corporation.

SD, SDHC and SDXC are trademarks or registered trademarks of SD-3C, LLC in the United States, other countries or both. Also, miniSD, microSD, miniSDHC, microSDHC, microSDXC are all trademarks or registered trademarks of SD-3C, LLC in the United States, other countries or both.

Regulatory information

Europe



This product complies with the applicable CE marking directives and harmonized standards:

- Electromagnetic Compatibility (EMC) Directive 2014/30/EU. See *Electromagnetic compatibility (EMC) 4*.
- Low Voltage (LVD) Directive 2014/35/EU. See *Safety 5*.
- Restrictions of Hazardous Substances (RoHS) Directive 2011/65/EU. See *Disposal and recycling 5*.

A copy of the original declaration of conformity may be obtained from Axis Communications AB. See *Contact information 5*.

Electromagnetic compatibility (EMC)

This equipment has been designed and tested to fulfill applicable standards for:

- Radio frequency emission when installed according to the instructions and used in its intended environment.
- Immunity to electrical and electromagnetic phenomena when installed according to the instructions and used in its intended environment.

USA

This equipment has been tested using an unshielded network cable (UTP) and found to comply with the limits for a Class A digital device, pursuant to part 15 of the FCC rules. This equipment has also been tested using a shielded network cable (STP) and found to comply with the limits for a Class A digital device, pursuant to part 15 of the FCC rules. These limits are designed to provide reasonable protection against harmful interference when the equipment is operated in a commercial environment. This equipment generates, uses, and can radiate radio frequency energy and, if not installed and used in accordance with the instruction manual, may cause harmful interference to radio communications. Operation of this equipment in a residential area is likely to cause harmful interference in which case the user will be required to correct the interference at his own expense.

Canada

This digital apparatus complies with CAN ICES-3 (Class A). The product shall be connected using a shielded network cable (STP) that is properly grounded. Cet appareil numérique est conforme à la norme NMB ICES-3 (classe A). Le produit doit être connecté à l'aide d'un câble réseau blindé (STP) qui est correctement mis à la terre.

Europe

This digital equipment fulfills the requirements for RF emission according to the Class A limit of EN 55032. The product shall be connected using a shielded network cable (STP) that is properly grounded. Notice! This is a Class A product. In a domestic environment this product may cause RF interference, in which case the user may be required to take adequate measures.

This product fulfills the requirements for immunity according to EN 61000-6-1 residential, commercial and light-industrial environments.

This product fulfills the requirements for immunity according to EN 61000-6-2 industrial environments.

This product fulfills the requirements for immunity according to EN 55024 office and commercial environments.

Australia/New Zealand

This digital equipment fulfills the requirements for RF emission according to the Class A limit of AS/NZS CISPR 32. The product shall be connected using a shielded network cable (STP) that is properly grounded. Notice! This is a Class A product. In a domestic environment this product may cause RF interference, in which case the user may be required to take adequate measures.

Japan

この装置は、クラスA 情報技術装置です。この装置を家庭環境で使用すると電波妨害を引き起こすことがあります。この場合には使用者が適切な対策を講ずるよう要求されることがあります。本製品は、シールドネットワークケーブル(STP)を使用して接続してください。また適切に接地してください。

Korea

이 기기는 업무용(A급) 전자파적합기기로서 판매자 또는 사용자는 이 점을 주의하시기 바라며, 가정외의 지역에서 사용하는 것을 목적으로 합니다. 적절히 접지된 STP (shielded twisted pair) 케이블을 사용하여 제품을 연결하십시오.

Safety

This product complies with IEC/EN/UL 62368-1, safety of audio/video and IT equipment.

If its connecting cables are routed outdoors, the product shall be grounded either through a shielded network cable (STP) or other appropriate method.

The power supply used with this product shall fulfill the requirements for Safety Extra Low Voltage (SELV) according to clause 2.2 of IEC/UL 60950-1 and Limited Power Source (LPS) according to clause 2.5 of IEC/UL 60950-1 or CEC/NEC Class 2 source of supply as defined in the Canadian Electrical Code, CSA C22.1 and National Electrical Code, ANSI/NFPA 70.

Disposal and recycling

When this product has reached the end of its useful life, dispose of it according to local laws and regulations. For information about your nearest designated collection point, contact your local authority responsible for waste disposal. In accordance with local legislation, penalties may be applicable for incorrect disposal of this waste.

Europe



This symbol means that the product shall not be disposed of together with household or commercial waste. Directive 2012/19/EU on waste electrical and electronic equipment (WEEE) is applicable in the European Union member states. To prevent potential harm to human health and the environment, the product must be disposed of in an approved and environmentally safe recycling process. For information about your nearest designated collection point, contact your local authority responsible for waste disposal. Businesses should contact the product supplier for information about how to dispose of this product correctly.

This product complies with the requirements of Directive 2011/65/EU on the restriction of the use of certain hazardous substances in electrical and electronic equipment (RoHS).

China



This product complies with the requirements of SJ/T 11364-2014, Marking for the restriction of hazardous substances in electrical and electronic products.

有毒有害物质或元素						
部件名称	铅 (Pb)	汞 (Hg)	镉 (Cd)	六价铬 (Cr-VI)	多溴联苯 (PB-B)	多溴二苯醚 (PB-DE)
电气实装部分	X	0	0	0	0	0
<p>0: 表示该有毒有害物质在该部件所有均质材料中的含量均在GB/T 26572标准规定的限量要求以下。</p> <p>X: 表示该有毒有害物质至少在该部件的某一均质材料中的含量超出GB/T 26572标准规定的限量要求。</p>						

Contact information

Axis Communications AB
Emdalavägen 14
223 69 Lund
Sweden
Tel: +46 46 272 18 00
Fax: +46 46 13 61 30
www.axis.com

Warranty information

For information about Axis' product warranty and thereto related information, go to www.axis.com/warranty/

Support

Should you require any technical assistance, please contact your Axis reseller. If your questions cannot be answered immediately, your reseller will forward your queries through the appropriate channels to ensure a rapid response. If you are connected to the Internet, you can:

- download user documentation and software updates
- find answers to resolved problems in the FAQ database. Search by product, category, or phrase
- report problems to Axis support staff by logging in to your private support area
- chat with Axis support staff
- visit Axis Support at www.axis.com/support

Learn more!

Visit Axis learning center www.axis.com/academy/ for useful trainings, webinars, tutorials and guides.

Package contents	11
Product overview	12
How to install the product	13
Install the hardware	13
How to install a lock to the security slot	13
How to access the product	14
How to adjust focus and zoom	14
How to adjust focus with the Focus Assistant	15
How to reset to factory default settings	16
How to reset to factory default settings	16
Further information	17
Optional accessories	17
Technical specifications	18
SD card slot	19
Buttons	19
Connectors	19
Operating conditions	22
Power consumption	23
Safety information	25
Hazard levels	25
Other message levels	25
Safety instructions	26
Transportation	26
Battery	26
Contenu de l'emballage	29
Vue d'ensemble du produit	30
Comment installer le produit	31
Installation du matériel	31
Installation d'un verrou dans la fente de sécurité	31
Comment accéder au produit	32
Réglage de la mise au point et du zoom	32
Réglage de la mise au point avec l'assistant de mise au point	33
Comment réinitialiser les paramètres par défaut	35
Comment restaurer les paramètres par défaut	35
Informations complémentaires	36
Accessoires en option	36
Caractéristiques techniques	37
Emplacement pour carte SD	38
Boutons	38
Connecteurs	38
Conditions d'utilisation	42
Consommation électrique	42
Informations sur la sécurité	43

Niveaux de risques	43
Autres niveaux de message	43
Consignes de sécurité	44
Transport	44
Batterie	44
Lieferumfang	47
Produktübersicht	48
Installieren des Produkts	49
Installieren der Hardware	49
Anbringen einer Verriegelung am Sicherheitsschlitze	49
Zugriff auf das Produkt	50
Einstellen von Fokus und Zoom	50
Einstellen des Fokus mit dem Fokus-Assistenten	51
Zurücksetzen auf die werksseitigen Standardeinstellungen	52
Zurücksetzen auf die werksseitigen Standardeinstellungen	52
Weitere Informationen	53
Optionales Zubehör	53
Technische Daten	54
SD-Karteneinschub	55
Tasten	55
Anschlüsse	55
Betriebsbedingungen	59
Leistungsaufnahme	59
Sicherheitsinformationen	61
Gefährdungsstufen	61
Weitere Nachrichtenstufen	61
Sicherheitsanweisungen	62
Transport	62
Batterie	62
Contenuto della confezione	65
Panoramica del dispositivo	66
Come installare il dispositivo	67
Installazione dell'hardware	67
Modalità di installazione di un blocco allo slot di sicurezza	67
Come accedere al dispositivo	68
Modalità di regolazione della messa a fuoco e dello zoom	68
Modalità di regolazione della messa a fuoco con l'Assistente di messa a fuoco	69
Modalità di ripristino dei valori predefiniti di fabbrica	70
Modalità di ripristino dei valori predefiniti di fabbrica	70
Ulteriori Informazioni	71
Accessori opzionali	71
Specifiche tecniche	72
Slot per scheda SD	73

Pulsanti	73
Connettori	73
Condizioni di funzionamento	76
Consumo energetico	77
Informazioni di sicurezza	79
Livelli di pericolo	79
Altri livelli di messaggio	79
Informazioni di sicurezza	80
Trasporto	80
Batteria	80
Contenido del paquete	83
Información general del producto	84
Cómo instalar el producto	85
Instalación del hardware	85
Cómo instalar un bloqueo en la ranura de seguridad	85
Cómo acceder al producto	86
Cómo ajustar el enfoque y el zoom	86
Cómo ajustar el enfoque con el Asistente de enfoque	87
Cómo restablecer la configuración predeterminada de fábrica	88
Cómo restablecer los ajustes predeterminados de fábrica	88
Más información	89
Accesorios opcionales	89
Especificaciones técnicas	90
Ranura para tarjetas SD	91
Botones	91
Conectores	91
Condiciones de funcionamiento	94
Consumo de energía	95
Información de seguridad	97
Niveles de peligro	97
Otros niveles de mensaje	97
Instrucciones de seguridad	98
Transporte	98
Batería	98
パッケージの内容	101
製品の概要	102
製品の取り付け方法	103
ハードウェアの設置	103
セキュリティスロットへのロックの設置方法	103
製品のアクセス方法	104
フォーカスとズームの調整方法	104
フォーカスアシスタントによるフォーカスの調節方法	105
工場出荷時の設定にリセットする方法	106

工場出荷時の設定にリセットする方法	106
関連情報	107
オプションアクセサリ	107
技術仕様	108
SDカードスロット	109
ボタン	109
コネクタ	109
動作条件	113
消費電力	113
安全情報	115
危険レベル	115
その他のメッセージレベル	115
安全手順	116
輸送	116
バッテリー	116
包装内容	119
产品概述	120
如何安装产品	121
安装硬件	121
如果将锁安装到安全锁槽	121
如何访问产品	122
如何调整对焦和变焦	122
如何使用对焦助手调整对焦	123
如何重置为出厂默认设置	124
如何重置为出厂默认设置	124
更多信息	125
可选附件	125
技术规格	126
SD卡插槽	126
按钮	127
接口	127
工作条件	130
功耗	130
安全信息	131
危险等级	131
其他消息等级	131
安全说明	132
运输	132
电池	132

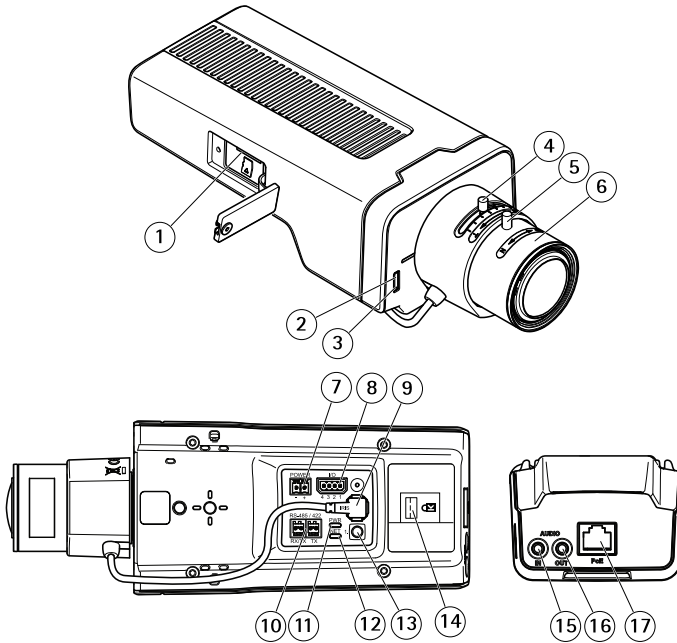
Installation Guide

Package contents

- AXIS P1367
- Connector kit
- Camera stand
- Allen key TR20
- Allen key T6
- Printed materials
 - Installation Guide (this document)
 - Extra serial number label (2x)
 - AVHS Authentication key

AXIS P1367 Network Camera

Product overview



- 1 *microSD card slot*
- 2 *Status LED*
- 3 *Built-in microphone*
- 4 *Zoom puller*
- 5 *Lock screw for focus ring*
- 6 *Focus ring*
- 7 *Power connector (DC)*
- 8 *I/O connector*
- 9 *Iris connector*
- 10 *RS485/422 connector*
- 11 *Power LED*
- 12 *Network LED*
- 13 *Control button*
- 14 *Security slot*
- 15 *Audio in*
- 16 *Audio out*
- 17 *Network connector (PoE)*

How to install the product

Install the hardware

NOTICE

- Due to local regulations or the environmental and electrical conditions in which the product is to be used, a shielded network cable (STP) may be appropriate or required. Any network cables that are routed outdoors or in demanding electrical environments shall be shielded (STP) and intended for their specific use. Make sure that the midspan is properly grounded. For information about regulatory requirements, see *Regulatory information 4*.

Note

- Make sure that the material is strong enough to support the weight of the camera.
 1. Prepare the wall or ceiling for installation of the stand. Use the stand as a template and mark the holes before drilling.
 2. Route the network cable through the wall or ceiling. Leave approximately 30 cm (11.8 in) of cable for connecting the camera.
 3. If connecting an auxiliary device, for example an I/O, audio, or external power device, to the camera, repeat the step above as applicable to the specific device.
 4. Install the stand on the wall or ceiling and make sure that the screws and plugs are appropriate for the material (e.g. wood, metal, sheet rock, stone).
 5. Install the camera on the stand and tighten the tripod screw.
 6. Connect all cables to the camera.
 7. Aim the camera in the right direction and use the supplied Allen key to tighten the ball joint.

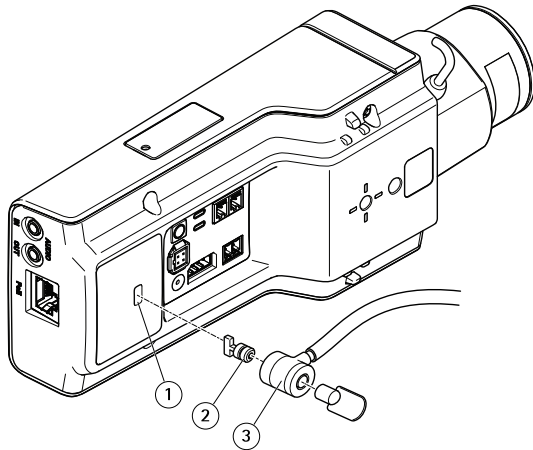
How to install a lock to the security slot

To secure the camera to the stand a lock with a cable could be attached to the security slot of the camera.

To install the lock:

1. Cut a hole in the label covering the security slot.
2. Install the anchor to the security slot.
3. Attach the cable to the stand, then connect the lock head to the anchor.

AXIS P1367 Network Camera



- 1 Security slot
- 2 Anchor
- 3 Lock head

How to access the product

AXIS IP Utility and AXIS Camera Management are recommended methods for finding Axis products on the network and assigning them IP addresses in Windows®. Both applications are free and can be downloaded from www.axis.com/support

The product can be used with the following browsers:

- Chrome™ (recommended), Firefox®, Edge®, or Opera® with Windows®
- Chrome™ (recommended) or Safari® with OS X®
- Chrome™ or Firefox® with other operating systems.

For more information about using the product, see the User Manual available at www.axis.com

How to adjust focus and zoom

If the camera is mounted so that you cannot look at the image and access the lens at the same time, use the Focus Assistant, see *How to adjust focus with the Focus Assistant*.

1. Go to the **Image** tab in the product's webpage.
2. Click **Autofocus**.
3. Loosen the zoom and focus pullers on the lens by turning them counter-clockwise. See *Product overview*.

4. Move the pullers to set zoom and focus and check the quality of the image in the image window.
5. Re-tighten the zoom and focus pullers.
6. Click **Autofocus**.

How to adjust focus with the Focus Assistant

Note

- The view in front of the camera should not be changed during focus adjustment. If the camera is moved, or if a finger or other object is placed in front of the lens, restart the procedure.
- If movements in front of the camera cannot be avoided, the Focus Assistant should not be used.
- If the control button is not released within two seconds, AXIS Internet Dynamic DNS Service is enabled instead of the Focus Assistant. For more information about AXIS Internet Dynamic DNS Service, see www.axis.com.

If the Status LED flashes either red or amber before you are able to adjust the lens, exit the Focus Assistant and restart the procedure. See *Status LED behavior for focus assistant on page 18*.

1. Mount or place the camera so that it cannot be moved.
2. Loosen the zoom puller by turning it anti-clockwise. Move the puller to set the zoom level. Retighten the zoom puller.
3. Set the camera to its extreme distant-focus position by loosening the focus puller and turning the focus ring fully clockwise.
4. Press and quickly release the control button. When the status indicator flashes, the Focus Assistant is enabled.
5. Gently turn the focus ring anti-clockwise until it stops.
6. Turn the focus ring slowly clockwise until the status indicator flashes green.
7. To exit the Focus Assistant, press the control button. If you cannot access the control button, the Focus Assistant switches off automatically after 15 minutes.
8. Re-tighten the focus puller.
9. Go to the **Image** tab in the product's webpage.
10. Click **Autofocus** and follow the instructions from the wizard.

How to reset to factory default settings

How to reset to factory default settings

Important

Reset to factory default should be used with caution. A reset to factory default resets all settings, including the IP address, to the factory default values.

To reset the product to the factory default settings:

1. Disconnect power from the product.
2. Press and hold the control button while reconnecting power. See *Product overview*.
3. Keep the control button pressed for 15–30 seconds until the status LED indicator flashes amber.
4. Release the control button. The process is complete when the status LED indicator turns green. The product has been reset to the factory default settings. If no DHCP server is available on the network, the default IP address is 192.168.0.90
5. Use the installation and management software tools to assign an IP address, set the password, and access the video stream.

The installation and management software tools are available from the support pages on www.axis.com/support

6. Refocus the product.

Further information

- For the latest version of this document, see www.axis.com
- The user manual is available at www.axis.com
- To check if there is updated firmware available for your product, see www.axis.com/support
- For useful online trainings and webinars, see www.axis.com/academy

Optional accessories

For a complete list of available accessories for this product, go to www.axis.com

Technical specifications

To find the latest version of the datasheet, go to www.axis.com > product > Support & Documentation.

LED Indicators

Status LED	Indication
Green	Steady green for normal operation.
Amber	Steady during startup. Flashes when restoring settings.

Network LED	Indication
Green	Steady for connection to a 100 Mbit/s network. Flashes for network activity.
Amber	Steady for connection to a 10 Mbit/s network. Flashes for network activity.
Unlit	No network connection.

Power LED	Indication
Green	Normal operation.
Amber	Flashes green/amber during firmware upgrade.

Status LED behavior for focus assistant

The status LED flashes when the Focus Assistant is active.

Color	Indication
Red	The image is out of focus. Adjust the lens.
Amber	The image is close to focus. The lens needs fine tuning.
Green	The image is in focus.

SD card slot

NOTICE

- Risk of damage to SD card. Do not use sharp tools, metal objects, or excessive force when inserting or removing the SD card. Use your fingers to insert and remove the card.
- Risk of data loss and corrupted recordings. Do not remove the SD card while the product is running. Disconnect power or unmount the SD card from the product's webpage before removal.

This product supports microSD/microSDHC/microSDXC cards (not included).

For SD card recommendations, see www.axis.com

Buttons

Control Button

For location of the control button, see *Product overview on page 12*.

The control button is used for:

- Enabling the Focus Assistant. Press and very quickly release the Control button.
- Resetting the product to factory default settings. See *page 16*.
- Connecting to an AXIS Video Hosting System service or AXIS Internet Dynamic DNS Service. For more information about these services, see www.axis.com.

Connectors

Network connector

RJ45 Ethernet connector with Power over Ethernet (PoE).

NOTICE

Due to local regulations or the environmental and electrical conditions in which the product is to be used, a shielded network cable (STP) may be appropriate or required. All cables connecting the product to the network and that are routed outdoors or in demanding electrical environments shall be intended for their specific use. Make sure that the network devices are installed in accordance with the manufacturer's instructions. For information about regulatory requirements, see *Electromagnetic compatibility (EMC) 4*.

Audio connector

The Axis product has the following audio connectors:

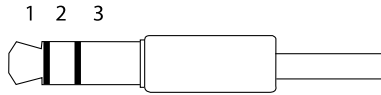
- Audio in (pink) – 3.5 mm input for a mono microphone, or a line-in mono signal.

AXIS P1367 Network Camera

- **Audio out (green)** – 3.5 mm output for audio (line level) that can be connected to a public address (PA) system or an active speaker with a built-in amplifier. A stereo connector must be used for audio out.

For audio in, the left channel is used from a stereo signal.

3.5 mm audio connectors (stereo)



	1 Tip	2 Ring	3 Sleeve
Audio Input	Microphone/Line in		Ground
Audio Output	Line out, mono (stereo connector compatible)	Line out, mono (stereo connector compatible)	Ground

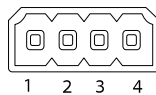
About I/O connectors

Use the I/O connector with external devices in combination with, for example, tampering alarms, motion detection, event triggering, and alarm notifications. In addition to the 0 V DC reference point and power (DC output), the I/O connector provides the interface to:

Digital output – For connecting external devices such as relays and LEDs. Connected devices can be activated by the VAPIX® Application Programming Interface or in the product’s webpage.

Digital input – For connecting devices that can toggle between an open and closed circuit, for example PIR sensors, door/window contacts, and glass break detectors.

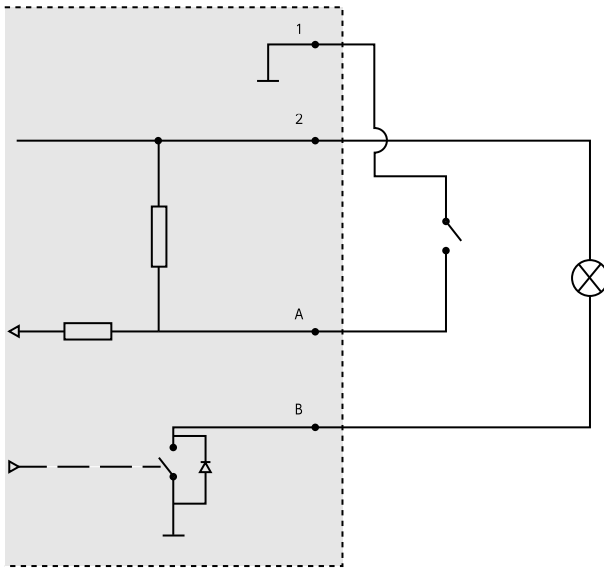
4-pin terminal block



Function	Pin	Notes	Specifications
0 V DC (-)	1	DC ground	0 V DC
DC output	2	Can be used to power auxiliary equipment. Note: This pin can only be used as power out.	12 V DC Max load = 50 mA

Configurable (Input or Output)	3-4	Digital input – Connect to pin 1 to activate, or leave floating (unconnected) to deactivate.	0 to max 30 V DC
		Digital output – Connected to pin 1 when activated, floating (unconnected) when deactivated. If used with an inductive load, e.g. a relay, a diode must be connected in parallel with the load, for protection against voltage transients.	0 to max 30 V DC, open drain, 100 mA

EN

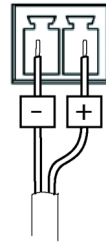


- 1 0 V DC (-)
- 2 DC output 12 V, max 50 mA
- A I/O configured as input
- B I/O configured as output

AXIS P1367 Network Camera

Power connector

2-pin terminal block for DC power input. Use a Safety Extra Low Voltage (SELV) compliant limited power source (LPS) with either a rated output power limited to ≤ 100 W or a rated output current limited to ≤ 5 A.

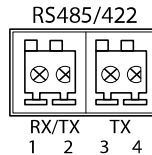


RS485/RS422 connector

Two 2-pin terminal blocks for RS485/RS422 serial interface used to control auxiliary equipment such as pan-tilt devices.

The serial port can be configured to support:

- Two-wire RS485 half duplex
- Four-wire RS485 full duplex
- Two-wire RS422 simplex
- Four-wire RS422 full duplex point to point communication



Function	Pin	Notes
RS485B alt RS485/422 RX(B)	1	RX pair for all modes (combined RX/TX for 2-wire RS485)
RS485A alt RS485/422 RX(A)	2	
RS485/RS422 TX(B)	3	TX pair for RS422 and 4-wire RS485
RS485/RS422 TX(A)	4	

Important

The recommended maximum cable length is 30 m (98 ft).

Operating conditions

The Axis product is intended for indoor use.

Product	Temperature	Humidity
AXIS P1367	0 °C to 50 °C (32 °F to 122 °F)	10–85% RH (non-condensing)

Power consumption

NOTICE

Use a limited power source (LPS) with either a rated output power limited to $\leq 100W$ or a rated output current limited to $\leq 5A$.

Product	Power over Ethernet (PoE) IEEE 802.3af/802.3at Type 1 Class 3	DC, 8–28 V DC
AXIS P1367	Max. 8.9 W Typical 5.0 W	Max. 8.8 W Typical 5.0 W

Safety information

Hazard levels

⚠DANGER

Indicates a hazardous situation which, if not avoided, will result in death or serious injury.

⚠WARNING

Indicates a hazardous situation which, if not avoided, could result in death or serious injury.

⚠CAUTION

Indicates a hazardous situation which, if not avoided, could result in minor or moderate injury.

NOTICE

Indicates a situation which, if not avoided, could result in damage to property.

Other message levels

Important

Indicates significant information which is essential for the product to function correctly.

Note

Indicates useful information which helps in getting the most out of the product.

Safety instructions

▲WARNING

The Axis product shall be installed by a trained professional, and in compliance with local laws and regulations.

NOTICE

- The Axis product shall be used in compliance with local laws and regulations.
- Axis recommends using a shielded network cable (STP) CAT5 or higher.
- To use the Axis product outdoors, or in similar environments, it shall be installed in an approved outdoor housing.
- Store the Axis product in a dry and ventilated environment.
- Avoid exposing the Axis product to shocks or heavy pressure.
- Do not install the product on unstable poles, brackets, surfaces or walls.
- Use only applicable tools when installing the Axis product. Using excessive force with power tools could cause damage to the product.
- Do not use chemicals, caustic agents, or aerosol cleaners.
- Use a clean cloth dampened with pure water for cleaning.
- Use only accessories that comply with the technical specification of your product. These can be provided by Axis or a third party. Axis recommends using Axis power source equipment compatible with your product.
- Use only spare parts provided by or recommended by Axis.
- Do not attempt to repair the product yourself. Contact Axis support or your Axis reseller for service matters.

Transportation

NOTICE

- When transporting the Axis product, use the original packaging or equivalent to prevent damage to the product.

Battery

The Axis product uses a 3.0 V CR2032 lithium battery as the power supply for its internal real-time clock (RTC). Under normal conditions this battery will last for a minimum of five years.

Low battery power affects the operation of the RTC, causing it to reset at every power-up. When the battery needs replacing, a log message will appear in the product's server report. For more information about the server report, see the product's setup pages or contact Axis support.

The battery should not be replaced unless required, but if the battery does need replacing, contact Axis support at www.axis.com/support for assistance.

Lithium coin cell 3.0 V batteries contain 1,2-dimethoxyethane; ethylene glycol dimethyl ether (EGDME), CAS no. 110-71-4.

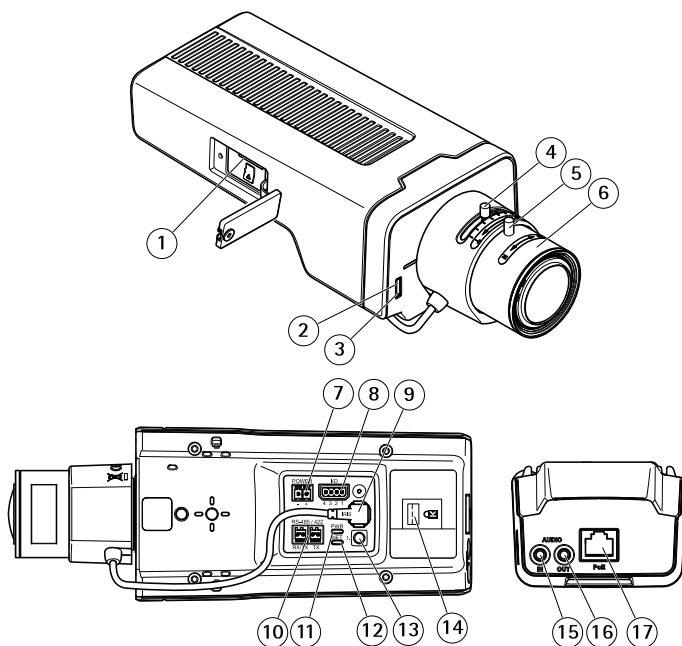
⚠WARNING

- Risk of explosion if the battery is incorrectly replaced.
- Replace only with an identical battery or a battery which is recommended by Axis.
- Dispose of used batteries according to local regulations or the battery manufacturer's instructions.

Contenu de l'emballage

- AXIS P1367
- Kit de connexion
- Support de caméra
- Clé hexagonale TR20
- Clé hexagonale T6
- Documents imprimés
 - Guide d'installation (ce document)
 - Étiquette supplémentaire de numéro de série (x2)
 - Clé d'authentification AVHS

Vue d'ensemble du produit



- 1 Emplacement pour carte microSD
- 2 Voyant d'état
- 3 Microphone intégré
- 4 Commande de zoom
- 5 Vis de verrouillage de la bague de mise au point
- 6 Bague de mise au point
- 7 Connecteur d'alimentation (CC)
- 8 Connecteur d'E/S
- 9 Connecteur du diaphragme
- 10 Connecteur RS485/422
- 11 Voyant d'alimentation
- 12 Voyant réseau
- 13 Bouton de commande
- 14 Fente de sécurité
- 15 Entrée audio
- 16 Sortie audio
- 17 Connecteur réseau (PoE)

Comment installer le produit

Installation du matériel

AVIS

- Les réglementations locales ou les conditions environnementales et électriques dans lesquelles le produit est utilisé peuvent nécessiter l'utilisation d'un câble réseau blindé (STP). Tous les câbles réseau qui sont acheminés à l'extérieur ou dans des environnements électriques exigeants doivent être blindés (STP) et destinés à leur usage spécifique. Assurez-vous que l'injecteur est convenablement mis à la terre. Pour plus d'informations sur les exigences réglementaires, consultez *Regulatory information 4*.

Note

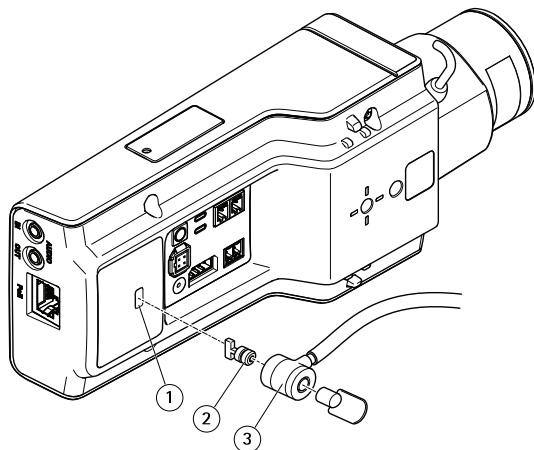
- Assurez-vous que le matériau du plafond est assez solide pour supporter le poids de la caméra.
 1. Préparez le mur ou le plafond pour l'installation du support. Utilisez le support comme gabarit et marquez les trous avant de les percer.
 2. Acheminez le câble réseau à travers le mur ou le plafond. Laissez environ 30 cm (11,8") de câble pour la connexion de la caméra.
 3. Si vous connectez un périphérique auxiliaire (par exemple, un périphérique d'entrée/sortie, audio ou d'alimentation externe) à la caméra, répétez l'étape ci-dessus pour chaque périphérique.
 4. Fixez le support sur un mur ou un plafond et assurez-vous que les vis et les fiches sont adaptées au matériau (p. ex., bois, métal, plaque de plâtre ou pierre).
 5. Installez la caméra sur le support et serrez la vis du trépied.
 6. Connectez tous les câbles à la caméra.
 7. Orientez la caméra dans la bonne direction et serrez le joint sphérique au moyen de la clé hexagonale fournie.

Installation d'un verrou dans la fente de sécurité

Pour fixer la caméra au support, vous pouvez installer un verrou dans la fente de sécurité de l'appareil à l'aide d'un câble.

Pour installer le verrou :

1. Percez l'étiquette qui recouvre la fente de sécurité.
2. Installez l'ancrage dans la fente de sécurité.
3. Fixez le câble au support, puis le raccord à l'ancrage.



- 1 Fente de sécurité
- 2 Ancrage
- 3 Raccord

Comment accéder au produit

Si vous souhaitez rechercher des produits Axis sur le réseau ou leur affecter des adresses IP sous Windows®, nous recommandons l'utilisation des applications AXIS IP Utility et AXIS Camera Management. Ces deux applications sont gratuites et peuvent être téléchargées depuis www.axis.com/support

Le produit peut être utilisé avec les navigateurs suivants :

- Chrome™ (recommandé), Firefox®, Edge® ou Opera® avec Windows®
- Chrome™ (recommandé) ou Safari® avec OS X®
- Chrome™ ou Firefox® avec les autres systèmes d'exploitation.

Pour plus d'informations concernant l'utilisation du produit, consultez le manuel de l'utilisateur disponible sur le site www.axis.com

Réglage de la mise au point et du zoom

Si la caméra est montée de telle sorte qu'il est impossible de regarder l'image et d'accéder à l'objectif en même temps, utilisez l'assistant de mise au point, voir *Réglage de la mise au point avec l'assistant de mise au point*.

1. Accédez à l'onglet Image de la page Web du produit.
2. Cliquez sur **Autofocus (Mise au point automatique)**.

3. Desserrez les commandes de zoom et de mise au point de l'objectif en les tournant dans le sens inverse des aiguilles d'une montre. Cf. *Vue d'ensemble du produit*.
4. Déplacez les commandes pour régler le zoom et la mise au point et vérifiez la qualité de l'image dans la fenêtre correspondante.
5. Resserrez les commandes de zoom et de mise au point.
6. Cliquez sur **Autofocus (Mise au point automatique)**.

Réglage de la mise au point avec l'assistant de mise au point

Note

- La vue en face de la caméra ne doit pas être modifiée lors du réglage de la mise au point. Si la caméra est déplacée ou si un doigt ou un autre objet est placé devant l'objectif, vous devrez recommencer la procédure.
- Si les mouvements devant la caméra ne peuvent pas être évités, l'assistant de mise au point ne doit pas être utilisé.
- Si vous ne relâchez pas le bouton de commande dans les deux secondes, le service AXIS Internet Dynamic DNS est activé au lieu de l'assistant de mise au point. Pour plus d'informations concernant le service AXIS Internet Dynamic DNS, consultez le site www.axis.com.

Si le voyant d'état clignote en rouge ou en orange avant que vous n'ayez pu régler l'objectif, quittez l'assistant et recommencez la procédure. Cf. *Comportement du voyant d'état pour l'assistant de mise au point page 37*.

1. Installez la caméra ou placez-la de façon à ce qu'elle ne puisse pas bouger.
2. Desserrez la commande de zoom en la tournant dans le sens inverse des aiguilles d'une montre. Déplacez la commande pour régler le niveau du zoom. Resserrez la commande de zoom.
3. Réglez la caméra sur sa position de mise au point à distance extrême en desserrant la commande de mise au point et en tournant la bague de mise au point au maximum dans le sens des aiguilles d'une montre.
4. Appuyez sur le bouton de commande et relâchez-le très vite. Lorsque le voyant d'état clignote, l'assistant de mise au point est activé.
5. Tournez délicatement la bague de mise au point dans le sens inverse des aiguilles d'une montre jusqu'à ce qu'elle s'arrête.
6. Tournez lentement la bague de mise au point dans le sens inverse des aiguilles d'une montre jusqu'à ce que l'indicateur d'état clignote en vert.
7. Pour quitter l'assistant de mise au point, appuyez à nouveau sur le bouton de commande. Si vous ne pouvez pas atteindre le bouton de commande, l'assistant de mise au point se désactive automatiquement après 15 minutes.
8. Remettez le dispositif de mise au point en place.
9. Accédez à l'onglet **Image** de la page Web du produit.

AXIS P1367 Network Camera

10. Cliquez sur **Autofocus (Mise au point automatique)** et suivez les instructions de l'assistant.

Comment réinitialiser les paramètres par défaut

Comment restaurer les paramètres par défaut

Important

La restauration des paramètres par défaut doit être effectuée avec prudence. Cette opération reconfigure tous les paramètres, y compris l'adresse IP, aux valeurs d'usine par défaut.

FR

Pour réinitialiser l'appareil aux paramètres d'usine par défaut :

1. Déconnectez l'alimentation de l'appareil.
2. Maintenez le bouton de commande enfoncé en remettant l'appareil sous tension. Cf. *Vue d'ensemble du produit*.
3. Maintenez le bouton de commande enfoncé pendant 15 à 30 secondes, jusqu'à ce que le voyant d'état clignote en orange.
4. Relâchez le bouton de commande. Le processus est terminé lorsque le voyant d'état passe au vert. Les paramètres d'usine par défaut de l'appareil ont été rétablis. En l'absence d'un serveur DHCP sur le réseau, l'adresse IP par défaut est 192.168.0.90.
5. Utilisez les outils d'installation et de gestion pour attribuer une adresse IP, configurer le mot de passe et accéder au flux de données vidéo.
Les logiciels d'installation et de gestion sont disponibles sur les pages d'assistance du site www.axis.com/support.
6. Effectuez une nouvelle mise au point du produit.

Informations complémentaires

- Pour la dernière version de ce document, consultez le site www.axis.com
- Le Manuel de l'utilisateur est disponible à l'adresse suivante : www.axis.com
- Pour vérifier si des mises à jour des logiciels sont disponibles pour votre appareil réseau, consultez le site www.axis.com/techsup.
- Pour en savoir plus sur les formations, les webinaires, les tutoriels et les guides, visitez le site www.axis.com/academy.

Accessoires en option

Pour obtenir la liste complète des accessoires disponibles pour ce produit, consultez www.axis.com

Caractéristiques techniques

Pour obtenir la dernière version de la fiche technique, rendez-vous sur www.axis.com > produit > Support et documentation.

Voyants

FR

Voyant d'état	Indication
Vert	Vert et fixe en cas de fonctionnement normal.
Orange	Fixe pendant le démarrage. Clignote lors de la restauration des paramètres.

Voyant DEL réseau	Indication
Vert	Fixe en cas de connexion à un réseau de 100 Mbits/s. Clignote en cas d'activité réseau.
Orange	Fixe en cas de connexion à un réseau de 10 Mbits/s. Clignote en cas d'activité réseau.
Éteint	Pas de connexion réseau.

Voyant d'alimentation	Indication
Vert	Fonctionnement normal.
Orange	Le voyant vert/orange clignote pendant la mise à niveau du microprogramme.

Comportement du voyant d'état pour l'assistant de mise au point

Le voyant d'état clignote lorsque l'assistant de mise au point est activé.

Couleur	Indication
Rouge	L'image n'est pas au point. Réglage de l'objectif.
Orange	L'image est presque au point. L'objectif doit être ajusté.
Vert	L'image est au point.

Emplacement pour carte SD

AVIS

- La carte SD risque d'être endommagée. Ne pas utiliser d'outils tranchants ou d'objets métalliques et ne pas forcer lors de l'insertion ou du retrait de la carte SD. Utilisez vos doigts pour insérer et retirer la carte.
- Risque de perte de données et d'enregistrements corrompus. Ne retirez pas la carte SD tant que le produit est en fonctionnement. Débranchez l'alimentation ou démontez la carte SD des pages Web du produit avant de la retirer.

Cet appareil est compatible avec des cartes microSD/microSDHC/microSDXC (cartes non fournies).

Pour obtenir des conseils sur la carte SD, rendez-vous sur www.axis.com

Boutons

Bouton de commande

Pour connaître l'emplacement du bouton de commande, consultez *Vue d'ensemble du produit* page 30.

Le bouton de commande permet de réaliser les opérations suivantes :

- Activation de l'assistant de mise au point. Appuyez et relâchez aussitôt le bouton de commande.
- Réinitialisation du produit aux paramètres d'usine par défaut. Cf. *page 35*.
- Connexion au service du Système d'hébergement vidéo AXIS ou au service AXIS Internet Dynamic DNS. Pour obtenir plus d'informations sur ces services, consultez le site www.axis.com.

Connecteurs

Connecteur réseau

Connecteur Ethernet RJ45 avec l'alimentation par Ethernet (PoE).

AVIS

les réglementations locales ou les conditions environnementales et électriques dans lesquelles le produit est utilisé peuvent nécessiter l'utilisation d'un câble réseau blindé (STP). Tous les câbles réseau qui sont acheminés à l'extérieur ou dans des environnements électriques exigeants doivent être destinés à leur usage spécifique. Assurez-vous que les périphériques réseau sont installés conformément aux instructions du fabricant. Pour plus d'informations sur les exigences réglementaires, consultez *Electromagnetic compatibility (EMC) 4*.

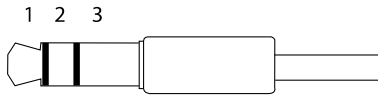
Connecteur audio

Le produit Axis dispose des connecteurs audio suivants :

- **Entrée audio (rose)** – entrée de 3,5 mm pour microphone mono ou signal d'entrée mono.
- **Sortie audio (verte)** : sortie de 3,5 mm (sortie de ligne) qui peut être connectée à un système de sonorisation (PA) ou à un haut-parleur actif avec amplificateur intégré. Un connecteur stéréo doit être utilisé pour la sortie audio.

Pour l'entrée audio, le canal gauche d'un signal stéréo est utilisé.

Connecteurs audio 3,5 mm (stéréo)



	1 Pointe	2 Anneau	3 Manchon
Entrée audio	Entrée micro/ligne		Masse
Sortie audio	Sortie de ligne, mono (compatible connecteur stéréo)	Sortie de ligne, mono (compatible connecteur stéréo)	Masse

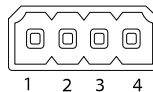
À propos des connecteurs d'E/S

Utilisez le connecteur d'E/S avec des périphériques externes, associés aux applications telles que les alarmes de détérioration, la détection de mouvement, le déclenchement d'événements et les notifications d'alarme. En plus du point de référence 0 V CC et de l'alimentation (sortie CC), le connecteur d'E/S fournit une interface aux éléments suivants :

Sortie numérique – Permet de connecter des dispositifs externes, comme des relais ou des voyants. Les appareils connectés peuvent être activés par l'interface de programmation VAPIX® ou dans les pages Web des produits.

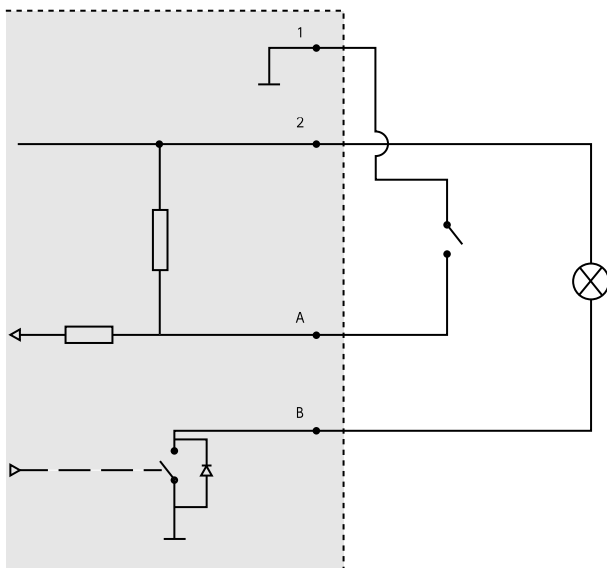
Entrée numérique – Pour connecter des dispositifs pouvant passer d'un circuit ouvert à un circuit fermé, par exemple capteurs infrarouge passifs, contacts de porte/fenêtre et détecteurs de bris de verre.

Bloc terminal à 4 broches



AXIS P1367 Network Camera

Fonction	Broche	Remarques	Caractéristiques
0 V CC (-)	1	Masse CC	0 V CC
Sortie CC	2	Peut servir à alimenter le matériel auxiliaire. Remarque : cette broche ne peut être utilisée que comme sortie d'alimentation.	12 V CC Charge maximale = 50 mA
Configurable (entrée ou sortie)	3-4	Entrée numérique – Connectez-la à la broche 1 pour l'activer ou laissez-la flotter (déconnectée) pour la désactiver.	0 à 30 V CC
		Sortie numérique – Connectée à la broche 1 lorsqu'elle est activée, flotte (déconnectée) lorsqu'elle est désactivée. Si vous l'utilisez avec une charge inductive, par exemple un relais, une diode doit être connectée en parallèle avec la charge, en guise de protection contre les tensions transitoires.	0 à 30 V CC max., drain ouvert, 100 mA

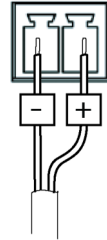


1 0 V CC (-)

- 2 Sortie CC 12 V, maxi. 50 mA
- A Entrée/sortie configurée comme entrée
- B Entrée/sortie configurée comme sortie

Connecteur d'alimentation

Bloc terminal à 2 broches pour l'alimentation CC. Utilisez une source d'alimentation limitée (LPS) conforme aux exigences de Très basse tension de sécurité (TBTS) dont la puissance de sortie nominale est limitée à ≤ 100 W ou dont le courant de sortie nominal est limité à ≤ 5 A.



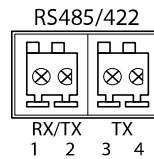
FR

Connecteur RS485/RS422

Deux blocs terminaux à 2 broches pour l'interface série RS485/RS422 utilisée pour commander les équipements auxiliaires, tels que les dispositifs panoramique/inclinaison.

Le port série peut être configuré pour la prise en charge de :

- RS485 semi-duplex sur deux fils
- RS485 duplex intégral sur quatre fils
- RS422 simplex sur deux fils
- RS422 duplex intégral sur quatre fils pour communication point à point



Fonction	Broche	Notes
RS485B alt RS485/422 RX(B)	1	Paire RX pour tous les modes (RX/TX combiné pour RS485 à 2 fils)
RS485A alt RS485/422 RX(A)	2	
RS485/RS422 TX(B)	3	Paire TX pour RS422 et RS485 à 4 fils
RS485/RS422 TX(A)	4	

Important

La longueur maximale de câble recommandée est de 30 mètres (98 pieds).

Conditions d'utilisation

Le produit Axis est uniquement destiné à une utilisation en intérieur.

Produit	Température	Humidité
AXIS P1367	De 0 °C à 50 °C (32 °F à 122 °F)	Humidité relative de 10 à 85 % (sans condensation)

Consommation électrique

AVIS

Utilisez une source d'alimentation limitée (LPS) dont la puissance de sortie nominale est limitée à ≤ 100 W ou dont le courant de sortie nominal est limité à ≤ 5 A.

Produit	Alimentation par Ethernet (PoE) IEEE 802.3af/802.3at Type 1 Classe 3	CC, 8–28 V CC
AXIS P1367	Max. 8,9 W Standard 5 W	Max. 8,8 W Standard 5 W

Informations sur la sécurité

Niveaux de risques

▲DANGER

Indique une situation dangereuse qui, si elle n'est pas évitée, entraînera le décès ou des blessures graves.

▲AVERTISSEMENT

Indique une situation dangereuse qui, si elle n'est pas évitée, pourrait entraîner le décès ou des blessures graves.

▲ATTENTION

Indique une situation dangereuse qui, si elle n'est pas évitée, pourrait entraîner des blessures légères ou modérées.

AVIS

Indique une situation qui, si elle n'est pas évitée, pourrait endommager l'appareil.

Autres niveaux de message

Important

Indique les informations importantes, nécessaires pour assurer le bon fonctionnement de l'appareil.

Note

Indique les informations utiles qui permettront d'obtenir le fonctionnement optimal de l'appareil.

Consignes de sécurité

▲AVERTISSEMENT

Le produit Axis doit être installé par un professionnel qualifié et conformément aux lois et réglementations locales en vigueur.

AVIS

- Le produit Axis doit être utilisé conformément aux lois et réglementations locales en vigueur.
- Axis recommande d'utiliser un câble réseau blindé (STP) CAT5 ou supérieur.
- Pour pouvoir utiliser le produit Axis à l'extérieur, ou dans des environnements similaires, il doit être installé dans un boîtier d'extérieur homologué.
- Conserver ce produit Axis dans un environnement sec et ventilé.
- Ne pas exposer ce produit Axis aux chocs ou aux fortes pressions.
- Ne pas installer ce produit sur des poteaux, supports, surfaces ou murs instables.
- Utiliser uniquement des outils recommandés pour l'installation de l'appareil Axis. L'application d'une force excessive sur l'appareil avec des outils puissants pourrait l'endommager.
- Ne pas utiliser de produits chimiques, de substances caustiques ou de nettoyeurs pressurisés.
- Utiliser un chiffon propre imbibé d'eau pure pour le nettoyage.
- Utiliser uniquement des accessoires conformes aux caractéristiques techniques de votre produit. Ils peuvent être fournis par Axis ou un tiers. Axis recommande d'utiliser un équipement d'alimentation Axis compatible avec votre produit.
- Utiliser uniquement les pièces de rechange fournies ou recommandées par Axis.
- Ne pas essayer de réparer vous-même ce produit. Contacter l'assistance technique d'Axis ou votre revendeur Axis pour des problèmes liés à l'entretien.

Transport

AVIS

- Lors du transport du produit Axis, utilisez l'emballage d'origine ou un équivalent pour éviter d'endommager le produit.

Batterie

Le produit Axis utilise une batterie au lithium CR2032 3,0 V comme alimentation de son horloge en temps réel interne (RTC). Dans des conditions normales, cette batterie a une durée de vie minimale de cinq ans.

Si la batterie est faible, le fonctionnement de l'horloge en temps réel peut être affecté et entraîner sa réinitialisation à chaque mise sous tension. Un message enregistré apparaît dans le rapport de serveur du produit lorsque la batterie doit être remplacée. Pour tout complément d'information concernant le rapport de serveur, reportez-vous aux pages de Configuration du produit ou contactez l'assistance technique d'Axis.

La batterie doit être remplacée uniquement en cas de besoin, et pour ce faire, contactez l'assistance technique d'Axis à l'adresse www.axis.com/support et obtenir de l'aide.

Les piles boutons 3,0 V au lithium contiennent du 1,2-diméthoxyéthane, éthylène glycol diméthyl éther (EGDME), CAS N° 110-71-4.

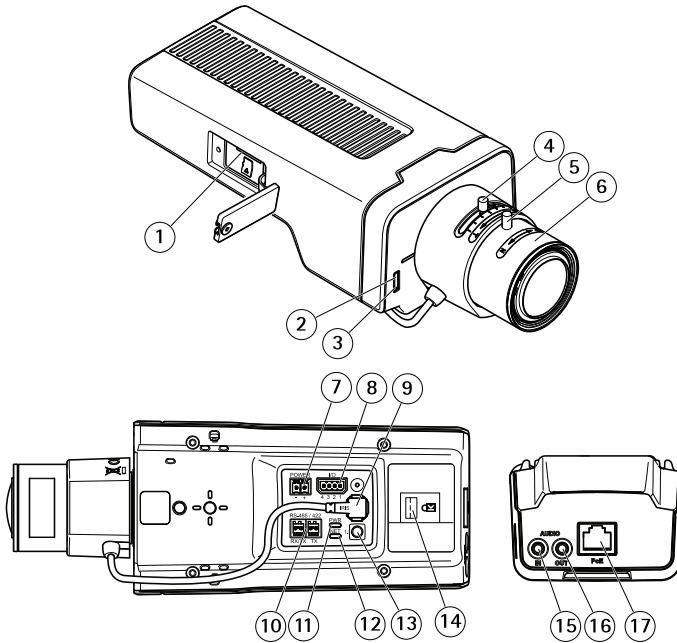
▲AVERTISSEMENT

- Risque d'explosion si la batterie est remplacée de façon incorrecte.
- Remplacez-la uniquement par une batterie identique ou une batterie recommandée par Axis.
- Mettez au rebut les batteries usagées conformément aux réglementations locales ou aux instructions du fabricant de la batterie.

Lieferumfang

- AXIS P1367
- Steckersatz
- Kameramontagefuß
- Inbusschlüssel TR20
- Inbusschlüssel T6
- Gedruckte Dokumente
 - Installationsanleitung (dieses Dokument)
 - Zusätzliche Etiketten mit der Seriennummer (2x)
 - AVHS-Authentifizierungsschlüssel

Produktübersicht



- 1 microSD-Kartensteckplatz
- 2 Status LED
- 3 Eingebautes Mikrofon
- 4 Zoomregler
- 5 Feststellschraube für den Fokusring
- 6 Fokusring
- 7 Netzanschluss (DC)
- 8 E/A-Anschluss
- 9 Blendenanschluss
- 10 RS485/422-Anschluss
- 11 Netz-LED
- 12 Netzwerk-LED
- 13 Steuertaste
- 14 Sicherheitsschlitz
- 15 Audioeingang
- 16 Audioausgang
- 17 Netzwerkanschluss (PoE)

Installieren des Produkts

Installieren der Hardware

HINWEIS

- Aufgrund örtlicher Vorschriften bzw. je nach Umgebung oder elektrischer Anlage, in/mit der das Produkt verwendet wird, kann ein abgeschirmtes Netzkabel (STP) empfehlenswert oder notwendig sein. Alle Netzkabel, die im Außenbereich oder in schwierigen elektrischen Umgebungen verlegt werden, müssen abgeschirmt (STP) und nur für die zweckgebundene Anwendung eingesetzt werden. Stellen Sie sicher, dass der Midspan vorschriftsmäßig geerdet ist. Informationen zu gesetzlichen Bestimmungen finden Sie unter *Regulatory information 4*.

Beachten

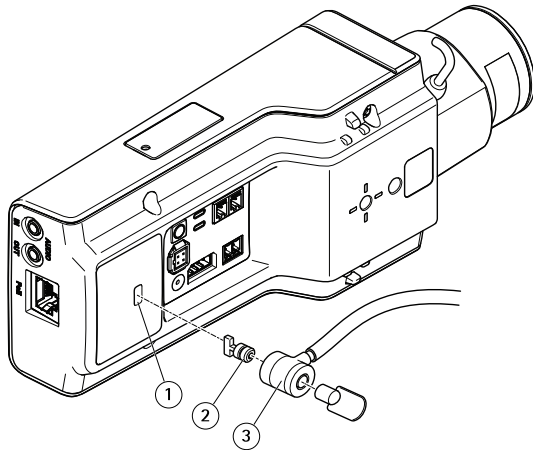
- Stellen Sie sicher, dass das Deckenmaterial stabil genug ist, um das Gewicht der Kamera zu tragen.
1. Bereiten Sie die Wand/Decke für die Installation des Montagefußes vor. Markieren Sie vor dem Bohren die Bohrlöcher mit dem Montagefuß als Vorlage.
 2. Führen Sie das Netzkabel durch die Wand/Decke. Lassen Sie zum Anschließen der Kamera ca. 30 cm Kabel frei.
 3. Wenn Sie ein zusätzliches Gerät an die Kamera anschließen, z. B. ein E/A- oder Audiogerät bzw. ein externes Netzteil, wiederholen Sie die oben aufgeführten Schritte für jedes Gerät.
 4. Montieren Sie das Stativ an einer Wand/Decke oder einem Mast. Stellen Sie sicher, dass Sie für das Material (z. B. Holz, Metall, Gipskarton, Stein) die geeigneten Schrauben und Dübel verwenden.
 5. Bringen Sie die Kamera am Stativ an und ziehen Sie die Schraube des Dreibeinstativs fest.
 6. Schließen Sie die Kabel an der Kamera an.
 7. Richten Sie die Kamera in der gewünschten Ausrichtung aus und montieren Sie das Kugelgelenk mithilfe des mitgelieferten Inbusschlüssels.

Anbringen einer Verriegelung am Sicherheitsschlitz

Um die Kamera am Montagefuß zu befestigen, kann eine Verriegelung mit einem Kabel an den Sicherheitsschlitz der Kamera angebracht werden.

Installieren der Verriegelung:

1. Schneiden Sie ein Loch in das Etikett, das den Sicherheitsschlitz abdeckt.
2. Bringen Sie die Verankerung am Sicherheitsschlitz an.
3. Befestigen Sie das Kabel am Montagefuß und den Sicherungskopf an der Verankerung.



- 1 Sicherheitsschlitz
- 2 Verankerung
- 3 Sicherungskopf

Zugriff auf das Produkt

Für die Suche nach Axis Produkten im Netzwerk und die Zuweisung einer IP-Adresse unter Windows® werden AXIS IP Utility und AXIS Camera Management empfohlen. Beide Anwendungen sind kostenlos und können von www.axis.com/support heruntergeladen werden.

Das Produkt kann mit den folgenden Browsern verwendet werden:

- Chrome™ (empfohlen), Firefox®, Edge® oder Opera® unter Windows®
- Chrome™ (empfohlen) und Safari® unter OS X®
- Chrome™ oder Firefox® unter anderen Betriebssystemen.

Weitere Informationen zur Nutzung dieses Produkts finden Sie im Benutzerhandbuch unter www.axis.com.

Einstellen von Fokus und Zoom

Ist die Kamera so montiert, dass sich die Bildqualität nicht prüfen lässt, während das Objektiv eingestellt wird, können Sie stattdessen den Fokus-Assistenten verwenden. Siehe *Einstellen des Fokus mit dem Fokus-Assistenten*.

1. Rufen Sie auf der Produktwebseite die Registerkarte **Bild** auf.
2. Klicken Sie auf **Autofokus**.

3. Lösen Sie den Zoomregler und den Schärferegler am Objektiv, indem Sie sie entgegen dem Uhrzeigersinn drehen. Siehe *Produktübersicht*.
4. Stellen Sie mithilfe der beiden Regler die Zoomstärke und Bildschärfe ein. Prüfen Sie die Bildqualität im Bildfenster.
5. Drehen Sie Zoomregler und Schärferegler wieder fest.
6. Klicken Sie auf **Autofokus**.

Einstellen des Fokus mit dem Fokus-Assistenten

Beachten

DE

- Während der Fokussierung der Kamera muss das Sichtfeld der Kamera unverändert bleiben. Falls Sie die Kamera bewegen oder wenn ein Finger oder ein Gegenstand vor dem Objektiv platziert wird, müssen Sie die Schritte wiederholen.
- Wenn Bewegungen vor der Kamera nicht vermieden werden können, sollten Sie den Fokus-Assistenten nicht verwenden.
- Wenn Sie die Steuertaste nicht innerhalb von zwei Sekunden loslassen, wird anstelle des Fokus-Assistenten der AXIS Internet Dynamic DNS-Service aktiviert. Weitere Informationen über den AXIS Internet Dynamic DNS-Service finden Sie unter www.axis.com.

Wenn die Status-LED rot oder gelb blinkt, bevor Sie das Objektiv einstellen können, beenden Sie den Fokus-Assistenten und wiederholen Sie die Schritte. Siehe *Verhalten der LED-Statusanzeige für den Fokus-Assistenten auf Seite 54*.

1. Fixieren oder platzieren Sie die Kamera so, dass sie nicht bewegt werden kann.
2. Lösen Sie den Zoomregler, indem Sie ihn entgegen dem Uhrzeigersinn drehen. Bewegen Sie den Regler und stellen Sie die Zoomstärke ein. Drehen Sie den Zoomregler wieder fest.
3. Stellen Sie die Kamera auf die weiteste Fernfokus-Position ein, indem Sie den Schärferegler lösen und den Fokusring vollständig im Uhrzeigersinn drehen.
4. Drücken Sie die Steuertaste und lassen Sie sie schnell wieder los. Wenn die Statusanzeige blinkt, ist der Fokus-Assistent aktiviert.
5. Drehen Sie den Fokusring vorsichtig gegen den Uhrzeigersinn bis zum Anschlag.
6. Drehen Sie den Fokusring langsam im Uhrzeigersinn, bis die Statusanzeige grün blinkt.
7. Zum Beenden des Fokus-Assistenten drücken Sie erneut die Steuertaste. Der Fokus-Assistent wird nach 15 Minuten automatisch ausgeschaltet, wenn die Steuertaste nicht betätigt wird.
8. Drehen Sie den Schärferegler wieder fest.
9. Rufen Sie auf der Produktwebseite die Registerkarte **Bild** auf.
10. Klicken Sie auf **Autofokus** und befolgen Sie die Installationsanweisungen des Assistenten.

Zurücksetzen auf die werksseitigen Standardeinstellungen

Zurücksetzen auf die werksseitigen Standardeinstellungen

Wichtig

Die Funktion zum Zurücksetzen auf die werksseitigen Standardeinstellungen sollte mit Vorsicht angewendet werden. Beim Zurücksetzen auf die Werkseinstellungen werden alle Einstellungen einschließlich der IP-Adresse auf die Werkseinstellungen zurückgesetzt.

So wird das Produkt auf die werksseitigen Standardeinstellungen zurückgesetzt:

1. Trennen Sie das Produkt von der Stromversorgung.
2. Halten Sie die Steuertaste gedrückt und stellen Sie die Stromversorgung wieder her. Siehe *Produktübersicht*.
3. Halten Sie die Steuertaste etwa 15 bis 30 Sekunden gedrückt, bis die Status LED gelb blinkt.
4. Lassen Sie die Steuertaste los. Der Vorgang ist abgeschlossen, wenn die Status LED grün leuchtet. Das Produkt wurde auf die Werkseinstellungen zurückgesetzt. Wenn kein DHCP-Server im Netzwerk verfügbar ist, lautet die Standard-IP-Adresse 192.168.0.90.
5. Verwenden Sie die Software-Tools für Installation und Verwaltung, um eine IP-Adresse zuzuweisen, ein Kennwort einzurichten und auf den Videostream zuzugreifen. Die Software-Tools für Installation und Verwaltung sind über die Supportseiten unter www.axis.com/support verfügbar.
6. Justieren Sie den Fokus des Produkts neu.

Weitere Informationen

- Unter www.axis.com finden Sie die aktuelle Version dieses Dokuments.
- Das Benutzerhandbuch steht unter www.axis.com zur Verfügung.
- Unter www.axis.com/support finden Sie Firmware-Aktualisierungen für Ihre Produkte.
- Nützliche Onlineschulungen und Webinare finden Sie unter www.axis.com/academy.

Optionales Zubehör

Eine vollständige Liste mit Zubehör für dieses Produkt finden Sie unter www.axis.com.

Technische Daten

Die aktuelle Version der technischen Kenndaten finden Sie auf www.axis.com unter Product > Support & Documentation.

LEDs

Status-LED	Bedeutung
Grün	Leuchtet bei Normalbetrieb grün.
Gelb	Leuchtet beim Start. Blinkt beim Wiederherstellen der Einstellungen.

Netzwerk-LED	Bedeutung
Grün	Leuchtet bei Verbindung mit einem 100 MBit/s-Netzwerk. Blinkt bei Netzwerkaktivität.
Gelb	Leuchtet bei Verbindung mit einem 10 MBit/s-Netzwerk. Blinkt bei Netzwerkaktivität.
Leuchtet nicht	Keine Netzwerkverbindung vorhanden.

Netz-LED	Bedeutung
Grün	Normaler Betrieb.
Gelb	Blinkt grün/gelb bei der Firmware-Aktualisierung.

Verhalten der LED-Statusanzeige für den Fokus-Assistenten

Die Status-LED blinkt, wenn der Fokus-Assistent aktiviert ist.

Farbe	Bedeutung
Rot	Bild unscharf. Objektiv einstellen.
Gelb	Bild nahezu scharf. Feineinstellung des Objektivs vornehmen.
Grün	Bild scharf.

SD-Karteneinschub

HINWEIS

- Gefahr von Schäden an der SD-Karte. Verwenden Sie beim Einlegen oder Entfernen der SD-Karte keine scharfen/spitzen Werkzeuge oder Gegenstände aus Metall und wenden Sie nicht zu viel Kraft an. Setzen Sie die Karte per Hand ein. Das Gleiche gilt für das Entfernen.
- Gefahr von Datenverlust und Beschädigung der Aufnahmen. Die SD-Karte darf nicht entfernt werden, während das Produkt in Betrieb ist. Trennen Sie die Stromversorgung oder deaktivieren Sie die SD-Karte vor dem Entfernen über die Webseite des Produkts.

Dieses Produkt unterstützt microSD-/microSDHC-/microSDXC-Karten (separat erhältlich).

Empfehlungen zu SD-Karten finden Sie unter www.axis.com.

DE

Tasten

Steuertaste

Zur Lage der Steuertaste, siehe *Produktübersicht auf Seite 48*.

Die Steuertaste hat folgende Funktionen:

- Aktivierung des Fokus-Assistenten. Drücken Sie kurz die Steuertaste.
- Zurücksetzen des Produkts auf die Werkseinstellungen. Siehe *Seite 52*.
- Verbinden mit einem Dienst des Typs AXIS Video Hosting System oder des Typs AXIS Internet Dynamic DNS. Weitere Informationen zu diesen Diensten finden Sie auf www.axis.com.

Anschlüsse

Netzwerkanschluss

RJ45-Ethernetanschluss mit Power over Ethernet (PoE).

HINWEIS

Aufgrund örtlicher Vorschriften bzw. je nach Umgebung oder elektrischer Anlage, in/mit der das Produkt verwendet wird, kann ein abgeschirmtes Netzkabel (STP) empfehlenswert oder notwendig sein. Alle Netzkabel des Produkts, die im Außenbereich oder in anspruchsvollen elektrischen Umgebungen verlegt werden, müssen hierfür ausgelegt sein. Stellen Sie sicher, dass die Netzwerkgeräte gemäß den Anweisungen des Herstellers installiert wurden. Informationen zu gesetzlichen Bestimmungen finden Sie unter *Electromagnetic compatibility (EMC) 4*.

AXIS P1367 Network Camera

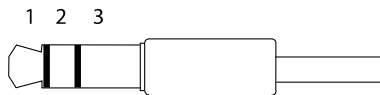
Audioanschlüsse

Das Axis Produkt ist mit den folgenden Audioanschlüssen ausgestattet:

- **Audioeingang (rosa)** – 3,5-mm-Anschluss für ein Monomikrofon oder ein Monosignal.
- **Audioausgang (grün)** – 3,5-mm-Audioausgang (Leitungspegel) zum Anschließen einer Rundrufanlage (PA) oder eines Aktivlautsprechers mit integriertem Verstärker. Für den Audioausgang muss ein Stereostecker verwendet werden.

Beim Audioeingang wird der linke Kanal von einem Stereosignal benutzt.

3,5-mm-
Audioanschlüsse
(Stereo)



	1 Spitze	2 Ring	3 Schaft
Audioeingang	Mikrofon-/Leitungseingang		Masse
Audioausgang	Leitungsausgang, mono (mit Stereostecker kompatibel)	Leitungsausgang, mono (mit Stereostecker kompatibel)	Masse

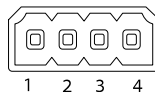
Über E/A-Anschlüsse

Die E/A-Anschlüsse dienen für externe Geräte in Verbindung mit Manipulationsalarmen, Bewegungserkennung, Ereignisauslösung, Alarbenachrichtigungen usw. Abgesehen von 0 V DC-Bezugspunkt und Strom (Gleichstromausgang) verfügt der E/A-Anschluss über eine Schnittstelle zu:

Digitalausgang – Zum Anschluss externer Geräte wie Relais und LEDs. Angeschlossene Geräte können über die VAPIX®-API (Application Programming Interface) oder über die Produktwebsite aktiviert werden.

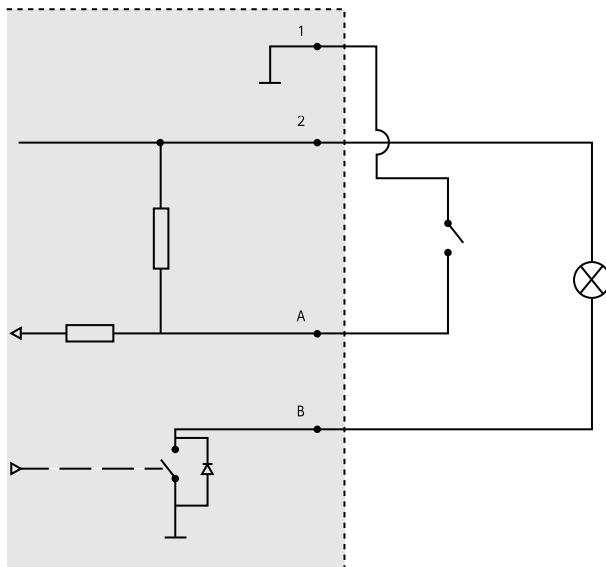
Digitaleingang – Zum Anschluss von Geräten, die zwischen geöffnetem und geschlossenem Schaltkreis wechseln können, z. B. PIR-Sensoren, Tür-/Fensterkontakte und Glasbruchmelder.

4-poliger Anschlussblock



Funktion	Kon- on- t- akt	Hinweise	Technische Daten
0 V DC (-)	1	Masse	0 V DC
DC-Ausgang	2	Kann für die Stromversorgung von Zusatzgeräten verwendet werden. Hinweis: Dieser Kontakt kann nur für den Stromausgang verwendet werden.	12 V DC Max. Stromstärke = 50 mA
Konfigurierbar (Ein- oder Ausgang)	3- 4	Digitaleingang – zum Aktivieren mit Pin 1 verbinden; zum Deaktivieren nicht anschließen.	0 bis max. 30 V DC
		Digitalausgang – bei Aktivierung mit Pin 1 verbunden; wenn deaktiviert: frei (nicht verbunden). Bei Verwendung mit einer induktiven Last, z. B. einem Relais, muss parallel zur Last zum Schutz vor Spannungsspitzen eine Diode zwischengeschaltet werden.	0 bis max. 30 V DC, Open Drain, 100 mA

DE



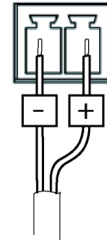
1 0 VDC (-)

AXIS P1367 Network Camera

- 2 DC-Ausgang 12 V, max. 50 mA
- A E/A als Eingang konfiguriert
- B E/A als Ausgang konfiguriert

Netzanschluss

2-poliger Anschlussblock für die Gleichstromversorgung. Verwenden Sie eine mit den Anforderungen für Schutzkleinspannung (SELV) kompatible Stromquelle mit begrenzter Leistung (LPS) mit einer Nennausgangsleistung von ≤ 100 W oder einem dauerhaft auf ≤ 5 A begrenzten Nennausgangsstrom.

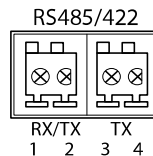


RS485-/RS422-Anschluss

Zwei 2-polige Anschlussblöcke für serielle Schnittstellen vom Typ RS485/RS422 zur Steuerung von Zusatzgeräten, beispielsweise zum Schwenken und Neigen.

Der serielle Anschluss kann in den folgenden Anschlussmodi konfiguriert werden:

- zweiadrigter RS485-Halbduplex-Anschluss
- vieradrigter RS485-Vollduplex-Anschluss
- zweiadrigter RS422-Simplex-Anschluss
- vieradrigter RS422-Vollduplex-Anschluss (Punkt-zu-Punkt-Verbindung)



Funktion	Kontakt	Hinweise
RS485B alt RS485/422 RX(B)	1	RX-Paar für alle Modi (kombinierter RX/TX für RS485 mit 2 Leitern)
RS485A alt RS485/422 RX(A)	2	
RS485/RS422 TX(B)	3	TX-Paar für RS422 und RS485 mit 4 Leitern
RS485/RS422 TX(A)	4	

Wichtig

Die empfohlene maximale Kabellänge beträgt 30 m.

Betriebsbedingungen

Das Axis Produkt ist für die Verwendung in Innenräumen konzipiert.

Produkt	Temperatur	Luftfeuchtigkeit
AXIS P1367	0 °C bis 50 °C	10 bis 85 % rF (nicht kondensierend)

Leistungsaufnahme

HINWEIS

Verwenden Sie eine Stromquelle mit begrenzter Leistung (LPS), entweder mit einer Nennausgangsleistung von ≤ 100 W oder einem dauerhaft auf ≤ 5 A begrenzten Nennausgangsstrom.

Produkt	Power over Ethernet (PoE) IEEE 802.3af/802.3at Typ 1, Klasse 3	DC,8 bis 28 V DC
AXIS P1367	Max. 8,9 W Normal: 5,0 W	Max. 8,8 W Normal: 5,0 W

Sicherheitsinformationen

Gefährdungsstufen

▲GEFAHR

Weist auf eine gefährliche Situation hin, welche zum Tod oder zu schweren Verletzungen führt.

▲WARNUNG

Weist auf eine gefährliche Situation hin, welche, falls nicht verhindert, zu Tod oder schweren Verletzungen führen kann.

▲VORSICHT

Weist auf eine gefährliche Situation hin, welche, falls nicht verhindert, zu geringfügiger oder mäßiger Verletzung führen kann.

HINWEIS

Weist auf eine gefährliche Situation hin, welche, falls nicht verhindert, zu Sachschäden führen kann.

Weitere Nachrichtenstufen

Wichtig

Weist auf wichtige Informationen hin, die den richtigen Betrieb des Produkts gewährleisten.

Beachten

Weist auf nützliche Informationen hin, die die optimale Verwendung des Produkts unterstützen.

Sicherheitsanweisungen

▲WARNUNG

Das Axis Produkt muss von fachmännischem Personal und unter Einhaltung der örtlich geltenden Bestimmungen installiert werden.

HINWEIS

- Das Axis Produkt muss unter Beachtung der örtlich geltenden Gesetze und Bestimmungen benutzt werden.
- Axis empfiehlt die Verwendung eines abgeschirmten Netzkabels (STP) der Kategorie 5 oder höher.
- Für den Einsatz von Axis-Produkten im Außenbereich oder ähnlichen Umgebungen müssen diese in für den Außenbereich zugelassenen Gehäusen installiert werden.
- Lagern Sie das Axis Produkt in einer trockenen und belüfteten Umgebung.
- Achten Sie darauf, dass das Axis Produkt weder Stößen noch starkem Druck ausgesetzt ist.
- Installieren Sie das Produkt nicht an instabilen Masten, Halterungen, Oberflächen oder Wänden.
- Verwenden Sie bei der Installation des Axis Produkts ausschließlich passende Werkzeuge. Ein zu großer Kraftaufwand mit elektrischen Werkzeugen kann das Produkt beschädigen.
- Verwenden Sie keine chemischen, ätzenden oder aerosolhaltigen Reinigungsmittel.
- Verwenden Sie zum Reinigen ein sauberes, mit destilliertem Wasser angefeuchtetes Tuch.
- Verwenden Sie nur Zubehör, das den technischen Vorgaben Ihres Produkts entspricht. Dieses ist von Axis oder Drittanbietern erhältlich. Axis empfiehlt die mit Ihrem Produkt kompatible Stromversorgung von Axis.
- Verwenden Sie ausschließlich Ersatzteile die von Axis angeboten oder empfohlen werden.
- Versuchen Sie nicht, dieses Produkt selbstständig zu reparieren. Wenden Sie sich bezüglich Reparatur und Wartung an den Axis Support oder Ihren Axis Händler.

Transport

HINWEIS

- Bei Bedarf transportieren Sie das Axis Produkt in der Originalverpackung oder einer entsprechenden Verpackung, so dass Schäden vermieden werden.

Batterie

Das Axis-Produkt ist mit einer 3,0 V-CR2032-Lithium-Batterie ausgestattet, mit der die interne Echtzeituhr (RTC) versorgt wird. Unter normalen Bedingungen hat die Batterie eine Lebensdauer von mindestens fünf Jahren.

Bei entladener Batterie ist der Betrieb der Echtzeituhr nicht mehr gewährleistet, sodass die Uhr bei jedem Systemstart zurückgesetzt wird. Sie erhalten eine Protokollnachricht im Serverbericht des Produkts, wenn ein Batteriewechsel erforderlich ist. Weitere Informationen über den Serverbericht finden Sie auf den Setup-Seiten des Produkts, oder wenden Sie sich an den Axis Support.

Die Batterie sollte nur bei Bedarf ersetzt werden. Wenden Sie sich in diesem Fall unter www.axis.com/support an den Axis-Support.

Lithium-Knopfzellen (3,0 V) enthalten 1,2-Dimethoxyethan; Ethylenglycoldimethylether (EGDME), CAS-Nr. 110-71-4.

▲WARNUNG

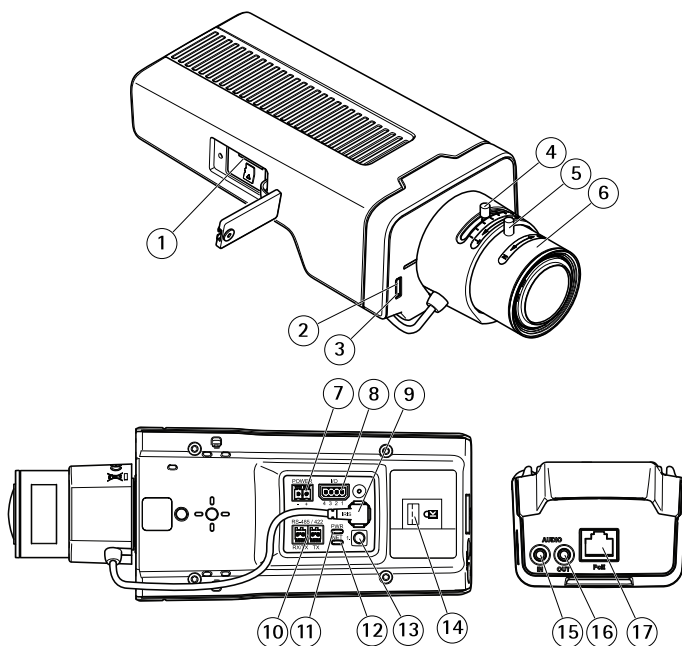
- Explosionsgefahr bei fehlerhaftem Batteriewechsel.
- Die Batterie darf nur durch eine identische Batterie oder eine von Axis empfohlene Batterie ersetzt werden.
- Verbrauchte Batterien sind gemäß den örtlichen Vorschriften oder den Anweisungen des Herstellers zu entsorgen.

DE

Contenuto della confezione

- AXIS P1367
- Kit di connettori
- Piedistallo telecamera
- Chiave Allen TR20
- Chiave Allen T6
- Documentazione
 - Guida all'installazione (questo documento)
 - Etichetta aggiuntiva con numero di serie (2)
 - Chiave di autenticazione AVHS

Panoramica del dispositivo



- 1 Slot per scheda di memoria microSD
- 2 LED di stato
- 3 Microfono incorporato
- 4 Levetta di zoom
- 5 Vite di arresto della ghiera di messa fuoco
- 6 Ghiera di messa a fuoco
- 7 Connettore di alimentazione (CC)
- 8 Connettore I/O
- 9 Connettore del diaframma
- 10 Connettore RS485/422
- 11 Power LED
- 12 LED di rete
- 13 Pulsante di comando
- 14 Slot di sicurezza
- 15 Ingresso audio
- 16 Uscita audio
- 17 Connettore di rete (PoE)

Come installare il dispositivo

Installazione dell'hardware

AVVISO

- A causa delle normative locali o delle condizioni ambientali ed elettriche in cui il dispositivo deve essere utilizzato, potrebbe essere opportuno o necessario l'utilizzo di un cavo di rete schermato (STP). Eventuali cavi di rete che vengono posizionati all'aperto o in ambienti elettrici devono essere schermati (STP) e destinati al loro uso specifico. Assicurarsi che il midspan sia propriamente a terra. Per maggiori informazioni sui requisiti normativi, consultare *Regulatory information 4*.

Nota

- Assicurarsi che il materiale sia abbastanza solido per sostenere il peso della telecamera.
 1. Preparare la parete o il soffitto per l'installazione del gruppo piedistallo. Utilizzare il gruppo piedistallo come sagoma e contrassegnare i punti da trapanare.
 2. Far passare il cavo di rete attraverso la parete o il soffitto. Lasciare circa 30 cm (11,8 pollici) di cavo per il collegamento alla telecamera.
 3. In caso di connessione di un dispositivo (es. di I/O, audio o alimentazione esterna) alla telecamera, ripetere il passaggio precedente (se consentito per il dispositivo in questione).
 4. Installare il supporto su parete o soffitto e assicurarsi che le viti e i connettori siano appropriati per il materiale (ad esempio legno, metallo, cartongesso, pietra).
 5. Installare la fotocamera al supporto e serrare la vite del treppiedi.
 6. Collegare tutti i cavi alla telecamera.
 7. Orientare la telecamera nella giusta direzione e utilizzare la chiave Allen in dotazione per serrare il giunto a sfera.

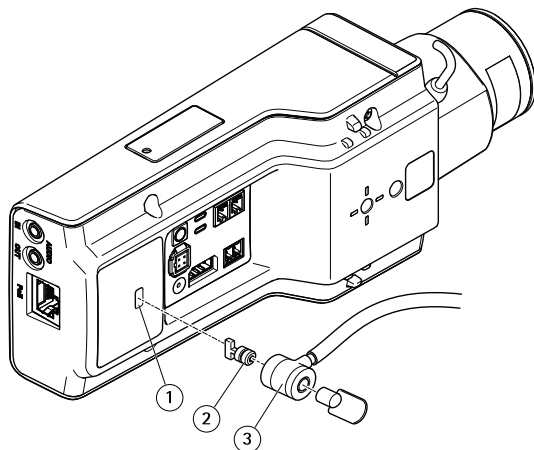
IT

Modalità di installazione di un blocco allo slot di sicurezza

Per fissare la telecamera al piedistallo, è possibile collegare un blocco con un cavo allo slot di sicurezza della telecamera.

Per installare il blocco:

1. Ritagliare un foro nell'etichetta che ricopre lo slot di sicurezza.
2. Installare l'ancoraggio allo slot di sicurezza.
3. Collegare il cavo al gruppo piedistallo, quindi collegare la testa del blocco all'ancoraggio.



- 1 Slot di sicurezza
- 2 Ancoraggio
- 3 Testa del blocco

Come accedere al dispositivo

AXIS IP Utility e AXIS Camera Management sono i metodi consigliati per trovare i dispositivi Axis in rete e assegnare loro un indirizzo IP in Windows®. Queste applicazioni sono entrambe gratuite e possono essere scaricate dal sito Web www.axis.com/support

Il dispositivo può essere utilizzato con i browser seguenti:

- Chrome™ (consigliato), Firefox®, Edge® oppure Opera® con Windows®
- Chrome™ (consigliato) o Safari® con OS X®
- Chrome™ o Firefox® con altri sistemi operativi.

Per ulteriori informazioni sull'utilizzo del dispositivo, consultare il Manuale per l'utente disponibile sul sito Web all'indirizzo: www.axis.com

Modalità di regolazione della messa a fuoco e dello zoom

Se la telecamera è montata in una posizione che non consente di controllare l'immagine e accedere all'obiettivo contemporaneamente, utilizzare l'Assistente di messa a fuoco; consultare *Modalità di regolazione della messa a fuoco con l'Assistente di messa a fuoco*.

1. Andare alla scheda **Image (Immagine)** sulla pagina Web del dispositivo.
2. Fare clic su **Autofocus (Messa a fuoco automatica)**.

3. Allentare gli estrattori dello zoom e della messa a fuoco sull'obiettivo ruotandoli in senso antiorario. Consultare *Panoramica del dispositivo*.
4. Spostare le levette per impostare lo zoom e la messa a fuoco, quindi controllare la qualità dell'immagine nella relativa finestra.
5. Riavvitare le levette di zoom e di messa a fuoco.
6. Fare clic su **Autofocus (Messa a fuoco automatica)**.

Modalità di regolazione della messa a fuoco con l'Assistente di messa a fuoco

Nota

- Verificare che la scena davanti alla telecamera non cambi durante la regolazione della messa a fuoco. Se si sposta la telecamera o si colloca un dito o un altro oggetto davanti all'obiettivo, sarà necessario ripetere la procedura.
- Se non è possibile evitare movimenti davanti alla telecamera, non utilizzare Focus Assistant.
- Se non si rilascia il pulsante di comando entro due secondi, viene abilitata la funzione AXIS Internet Dynamic DNS Service (Servizio DNS dinamico) anziché Focus Assistant. Per ulteriori informazioni su AXIS Internet Dynamic DNS Service, consultare il sito Web www.axis.com.

Se il LED di stato lampeggia in rosso o giallo prima che si sia riusciti a regolare l'obiettivo, uscire dall'Assistente di messa a fuoco e riavviare la procedura. Consultare *Comportamento del LED di stato per l'Assistente di messa a fuoco alla pagina 72*.

1. Installare o collocare la telecamera in un luogo da cui non possa essere spostata.
2. Allentare la levetta dello zoom ruotandolo in senso antiorario. Spostare la levetta per impostare il livello di zoom. Riposizionare la levetta dello zoom.
3. Impostare la telecamera nella posizione corrispondente alla massima distanza di messa a fuoco allentando la levetta di regolazione della messa a fuoco e ruotando la ghiera di messa fuoco in senso orario fino in fondo.
4. Premere e rilasciare velocemente il pulsante di comando. Se l'indicatore di stato inizia a lampeggiare, l'Assistente di messa a fuoco è abilitato.
5. Ruotare delicatamente la ghiera di messa fuoco in senso antiorario fino all'arresto.
6. Ruotare la ghiera di messa a fuoco lentamente in senso orario fino a quando l'indicatore di stato lampeggia in verde.
7. Per uscire da Focus Assistant, premere nuovamente il tasto di comando. Se non è possibile accedere al pulsante di comando, l'Assistente di messa a fuoco si disattiva automaticamente dopo 15 minuti.
8. Riavvitare l'estrattore di messa a fuoco.
9. Andare alla scheda **Image (Immagine)** sulla pagina Web del dispositivo.
10. Fare clic su **Autofocus (Messa a fuoco automatica)** e seguire le istruzioni della procedura guidata.

Modalità di ripristino dei valori predefiniti di fabbrica

Modalità di ripristino dei valori predefiniti di fabbrica

Importante

Il ripristino delle impostazioni predefinite di fabbrica deve essere utilizzato con cautela. Tale operazione consentirà di ripristinare le impostazioni di fabbrica per tutti i parametri, incluso l'indirizzo IP.

Per ripristinare il dispositivo alle impostazioni predefinite di fabbrica:

1. Scollegare l'alimentazione dal dispositivo.
2. Tenere premuto il pulsante di comando quando si ricollega l'alimentazione. Consultare *Panoramica del dispositivo*.
3. Tenere premuto il pulsante di comando per 15-30 secondi finché l'indicatore LED di stato non lampeggia in giallo.
4. Rilasciare il pulsante di comando. Il processo è completo quando l'indicatore del LED di stato diventerà verde. Il dispositivo è stato reimpostato alle impostazioni di fabbrica predefinite. Se nessun server DHCP è disponibile in rete, l'indirizzo IP predefinito è 192.168.0.90
5. Utilizzare gli strumenti per l'installazione e la gestione del software per assegnare un indirizzo IP, impostare la password e accedere al flusso video.
Gli strumenti per l'installazione e la gestione del software sono disponibili nelle pagine dedicate all'assistenza sul sito Web www.axis.com/support
6. Ripetere la messa a fuoco del dispositivo.

Ulteriori Informazioni

- Per la versione più recente di questo documento, visitare il sito all'indirizzo www.axis.com
- Il manuale per l'utente è disponibile all'indirizzo www.axis.com
- Per verificare se sono stati pubblicati aggiornamenti del firmware per il proprio dispositivo, vedere www.axis.com/support
- Per servizi di formazione utili e webinar, visita il sito www.axis.com/academy

Accessori opzionali

Per un elenco completo degli accessori disponibili per questo dispositivo, andare al sito www.axis.com

Specifiche tecniche

Per la versione più aggiornata della scheda tecnica, visitare il sito www.axis.com > prodotto > Supporto e documentazione.

Indicatori LED

LED di stato	Indicazione
Verde	Luce verde fissa: condizioni di normale utilizzo.
Giallo	Luce fissa durante l'avvio. Lampeggia durante il ripristino delle impostazioni.

LED di rete	Indicazione
Verde	Luce fissa per connessione di rete a 100 Mbit/s. Luce lampeggiante: attività di rete.
Giallo	Luce fissa per connessione di rete a 10 Mbit/s. Luce lampeggiante: attività di rete.
Spento	Assenza di connessione.

LED di alimentazione	Indicazione
Verde	Normale utilizzo.
Giallo	Luce lampeggiante verde/gialla: aggiornamento firmware.

Comportamento del LED di stato per l'Assistente di messa a fuoco

Il LED di stato lampeggia quando l'Assistente di messa a fuoco è attivo.

Colore	Indicazione
Rosso	L'immagine è sfocata. Regolare l'obiettivo.
Giallo	L'immagine è vicino al fuoco. L'obiettivo deve essere regolato.
Verde	L'immagine è a fuoco.

Slot per scheda SD

AVVISO

- Rischio di danneggiamento della scheda di memoria. Non utilizzare strumenti appuntiti oppure oggetti metallici e non esercitare eccessiva forza durante l'inserimento o la rimozione della scheda di memoria. Utilizzare le dita per inserire e rimuovere la scheda.
- Rischio di perdita di dati e danneggiamento delle registrazioni. Non rimuovere la scheda di memoria mentre il dispositivo è in funzione. Scollegare l'alimentazione oppure smontare la scheda di memoria dalle pagine Web del dispositivo prima di rimuoverla.

Questo dispositivo supporta schede microSD/microSDHC/microSDXC (scheda di memoria non inclusa).

Per i consigli sulla scheda SD, visitare il sito Web www.axis.com.

IT

Pulsanti

Pulsante di comando

Per l'ubicazione del pulsante di comando, vedere *Panoramica del dispositivo alla pagina 66*.

Il pulsante di comando viene utilizzato per:

- Abilitare la messa a fuoco assistita. Premere e rilasciare molto rapidamente il pulsante di comando.
- Ripristino del dispositivo alle impostazioni predefinite di fabbrica. Consultare *pagina 70*.
- Collegamento a un servizio AXIS Video Hosting System o AXIS Internet Dynamic DNS Service. Per ulteriori informazioni su tali servizi, vedere www.axis.com.

Connettori

Connettore di rete

Connettore Ethernet RJ45 con Power over Ethernet (PoE+).

AVVISO

A causa di normative locali o condizioni ambientali ed elettriche in cui il dispositivo deve essere utilizzato, può essere opportuno o necessario l'utilizzo di un cavo di rete schermato (STP). Tutti i cavi di rete del dispositivo posizionati all'aperto o in ambienti elettrici in condizioni difficili sono destinati al loro uso specifico. Accertarsi che i dispositivi di rete siano installati secondo le istruzioni del produttore. Per maggiori informazioni sui requisiti normativi, consultare *Electromagnetic compatibility (EMC) 4*.

AXIS P1367 Network Camera

Connettore audio

Il dispositivo Axis dispone dei seguenti connettori audio:

- **Ingresso audio (rosa)** - Ingresso audio da 3,5 mm per microfono in mono o segnale mono line-in.
- **Uscita audio (verde)** - Uscita audio da 3,5 mm (livello di linea) che può essere connessa a un sistema di indirizzo pubblico (PA) o a un altoparlante con amplificatore integrato. Per l'uscita audio è necessario usare un connettore stereo.

Per l'ingresso audio, il canale sinistro viene utilizzato da un segnale stereo.

Connettori audio da 3,5 mm (stereo)



	1 Punta	2 Anello	3 Guaina
Ingresso audio	Ingresso microfono/linea		Terra
Uscita audio	Uscita linea, mono (compatibile con connettore stereo)	Uscita linea, mono (compatibile con connettore stereo)	Terra

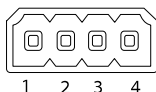
Informazioni sui connettori I/O

Utilizzare il connettore I/O con dispositivi esterni in combinazione con, ad esempio, allarmi antimanomissione, rilevamento movimento, attivazione di eventi e notifiche di allarme. Oltre al punto di riferimento 0 V CC e all'alimentazione (uscita CC), il connettore I/O fornisce l'interfaccia per:

Uscita digitale - Per collegare dispositivi esterni come relè o LED. I dispositivi collegati possono essere attivati tramite l'API (interfaccia per la programmazione di applicazioni) VAPIX® oppure nella pagina Web del dispositivo.

Ingresso digitale - Per collegare i dispositivi che possono passare dal circuito chiuso al circuito aperto, ad esempio i sensori PIR, i contatti porta/finestra e i rilevatori di rottura.

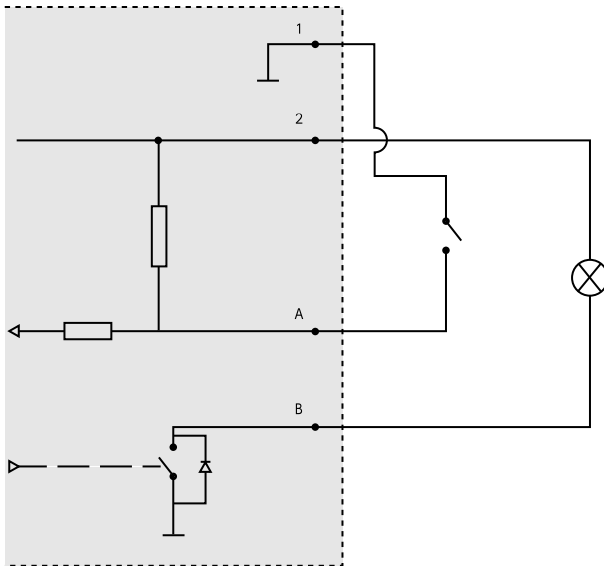
Morsettiera a 4 pin



Funzione	Pin	Note	Specifiche
0 V CC (-)	1	Terra CC	0 V CC

Uscita CC	2	Può essere utilizzato per alimentare una periferica ausiliaria. Nota: questo pin può essere usato solo come uscita alimentazione.	12 V CC Carico massimo = 50 mA
Configurabile (ingresso o uscita)	3-4	Ingresso digitale - collegare al pin 1 per attivarlo oppure lasciarlo isolato (scollegato) per disattivarlo.	da 0 a max 30 V CC
		Uscita digitale - Collegare al pin 1 quando attiva, isolata (scollegata) quando inattiva. Se utilizzata con un carico induttivo, ad esempio un relè esterno, è necessario collegare un diodo in parallelo al carico per proteggere il dispositivo da sovratensioni.	Da 0 a max 30 V CC, open-drain, 100 mA

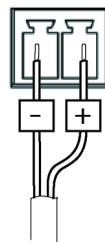
IT



- 1 0 V CC (-)
- 2 Uscita CC 12 V, max 50 mA
- A I/O configurato come ingresso
- B I/O configurato come uscita

Connettore di alimentazione

Morsettiera a 2 pin per ingresso alimentazione CC. Utilizzare una sorgente di alimentazione limitata (LPS) compatibile con una bassissima tensione di sicurezza (SELV) con una potenza di uscita nominale limitata a ≤ 100 W o una corrente nominale di uscita limitata a ≤ 5 A.

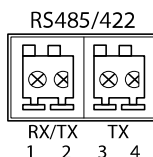


Connettore RS485/RS422

Due morsettiera a 2 pin per l'interfaccia seriale RS485/RS422 utilizzate per il controllo di periferiche ausiliarie come i dispositivi di rotazione/inclinazione.

La porta seriale può essere configurata per supportare:

- RS485 a due fili, half-duplex
- RS485 a quattro fili, full-duplex
- RS422 a due fili, simplex
- Comunicazione full-duplex punto a punto con RS422 a quattro fili



Funzione	Pin	Note
RS485B alt RS485/422 RX(B)	1	Coppia RX per tutte le modalità (RX/TX combinata per RS485 con due cavi)
RS485A alt RS485/422 RX(A)	2	
RS485/RS422 TX(B)	3	Coppia TX per RS422 e RS485 con quattro cavi
RS485/RS422 TX(A)	4	

Importante

La lunghezza del cavo massima consigliata è di 30 m.

Condizioni di funzionamento

Il dispositivo Axis è destinato all'uso interno.

Dispositivo	Temperatura	Umidità
AXIS P1367	Da 0°C a 50°C	10-85% umidità relativa (senza condensa)

Consumo energetico

AWISO

Utilizzare una sorgente di alimentazione limitata (LPS) con una potenza di output nominale limitata a ≤ 100 W o una corrente di output nominale limitata a ≤ 5 A.

Dispositivo	Power over Ethernet (PoE) IEEE 802.3af/802.3at Tipo 1 Classe 3	CC, 8-28 V CC
AXIS P1367	Max 8,9 W Tipico 5,0 W	Max 8,8 W Tipico 5,0 W

IT

Informazioni di sicurezza

Livelli di pericolo

▲PERICOLO

Indica una situazione pericolosa che, se non evitata, provoca morte o lesioni gravi.

▲AVVERTENZA

Indica una situazione pericolosa che, se non evitata, potrebbe provocare la morte o lesioni gravi.

▲ATTENZIONE

Indica una situazione pericolosa che, se non evitata, potrebbe provocare lesioni medie o minori.

AWISO

Indica una situazione che, se non evitata, potrebbe danneggiare la proprietà.

Altri livelli di messaggio

Importante

Indica informazioni importanti, essenziali per il corretto funzionamento del dispositivo.

Nota

Indica informazioni utili che aiutano a ottenere il massimo dal dispositivo.

Informazioni di sicurezza

▲AVVERTENZA

Il dispositivo Axis deve essere installato da un professionista qualificato, in conformità alle leggi e alle disposizioni locali.

AWISO

- Il dispositivo Axis deve essere utilizzato in conformità alle leggi e alle disposizioni locali.
- Axis consiglia l'uso di un cavo di rete schermato (STP) CAT5 o superiore.
- Per utilizzare il dispositivo Axis in ambienti esterni o in ambienti simili, deve essere installato in una custodia per esterni approvata.
- Conservare il dispositivo Axis in un ambiente asciutto e ventilato.
- Evitare di esporre il dispositivo Axis a urti o pressioni eccessive.
- Non installare il dispositivo su supporti, superfici, pareti o pali instabili.
- Utilizzare solo strumenti applicabili quando si installa il dispositivo Axis. Se si utilizza una forza eccessiva con strumenti non adatti è possibile causare danni al dispositivo.
- Non utilizzare sostanze chimiche, agenti caustici o detergenti aerosol.
- Utilizzare un panno pulito inumidito in acqua pura per la pulizia.
- Utilizzare solo accessori compatibili con le specifiche tecniche del dispositivo. Questi possono essere forniti da Axis o da terze parti. Axis consiglia l'uso dell'apparecchiatura di alimentazione Axis compatibile con il dispositivo.
- Utilizzare solo parti di ricambio fornite o consigliate da Axis.
- Non tentare di riparare il dispositivo da soli. Contattare l'assistenza o il rivenditore Axis per questioni relative alla manutenzione.

Trasporto

AWISO

- Durante il trasporto del dispositivo Axis, utilizzare l'imballaggio originale o equivalente per evitare danni al dispositivo.

Batteria

Il dispositivo Axis utilizza una batteria al litio da 3,0 V CR2032 come alimentazione per il suo real-time clock (RTC) interno. In condizioni normali questa batteria avrà una durata minima di cinque anni.

Una bassa carica della batteria influisce sul funzionamento del RTC, facendolo resettare a ogni accensione. Quando la batteria deve essere sostituita, un messaggio di registro viene visualizzato nel report server del dispositivo. Per ulteriori informazioni sul report server, vedere le pagine di configurazione del dispositivo o contattare l'assistenza Axis.

La batteria non deve essere sostituita se non richiesto, ma nel caso in cui questo fosse necessario, contattare il supporto Axis all'indirizzo www.axis.com/support per assistenza.

Batteria a bottone al litio 3,0 V contengono 1,2-dimetossietano; etere dimetilico di glicole etilenico (EGDME), CAS n. 110-71-4.

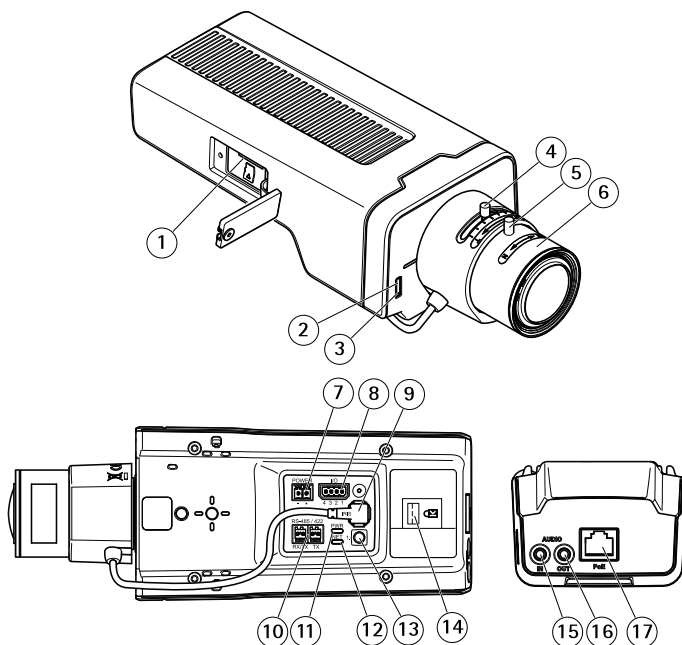
⚠AVVERTENZA

- Rischio di esplosione se la batteria viene sostituita in modo errato.
- Sostituire solo con una batteria identica o una batteria consigliata da Axis.
- Smaltire le batterie usate in base alle normative locali o alle istruzioni del produttore della batteria.

Contenido del paquete

- AXIS P1367
- Kit de conectores
- Soporte de la cámara
- Llave Allen TR20
- Llave Allen T6
- Materiales impresos
 - Guía de instalación (este documento)
 - Etiqueta adicional con el número de serie (2)
 - Clave de autenticación AVHS

Información general del producto



- 1 *Ranura para tarjeta microSD*
- 2 *LED de estado*
- 3 *Micrófono integrado*
- 4 *Regulador de zoom*
- 5 *Tornillo de bloqueo del anillo de enfoque*
- 6 *Anillo de enfoque*
- 7 *Conector de alimentación (CC)*
- 8 *Conector de E/S*
- 9 *Conector de iris*
- 10 *Conector RS485/422*
- 11 *LED de alimentación*
- 12 *LED de red*
- 13 *Botón de control*
- 14 *Ranura de seguridad*
- 15 *Entrada de audio*
- 16 *Salida de audio*
- 17 *Conector de red (PoE)*

Cómo instalar el producto

Instalación del hardware

AVISO

- Debido a la normativa local o a las condiciones ambientales y eléctricas en las que se vaya a utilizar el producto, puede que sea adecuado u obligatorio el uso de un cable de red blindado (STP). Todos los cables de red que se utilicen en exteriores o en entornos eléctricos exigentes deberán estar blindados (STP) y diseñados para su uso específico. Asegúrese de que el midspan disponga de una conexión a tierra adecuada. Para obtener información sobre los requisitos normativos, vea *Regulatory information 4*.

Nota

- Asegúrese de que el material sea lo suficientemente resistente para soportar el peso de la cámara.
 1. Prepare la pared o el techo para instalar el soporte. Utilice el soporte como una plantilla y marque la ubicación de los orificios antes de perforarlos.
 2. Guíe el cable de red a través de la pared o el techo. Deje unos 30 cm de cable aproximadamente para conectarlo a la cámara.
 3. Si se conecta un dispositivo auxiliar a la cámara, por ejemplo un dispositivo de alimentación externo, un dispositivo de E/S o uno de audio, repita el paso anterior aplicado a cada dispositivo en cuestión.
 4. Instale el soporte en la pared o el techo y asegúrese de utilizar los tornillos y los tacos adecuados para el material (por ejemplo, madera, metal, placas de yeso o piedra).
 5. Instale la cámara en el soporte y apriete el tornillo del trípode.
 6. Conecte todos los cables a la cámara.
 7. Oriente la cámara en la dirección adecuada y utilice la llave Allen suministrada para apretar la junta esférica.

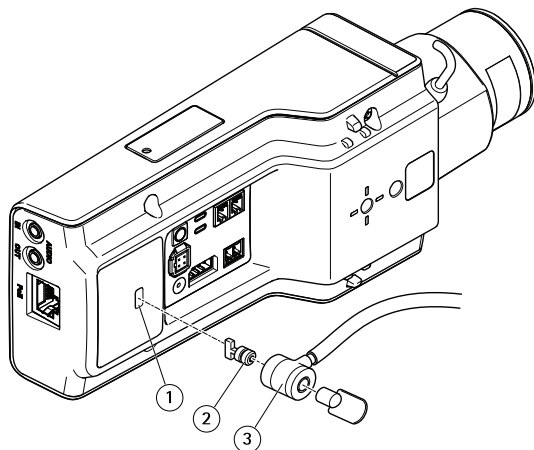
ES

Cómo instalar un bloqueo en la ranura de seguridad

Para fijar la cámara al soporte, puede colocarse un bloqueo con cable en la ranura de seguridad de la cámara.

Para instalar el bloqueo:

1. Corte un orificio en la etiqueta que cubre la ranura de seguridad.
2. Instale el anclaje en la ranura de seguridad.
3. Encaje el cable en el soporte y, a continuación, conecte el cabezal de bloqueo al anclaje.



- 1 *Ranura de seguridad*
- 2 *Anclaje*
- 3 *Cabezal de bloqueo*

Cómo acceder al producto

Se recomiendan AXIS IP Utility y AXIS Camera Management como métodos para buscar los productos de Axis en la red y asignarles direcciones IP en Windows®. Ambas aplicaciones son gratuitas y pueden descargarse de www.axis.com/support

El producto se puede utilizar con los siguientes navegadores:

- Chrome™ (recomendado), Firefox®, Edge® u Opera® con Windows®
- Chrome™ (recomendado) o Safari® con OS X®
- Chrome™ o Firefox® con otros sistemas operativos.

Para obtener más información sobre el uso del producto, consulte el manual del usuario, disponible en www.axis.com.

Cómo ajustar el enfoque y el zoom

Si la cámara está montada de manera que no se puede ver la imagen y acceder al objetivo al mismo tiempo, utilice el Asistente de enfoque; consulte *Cómo ajustar el enfoque con el Asistente de enfoque*.

1. Vaya a la pestaña **Image (Imagen)** en la página web del producto.
2. Haga clic en **Autofocus (Enfoque automático)**.

3. Afloje los reguladores de zoom y enfoque del objetivo girándolos en sentido contrario a las agujas del reloj. Consulte *Información general del producto*.
4. Mueva los reguladores para establecer el zoom y el enfoque y compruebe la calidad de la imagen en la ventana de imagen.
5. Apriete de nuevo las palancas de zoom y enfoque.
6. Haga clic en **Autofocus (Enfoque automático)**.

Cómo ajustar el enfoque con el Asistente de enfoque

Nota

- La vista delante de la cámara no debe cambiar durante el ajuste del enfoque. Si la cámara se mueve, o si se coloca un dedo u otro objeto delante del objetivo, comience de nuevo el procedimiento.
- Si no es posible evitar el movimiento delante de la cámara, el Asistente de Enfoque no debe utilizarse.
- Si el botón de control no se suelta en dos segundos, se activará el Servicio de DNS dinámico de Internet de AXIS en lugar del Asistente de Enfoque. Para obtener más información sobre el Servicio de DNS dinámico de Internet de AXIS, consulte www.axis.com.

Si el indicador LED de estado parpadea en rojo o ámbar antes de que se pueda ajustar el objetivo, salga del Asistente de enfoque y repita el procedimiento. Consulte *Comportamiento del indicador LED de estado del Asistente de enfoque en la página 90*.

1. Monte o coloque la cámara de modo que no pueda moverse.
2. Afloje el regulador de zoom girándolo en sentido contrario a las agujas del reloj. Mueva la palanca para establecer el nivel de zoom. Apriete de nuevo la palanca de zoom.
3. Ponga la cámara en la posición máxima de enfoque lejano; para hacerlo, afloje la palanca de enfoque y gire el anillo de enfoque en el sentido de las agujas del reloj hasta el tope.
4. Presione y suelte rápidamente el botón de control. Cuando el indicador de estado parpadea, el Asistente de enfoque está activado.
5. Gire lentamente el anillo de enfoque en sentido contrario a las agujas del reloj hasta que se detenga.
6. Gire lentamente el anillo de enfoque en el sentido de las agujas del reloj hasta que el indicador de estado parpadee en verde.
7. Para salir del Asistente de Enfoque, presione y suelte rápidamente el botón de control. Si no puede acceder al botón de control, el Asistente de enfoque se desactiva automáticamente transcurridos 15 minutos.
8. Apriete de nuevo el regulador de enfoque.
9. Vaya a la pestaña **Image (Imagen)** en la página web del producto.
10. Haga clic en **Autofocus (Enfoque automático)** y siga las instrucciones del asistente.

Cómo restablecer la configuración predeterminada de fábrica

Cómo restablecer los ajustes predeterminados de fábrica

Importante

Es preciso tener cuidado si se va a restablecer los ajustes predeterminados de fábrica. Todos los valores, incluida la dirección IP, se restablecerán a la configuración predeterminada de fábrica.

Para restablecer el producto a la configuración predeterminada de fábrica:

1. Desconecte la alimentación del producto.
2. Mantenga pulsado el botón de control mientras vuelve a conectar la alimentación. Consulte *Información general del producto*.
3. Mantenga pulsado el botón de control durante 15-30 segundos hasta que el indicador LED de estado parpadee en ámbar.
4. Suelte el botón de control. El proceso finaliza cuando el indicador LED de estado se pone verde. El producto se ha restablecido a la configuración predeterminada de fábrica. Si no hay ningún servidor DHCP disponible en la red, la dirección IP predeterminada es 192.168.0.90.
5. Utilice las herramientas del software de instalación y gestión para asignar una dirección IP, establecer la contraseña y acceder a la transmisión de vídeo.
Las herramientas del software de instalación y gestión están disponibles en las páginas de servicio técnico en www.axis.com/support.
6. Vuelva a enfocar el producto.

Más información

- Para consultar la versión más reciente de este documento, vaya a www.axis.com
- El manual de usuario se encuentra disponible en www.axis.com.
- Para comprobar si existe un firmware actualizado disponible para su producto, vaya a www.axis.com/support
- Para consultar seminarios web y cursos en línea que pueden resultarle útiles, vaya a www.axis.com/academy

Accesorios opcionales

Para conocer una lista completa de los accesorios disponibles para este producto, vaya a www.axis.com

Especificaciones técnicas

Para acceder a la versión más reciente de la hoja de datos, visite www.axis.com > productos > soporte técnico y documentación.

Indicadores LED

LED de estado	Indicación
Verde	Fijo para indicar un funcionamiento normal.
Ámbar	Fijo durante el inicio. Parpadea al restaurar valores de configuración.

LED de red	Indicación
Verde	Fijo para indicar una conexión a una red de 100 Mbits/s. Parpadea cuando hay actividad de red.
Ámbar	Fijo para indicar una conexión a una red de 10 Mbits/s. Parpadea cuando hay actividad de red.
Apagado	No hay conexión a la red.

LED de alimentación	Indicación
Verde	Funcionamiento normal.
Ámbar	Parpadea en verde/ámbar durante la actualización del firmware.

Comportamiento del indicador LED de estado del Asistente de enfoque

Cuando el LED de estado parpadea, el Asistente de enfoque está activado.

Color	Indicación
Rojo	La imagen está desenfocada. Ajuste del objetivo.
Ámbar	La imagen está casi enfocada. Debe ajustar ligeramente el objetivo.
Verde	La imagen está enfocada.

Ranura para tarjetas SD

AVISO

- Riesgo de daños en la tarjeta SD. No emplee herramientas afiladas, objetos de metal ni demasiada fuerza al insertar o extraer la tarjeta SD. Utilice los dedos para insertar o extraer la tarjeta.
- Riesgo de pérdida de datos y grabaciones dañadas. No extraiga la tarjeta SD mientras el producto esté en funcionamiento. Desconecte la alimentación o desinstale la tarjeta SD desde la página web de producto antes de retirarla.

Este producto admite tarjetas microSD/microSDHC/microSDXC (no incluidas).

Para conocer las recomendaciones de tarjeta SD, consulte www.axis.com.

Botones

Botón de control

Para conocer la ubicación del botón de control, consulte *Información general del producto en la página 84*.

El botón de control se utiliza para lo siguiente:

- Activar el Asistente de Enfoque. Presione y suelte rápidamente el botón de control.
- Restablecer el producto a la configuración predeterminada de fábrica. Consulte *página 88*.
- Conectarse a un servicio AXIS Video Hosting System o al Servicio de DNS dinámico de Internet de AXIS. Para obtener más información acerca de estos servicios, visite www.axis.com.

Conectores

Conector de red

Conector Ethernet RJ45 con alimentación a través de Ethernet (PoE).

AVISO

Debido a la normativa local o a las condiciones ambientales y eléctricas en las que se vaya a utilizar el producto, puede que sea adecuado u obligatorio el uso de un cable de red blindado (STP). Todos los cables que conectan el producto a la red y que se utilicen en exteriores o en entornos eléctricos exigentes deberán estar blindados y diseñados para su uso específico. Asegúrese de que los dispositivos de red estén instalados de conformidad con las instrucciones del fabricante. Para obtener información sobre los requisitos normativos, vea *Electromagnetic compatibility (EMC) 4*.

Conector de audio

El producto de Axis integra los siguientes conectores de audio:

- **Entrada de audio (rosa):** entrada de 3,5 mm para micrófono mono, o entrada de línea de señal mono.
- **Salida de audio (verde):** salida para audio (nivel de línea) de 3,5 mm que se puede conectar a un sistema de megafonía pública o a un altavoz con amplificador incorporado. Debe utilizarse un conector estéreo para la salida de audio.

En el caso de la entrada de audio, se utiliza el canal izquierdo de una señal estéreo.

Conectores de audio de 3,5 mm (estéreo)



	1 Punta	2 Anillo	3 Manguito
Entrada de audio	Entrada de línea/micrófono		Tierra
Salida de audio	Salida de línea, mono (conector estéreo compatible)	Salida de línea, mono (conector estéreo compatible)	Tierra

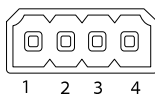
Acercas de los conectores de E/S

Utilice el conector de E/S con dispositivos externos en combinación con, por ejemplo, alarmas antimanipulación, detección de movimiento, activación de eventos y notificaciones de alarma. Además del punto de referencia de 0 V CC y la alimentación (salida de CC), el conector de E/S ofrece una interfaz para:

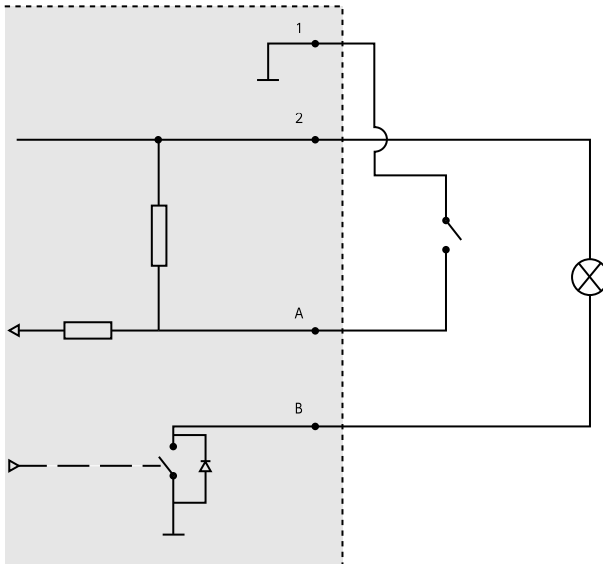
Salida digital – Conectar dispositivos externos como relés y LED. Los dispositivos conectados se pueden activar mediante la interfaz de programación de aplicaciones VAPIX® o en la página web del producto.

Entrada digital – Conectar dispositivos que puedan alternar entre circuitos cerrados y abiertos, por ejemplo, sensores PIR, contactos de puertas y ventanas o detectores de cristales rotos.

Bloque de terminales de 4 pines



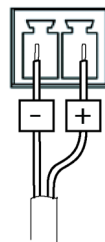
Función	Pin	Notas	Especificaciones
0 V CC (-)	1	Tierra CC	0 V CC
Salida de CC	2	Se puede utilizar para conectar el equipo auxiliar. Nota: Este pin solo se puede utilizar como salida de alimentación.	12 V CC Carga máx. = 50 mA
Configurable (entrada o salida)	3-4	Entrada digital: Conéctela al pin 1 para activarla, o bien déjela suelta (sin conectar) para desactivarla.	0 a 30 V CC máx.
		Salida digital: Conectada al pin 1 cuando se activa, suelta (sin conectar) cuando está desactivada. Si se utiliza con una carga inductiva (por ejemplo, un relé), debe conectarse un diodo en paralelo a la carga como protección ante transitorios de tensión.	De 0 a 30 V CC máx., colector abierto, 100 mA



- 1 0 V CC (-)
- 2 Salida de CC 12 V, 50 mA máx.
- A E/S configurada como entrada
- B E/S configurada como salida

Conector de alimentación

Bloque de terminales de 2 pines para la entrada de alimentación de CC. Use una fuente de alimentación limitada (LPS) que cumpla los requisitos de seguridad de baja tensión (SELV) con una potencia nominal de salida limitada a ≤ 100 W o una corriente nominal de salida limitada a ≤ 5 A.

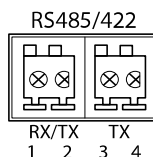


Conector RS485/RS422

Dos bloques de terminales de 2 pines para la interfaz serie RS485/RS422 usada para controlar equipos auxiliares, como dispositivos de movimiento horizontal/vertical.

El puerto serie puede configurarse para admitir:

- Semidúplex RS485 de dos cables
- Dúplex completo RS485 de cuatro cables
- Simplex RS422 de dos cables
- Dúplex completo RS422 de cuatro cables para comunicación dúplex punto a punto



Función	Pin	Notas
RS485B alt RS485/422 RX(B)	1	Par RX para todos los modos (RX/TX combinados para RS485 de dos cables)
RS485A alt RS485/422 RX(A)	2	
RS485/RS422 TX(B)	3	Par TX para RS422 y RS485 de cuatro cables
RS485/RS422 TX(A)	4	

Importante

La longitud de cable máxima recomendada es 30 m.

Condiciones de funcionamiento

El producto de Axis se ha diseñado para su uso en interior.

Producto	Temperatura	Humedad
AXIS P1367	De 0 °C a 50 °C	Humedad relativa del 10 al 85 % (sin condensación)

Consumo de energía

AVISO

Utilice una fuente de alimentación limitada (LPS) con una potencia nominal de salida limitada a ≤ 100 W o una corriente nominal de salida limitada a ≤ 5 A.

Producto	Alimentación a través de Ethernet (PoE) IEEE 802.3af/802.3at Tipo 1 Clase 3	CC, 8–28 V CC
AXIS P1367	8,9 W máx. 5,0 W típicos	8,8 W máx. 5,0 W típicos

ES

Información de seguridad

Niveles de peligro

▲PELIGRO

Indica una situación peligrosa que, si no se evita, provocará lesiones graves o la muerte.

▲ADVERTENCIA

Indica una situación peligrosa que, si no se evita, puede provocar lesiones graves o la muerte.

▲ATENCIÓN

Indica una situación peligrosa que, si no se evita, puede provocar lesiones moderadas o leves.

AVISO

Indica una situación peligrosa que, si no se evita, puede provocar daños materiales.

Otros niveles de mensaje

Importante

Indica información importante que es fundamental para que el producto funcione correctamente.

Nota

Indica información útil que ayuda a aprovechar el producto al máximo.

Instrucciones de seguridad

▲ADVERTENCIA

El producto de Axis debe instalarlo un profesional formado conforme las leyes y normativas locales.

AVISO

- El producto de Axis debe utilizarse de acuerdo con las leyes y normativas locales.
- Axis recomienda utilizar un cable de red blindado (STP) CAT5 o superior.
- Para usar el producto de Axis en exteriores, o en entornos similares, debe instalarse en una carcasa exterior aprobada.
- Almacene el producto de Axis en un entorno seco y ventilado.
- Evite la exposición del producto de Axis a choques o a una fuerte presión.
- No instale el producto en postes, soportes, superficies o paredes inestables.
- Utilice solo las herramientas correspondientes cuando instale el producto de Axis. La aplicación de una fuerza excesiva con herramientas eléctricas puede provocar daños en el producto.
- No utilice limpiadores en aerosol, agentes cáusticos ni productos químicos.
- Limpie con un paño limpio humedecido con agua pura.
- Utilice solo accesorios que cumplan con las especificaciones técnicas de su producto. Estos accesorios los puede proporcionar Axis o un tercero. Axis recomienda utilizar un equipo de suministro de alimentación de Axis compatible con su producto.
- Utilice solo piezas de repuesto proporcionadas o recomendadas por Axis.
- No intente reparar el producto usted mismo. Póngase en contacto con el servicio de asistencia técnica de Axis o con su distribuidor de Axis para tratar asuntos de reparación.

Transporte

AVISO

- Cuando transporte el producto de Axis, utilice el embalaje original o un equivalente para evitar daños en el producto.

Batería

Este producto de Axis utiliza una batería de litio CR2032 de 3,0 V como fuente de alimentación del reloj interno en tiempo real. En condiciones normales, esta batería durará un mínimo de cinco años.

Un nivel bajo de batería afectará al funcionamiento del reloj en tiempo real, lo que provocará el restablecimiento de este cada vez que se encienda el producto. Cuando sea necesario sustituir la batería, aparecerá un mensaje de registro en el informe del servidor del producto. Para obtener más

información sobre el informe del servidor, consulte las páginas de configuración del producto o póngase en contacto con el servicio de asistencia técnica de Axis.

La batería no debe sustituirse a menos que sea necesario; no obstante, si precisa hacerlo, póngase en contacto con el servicio de asistencia técnica de Axis en www.axis.com/support para solicitar ayuda.

Las pilas de botón de litio de 3,0 V contienen 1,2-dimetoxietano; éter dimetilico de etilenglicol (EGDME), n.º CAS 110-71-4.

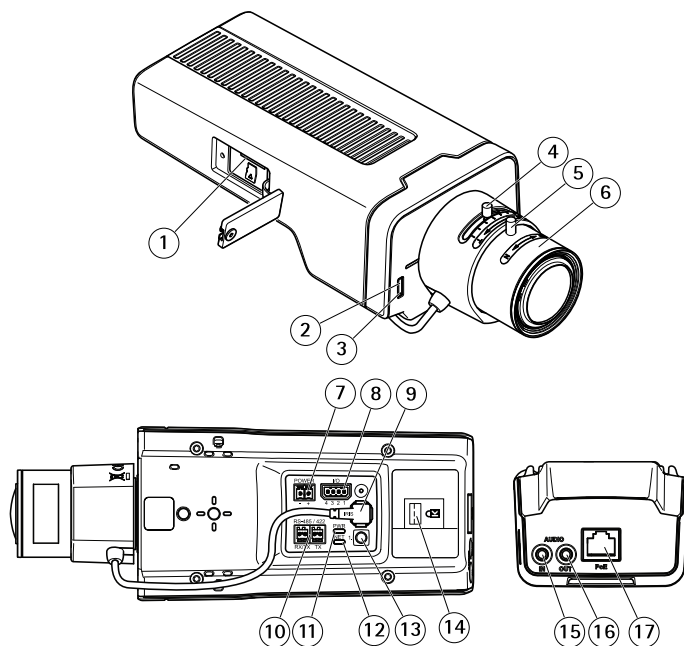
▲ADVERTENCIA

- La sustitución incorrecta de la batería implica riesgo de explosión.
- Sustituya la batería por una batería idéntica u otra batería recomendada por Axis.
- Deseche las baterías usadas de conformidad con la normativa local o las instrucciones del fabricante.

パッケージの内容

- AXIS P1367
- コネクタキット
- カメラスタンド
- 六角レンチTR20
- 六角レンチT6
- 印刷物
 - インストールガイド (本書)
 - 予備のシリアル番号ラベル (2枚)
 - AVHS認証キー

製品の概要



- 1 microSDカードスロット
- 2 ステータスLED
- 3 内蔵マイクロフォン
- 4 ズーム調節レバー
- 5 フォーカスリング固定ネジ
- 6 フォーカスリング
- 7 電源コネクタ (DC)
- 8 I/Oコネクタ
- 9 アイリスコネクタ
- 10 RS485/422コネクタ
- 11 電源LED
- 12 ネットワークLED
- 13 コントロールボタン
- 14 セキュリティスロット
- 15 音声入力
- 16 音声出力
- 17 ネットワークコネクタ (PoE)

製品の取り付け方法

ハードウェアの設置

注記

- 本製品を使用する場所の地域条例、環境、電気的条件によっては、シールドネットワークケーブル (STP) の使用が推奨または必須になります。野外または電氣的に厳しい環境にネットワークケーブルを配線する場合は、個別の用途に合ったシールドネットワークケーブル (STP) を使用してください。ミッドスパンは適切に接地してください。法的要件については、*Regulatory information 4*を参照してください。

注意

- 材質がカメラの重量を支えるのに十分であることを確認してください。
 1. スタンドを取り付ける壁面または天井の準備を行います。スタンドを壁に合わせ、穴を開ける位置に印を付けます。
 2. ネットワークケーブルを壁面または天井に通します。カメラとの接続用に 30 cmほどケーブルを残します。
 3. I/O、音声、外部電源デバイスなどの補助デバイスをカメラに接続する場合、それぞれのデバイスについて同じ手順を繰り返します。
 4. 壁面または天井にスタンドを取り付け、ネジやプラグが取り付け先の材質 (木材、金属、石膏ボード、石材など) に適していることを確認します。
 5. カメラをスタンドに取り付け、三脚ネジを締めます。
 6. すべてのケーブルをカメラに接続します。
 7. カメラを正しい方向に向け、付属の六角レンチでボールジョイントを締めます。

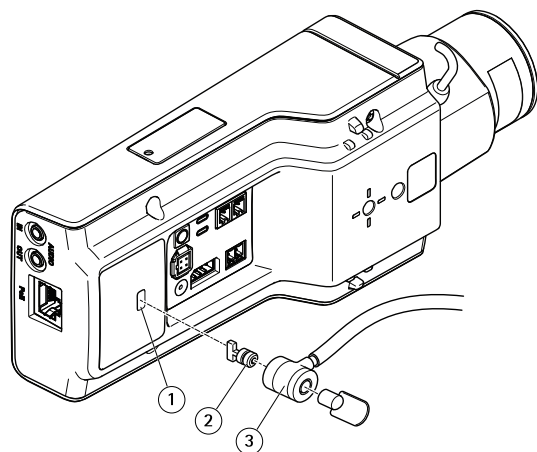
JA

セキュリティスロットへのロックの設置方法

カメラをスタンドに固定するために、ケーブル付きロックをカメラのセキュリティスロットに取り付けることができます。

ロックを設置するには次のように行います。

1. セキュリティスロットを覆うラベルに穴を開けます。
2. セキュリティスロットにアンカーを設置します。
3. ケーブルをスタンドに取り付けてから、ロックヘッドをアンカーに接続します。



- 1 セキュリティスロット
- 2 アンカー
- 3 ロックヘッド

製品のアクセス方法

ネットワーク上でAxis製品を検索したり、Windows®でそれにIPアドレスを割り当てるには、AXIS IP UtilityまたはAXIS Camera Managementの使用をお勧めします。いずれのアプリケーションも無料で、www.axis.com/supportからダウンロードできます。

製品は次のブラウザで使用できます。

- Chrome™ (推奨)、Firefox®、Edge®、またはOpera® (Windows®を使用する場合)
- Chrome™ (推奨)、またはSafari® (OS X®を使用する場合)
- Chrome™またはFirefox® (その他のオペレーティングシステムの場合)

製品の使用の詳細については、Axisのホームページ (www.axis.com) でユーザーズマニュアルを参照してください

フォーカスとズームの調整方法

映像を見ながらレンズにアクセスできるようにカメラが設置されていない場合は、フォーカスアシスタントを使用します。フォーカスアシスタントによるフォーカスの調節方法を参照してください。

1. 本製品のWebページで [Image (画像)] タブを表示します。
2. [Autofocus (オートフォーカス)] をクリックします。

3. レンズのズーム調節レバーとフォーカス調整レバーを反時計回りに回して緩めます。製品の概要を参照してください。
4. レバーを動かしてズームとフォーカスを調節し、映像ウィンドウで画質を確認します。
5. ズーム調節レバーとフォーカス調節レバーを締め直します。
6. **[Autofocus (オートフォーカス)]** をクリックします。

フォーカスアシスタントによるフォーカスの調節方法

注意

- フォーカス調節中はカメラの前の被写体に変化しないようにしてください。カメラが動いたり、レンズの前に指やその他の物体が入り込んだ場合は、手順をやり直します。
- カメラの前で被写体が動いてしまう場合は、フォーカスアシスタントを使用しないでください。
- コントロールボタンを2秒以上押し続けると、フォーカスアシスタントの代わりにAXIS Inernet Dynamic DNS Serviceが使用できるようになります。AXIS Inernet Dynamic DNSサービスの詳細については、www.axis.comを参照してください。

JA

レンズの調節が可能になる前にステータスLEDが赤または黄色に点滅する場合は、フォーカスアシスタントを終了してから、手順を繰り返してください。108ページの、フォーカスアシスタント用ステータスLEDの動作を参照してください。

1. カメラが動かないようにしっかりと固定します。
2. ズーム調節レバーを反時計回りに回して緩めます。レバーを動かしてズーム倍率を設定します。ズーム調節レバーを締め直します。
3. フォーカス調節レバーをゆるめてフォーカスリングを時計方向にいっぱいまで回し、最も離れた位置にフォーカスを合わせます。
4. コントロールボタンを押して、すぐに離します。ステータスLEDが点滅して、フォーカスアシスタントが有効になります。
5. フォーカスリングを反時計方向にいっぱいまでゆっくりと回します。
6. ステータスLEDが緑に点滅するまでフォーカスリングを時計方向にゆっくりと回します。
7. コントロールボタンを押し、フォーカスアシスタントを終了します。コントロールボタンにアクセスできない場合、フォーカスアシスタントは15分後に自動的にオフになります。
8. ピント調節レバーを締め直します。
9. 本製品のWebページで **[Image (画像)]** タブを表示します。
10. **[Autofocus (オートフォーカス)]** ボタンをクリックし、ウィザードの指示に従います。

工場出荷時の設定にリセットする方法

工場出荷時の設定にリセットする方法

重要

工場出荷時の設定へのリセットは慎重に行ってください。工場出荷時の設定へのリセットを行うと、IPアドレスを含むすべての設定が工場出荷時の値にリセットされます。

本製品を工場出荷時の設定にリセットするには、以下の手順を実行します。

1. 本製品の電源を切ります。
2. コントロールボタンを押した状態で電源を再接続します。製品の概要を参照してください。
3. ステータスLEDインジケーターが黄色に点滅するまで、コントロールボタンを15～30秒間押し続けます。
4. コントロールボタンを離します。プロセスが完了すると、ステータスLEDが緑色に変わります。これで本製品は工場出荷時の設定にリセットされました。ネットワーク上に利用可能なDHCPサーバーがない場合、デフォルトのIPアドレスは192.168.0.90になります。
5. インストールおよび管理ソフトウェアツールを使用してIPアドレスの割り当て、パスワードの設定、ビデオストリームへのアクセスを行います。
*www.axis.com/support*のサポートページに、インストールおよび管理ソフトウェアツールが用意されています。
6. 本製品のフォーカスを調節します。

関連情報

- 本書の最新バージョンについては、www.axis.comにアクセスしてください。
- ユーザーズマニュアルは、www.axis.comで入手できます。
- ご使用の製品の新しいファームウェアがリリースされていないかを確認するには、www.axis.com/supportにアクセスしてください。
- 役に立つオンライントレーニングおよびWebセミナーをご用意しております。www.axis.com/academyをご覧ください。

オプションアクセサリー

本製品で利用可能なすべてのアクセサリーについては、www.axis.comを参照してください

技術仕様

最新バージョンのデータシートについては、Axisのホームページwww.axis.com > [製品] > [サポートとドキュメント]を参照してください。

LEDインジケーター

ステータスLED	説明
緑	正常動作であれば緑色に点灯します。
黄	起動時に点灯し、設定の復元時には点滅します。

ネットワークLED	説明
緑	100 Mbit/sネットワークに接続している場合、点灯します。ネットワークパケットを送受信した場合、点滅します。
黄	10 Mbit/sネットワークに接続している場合、点灯します。ネットワークパケットを送受信した場合、点滅します。
無点灯	ネットワーク接続なし。

電源LED	説明
緑	正常動作。
黄	ファームウェアアップグレード中は緑と黄の交互点滅。

フォーカスアシスタント用ステータスLEDの動作

フォーカスアシスタントが有効のとき、ステータスLEDが点滅します。

カラー	説明
赤	画像がピンぼけしています。 レンズを調整してください。
黄	画像が近すぎてピンぼけしています。 レンズの微調整を行う必要があります。
緑	画像のピントが合っています。

SDカードスロット

注記

- SDカード損傷の危険があります。SDカードの挿入と取り外しの際には、鋭利な工具や金属性の物を使用したり、過剰な力をかけたりしないでください。カードの挿入や取り外しは指で行ってください。
- データ損失や録画データ破損の危険があります。本製品の稼働中はSDカードを取り外さないでください。取り外しの前に電源を切るか、製品のWebページからSDカードをマウント解除してください。

本製品は、microSD/microSDHC/microSDXCカードに対応しています (別売)。

推奨するSDカードについては、www.axis.comを参照してください

ボタン

コントロールボタン

コントロールボタンの位置については、102ページの、*製品の概要*を参照してください。

コントロールボタンは、以下の用途で使用します。

- フォーカスアシスタントを有効にする。コントロールボタンを押して、すぐに離します。
- 製品を工場出荷時の設定にリセットする。106ページを参照してください。
- AXIS Video Hosting SystemサービスまたはAXIS Internet Dynamic DNSサービスに接続する。これらのサービスの詳細については、www.axis.comを参照してください。

コネクター

ネットワークコネクタ

RJ45イーサネットコネクタ、Power over Ethernet (PoE) 対応。

注記

本製品を使用する場所の地域条例、環境、電気的条件によっては、シールドネットワークケーブル (STP) の使用が推奨または必須になります。本製品をネットワークに接続して屋外または電氣的に厳しい環境に配線する場合は、用途に合ったネットワークケーブルを使用してください。ネットワーク装置がメーカーの指示どおりに設置されていることを確認します。法的要件については、*Electromagnetic compatibility (EMC) 4*を参照してください。

音声コネクター

本製品は、以下の音声コネクターを搭載しています。

- **音声入力 (ピンク)** – モノラルマイクロフォンまたはライン入力モノラル信号用3.5 mm入力。
- **音声出力 (緑)** – 3.5 mm音声 (ラインレベル) 出力 (パブリックアドレス (PA) システムまたはアンプ内蔵アクティブスピーカーに接続可能)。音声出力には、ステレオコネクターを使用する必要があります。

音声入力には、ステレオ信号の左チャンネルが使用されます。

3.5 mm音声コネクター (ステレオ)



	1 チップ	2 リング	3 スリーブ
音声入力	マイクロフォン/ライン入力		グラウンド
音声出力	ライン出力、モノラル (ステレオコネクターと互換)	ライン出力、モノラル (ステレオコネクターと互換)	グラウンド

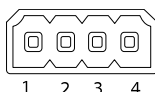
I/Oコネクターについて

I/Oコネクターに外部装置を接続し、いたずら警報、動体検知、イベントトリガー、アラーム通知などと組み合わせて使用することができます。I/Oコネクターは、0VDC基準点と電力 (DC出力) に加えて、以下のインターフェースを提供します。

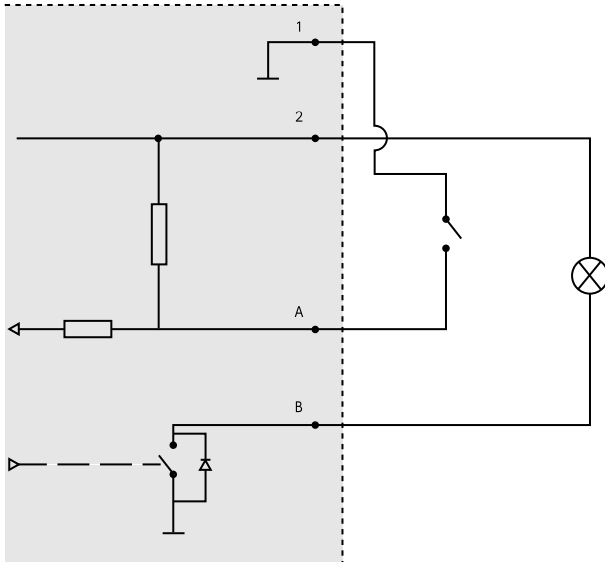
デジタル出力 - リレーやLEDなどの外部デバイスを接続します。接続されたデバイスは、VAPIX®アプリケーションプログラミングインターフェースまたは製品のWebページで有効にすることができます。

デジタル入力 - 開回路と閉回路の切り替えが可能なデバイス (PIRセンサー、ドア/窓の接触、ガラス破損検知器など) を接続するための入力です。

4ピンターミナルブロック



機能	ピン	備考	仕様
0 V DC (-)	1	DCグラウンド	0 V DC
DC出力	2	補助装置の電源供給に使用できます。 注: このピンは、電源出力としてのみ使用できます。	12 V DC 最大負荷 = 50 mA
設定可能 (入力または出力)	3-4	デジタル入力 - 動作させるにはピン1に接続し、動作させない場合はフロート状態 (未接続) のままにします。	0~30 V DC (最大)
		デジタル出力 - 動作させるにはピン1に接続し、動作させない場合はフロート状態 (未接続) にします。誘導負荷 (例: リレー) とともに使用する場合は、過渡電圧から保護するため、ダイオードを負荷と並列に接続する必要があります。	0~30 V DC (最大)、 オープンドレイン、 100 mA



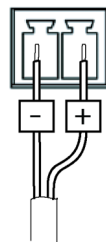
- 1 0 V DC (-)
- 2 DC出力12 V、最大50 mA

AXIS P1367 Network Camera

- A I/O (入力として設定)
- B I/O (出力として設定)

電源コネクタ

DC電源入力用2ピンターミナルブロック。定格出力が100 W以下または5 A以下の安全特別低電圧 (SELV) に準拠した有限電源 (LPS) を使用してください。

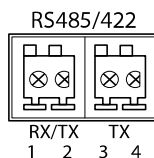


RS485/RS422 コネクタ

パン/チルトデバイスなど補助装置の制御に使用する、RS485/RS422シリアルインターフェイス用の2ピンターミナルブロック×2。

シリアルポートの設定により、次のモードをサポート可能。

- 2ワイヤーRS485半二重
- 4ワイヤーRS485全二重
- 2ワイヤーRS422単方向
- 4ワイヤーRS422全二重ポイントツーポイント通信



機能	ピン	備考
RS485BまたはRS485/422 RX(B)	1	すべてのモードのRXペア (2ワイヤーRS485のRX/TXペア)
RS485A5BまたはRS485/422 RX(A)	2	
RS485/RS422 TX(B)	3	RS422および4ワイヤーRS485のTXペア
RS485/RS422 TX(A)	4	

重要

ケーブルの推奨最大長は30 mです。

動作条件

本製品は屋内用モデルです。

製品	温度	湿度
AXIS P1367	0° C~50° C	10~85% RH (結露不可)

消費電力

注記

定格出力が100Wまたは5A以下の有限電源 (LPS) を使用します。

製品	Power over Ethernet (PoE) IEEE 802.3af/802.3at Type 1 Class 3	DC、8~28 V DC
AXIS P1367	最大8.9 W 標準5.0 W	最大8.8 W 標準5.0 W

JA

安全情報

危険レベル

▲危険

回避しない場合、死亡または重傷につながる危険な状態を示します。

▲警告

回避しない場合、死亡または重傷につながるおそれのある危険な状態を示します。

▲注意

回避しない場合、軽傷または中程度の怪我につながるおそれのある危険な状態を示します。

注記

回避しない場合、器物の破損につながるおそれのある状態を示します。

その他のメッセージレベル

重要

製品を正しく機能させるために不可欠な重要情報を示します。

注意

製品を最大限に活用するために役立つ有用な情報を示します。

安全手順

▲警告

本製品の設置は、お使いになる地域の法律や規制に準拠して、訓練を受けた専門技術者が行ってください。

注記

- 本製品は、お使いになる地域の法律や規制に準拠して使用してください。
- Axisは、シールドネットワークケーブル (STP) CAT5以上の使用を推奨します。
- 本製品を屋外またはそれに準じる環境で使用する場合は、認定済みの屋外用筐体に収納して設置する必要があります。
- 本製品は乾燥した換気の良い環境に保管してください。
- 本製品に衝撃または強い圧力を加えないでください。
- 本製品を不安定なポール、ブラケット、表面、または壁に設置しないでください。
- 本製品を設置するには、適切な工具のみを使用してください。電動工具を使用して過剰な力をかけると、製品が損傷することがあります。
- 化学薬品、腐食剤、噴霧式クリーナーは使用しないでください。
- 清掃には、きれいな水に浸した清潔な布を使用してください。
- 製品の技術仕様に準拠したアクセサリのみを使用してください。これらのアクセサリは、Axisまたはサードパーティから入手できます。Axisは、ご使用の製品と互換性のあるAxis給電ネットワークスイッチの使用を推奨します。
- Axisが提供または推奨する交換部品のみを使用してください。
- 製品を自分で修理しないでください。修理については、Axisサポートまたは販売代理店にお問い合わせください。

輸送

注記

- 本製品を運搬する際は、製品が損傷しないよう、元の梱包か同等の梱包を使用してください。

バッテリー

本製品は、内部リアルタイムクロック (RTC) 用電源として、3.0 V CR2032リチウムバッテリーを使用します。このバッテリーは、通常条件下で最低5年間使用できます。

バッテリーが低電力状態になると、RTCの動作に影響し、電源を入れるたびにRTCがリセットされます。バッテリーの交換が必要になると、製品のサーバーレポートに

ログメッセージが表示されます。サーバーレポートの詳細については、製品の設定ページを参照するか、Axisサポートまでお問い合わせください。

必要な場合以外はバッテリーを交換しないでください。バッテリーの交換が必要な場合は、Axisサポート www.axis.com/supportまでご連絡ください。

リチウムコイン型3.0V電池は、1,2-ジメトキシエタン (エチレングリコールジメチルエーテル (EGDME)、CAS番号110-71-4) を含有しています。

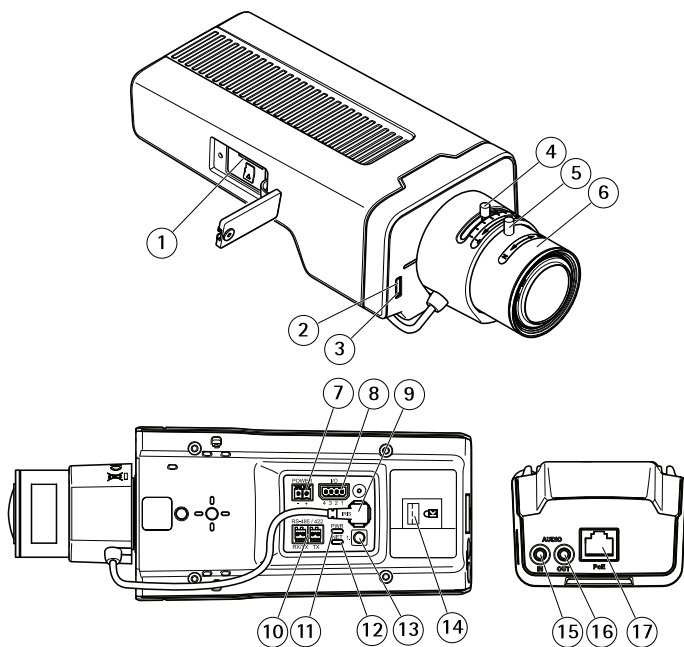
▲警告

- バッテリーは、正しく交換しないと爆発する危険があります。
- 交換用バッテリーとしては、同一品またはAxisが推奨するバッテリーのみを使用してください。
- 使用済みバッテリーは、地域の規制またはバッテリーメーカーの指示に従って廃棄してください。

包装内容

- AXIS P1367
- 连接器套件
- 摄像机支架
- 内六角扳手 TR20
- 内六角扳手 T6
- 印刷资料
 - 安装指南（本文档）
 - 额外的序列号标签（2 个）
 - AVHS 身份验证密钥

产品概述



- 1 microSD 卡插槽
- 2 状态 LED
- 3 内置麦克风
- 4 变焦拉杆
- 5 对焦环的锁定螺丝
- 6 对焦环
- 7 电源连接器 (DC)
- 8 I/O 连接器
- 9 光圈连接器
- 10 RS485/422 连接器
- 11 电源 LED
- 12 网络 LED
- 13 控制按钮
- 14 安全锁槽
- 15 音频输入
- 16 音频输出
- 17 网络连接器 (PoE)

如何安装产品

安装硬件

注意

- 由于当地法规或产品使用场所的环境和电气条件，可能需要使用屏蔽网络电缆 (STP)。在室外或恶劣电气环境中布放的任何网络电缆都应为屏蔽网络电缆 (STP) 并具有其特定用途。确保中跨正确接地。有关法规要求的信息，请参见 *Regulatory information 4*。

备注

- 确保材料足够坚固，以承受摄像机重量。
 1. 准备用于安装支架的墙壁或天花板。使用支架作为模板，并在钻孔前标记孔的位置。
 2. 将网络电缆穿过墙壁或天花板。留出大约 30 厘米（11.8 英寸）的电缆来连接摄像机。
 3. 如果将辅助设备（例如，I/O、音频或外部电源设备）连接到摄像机，请重复上述适用于特定设备的步骤。
 4. 将支架安装在墙壁或天花板上，并确保螺丝和塞子适合材料（木头、金属、板岩、石头）。
 5. 将摄像机安装在支架上，然后拧紧三脚架螺丝。
 6. 将所有电缆连接至摄像机。
 7. 将摄像机朝向正确方向，然后使用随附的内六角扳手拧紧球头。

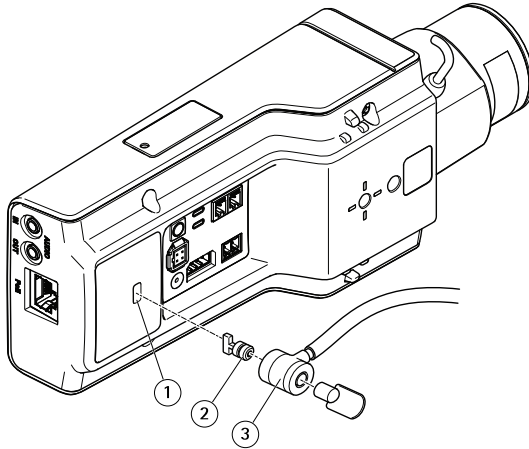
ZH

如果将锁安装到安全锁槽

要将摄像机固定到支架上，可以将带电缆的锁安装到摄像机的安全锁槽。

安装锁：

1. 在覆盖安全锁槽的标签上切开一个孔。
2. 将固定桩安装到安全锁槽。
3. 将电缆连接到支架，然后将锁头连接到固定桩。



- 1 安全锁槽
- 2 固定桩
- 3 锁头

如何访问产品

AXIS IP Utility 和 AXIS Camera Management 是用于在网上查找安讯士产品以及在 Windows® 中为其分配 IP 地址的建议方法。这两种应用程序都是免费的，可以从 www.axis.com/support 上进行下载

该产品可与以下浏览器兼容：

- Chrome™ (推荐)、Firefox®、Edge® 或 Opera®，用于 Windows®
- Chrome™ (推荐) 或 Safari®，用于 OS X®
- Chrome™ 或 Firefox®，用于其他操作系统。

有关使用产品的更多信息，请参阅 www.axis.com 上提供的用户手册

如何调整对焦和变焦

如果安装摄像机之后无法同时观看图像和触摸镜头，则可使用对焦助手，请参见 [如何使用对焦助手调整对焦](#)。

1. 转到产品网页中的 **图像**选项卡。
2. 单击 **自动对焦**。
3. 逆时针转动镜头上的变焦和对焦拉杆以将其松开。请参见 [产品概述](#)。
4. 移动拉杆以设置变焦和对焦，并在图像窗口中检查图像质量。

5. 重新紧固变焦和对焦拉杆。
6. 单击 **自动对焦**。

如何使用对焦助手调整对焦

备注

- 在对焦调整过程中，不应更改摄像机前面的视图。如果摄像机发生移动，或者如果手指或其他物体挡在镜头前面，请重启该程序。
- 如果无法避免摄像机前面的移动，则不应使用对焦助手。
- 如果在两秒内未松开控制按钮，将启用安讯士互联网动态 DNS 服务而非对焦助手。有关安讯士互联网动态 DNS 服务的详细信息，请参见 www.axis.com。

如果在能够调整镜头之前，状态 LED 闪烁红色或淡黄色，请退出对焦助手并重启该程序。请参见 *对焦助手的 LED 指示灯情况* 在第 126 页。

1. 将摄像机安装或放置在无法移动的位置。
2. 逆时针调整变焦拉杆以将其松开。移动拉杆以设置变焦级别。重新紧固变焦拉杆。
3. 通过松开对焦拉杆并沿顺时针方向将对焦环转到极限位置，可以将摄像机设置到其最远对焦位置。
4. 按下并快速释放控制按钮。当状态指示器闪烁时，对焦助手已启用。
5. 轻轻地逆时针转动对焦环，直至其停止。
6. 顺时针缓慢转动对焦环，直至状态指示器呈绿色闪烁。
7. 要退出对焦助手，请按控制按钮。如果无法触摸控制按钮，对焦助手将在 15 分钟后自动关闭。
8. 重新紧固对焦拉杆。
9. 转到产品网页中的 **Image (图像)** 选项卡。
10. 单击 **Autofocus (自动对焦)**，然后按照向导说明进行操作。

如何重置为出厂默认设置

如何重置为出厂默认设置

重要

重置为出厂默认值时应谨慎。重置为出厂默认值会将所有设置（包括 IP 地址）重置为出厂默认值。

将产品重置为出厂默认设置：

1. 断开产品电源。
2. 按住控制按钮，同时重新连接电源。请参见 *产品概述*。
3. 按住控制按钮 15–30 秒，直到状态 LED 指示灯呈淡黄色闪烁。
4. 释放控制按钮。当状态 LED 指示灯变绿时，此过程完成。产品已重置为出厂默认设置。如果网络上没有可用的 DHCP 服务器，则默认 IP 地址为 192.168.0.90
5. 使用安装和管理软件工具分配 IP 地址、设置密码和访问视频流。
安装和管理软件工具可从 www.axis.com/support 上的支持页面获取
6. 重调产品焦距。

更多信息

- 有关本文档的最新版本，请参见 www.axis.com
- 用户手册可从 www.axis.com 获取
- 要检查是否有产品的可用更新固件，请参见 www.axis.com/support
- 如需有用的在线培训和在线研讨会，请参见 www.axis.com/academy

可选附件

有关本产品可用附件的完整列表，请转到 www.axis.com

技术规格

要查找最新版本的数据表，请转到 www.axis.com > 产品 > 支持和文档。

LED 指示灯

状态 LED	指示
绿色	稳定绿色表示正常工作。
淡黄色	在启动期间稳定。在恢复设置时闪烁。

网络 LED	指示
绿色	稳定表示连接到 100 Mbit/s 网络。闪烁表示网络活动。
淡黄色	稳定表示连接到 10 Mbit/s 网络。闪烁表示网络活动。
熄灭	没有网络连接。

电源 LED	指示
绿色	正常工作。
淡黄色	在固件升级过程中呈绿色/淡黄色闪烁。

对焦助手的 LED 指示灯情况

当对焦助手处于活动状态时，LED 指示灯 闪烁。

颜色	指示
红色	图像失焦。 调整镜头。
淡黄色	图像接近对焦。 镜头需要微调。
绿色	图像已对焦。

SD 卡插槽

注意

- 损坏 SD 卡的风险。插入或取出 SD 卡时，请勿使用锋利的工具、金属物体或过大力气。使用手指插入和取出该卡。

- 数据丢失和录制内容损坏的风险。产品正在运行时，请勿取出 SD 卡。在移除之前，请断开电源或从产品的网页卸载 SD 卡。

本产品支持 microSD/microSDHC/microSDXC 卡（不包括）。

有关 SD 卡的建议，请参见 www.axis.com

按钮

控制按钮

有关控制按钮的位置，请参见 *产品概述* 在第 120 页。

控制按钮用于：

- 启用对焦助手。按下并快速释放控制按钮。
- 将产品重置为出厂默认设置。请参见第 124 页。
- 连接到安讯士视频托管系统服务或安讯士互联网动态 DNS 服务。有关这些服务的更多信息，请参阅 www.axis.com。

接口

网络连接器

采用以太网供电 (PoE) 的 RJ45 以太网连接器。

注意

由于当地法规或产品使用场所的环境和电气条件，可能需要使用屏蔽网络电缆 (STP)。将产品连接到网络的所有电缆以及在室外或恶劣电气环境中布放的电缆应专用于其特定用途。确保根据制造商的说明安装网络设备。有关法规要求的信息，请参见 *Electromagnetic compatibility (EMC) 4*。

音频连接器

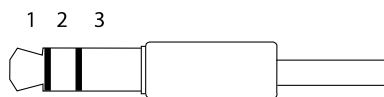
安讯士产品具有以下音频连接器：

- **音频输入（粉色）** – 3.5 毫米输入，用于单声道麦克风或线路输入单声道信号。
- **音频输出（绿色）** – 用于音频（线路级）的 3.5 毫米输出，可连接到公共地址 (PA) 系统或带有内置放大器的有源扬声器。立体声连接器必须用于音频输出。

对于音频输入，左声道用于立体声信号。

AXIS P1367 Network Camera

3.5 毫米音频连接器
(立体声)



	1 尖部	2 中间环	3 尾段
音频输入	麦克风/线路输入		接地
音频输出	线路输出, 单声道 (兼容立体声连接器)	线路输出, 单声道 (兼容立体声连接器)	接地

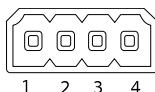
关于 I/O 连接器

将 I/O 连接器用于外部设备, 例如与主动防破坏报警、运动侦测、事件触发和警报通知结合使用。除了 0 V DC 参考点和电源 (DC 输出) 以外, I/O 连接器还提供了以下接口:

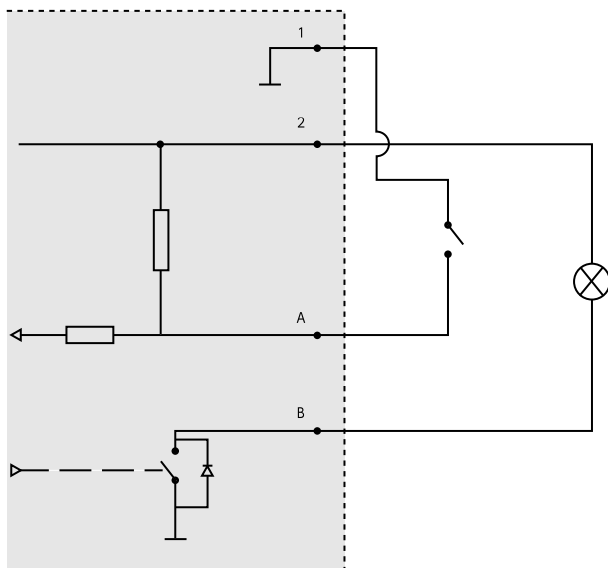
数字输出 - 用于连接继电器和 LED 等外部设备。已连接的设备可通过 VAPIX® 应用程序编程接口或在产品网页上进行激活。

数字输入 - 用于连接可在开路和闭路之间切换的设备, 例如 PIR 传感器、门/窗传感器和玻璃破碎探测器。

4 针接线端子



功能	针	备注	规格
0 V DC (-)	1	DC 接地	0 V DC
DC 输出	2	可用于为辅助设备供电。 注意: 此针只能用作电源输出。	12 V DC 最大负载 = 50 mA
可配置 (输入或输出)	3-4	数字输入 - 连接到针 1 以启用, 或保留浮动状态 (断开连接) 以停用。	0 至最大 30 V DC
		数字输出 - 启用时连接到针 1, 停用时保留浮动状态 (断开连接)。如果与电感负载 (如继电器) 一起使用, 二极管必须与负载并联连接, 以防止电压瞬变。	0 至最大 30 V DC, 开漏, 100 mA

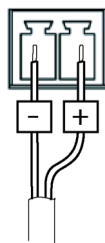


- 1 0 V DC (-)
- 2 DC 输出 12 V, 最大 50 mA
- A I/O 已配置为输入
- B I/O 已配置为输出

ZH

电源接口

2 针接线端子用于 DC 电源输入。使用符合安全超低压 (SELV) 规定, 且额定输出功率 ≤ 100 W 或额定输出电流 ≤ 5 A 的有限电源 (LPS)。



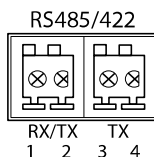
RS485/RS422 连接器

两个用于 RS485/RS422 串行接口的 2 针接线端子, 用于控制辅助设备 (如水平转动-垂直转动设备)。

AXIS P1367 Network Camera

串行端口可配置为支持：

- 两线 RS485 半双工
- 四线 RS485 全双工
- 两线 RS422 单工
- 四线 RS422 全双工点对点通信



功能	针	备注
RS485B alt RS485/422 RX(B)	1	适用于所有模式的 RX 对（用于两线 RS485 的组合 RX/TX）
RS485A alt RS485/422 RX(A)	2	
RS485/RS422 TX(B)	3	适用于 RS422 和四线 RS485 的 TX 对
RS485/RS422 TX(A)	4	

重要

推荐的最大电缆长度为 30 米（98 英尺）。

工作条件

安讯士产品适用于室内使用。

产品	温度	湿度
AXIS P1367	0 ° C 到 50 ° C (32 ° F 到 122 ° F)	10–85% RH (非冷凝)

功耗

注意

使用额定输出功率限制为 $\leq 100\text{W}$ 或额定输出电流限制为 $\leq 5\text{A}$ 的限制电源 (LPS)。

产品	以太网供电 (PoE) IEEE 802.3af/802.3at 1 型 3 类	DC, 8–28 V DC
AXIS P1367	最大 8.9 W 标准 5.0 W	最大 8.8 W 标准 5.0 W

安全信息

危险等级

▲危险

表示如果不避免则会导致死亡或严重伤害的危险情况。

▲警告

表示如果不避免则可能导致死亡或严重伤害的危险情况。

▲小心

表示如果不避免则可能导致轻微或中度伤害的危险情况。

注意

表示如果不避免则可能导致财产损失的情况。

其他消息等级

重要

表示产品正常工作所必需的重要信息。

备注

表示有助于充分利用产品的有用信息。

安全说明

警告

安讯士产品应由受过培训的专业人员进行安装，并遵守当地法律和法规。

注意

- 使用安讯士产品时应遵守当地法律和法规。
- 安讯士推荐使用屏蔽网络电缆 (STP) CAT5 或更高版本。
- 要在室外或类似环境中使用安讯士产品，应将该产品安装在获得批准的室外防护罩中。
- 在干燥通风的环境中存放安讯士产品。
- 避免将安讯士产品暴露在冲击或重压下。
- 请勿将本产品安装在不稳定的立杆、支架、表面或墙壁上。
- 安装安讯士产品时，仅使用适用的工具。使用电动工具过度施力可能导致产品损坏。
- 请勿使用化学品、腐蚀剂或气雾剂。
- 使用蘸纯净水的干净布进行清洁。
- 仅使用符合产品技术规格的附件。这些附件可由安讯士或第三方提供。安讯士推荐使用与产品兼容的安讯士电源设备。
- 仅使用安讯士提供或推荐的备件。
- 请勿尝试自行维修产品。有关服务事项，请联系安讯士支持部门或安讯士经销商。

运输

注意

- 安讯士产品运输途中，应使用其原包装或等效包装，以防对产品造成损坏。

电池

安讯士产品使用 3.0 V CR2032 锂电池作为其内部实时时钟 (RTC) 的电源。在正常情况下，此电池将持续至少五年。

低电池电量会影响 RTC 的工作，从而导致其在每次通电时重置。当电池需要更换时，产品的服务器报告中将显示一条日志消息。有关服务报告的更多信息，请参见产品的设置页面或与安讯士支持部门联系。

除非必要，否则不应更换电池，但如果确实需要更换电池，请通过 www.axis.com/support 与安讯士支持部门联系以获取帮助。

3.0 V 纽扣锂电池包含 1,2-二甲氧基乙烷 (EGDME)，CAS 编码为 110-71-4。

警告

- 如果未正确更换电池，则存在爆炸危险。
- 仅可使用相同电池或安讯士推荐的电池进行更换。
- 根据当地法规或电池制造商的说明处理废电池。

