

AXIS A1001 Network Door Controller

Installation Guide

English

EN

France: Français

FR

Deutschland: Deutsch

DE

Italia: Italiano

IT

España: Español

ES

Liability

Every care has been taken in the preparation of this document. Please inform your local Axis office of any inaccuracies or omissions. Axis Communications AB cannot be held responsible for any technical or typographical errors and reserves the right to make changes to the product and manuals without prior notice. Axis Communications AB makes no warranty of any kind with regard to the material contained within this document, including, but not limited to, the implied warranties of merchantability and fitness for a particular purpose. Axis Communications AB shall not be liable nor responsible for incidental or consequential damages in connection with the furnishing, performance or use of this material. This product is only to be used for its intended purpose.

Intellectual property rights

Axis AB has intellectual property rights relating to technology embodied in the product described in this document. In particular, and without limitation, these intellectual property rights may include one or more of the patents listed at axis.com/patent and one or more additional patents or pending patent applications in the US and other countries.

This product contains source code copyright Apple Computer, Inc., under the terms of Apple Public Source License 2.0 (see opensource.apple.com/apsl). The source code is available from developer.apple.com/bonjour/

Equipment modifications

This equipment must be installed and used in strict accordance with the instructions given in the user documentation. This equipment contains no user-serviceable components. Unauthorized equipment changes or modifications will invalidate all applicable regulatory certifications and approvals.

Trademark acknowledgements

AXIS COMMUNICATIONS, AXIS and VAPIX are registered trademarks or trademark applications of Axis AB in various jurisdictions. All other company names and products are trademarks or registered trademarks of their respective companies.

Assa and Aperio are trademarks or registered trademarks of ASSA ABLOY AB.

SimonsVoss and SmartIntego are trademarks or registered trademarks belonging to SimonsVoss Technologies GmbH
HID, HID Global, the HID Blue Brick logo, HID Mobile Access, iCLASS SE, Seos, Prox, and Secure Identity Services are trademarks or registered trademarks of HID Global in the U.S. and/or other countries.

Network Time Protocol Version 4 Distribution is copyright of University of Delaware – © University of Delaware 1992–2011. The following copyright notice applies to all files collectively called the Network Time Protocol Version 4 Distribution. Unless specifically declared otherwise in an individual file, this notice applies as if the text was explicitly included in the file. Permission to use, copy, modify, and distribute this software and its documentation for any purpose with or without fee is hereby granted, provided that the above copyright notice appears in all copies and that both the copyright notice and this permission notice appear in supporting documentation, and that the name University of Delaware not be used in advertising or pertaining to distribution of the software without specific, written prior permission. The University of Delaware makes no representations about the suitability

this software for any purpose. It is provided "as is" without express or implied warranty.

Support

Should you require any technical assistance, please contact your Axis reseller. If your questions cannot be answered immediately, your reseller will forward your queries through the appropriate channels to ensure a rapid response. If you are connected to the Internet, you can:

- download user documentation and software updates
- find answers to resolved problems in the FAQ database, search by product, category, or phrase
- report problems to Axis support staff by logging in to your private support area
- chat with Axis support staff
- visit Axis Support at axis.com/support

Learn more!

Visit Axis learning center axis.com/academy for useful trainings, webinars, tutorials and guides.

Regulatory information

Europe



This product complies with the applicable CE marking directives and harmonized standards:

- Electromagnetic Compatibility (EMC) Directive 2014/30/EU. See *Electromagnetic compatibility (EMC) on page 4.*
- Low Voltage Directive (LVD) 2014/35/EU. See *Safety on page 5.*
- Restriction of Hazardous Substances (RoHS) Directive 2011/65/EU, including any amendments, updates or replacements. See *Disposal and recycling on page 5.*

A copy of the original declaration of conformity may be obtained from Axis Communications AB. See *Contact information on page 5.*

Electromagnetic compatibility (EMC)

This equipment has been designed and tested to fulfill applicable standards for:

- Radio frequency emission when installed according to the instructions and used in its intended environment.
- Immunity to electrical and electromagnetic phenomena when installed according to the instructions and used in its intended environment.

USA

This equipment has been tested using a shielded network cable (STP) and found to comply with the limits for a Class B digital device, pursuant to part 15 of the FCC Rules. These limits are designed to provide reasonable protection against harmful interference in a residential installation. This equipment generates, uses and can radiate radio frequency energy and, if not installed and used in accordance with the instructions, may cause harmful interference to radio communications. However, there is no guarantee that interference will not occur in a particular installation. If this equipment does cause harmful interference to radio or television reception, which can be determined by turning the equipment off and on, the user is encouraged to try to correct the interference by one or more of the following measures:

- Reorient or relocate the receiving antenna.
- Increase the separation between the equipment and receiver.
- Connect the equipment into an outlet on a circuit different from that to which the receiver is connected.

- Consult the dealer or an experienced radio/TV technician for help.

The product shall be connected using a shielded network cable (STP) that is properly grounded.

Canada

This digital apparatus complies with CAN ICES-3 (Class B). The product shall be connected using a shielded network cable (STP) that is properly grounded. Cet appareil numérique est conforme à la norme CAN NMB-3 (classe B). Le produit doit être connecté à l'aide d'un câble réseau blindé (STP) qui est correctement mis à la terre.

Europe

This digital equipment fulfills the requirements for RF emission according to the Class B limit of EN 55022. The product shall be connected using a shielded network cable (STP) that is properly grounded.

Australia/New Zealand

This digital equipment fulfills the requirements for RF emission according to the Class B limit of AS/NZS CISPR 22. The product shall be connected using a shielded network cable (STP) that is properly grounded.

Japan

この装置は、クラスB情報技術装置です。この装置は、家庭環境で使用することを目的としていますが、この装置がラジオやテレビジョン受信機に近接して使用されると、受信障害を引き起こすことがあります。取扱説明書に従って正しい取り扱いをして下さい。本製品は、シールドネットワークケーブル(STP)を使用して接続してください。また適切に接地してください。

Safety

This product complies with IEC/EN 60950-1, Safety of Information Technology Equipment.

If its connecting cables are routed outdoors, the product shall be grounded either through a shielded network cable (STP) or other appropriate method.

The power supply used with this product shall fulfill one of the following requirements:

- Safety Extra Low Voltage (SELV) according to clause 2.2 of IEC/EN/UL 60950-1 and Limited Power Source (LPS) according to clause 2.5 of IEC/EN/UL 60950-1 or CEC/NEC Class 2 source of supply as defined in the Canadian Electrical Code, CSA C22.1 and National Electrical Code, ANSI/NFPA 70
- Class 1 electrical energy source (ES1) and Class 2 power source (PS2) rated output power limited to ≤ 100 W according to IEC/EN/UL 62368-1

Disposal and recycling

When this product has reached the end of its useful life, dispose of it according to local laws and regulations. For information about your nearest designated collection point, contact your local authority responsible for waste disposal. In accordance with local legislation, penalties may be applicable for incorrect disposal of this waste.

Europe



This symbol means that the product shall not be disposed of together with household or commercial waste. Directive 2012/19/EU on waste electrical and electronic equipment (WEEE) is applicable in the European Union member states. To prevent potential harm to human health and the environment, the product must be disposed of in an approved and environmentally safe recycling process. For information about your nearest designated collection

point, contact your local authority responsible for waste disposal. Businesses should contact the product supplier for information about how to dispose of this product correctly.

This product complies with the requirements of Directive 2011/65/EU on the restriction of the use of certain hazardous substances in electrical and electronic equipment (RoHS).

China



This product complies with the requirements of SJ/T 11364-2014, Marking for the restriction of hazardous substances in electrical and electronic products.

有毒有害物质或元素						
部件名称	铅 (Pb)	汞 (Hg)	镉 (Cd)	六价铬 (Cr-VI)	多溴联苯 (PB-B)	多溴二苯醚 (PB-DE)
电气安装部分	X	0	0	0	0	0
<p>0: 表示该有毒有害物质在该部件所有均质材料中的含量均在GB/T 26572标准规定的限量要求以下。</p> <p>X: 表示该有毒有害物质至少在该部件的某一均质材料中的含量超出GB/T 26572标准规定的限量要求。</p>						

Contact information

Axis Communications AB
Emdalavägen 14
223 69 Lund
Sweden

Tel: +46 46 272 18 00

Fax: +46 46 13 61 30

axis.com

Supported Readers

This list of supported readers is subject to change without notice. Contact your Axis reseller for information about supported readers.

This product is compatible with UL Listed Wiegand access control readers

This product is compatible with the following RS485 access control readers:

AXIS A4011-E Reader

HID iCLASS® RW100: 6101CG40000, 6101CGM0000, 6101CK40000, 6101CK40002, 6101CK40100, 6101CK40300, 6101CKM0000, 6101CKM0002, 6101CKM0203; RW300: 6111CG40000, 6111CG400C0, 6111CGM0000, 6111CK40000, 6111CK4000Z, 6111CKM0000; RW400: 6121CG40000, 6121CGM0000, 6121CK40000, 6121CK40003, 6121CK40007-G3.0, 6121CK4000D-G3.0, 6121CKM0000; R40: 6122CKP00P0, 6122CKP05P0, 6122CKP06P0; RWK400: 6131CG4020000, 6131CK4000000, 6131CK4000014,

6131CK4000300, 6131CK4020000, 6131CKM000000,
6131CKM000214; RK40: 6132BKP00Q709-G3.0,
6132CKP000009, 6132CKP000011, 6132CKP000700-G3.0,
6132CKP000709-G3.0, 6132CKP001009, 6132CKP001011,
6132CKP00P000, 6132CKP00P009, 6132CKP00P709-G3.0,
6132CKP00Q709-G3.0, 6132CKP030014, 6132CKP060514,
6132CKP06P009, 6132CKP06P609, 6132CKP070209;
RW150: 6141CG40000, 6141CGM0000, 6141CK40000,
6141CKM0000; R15: 6142CKP000Z, 6142CKP00PO,
6142CKP0100; RWKL550: 6171BK4000000,
6171BK4000009, 6171BK4000014, 6171BK4000214,
6171BK4000500, 6171BK4040Z14, 6171BK4060000,
6171BK4060209, 6171BK4060Z09, 6171BK4061000,
6171BKM000000, 6171BKM000200, 6171BKM000300,
6171BKM040400; RWKLB575: 6181BK4000000,
6181BK4000009, 6181BK4000014, 6181BK4000022,
6181BK406C009;

HID Smartid®: 8031DSAP

HID pivClass® R10-H: 900LHRNAK00000,
900LHRTAK00000, 900NHRNAK00000, 900NHRTAK00000,
900PHRNAK00000, 900PHRTAK00000, 910LHRNAK00000,
910LHRTAK00000, 910NHRNAK00000, 910NHRTAK00000,
910PHRNAK00000, 910PHRTAK00000, 920LHRNAK00000,
920LHRTAK00000, 920NHRNAK00000, 920NHRTAK00000,
920PHRNAK00000, 920PHRTAK00000, 921LHRNAK00000,
921LHRTAK00000, 921NHRNAK00000, 921NHRTAK00000,
921PHRNAK00000, 921PHRTAK00000; RPKCL40-P:
923LPRNAK00000, 923LPRTAK00000, 923NPRTAK00000,
923PPRNAK00000, 923PPRTAK00000

Aptiq™: M11, MTK15, MTMSK15, MT15, MTMS15

For information about which compatible RS485 access control readers have been verified by UL, see *Requirements for Compliance with UL294 6th Edition on page 7.*

Requirements for Compliance with UL294 6th Edition

This section contains information and instructions required for UL compliance. To make sure the installation is UL compliant, follow the instructions below in addition to the general information and instructions provided throughout this document. In cases where pieces of information contradict each other, the requirements for UL compliance always replace general information and instructions.

Supported readers

- Compatibility with the following RS485 readers has been verified by UL: HID iClass RK40, HID SmartID 8031 DSHM, and AptiqQ MTMSK15.

Safety instructions

- The Axis product shall be installed and serviced by a factory trained professional.
- The Axis product shall be installed within the protected premises (secured area).
- The Axis product shall be mounted indoors. Outdoor use has not been evaluated or approved by UL.
- All interconnecting devices shall be UL Listed and Class 2 low-voltage power limited.
- All wiring methods shall be performed in accordance with NFPA70, local codes and authorities having jurisdiction.
- When the Axis product has reached the end of its useful life, dispose of it according to local laws and regulations. The product should not be disposed of together with household or commercial waste. See *Disposal and recycling*.
- **Battery**
 - The 3.0 V lithium battery used by the Axis product is a UL Recognized component. (Type: BR2032, diameter: 20 mm (0.78 in), manufacturers: Rayovac, Panasonic). The following battery type is also a UL Recognized component: Type CR2032, manufacturers: Fuji, Maxell, Renata, Varta, Panasonic, JHIH
 - Users shall not replace the battery. If the battery needs replacing, a factory trained service professional shall contact Axis support at www.axis.com/techsup for assistance.
 - Used batteries shall be disposed of according to local laws and regulations, which may vary from state to state. Waste BR/CR lithium cells are neither listed nor exempted from the USEPA hazardous waste regulations. Waste lithium batteries can be considered reactive hazardous waste if there is a significant amount of unreacted, or unconsumed lithium remaining. For information about how to dispose of used lithium batteries, contact your local authority for waste disposal.

Specifications

- **Operating conditions**
 - Temperatures 0 °C to 50°C (32 °F to 122 °F).

AXIS A1001 Network Door Controller

- **Wire area**
 - UL Listed or R/C AWM wires that have an conductor gauge range of AWG 22–14 shall be used.
 - The minimum conductor gauge for connection between the power sourcing equipment (PSE) or power injector and the powered device (PD) is 26 AWG.
- **Connectors**
 - This product is not intended for outside wiring as covered by Article 800 in the National Electrical Code, NFPA 70.
 - Power connector – For UL security applications, the product shall be powered by a UL 294 Listed or UL 603 Listed Class 2 low-voltage power limited power supply that is capable of 4 hours of standby power.
 - Network connector – Power over Ethernet (PoE) shall be supplied by a UL 294 Listed Class 2 power limited injector that provides 44–57 V DC, 15.4 W and 4 hours of standby power. Compliance with IEEE 802.3 (at or af) specifications has not been verified as part of UL 294/B.
 - Tampering alarm pin header – To comply with UL 294/7.2.1 (Enclosure), the tampering alarm shall be connected to a sound alarm.
- **System considerations**
 - The Axis product, whether it is a standalone door controller or a system of door controllers, shall not impair the intended operation of the panic hardware used in conjunction with it.
- **Wall and ceiling mount**
 - If using a junction box to mount the Axis product, the junction box shall be UL Listed.
- **Assign an IP address**
 - The functionality of AXIS Device Manager, see the User Manual, has not been evaluated by UL.
- **Maintenance instructions**
 - For maintenance instructions (some steps require access to the product's webpages), see the User Manual. For information about how to configure the Axis product using the product's webpages (AXIS Entry Manager), see the User Manual.
- **Further information**
 - Firmware version: Door Controller, Model A1001 – 1.20.2

Safety information

Hazard levels

▲ DANGER

Indicates a hazardous situation which, if not avoided, will result in death or serious injury.

▲ WARNING

Indicates a hazardous situation which, if not avoided, could result in death or serious injury.

▲ CAUTION

Indicates a hazardous situation which, if not avoided, could result in minor or moderate injury.

NOTICE

Indicates a situation which, if not avoided, could result in damage to property.

Other message levels

Important

Indicates significant information which is essential for the product to function correctly.

Note

Indicates useful information which helps in getting the most out of the product.

AXIS A1001 Network Door Controller

Safety instructions

⚠ WARNING

The Axis product shall be installed by a trained professional, and in compliance with local laws and regulations.

NOTICE

- The Axis product shall be used in compliance with local laws and regulations.
- Axis recommends using a shielded network cable (STP) CAT5 or higher.
- To use the Axis product outdoors, or in similar environments, it shall be installed in an approved outdoor housing.
- Store the Axis product in a dry and ventilated environment.
- Avoid exposing the Axis product to shocks or heavy pressure.
- Do not install the product on unstable poles, brackets, surfaces or walls.
- Use only applicable tools when installing the Axis product. Using excessive force with power tools could cause damage to the product.
- Do not use chemicals, caustic agents, or aerosol cleaners.
- Use a clean cloth dampened with pure water for cleaning.
- Use only accessories that comply with the technical specification of your product. These can be provided by Axis or a third party. Axis recommends using Axis power source equipment compatible with your product.
- Use only spare parts provided by or recommended by Axis.
- Do not attempt to repair the product yourself. Contact Axis support or your Axis reseller for service matters.
- The power supply shall be plugged in to a socket outlet installed near the product and shall be easily accessible.
- Use a limited power source (LPS) with either a rated output power limited to ≤ 100 W or a rated output current limited to ≤ 5 A.

Transportation

NOTICE

- When transporting the Axis product, use the original packaging or equivalent to prevent damage to the product.

Battery

The Axis product uses a 3.0 V CR2032 lithium battery as the power supply for its internal real-time clock (RTC). Under normal conditions this battery will last for a minimum of five years.

Low battery power affects the operation of the RTC, causing it to reset at every power-up. When the battery needs replacing, a log message will appear in the product's server report. For more information about the server report, see the product's web page or contact Axis support.

Lithium coin cell 3.0 V batteries contain 1,2-dimethoxyethane; ethylene glycol dimethyl ether (EGDME), CAS no. 110-71-4.

⚠WARNING

- Risk of explosion if the battery is incorrectly replaced.
- The battery should be replaced with an identical battery only.
- Used batteries should be disposed of according to local regulations or the battery manufacturer's instructions.

Installation Guide - Full Reference

This full reference installation guide provides instructions for how to install AXIS A1001 Network Door Controller on your network.

- For a quick reference guide, see the printed **AXIS A1001 Installation Guide – Quick Reference** that is included in the package contents. The quick reference guide is also available on www.axis.com
- For other aspects of using the product, see the **AXIS A1001 User Manual** available on www.axis.com

Installation Steps

1. Make sure the package contents, tools and other materials necessary for the installation are in order. See *page 13*.
2. Study the hardware overview. See *page 15*.
3. Study the specifications. See *page 20*.
4. Install the hardware. See *page 30*.
5. Access the product. See *Access the Product on page 37*.

Package contents

- AXIS A1001 Network Door Controller
- Cable tie (4x)
- Cover screw
- 6-pin plug connector (5x) (plugged into terminal connectors)
 - Reader I/O (blue)
 - Reader I/O (red)
 - Reader data (white)
 - Reader data (yellow)
 - Power & Relay (orange)
- 4-pin plug connector (5x) (plugged into terminal connectors)
 - Audio (white)
 - Auxiliary (yellow)
 - Door in (blue)
 - Door in (red)
 - Power lock (orange)
- 2-pin plug connector (plugged into terminal connector)
 - Power (black)

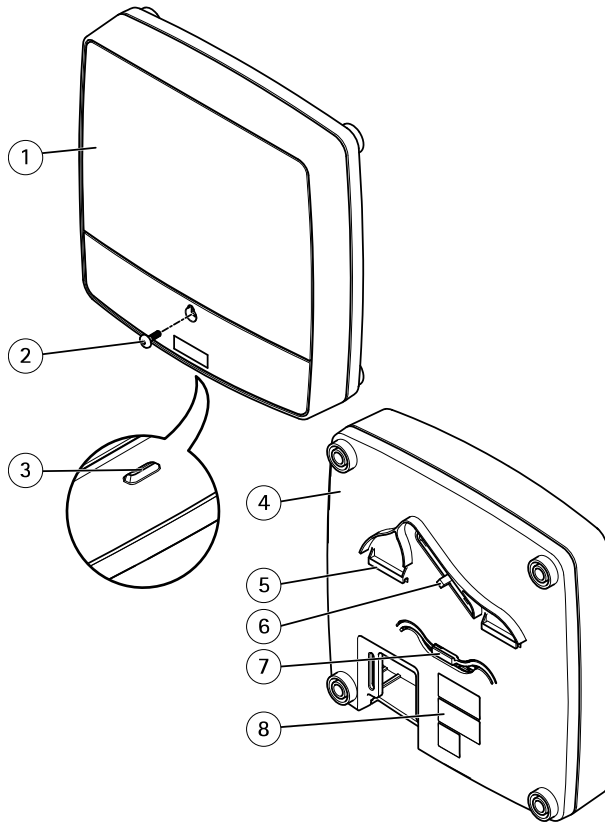
AXIS A1001 Network Door Controller

- Printed materials
 - AXIS A1001 Installation Guide – Quick Reference
 - Extra serial number label (2x)
 - AVHS Authentication key

Recommended Tools

- Drill – if mounting on wall or ceiling
- Screwdriver – if mounting on wall or ceiling
- Slotted screwdriver – for opening the cover
- Torx screwdriver (T10) – for tightening the cover screw
- Wire stripping tool

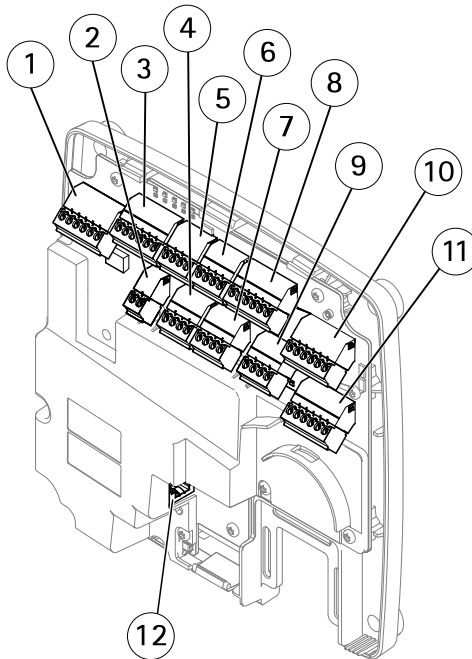
Hardware overview



Front and back:

- 1 Cover
- 2 Cover screw
- 3 Cover removal slot
- 4 Base
- 5 DIN clip – upper
- 6 Tampering alarm switch – back
- 7 DIN clip – lower
- 8 Part number (P/N) & Serial number (S/N)

AXIS A1001 Network Door Controller



I/O interface:

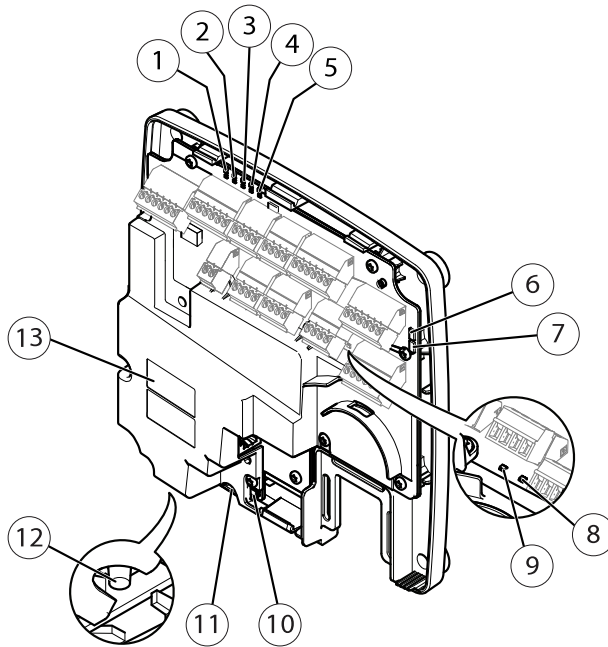
- 1 Reader data connector (READER DATA 1)
- 10 Reader data connector (READER DATA 2)
- 3 Reader I/O connector (READER I/O 1)
- 8 Reader I/O connector (READER I/O 2)
- 4 Door connector (DOOR IN 1)
- 7 Door connector (DOOR IN 2)
- 6 Auxiliary connector (AUX)
- 5 Audio connector (AUDIO) (not used)

External power inputs:

- 2 Power connector (DC IN)
- 12 Network connector (PoE)

Power outputs:

- 9 Power lock connector (LOCK)
- 11 Power & Relay connector (PWR, RELAY)



LED indicators, buttons and other hardware:

- 1 Power LED indicator
- 2 Status LED indicator
- 3 Network LED indicator
- 4 Reader 2 LED indicator (not used)
- 5 Reader 1 LED indicator (not used)
- 6 Tampering alarm pin header – front (TF)
- 7 Tampering alarm pin header – back (TB)
- 8 Lock LED indicator
- 9 Lock LED indicator
- 10 Tampering alarm sensor – front
- 11 SD card slot (microSDHC) (not used)
- 12 Control button
- 13 Part number (P/N) & Serial number (S/N)

AXIS A1001 Network Door Controller

LED Indicators

LED	Color	Indication
Network	Green	Steady for connection to a 100 MBit/s network. Flashes for network activity.
	Amber	Steady for connection to a 10 MBit/s network. Flashes for network activity.
	Unlit	No network connection.
Status	Green	Steady green for normal operation.
	Amber	Steady during startup and when restoring settings.
	Red	Slow flash for failed upgrade.
Power	Green	Normal operation.
	Amber	Flashes green/amber during firmware upgrade.
Lock	Green	Steady when not energized.
	Red	Steady when energized.
	Unlit	Floating.

Note

- The Status LED can be configured to flash while an event is active.
- The Status LED can be configured to flash for identifying the unit. Go to **Setup > Additional Controller Configuration > System Options > Maintenance**.

Connectors and Buttons

For specifications and operating conditions, see *page 20*.

I/O Interface

Reader Data Connectors

Two 6-pin terminal blocks supporting RS485 and Wiegand protocols for communication with the reader. For specifications, see *page 22*.

Reader I/O Connectors

Two 6-pin terminal blocks for reader input and output. In addition to the 0 V DC reference point and power (DC output), the reader I/O connector provides the interface to:

- Digital input – For connecting, for example, reader tampering alarms.
- Digital output – For connecting, for example, reader beepers and reader LEDs.

For specifications, see *page 23*.

Door Connectors

Two 4-pin terminal blocks for connecting door monitoring devices and request to exit (REX) devices. For specifications, see *page 24*.

Auxiliary Connector

4-pin configurable I/O terminal block. Use with external devices, in combination with, for example tampering alarms, event triggering and alarm notifications. In addition to the 0 V DC reference point and power (DC output), the auxiliary connector provides the interface to:

- Digital input – An alarm input for connecting devices that can toggle between an open and closed circuit, for example PIR sensors or glass break detectors.
- Digital output – For connecting external devices such as burglar alarms, sirens or lights. Connected devices can be activated by the VAPIX® application programming interface or by an action rule.

For specifications, see *page 25*.

External Power Inputs

NOTICE

The product shall be connected using a shielded network cable (STP). All cables connecting the product to the network shall be intended for their specific use. Make sure that the network devices are installed in accordance with the manufacturer's instructions. For information about regulatory requirements, see *Electromagnetic compatibility (EMC) on page 4*.

Power Connector

2-pin terminal block for DC power input. Use a Safety Extra Low Voltage (SELV) compliant limited power source (LPS) with either a rated output power limited to ≤ 100 W or a rated output current limited to ≤ 5 A. For specifications, see *page 25*.

Network Connector

RJ45 Ethernet connector. Supports Power over Ethernet (PoE). For specifications, see *page 26*.

Power Outputs

Power Lock Connector

4-pin terminal block for connecting one or two locks. The lock connector can also be used to power external devices. For specifications, see *page 26*.

Power & Relay Connector

6-pin terminal block for connecting power and the door controller's relay to external devices such as locks and sensors. For specifications, see *page 27*.

AXIS A1001 Network Door Controller

Buttons and Other Hardware

Tampering Alarm Pin Header

Two 2-pin headers for disconnecting the front and back tampering alarms. For specifications, see *page 27*.

Control Button

The control button is used for:

- Resetting the product to factory default settings. See *page 45*.
- Connecting to an AXIS Video Hosting System service or AXIS Internet Dynamic DNS Service. For more information about these services, see the User Manual.

Specifications

Operating Conditions

The Axis product is intended for indoor use.

Classification	Temperature	Humidity
IEC 60721-4-3 Class 3K3, 3M3	0 °C to 50 °C (32 °F to 122 °F)	20–85% RH (non-condensing)

Power Consumption

NOTICE

Use a Safety Extra Low Voltage (SELV) compliant limited power source (LPS) with either a rated output power limited to ≤ 100 W or a rated output current limited to ≤ 5 A.

Power supply	Maximum load on outputs
Power over Ethernet IEEE 802.3af/802.3at Type 1 Class 3, 44–57 V DC	7.5 W
10–30 V DC, max 26 W	14 W

Power Output Conversion (W to A)

If the device connecting to the Axis product only has an ampere (A) rating, the following method can be used for conversion to watts (W).

The total maximum output load of the Axis product depends on the power source:

AXIS A1001 Network Door Controller

EN

Power source	Total maximum load on outputs
Power over Ethernet IEEE 802.3af/802.3at Type 1 Class 3	7.5 W
10–30 V DC	14 W

The voltage on the Axis product's power outputs is 12 V DC (except for the Auxiliary Connector which has a voltage of 3.3 V DC). If your connecting device has a maximum ampere rating of for example 0.3 A, the following conversion gives the power in watts (W):

Power (W) = Voltage (V) x Current (I)

Power = 12 x 0.3 = 3.6 W

The following table shows the available power after connection of the 0.3 A device in the example.

Power source	Available power
Power over Ethernet IEEE 802.3af/802.3at Type 1 Class 3	7.5 – 3.6 = 3.9 W
10–30 V DC	14 – 3.6 = 10.4 W

The DC output on the following connectors are considered as power outputs:

- Power Lock Connector
- Power & Relay Connector
- Reader I/O Connector
- Auxiliary Connector

NOTICE

The power output of the auxiliary connector has a 3.3 V DC voltage rating.

For connector specifications, see *Power Connector on page 25* and *Network Connector on page 26*.

Performance Levels for Access Control

This section contains performance level information required for UL 294 compliance.

Feature	Level
Destructive Attack Test	I
Line Security	I

AXIS A1001 Network Door Controller

Endurance	IV
Standby Power	I

Wire Area

NOTICE

Each wire shall have an conductor cross-sectional area that corresponds to an conductor gauge range of AWG 28–16 (CSA) or AWG 22–14 (cUL/UL). Select cables in compliance with your local regulations.

AWG	Diameter mm (in)	Area mm ²
28–16	0.321–1.29 (0.0126–0.0508)	0.0810–1.31
22–14	0.644–1.63 (0.0253–0.0641)	0.326–2.08

Connectors

For information about the connectors' positions, see *Hardware overview on page 15*.

For connection diagrams and information about the hardware pin chart generated through the hardware configuration, see *Connection Diagrams on page 28* and *Configure the hardware on page 42*.

The following section describes the connectors' technical specifications.

Reader Data Connector

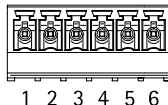
6-pin terminal block supporting RS485 and Wiegand protocols for communication with the reader.

The RS485 ports support:

- Two-wire RS485 half duplex
- Four-wire RS485 full duplex

The Wiegand ports support:

- Two-wire Wiegand



Function		Pin	Notes
RS485	A-	1	For full duplex RS485 For half duplex RS485
	B+	2	
RS485	A-	3	For full duplex RS485 For half duplex RS485
	B+	4	
Wiegand	D0 (Data 0)	5	For Wiegand
	D1 (Data 1)	6	

Important

The RS485 ports have a fixed baudrate of 9600 Bit/s.

Important

The recommended maximum cable length is 30 m (98.4 ft).

Important

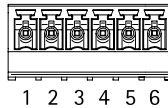
The output circuits in this section are Class 2 power limited.

Reader I/O Connector

6-pin terminal block for:

- Auxiliary power (DC output)
- Digital Input
- Digital Output
- 0 V DC (-)

Pin 3 on the reader I/O connectors can be supervised. If the connection is interrupted, an event is activated. To use supervised inputs, install end of line resistors. Use the connection diagram for supervised inputs. See *page 29*.



Function	Pin	Notes	Specifications
0 V DC (-)	1		0 V DC
DC output	2	For powering auxiliary equipment. Note: This pin can only be used as power out.	12 V DC Max load = 300 mA

AXIS A1001 Network Door Controller

Configurable (Input or Output)	3-6	Digital input – Connect to pin 1 to activate, or leave floating (unconnected) to deactivate.	0 to max 40 V DC
		Digital output – Connect to pin 1 to activate, or leave floating (unconnected) to deactivate. If used with an inductive load, e.g. a relay, a diode must be connected in parallel with the load, for protection against voltage transients.	0 to max 40 V DC, open drain, 100 mA

Important

The recommended maximum cable length is 30 m (98.4 ft).

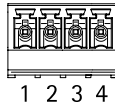
Important

The output circuits in this section are Class 2 power limited.

Door Connector

Two 4-pin terminal blocks for door monitoring devices (digital input).

All door input pins can be supervised. If the connection is interrupted, an alarm is triggered. To use supervised inputs, install end of line resistors. Use the connection diagram for supervised inputs. See *page 29*.



Function	Pin	Notes	Specifications
0 V DC (-)	1, 3		0 V DC
Input	2, 4	For communicating with door monitor. Digital input – Connect to pin 1 or 3 respectively to activate, or leave floating (unconnected) to deactivate. Note: This pin can only be used for input.	0 to max 40 V DC

Important

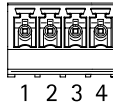
The recommended maximum cable length is 30 m (98.4 ft).

Auxiliary Connector

4-pin configurable I/O terminal block for:

- Auxiliary power (DC output)
- Digital Input
- Digital Output
- 0 V DC (-)

For an example connection diagram, see *Connection Diagrams* on page 28.



Function	Pin	Notes	Specifications
0 V DC (-)	1		0 V DC
DC output	2	For powering auxiliary equipment. Note: This pin can only be used as power out.	3.3 V DC Max load = 100 mA
Configurable (Input or Output)	3-4	Digital input – Connect to pin 1 to activate, or leave floating (unconnected) to deactivate.	0 to max 40 V DC
		Digital output – Connect to pin 1 to activate, or leave floating (unconnected) to deactivate. If used with an inductive load, e.g. a relay, a diode must be connected in parallel with the load, for protection against voltage transients.	0 to max 40 V DC, open drain, 100 mA

Important

The recommended maximum cable length is 30 m (98.4 ft).

Important

The output circuits in this section are Class 2 power limited.

Power Connector

2-pin terminal block for DC power input. Use a Safety Extra Low Voltage (SELV) compliant limited power source (LPS) with either a rated output power limited to ≤ 100 W or a rated output current limited to ≤ 5 A.

AXIS A1001 Network Door Controller



Function	Pin	Notes	Specifications
0 V DC (-)	1		0 V DC
DC input	2	For powering controller when not using Power over Ethernet. Note: This pin can only be used as power in.	10–30 V DC, max 26 W Max load on outputs = 14 W

Network Connector

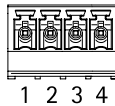
RJ45 Ethernet connector. Use Category 5e cables or higher.

Function	Specifications
Power and Ethernet	Power over Ethernet IEEE 802.3af/802.3at Type 1 Class 3, 44–57 V DC Max load on outputs = 7.5 W

Power lock connector

4-pin terminal block for powering one or two locks (DC output). The lock connector can also be used to power external devices.

Connect locks and loads to the pins according to the hardware pin chart generated through the hardware configuration.



Function	Pin	Notes	Specifications
0 V DC (-)	1, 3		0 V DC
0 V DC, floating, or 12 V DC	2, 4	For controlling up to two 12 V locks. Use the hardware pin chart. See <i>Configure the hardware on page 42</i> .	12 V DC Max total load = 500 mA

NOTICE

If the lock is non-polarized, we recommend you to add an external flyback diode.

Important

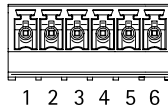
The output circuits in this section are Class 2 power limited.

Power & relay connector

6-pin terminal block with built-in relay for:

- External devices
- Auxiliary power (DC output)
- 0 V DC (-)

Connect locks and loads to the pins according to the hardware pin chart generated through the hardware configuration.



Function	Pin	Notes	Specifications
0 V DC (-)	1, 4		0 V DC
Relay	2-3	For connecting relay devices. Use the hardware pin chart. See <i>Configure the hardware on page 42</i> . The two relay pins are galvanically separated from the rest of the circuitry.	Max current = 700 mA Max voltage = +30 V DC
12 V DC	5	For powering auxiliary equipment. Note: This pin can only be used as power out.	Max voltage = +12 V DC Max load = 500 mA
24 V DC	6	Not used	

NOTICE

If the lock is non-polarized, we recommend you to add an external flyback diode.

Important

The output circuits in this section are Class 2 power limited.

Tampering Alarm Pin Header

Two 2-pin headers for bypassing:

AXIS A1001 Network Door Controller

- Back tampering alarm (TB)
- Front tampering alarm (TF)



Function	Pin	Notes
Back tampering alarm	1-2	To bypass the front and back tampering alarm simultaneously, connect jumpers between TB 1, TB 2 and TF 1, TF 2 respectively. Bypassing the tampering alarms means that the system will not identify any tampering attempts.
Front tampering alarm	1-2	

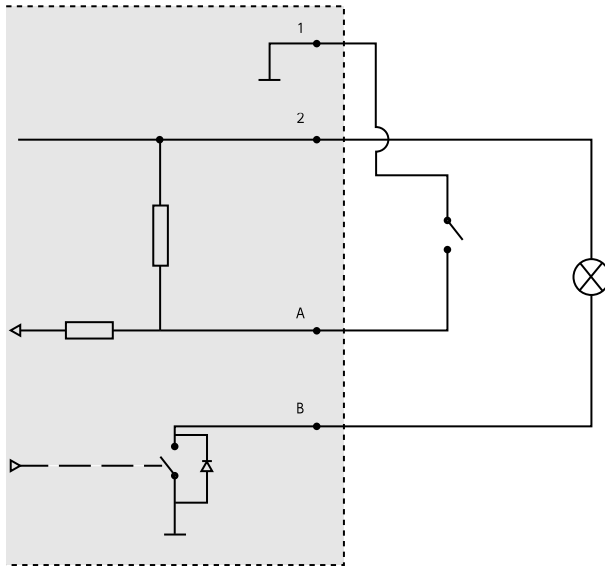
Note

Both the front and back tampering alarms are connected by default. The casing open trigger can be configured to perform an action if the door controller is opened or if the door controller is removed from the wall or ceiling. For information about how to configure alarms and events, see the User Manual.

Connection Diagrams

Connect devices according to the hardware pin chart generated through the hardware configuration. For more information about hardware configuration and the hardware pin chart, see *Configure the hardware on page 42*.

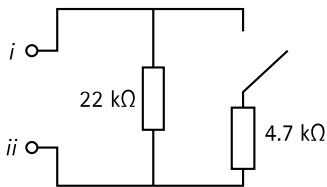
Auxiliary Connector



- 1 0 VDC (-)
- 2 DC output: 3.3 V, max 100 mA
- A I/O configured as input
- B I/O configured as output

Supervised Inputs

To use supervised inputs, install end of line resistors according to the diagram below.



- i Input
- ii 0 VDC (-)

AXIS A1001 Network Door Controller

Note

It is recommended to use twisted and shielded cables. Connect shielding to 0 V DC.

Install the hardware

⚠CAUTION

Never mount the Axis product while power is applied to the product. Always apply power at the end of the installation.

NOTICE

To protect the circuits against electrostatic discharge (ESD), use ESD protection when handling the product while the components and contacts are exposed.

Read all the instructions before installing the product.

- To configure the hardware, see *page 42*.
- To install the product on a wall (preferred) or ceiling, see *page 31*.
- To install the product on a DIN rail, see *page 32*.
- To connect the cables, see *page 33*.

System Considerations

The Axis product shall be installed within the secured area.

The Axis product, whether it is installed as a single door controller or in a system of door controllers, shall not limit or weaken the intended use of the devices connected to it.

The Axis product should be installed on a wall (preferred) or a ceiling, with or without a junction box. It can also be installed on a DIN rail.

System size

The Axis product can be connected to other Axis Network Door Controllers in a controller cluster that can handle up to 66 doors or wireless devices (within the cluster). Each Axis product can connect up to two wired doors or one wired door together with one wireless gateway. The amount of wireless locks configured to each gateway is dependent on the manufacturer.

Note

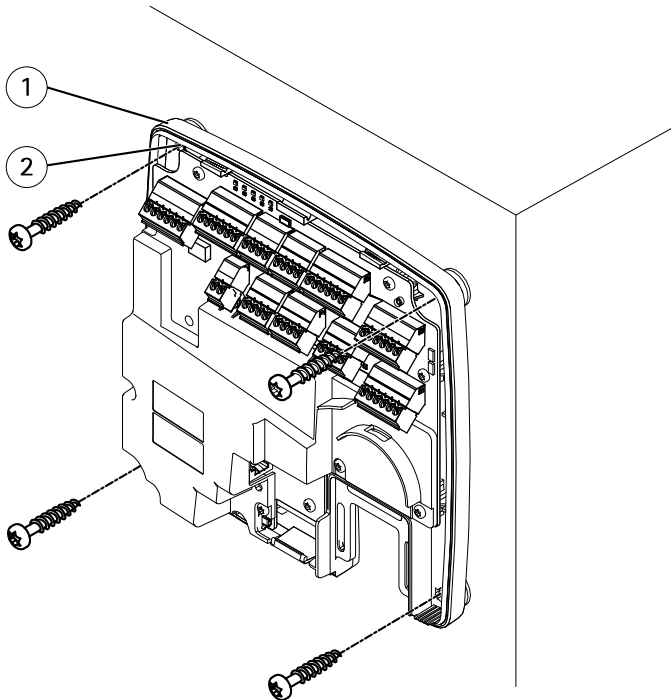
- Wireless locks are not sold and distributed by Axis Communications. For support and training related to wireless systems, contact relevant manufacturers' partner.
- The Axis product is considered standalone, and does not require constant connection to a computer for proper operation. The use of a connected computer is for local programming, downloading, and supplemental monitoring purposes only.

Wall and Ceiling Mount

NOTICE

If installing the door controller on a wall, make sure the cut-out for the cables is facing downward.

1. If using a junction box, install the junction box before installing the network door controller. For UL compliance, the junction box shall be UL Listed.
2. If required, remove the cover screw, insert a slotted screwdriver into the cover removal slot and remove the cover. See *Hardware overview on page 15*.
3. Make marks for the screw holes in the ceiling/wall, using the base as a template.
4. If required, drill holes for the screws.
5. Mount the base on the wall or ceiling. Make sure that the screws and plugs are appropriate for the material (e.g. wood, metal, sheet rock, stone).



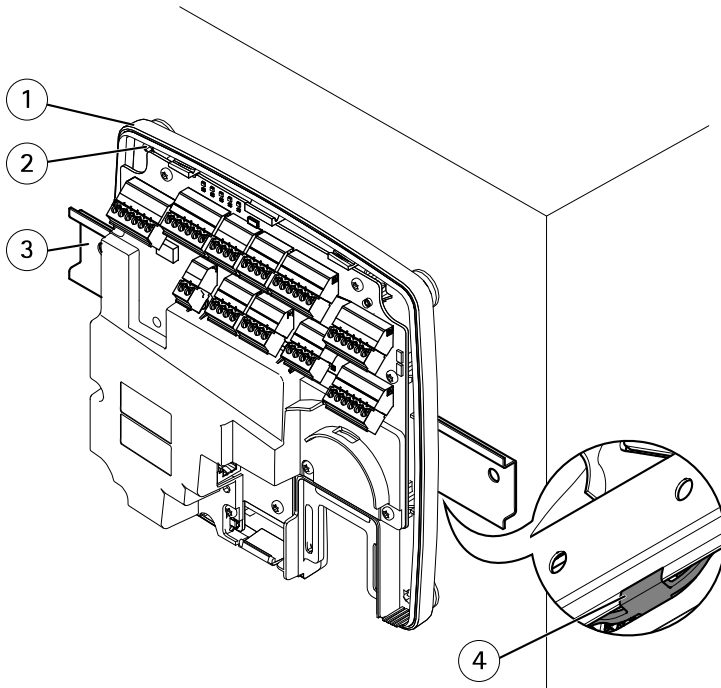
- 1 Base
- 2 Screw hole (4x)

6. Connect the cables. See *page 33*.

AXIS A1001 Network Door Controller

DIN Rail Mount

1. If required, install a DIN rail (not included).
2. If required, remove the cover screw, insert a slotted screwdriver into the cover removal slot and remove the cover. See *Hardware overview on page 15*.
3. Hook the lower DIN clip, which is flexible, onto the bottom of the DIN rail, tilting the base slightly forwards.
4. Lift the base so that the lower DIN clip reaches its bottommost position.
5. Tilt the base backwards so that it is parallel to the wall/ceiling.
6. Hook the upper DIN clip onto the top of the DIN rail by lowering the base.



- 1 Base
- 2 Screw hole (4x)
- 3 DIN rail
- 4 Lower Din clip

7. Secure the base using four screws. Make sure that the screws and plugs are appropriate for the material (e.g. wood, metal, sheet rock, stone). See *Wall and Ceiling Mount on page 31*.

Note

To prevent bending of the base, be careful not to tighten the screws too tight. Leave approximately 2.5 mm (0.1 in). If the base is bent, the cover will not close.

8. Connect the cables. See *page 33*.

Connect the Cables

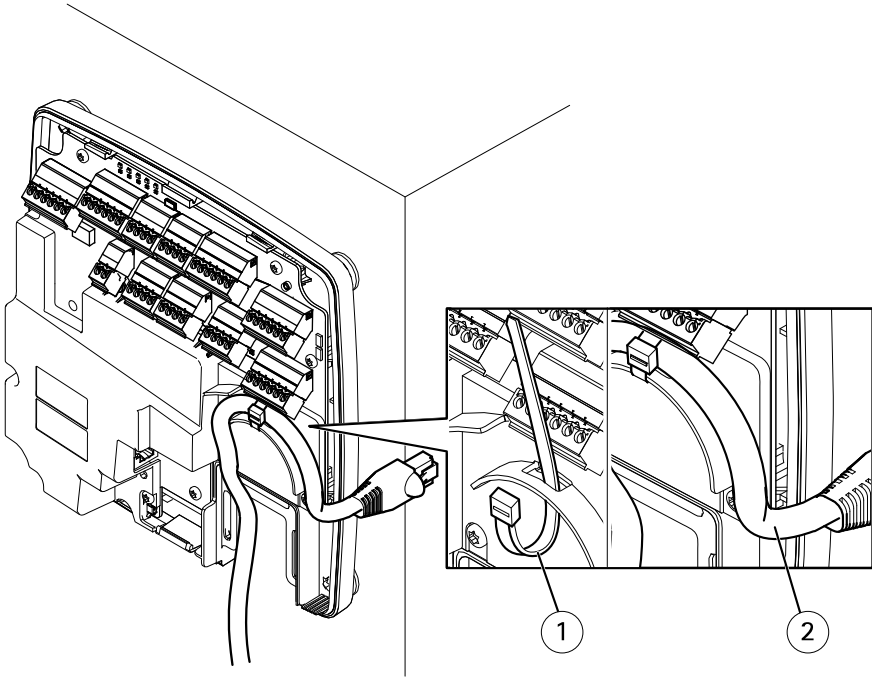
⚠ CAUTION

Disconnect power before connecting any wires to the Axis product. Never make connections while power is applied to the product.

NOTICE

- The product shall be connected using a shielded network cable (STP). All cables connecting the product to the network shall be intended for their specific use. Make sure that the network devices are installed in accordance with the manufacturer's instructions. For information about regulatory requirements, see *Regulatory information on page 4*.
 - If using Power over Ethernet, wait with connecting the network cable to the network until the all the other wires have been connected.
 - To allow for future maintenance, to avoid excessive strain on wires and connectors, and to avoid damage to conductor insulation, leave a service loop and make sure all cables and wires are properly supported and secured. Use the supplied cable ties.
 - To protect the circuits against electrostatic discharge (ESD), use ESD protection when connecting wires to the product.
1. Loop the network cable around the cable guide and connect the network cable to the network connector.
 2. Secure the network cable to the cable guide using one of the supplied cable ties.

AXIS A1001 Network Door Controller

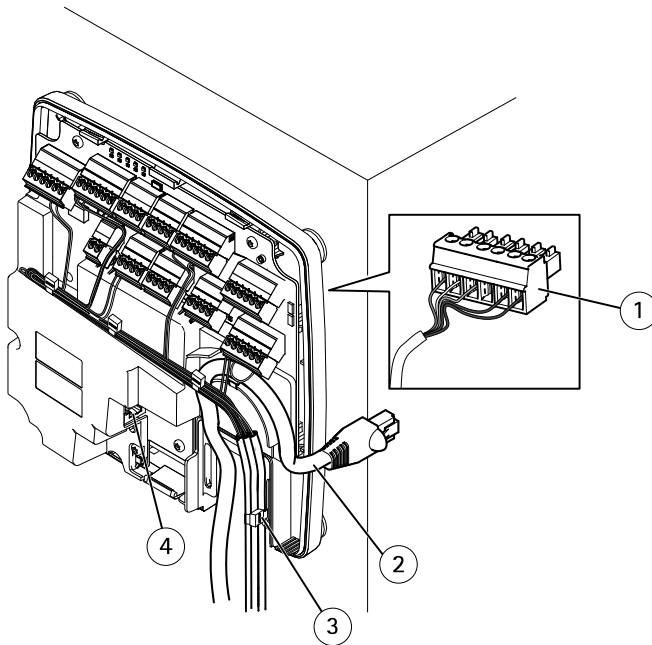


- 1 Cable tie
- 2 Network cable

3. Strip the cables and wires as required using a crimp tool.
4. Connect the wires between the door controller and the locks, doors and other devices. For more information about the connectors and their specifications, see *page 18* and *page 22*.

NOTICE

- Make sure all the wires are connected correctly. Incorrect wiring could cause damage to the product.
- Make sure to use wires that meet the requirements. For more information, see *Wire Area* on *page 22* and, for UL compliance, *Requirements for Compliance with UL294 6th Edition* on *page 7*.



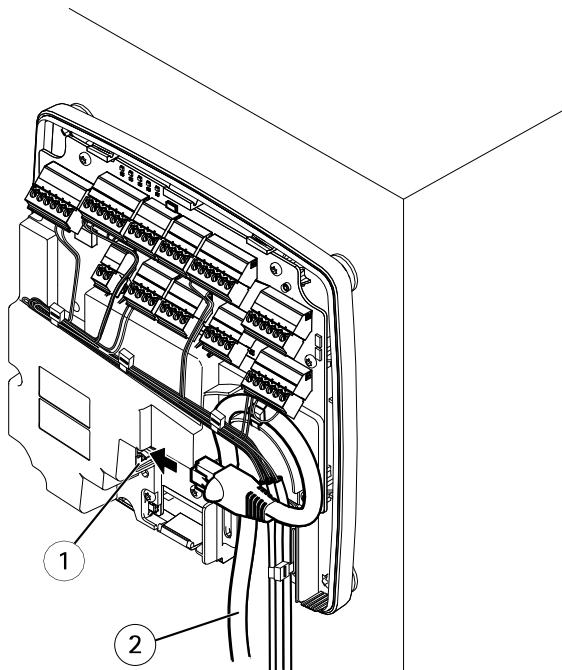
Cable connection example

- 1 6-pin plug connector
- 2 Network cable
- 3 Cable tie (4x)
- 4 Network connector

Note

- For devices that have been configured in the product's hardware configuration pages, use the hardware pin chart as a guide on how to connect the pins. For more information about hardware configuration and the hardware pin chart, see *Configure the hardware on page 42*.
 - For information about how to connect other wires, such as power wires to locks, readers and other devices, see the manufacturers' instructions.
5. Collect all the wires neatly and secure them using the supplied cable ties.
 6. Label the cables for future reference.
 7. If using Power over Ethernet, connect the network cable to the network.
 8. If using Ethernet and external power (10–30 V DC), connect the network cable to the network and connect power. Use a SELV compliant limited power source (LPS). For more information, see *Power Connector on page 25*.

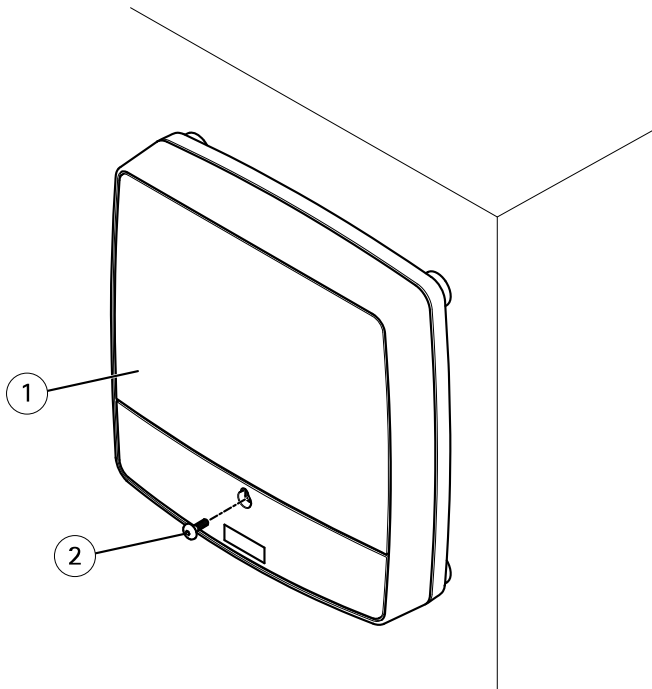
AXIS A1001 Network Door Controller



Cable connection example

- 1 Network connector
- 2 Network cable

9. Make sure that the LEDs indicate the correct conditions. See *LED Indicators* on page 18.
10. Attach the cover to the base and tighten the cover screw.



- 1 Cover
- 2 Cover screw (T10)

Access the Product

The product can be used with most operating systems and browsers. The recommended browsers are Internet Explorer with Windows, Safari with Macintosh and Firefox with other operating systems.

When you access the product for the first time, you must assign an IP address and set the password for the default administrator user root.

- To assign an IP address, see *page 38*.
- To set the root password, see *page 42*.

How to access the product from a browser

1. Start a web browser.
2. Enter the IP address or host name of the Axis product in the browser's address field.

AXIS A1001 Network Door Controller

If you do not know the IP address, use AXIS IP Utility to locate the product on the network. For information about how to discover and assign an IP address, see *Assign an IP Address* on page 38. This information is also available from the support pages at axis.com/support

3. Enter your username and password. If this is the first time the product is accessed, the root password must first be configured.
4. AXIS Entry Manager opens in your browser. The start page is called the Overview page.

How to access the product from the internet

A network router allows products on a private network (LAN) to share a single connection to the internet. This is done by forwarding network traffic from the private network to the internet.

Most routers are pre-configured to stop attempts to access the private network (LAN) from the public network (internet).

If the Axis product is located on an intranet (LAN) and you want to make it available from the other (WAN) side of a NAT (Network Address Translator) router, turn on **NAT traversal**. With NAT traversal properly configured, all HTTP traffic to an external HTTP port in the NAT router is forwarded to the product.

How to turn on the NAT-traversal feature

- Go to **Setup > Additional Controller Configuration > System Options > Network > TCP/IP > Advanced**.
- Click **Enable**.
- Manually configure your NAT router to allow access from the internet.

See also **AXIS Internet Dynamic DNS Service** at www.axiscam.net

Note

- In this context, a "router" refers to any network routing device such as a NAT router, network router, internet gateway, broadband router, broadband sharing device, or a software such as a firewall.
- For NAT traversal to work, NAT traversal must be supported by the router. The router must also support UPnP®.

Assign an IP Address

About default IP addresses

Axis devices are designed to be used on an Ethernet network. To access the device's webpage you need an IP address. Most networks have a DHCP server that automatically assigns IP addresses to connected devices.

If your network does not have a DHCP server the default IP address is 192.168.0.90.

Recommended Methods in Windows®

AXIS IP Utility and AXIS Camera Management are recommended methods for finding Axis products on the network and assigning them IP addresses in Windows®. Both applications are free and can be downloaded from www.axis.com/techsup

AXIS IP Utility

Note

The computer running AXIS IP Utility must be on the same network segment (physical subnet) as the Axis device.

Access your device on the network

1. Connect power and network to the Axis device.
2. Start AXIS IP Utility. All available devices on the network show up in the list automatically.
3. To access the device from a browser, double-click the name in the list.

Change the IP address of a device

1. Start AXIS IP Utility. All available devices on the network show up in the list automatically.
2. Right-click the device in the list and select **Assign new IP address to selected device**.
3. Enter an available IP address and click **Assign**.
4. To access the device from a browser, double-click the name in the list.

AXIS Device Manager

Access your device on the network

1. Connect power and network to the Axis device.
2. Start AXIS Device Manager.
3. To connect to a server, go to **Main menu > Servers > New connection**:
 - If the server is on the network, select **Remote server** and select a server from the drop-down list or enter the IP address or DNS address in the **Remote server** field.
 - If the server is running locally on the computer, select **This computer**.
4. To log in as the current Windows user, click **Log in**.


If you clear **Log on as current user** you need to enter a username and password in the next step.
5. Add devices:

AXIS A1001 Network Door Controller

- AXIS Device Manager automatically searches for Axis devices on the network and adds them to the list of devices.
 - To manually add devices, go to **Device management > Add devices**. Select which devices you want to add from the list, click **Next**, and then click **Finish**.
 - To add devices from an IP range, go to **Device management > Add devices from IP range**.
 - To add a device from a specific IP address, go to **Device management > Add device from address**.
6. To access the device from a browser, click the address link in the list.

Change the IP addresses of multiple devices

To speed up the process of assigning IP addresses, AXIS Device Manager suggests IP addresses from a specified range.

1. In AXIS Device Manager, go to **Device management**.
2. Select the devices you want to configure and then click **Assign IP address to selected devices** .
3. In the **Device maintenance** dialog, click **Yes**.
4. Select **Assign the following IP address range**.
5. To change the suggested IP address range, enter the IP address range in the **IP range** text field.
6. Click **Next**.
7. To change any of the IP addresses, select a device and click **Edit IP**.
8. Click **Finish**.

Other methods

The lists below show other methods available for assigning or discovering IP addresses.

Windows®

- **UPnP™**
UPnP automatically detects Axis devices and adds them to **Network** or **My Network Places**.

Mac OS X® 10.4 or later

- **Bonjour** (applicable to browsers with support for Bonjour)
Navigate to the **Bonjour** bookmark in your browser, for example Safari, and click the link to access the webpage.

All operating systems

- **DHCP server**

To view the admin pages for the network DHCP server, see the server's user documentation.

- **Hosted video services**

To connect to a hosted video service, see the service provider's installation guide. For information and help in finding a local service provider, go to www.axis.com/hosting

EN

Assign an IP address using ARP/Ping

The device's IP address can be assigned using ARP/Ping. The command must be issued within 2 minutes of connecting power.

1. Acquire a free static IP address on the same network segment as the computer.
2. Locate the serial number (S/N) on the device label.
3. Open a command prompt and enter the following commands:

Linux/Unix syntax

```
arp -s <IP address> <serial number> temp  
ping -s 408 <IP address>
```

Linux/Unix example

```
arp -s 192.168.0.125 00:40:8c:18:10:00 temp  
ping -s 408 192.168.0.125
```

Windows syntax (this may require that you run the command prompt as an administrator)

```
arp -s <IP address> <serial number>  
ping -l 408 -t <IP address>
```

Windows example (this may require that you run the command prompt as an administrator)

```
arp -s 192.168.0.125 00-40-8c-18-10-00  
ping -l 408 -t 192.168.0.125
```

4. Restart the device by disconnecting and reconnecting the network connector.
5. Close the command prompt when the device responds with Reply from 192.168.0.125: . . . or similar.
6. Open a browser and type `http://<IP address>` in the address field.

Note

- To open a command prompt in Windows, open the **Start** menu and search for `cmd`.
- To use the ARP command in Windows 8/Windows 7/Windows Vista, right-click the command prompt icon and select **Run as administrator**.
- To open a command prompt in Mac OS X, open the **Terminal** utility from **Application > Utilities**.

How to set the root password

To access the Axis product, you must set the password for the default administrator user **root**. This is done in the **Configure Root Password** dialog, which opens when the product is accessed for the first time.

To prevent network eavesdropping, the root password can be set via an encrypted HTTPS connection, which requires an HTTPS certificate. HTTPS (Hypertext Transfer Protocol over SSL) is a protocol used to encrypt traffic between web browsers and servers. The HTTPS certificate ensures encrypted exchange of information.

The default administrator user name **root** is permanent and cannot be deleted. If the password for **root** is lost, the product must be reset to the factory default settings. For information about how to reset the product to factory default, see the product's User Manual.

To set the password, enter it directly in the dialog.

Configure the hardware

Configure the hardware in the **Hardware Configuration** pages before installing the product.

You can connect readers, locks and other devices to the Axis product before you complete the hardware configuration. However, it will be easier to connect devices if you complete the hardware configuration first. This is because a hardware pin chart will be available when the configuration is complete. The hardware pin chart is a guide on how to connect devices to the pins and can be used as a reference sheet for maintenance. For maintenance instructions, see *page 46*.

To configure the hardware, select one of the following methods:

- Import a hardware configuration file. See *page 42*.
- Create a new hardware configuration. See *page 43*.

Note

If the product's hardware has not been configured before or has been deleted, **Hardware Configuration** will be available in the notification panel in the Overview page.

How to import a hardware configuration file

The hardware configuration of the Axis product can be completed faster by importing a hardware configuration file.

For information about exporting hardware configuration files, see the User Manual.

To import a hardware configuration file:

1. Go to **Setup > Hardware Configuration**.

2. Click **Import hardware configuration** or, if a hardware configuration already exists, **Reset and import hardware configuration**.
3. In the file browser dialog that appears, locate and select the hardware configuration file (*.json) on your computer.
4. Click **OK**.

Connect the Hardware

To connect the hardware:

1. If required, remove the cover screw, insert a slotted screwdriver into the cover removal slot and remove the cover.
2. Connect the Axis product to the network and wait until the network connection has been established and the product has powered up. If the product is not powered through Power over Ethernet but will use Ethernet and external power instead, also connect the product to a SELV compliant limited power source (LPS). For more information about the power connector (DC input), see *Specifications on page 20*.

Create a new hardware configuration

Follow the instructions according to your requirements:

- *How to create a new hardware configuration without peripherals on page 43*
- *How to create a new hardware configuration for wireless locks on page 43*
- *How to create a new hardware configuration with elevator control (AXIS A9188) on page 44*

How to create a new hardware configuration without peripherals

1. Go to **Setup > Hardware Configuration** and click **Start new hardware configuration**.
2. Enter a name for the Axis product.
3. Select the number of connected doors and click **Next**.
4. Click **Close** or click the link to view the hardware pin chart.

How to create a new hardware configuration for wireless locks

1. Go to **Setup > Hardware Configuration** and click **Start new hardware configuration**.
2. Enter a name for the Axis product.
3. In the list of peripherals, select a manufacturer for a wireless gateway.
4. Depending on what lock manufacturer you got, proceed according to one of the bullets:
 - **ASSA Aperio**: Click the link to view the hardware pin chart or click **Close** and go to **Setup > Hardware Reconfiguration** to complete the configuration, see *Add Assa Aperio™ doors and devices on page 44*

AXIS A1001 Network Door Controller

- **SmartIntego:** Click the link to view the hardware pin chart or click [Click here to select wireless gateway and configure doors to complete the configuration](#), see *How To Configure SmartIntego on page 45*.

How to create a new hardware configuration with elevator control (AXIS A9188)

Important

Before creating a HW configuration you need to add a user in AXIS A9188 Network I/O Relay Module. Go to the A9188 web interface > **Preferences** > **Additional device configuration** > **Basic setup** > **Users** > **Add** > **User setup**.

Note

Max 2 AXIS 9188 Network I/O Relay Modules can be configured with each Axis Network Door Controller

1. In A1001, go to **Setup** > **Hardware Configuration** and click **Start new hardware configuration**.
2. Enter a name for the Axis product.
3. In the list of peripherals, select **Elevator control** to include an AXIS A9188 Network I/O Relay Module and click **Next**.
4. Enter a name for the connected reader.
5. Select the reader protocol that will be used and click **Finish**.
6. Click **Network Peripherals** to complete the configuration see or click the link to go to the hardware pin chart.

Add Assa AperiTM doors and devices

Before adding a wireless door to the system it needs to be paired with the connected Assa Aperi communication hub, using Aperi PAP (Aperi programming application tool).

To add a wireless door:

1. Go to **Setup** > **Hardware Reconfiguration**.
2. Under **Wireless Doors and Devices** click **Add door**.
3. In the **Door name** field: Enter a descriptive name.
4. In the **ID** field under **Lock**: Enter the six-character-long address of the device that you want to add. The device address is printed on the product label.
5. Optionally, under **Door position sensor**: Choose **Built in door position sensor** or **External door position sensor**.

Note

If using an external door position sensor (DPS), make sure that the Aperi lock device has support for door handle state detection before configuring it.

6. Optionally, in the ID field under **Door position sensor**: Enter the six-character-long address of the device that you want to add. The device address is printed on the product label.
7. Click **Add**.

Prerequisites SmartIntego

The following prerequisites needs to be met before proceeding with the SmartIntego configuration:

- A csv-file needs to be created. The csv-file contains information about what GatewayNode and doors that are used in your SmartIntego solution. The file is created in a standalone software provided by a SimonsVoss partner.
- The Hardware Configuration of SmartIntego has been done, see *How to create a new hardware configuration for wireless locks on page 43*.

Note

- SmartIntego Configuration tool must be version 2.1.6452.23485, build 2.1.6452.23485 (8/31/2017 1:02:50 PM) or later.
- The Advanced Encryption Standard (AES) is not supported for SmartIntego, and must therefore be disabled in the SmartIntego Configuration tool.

How To Configure SmartIntego

Note

- Make sure that prerequisites listed have been met.
 - For increased visibility of the battery status, go to **Setup > Configure event and alarms logs**, and add either **Door — Battery alarm** or **IdPoint — Battery alarm** as an alarm.
 - The door monitor settings come from the imported CSV file. You shouldn't need to change this setting in a normal installation.
1. Click **Browse...**, select the csv-file and click **Upload file**.
 2. Select a GatewayNode and click **Next**.
 3. A preview of the new configuration is shown. Disable the door monitors if needed.
 4. Click **Configure**.
 5. An overview of the doors included in the configuration is shown. Click **Settings** to configure each door individually.

Reset to factory default settings

Important

Reset to factory default should be used with caution. A reset to factory default resets all settings, including the IP address, to the factory default values.

To reset the product to the factory default settings:

AXIS A1001 Network Door Controller

1. Disconnect power from the product.
2. Press and hold the control button while reconnecting power. See .
3. Keep the control button pressed for 25 seconds until the status LED indicator turns amber for the second time.
4. Release the control button. The process is complete when the status LED indicator turns green. The product has been reset to the factory default settings. If no DHCP server is available on the network, the default IP address is 192.168.0.90
5. Use the installation and management software tools, assign an IP address, set the password, and access the product.

It is also possible to reset parameters to factory default through the web interface. Go to **Setup > Additional Controller Configuration > Setup > System Options > Maintenance** and click **Default**.

Maintenance Instructions

To keep the access control system running smoothly, Axis recommends regular maintenance of the access control system, including door controllers and connected devices.

Do maintenance at least once a year. The suggested maintenance procedure includes, but is not limited to, the following steps:

- Make sure all the connections between the door controller and the external devices are secure.
- Verify all the hardware connections. This requires access to the product's webpages. For more information, see the User Manual.
- Verify that the system, including the connected external devices, functions correctly.
 - Swipe a card and test the readers, doors, and locks.
 - If the system includes REX devices, sensors or other devices, test them as well.
 - If activated, test the tampering alarms.

If the results from any of the steps above indicate faults or unexpected behavior:

- Test the signals of the wires using appropriate equipment and check if the wires or cables are damaged in any way.
- Replace all damaged or faulty cables and wires.
- Once the cables and wires have been replaced, verify all the hardware connections again. This requires access to the product's webpages. For more information, see the User Manual.
- Make sure all access schedules, doors, groups, and users are up to date. This requires access to the product's webpages. For more information, see the User Manual.
- If the door controller is not behaving as expected, see the User manual for information about troubleshooting and the product's built-in maintenance functions.

For information about maintenance of the battery, see *Requirements for Compliance with UL294 6th Edition on page 7* and *Battery on page 10*.

Further information

- For the latest version of this document, see axis.com
- The user manual is available at axis.com
- To check if there is updated firmware available for your device, see axis.com/support
- For useful online trainings and webinars, see axis.com/academy

Warranty information

For information about Axis' product warranty and thereto related information, go to axis.com/warranty

Informations sur la sécurité

Niveaux de risques

▲ DANGER

Indique une situation dangereuse qui, si elle n'est pas évitée, entraînera le décès ou des blessures graves.

▲ AVERTISSEMENT

Indique une situation dangereuse qui, si elle n'est pas évitée, pourrait entraîner le décès ou des blessures graves.

▲ ATTENTION

Indique une situation dangereuse qui, si elle n'est pas évitée, pourrait entraîner des blessures légères ou modérées.

AVIS

Indique une situation qui, si elle n'est pas évitée, pourrait endommager l'appareil.

Autres niveaux de message

Important

Indique les informations importantes, nécessaires pour assurer le bon fonctionnement de l'appareil.

Note

Indique les informations utiles qui permettront d'obtenir le fonctionnement optimal de l'appareil.

Consignes de sécurité

▲AVERTISSEMENT

Le produit Axis doit être installé par un professionnel qualifié et conformément aux lois et réglementations locales en vigueur.

AVIS

- Le produit Axis doit être utilisé conformément aux lois et réglementations locales.
- Axis recommande d'utiliser un câble réseau blindé (STP).
- Axis recommande d'utiliser un câble réseau de catégorie CAT5e ou supérieure.
- Pour pouvoir utiliser le produit Axis à l'extérieur, ou dans des environnements similaires, il doit être installé dans un boîtier d'extérieur homologué.
- Conserver ce produit Axis dans un environnement sec et ventilé.
- Ne pas exposer ce produit Axis aux chocs ou aux fortes pressions.
- Ne pas installer ce produit sur des poteaux, supports, surfaces ou murs instables.
- Utiliser uniquement des outils recommandés pour l'installation de l'appareil Axis. L'application d'une force excessive sur l'appareil avec des outils puissants pourrait l'endommager.
- Ne pas utiliser de produits chimiques, de substances caustiques ou de nettoyeurs pressurisés.
- Utiliser un chiffon propre imbibé d'eau pure pour le nettoyage.
- Utiliser uniquement des accessoires conformes aux caractéristiques techniques de votre produit. Ils peuvent être fournis par Axis ou un tiers. Axis recommande d'utiliser un équipement d'alimentation Axis compatible avec votre produit.
- Utiliser uniquement les pièces de rechange fournies ou recommandées par Axis.
- Ne pas essayer de réparer vous-même ce produit. Contacter l'assistance technique d'Axis ou votre revendeur Axis pour des problèmes liés à l'entretien.
- L'alimentation électrique doit être branchée à une prise de courant installée près de l'équipement et être facilement accessible.
- Utilisez une source d'alimentation limitée (LPS) dont la puissance de sortie nominale est limitée à ≤ 100 W ou dont le courant de sortie nominal est limité à ≤ 5 A.

Transport

AVIS

- Lors du transport du produit Axis, utilisez l'emballage d'origine ou un équivalent pour éviter d'endommager le produit.

Batterie

Le produit Axis utilise une batterie au lithium CR2032 3,0 V comme alimentation de son horloge en temps réel interne (RTC). Dans des conditions normales, cette batterie a une durée de vie minimale de cinq ans.

Si la batterie est faible, le fonctionnement de l'horloge en temps réel peut être affecté et entraîner sa réinitialisation à chaque mise sous tension. Un message enregistré apparaît dans le rapport de serveur du produit lorsque la batterie doit être remplacée. Pour plus d'informations sur le rapport serveur, consultez la page Web du produit ou contactez l'assistance technique d'Axis.

Les piles boutons 3,0 V au lithium contiennent du 1,2-diméthoxyéthane, éthylène glycol diméthyl éther (EGDME), CAS n° 110-71-4.

⚠️ AVERTISSEMENT

- Risque d'explosion si la batterie est remplacée de façon incorrecte.
- La batterie doit être remplacée par une batterie identique uniquement.
- Les batteries usagées doivent être mises au rebut conformément aux réglementations locales ou aux instructions du fabricant de la batterie.

Guide d'installation - Référence complète

Ce guide d'installation de référence complète explique comment installer le contrôleur de porte réseau AXIS A1001 sur votre réseau.

- Pour un guide de référence rapide, reportez-vous à la version imprimée du **Guide d'installation – Référence rapide AXIS A1001** contenu dans l'emballage. Ce guide de référence rapide est également disponible sur www.axis.com
- Pour toute autre information relative à l'utilisation du produit, consultez le **Manuel de l'utilisateur AXIS A1001** disponible sur www.axis.com

Procédures d'installation

1. Assurez-vous que les outils et autres matériels nécessaires à l'installation sont inclus dans l'emballage. Cf. *page 53*.
2. Consultez la description du matériel. Cf. *page 54*.
3. Étudiez les caractéristiques. Cf. *page 60*.
4. Installez le matériel. Cf. *page 70*.
5. Utilisez le produit. Cf. .

Contenu de l'emballage

- Contrôleur de porte réseau AXIS A1001
- Frette de câbles (x4)
- Vis du couvercle
- Connecteur à 6 broches (x 5) (branché dans les connecteurs du terminal)
 - E/S du lecteur (bleu)
 - E/S du lecteur (rouge)
 - Données du lecteur (blanc)
 - Données du lecteur (jaune)
 - Alimentation et relais (orange)
- Connecteur à 4 broches (x 5) (branché dans les connecteurs du terminal)
 - Audio (blanc)
 - Auxiliaire (jaune)
 - Porte d'entrée (bleu)
 - Porte d'entrée (rouge)
 - Verrou alimentation (orange)
- Connecteur à 2 broches (branché dans le connecteur du terminal)
 - Câble d'alimentation (noir)

AXIS A1001 Network Door Controller

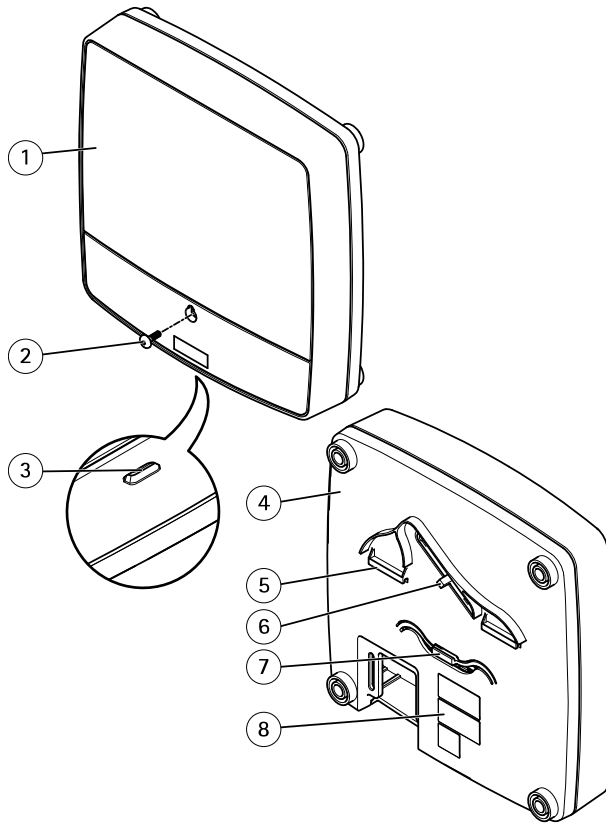
- Documents imprimés
 - Guide d'installation AXIS A1001 - Référence rapide
 - Étiquette supplémentaire de numéro de série (x2)
 - Clé d'authentification AVHS

Outils recommandés

- Perceuse - en cas de fixation au mur ou au plafond
- Tournevis - en cas de fixation au mur ou au plafond
- Tournevis à fente - pour l'ouverture du couvercle
- Tournevis Torx (T10) - pour serrer la vis du couvercle
- Outil de dénudage de câble

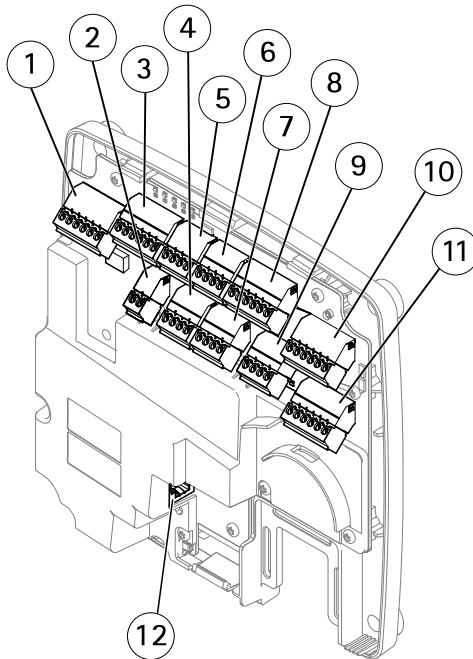
Aperçu du matériel

Pour connaître les caractéristiques des composants matériels, consultez .



Avant et arrière :

- 1 Couverture
- 2 Vis du couvercle
- 3 Fente de retrait du couvercle
- 4 Socle
- 5 Clip DIN - supérieur
- 6 Commutateur d'alarme de détérioration - arrière
- 7 Clip DIN - inférieur
- 8 Référence (P/N) et numéro de série (S/N).



Interface E/S :

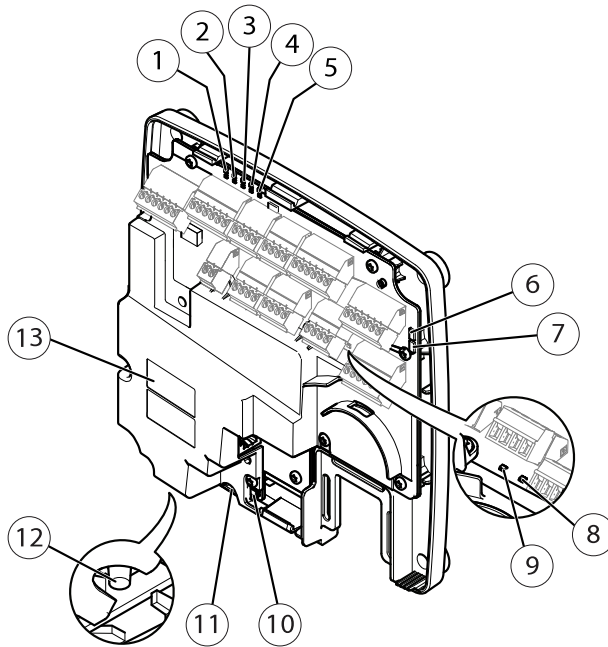
- 1 Connecteur de données du lecteur (READER DATA 1)
- 10 Connecteur de données du lecteur (READER DATA 2)
- 3 Connecteur E/S du lecteur (READER I/O 1)
- 8 Connecteur E/S du lecteur (READER I/O 2)
- 4 Connecteur de porte (DOOR IN 1)
- 7 Connecteur de porte (DOOR IN 2)
- 6 Connecteur auxiliaire (AUX)
- 5 Connecteur audio (AUDIO) (non utilisé)

Entrées d'alimentation externes :

- 2 Connecteur d'alimentation (DC IN)
- 12 Connecteur réseau (PoE)

Sorties d'alimentation :

- 9 Connecteur du verrou d'alimentation (LOCK)
- 11 Connecteur d'alimentation et du relais (PWR, RELAY)



Voyants DEL, boutons et autre matériel :

- 1 *Voyant DEL d'alimentation*
- 2 *Voyant d'état*
- 3 *Voyant DEL réseau*
- 4 *Voyant DEL du lecteur 2 (non utilisé)*
- 5 *Voyant DEL du lecteur 1 (non utilisé)*
- 6 *Bloc de connexion de l'alarme de détérioration – avant (TF)*
- 7 *Bloc de connexion de l'alarme de détérioration – arrière (TB)*
- 8 *Voyant DEL du verrou*
- 9 *Voyant DEL du verrou*
- 10 *Capteur de l'alarme de détérioration – avant*
- 11 *Logement de carte SD (microSDHC) (non utilisé)*
- 12 *Bouton de commande*
- 13 *Référence (P/N) et numéro de série (S/N).*

AXIS A1001 Network Door Controller

LED Indicators

LED	Color	Indication
Network	Green	Steady for connection to a 100 MBit/s network. Flashes for network activity.
	Amber	Steady for connection to a 10 MBit/s network. Flashes for network activity.
	Unlit	No network connection.
Status	Green	Steady green for normal operation.
	Amber	Steady during startup and when restoring settings.
	Red	Slow flash for failed upgrade.
Power	Green	Normal operation.
	Amber	Flashes green/amber during firmware upgrade.
Lock	Green	Steady when not energized.
	Red	Steady when energized.
	Unlit	Floating.

Note

- The Status LED can be configured to flash while an event is active.
- The Status LED can be configured to flash for identifying the unit. Go to **Setup > Additional Controller Configuration > System Options > Maintenance** .

Connecteurs et boutons

Pour les spécifications et les conditions de fonctionnement, voir *page 60*.

Interface E/S

Connecteurs des données du lecteur

Deux blocs terminaux à 6 broches prenant en charge les protocoles RS485 et Wiegand pour la communication avec le lecteur. Pour les caractéristiques, consultez *page 63*.

Connecteurs E/S du lecteur

Deux blocs terminaux à 6 broches prenant en charge l'entrée et la sortie du lecteur. En plus du point de référence 0 V CC et de l'alimentation (sortie CC), le connecteur E/S du lecteur fournit une interface aux éléments suivants :

- Entrée numérique – Permet de connecter des alarmes de détérioration du lecteur par exemple.

- Sortie numérique – Permet de connecter des beepers et des voyants du lecteur par exemple

Pour les caractéristiques, consultez *page 63*.

Connecteurs de portes

Deux blocs terminaux à 4 broches pour le branchement des périphérique de contrôle des portes et les périphériques de demande de sortie (REX). Pour les caractéristiques, consultez *page 64*.

FR

Connecteur auxiliaire

Bloc terminal E/S configurable à 4 broches. Utilisez-le avec des périphériques externes associés aux applications telles que les alarmes de détérioration, la détection de mouvement, le déclenchement d'événements et les notifications d'alarme. En plus du point de référence 0 V CC et de l'alimentation (sortie CC), le connecteur auxiliaire fournit une interface aux éléments suivants :

- Entrée numérique – Entrée d'alarme utilisée pour connecter des dispositifs pouvant passer d'un circuit ouvert à un circuit fermé, par exemple capteurs infrarouge passifs ou détecteurs de bris de verre.
- Sortie numérique – Permet de connecter des dispositifs externes, comme des alarmes anti-vol, des sirènes ou des éclairages. Les appareils connectés peuvent être activés par l'interface de programmation VAPIX® ou par une règle d'action.

Pour les caractéristiques, consultez *page 65*.

Entrées d'alimentation externes

AVIS

Le produit doit être connecté à l'aide d'un câble réseau blindé (STP). Tous les câbles reliant le produit au commutateur réseau doivent être destinés à leur usage spécifique. Assurez-vous que les périphériques réseau sont installés conformément aux instructions du fabricant. Pour plus d'informations sur les exigences réglementaires, consultez *Electromagnetic compatibility (EMC) on page 4*.

Connecteur d'alimentation

Bloc terminal à deux broches utilisé pour l'entrée d'alimentation. Utilisez une source d'alimentation limitée (LPS) conforme aux exigences de Très basse tension de sécurité (TBTS) dont la puissance de sortie nominale est limitée à ≤ 100 W ou dont le courant de sortie nominal est limité à ≤ 5 A. Pour les caractéristiques, consultez *page 66*.

Connecteur réseau

Connecteur Ethernet RJ45. Prend en charge l'alimentation par Ethernet (PoE). Pour les caractéristiques, consultez *page 66*.

Sorties d'alimentation

Connecteur de verrou d'alimentation

AXIS A1001 Network Door Controller

Bloc terminal à 4 broches pour la connexion d'un ou de deux verrous. Le connecteur de verrou peut également être utilisé pour alimenter des périphériques externes. Pour les caractéristiques, voir *page 67*.

Connecteur d'alimentation et de relais

Bloc terminal à 6 broches pour brancher l'alimentation et le relais du contrôleur de porte à des périphériques externes comme des verrous et des capteurs. Pour les caractéristiques, voir *page 67*.

Boutons et autres matériels

Bloc de connexion de l'alarme de détérioration

Deux blocs de connexion permettant de débrancher les alarmes de détérioration avant et arrière. Pour les caractéristiques, consultez *page 68*.

Bouton de commande

Le bouton de commande permet de réaliser les opérations suivantes :

- Réinitialisation du produit aux paramètres d'usine par défaut. Cf. *page 87*.
- Connexion au service du Système d'hébergement vidéo AXIS ou au service AXIS Internet Dynamic DNS. Pour plus d'informations sur ces services, reportez-vous au Manuel de l'utilisateur.

Caractéristiques techniques

Conditions d'utilisation

L'appareil Axis est uniquement destiné à une utilisation en intérieur.

Classification	Température	Humidité
IEC 60721-4-3 Classe 3K3, 3M3	0 °C à 50 °C (32 °F à 122 °F)	Humidité relative de 20 à 85 % (sans condensation)

Consommation électrique

AVIS

Utilisez une source d'alimentation limitée (LPS) conforme aux exigences de Très basse tension de sécurité (TBTS) dont la puissance de sortie nominale est limitée à ≤ 100 W ou dont le courant de sortie nominal est limité à ≤ 5 A.

AXIS A1001 Network Door Controller

FR

Alimentation	Charge maximale en sortie
Alimentation par Ethernet IEEE 802.3af/ 802.3at Type 1 Classe 3, 44 à 57 V CC	7,5 W
10 à 30 V CC, max. 26 W	14 W

Conversion de la puissance délivrée (W à A)

Si le dispositif raccordé au produit Axis n'a qu'une intensité nominale (A), vous pouvez utiliser la méthode suivante pour la convertir en watt (W).

La charge totale maximale du produit Axis dépend de la source d'alimentation :

Source d'alimentation	Charge totale maximale en sortie
Alimentation par Ethernet IEEE 802.3af/ 802.3at Type 1 Classe 3	7,5 W
10 à 30 V CC	14 W

La tension en sortie d'alimentation du produit Axis est de 12 V CC (à l'exception du connecteur auxiliaire qui a une tension de 3,3 V CC). Si votre dispositif de liaison a une intensité nominale de, par exemple, 0,3 A, la conversion suivante vous indique la puissance en watt (W).

Puissance (W) = Tension (V) x Courant (I)

Puissance = 12 x 0,3 = 3,6 W

Le tableau suivant indique la puissance disponible après raccordement du dispositif de 0,3 A dans l'exemple.

Source d'alimentation	Puissance disponible
Alimentation par Ethernet IEEE 802.3af/ 802.3at Type 1 Classe 3	7,5 - 3,6 = 3,9 W
10 à 30 V CC	14 - 3,6 = 10,4 W

La sortie CC sur les connecteurs suivants est considérée comme une puissance délivrée : '

- Connecteur du verrou d'alimentation
- Connecteur d'alimentation et du relais

AXIS A1001 Network Door Controller

- Connecteur E/S du lecteur
- Connecteur auxiliaire

AVIS

La puissance délivrée du connecteur auxiliaire a une tension nominale de 3,3 V CC.

Concernant les caractéristiques des connecteurs, reportez-vous à *Connecteur d'alimentation page 66* et *Connecteur réseau page 66*.

Niveaux de performance pour le contrôle d'accès

Cette section contient des informations sur le niveau de performance requis pour la conformité UL 294.

Fonction	Niveau
Essai d'attaque destructrice	I
Sécurité de la ligne	I
Résistance	IV
Alimentation de veille	I

Zone de câble

AVIS

Chaque câble doit comporter une zone transversale de conducteur correspondant à un calibre de conducteur de 28 à 16 AWG (CSA) ou 22 à 14 AWG (cUL/UL). Sélectionnez des câbles conformes à la législation locale.

AWG	Diamètre en mm (po)	Zone en mm ²
28-16	0.321-1.29 (0.0126-0.0508)	0.0810-1.31
22-14	0.644-1.63 (0.0253-0.0641)	0.326-2.08

Connecteurs

Pour plus d'informations sur les positions de connecteur, voir *Aperçu du matériel page 54*.

Pour les graphiques de connexion et des informations sur le graphique de connexion des broches du matériel généré dans la configuration matérielle, voir *Schémas de connexion page 69* et *Configurer le matériel page 83*.

La section suivante décrit les caractéristiques techniques des connecteurs.

Connecteur de données du lecteur

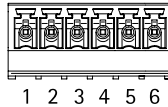
Bloc terminal à 6 broches prenant en charge les protocoles RS485 et Wiegand pour la communication avec le lecteur.

Les ports RS485 prennent en charge :

- RS485 semi-duplex sur deux fils
- RS485 duplex intégral sur quatre fils

Les ports Wiegand prennent en charge :

- Wiegand sur deux fils



Fonction		Broche	Notes
RS485	A-	1	Pour duplex intégral RS485 Pour semi-duplex RS485
	B+	2	
RS485	A-	3	Pour duplex intégral RS485 Pour semi-duplex RS485
	B+	4	
Wiegand	D0 (Donnée 0)	5	Pour Wiegand
	D1 (Donnée 1)	6	

Important

Les ports RS485 ont une vitesse de transmission fixe de 9 600 bit/s.

Important

La longueur maximale de câble recommandée est de 30 mètres (98,4 pieds).

Important

Les circuits de sortie dans cette section ont une puissance limitée à la Classe 2.

Connecteur E/S du lecteur

Bloc terminal à 6 broches pour :

- Alimentation auxiliaire (sortie CC)

AXIS A1001 Network Door Controller

- Entrée numérique
- Sortie numérique
- 0 V CC (-)

La broche 3 des connecteurs E/S du lecteur peut être supervisée. Si la connexion est interrompue, un événement est activé. Pour utiliser des entrées supervisées, installez des résistances de fin de ligne. Utilisez le schéma de connexion pour les entrées supervisées. Cf. *page 70*.



Fonction	Broche	Notes	Caractéristiques
0 V CC (-)	1		0 V CC
Sortie CC	2	Alimentation du matériel auxiliaire. Remarque : cette broche ne peut être utilisée que comme sortie d'alimentation.	12 V CC Charge maximale = 300 mA
Configurable (entrée ou sortie)	3-6	Entrée numérique – Connectez-la à la broche 1 pour l'activer ou laissez-la flotter (déconnectée) pour la désactiver.	0 à 40 V CC max.
		Sortie numérique – Connectez-la à la broche 1 pour l'activer ou laissez-la flotter (déconnectée) pour la désactiver. Si vous l'utilisez avec une charge inductive, par exemple un relais, une diode doit être connectée en parallèle avec la charge, en guise de protection contre les tensions transitoires.	0 à 40 V CC max., drain ouvert, 100 mA

Important

La longueur maximale de câble recommandée est de 30 mètres (98,4 pieds).

Important

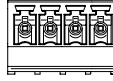
Les circuits de sortie dans cette section ont une puissance limitée à la Classe 2.

Connecteur de porte

Deux blocs terminaux à 4 broches pour les périphérique de contrôle des portes (entrée numérique).

Toutes les broches d'entrée des portes peuvent être supervisées. Si la connexion est interrompue, une alarme est déclenchée. Pour utiliser des entrées supervisées, installez des résistances de fin de ligne. Utilisez le schéma de connexion pour les entrées supervisées. Cf. *page 70*.

AXIS A1001 Network Door Controller



1 2 3 4

Fonction	Broche	Notes	Caractéristiques
0 V CC (-)	1, 3		0 V CC
Entrée	2, 4	Pour la communication avec le moniteur de porte. Entrée numérique – Raccordez-la respectivement à la broche 1 ou 3 pour activer ou laisser flotter (déconnectée) pour désactiver. Remarque : Cette broche ne peut être utilisée que pour l'entrée.	0 à 40 V CC max.

FR

Important

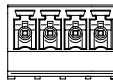
La longueur maximale de câble recommandée est de 30 mètres (98,4 pieds).

Connecteur auxiliaire

Bloc terminal E/S configurable à 4 broches pour :

- Alimentation auxiliaire (sortie CC)
- Entrée numérique
- Sortie numérique
- 0 V CC (-)

Pour un exemple de schéma de connexion, consultez *Schémas de connexion* page 69.



1 2 3 4

Fonction	Broche	Notes	Caractéristiques
0 V CC (-)	1		0 V CC
Sortie CC	2	Alimentation du matériel auxiliaire. Remarque : cette broche ne peut être utilisée que comme sortie d'alimentation.	3,3 V CC Charge maximale = 100 mA

AXIS A1001 Network Door Controller

Configurable (entrée ou sortie)	3-4	Entrée numérique – Connectez-la à la broche 1 pour l'activer ou laissez-la flotter (déconnectée) pour la désactiver.	0 à 40 V CC max.
		Sortie numérique – Connectez-la à la broche 1 pour l'activer ou laissez-la flotter (déconnectée) pour la désactiver. Si vous l'utilisez avec une charge inductive, par exemple un relais, une diode doit être connectée en parallèle avec la charge, en guise de protection contre les tensions transitoires.	0 à 40 V CC max., drain ouvert, 100 mA

Important

La longueur maximale de câble recommandée est de 30 mètres (98,4 pieds).

Important

Les circuits de sortie dans cette section ont une puissance limitée à la Classe 2.

Connecteur d'alimentation

Bloc terminal à 2 broches pour l'alimentation CC. Utilisez une source d'alimentation limitée (LPS) conforme aux exigences de Très basse tension de sécurité (TBTS) dont la puissance de sortie nominale est limitée à ≤ 100 W ou dont le courant de sortie nominal est limité à ≤ 5 A.



1 2

Fonction	Broche	Remarque	Caractéristiques
0 V cc (-)	1		0 V cc
Entrée CC	2	Pour alimenter le contrôleur lorsque Power over Ethernet n'est pas utilisé. Remarque : Cette broche ne peut être utilisée que comme entrée d'alimentation.	10-30 V CC, max. 26 W Charge max. en sortie = 14 W

Connecteur réseau

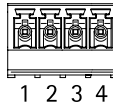
Connecteur Ethernet RJ45. Utilisez des câbles de catégorie 5e ou supérieurs.

Fonction	Caractéristiques
Power over Ethernet	Power over Ethernet IEEE 802.3af/802.3at Type 1 Classe 3, 44–57 V cc Charge maximale en sortie = 7,5 W

Connecteur de verrou d'alimentation

Bloc terminal à 4 broches pour l'alimentation d'un ou de deux verrous (sortie CC). Le connecteur de verrou peut également être utilisé pour alimenter des périphériques externes.

Raccordez les verrous et charges aux broches conformément au schéma des broches généré via la configuration matérielle.



Fonction	Broche	Notes	Caractéristiques
0 V CC (-)	1, 3		0 V CC
0 V CC, flottante ou 12 V CC	2, 4	Pour contrôler jusqu'à deux verrous 12 V. Utilisez le schéma des broches du matériel. Voir <i>Configurer le matériel</i> page 83.	12 V CC Charge totale maximale = 500 mA

AVIS

Si le verrou n'est pas polarisé, nous vous recommandons d'ajouter une diode flyback externe.

Important

Les circuits de sortie dans cette section ont une puissance limitée à la Classe 2.

Connecteur d'alimentation et de relais

Bloc terminal à 6 broches avec relais intégré pour :

- Périphériques externes
- Alimentation auxiliaire (sortie CC)
- 0 V CC (-)

Raccordez les verrous et charges aux broches conformément au schéma des broches généré via la configuration matérielle.

AXIS A1001 Network Door Controller



Fonction	Broche	Notes	Caractéristiques
0 V CC (-)	1, 4		0 V CC
Relais	2-3	Permet de connecter des périphériques relais. Utilisez le schéma des broches du matériel. Reportez-vous à <i>Configurer le matériel page 83</i> . Les deux broches du relais sont galvaniquement séparées du reste du circuit.	Courant maximale = 700 mA Tension maximale = +30 V CC
12 V CC	5	Alimentation du matériel auxiliaire. Remarque : Cette broche ne peut être utilisée que comme sortie d'alimentation.	Tension max. = +12 V CC Charge max. = 500 mA
24 V CC	6	Non utilisé	

AVIS

Si le verrou n'est pas polarisé, nous vous recommandons d'ajouter une diode flyback externe.

Important

Les circuits de sortie dans cette section ont une puissance limitée à la Classe 2.

Bloc de connexion de l'alarme de sabotage

Deux blocs de connexion à deux broches pour court-circuiter :

- l'alarme de sabotage arrière (TB)
- l'alarme de sabotage avant (TB)



Fonction	Broche	Remarques
Alarme de sabotage arrière	1-2	Pour court-circuiter simultanément les alarmes de sabotage avant et arrière, branchez les cavaliers entre TB 1, TB 2 et TF 1, TF 2 respectivement. Lorsque les alarmes de sabotage sont court-circuitées, le système n'identifie aucune tentative de sabotage.
Alarme de sabotage avant	1-2	

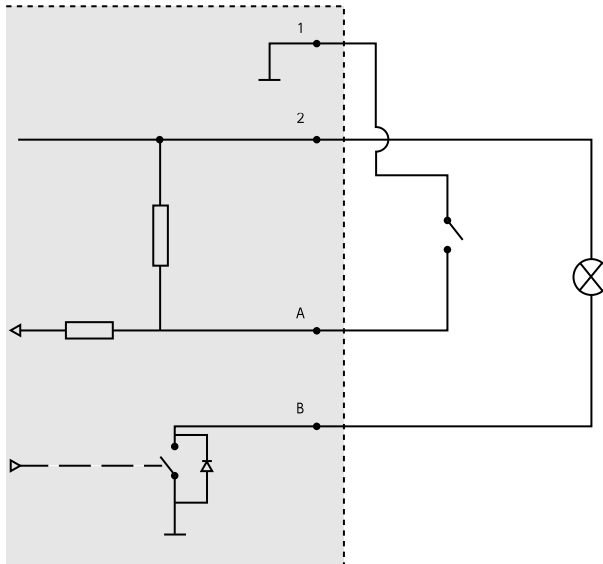
Note

Les alarmes de sabotage avant et arrière sont raccordées par défaut. Le déclenchement de l'ouverture du boîtier peut être configuré pour exécuter une action si le contrôleur de porte est ouvert ou s'il est retiré du mur ou du plafond. Pour plus d'informations sur la configuration des alarmes et des événements, voir le manuel de l'utilisateur.

Schémas de connexion

Raccordez les périphériques conformément au schéma des broches généré via la configuration matérielle. Pour plus d'informations sur la configuration matérielle et le schéma des broches, reportez-vous à *Configurer le matériel* page 83.

Connecteur auxiliaire



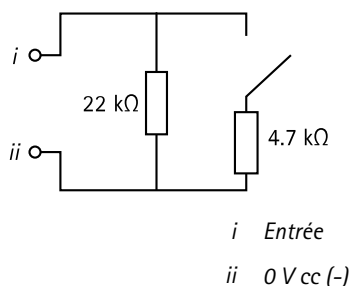
- 1 0 VCC (-)
- 2 Sortie CC : 3,3 V, max. 100 mA

AXIS A1001 Network Door Controller

- A Entrée/sortie configurée comme entrée
- B Entrée/sortie configurée comme sortie

Entrées supervisées

Pour utiliser des entrées supervisées, installez des résistances de fin de ligne selon le schéma ci-dessous.



Note

Il est conseillé d'utiliser des câbles torsadés et blindés. Connectez le blindage à 0 V cc.

Installation du matériel

⚠ ATTENTION

N'installez jamais le produit Axis lorsque le produit est sous tension. Mettez sous tension une fois l'installation terminée.

AVIS

Pour protéger les circuits contre les décharges électrostatiques (ESD), utilisez une protection électrostatique lorsque vous manipulez le produit alors que ses composants ou contacts sont exposés.

Lisez toutes les instructions avant l'installation de l'appareil.

- Pour configurer le matériel, reportez-vous à *page 83*.
- Pour installer l'appareil au mur (de préférence) ou au plafond, reportez-vous à *page 71*.
- Pour installer le produit sur un rail DIN, reportez-vous à *page 72*.
- Pour brancher les câbles, consultez *page 73*.

Considérations système

Le produit Axis doit être installé dans une zone sécurisée.

Le produit Axis, qu'il soit installé comme contrôleur de porte unique ou dans un système de contrôleurs de portes, ne doit pas limiter ou avoir un impact négatif sur l'utilisation à laquelle les périphériques qui lui sont raccordés sont destinés.

Le produit Axis doit être installé sur un mur (de préférence) ou un plafond avec ou sans boîte de jonction. Il peut également être installé sur un rail DIN.

Taille du système

Le produit Axis peut être connecté à d'autres contrôleurs de porte réseau Axis dans un cluster de contrôleurs pouvant gérer jusqu'à 66 portes ou dispositifs sans fil (au sein du cluster). Chaque produit Axis peut connecter jusqu'à 2 portes filaires ou 1 porte filaire et 1 passerelle sans fil. La quantité de verrous sans fil configurés sur chaque passerelle dépend du fabricant.

Note

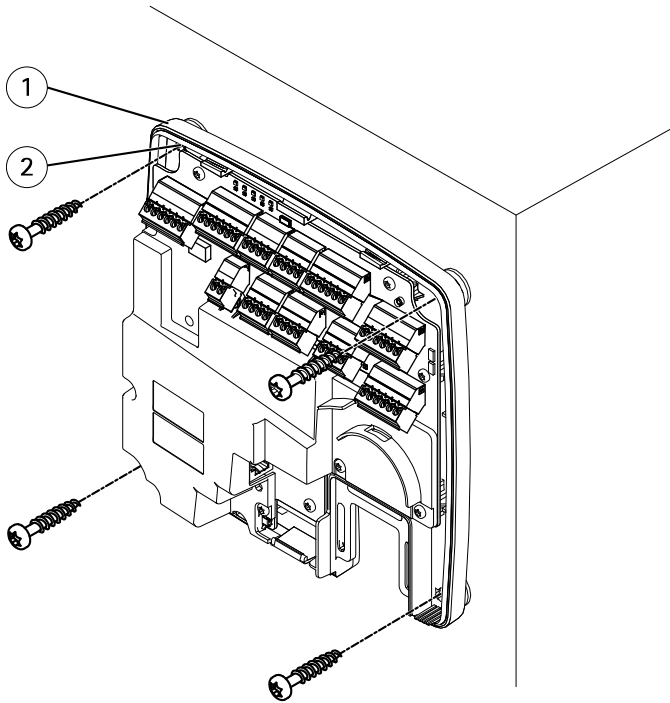
- Les verrous sans fil ne sont ni vendus ni distribués par Axis Communications. Pour obtenir une assistance et une formation portant sur les systèmes sans fil, contactez le partenaire adéquat.
- Le produit Axis est considéré comme un produit autonome et n'a pas besoin d'être connecté en permanence à un ordinateur pour fonctionner correctement. L'utilisation d'un ordinateur connecté est réservé à la programmation, au téléchargement et à un contrôle supplémentaire uniquement.

Fixation murale et au plafond

AVIS

Si vous installez le contrôleur de porte sur un mur, veillez à ce que la découpe destinée aux câbles soit orientée vers le bas.

1. Si vous utilisez une boîte de jonction, installez-la avant d'installer le contrôleur de porte réseau. Pour garantir une conformité UL, la boîte de jonction doit être homologuée UL.
2. Si nécessaire, retirez la vis du couvercle, insérez un tournevis à fente dans la fente permettant le retrait du couvercle et retirez ce dernier. Cf. *Aperçu du matériel page 54*.
3. Marquez les orifices de vis dans le plafond/mur, en utilisant la base comme gabarit.
4. Percez les orifices pour les vis, si nécessaire.
5. Installez la base sur le mur ou au plafond. Assurez-vous que les vis et les chevilles sont adaptées au matériau (bois, métal, placoplâtre, pierre).

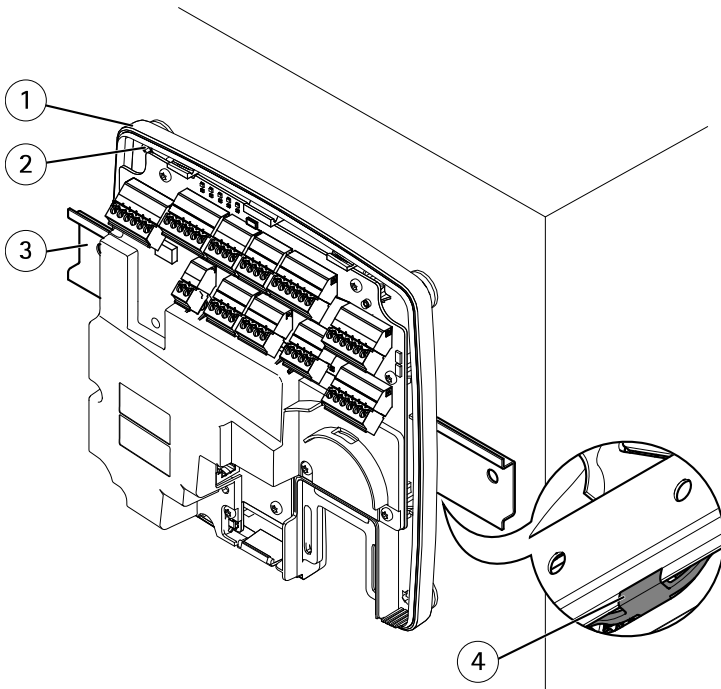


- 1 Socle
- 2 Trou de vis (x 4)

6. Branchez les câbles. Cf. page 73.

Rail DIN

1. Si nécessaire, installez un rail DIN (non fourni).
2. Si nécessaire, retirez le vis du couvercle, insérez un tournevis à fente dans la fente permettant le retrait du couvercle et retirez ce dernier. Cf. *Aperçu du matériel* page 54.
3. Fixez le clip DIN inférieur, flexible, au bas du rail DIN, en inclinant légèrement la base vers l'avant.
4. Soulevez la base afin que le clip DIN inférieur se trouve dans la position la plus basse.
5. Inclinez la base vers l'arrière afin qu'elle soit parallèle au mur/plafond.
6. Fixez le clip DIN supérieur en haut du rail DIN en baissant la base.



- 1 Socle
- 2 Trou de vis (x 4)
- 3 Rail DIN
- 4 Clip DIN inférieur

7. Fixez la base à l'aide de quatre vis. Assurez-vous que les vis et les chevilles sont adaptées au matériau (bois, métal, placoplâtre, pierre). Cf. *Fixation murale et au plafond* page 71.

Note

Pour éviter de tordre la base, veillez à ne pas trop serrer les vis. Laissez environ 2,5 mm (0,1 pouce). Si la base est tordue, le couvercle ne se fermera pas.

8. Branchez les câbles. Cf. *page 73*.

Branchement des câbles

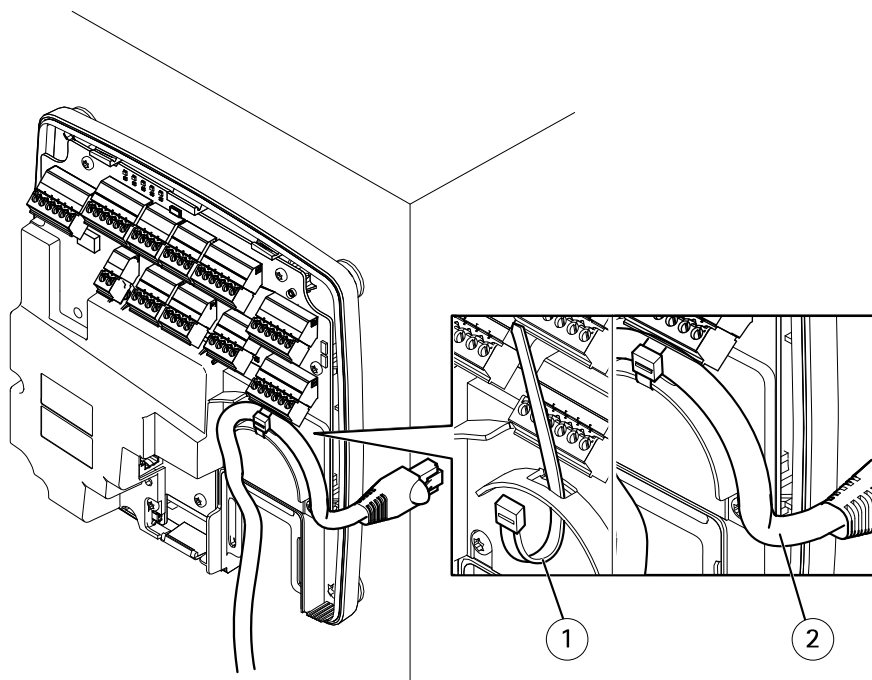
⚠ATTENTION

Coupez l'alimentation avant de brancher tous les câbles au produit Axis. Ne procédez jamais aux branchements si le produit est sous tension.

AXIS A1001 Network Door Controller

AVIS

- Le produit doit être connecté à l'aide d'un câble réseau blindé (STP). Tous les câbles reliant le produit au commutateur réseau doivent être destinés à leur usage spécifique. Assurez-vous que les périphériques réseau sont installés conformément aux instructions du fabricant. Pour plus d'informations sur les exigences réglementaires, consultez *Regulatory information on page 4*.
 - Si vous utilisez l'alimentation par Ethernet, attendez avant de raccorder le câble réseau au réseau que tous les autres câbles soient branchés.
 - Pour permettre une maintenance future, éviter une pression excessive sur les câbles et les connecteurs et éviter d'endommager l'isolation des conducteurs, laissez un espace d'entretien et assurez-vous que tous les câbles et fils sont correctement soutenus et sécurisés. Utilisez les frettes de câble fournies.
 - Pour protéger les circuits contre les décharges électrostatiques (ESD), utilisez une protection électrostatique lorsque vous raccordez les câbles au produit.
1. Entourez le câble réseau autour du guide des câbles et raccordez le câble réseau au connecteur réseau.
 2. Fixez le câble réseau au guide des câbles à l'aide de l'une des frettes de câble fournies.



1 Frette de câbles

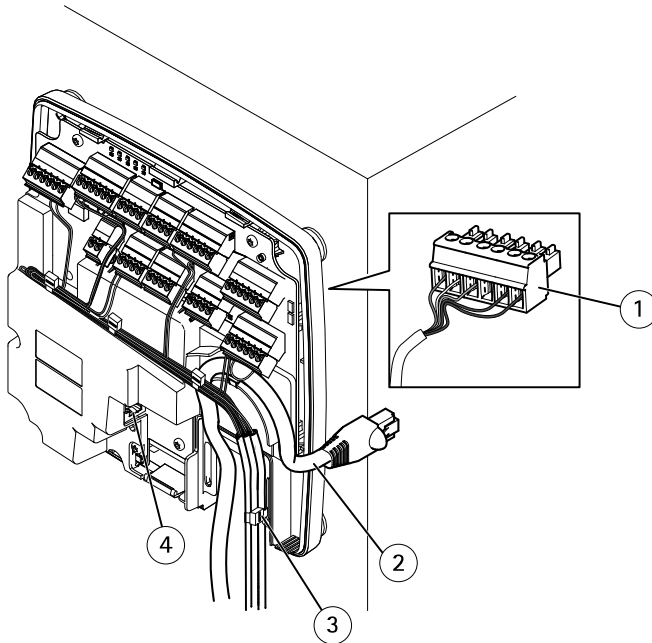
2 Câble réseau

3. Dénudez les câbles et fils si nécessaire à l'aide d'une pince à sertir.
4. Raccordez les câbles entre les contrôleurs de porte et les verrous, les portes et les autres périphériques. Pour plus d'informations sur les connecteurs et leurs caractéristiques, reportez-vous à *page 58* et *page 62*.

AVIS

- Assurez-vous que tous les câbles sont correctement raccordés. Un câblage incorrect pourrait endommager le produit.
- Veillez à utiliser des câbles conformes aux exigences. Pour plus d'informations, reportez-vous à *Zone de câble page 62* et, concernant la conformité UL, à *Requirements for Compliance with UL294 6th Edition on page 7*.

FR



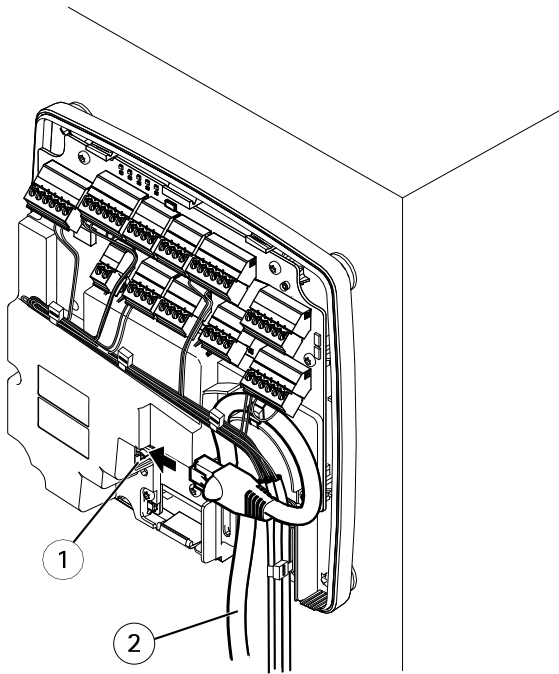
Exemple de raccordement de câbles

- 1 Connecteur à 6 broches
- 2 Câble réseau
- 3 Frette de câbles (x4)
- 4 Connecteur réseau

AXIS A1001 Network Door Controller

Note

- Pour les périphériques qui ont été configurés dans les pages de configuration matérielle du produit, utilisez le schéma des broches du matériel pour vous guider dans le raccordement des broches. Pour plus d'informations sur la configuration matérielle et le schéma des broches, reportez-vous à *Configurer le matériel page 83*.
 - Pour plus d'informations sur le raccordement des autres câbles comme les câbles de raccordement aux verrous, lecteurs et autres périphériques, reportez-vous aux instructions du fabricant.
5. Regroupez tous les câbles correctement et fixez-les à l'aide des frettes de câble fournies.
 6. Étiquetez les câbles pour vous y référer ultérieurement.
 7. Si vous utilisez l'alimentation par Ethernet, raccordez le câble réseau au réseau.
 8. Si vous utilisez une alimentation Ethernet et externe (10 à 30 V CC), raccordez le câble réseau au réseau, puis procédez au raccordement à l'alimentation. Utilisez une source d'alimentation limitée (LPS) conforme aux exigences de Très basse tension de sécurité (TBTS). Pour en savoir plus, consultez *Connecteur d'alimentation page 66*.

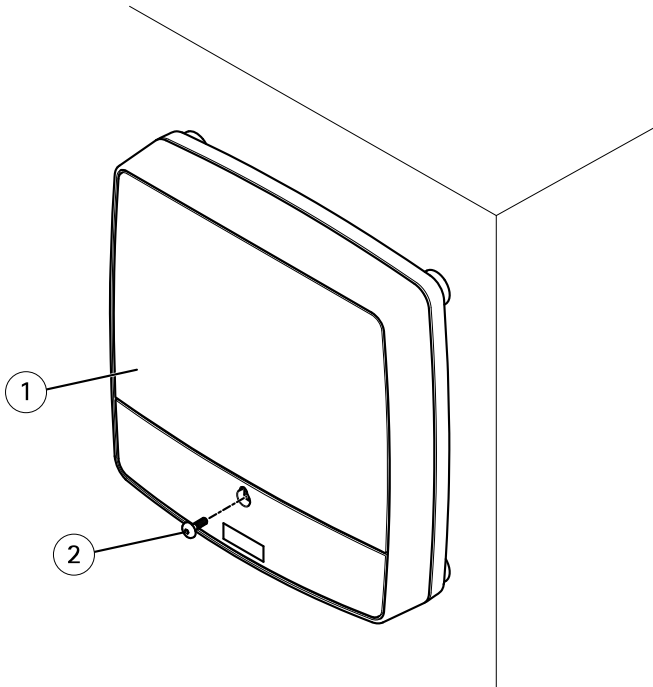


Exemple de raccordement de câbles

- 1 Connecteur réseau

2 Câble réseau

9. Vérifiez que les voyants indiquent les conditions correctes. Cf. *LED Indicators* page 58.
10. Fixez le couvercle à la base et serrez la vis du couvercle.



- 1 Couvercle
- 2 Vis du couvercle (T10)

Accès au produit

Le produit peut être utilisé avec la plupart des systèmes d'exploitation et des navigateurs. Les navigateurs recommandés sont Internet Explorer sous Windows, Safari sous Macintosh et Firefox sous les autres systèmes d'exploitation.

Lors de la première utilisation du produit, vous devez lui attribuer une adresse IP et définir le mot de passe de l'utilisateur administrateur par défaut (**root**).

- Pour attribuer une adresse IP, consultez *page 79*.
- Pour définir le mot de passe root, consultez *page 82*.

Accès au produit à partir d'un navigateur

1. Démarrez un navigateur Web.
2. Saisissez l'adresse IP ou le nom d'hôte du produit Axis dans le champ d'adresse du navigateur.

Si vous ne connaissez pas l'adresse IP, utilisez AXIS IP Utility pour trouver le produit sur le réseau. Pour plus d'informations sur la détection et l'attribution d'une adresse IP, reportez-vous à *Attribution d'une adresse IP page 79*. Ces informations sont également disponibles sur les pages d'assistance technique du site axis.com/support.

3. Saisissez vos nom d'utilisateur et mot de passe. Lors du premier accès au produit, vous devez d'abord configurer le mot de passe root.
4. AXIS Entry Manager s'ouvre dans votre navigateur. La page d'accueil est appelée Overview (Présentation).

Comment accéder au produit à partir d'Internet

Un routeur réseau permet aux produits d'un réseau privé (réseau local) de partager une connexion à Internet. Dans ce cas, le trafic réseau est transféré du réseau privé vers Internet.

La plupart des routeurs sont préconfigurés pour empêcher toute tentative d'accès au réseau privé (réseau local) à partir du réseau public (Internet).

Si le produit Axis se trouve sur un intranet (réseau local) et que vous souhaitez le rendre disponible de l'autre côté (réseau étendu) d'un routeur NAT, activez **NAT traversal (Traversée NAT)**. Lorsque la propriété NAT traversal (Traversée NAT) est correctement configurée, tout le trafic HTTP vers un port HTTP externe du routeur NAT est transféré au produit.

Activation de la fonction NAT traversal (Traversée NAT)

- Allez dans **Setup > Additional Controller Configuration > System Options > Network > TCP/IP > Advanced (Configuration > Configuration du contrôleur supplémentaire > Options système > Réseau > TCP/IP > Avancé)**.
- Cliquez sur **Enable (Activer)**.
- Configurez manuellement votre routeur NAT pour permettre l'accès depuis Internet.

Voir aussi le service AXIS Internet Dynamic DNS sur www.axiscam.net

Note

- Dans ce contexte, un « routeur » fait référence à tout périphérique de routage réseau tel qu'un routeur NAT, un routeur réseau, une passerelle Internet, un routeur haut débit, un périphérique de partage haut débit ou un logiciel tel qu'un pare-feu.
- La fonction NAT traversal (Traversée NAT) fonctionne uniquement si elle est prise en charge par le routeur. Le routeur doit également prendre en charge UPnP®.

Attribution d'une adresse IP

À propos des adresses IP par défaut

Les appareils Axis sont conçus pour être utilisés sur un réseau Ethernet. Vous avez besoin d'une adresse IP pour pouvoir accéder à la page Web de l'appareil. La plupart des réseaux ont un serveur DHCP qui attribue automatiquement des adresses IP aux appareils connectés.

Si votre réseau n'a pas de serveur DHCP, l'adresse IP par défaut est 192 . 168 . 0 . 90.

Méthodes recommandées dans Windows®

AXIS IP Utility et AXIS Camera Management sont recommandés pour trouver des produits Axis sur le réseau et leur attribuer des adresses IP Windows®. Ces deux applications sont gratuites et peuvent être téléchargées depuis www.axis.com/techsup

AXIS IP Utility

Note

L'ordinateur exécutant AXIS IP Utility doit se trouver sur le même segment de réseau (sous-réseau physique) que le périphérique Axis.

Accéder à votre appareil sur le réseau

1. Connectez le périphérique Axis à l'alimentation et au réseau.
2. Lancez AXIS IP Utility. Tous les appareils disponibles sur le réseau apparaissent automatiquement dans la liste.
3. Pour accéder à l'appareil à partir d'un navigateur, double-cliquez sur son nom dans la liste.

Modifier l'adresse IP d'un appareil

1. Lancez AXIS IP Utility. Tous les appareils disponibles sur le réseau apparaissent automatiquement dans la liste.
2. Cliquez avec le bouton droit sur l'appareil dans la liste et sélectionnez **Attribuer une nouvelle adresse IP à l'appareil sélectionné**.
3. Entrez une adresse IP disponible et cliquez sur **Attribuer**.
4. Pour accéder à l'appareil à partir d'un navigateur, double-cliquez sur son nom dans la liste.


AXIS Device Manager

Accéder à votre appareil sur le réseau

1. Connectez le périphérique Axis à l'alimentation et au réseau.
2. Lancez AXIS Device Manager.
3. Pour connecter un serveur, allez sans **Main menu > Servers > New connection (Menu principal > Serveurs > Nouvelle connexion)**:
 - Si le serveur est sur le réseau, sélectionnez **Serveur distant** et un serveur dans la liste déroulante ou entrez l'adresse IP ou l'adresse DNS dans le champ **Serveur distant**.
 - Si le serveur s'exécute localement sur l'ordinateur, sélectionnez **Cet ordinateur**.
4. Pour vous connecter en tant qu'utilisateur Windows actuel, cliquez sur **Connexion**.
Si vous n'utilisez pas **Se connecter en tant qu'utilisateur actuel**, saisissez un nom d'utilisateur et un mot de passe à l'étape suivante.
5. Ajouter des appareils :
 - AXIS Device Manager recherche automatiquement les appareils Axis présents sur le réseau et les ajoute à la liste des appareils.
 - Pour ajouter manuellement des appareils, accédez à **Device management > Add devices (Gestion des appareils > Ajouter des appareils)**. Sélectionnez les appareils que vous souhaitez ajouter depuis la liste, cliquez sur **Suivant**, puis sur **Terminer**.
 - Pour ajouter des appareils depuis une plage d'adresses IP, accédez à **Device management > Add devices from IP range (Gestion des appareils > Ajouter des appareils depuis une plage d'adresses IP)**.
 - Pour ajouter un appareil à partir d'une adresse IP spécifique, accédez à **Device management > Add device from address (Gestion des appareils > Ajouter un appareil depuis une adresse spécifique)**.
6. Pour accéder à l'appareil à partir d'un navigateur, cliquez sur le lien de l'adresse dans la liste.

Modifier les adresses IP de plusieurs appareils

Pour accélérer le processus d'attribution des adresses IP, AXIS Device Manager suggère des adresses IP à partir d'une plage spécifiée.

1. Dans AXIS Device Manager, allez à **Device management (Gestion des appareils)**.
2. Sélectionnez les appareils à configurer, puis cliquez sur **Attribuer une adresse IP aux appareils sélectionnés** .
3. Dans la boîte de dialogue **Maintenance des appareils**, cliquez sur **Oui**.
4. Sélectionnez **Attribuer la plage d'adresses IP suivante**.

5. Pour modifier la plage d'adresses IP suggérée, entrez la plage d'adresses IP dans le champ **Plage IP**.
6. Cliquez sur **Suivant**.
7. Pour modifier l'une des adresses IP, sélectionnez un appareil et cliquez sur **Modifier un IP**.
8. Cliquez sur **Terminer**.

Autres méthodes

FR

Vous trouverez ci-dessous les autres méthodes disponibles pour attribuer ou découvrir des adresses IP.

Windows®

- **UPnP™**
UPnP détecte automatiquement les périphériques Axis et les ajoute à **Réseau** ou **Favoris réseau**.

Mac OS X® 10.4 ou version ultérieure

- **Bonjour** (applicable aux navigateurs compatibles avec Bonjour)
Accédez au signet Bonjour dans votre navigateur, par exemple Safari, puis cliquez sur le lien pour accéder à la page Web.

Tous les systèmes d'exploitation

- **Serveur DHCP**
Pour afficher les pages d'administration du serveur DHCP du réseau, consultez la documentation utilisateur du serveur.
- **Services vidéo hébergés**
Pour vous connecter à un service vidéo hébergé, consultez le guide d'installation du fournisseur de services. Pour trouver plus facilement un fournisseur de services local, visiter www.axis.com/hosting

Attribuer une adresse IP à l'aide d'ARP/Ping

L'adresse IP du périphérique peut être attribuée à l'aide d'ARP/Ping. La commande doit être saisie dans les 2 minutes suivant la mise sous tension.

1. Trouvez une adresse IP statique disponible sur le même segment de réseau que celui de votre ordinateur.
2. Repérez le numéro de série (S/N) sur l'étiquette du périphérique.
3. Ouvrez une invite de commandes et saisissez les commandes suivantes :

Syntaxe pour Linux/Unix

```
arp -s <IP address> <serial number> temp  
ping -s 408 <IP address>
```

Exemple pour Linux/Unix

```
arp -s 192.168.0.125 00:40:8c:18:10:00 temp  
ping -s 408 192.168.0.125
```

Syntaxe Windows (peut nécessiter que vous exécutiez l'invite de commande en tant qu'administrateur)

```
arp -s <IP address> <serial number>  
ping -l 408 -t <IP address>
```

Exemple Windows (peut nécessiter que vous exécutiez l'invite de commande en tant qu'administrateur)

```
arp -s 192.168.0.125 00-40-8c-18-10-00  
ping -l 408 -t 192.168.0.125
```

4. Redémarrez le périphérique en déconnectant et en reconnectant le connecteur réseau.
5. Fermez l'invite de commandes lorsque le périphérique répond par `Reply from 192.168.0.125:...` ou un message similaire.
6. Ouvrez un navigateur et saisissez `http://<Adresse IP>` dans le champ d'adresse.

Note

- Pour ouvrir une invite de commandes sous Windows, ouvrez le menu **Démarrer**, puis recherchez `cmd`.
- Pour utiliser la commande ARP sous Windows 8/Windows 7/Windows Vista, cliquez avec le bouton droit sur l'icône d'invite de commandes et sélectionnez **Run as administrator** (**Exécuter en tant qu'administrateur**).
- Pour ouvrir une invite de commande dans Mac OS X, ouvrez l'utilitaire **Terminal** dans **Application > Utilities** (**Application > Utilitaires**).

Comment définir le mot de passe racine

Pour accéder au produit Axis, vous devez définir le mot de passe de l'utilisateur **racine** par défaut (administrateur). Vous pouvez le faire depuis la boîte de dialogue **Configure Root Password** (Configurer le mot de passe Root) qui s'ouvre lors du premier accès au produit.

Pour éviter les écoutes électroniques, la configuration du mot de passe root peut être effectuée via une connexion HTTPS cryptée requérant un certificat HTTPS. Le protocole HTTPS (Hypertext Transfer Protocol over Secure Socket Layer) est utilisé pour crypter le trafic entre les navigateurs Web et les serveurs. Le certificat HTTPS garantit l'échange crypté des informations.

Le nom d'utilisateur par défaut de l'administrateur **root** est permanent et ne peut pas être supprimé. Si vous perdez le mot de passe du nom d'utilisateur **root**, les paramètres d'usine par défaut du produit devront être rétablis. Pour plus d'informations sur la restauration des paramètres par défaut du produit, voir le manuel de l'utilisateur.

Pour configurer le mot de passe, saisissez-le directement dans la boîte de dialogue.

Configurer le matériel

Configurez le matériel dans les pages **Hardware Configuration (Configuration matérielle)** avant d'installer le produit.

Vous pouvez connecter des lecteurs, verrous et autres périphériques au produit Axis avant de terminer la configuration matérielle. Cependant, la connexion des périphériques sera plus facile à réaliser si vous complétez d'abord la configuration matérielle. En effet, un schéma des broches du matériel est disponible une fois la configuration terminée. Ce schéma indique comment connecter les périphériques aux broches et peut être utilisé comme fiche de référence pour l'entretien. Pour les instructions d'entretien, voir *page 87*.

Pour configurer le matériel, sélectionnez l'une des méthodes suivantes :

- Importez un fichier de configuration matérielle. Voir *page 83*.
- Créez une nouvelle configuration matérielle. Voir *page 84*.

Note

Si le matériel du produit n'a pas été configuré auparavant ou a été supprimé, **Hardware Configuration (Configuration matérielle)** sera disponible dans le panneau de notification de la page Vue d'ensemble.

Comment importer un fichier de configuration matérielle

L'importation d'un fichier de configuration matérielle peut accélérer la configuration matérielle du produit Axis.

Pour plus d'informations sur l'exportation de fichiers de configuration matérielle, reportez-vous au manuel de l'utilisateur.

Pour importer un fichier de configuration matérielle :

1. Allez dans **Setup > Hardware Configuration (Configuration > Configuration matérielle)**.
2. Cliquez sur **Import hardware configuration (Importer la configuration matérielle)** ou, s'il existe déjà une configuration matérielle, sur **Reset and import hardware configuration (Réinitialiser et importer la configuration matérielle)**.
3. Dans la boîte de dialogue du navigateur de fichiers qui s'affiche, recherchez et sélectionnez le fichier de configuration matérielle (*.json) sur votre ordinateur.
4. Cliquez sur **OK**.

Branchement du matériel

Pour brancher le matériel :

1. Si nécessaire, retirez la vis du couvercle, insérez un tournevis à fente dans la fente permettant le retrait du couvercle et retirez ce dernier.

2. Raccordez le produit Axis au réseau et attendez que la connexion réseau soit établie et que le produit soit sous tension. Si le produit n'est pas alimenté par Ethernet mais utilise une alimentation Ethernet et externe, raccordez-le également à une source d'alimentation limitée (LPS) conforme aux exigences de Très basse tension de sécurité (TBTS). Pour plus d'informations concernant le connecteur d'alimentation (entrée CC), reportez-vous aux *Caractéristiques techniques page 60*

Créer une nouvelle configuration matérielle

Suivez les instructions selon vos exigences :

- *Comment créer une nouvelle configuration matérielle sans périphériques page 84*
- *Comment créer une nouvelle configuration matérielle pour les verrous sans fil page 84*
- *Comment créer une nouvelle configuration matérielle avec le contrôleur d'ascenseur (AXIS A9188) page 85*

Comment créer une nouvelle configuration matérielle sans périphériques

1. Allez dans Setup > Hardware Configuration (Configuration > Configuration matérielle) et cliquez sur Start new hardware configuration (Démarrer une nouvelle configuration matérielle).
2. Saisissez un nom pour le produit Axis.
3. Sélectionnez le nombre de portes connectées, puis cliquez sur Next (Suivant).
4. Cliquez sur Close (Fermer) ou cliquez sur le lien pour afficher le schéma des broches du matériel.

Comment créer une nouvelle configuration matérielle pour les verrous sans fil

1. Allez dans Setup > Hardware Configuration (Configuration > Configuration matérielle) et cliquez sur Start new hardware configuration (Démarrer une nouvelle configuration matérielle).
2. Saisissez un nom pour le produit Axis.
3. Dans la liste des périphériques, sélectionnez un fabricant de passerelle sans fil.
4. En fonction du fabricant de la serrure, continuez selon l'un des éléments de liste :
 - **ASSA Aperio** : Cliquez sur le lien pour afficher le graphique des connexions de broches du matériel ou cliquez sur Fermer et allez dans Setup > Hardware Reconfiguration (Configuration > Reconfiguration matérielle) pour terminer la configuration, voir *Ajouter des portes et appareils Assa Aperio™ page 85*
 - **SmartIntego** : Cliquez sur le lien pour afficher le graphique des connexions de broches du matériel ou sur **Click here to select wireless gateway and configure doors** (Cliquez ici pour sélectionner la passerelle sans fil et configurer les portes) pour terminer la configuration, voir *Comment configurer SmartIntego page 86*.

Comment créer une nouvelle configuration matérielle avec le contrôleur d'ascenseur (AXIS A9188)

Important

Avant de créer une configuration matérielle, vous devez ajouter un utilisateur dans AXIS A9188 Network I/O Relay Module. Allez à l'interface Web A9188 > Preferences > Additional device configuration > Basic setup > Users > Add > User setup (Préférences > Configuration d'appareil supplémentaire > Configuration de base > Utilisateurs > Ajouter > Configuration d'utilisateur).

Note

Vous pouvez configurer au maximum 2 modules AXIS A9188 Network I/O Relay Module avec chaque contrôleur de porte réseau Axis

1. Dans A1001, accédez à Setup > Hardware Configuration (Configuration > Configuration matérielle) et cliquez sur Start new hardware configuration (Créer une nouvelle configuration matérielle).
2. Saisissez un nom pour le produit Axis.
3. Dans la liste des périphériques, sélectionnez Elevator control (Contrôleur d'ascenseur) pour inclure un module AXIS A9188 Network I/O Relay Module et cliquez sur Next (Suivant).
4. Saisissez un nom pour le lecteur connecté.
5. Sélectionnez le protocole de lecture qui sera utilisé, puis cliquez sur Finish (Terminer).
6. Cliquez sur Network Peripherals (Périphériques réseau) pour terminer la configuration (voir) ou cliquez sur le lien pour accéder au schéma des broches du matériel.

Ajouter des portes et appareils Assa Aperio™

Avant d'être ajoutée au système, une porte sans fil doit être associée au hub de communication Assa Aperio connecté à l'aide d'Aperio PAP (outil d'application de programmation Aperio).

Pour ajouter une porte sans fil :

1. Accédez à Setup (Configuration) > Hardware Reconfiguration (Reconfiguration matérielle).
2. Sous Wireless Doors and Devices (Portes et dispositifs sans fil) cliquez sur Add door (Ajouter porte).
3. Dans le champ Door name (Nom de la porte) : saisissez un nom descriptif.
4. Dans le champ ID sous Lock (Verrou) : Saisissez l'adresse à six caractères de l'appareil que vous souhaitez ajouter. L'adresse de l'appareil est imprimée sur l'étiquette du produit.
5. En option, sous Capteur de position de porte : Choisissez Capteur de position de porte intégré ou Capteur de position de porte externe.

AXIS A1001 Network Door Controller

Note

Si vous utilisez un interrupteur de position de porte externe (DPS), assurez-vous que le dispositif de verrouillage Aperio prend en charge la détection de l'état de la poignée de porte avant de le configurer.

6. En option, dans le champ ID sous **Capteur de position de porte** : Saisissez l'adresse à six caractères de l'appareil que vous souhaitez ajouter. L'adresse du dispositif est imprimée sur l'étiquette du produit.
7. Cliquez sur **Add(Ajouter)**.

Conditions préalables pour SmartIntego

Les conditions préalables suivantes doivent être satisfaites avant de procéder à la configuration SmartIntego :

- Il faut créer un fichier csv. Le fichier csv contient des informations sur GatewayNode et les portes utilisées dans votre solution SmartIntego. Le fichier est créé dans un logiciel autonome fourni par un partenaire SimonsVoss.
- La configuration matérielle de SmartIntego a été effectuée, voir *Comment créer une nouvelle configuration matérielle pour les verrous sans fil page 84*.

Note

- Vous devez disposer de la version 2.1.6452.23485, build 2.1.6452.23485 (8/31/2017 1:02:50 PM) ou d'une version ultérieure de l'outil de configuration SmartIntego.
- La norme Advanced Encryption Standard (AES) n'est pas prise en charge pour SmartIntego. Elle doit donc être désactivée dans l'outil de configuration SmartIntego.

Comment configurer SmartIntego

Note

- Assurez-vous que les conditions préalables répertoriées ont été respectées.
 - Pour une meilleure visibilité de l'état de la batterie, accédez à **Setup (Configuration) > Configure event and alarms logs (Configurer journaux événements et alarmes)**, puis ajoutez **Door — Battery alarm (Porte — Alarme batterie)** ou **IdPoint — Battery alarm (IdPoint — Alarme batterie)** comme alarme.
 - Les paramètres de contrôle de la porte proviennent du fichier CSV importé. Aucune modification de ce paramètre n'est nécessaire dans une installation normale.
1. Cliquez sur **Browse... (Parcourir...)**, sélectionnez le fichier CSV et cliquez sur **Upload file (Télécharger un fichier)**.
 2. Choisissez un GatewayNode et cliquez sur **Suivant**.
 3. Un aperçu de la nouvelle configuration s'affiche. Désactivez les moniteurs de porte si nécessaire.
 4. Cliquez sur **Configure (Configurer)**.

5. Un aperçu des portes incluses dans la configuration s'affiche. Cliquez sur **Settings (Paramètres)** pour configurer chaque porte individuellement.

Réinitialiser les paramètres par défaut

Important

La réinitialisation aux paramètres par défaut doit être utilisée avec prudence. Cette opération restaure tous les paramètres, y compris l'adresse IP.

FR

Pour réinitialiser l'appareil aux paramètres d'usine par défaut :

1. Déconnectez l'alimentation de l'appareil.
2. Maintenez le bouton de commande enfoncé en remettant l'appareil sous tension. Cf. .
3. Appuyez sur le bouton de commande pendant 25 secondes jusqu'à ce que le voyant d'état passe à l'orange une seconde fois.
4. Relâchez le bouton de commande. Le processus est terminé lorsque le voyant d'état passe au vert. Les paramètres d'usine par défaut de l'appareil ont été rétablis. En l'absence d'un serveur DHCP sur le réseau, l'adresse IP par défaut est 192 . 168 . 0 . 90.
5. Utilisez les outils d'installation et de gestion pour attribuer une adresse IP, configurer le mot de passe et accéder au produit.

Vous pouvez également restaurer les paramètres par défaut à partir de l'interface Web. Allez dans **Setup > Additional Controller Configuration > Setup > System Options > Maintenance (Configuration > Configuration contrôleur supplémentaire > Configuration > Options système > Maintenance)**, puis cliquez sur **Default (Par défaut)**.

Instructions d'entretien

Pour garantir le fonctionnement du système de contrôle d'accès, Axis recommande son entretien régulier, y compris les contrôleurs de portes et les appareils connectés.

Faites l'entretien au moins une fois par an. La procédure d'entretien proposée comprend notamment les étapes suivantes :

- Assurez-vous que toutes les connexions entre le contrôleur de porte et les appareils externes sont sécurisées.
- Vérifiez toutes les connexions matérielles. Cela nécessite l'accès aux pages Web du produit. Pour plus d'informations, reportez-vous au manuel de l'utilisateur.
- Vérifiez que le système, y compris les appareils externes connectés, fonctionne correctement.
 - Scannez une carte et testez les lecteurs, les portes et les verrous.
 - Si le système comprend des appareils REX, des capteurs ou d'autres appareils, testez-les aussi.
 - Si activées, testez les alarmes de falsification.

AXIS A1001 Network Door Controller

Si après avoir effectué l'une des étapes ci-dessus vous constatez des pannes ou comportements inattendus :

- Testez les signaux des fils en utilisant l'équipement approprié et vérifiez si les fils ou câbles sont endommagés de quelque manière que ce soit.
- Remplacez tous les câbles et fils endommagés ou défectueux.
- Une fois que les câbles et les fils ont été remplacés, vérifiez à nouveau toutes les connexions matérielles. Cela nécessite l'accès aux pages Web du produit. Pour plus d'informations, reportez-vous au manuel de l'utilisateur.
- Assurez-vous que tous les horaires d'accès, les portes, les groupes et les utilisateurs sont à jour. Cela nécessite l'accès aux pages Web du produit. Pour plus d'informations, reportez-vous au Mode d'emploi.
- Si le contrôleur de porte ne se comporte pas comme prévu, consultez le Mode d'emploi pour plus d'informations sur le dépannage et les fonctions d'entretien intégrées du produit.

Pour plus d'informations sur l'entretien de la batterie, voir et *Batterie page 51*.

Informations complémentaires

- Pour obtenir la version la plus à jour de ce document, voir *axis.com*
- Le manuel d'utilisateur est disponible sur le site *axis.com*
- Pour vérifier s'il existe un firmware mis à jour pour votre appareil, voir *axis.com/support*
- Pour accéder à des formations et webinaires en ligne utiles, voir *axis.com/academy*

Informations sur la garantie

Pour plus d'informations sur la garantie du produit Axis et les informations connexes, rendez-vous sur *axis.com/warranty*

Sicherheitsinformationen

Gefährdungsstufen

▲GEFAHR

Weist auf eine gefährliche Situation hin, welche, falls nicht verhindert, zu Tod oder schweren Verletzungen führen kann.

▲WARNUNG

Weist auf eine gefährliche Situation hin, welche, falls nicht verhindert, zu Tod oder schweren Verletzungen führen kann.

▲VORSICHT

Weist auf eine gefährliche Situation hin, welche, falls nicht verhindert, zu geringfügiger oder mäßiger Verletzung führen kann.

HINWEIS

Weist auf eine gefährliche Situation hin, welche, falls nicht verhindert, zu Sachschäden führen kann.

DE

Andere Meldeebenen

Wichtig

Weist auf wichtige Informationen hin, die den richtigen Betrieb des Produkts gewährleisten.

Beachten

Weist auf nützliche Informationen hin, die die optimale Verwendung des Produkts unterstützen.

Sicherheitsanweisungen

⚠ WARNUNG

Das Axis Produkt muss von fachmännisch geschultem Personal und unter Einhaltung der örtlich geltenden Bestimmungen installiert werden.

HINWEIS

- Das Axis-Produkt muss unter Beachtung der geltenden Gesetze und Bestimmungen betrieben werden.
- Axis empfiehlt, ein abgeschirmtes Netzkabel (STP) zu verwenden.
- Axis empfiehlt, ein abgeschirmtes Netzkabel der Kategorie CAT5e oder höher zu verwenden.
- Für den Einsatz von Axis-Produkten im Außenbereich oder ähnlichen Umgebungen müssen diese in für den Außenbereich zugelassenen Gehäusen installiert werden.
- Lagern Sie das Axis Produkt in einer trockenen und belüfteten Umgebung.
- Das Axis-Produkt weder Stößen noch starkem Druck aussetzen.
- Das Produkt nicht an instabilen Masten, Halterungen, Oberflächen oder Wänden anbringen.
- Verwenden Sie bei der Installation des Axis Produkts ausschließlich passende Werkzeuge. Ein zu großer Kraftaufwand mit elektrischen Werkzeugen kann das Produkt beschädigen.
- Verwenden Sie keine chemischen, ätzenden oder aerosolhaltigen Reinigungsmittel.
- Verwenden Sie zum Reinigen ein sauberes, mit destilliertem Wasser angefeuchtetes Tuch.
- Verwenden Sie nur Zubehör, das den technischen Vorgaben Ihres Produkts entspricht. Dieses ist von Axis oder Drittanbietern erhältlich. Axis empfiehlt die mit Ihrem Produkt kompatible Stromversorgung von Axis.
- Verwenden Sie ausschließlich Ersatzteile die von Axis angeboten oder empfohlen werden.
- Versuchen Sie nicht, dieses Produkt selbsttätig zu reparieren. Wenden Sie sich bezüglich Reparatur und Wartung an den Axis Support oder Ihren Axis Händler.
- Das Netzteil sollte an eine Steckdose in der Nähe des Produkts angeschlossen werden und sollte leicht zugänglich sein.
- Verwenden Sie eine Stromquelle mit begrenzter Leistung (LPS), entweder mit einer Nennausgangsleistung von ≤ 100 W oder einem begrenzten Nennausgangsstrom von ≤ 5 A.

Transport

HINWEIS

- Bei Bedarf transportieren Sie das Axis Produkt in der Originalverpackung oder einer entsprechenden Verpackung, so dass Schäden vermieden werden.

Batterie

Das Axis-Produkt ist mit einer 3,0 V-CR2032-Lithium-Batterie ausgestattet, mit der die interne Echtzeituhr (RTC) versorgt wird. Unter normalen Bedingungen hat die Batterie eine Lebensdauer von mindestens fünf Jahren.

Eine nicht ausreichend geladene Batterie beeinträchtigt den Betrieb der Echtzeituhr, die dann bei jedem Systemstart zurückgesetzt wird. Sie erhalten eine Protokollnachricht im Serverbericht des Produkts, wenn ein Batteriewechsel erforderlich ist. Weitere Informationen zum Serverbericht finden Sie auf den Webseiten des Produkts, oder wenden Sie sich an den Axis-Support.

Lithium-Knopfzellen (3,0 V) enthalten 1,2-Dimethoxyethan; Ethylenglycoldimethylether (EGDME), CAS-Nr. 110-71-4.

⚠️ WARNUNG

- Explosionsgefahr bei fehlerhaftem Batteriewechsel.
- Die Batterie darf nur durch eine identische Batterie ersetzt werden.
- Verbrauchte Batterien gemäß den örtlichen Vorschriften oder den Anweisungen des Herstellers entsorgen.

Installationsanleitung – Vollversion

Diese Vollversion der Installationsanleitung enthält Anweisungen zur Installation des AXIS A1001 Netzwerk-Tür-Controllers in Ihrem Netzwerk.

- Eine Kurzanleitung finden Sie im gedruckten Dokument **AXIS A1001 Installationsanleitung – Kurzanleitung**, das im Lieferumfang enthalten ist. Die Kurzanleitung ist auch unter www.axis.com verfügbar.
- Weitere Informationen zur Nutzung dieses Produkts finden Sie im **AXIS A1001 Benutzerhandbuch** unter www.axis.com.

DE

Installationsschritte

1. Stellen Sie sicher, dass die Packungsinhalte, Werkzeuge und andere notwendige Materialien für die Installation in Ordnung sind. Siehe *Seite 93*.
2. Machen Sie sich mit der Hardware-Übersicht vertraut. Siehe *Seite 94*.
3. Machen Sie sich mit den technischen Daten vertraut. Siehe *Seite 100*.
4. Installieren Sie die Hardware. Siehe *Seite 110*.
5. Zugriff auf das Produkt. Siehe .

Lieferumfang

- AXIS A1001 Netzwerk-Tür-Controller
- Kabelbinder (4x)
- Schraube für Abdeckung
- 6-poliger Anschlussstecker (5x) (eingesteckt)
 - Leser-E/A (blau)
 - Leser-E/A (rot)
 - Leser-Daten (weiß)
 - Leser-Daten (gelb)
 - Strom und Relais (orange)
- 4-poliger Anschlussstecker (5x) (eingesteckt)
 - Audio (weiß)
 - Zusatzanschluss (gelb)
 - Tür-Eingang (blau)
 - Tür-Eingang (rot)
 - Stromversorgung Verriegelung (orange)
- 2-poliger Anschlussstecker (eingesteckt)
 - Stromversorgung (schwarz)

AXIS A1001 Network Door Controller

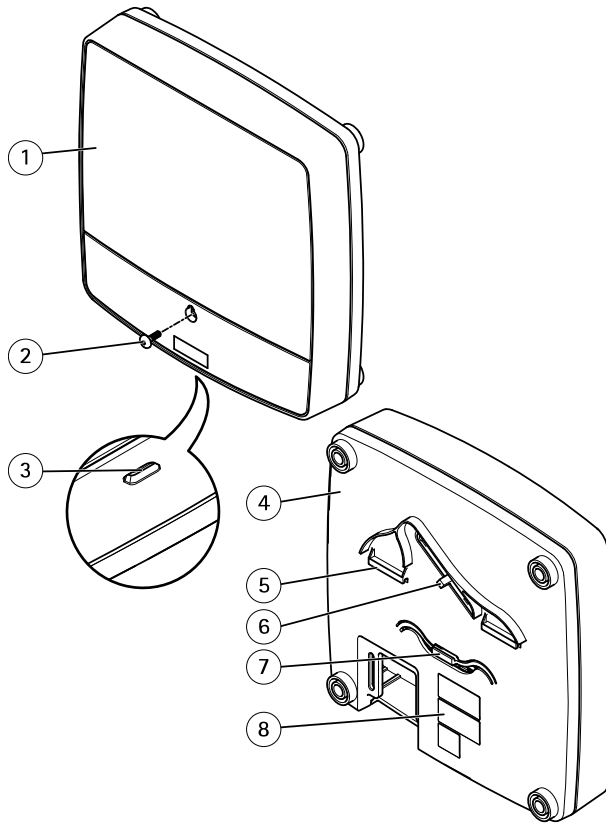
- Gedruckte Dokumente
 - AXIS A1001 Installationsanleitung – Kurzanleitung
 - Zusätzliche Etiketten mit der Seriennummer (2x)
 - AVHS-Authentifizierungsschlüssel

Empfohlene Werkzeuge

- Bohrmaschine (für Wand- oder Deckenmontage)
- Schraubendreher (für Wand- oder Deckenmontage)
- Schlitzschraubendreher (zum Öffnen der Abdeckung)
- Torx-Schraubendreher (T10) (zum Festziehen der Abdeckungsschraube)
- Abisoliergerät

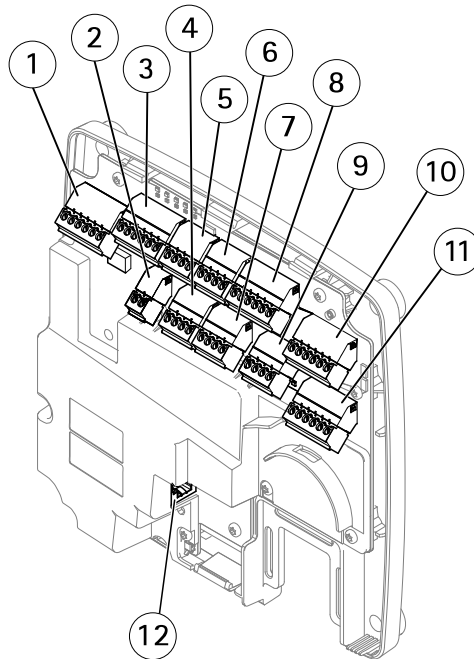
Übersicht über die Hardware

Die technischen Daten für Hardwarekomponenten finden Sie unter .



Vorder- und Rückseite:

- 1 Abdeckung
- 2 Schraube für Abdeckung
- 3 Schlitz zum Entfernen der Abdeckung
- 4 Grundplatte
- 5 DIN-Halterung – obere
- 6 Manipulationsalarmschalter – Rückseite
- 7 DIN-Halterung – untere
- 8 Bestellnummer (P/N) und Seriennummer (S/N)



E/A-Schnittstelle:

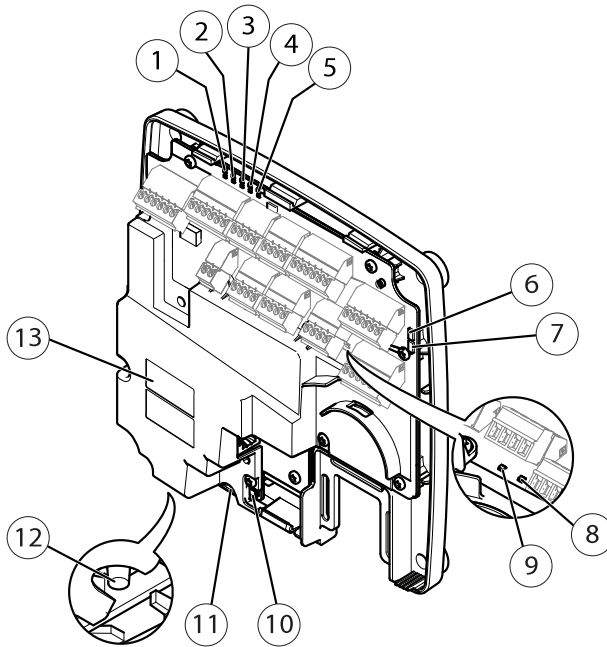
- 1 Leser-Daten-Anschluss (READER DATA 1)
- 10 Leser-Daten-Anschluss (READER DATA 2)
- 3 Leser-E/A-Anschluss (READER I/O 1)
- 8 Leser-E/A-Anschluss (READER I/O 2)
- 4 Türanschluss (DOOR IN 1)
- 7 Türanschluss (DOOR IN 2)
- 6 Zusatzanschluss (AUX)
- 5 Audioanschluss (AUDIO) (nicht verwendet)

Externe Stromanschlüsse:

- 2 Netzanschluss (DC IN)
- 12 Netzwerkanschluss (PoE)

Stromausgänge:

- 9 Stromanschluss für Schloss (LOCK)
- 11 Netz- und Relaisanschluss (PWR, RELAY)



LED-Anzeigen, Tasten und andere Hardware:

- 1 LED-Betriebsanzeige
- 2 LED-Statusanzeige
- 3 LED-Netzwerkanzeige
- 4 LED-Anzeige für Leser 2 (nicht verwendet)
- 5 LED-Anzeige für Leser 1 (nicht verwendet)
- 6 Stiftleiste für Manipulationsalarm – Vorderseite (TF)
- 7 Stiftleiste für Manipulationsalarm – Rückseite (TB)
- 8 LED-Anzeige für Schloss
- 9 LED-Anzeige für Schloss
- 10 Manipulationsalarmsensor – Vorderseite
- 11 SD-Speicherkarteneinschub (microSDHC) (nicht verwendet)
- 12 Steuertaste
- 13 Bestellnummer (P/N) und Seriennummer (S/N)

AXIS A1001 Network Door Controller

LEDs

LED	Farbe	Bedeutung
Netzwerk	Grün	Leuchtet bei Verbindung mit einem 100 MBit/s-Netzwerk. Blinkt bei Netzwerkaktivität.
	Gelb	Leuchtet bei Verbindung mit einem 10 MBit/s-Netzwerk. Blinkt bei Netzwerkaktivität.
	Leuchtet nicht	Keine Netzwerkverbindung vorhanden.
Status	Grün	Leuchtet bei Normalbetrieb grün.
	Gelb	Leuchtet beim Start und beim Wiederherstellen der Einstellungen.
	Rot	Blinkt langsam bei einem Aktualisierungsfehler.
Stromversorgung	Grün	Normaler Betrieb.
	Gelb	Blinkt grün/gelb bei der Firmware-Aktualisierung.
Schloss	Grün	Konstant im spannungslosen Zustand.
	Rot	Konstant bei anliegender Spannung.
	Leuchtet nicht	Potentialfrei.

Beachten

- Die Status-LED kann so eingestellt werden, dass sie blinkt, wenn ein Ereignis aktiv ist.
- Die Status-LED kann so eingestellt werden, dass sie blinkt, wenn die Einheit erkannt wird. Rufen Sie **Setup > Additional Controller Configuration > System Options > Maintenance (Setup > Grundeinstellungen des Controllers > Systemoptionen > Wartung)** auf.

Anschlüsse und Tasten

Zu technischen Daten und Betriebsbedingungen, siehe *Seite 100*.

E/A-Schnittstelle

Leser-Daten-Anschlüsse

Zwei 6-polige Anschlussblöcke mit Unterstützung für RS485- und Wiegand-Protokolle zur Kommunikation mit dem Leser. Technische Daten finden Sie auf *Seite 103*.

Leser-E/A-Anschlüsse

Zwei 6-polige Anschlussblöcke für Lesereingang und -ausgang. Abgesehen vom 0 V DC-Bezugspunkt und Strom (Gleichstromausgang) verfügt der Leser-E/A-Anschluss über eine Schnittstelle zum:

- Digitaleingang – z. B. zum Anschließen eines Leser-Manipulationsalarms.
- Digitalausgang – z. B. zum Anschließen von Leser-Signaltonegebern und Leser-LEDs.

Technische Daten finden Sie auf *Seite 103*.

Türanschlüsse

Zwei 4-polige Anschlussblöcke zum Anschließen von Türüberwachungsgeräten und REX-Geräten (Request to Exit). Technische Daten finden Sie auf *Seite 104*.

Zusatzanschluss

4-poliger konfigurierbarer E/A-Anschlussblock. Zur Verwendung mit externen Geräten in Verbindung mit Manipulationsalarmen, Ereignisauslösung, Alarmbenachrichtigungen usw. Abgesehen vom 0 V DC-Bezugspunkt und Strom (Gleichstromausgang) verfügt der Zusatzanschluss über eine Schnittstelle zum:

- Digitaleingang – Alarmeingang für den Anschluss von Geräten, die zwischen geöffnetem und geschlossenem Schaltkreis wechseln können, z. B. PIR-Sensoren oder Glasbruchmelder.
- Digitalausgang – zum Anschluss externer Geräte wie Einbruchalarms, Sirenen oder Leuchten. Angeschlossene Geräte können über die VAPIX®-API (Application Programming Interface) oder eine Aktionsregel aktiviert werden.

Technische Daten finden Sie auf *Seite 105*.

Externe Stromanschlüsse

HINWEIS

Das Produkt muss mit einem abgeschirmten Netzkabel (STP) angeschlossen werden. Alle Kabel, die das Produkt mit dem Netzwerkschalter verbinden, müssen hierfür ausgelegt sein. Stellen Sie sicher, dass die Netzwerkgeräte gemäß den Anweisungen des Herstellers installiert wurden. Informationen zu gesetzlichen Bestimmungen finden Sie unter *Electromagnetic compatibility (EMC) on page 4*.

Netzanschluss

2-poliger Anschlussblock für die Gleichstromversorgung. Verwenden Sie eine mit den Anforderungen für Schutzkleinspannung (SELV) kompatible Stromquelle mit begrenzter Leistung (LPS), entweder mit einer Nennausgangsleistung von ≤ 100 W oder einem dauerhaft auf ≤ 5 A begrenzten Nennausgangsstrom. Technische Daten finden Sie auf *Seite 106*.

Netzwerkanschluss

RJ-45-Ethernetanschluss. Unterstützt Power over Ethernet (PoE). Technische Daten finden Sie auf *Seite 107*.

Stromausgänge

Stromanschluss Schloss

AXIS A1001 Network Door Controller

Vierpoliger Anschlussblock für ein oder zwei Schlösser. Dieser Anschluss kann auch zur Stromversorgung externer Geräte verwendet werden. Technische Daten finden Sie auf *Seite 107*.

Netz- und Relaisanschluss

Sechspoliger Anschlussblock für den Netzanschluss und das Relais von Türsteuergeräten für externe Geräte wie Schlösser und Sensoren. Technische Daten finden Sie auf *Seite 107*.

Tasten und andere Hardware

Stiftleiste für Manipulationsalarm

Zwei 2-polige Stiftleisten zum Trennen des vorderen und rückseitigen Manipulationsalarms. Technische Daten finden Sie auf *Seite 108*.

Steuertaste

Die Steuertaste hat folgende Funktionen:

- Zurücksetzen des Produkts auf die Werkseinstellungen. Siehe *Seite 127*.
- Verbinden mit einem AXIS Video Hosting System-Service oder einem AXIS Internet Dynamic DNS-Service. Weitere Informationen zu diesen Diensten finden Sie in der Bedienungsanleitung.

Technische Daten

Betriebsbedingungen

Das Axis Produkt ist für die Verwendung in Innenräumen ausgelegt.

Klassifikation	Temperatur	Luftfeuchtigkeit
IEC 60721-4-3 Klasse 3K3, 3M3	0 °C bis 50 °C	20 bis 85 % rF (nicht kondensierend)

Stromverbrauch

HINWEIS

Verwenden Sie eine mit den Anforderungen für Schutzkleinspannung (SELV) kompatible Stromquelle mit begrenzter Leistung (LPS), entweder mit einer Nennausgangsleistung von ≤ 100 W oder einem dauerhaft auf ≤ 5 A begrenzten Nennausgangsstrom.

AXIS A1001 Network Door Controller

DE

Netzteil	Max. Last an Ausgängen
Power over Ethernet IEEE 802.3af/802.3at Typ 1 Klasse 3, 44 bis 57 V DC	7,5 W
10 bis 30 V DC, max. 26 W	14 W

Stromausgangskonvertierung (A in W)

Wenn das an das Axis Produkt angeschlossene Gerät nur über eine Ampere (A)-Zertifizierung verfügt, hilft die folgende Methode bei der Konvertierung in Watt (W).

Die maximale Gesamtausgangslast des Axis Produkts hängt von der Stromquelle ab:

Stromquelle	Maximale Gesamtlast an den Ausgängen
Power over Ethernet IEEE 802.3af/802.3at Typ 1, Klasse 3	7,5 W
10 bis 30 V DC	14 W

Die Spannung an den Stromausgängen des Axis Produkts beträgt 12 V DC (außer am Zusatzanschluss mit einer Spannung von 3,3 V DC). Wenn das angeschlossene Gerät beispielsweise über eine Ampere-Zertifizierung von 0,3 A verfügt, kann die Stromstärke mit folgender Konvertierung in Watt (W) umgerechnet werden:

Leistung (W) = Spannung (V) x Stromstärke (I)

Leistung = 12 x 0,3 = 3,6 W

Die folgende Tabelle zeigt die verfügbare Leistung nach Anschluss des 0,3-A-Geräts für dieses Beispiel.

Stromquelle	Verfügbare Leistung
Power over Ethernet IEEE 802.3af/802.3at Typ 1, Klasse 3	7,5 – 3,6 = 3,9 W
10 bis 30 V DC	14 – 3,6 = 10,4 W

Die DC-Ausgänge der folgenden Anschlüsse gelten als Stromausgänge: '

- Stromanschluss (Schloss)
- Netz- und Relaisanschluss

AXIS A1001 Network Door Controller

- Leser-E/A-Anschluss
- Zusatzanschluss

HINWEIS

Der Stromausgang des Zusatzanschlusses verfügt über eine Spannung von 3,3 V DC.

Für technische Daten der Anschlüsse siehe *Stromanschluss auf Seite 106* und *Netzwerkanschluss auf Seite 107*.

Leistungsebenen für die Zutrittskontrolle

Dieser Abschnitt enthält Informationen über die Leistungsebenen, die für die UL 294-Konformität erforderlich sind.

Funktion	Ebene
Zerstörungstest	I
Leitungsabsicherung	I
Härtetest	IV
Notstromversorgung	I

Aderquerschnitt

HINWEIS

Jede Ader muss einen Leiterquerschnitt aufweisen, der einem Leiterquerschnittsbereich nach AWG 28–16 (CSA) oder AWG 22–14 (cUL/UL) entspricht. Verwenden Sie Kabel, die den örtlichen Vorschriften entsprechen.

AWG	Durchmesser mm	Querschnitt mm ²
28–16	0.321–1.29 (0.0126–0.0508)	0.0810–1.31
22–14	0.644–1.63 (0.0253–0.0641)	0.326–2.08

Anschlüsse

Für Informationen zur Lage der Anschlüsse siehe *Übersicht über die Hardware auf Seite 94*.

Für Anschluss Schaltbilder und Informationen zur bei der Hardwarekonfiguration erstellten Belegungsübersicht der Pins, siehe *Anschluss Schaltbilder auf Seite 109* und *Die Hardware konfigurieren auf Seite 123*.

Der folgende Abschnitt dokumentiert die technischen Daten der Anschlüsse.

Leser-Daten-Anschluss

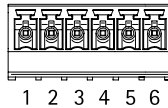
6-poliger Anschlussblock für die Kommunikation mit dem Leser (unterstützt RS485- und Wiegand-Protokoll).

Die RS485-Ports unterstützen:

- Zweiadrig RS485 Halbduplex
- Vieradrig RS485 Vollduplex

Die Wiegand-Ports unterstützen:

- Zweiadrig Wiegand



Funktion		Kontakt	Hinweise
RS485	A-	1	RS485 für Vollduplex RS485 für Halbduplex
	B+	2	
RS485	A-	3	RS-485 für Vollduplex RS-485 für Halbduplex
	B+	4	
Wiegand	D0 (Daten 0)	5	Für Wiegand
	D1 (Daten 1)	6	

Wichtig

Die RS-485-Ports besitzen eine feste Baudrate von 9600 Bit/s.

Wichtig

Die Kabellänge darf 30 m nicht überschreiten.

Wichtig

Die Ausgangsstromkreise dieses Abschnitts sind nach Klasse 2 leistungsbegrenzt.

Leser-E/A-Anschluss

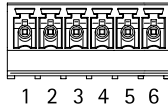
6-poliger Anschlussblock für:

- Zusatzstromversorgung (Gleichstromausgang)

AXIS A1001 Network Door Controller

- Digitaleingang
- Digitalausgang
- 0 V DC (-)

Kontakt 3 an den Leser-E/A-Anschlüssen kann überwacht werden. Bei Unterbrechung der Verbindung wird ein Ereignis ausgelöst. Bringen Sie zur Verwendung überwachter Eingänge Abschlusswiderstände an. Beachten Sie das Anschlussschaltbild für überwachte Eingänge. Siehe Seite 110.



Funktion	Kontakt	Hinweise	Technische Daten
0 V DC (-)	1		0 V DC
Gleichstromausgang	2	Zur Stromversorgung von Zusatzgeräten. Hinweis: Dieser Kontakt kann nur für den Stromausgang verwendet werden.	12 V DC Max. Stromstärke = 300 mA
Konfigurierbar (Ein- oder Ausgang)	3-6	Digitaleingang – Zum Aktivieren mit Kontakt 1 verbinden; zum Deaktivieren nicht anschließen.	0 bis max. 40 V DC
		Digitalausgang – Zum Aktivieren mit Kontakt 1 verbinden; zum Deaktivieren nicht anschließen. Bei Verwendung mit einer induktiven Last, z. B. einem Relais, muss parallel zur Last zum Schutz vor Spannungsspitzen eine Diode zwischengeschaltet werden.	0 bis max. 40 V DC, Open Drain, 100 mA

Wichtig

Die empfohlene maximale Kabellänge beträgt 30 m.

Wichtig

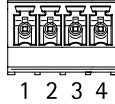
Bei den Ausgangsstromkreisen in diesem Abschnitt handelt es sich um Geräte der Klasse 2 mit begrenzter Leistung.

Türanschluss

Zwei 4-polige Anschlussblöcke für Türüberwachungsgeräte (Digitaleingang).

AXIS A1001 Network Door Controller

Alle Türeingangskontakte können überwacht werden. Bei Unterbrechung der Verbindung wird ein Alarm ausgelöst. Bringen Sie zur Verwendung überwachter Eingänge Abschlusswiderstände an. Beachten Sie das Anschlussschaltbild für überwachte Eingänge. Siehe Seite 110.



Funktion	Kontakt	Hinweise	Technische Daten
0 V DC (-)	1, 3		0 V DC
Eingang	2, 4	Zur Kommunikation der Türüberwachung. Digitaleingang – Zum Aktivieren mit Kontakt 1 bzw. 3 verbinden; zum Deaktivieren nicht anschließen. Hinweis: Dieser Kontakt kann nur für den Eingang verwendet werden.	0 bis max 40 V DC

DE

Wichtig

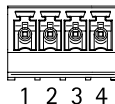
Die empfohlene maximale Kabellänge beträgt 30 m.

Zusatzanschluss

4-poliger konfigurierbarer E/A-Anschlussblock für:

- Zusatzstromversorgung (Gleichstromausgang)
- Digitaleingang
- Digitalausgang
- 0 V DC (-)

Ein Anschlussschaltbild als Beispiel finden Sie unter *Anschlussschaltbilder auf Seite 109*.



Funktion	Kontakt	Hinweise	Technische Daten
0 V DC (-)	1		0 V DC

AXIS A1001 Network Door Controller

Gleichstromausgang	2	Zur Stromversorgung von Zusatzgeräten. Hinweis: Dieser Kontakt kann nur für den Stromausgang verwendet werden.	3,3 V DC Max. Stromstärke = 100 mA
Konfigurierbar (Ein- oder Ausgang)	3-4	Digitaleingang – Zum Aktivieren mit Kontakt 1 verbinden; zum Deaktivieren nicht anschließen.	0 bis max. 40 V DC
		Digitalausgang – Zum Aktivieren mit Kontakt 1 verbinden; zum Deaktivieren nicht anschließen. Bei Verwendung mit einer induktiven Last, z. B. einem Relais, muss parallel zur Last zum Schutz vor Spannungsspitzen eine Diode zwischengeschaltet werden.	0 bis max. 40 V DC, Open Drain, 100 mA

Wichtig

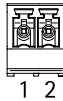
Die empfohlene maximale Kabellänge beträgt 30 m.

Wichtig

Bei den Ausgangsstromkreisen in diesem Abschnitt handelt es sich um Geräte der Klasse 2 mit begrenzter Leistung.

Stromanschluss

2-poliger Anschlussblock für die Gleichstromversorgung. Verwenden Sie eine mit den Anforderungen für Schutzkleinspannung (SELV) kompatible Stromquelle mit begrenzter Leistung (LPS), entweder mit einer Nennausgangsleistung von ≤ 100 W oder einem dauerhaft auf ≤ 5 A begrenzten Nennausgangsstrom.



Funktion	Kontakt	Hinweise	Technische Daten
0 V DC (-)	1		0 V DC
Gleichstromeingang	2	Stromversorgung des Controllers ohne Power over Ethernet. Hinweis: Dieser Kontakt kann nur für den Stromeingang verwendet werden.	10 bis 30 V Gleichstrom, max 26 W Max. Last an Ausgängen = 14 W

Netzwerkanschluss

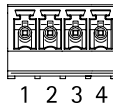
Ethernet-Anschluss RJ-45 Kabel der Kategorie 5e oder höher verwenden.

Funktion	Technische Daten
Stromversorgung und Ethernet	Power over Ethernet IEEE 802.3af/802.3at Typ 1 Class 3, 44 bis 57 V Gleichstrom Max. Last an Ausgängen = 7,5 W

Stromanschluss Schloss

Vierpoliger Anschlussblock für ein oder zwei Schösser (Gleichstromausgang). Dieser Anschluss kann auch zur Stromversorgung externer Geräte verwendet werden.

Schließen Sie Schösser und andere Geräte gemäß dem während der Hardwarekonfiguration erstellten Pin Chart an.



Funktion	Kontakt	Hinweise	Technische Daten
0 V DC (-)	1, 3		0 V DC
0 V DC, frei oder 12 V DC	2, 4	Zur Steuerung von bis zu zwei 12-V-Schössern. Den Kontaktbelegungsplan verwenden. Siehe <i>Die Hardware konfigurieren auf Seite 123</i> .	12 V Gleichstrom Max. Gesamtlast = 500 mA

HINWEIS

Für nichtpolarisierte Schösser wird eine externe Freilaufdiode empfohlen.

Wichtig

Die Ausgangsstromkreise dieses Abschnitts sind nach Klasse 2 leistungsbeschränkt.

Netz- und Relaisanschluss

Sechspoliger Anschlussblock mit integriertem Relais für:

- Externe Geräte
- Zusatzstromversorgung (Gleichstromausgang)

AXIS A1001 Network Door Controller

- 0 V DC (-)

Schließen Sie Schlösser und andere Geräte gemäß dem während der Hardwarekonfiguration erstellten Pin Chart an.



Funktion	Kontakt	Hinweise	Technische Daten
0 V DC (-)	1, 4		0 V DC
Relais	2-3	Zum Anschluss von Relaisgeräten. Verwenden Sie das Pin Chart. Siehe <i>Die Hardware konfigurieren auf Seite 123</i> . Die beiden Relaisanschlüsse sind galvanisch von den anderen Schaltkreisen getrennt.	Max. Stromstärke = 700 mA Max. Spannung = +30 V DC
12 V DC	5	Zur Stromversorgung von Zusatzgeräten. Hinweis: Dieser Kontakt kann nur als Stromausgang verwendet werden.	Max. Spannung = 12 V Gleichstrom Max. Stromstärke = 500 mA
24 V Gleichstrom	6	Nicht belegt	

HINWEIS

Für nichtpolarisierte Schlösser wird eine externe Freilaufdiode empfohlen.

Wichtig

Die Ausgangsstromkreise dieses Abschnitts sind nach Klasse 2 leistungsbeschränkt.

Manipulationsalarm-Stiftleiste

Zwei 2-polige Leisten zur Überbrückung des:

- Hinteren Manipulationsalarms (TB)
- Vorderen Manipulationsalarms (TF)



Funktion	Kontakt	Hinweise
Hinterer Manipulationsalarm	1-2	Setzen Sie die Drahtbrücken zwischen TB 1, TB 2 bzw. TF 1, TF 2, um den vorderen bzw. hinteren Manipulationsalarm zu überbrücken. Bei einer Überbrückung des Manipulationsalarms erkennt das System keine Manipulationsversuche.
Vorderer Manipulationsalarm	1-2	

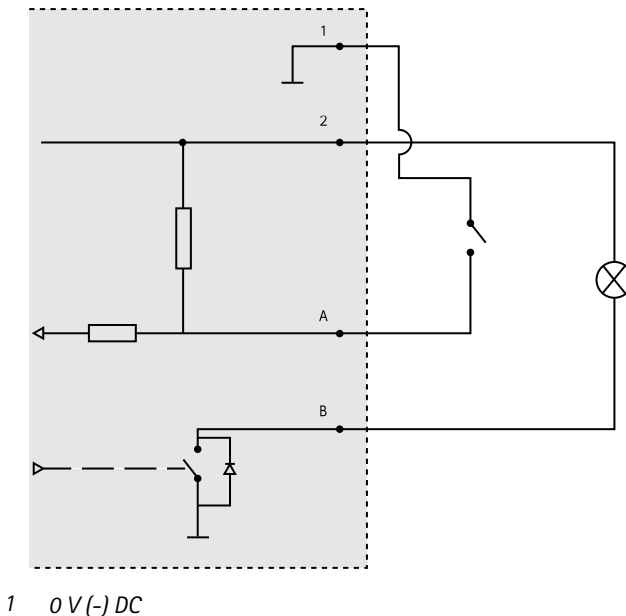
Beachten

Der vordere und der hintere Manipulationsalarm sind standardmäßig aktiviert. Der Auslöser für die Öffnung des Gehäuses kann so konfiguriert werden, dass eine Aktion ausgeführt wird, wenn der Tür-Controller geöffnet bzw. von der Wand oder der Decke entfernt wird. Weitere Informationen zur Konfiguration von Alarmen und Ereignissen finden Sie im Benutzerhandbuch.

Anschlusschaltbilder

Schließen Sie Geräte gemäß dem während der Hardwarekonfiguration erstellten Pin Chart an. Weitere Informationen zu Hardwarekonfiguration und Pin Chart finden Sie unter *Die Hardware konfigurieren auf Seite 123*.

Zusatzanschluss

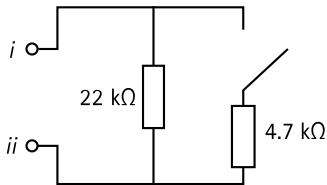


AXIS A1001 Network Door Controller

- 2 Gleichstromausgang: 3,3 V, max. 100 mA
- A E/A als Eingang konfiguriert
- B E/A als Ausgang konfiguriert

Überwachte Eingänge

Um überwachte Eingänge zu verwenden, die Abschlusswiderstände wie im Schaltbild unten dargestellt anschließen.



i Eingang

ii 0 V Gleichstrom (-)

Beachten

Es wird empfohlen, verdrehte und geschirmte Kabel zu verwenden. Die Abschirmung an 0 V Gleichstrom anschließen.

Die Hardware installieren

⚠ VORSICHT

Das Axis Produkt darf nicht montiert werden, während es mit Strom versorgt wird. Schalten Sie die Stromversorgung immer erst am Ende der Installation ein.

HINWEIS

Um die Stromkreise vor elektrostatischer Entladung (ESD) zu schützen, ist bei der Handhabung des Produkts ein ESD-Schutz zu verwenden, wenn Komponenten und Kontakte freiliegen.

Lesen Sie die Anleitung, bevor Sie das Produkt installieren.

- Informationen zum Konfigurieren der Hardware finden Sie auf *Seite 123*.
- Weitere Informationen zur Installation des Produkts an einer Wand (empfohlen) oder an der Decke finden Sie auf *Seite 111*.
- Weitere Informationen zur Installation des Produkts auf einer DIN-Schiene finden Sie auf *Seite 112*.
- Informationen zum Anschließen der Kabel finden Sie auf *Seite 113*.

Systembedingungen

Das Axis Produkt muss in einem sicheren Bereich installiert werden.

Das Axis Produkt darf die bestimmungsgemäße Verwendung der daran angeschlossenen Geräte nicht einschränken oder beeinträchtigen, gleichgültig, ob es als einzelner Tür-Controller oder ein System von Tür-Controllern installiert wurde.

Das Axis Produkt sollte an einer Wand (empfohlen) oder einer Decke mit oder ohne Anschlussdose installiert werden. Die Installation auf einer DIN-Schiene ist ebenfalls möglich.

Systemgröße

Das Axis-Produkt kann mit anderen Netzwerk-Türcontrollern von Axis zu einer Controllergruppe zusammengeschlossen werden, die bis zu 66 Türen oder drahtlose Geräte (innerhalb der Gruppe) verwalten kann. Das Axis-Produkt kann an bis zu zwei verkabelte Türen oder alternativ an eine verkabelte Tür und einen Funkgateway angeschlossen werden. Die Anzahl der pro Gateway konfigurierbaren Funkschlösser ist herstellerabhängig.

Beachten

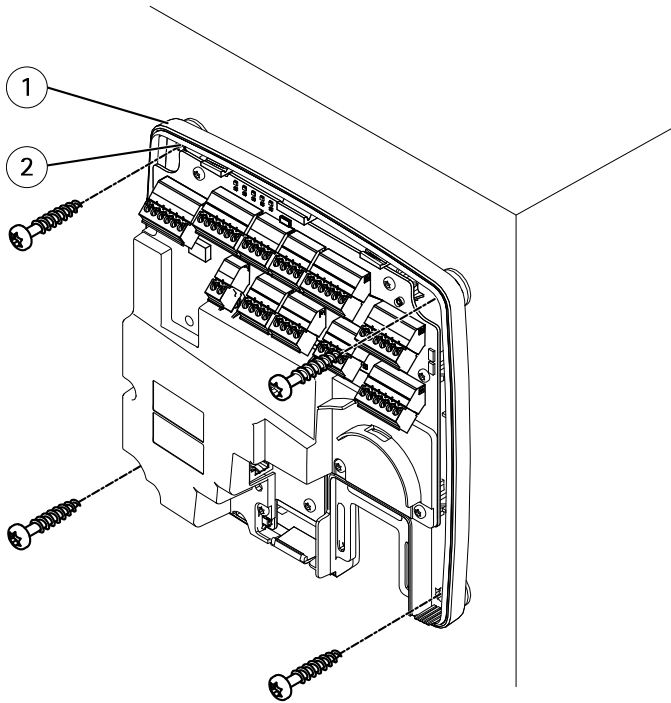
- Axis Communications verkauft und vertreibt keine Funkschlösser. Wenn Sie Unterstützung oder Schulungen zu Funksystemen benötigen, wenden Sie sich bitte an den betreffenden Hersteller.
- Das Axis-Produkt ist eigenständig . Es erfordert für seinen ordnungsgemäßen Betrieb keine dauerhafte Verbindung mit einem Computer. Angeschlossene Computer werden ausschließlich zur lokalen Programmierung, für Downloads und zur zusätzlichen Überwachung benötigt.

Wand- und Deckenmontage

HINWEIS

Wenn der Tür-Controller an einer Wand installiert wird, muss die Aussparung für die Kabel nach unten zeigen.

1. Bei Verwendung einer Anschlussdose muss diese vor der Installation des Netzwerk-Tür-Controllers angebracht werden. UL-Konformität muss mit einer UL-gelisteten Anschlussdose gewährleistet werden.
2. Lösen Sie ggf. die Schraube für die Abdeckung, setzen Sie einen Schlitzschraubendreher in den Schlitz zum Entfernen der Abdeckung ein und entfernen Sie die Abdeckung. Siehe *Übersicht über die Hardware auf Seite 94*.
3. Markieren Sie vor dem Bohren die Bohrlöcher an der Wand/Decke, indem Sie die Grundplatte als Schablone verwenden.
4. Bohren Sie ggf. Löcher für die Schrauben.
5. Bringen Sie die Grundplatte an der Wand bzw. Decke an. Die Schrauben und Dübel müssen für das entsprechende Material (beispielsweise Holz, Metall, Rigips, Beton) geeignet sein.

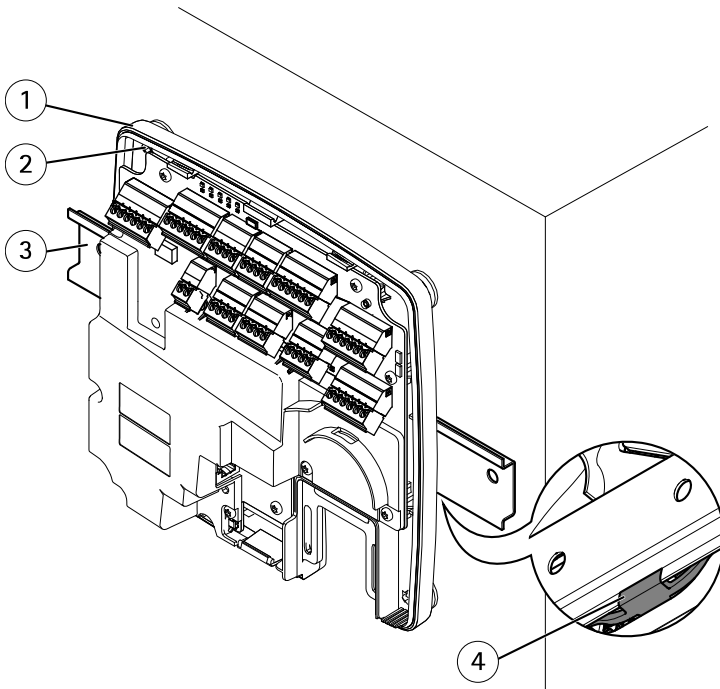


- 1 Grundplatte
- 2 Bohrung (4x)

6. Schließen Sie die Kabel an. Siehe Seite 113.

Montage an einer DIN-Schiene

1. Installieren Sie bei Bedarf eine DIN-Schiene (nicht enthalten).
2. Lösen Sie ggf. die Schraube für die Abdeckung, setzen Sie einen Schlitzschraubendreher in den Schlitz zum Entfernen der Abdeckung ein und entfernen Sie die Abdeckung. Siehe *Übersicht über die Hardware auf Seite 94*.
3. Haken Sie die untere flexible DIN-Halterung an der Unterseite der DIN-Schiene ein und neigen Sie die Grundplatte dabei leicht nach vorn.
4. Heben Sie die Grundplatte an, sodass die untere DIN-Halterung die unterste Position erreicht.
5. Neigen Sie die Grundplatte nach hinten, sodass sie parallel zur Wand/Decke ausgerichtet ist.
6. Haken Sie die obere DIN-Halterung an der Oberseite der DIN-Schiene ein, indem Sie die Grundplatte absenken.



DE

- 1 Grundplatte
- 2 Bohrung (4x)
- 3 DIN-Schiene
- 4 Untere DIN-Halterung

7. Sichern Sie die Grundplatte mit vier Schrauben. Die Schrauben und Dübel müssen für das entsprechende Material (beispielsweise Holz, Metall, Rigips, Beton) geeignet sein. Siehe *Wand- und Deckenmontage auf Seite 111*.

Beachten

Ziehen Sie die Schrauben nicht zu fest an, um ein Verbiegen der Grundplatte zu vermeiden. Lassen Sie ca. 2,5 mm Abstand. Wenn die Grundplatte verbogen ist, lässt sich die Abdeckung nicht schließen.

8. Schließen Sie die Kabel an. Siehe *Seite 113*.

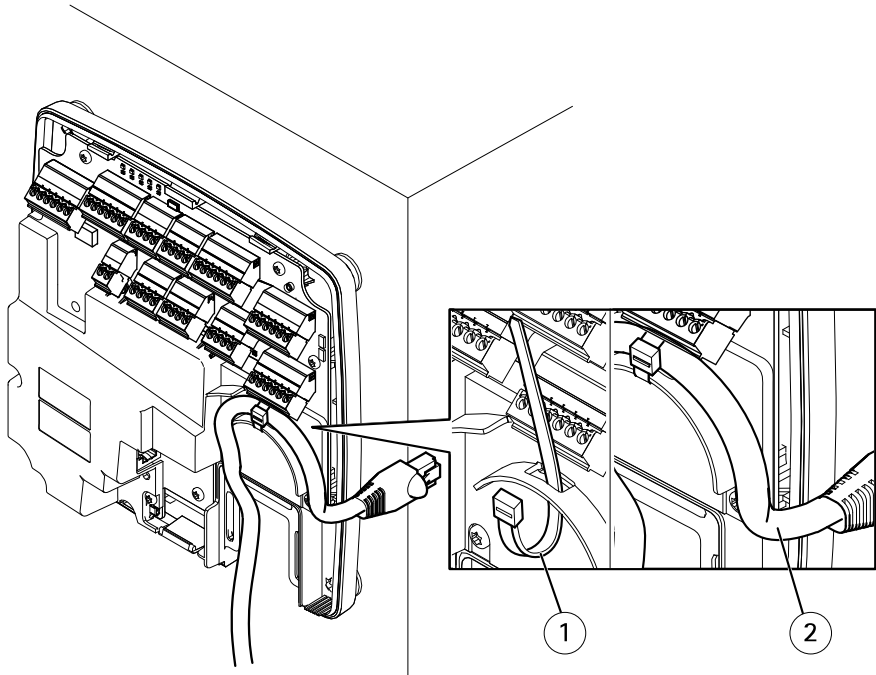
Anschließen der Kabel

▲VORSICHT

Trennen Sie das Gerät vom Stromnetz, bevor Sie Kabel an das Axis Produkt anschließen. Stellen Sie niemals Verbindungen her, während das Produkt mit Strom versorgt wird.

HINWEIS

- Das Produkt muss mit einem abgeschirmten Netzkabel (STP) angeschlossen werden. Alle Kabel, die das Produkt mit dem Netzwerkschalter verbinden, müssen hierfür ausgelegt sein. Stellen Sie sicher, dass die Netzwerkgeräte gemäß den Anweisungen des Herstellers installiert wurden. Informationen zu gesetzlichen Bestimmungen finden Sie unter *Regulatory information on page 4*.
- Wenn Sie Power over Ethernet verwenden, darf das Netzkabel erst an das Netzwerk angeschlossen werden, nachdem alle anderen Kabel angeschlossen wurden.
- Fügen Sie eine Kabelschleife ein, um zukünftige Wartungsarbeiten zu erleichtern, um übermäßige Zugkraft an Kabeln und Steckverbindungen zu verhindern und um Schäden an der Aderisolierung zu vermeiden. Stellen Sie sicher, dass Kabel und Drähte ordnungsgemäß gestützt und gesichert werden. Verwenden Sie die mitgelieferten Kabelbinder.
- Um die Stromkreise vor elektrostatischer Entladung (ESD) zu schützen, ist beim Anschließen von Drähten an das Produkt ein ESD-Schutz zu verwenden.
 1. Legen Sie das Netzkabel um die Kabelführung und schließen Sie es an den entsprechenden Anschluss an.
 2. Sichern Sie das Netzkabel mit einem der beiliegenden Kabelbinder an der Kabelführung.

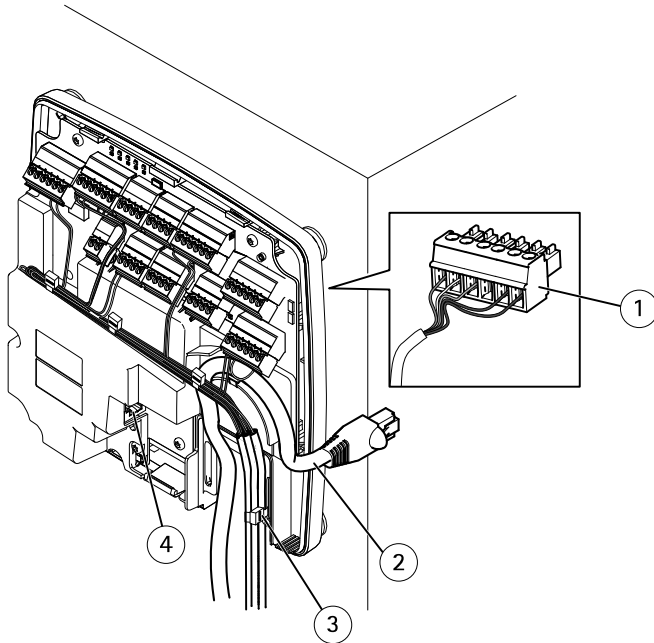


- 1 Kabelbinder
- 2 Netzwerkkabel

3. Manteln Sie die Kabel und Drähte je nach Bedarf mit einem Crimpzange ab.
4. Verbinden Sie die Drähte zwischen dem Tür-Controller und den Schlössern, Türen sowie anderen Geräten. Weitere Informationen zu Anschlüssen und deren Spezifikationen finden Sie auf *Seite 98* und *Seite 102*.

HINWEIS

- Stellen Sie sicher, dass alle Drähte ordnungsgemäß angeschlossen sind. Eine fehlerhafte Verdrahtung kann das Produkt beschädigen.
- Stellen Sie sicher, dass Sie Drähte verwenden, die die Anforderungen erfüllen. Weitere Informationen finden Sie unter *Aderquerschnitt auf Seite 102* sowie, für UL-Konformität, unter *Requirements for Compliance with UL294 6th Edition on page 7*.



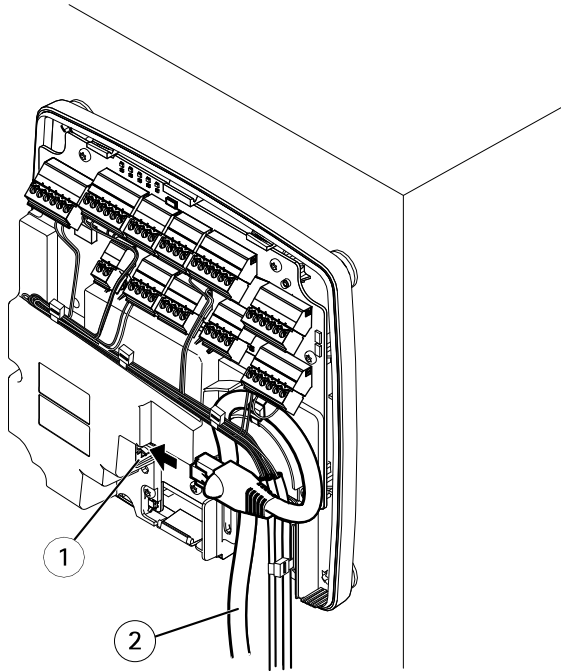
Beispiel für Verkabelung

- 1 6-poliger Anschlussstecker
- 2 Netzwerkkabel
- 3 Kabelbinder (4x)
- 4 Netzwerkanschluss

Beachten

- Verwenden Sie für Geräte, die auf den Hardware-Konfigurationsseiten des Produkts konfiguriert wurden, das Pin Chart als Leitfaden zum Verbinden der Kontakte. Weitere Informationen zu Hardwarekonfiguration und Pin Chart finden Sie unter *Die Hardware konfigurieren auf Seite 123*.
 - Informationen über das Anschließen weiterer Kabel, wie z. B. Stromkabel für Schlösser, Leser und andere Geräte, finden Sie in den Anweisungen des Herstellers.
5. Bündeln Sie die Leitungen und sichern Sie sie mit den beiliegenden Kabelbindern.
 6. Kennzeichnen Sie die Kabel.
 7. Verbinden Sie das Netzwerkkabel mit dem Netzwerk, wenn Sie Power over Ethernet verwenden.
 8. Wenn Sie Ethernet sowie eine externe Stromquelle (10–30 V DC) verwenden, verbinden Sie das Netzwerkkabel mit dem Netzwerk, und schließen Sie die Stromversorgung an. Verwenden Sie eine mit den Anforderungen für Schutzkleinspannung (SELV)

kompatible Stromquelle mit begrenzter Leistung (LPS). Für weitere Informationen siehe *Stromanschluss auf Seite 106*

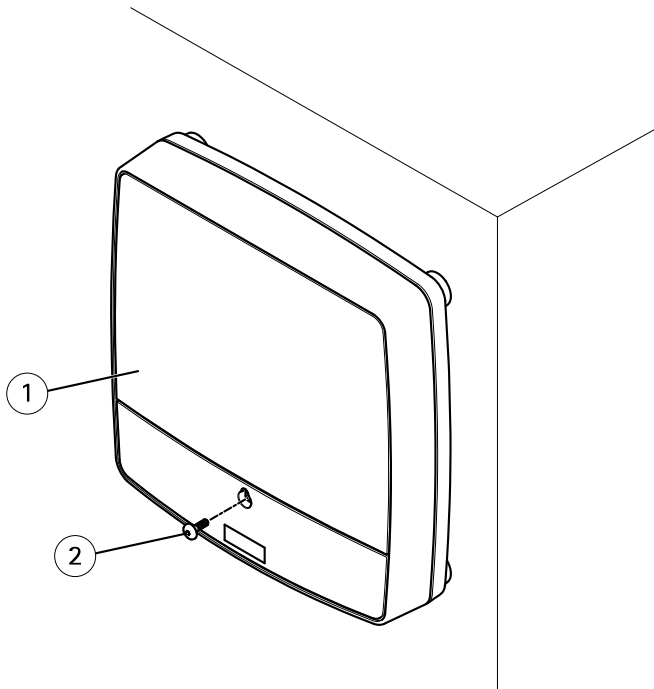


DE

Beispiel für Verkabelung

- 1 *Netzwerkanschluss*
- 2 *Netzwerkabel*

9. Vergewissern Sie sich, dass die LEDs die richtigen Zustände anzeigen. Siehe *LEDs auf Seite 98*.
10. Bringen Sie die Abdeckung an der Grundplatte an und ziehen Sie die Schrauben fest.



- 1 Abdeckung
2 Schraube für Abdeckung (T10)

Zugriff auf das Produkt

Das Produkt ist mit den meisten Standard-Betriebssystemen und Browsern kompatibel. Empfohlen werden die Browser Internet Explorer für Windows, Safari für Macintosh und Firefox für andere Betriebssysteme.

Wenn Sie zum ersten Mal auf das Produkt zugreifen, müssen Sie eine IP-Adresse zuweisen und das Kennwort für den Standard-Administrator auf *root* festlegen.

- Wie Sie eine IP-Adresse zuweisen, finden Sie unter *Seite 120*.
- Informationen zum Festlegen des Root-Kennworts finden Sie unter *Seite 123*

Über einem Browser auf das Produkt zugreifen

1. Den Webbrowser öffnen.

2. Die IP-Adresse oder den Hostnamen des Axis-Produkts in die Adresszeile des Browsers eingeben.
Bei unbekannter IP-Adresse das Produkt mithilfe der AXIS IP Utility im Netzwerk ermitteln. Weitere Informationen zum Ermitteln und Zuweisen von IP-Adressen finden Sie unter *Zuweisen einer IP-Adresse auf Seite 120*. Diese Information finden Sie ebenso auf den Support-Seiten unter *axis.com/support*.
3. Den Benutzernamen und das Kennwort eingeben. Wenn dies der erste Zugriff auf das Produkt ist, muss zuerst das Root-Kennwort konfiguriert werden.
4. AXIS Entry Manager wird im Browser geöffnet. Die Startseite wird als Übersichtsseite bezeichnet.

DE

Über das Internet auf das Produkt zugreifen

Die Produkte können in einem privaten Netzwerk (LAN) über einem Netzwerkrouter gemeinsam eine einzige Internetverbindung nutzen. Dabei wird der Netzwerkverkehr vom privaten Netzwerk zum Internet weitergeleitet.

Die meisten Router sind vorkonfiguriert vor Zugriffsversuchen aus dem Internet auf das private Netzwerk (LAN) geschützt.

Wenn das Axis-Produkt Teil eines Intranets (LAN) ist und der Zugriff von der anderen Seite (WAN) eines NAT-Routers (Network Address Translator) aus möglich sein soll, **NAT-Traversal** aktivieren. Wenn NAT-Traversal ordnungsgemäß konfiguriert ist, wird sämtlicher HTTP-Datenverkehr zu einem externen HTTP-Port des NAT-Routers zum Produkt weitergeleitet.

NAT-Traversal aktivieren

- Dazu aufrufen: **Setup > Zusätzliche Controllerkonfiguration > Systemoptionen > Netzwerk > TCP/IP > Erweitert**.
- **Aktivieren** anklicken.
- Um Zugriff aus dem Internet zuzulassen, den NAT-Router manuell konfigurieren.

Siehe dazu auch: AXIS Internet Dynamic DNS Service unter *www.axiscam.net*.

Beachten

- In diesem Zusammenhang bezeichnet der Begriff Router Geräte des Netzwerk-Routing wie etwa NAT-Router, Netzwerkrouter, Internet Gateways, Breitbandrouter, Geräte zur gemeinsamen Nutzung von Breitband oder Software wie zum Beispiel Firewalls.
- NAT-Traversal muss vom Router unterstützt werden. Der Router muss außerdem UPnP® unterstützen.

Zuweisen einer IP-Adresse

Informationen zu Standard-IP-Adressen

Axis-Geräte sind für die Verwendung in einem Ethernet ausgelegt. Um auf die Webseiten der Kamera zugreifen zu können, ist eine IP-Adresse erforderlich. In die meisten Netzwerke ist ein DHCP-Server eingebunden, der den angeschlossenen Geräten automatisch IP-Adressen zuweist.

Wenn Ihr Netzwerk über keinen DHCP-Server verfügt, ist die Standard-IP-Adresse 192.168.0.90.

Empfohlenes Verfahren für Windows®

Für das Auffinden von Axis-Produkten im Netzwerk und das Zuweisen von IP-Adressen unter Windows® werden **AXIS IP Utility** und **AXIS Camera Management** empfohlen. Beide Anwendungen sind kostenlos und können von www.axis.com/techsup heruntergeladen werden.

AXIS IP Utility

Beachten

Der AXIS IP Utility ausführende Computer muss sich im selben Netzwerksegment (physischen Subnetz) befinden wie das Axis-Gerät.

Auf das Gerät im Netzwerk zugreifen

1. Das Gerät an die Stromversorgung und das Netzwerk anschließen.
2. AXIS IP Utility starten. Es werden automatisch alle Geräte des Netzwerks aufgelistet.
3. Um auf das Gerät über einen Browser zuzugreifen, in der Liste den Namen doppelklicken.

Die IP-Adresse eines Gerätes ändern

1. AXIS IP Utility starten. Es werden automatisch alle Geräte des Netzwerks aufgelistet.
2. Durch Rechtsklicken ein Gerät wählen und die Option **Gewähltem Gerät neue IP-Adresse zuweisen** anklicken.
3. Eine verfügbare IP-Adresse eingeben und **Zuweisen** anklicken.
4. Um auf das Gerät über einen Browser zuzugreifen, in der Liste den Namen doppelklicken.

AXIS Device Manager


Auf das Gerät im Netzwerk zugreifen

1. Das Gerät an die Stromversorgung und das Netzwerk anschließen.
2. Den AXIS Device Manager starten.

3. Um eine Verbindung mit einem Server herzustellen, **Hauptmenü > Server > Neue Verbindung** aufrufen:
 - Wenn sich der Server im Netzwerk befindet, die Option **Remote Server** wählen und einen Server aus dem Aufklappmenu wählen oder in das Feld **Remote Server** eine IP-Adresse oder DNS-Adresse eingeben.
 - Wenn der Server lokal ausgeführt wird, die Option **Dieser Computer** wählen.
4. Um sich als der aktuelle Windows-Benutzer anzumelden, die Option **Anmelden** anklicken.
Wenn die Option **Als aktueller Benutzer anmelden** nicht verwendet wird, müssen im nächsten Schritt ein Benutzername und ein Kennwort eingegeben werden.
5. Geräte hinzufügen:
 - AXIS Device Manager durchsucht das Netzwerk automatisch nach verbundenen Axis-Geräten und fügt sie zur Geräteliste hinzu.
 - Um Geräte manuell hinzuzufügen **Geräteverwaltung > Geräte hinzufügen** aufrufen. Die hinzuzufügenden Geräte aus der Liste wählen, **Weiter** und dann **Fertigstellen** anklicken.
 - Um Geräte aus einem IP-Adressbereich hinzuzufügen **Geräteverwaltung > Geräte aus IP-Bereich hinzufügen** wählen.
 - Um einem Gerät eine bestimmte IP-Adresse hinzuzufügen, **Geräteverwaltung > Gerät über Adresse hinzufügen** aufrufen.
6. Um auf das Gerät über einen Browser zuzugreifen, in der Liste den Adressenlink doppelklicken.

Mehreren Geräten neue IP-Adressen zuweisen:

Um das Verfahren zu beschleunigen, schlägt der AXIS Device Manager IP-Adressen aus einem definierten Bereich vor.

1. Im AXIS Device Manager die **Geräteverwaltung** aufrufen.
2. Die zu konfigurierenden Geräte wählen und dann **Gewähltem Gerät IP-Adresse zuweisen** anklicken .
3. Im Dialogfeld der **Gerätewartung** die Option **Ja** anklicken.
4. Die Option **Folgenden IP-Adressbereich zuweisen** wählen.
5. Um den vorgeschlagenen IP-Adressbereich zu ändern, einen anderen Bereich in das Feld **IP-Adressbereich** eingeben.
6. **Weiter** anklicken.
7. Um eine beliebige IP-Adresse zu ändern, das betreffende Gerät wählen und **IP bearbeiten** anklicken.
8. **Fertigstellen** anklicken.

Andere Verfahren

Die Liste unten führt andere Verfahren zum Zuweisen oder Ermitteln von IP-Adressen auf.

Windows®

- **UPnP™**
UPnP™ erkennt Axis-Geräte automatisch und fügt diese entweder zu **Netzwerk** oder **Mein Netzwerk** hinzu.

Mac OS X® 10.4 oder höher

- **Bonjour** (nur anwendbar auf Browsern mit Unterstützung für Bonjour)
Das Bonjour-Lesezeichen des Browsers, wie zum Beispiel Safari, aufrufen und über Anklicken des Links die Weboberfläche aufrufen.

Alle Betriebssysteme

- **DHCP-Server**
Hinweise zum Anzeigen der Administrationsseiten des DHCP-Servers im Netzwerk finden Sie in der Benutzerdokumentation.
- **Gehostete Videodienste.**
Informationen zum Verbinden mit einem gehosteten Videodienst finden Sie in der Installationsanleitung des Dienstanbieters. Informationen und Hilfe zu lokalen Dienstanbietern finden Sie unter www.axis.com/hosting.

Eine IP-Adresse mit ARP/Ping zuweisen

Die IP-Adresse des Geräts kann mit ARP/Ping zugewiesen werden. Der Befehl dazu muss innerhalb von 2 Minuten nach dem Anschließen der Stromversorgung erteilt werden.

1. Im selben Netzwerksegment wie der Computer eine freie statische IP-Adresse zuweisen.
2. Die Seriennummer (S/N) auf dem Geräteaufkleber ermitteln.
3. Eine Eingabeaufforderung öffnen und die folgenden Befehle eingeben:

Linux/Unix-Syntax

```
arp -s <IP-Adresse> <Seriennummer> temp  
ping -s 408 <IP-Adresse>
```

Linux/Unix-Beispiel

```
arp -s 192.168.0.125 00:40:8c:18:10:00 temp  
ping -s 408 192.168.0.125
```

Windows-Syntax (Dazu müssen Sie die Eingabeaufforderung möglicherweise als Administrator ausführen.)

```
arp -s <IP-Adresse> <Seriennummer>  
ping -l 408 -t <IP-Adresse>
```

Windows-Beispiel (Dazu müssen Sie die Eingabeaufforderung möglicherweise als Administrator ausführen.)

```
arp -s 192.168.0.125 00-40-8c-18-10-00  
ping -l 408 -t 192.168.0.125
```

4. Das Gerät neu starten. Dazu die Netzwerkverbindung unterbrechen und wiederherstellen.
5. Die Eingabeaufforderung schließen, wenn das Gerät mit `Reply from 192.168.0.125:...` oder einer ähnlichen Meldung antwortet.
6. Einen Browser öffnen und die `http://<IP-Adresse>` in die Adresszeile eingeben.

Beachten

- Um eine Eingabeaufforderung in Windows zu öffnen, das Menü **Start** aufrufen und den Befehl `cmd` eingeben.
- Um unter Windows 8/Windows 7/Windows Vista den Befehl `ARP` zu erteilen, das Befehlszeilensymbol rechtsklicken und die Option **Als Administrator ausführen** wählen.
- Um eine Eingabeaufforderung in Mac OS X zu öffnen, rufen Sie das **Dienstprogramm** „Terminal“ unter **Application > Utilities (Programme > Dienstprogramme)** auf.

DE

Das Root-Kennwort festlegen

Für den Zugriff auf das Produkt muss das Kennwort für den Benutzer Standardadministrator **root** festgelegt werden. Bei der erstmaligen Verwendung des Produkts wird das Dialogfeld **Configure Root Password (Root-Kennwort konfigurieren)** angezeigt. Dort kann das Kennwort festgelegt werden.

Um ein Abhören der Netzwerkkommunikation zu verhindern, können Sie das Root-Kennwort über eine verschlüsselte HTTPS-Verbindung festlegen, die ein HTTPS-Zertifikat erfordert. Das Protokoll HTTPS (Hypertext Transfer Protocol over SSL) wird verwendet, um den Datenverkehr zwischen Webbrowsern und Servern zu verschlüsseln. Das HTTPS-Zertifikat gewährleistet den verschlüsselten Informationsaustausch.

Der standardmäßige Administrator-Benutzername **root** kann nicht geändert bzw. gelöscht werden. Wenn Sie das entsprechende Kennwort vergessen haben, muss das Gerät auf die Werkseinstellungen zurückgesetzt werden. Informationen zum Zurücksetzen des Produkts auf die Werkseinstellungen finden Sie im Benutzerhandbuch.

Zum Festlegen des Kennworts, dieses direkt in das Dialogfeld eingeben.

Die Hardware konfigurieren

Vor dem Installieren des Produkts die Hardware über die Seiten der **Hardwarekonfiguration** konfigurieren.

Türen, Schlösser und andere Geräte können vor Abschluss der Hardwarekonfiguration an das Axis-Produkt angeschlossen werden. Das Anschließen von Geräten ist jedoch nach Abschluss der

AXIS A1001 Network Door Controller

Hardwarekonfiguration einfacher. Denn dann steht ein Kontaktbelegungsplan zur Verfügung. Der Kontaktbelegungsplan ist eine Hilfe für das Anschließen von Geräten und eine Referenzübersicht für Wartungsarbeiten. Anweisungen zur Wartung finden Sie auf *Seite 128*.

Konfigurieren Sie die Hardware mithilfe einer der folgenden Methoden:

- Importieren einer Hardwarekonfigurationsdatei. Siehe *Seite 124*.
- Eine neue Hardwarekonfiguration erstellen. Siehe *Seite 125*.

Beachten

Falls die Hardware des Produkts noch nicht bereits konfiguriert oder gelöscht wurde, steht dafür die Option **Hardware Configuration (Hardwarekonfiguration)** im Benachrichtigungsbereich der Übersichtsseite zur Verfügung.

Eine Hardwarekonfigurationsdatei importieren

Die Hardwarekonfiguration des Axis-Produkts lässt sich durch Importieren einer Hardwarekonfigurationsdatei schneller abschließen.

Informationen zum Exportieren von Hardwarekonfigurationsdateien finden Sie im Benutzerhandbuch.

So importieren Sie eine Hardwarekonfigurationsdatei:

1. **Setup > Hardwarekonfiguration**) aufrufen.
2. **Hardwarekonfiguration importieren** anklicken oder bei bereits vorhandener Hardwarekonfiguration **Zurücksetzen und Hardwarekonfiguration importieren** wählen.
3. Wählen Sie im angezeigten Dateibrowser die Hardwarekonfigurationsdatei (*.json) auf dem Computer aus.
4. Klicken Sie auf **OK**.

Installieren der Hardware

So installieren Sie die Hardware:

1. Lösen Sie ggf. die Schraube für die Abdeckung, setzen Sie einen Schlitzschraubendreher in den Schlitz zum Entfernen der Abdeckung ein und entfernen Sie die Abdeckung.
2. Verbinden Sie das Axis Produkt mit dem Netzwerk und warten Sie, bis die Netzwerkverbindung hergestellt und das Produkt gestartet wurde. Wenn das Produkt nicht per Power over Ethernet versorgt wird und stattdessen Ethernet sowie eine externe Stromquelle verwendet werden, muss das Produkt außerdem an eine mit den Anforderungen für Schutzkleinspannung (SELV) kompatible Stromquelle mit begrenzter Leistung (LPS) angeschlossen werden. Weitere Informationen zum Netzanschluss (Gleichstromeingang) finden Sie unter *Technische Daten auf Seite 100*.

Eine neue Hardwarekonfiguration erstellen

Befolgen Sie die Anleitung entsprechend den Projektanforderungen:

- *Eine neue Hardwarekonfiguration ohne Peripheriegeräte einrichten auf Seite 125*
- *Eine neue Hardwarekonfiguration für Funkschlösser erstellen. auf Seite 125*
- *Eine neue Hardwarekonfiguration mit Elevator Control (AXIS A9188) erstellen auf Seite 125*

Eine neue Hardwarekonfiguration ohne Peripheriegeräte einrichten

1. **Setup > Hardwarekonfiguration**) aufrufen und **Neue Hardwarekonfiguration** starten anklicken.
2. Einen Namen für das Axis-Produkt eingeben.
3. Die Anzahl der angeschlossenen Türen wählen und **Weiter** anklicken.
4. **Schließen** anklicken oder über den Link den Kontaktbelegungsplan aufrufen.

Eine neue Hardwarekonfiguration für Funkschlösser erstellen.

1. **Setup > Hardwarekonfiguration** aufrufen und **Neue Hardwarekonfiguration** starten anklicken.
2. Einen Namen für das Axis-Produkt eingeben.
3. Aus der Liste der Peripheriegeräte den Hersteller des Funkgateways wählen.
4. Je nach Hersteller des Schlosses nach einem der folgenden Gliederungspunkte verfahren:
 - **ASSA Aperio**: Den Link zur Belegungsübersicht der Hardwarepins anklicken oder **Schließen** und **Setup > Hardware Reconfiguration (Setup > Neue Hardwarekonfiguration)** wählen, um die Konfiguration abzuschließen. Siehe dazu *Türen und Geräte von Assa Aperio™ hinzufügen auf Seite 126*.
 - **SmartIntego**: Den Link zur Belegungsübersicht der Hardwarepins anklicken oder **Click here to select wireless gateway and configure doors** (Hier klicken, um Funkgateways zu wählen und Türen zu konfigurieren) wählen, um die Konfiguration abzuschließen. Siehe dazu *SmartIntego konfigurieren auf Seite 127*.

Eine neue Hardwarekonfiguration mit Elevator Control (AXIS A9188) erstellen

Wichtig

Vor dem Erstellen eine Hardwarekonfiguration muss ein Benutzer zum Netzwerk-E/A-Relaismodul AXIS A9188 hinzugefügt werden. Dazu über die Weboberfläche des A9188 die Option **Benutzereinstellungen > Zusätzliche Gerätekonfiguration > Grundeinstellungen > Benutzer > Benutzer einrichten** aufrufen.

AXIS A1001 Network Door Controller

Beachten

Pro Netzwerk-Türsteuerung können maximal zwei Netzwerk-E/A-Relaismodule des Typs AXIS 9188 konfiguriert werden.

1. Unter **A1001 Setup > Hardwarekonfiguration** aufrufen und **Neue Hardwarekonfiguration starten** anklicken.
2. Einen Namen für das Axis-Produkt eingeben.
3. Um ein **AXIS A9188 Network I/O Relay Module** aufzunehmen, aus der Liste der Peripheriegeräte **Elevator control** wählen und **Weiteranklicken**.
4. Einen Namen für das angeschlossene Lesegerät eingeben.
5. Das zu verwendende Lesegeräteprotokoll wählen und **Beenden** anklicken.
6. **Netzwerkperipheriegeräte** anklicken, um die Konfiguration abzuschließen. Siehe dazu oder über den Link den Kontaktbelegungsplan aufrufen.

Türen und Geräte von Assa Aperiio™ hinzufügen

Vor dem Hinzufügen einer Funktür zum System muss diese mithilfe von Aperiio PAP (Programmierool von Aperiio) mit dem angeschlossenen Kommunikationshub von Assa Aperiio verbunden werden.

So fügen Sie eine Funktür hinzu:

1. Rufen Sie **Setup > Hardware Reconfiguration (Hardwareneukonfiguration)** auf.
2. Klicken Sie unter **Wireless Doors and Devices (Funktüren und -geräte)** auf **Add door (Tür hinzufügen)**.
3. Geben Sie im Feld **Door name (Türname)** einen beschreibenden Namen ein.
4. Geben Sie im Feld **ID unter Lock (Schloss)** Die aus sechs Zeichen bestehende Adresse des hinzuzufügenden Geräts eingeben. Die Geräteadresse befindet sich auf dem Produktaufkleber.
5. Optional auch unter **Türpositionssensor: Integrierter Türpositionssensor oder Externer Türpositionssensor** wählen.

Beachten

Vor dem Konfigurieren eines externen Türpositionsschalters (DPS) sicherstellen, dass das Aperiio-Schließgerät die Türgriffstatuserkennung unterstützt.

6. Optional auch im **ID-Feld unter Türpositionssensor**: Die aus sechs Zeichen bestehende Adresse des Geräts eingeben, das hinzugefügt werden soll. Die Geräteadresse befindet sich auf dem Produktaufkleber.
7. Klicken Sie auf **Add (Hinzufügen)**.

Voraussetzungen für SmartIntego

Bevor SmartIntego konfiguriert werden kann, müssen folgende Voraussetzungen erfüllt sein:

- Es muss eine csv-Datei erstellt werden. Die csv-Datei enthält Informationen zum von der SmartIntego-Lösung verwendeten Gateway-Knoten und zu den zugeordneten Türen. Die Datei wird von einer eigenständigen Software erstellt. Die Software wird von einem SimonsVoss-Partner bereitgestellt.
- Die Hardwarekonfiguration von SmartIntego wurde abgeschlossen, siehe *Eine neue Hardwarekonfiguration für Funkschlösser erstellen*. auf Seite 125.

Beachten

- Das SmartIntego Configuration Tool muss in der Version 2.1.6452.23485, Build 2.1.6452.23485 (8/31/2017 1:02:50 PM) oder neuer vorliegen.
- SmartIntego unterstützt nicht den Advanced Encryption Standard (AES). Er muss deshalb im SmartIntego Configuration Tool deaktiviert werden.

DE

SmartIntego konfigurieren

Beachten

- Sicherstellen, dass die aufgeführten Anforderungen erfüllt sind.
- Um den Batteriestatus deutlich darzustellen, **Setup > Ereignisse und Alarmprotokolle konfigurieren** aufrufen und entweder **Tür – Batteriealarm** oder **IdPoint – Batteriealarm** als Alarm hinzufügen.
- Dazu werden die in der importierten CSV-Datei angegebenen Einstellungen für die Türüberwachung verwendet. Diese Einstellungen müssen in der Regel für eine Standardinstallation nicht verändert werden.
 1. **Suchen...** anklicken, die CSV-Datei wählen und **Datei hochladen** anklicken.
 2. Einen Gateway-Knoten wählen und **Weiter** anklicken.
 3. Es wird eine Vorschau der neuen Konfiguration angezeigt. Die Türmonitoren nach Erfordernis deaktivieren.
 4. **Konfigurieren** anklicken.
 5. Es wird eine Vorschau der in die Konfiguration aufgenommenen Türen angezeigt. **Settings (Einstellungen)** anklicken, um jede Tür einzeln zu konfigurieren.

Zurücksetzen auf die Werkseinstellungen

Wichtig

Die Funktion zum Zurücksetzen auf die werksseitigen Standardeinstellungen sollte mit Vorsicht verwendet werden. Beim Zurücksetzen auf die Werkseinstellungen werden alle Einstellungen einschließlich der IP-Adresse auf die Werkseinstellungen zurückgesetzt.

So wird das Produkt auf die werksseitigen Standardeinstellungen zurückgesetzt:

1. Trennen Sie das Produkt von der Stromversorgung.
2. Halten Sie die Steuertaste gedrückt und stellen Sie die Stromversorgung wieder her. Siehe .

3. Halten Sie die Steuertaste 25 Sekunden gedrückt, bis die Status-LED zum zweiten Mal gelb leuchtet.
4. Lassen Sie die Steuertaste los. Der Vorgang ist abgeschlossen, wenn die Status-LED grün leuchtet. Das Produkt wurde auf die Werkseinstellungen zurückgesetzt. Wenn kein DHCP-Server im Netzwerk verfügbar ist, lautet die Standard-IP-Adresse 192.168.0.90.
5. Mithilfe der Software-Tools für Installation und Verwaltung können Sie eine IP-Adresse zuweisen, das Kennwort festlegen und auf das Produkt zugreifen.

Die Parameter können auch über die Weboberfläche auf die Werkseinstellungen zurückgesetzt werden. **Setup > Individuelle Einstellungen > Zusätzliche Controllerkonfiguration > Setup > Systemoptionen > Wartung aufrufen und Standard)** anklicken.

Wartungsanweisungen

Für einen reibungslosen Betrieb des Zugangskontrollsystems empfiehlt Axis eine regelmäßige Wartung des Systems, einschließlich Tür-Controller und angeschlossener Geräte.

Die Wartung sollte mindestens einmal pro Jahr erfolgen. Die empfohlene Wartungsprozedur umfasst unter anderem die folgenden Schritte:

- Stellen Sie sicher, dass alle Verbindungen zwischen dem Tür-Controller und den externen Geräten sicher sind.
- Überprüfen Sie alle Hardware-Anschlüsse. Dafür ist der Zugriff auf die Weboberfläche des Produkts erforderlich. Weitere Informationen hierzu finden Sie im Benutzerhandbuch.
- Stellen Sie sicher, dass das System, einschließlich der angeschlossenen externen Geräte, ordnungsgemäß funktioniert.
 - Ziehen Sie eine Karte durch und testen Sie Leser, Türen und Schlösser.
 - Wenn zum System Geräte, Sensoren oder andere Geräte von REX gehören, müssen diese ebenfalls getestet werden.
 - Ebenfalls aktivierte Manipulationsalarme testen.

Falls die Ergebnisse eines der oben genannten Schritte auf Fehler oder unerwartetes Verhalten hindeuten:

- Testen Sie die Signale der Drähte mit entsprechender Ausrüstung und überprüfen Sie, ob die Drähte oder Kabel beschädigt sind.
 - Ersetzen Sie alle beschädigten oder fehlerhaften Kabel und Drähte.
 - Überprüfen Sie nach dem Austauschen der Kabel und Drähte alle Hardware-Anschlüsse erneut. Dafür ist der Zugriff auf die Weboberfläche des Produkts erforderlich. Weitere Informationen hierzu finden Sie im Benutzerhandbuch.
- Stellen Sie sicher, dass alle Zutrittszeitpläne, Türen, Gruppen und Benutzer aktuell sind. Dafür ist der Zugriff auf die Weboberfläche des Produkts erforderlich. Weitere Informationen hierzu finden Sie im Benutzerhandbuch.

- Wenn der Tür-Controller nicht wie erwartet funktioniert, finden Sie im Benutzerhandbuch Informationen zur Fehlerbehebung sowie zu den integrierten Wartungsfunktionen des Produkts.

Weitere Informationen zur Wartung der Batterie finden Sie unter und *Batterie auf Seite 91*.

Weitere Informationen

- Die aktuelle Version dieses Dokuments finden Sie auf *axis.com*
- Das Benutzerhandbuch steht auf *axis.com* zur Verfügung.
- Unter *axis.com/support* finden Sie die aktuellen Firmwareversionen für Ihr Gerät.
- Nützliches Onlinetraining und Webinare finden Sie unter *axis.com/academy*.

DE

Gewährleistungsinformationen

Informationen zur Gewährleistung für Axis-Produkte und andere in diesem Zusammenhang relevante Informationen finden Sie unter *axis.com/warranty*

Informazioni di sicurezza

Livelli di pericolo

▲PERICOLO

Indica una situazione pericolosa che, se non evitata, provoca morte o lesioni gravi.

▲AVVERTENZA

Indica una situazione pericolosa che, se non evitata, potrebbe provocare la morte o lesioni gravi.

▲ATTENZIONE

Indica una situazione pericolosa che, se non evitata, potrebbe provocare lesioni medie o minori.

AVVISO

Indica una situazione che, se non evitata, potrebbe danneggiare la proprietà.

IT

Altri livelli di messaggio

Importante

Indica informazioni importanti, essenziali per il corretto funzionamento del dispositivo.

Nota

Indica informazioni utili che aiutano a ottenere il massimo dal dispositivo.

Informazioni di sicurezza

▲AVVERTENZA

Il dispositivo Axis deve essere installato da un professionista qualificato, in conformità alle leggi e alle disposizioni locali.

AWISO

- Il dispositivo Axis deve essere utilizzato in conformità alle leggi e alle normative locali.
- Axis consiglia l'uso di un cavo di rete schermato (STP).
- Axis consiglia di utilizzare un cavo di rete di categoria CAT5e o versione successiva.
- Per utilizzare il dispositivo Axis in ambienti esterni o in ambienti simili, deve essere installato in una custodia per esterni approvata.
- Conservare il dispositivo Axis in un ambiente asciutto e ventilato.
- Evitare di esporre il dispositivo Axis a urti o pressioni eccessive.
- Non installare il dispositivo su supporti, superfici, pareti o pali instabili.
- Utilizzare solo strumenti applicabili quando si installa il dispositivo Axis. Se si utilizza una forza eccessiva con strumenti non adatti è possibile causare danni al dispositivo.
- Non utilizzare sostanze chimiche, agenti caustici o detergenti aerosol.
- Utilizzare un panno pulito inumidito in acqua pura per la pulizia.
- Utilizzare solo accessori compatibili con le specifiche tecniche del dispositivo. Questi possono essere forniti da Axis o da terze parti. Axis consiglia l'uso dell'apparecchiatura di alimentazione Axis compatibile con il dispositivo.
- Utilizzare solo parti di ricambio fornite o consigliate da Axis.
- Non tentare di riparare il dispositivo da soli. Contattare l'assistenza o il rivenditore Axis per questioni relative alla manutenzione.
- Il dispositivo dovrebbe essere collegato ad una presa di corrente vicina e facilmente accessibile.
- Utilizzare una sorgente di alimentazione limitata (LPS) con una potenza di uscita nominale limitata a ≤ 100 W o una corrente di output nominale limitata a ≤ 5 A.

Trasporto

AWISO

- Durante il trasporto del dispositivo Axis, utilizzare l'imballaggio originale o equivalente per evitare danni al dispositivo.

Batteria

Il dispositivo Axis utilizza una batteria al litio da 3,0 V CR2032 come alimentazione per il suo real-time clock (RTC) interno. In condizioni normali questa batteria avrà una durata minima di cinque anni.

Una bassa carica della batteria influisce sul funzionamento del RTC, facendolo resettare a ogni accensione. Quando la batteria deve essere sostituita, un messaggio di registro viene visualizzato nel report server del dispositivo. Per ulteriori informazioni sul report server, vedere la pagina Web del dispositivo o contattare l'assistenza Axis.

Le batterie a bottone al litio da 3 V contengono 1,2-dimetossietano; etere dimetilico di glicole etilenico (EGDME), CAS n. 110-71-4.

⚠AVVERTENZA

- Rischio di esplosione se la batteria viene sostituita in modo errato.
- La batteria può essere sostituita solo con una batteria identica.
- Le batterie devono essere smaltite in base alle normative locali o alle istruzioni del produttore della batteria.

Guida all'installazione - Riferimento completo

Questa guida all'installazione completa fornisce le istruzioni necessarie ad installare il dispositivo di controllo accessi AXIS A1001 nella rete in uso.

- Per una guida di riferimento rapido, vedere il documento **AXIS A1001 Guida all'installazione – Riferimento rapido** incluso nel contenuto della confezione. La guida di riferimento rapido è disponibile anche all'indirizzo www.axis.com
- Per ulteriori informazioni sull'utilizzo del dispositivo, consultare la **guida per l'utente di AXIS A1001** disponibile all'indirizzo www.axis.com

Procedura di installazione

1. Assicurarsi che il contenuto della confezione, gli strumenti e altri materiali necessari per l'installazione siano in ordine. Consultare *pagina 135*.
2. Studiare la descrizione dell'hardware. Consultare *pagina 136*.
3. Studiare le specifiche. Consultare *pagina 142*.
4. Installazione dell'hardware. Consultare *pagina 152*.
5. Accedere al dispositivo. Consultare .

IT

Contenuto della confezione

- AXIS A1001 Network Door Controller
- Fascetta (4)
- Vite del coperchio
- Connettore a spina a 6 pin (5, inseriti nei connettori per morsetti)
 - I/O lettore (blu)
 - I/O lettore (rosso)
 - Dati lettore (bianco)
 - Dati lettore (giallo)
 - Alimentazione e relè (arancione)
- Connettore a spina a 4 pin (5, inseriti nei connettori per morsetti)
 - Audio (bianco)
 - Ausiliario (giallo)
 - Ingresso porta (blu)
 - Ingresso porta (rosso)
 - Blocco alimentazione (arancione)
- Connettore a spina a 2 pin (collegato al connettore del morsetto)
 - Alimentazione (nero)

AXIS A1001 Network Door Controller

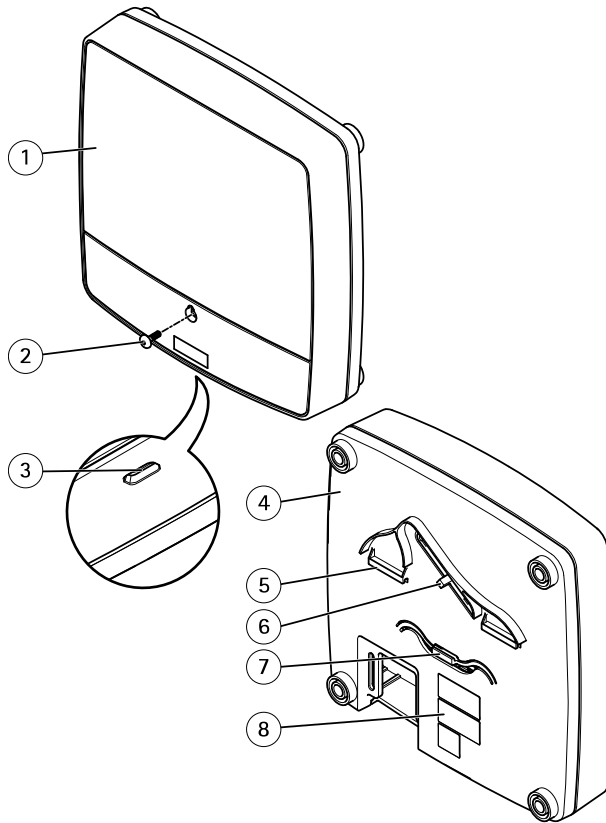
- Materiali cartaceo
 - Guida all'installazione di AXIS A1001 - Riferimento rapido
 - Etichetta aggiuntiva con numero di serie (2x)
 - Chiave di autenticazione AVHS

Strumenti raccomandati

- Trapano: in caso di montaggio a parete o a soffitto
- Cacciavite: in caso di montaggio a parete o a soffitto
- Cacciavite scanalato: per l'apertura del coperchio
- Cacciavite Torx (T10): per il serraggio della vite del coperchio
- Spellacavi

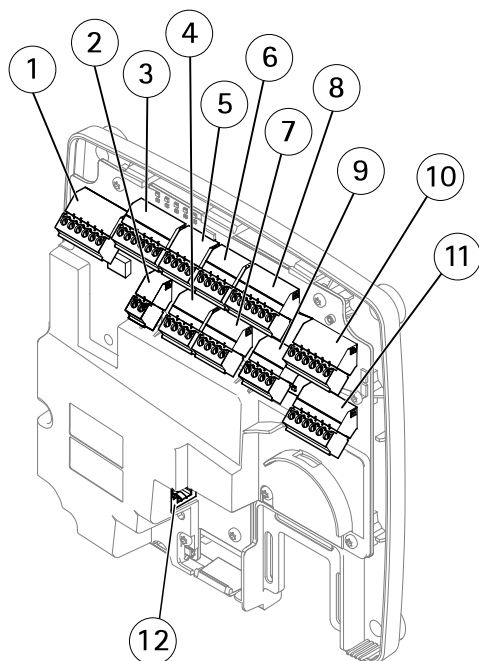
Panoramica dell'hardware

Per le specifiche dei componenti hardware, vedere .



Vista anteriore e posteriore:

- 1 Coperchio
- 2 Vite del coperchio
- 3 Slot di rimozione coperchio
- 4 Base
- 5 Clip DIN superiore
- 6 Interruttore allarme anti-manomissione - retro
- 7 Clip DIN inferiore
- 8 Codice dispositivo (N/P) e numero di serie (N/S)



Interfaccia I/O:

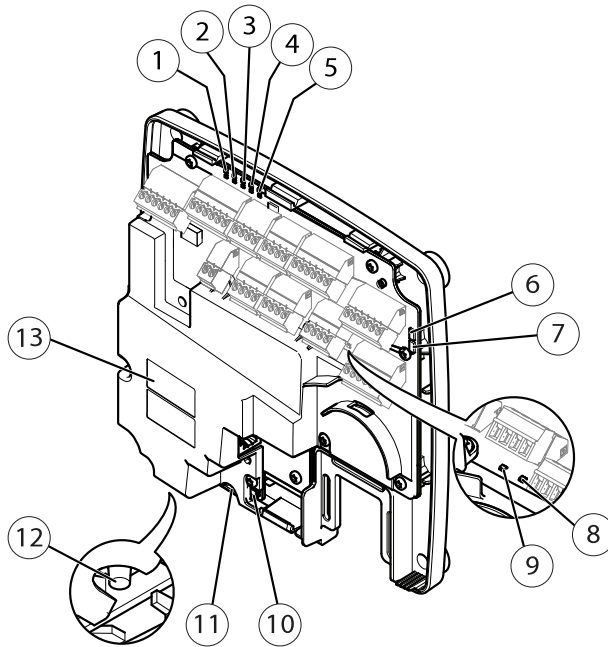
- 1 Connettore dati lettore (READER DATA 1)
- 10 Connettore dati lettore (READER DATA 2)
- 3 Connettore I/O lettore (READER I/O 1)
- 8 Connettore I/O lettore (READER I/O 2)
- 4 Connettore porta (DOOR IN 1)
- 7 Connettore porta (DOOR IN 2)
- 6 Connettore ausiliario (AUX)
- 5 Connettore audio (AUDIO) (non utilizzato)

Ingressi alimentazione esterni:

- 2 Connettore di alimentazione (DC IN)
- 12 Connettore di rete (PoE)

Uscite alimentazione:

- 9 Connettore blocco di alimentazione (LOCK)
- 11 Connettore di alimentazione e relè (PWR, RELAY)



IT

Indicatori LED, pulsanti e altro hardware:

- 1 *Indicatore LED di alimentazione*
- 2 *Indicatore LED di stato*
- 3 *Indicatore LED di rete*
- 4 *Indicatore LED 2 del lettore (non utilizzato)*
- 5 *Indicatore LED 1 del lettore (non utilizzato)*
- 6 *Collettore pin allarmi anti-manomissione - fronte (TF)*
- 7 *Collettore pin allarmi anti-manomissione - retro (TB)*
- 8 *Indicatore LED di blocco*
- 9 *Indicatore LED di blocco*
- 10 *Sensore allarme anti-manomissione - fronte*
- 11 *Slot per scheda SD (microSDHC) (non utilizzato)*
- 12 *Pulsante di comando*
- 13 *Codice dispositivo (N/P) e numero di serie (N/S)*

LED Indicators

LED	Color	Indication
Network	Green	Steady for connection to a 100 MBit/s network. Flashes for network activity.
	Amber	Steady for connection to a 10 MBit/s network. Flashes for network activity.
	Unlit	No network connection.
Status	Green	Steady green for normal operation.
	Amber	Steady during startup and when restoring settings.
	Red	Slow flash for failed upgrade.
Power	Green	Normal operation.
	Amber	Flashes green/amber during firmware upgrade.
Lock	Green	Steady when not energized.
	Red	Steady when energized.
	Unlit	Floating.

Nota

- The Status LED can be configured to flash while an event is active.
- The Status LED can be configured to flash for identifying the unit. Go to **Setup > Additional Controller Configuration > System Options > Maintenance** .

Connettori e pulsanti

Per le specifiche e le condizioni di funzionamento, consultare *pagina 142*.

Interfaccia I/O

Connettori dati lettore

Due morsettiere a 6 pin che supportano protocolli RS485 e Wiegand per la comunicazione con il lettore. Per le specifiche, consultare *pagina 144*.

Connettori I/O lettore

Due morsettiere a 6 pin per l'ingresso e l'uscita del lettore. Oltre al punto di riferimento 0 V CC e all'alimentazione (uscita CC), il connettore I/O lettore fornisce l'interfaccia per:

- Ingresso digitale: ad esempio per il collegamento degli allarmi anti-manomissione del lettore.
- Uscita digitale – Per collegare ad esempio i suoni acustici e segnali LED del lettore.

Per le specifiche, consultare *pagina 145*.

Connettori porta

Due morsettiere a 4 pin per il collegamento di dispositivi di monitoraggio porta e dispositivi REX (Request to Exit). Per le specifiche, consultare *pagina 146*.

Connettore ausiliario

Morsettiera I/O a 4 pin configurabile. Utilizzare con dispositivi esterni in combinazione con, ad esempio, allarmi antimanomissione, attivazione di eventi e notifiche di allarme. Oltre al punto di riferimento 0 V CC e all'alimentazione (uscita CC), il connettore ausiliario fornisce l'interfaccia per:

- Ingresso digitale: ingresso allarme utilizzabile per collegare i dispositivi, che può passare dal circuito chiuso al circuito aperto, ad esempio i sensori PIR o rilevatori di rottura.
- Uscita digitale: per collegare dispositivi esterni come allarmi antifurto, sirene o luci. I dispositivi connessi possono essere attivate tramite l'API (interfaccia per la programmazione di applicazioni) VAPIX® o una regola di azione.

Per le specifiche, consultare *pagina 147*.

Ingressi alimentazione esterna

AVISO

Il dispositivo deve essere collegato con un cavo di rete schermato (STP). Tutti i cavi che collegano il dispositivo alla rete sono destinati al loro uso specifico. Verificare che i dispositivi di rete siano installati secondo le istruzioni del produttore. Per maggiori informazioni sui requisiti normativi, consultare *Electromagnetic compatibility (EMC) on page 4*.

Connettore di alimentazione

Morsettiera a 2 pin utilizzata per l'ingresso dell'alimentazione CC. Utilizzare una sorgente di alimentazione limitata (LPS) compatibile con una bassissima tensione di sicurezza (SELV) con una potenza di uscita nominale limitata a ≤ 100 W o una corrente nominale di uscita limitata a ≤ 5 A. Per le specifiche, consultare *pagina 148*.

Connettore di rete

Connettore Ethernet RJ45. Supporta Power over Ethernet (PoE). Per le specifiche, consultare *pagina 148*.

Uscite alimentazione

Connettore blocco di alimentazione

Morsettiera a 4 pin per la connessione di uno o due blocchi. Il connettore di blocco può essere usato anche per fornire alimentazione ai dispositivi esterni. Per le specifiche, consultare *pagina 148*.

Connettore del relé e di alimentazione

AXIS A1001 Network Door Controller

Morsettiera a 6 pin utilizzata per collegare l'alimentazione e il relé del dispositivo di controllo delle porte a dispositivi esterni quali serrature e sensori. Per le specifiche, consultare *pagina 149*.

Pulsanti e altro hardware

Collettore pin allarmi anti-manomissione Due collettori a due pin per scollegare gli allarmi anti-manomissione anteriore e posteriore. Per le specifiche, consultare *pagina 150*.

Pulsante di comando Il pulsante di comando viene utilizzato per:

- Ripristinare il dispositivo alle impostazioni predefinite di fabbrica. Consultare *pagina 168*.
- Collegare a un servizio AXIS Video Hosting System o AXIS Internet Dynamic DNS Service. Per ulteriori informazioni su questi servizi, consultare il Manuale Utente.

Dati tecnici

Condizioni di funzionamento

Il dispositivo Axis è destinato all'uso interno.

Classificazione	Temperatura	Umidità
IEC 60721-4-3 Classe 3K3, 3M3	Da 0 °C a 50 °C (da 32 °F a 122 °F)	20 - 85% (umidità relativa senza condensa)

Consumo energetico

AWISO

Utilizzare una sorgente di alimentazione limitata (LPS) compatibile con una bassissima tensione di sicurezza (SELV) con una potenza di uscita nominale limitata a ≤ 100 W o una corrente nominale di uscita limitata a ≤ 5 A.

Alimentatore	Carico massimo in uscita
Power over Ethernet IEEE 802.3af/802.3at Tipo 1 Classe 3, 44-57 V CC	7,5 W
10-30 V CC, max 26 W	14 W

Conversione uscita alimentazione (da W ad A)

Se l'alimentatore che si collega al dispositivo Axis ha solo una classificazione ampere (A), il seguente metodo può essere utilizzato per la conversione in watt (W).

Il carico di uscita massima totale del dispositivo Axis dipende dalla sorgente di alimentazione:

Sorgente di alimentazione	Carico massimo totale in uscita
Power over Ethernet IEEE 802.3af/802.3at Tipo 1 Classe 3	7,5 W
10–30 V CC	14 W

La tensione in uscita del dispositivo Axis è di 12 V CC (tranne per il connettore ausiliario che ha una tensione di 3,3 V CC). Se l'alimentatore ha una classificazione massima di ampere di ad esempio 0,3 A, la seguente conversione offre l'alimentazione in watt (W):

Alimentazione (W) = Voltaggio (V) x Corrente (I)

Alimentazione = 12 x 0,3 = 3,6 W

La tabella seguente mostra l'alimentazione disponibile dopo il collegamento del dispositivo da 0,3 A nell'esempio.

Sorgente di alimentazione	Alimentazione disponibile
Power over Ethernet IEEE 802.3af/802.3at Tipo 1 Classe 3	7,5 – 3,6 = 3,9 W
10–30 V CC	14 – 3,6 = 10,4 W

L'uscita CC sui seguenti connettori è considerata come uscita di alimentazione: '

- Connettore blocco di alimentazione
- Connettore di alimentazione e relè
- Connettore I/O lettore
- Connettore ausiliario

AVVISO

L'alimentazione di uscita del connettore ausiliario ha una tensione di 3,3 V CC.

Per le specifiche del connettore, vedere *Connettore di alimentazione alla pagina 148* e *Connettore di rete alla pagina 148*.

Livelli di prestazioni per il controllo dell'accesso

In questa sezione vengono illustrate le informazioni del livello di prestazioni richieste per la conformità UL 294.

AXIS A1001 Network Door Controller

Funzione	Livello
Test attacco distruttivo	I
Sicurezza linea	I
Durata	IV - Video Intelligente
Alimentazione standby	I

Area di cablaggio

AWISO

Per ogni cavo l'area della sezione del conduttore deve corrispondere all'intervallo dei calibri dei conduttori 28-16 AWG (CSA) o 22-14 AWG (cUL/UL). Selezionare i cavi nel rispetto delle normative locali.

AWG	Diametro mm (pollici)	Area mm ²
28-16	0.321-1.29 (0.0126-0.0508)	0.0810-1.31
22-14	0.644-1.63 (0.0253-0.0641)	0.326-2.08

Connettori

Per informazioni sulle posizioni dei connettori, consultare *Panoramica dell'hardware alla pagina 136*.

Per gli schemi di connessione e le informazioni sullo schema dei pin hardware generato tramite la configurazione dell'hardware, consultare *Schemi delle connessioni alla pagina 150* e *Configurazione dell'hardware alla pagina 164*.

Nella sezione seguente vengono descritte le specifiche tecniche dei connettori.

Connettore dati lettore

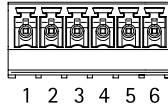
Morsettiera a 6 pin che supporta i protocolli RS485 e Wiegand per la comunicazione con il lettore.

Le porte RS485 supportano:

- RS485 a due fili, half-duplex
- RS485 a quattro fili, full-duplex

Le porte Wiegand supportano:

- Wiegand a due fili



Funzione		Pin	Note
RS485	A-	1	Per RS485 full duplex Per RS485 half duplex
	B+	2	
RS485	A-	3	Per RS485 full duplex Per RS485 half duplex
	B+	4	
Wiegand	D0 (Dati 0)	5	Per Wiegand
	D1 (Dati 1)	6	

IT

Importante

Le porte RS485 hanno una velocità di trasmissione fissa di 9600 Bit/s.

Importante

La lunghezza cavo massima consigliata è di 30 m.

Importante

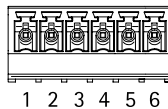
I circuiti di uscita in questa sezione sono di Classe 2 con potenza limitata.

Connettore I/O lettore

Morsettiera a 6 pin per:

- Alimentazione ausiliaria (uscita CC)
- Ingresso digitale
- Uscita digitale
- 0 V CC (-)

Il pin 3 sui connettori I/O lettore può essere supervisionato. Se il collegamento viene interrotto, viene attivato un evento. Per utilizzare ingressi supervisionati, installare resistori terminali. Per gli ingressi supervisionati utilizzare lo schema delle connessioni. Consultare *pagina 151*.



Funzione	Pin	Note	Specifiche
0 V CC (-)	1		0 V CC

AXIS A1001 Network Door Controller

Uscita CC	2	Per alimentare periferiche ausiliarie. Nota: questo pin può essere usato solo come uscita alimentazione.	12 V CC Carico massimo = 300 mA
Configurabile (ingresso o uscita)	3-6	Ingresso digitale: collegare al pin 1 per attivare oppure lasciare isolato (scollegato) per disattivare.	Da 0 a max 40 V CC
		Uscita digitale: collegare al pin 1 per attivare oppure lasciare isolato (scollegato) per disattivare. Se utilizzata con un carico induttivo, ad esempio un relè esterno, è necessario collegare un diodo in parallelo al carico per proteggere il dispositivo da sovratensioni.	Da 0 a max 40 V CC, open-drain, 100 mA

Importante

La lunghezza cavo massima consigliata è di 30 m.

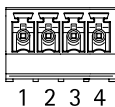
Importante

I circuiti di uscita in questa sezione sono di Classe 2 con potenza limitata.

Connettore porta

Due morsettiere a 4 pin utilizzate per i dispositivi di monitoraggio porte (ingresso digitale).

Tutti i pin di ingresso porte possono essere supervisionati. Se il collegamento viene interrotto, viene attivato un allarme. Per utilizzare ingressi supervisionati, installare resistori terminali. Per gli ingressi supervisionati utilizzare lo schema delle connessioni. Consultare *pagina 151*.



Funzione	Pin	Note	Specifiche
0 V CC (-)	1, 3		0 V CC
Ingresso	2, 4	Per comunicare con il monitor della porta. Ingresso digitale - Collegare al pin 1 o 3 rispettivamente per attivarlo oppure lasciarlo isolato (scollegato) per disattivarlo. Nota: usare questo pin solo come ingresso.	Da 0 a max 40 V CC

Importante

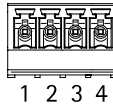
La lunghezza cavo massima consigliata è di 30 m.

Connettore ausiliario

Morsettiera I/O a 4 pin configurabile per:

- Alimentazione ausiliaria (uscita CC)
- Ingresso digitale
- Uscita digitale
- 0 V CC (-)

Per un esempio di schema delle connessioni, consultare *Schemi delle connessioni alla pagina 150*.



IT

Funzione	Pin	Note	Specifiche
0 V CC (-)	1		0 V CC
Uscita CC	2	Per alimentare periferiche ausiliarie. Nota: questo pin può essere usato solo come uscita alimentazione.	3,3 V CC Carico massimo = 100 mA
Configurabile (ingresso o uscita)	3-4	Ingresso digitale: collegare al pin 1 per attivare oppure lasciare isolato (scollegato) per disattivare.	Da 0 a max 40 V CC
		Uscita digitale: collegare al pin 1 per attivare oppure lasciare isolato (scollegato) per disattivare. Se utilizzata con un carico induttivo, ad esempio un relè esterno, è necessario collegare un diodo in parallelo al carico per proteggere il dispositivo da sovratensioni.	Da 0 a max 40 V CC, open-drain, 100 mA

Importante

La lunghezza cavo massima consigliata è di 30 m.

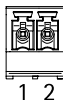
Importante

I circuiti di uscita in questa sezione sono di Classe 2 con potenza limitata.

AXIS A1001 Network Door Controller

Connettore di alimentazione

Morsettiera a 2 pin per ingresso alimentazione CC. Utilizzare una sorgente di alimentazione limitata (LPS) compatibile con una bassissima tensione di sicurezza (SELV) con una potenza di uscita nominale limitata a ≤ 100 W o una corrente nominale di uscita limitata a ≤ 5 A.



Funzione	Pin	Note	Specifiche
0 V CC (-)	1		0 V CC
Ingresso CC	2	Per l'alimentazione del controller quando non si usa Power over Ethernet. Nota: questo pin può essere usato solo come ingresso alimentazione.	Da 10 a 30 V CC, max 26 W Carico massimo in uscita = 14 W

Connettore di rete

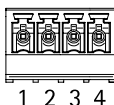
Connettore Ethernet RJ45. Usare cavi di Categoria 5e o superiore.

Funzione	Specifiche
Alimentazione ed Ethernet	Power over Ethernet IEEE 802.3af/802.3at Tipo 1 Classe 3, 44–57 V CC Carico massimo in uscita = 7,5 W

Connettore blocco di alimentazione

Morsettiera a 4 pin per l'alimentazione di uno o due blocchi (uscita CC). Il connettore di blocco può essere usato anche per fornire alimentazione ai dispositivi esterni.

Collegare blocchi e carichi ai pin in base allo schema dei pin hardware generato tramite la configurazione dell'hardware.



AXIS A1001 Network Door Controller

Funzione	Pin	Note	Specifiche
0 V CC (-)	1, 3		0 V CC
0 V CC, isolato o 12 V CC	2, 4	Per controllare fino a due blocchi da 12 V. Usare lo schema dei pin hardware. Consultare <i>Configurazione dell'hardware alla pagina 164</i> .	12 V CC Carico massimo totale = 500 mA

AVISO

Se il blocco non è polarizzato, si consiglia di aggiungere un diodo di ritorno esterno.

Importante

I circuiti di uscita in questa sezione sono di Classe 2 con potenza limitata.

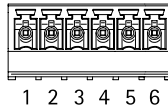
IT

Connettore del relé e di alimentazione

Morsettiera a 6 pin con relé integrato per:

- Dispositivi esterni
- Alimentazione ausiliaria (uscita CC)
- 0 V CC (-)

Collegare blocchi e carichi ai pin in base allo schema dei pin hardware generato tramite la configurazione dell'hardware.



Funzione	Pin	Note	Specifiche
0 V CC (-)	1, 4		0 V CC
Relé	2-3	Per il collegamento di relé. Usare lo schema dei pin hardware. Consultare <i>Configurazione dell'hardware alla pagina 164</i> . I due pin relé sono separati con isolamento galvanico dal resto dei circuiti.	Corrente max = 700 mA Tensione max = +30 V CC
12 V CC	5	Per alimentare periferiche ausiliarie. Nota: questo pin può essere usato solo come uscita alimentazione.	Tensione massima = +12 V CC Carico massimo = 500 mA
24 V CC	6	Non utilizzato	

AXIS A1001 Network Door Controller

AWISO

Se il blocco non è polarizzato, si consiglia di aggiungere un diodo di ritorno esterno.

Importante

I circuiti di uscita in questa sezione sono di Classe 2 con potenza limitata.

Collettore pin allarmi anti-manomissione

Due collettori a 2 pin per escludere:

- Allarme anti-manomissione posteriore (TB)
- Allarme anti-manomissione anteriore (TF)



Funzione	Pin	Note
Allarme anti-manomissione posteriore	1-2	Per escludere contemporaneamente l'allarme anti-manomissione anteriore e posteriore, collegare i ponticelli tra TB 1, TB 2 e TF 1, TF 2, rispettivamente. Se si escludono gli allarmi anti-manomissione il sistema non identificherà alcun tentativo di manomissione.
Allarme anti-manomissione anteriore	1-2	

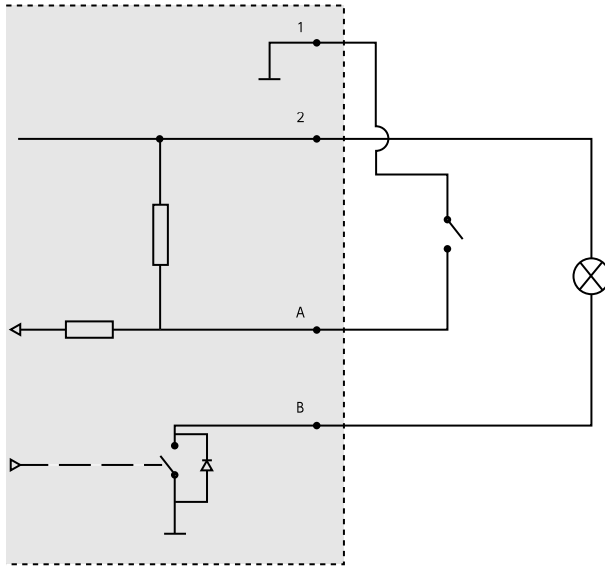
Nota

Gli allarmi anti-manomissione anteriore e posteriore sono collegati per impostazione predefinita. È possibile configurare l'attivazione di apertura della struttura in modo che esegua un'azione se il dispositivo di controllo delle porte viene aperto o rimosso dalla parete o dal soffitto. Per informazioni sulla configurazione di allarmi ed eventi, consultare il manuale per l'utente.

Schemi delle connessioni

Collegare i dispositivi in base allo schema dei pin hardware generato tramite la configurazione dell'hardware. Per ulteriori informazioni sulla configurazione dell'hardware e lo schema dei pin hardware, consultare *Configurazione dell'hardware alla pagina 164*.

Connettore ausiliario

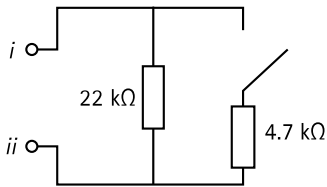


- 1 0 V CC (-)
- 2 Uscita CC: 3,3 V max 100 mA
- A I/O configurato come ingresso
- B I/O configurato come uscita

IT

Ingressi supervisionati

Per utilizzare gli ingressi supervisionati, installare resistori terminali in base al diagramma di seguito riportato.



- i* Ingresso
- ii* 0 V CC (-)

Nota

Si consiglia l'uso di cavi intrecciati e schermati. Connetti schermatura a 0 V CC.

Installazione dell'hardware

⚠ATTENZIONE

Non montare mai il prodotto Axis mentre viene alimentato. Collegare l'alimentazione sempre al termine dell'installazione.

AVISO

Per proteggere i circuiti dalle scariche elettrostatiche (ESD), utilizzare appropriate protezioni ESD per maneggiare il prodotto quando componenti e contatti sono esposti.

Leggere attentamente tutte le istruzioni prima di installare il prodotto.

- Per configurare l'hardware, consultare *pagina 164*.
- Per montare il prodotto a parete (metodo consigliato) o a soffitto, consultare *pagina 153*.
- Per montare il prodotto su una guida DIN, consultare *pagina 154*.
- Per collegare i cavi, consultare *pagina 155*.

Considerazioni di sistema

Il dispositivo Axis deve essere installato nell'area protetta.

Il dispositivo Axis, se è installato come un singolo dispositivo di controllo porta o in un sistema di dispositivi di controllo porta, non limita o indebolisce la destinazione d'uso dei dispositivi ad esso collegati.

Il dispositivo Axis deve essere installato su una parete (scelta preferita) o su un soffitto, con o senza scatola di derivazione. Può essere installato anche su una barra DIN.

Dimensione del sistema

Il dispositivo Axis può essere collegato ad altri dispositivi di controllo porte di rete Axis in un cluster in grado di gestire fino a 66 porte o dispositivi wireless (all'interno del cluster). Ogni dispositivo Axis può collegare fino a un massimo di due porte cablate o una porta cablata insieme a un gateway wireless. La quantità di blocchi wireless configurati per ogni gateway dipende dal produttore.

Nota

- I blocchi wireless non sono venduti e distribuiti da Axis Communications. Per il supporto e la formazione relativa ai sistemi wireless, rivolgersi al partner dei produttori.
- Il dispositivo Axis è considerato indipendente e non richiede la connessione costante ad un computer per il corretto funzionamento. L'uso di un computer collegato è solo per la programmazione locale, il download e gli scopi di monitoraggio supplementari.

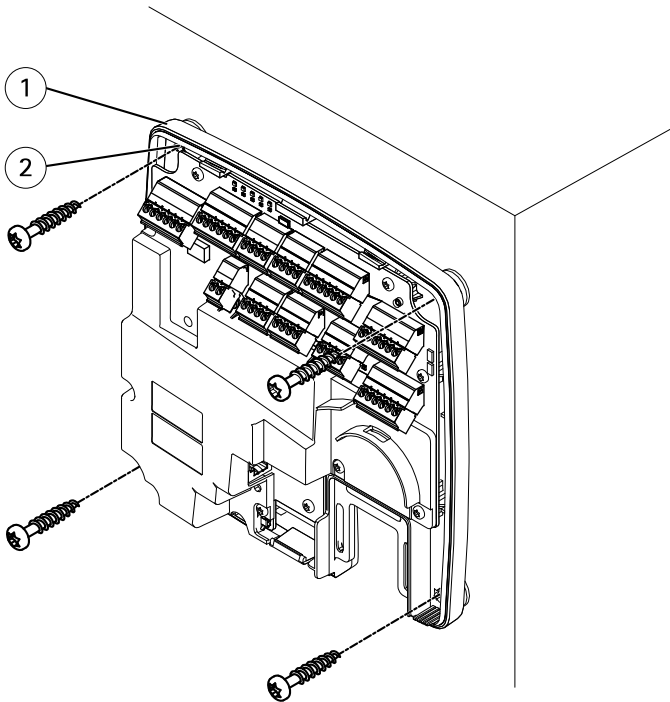
Montaggio a parete e a soffitto

AVVISO

Quando si installa il door controller a parete, assicurarsi che la foratura per i cavi sia rivolta verso il basso.

1. Se viene utilizzata una scatola di derivazione, installarla prima del network door controller. Per la conformità UL, la scatola di derivazione deve essere classificata "UL Listed".
2. Se necessario, rimuovere la vite del coperchio, inserire un cacciavite scanalato nello slot di rimozione del coperchio e rimuovere il coperchio. Consultare *Panoramica dell'hardware* alla pagina 136.
3. Contrassegnare i punti per i fori per le viti sulla parete/sul soffitto, utilizzando la base come modello.
4. Se necessario, praticare i fori per le viti con un trapano.
5. Montare la base sulla parete o sul soffitto. Verificare che le viti e i tasselli siano adatti al materiale (ad esempio legno, metallo, cartongesso, pietra).

IT



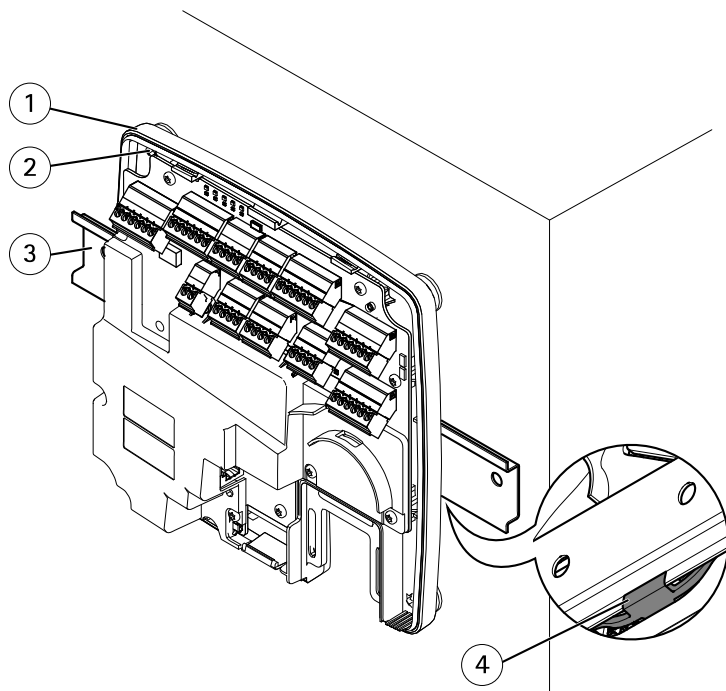
1 Base

2 Foro per vite (4)

6. Collegare i cavi. Consultare *pagina 155*.

Montaggio su guida DIN

1. Se necessario, installare una guida DIN (non inclusa).
2. Se necessario, rimuovere la vite del coperchio, inserire un cacciavite scanalato nello slot di rimozione del coperchio e rimuovere il coperchio. Consultare *Panoramica dell'hardware alla pagina 136*.
3. Agganciare la clip DIN inferiore, che è flessibile, alla parte inferiore della guida DIN, inclinando la base leggermente in avanti.
4. Sollevare la base in modo che la clip DIN inferiore raggiunga la posizione più bassa.
5. Inclinare la base all'indietro in modo che sia parallela alla parete e al soffitto.
6. Agganciare la clip DIN superiore alla parte superiore della guida DIN abbassando la base.



- 1 Base
- 2 Foro per vite (4)

- 3 Guida DIN
- 4 Clip DIN inferiore

7. Fissare la base utilizzando quattro viti. Verificare che le viti e i tasselli siano adatti al materiale (ad esempio legno, metallo, cartongesso, pietra). Consultare *Montaggio a parete e a soffitto alla pagina 153*.

Nota

Per evitare la curvatura della base, non serrare eccessivamente le viti. Lasciare circa 2,5 mm (0,1 pollici). La curvatura della base impedirebbe la chiusura del coperchio.

8. Collegare i cavi. Consultare *pagina 155*.

Collegamento dei cavi

IT

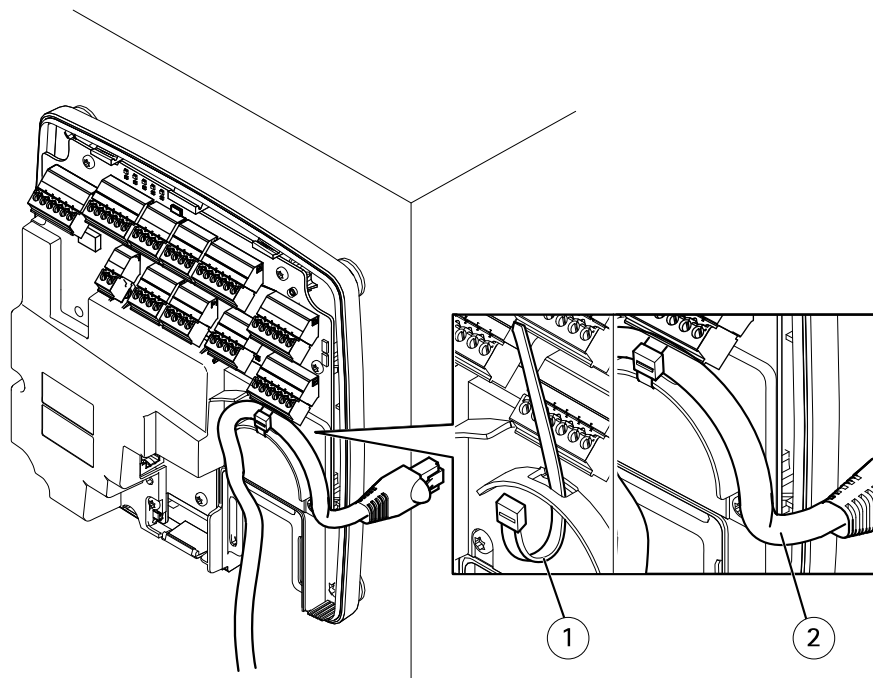
⚠ATTENZIONE

Scollegare l'alimentazione prima di collegare qualsiasi cavo al prodotto Axis. Non effettuare mai collegamenti mentre il prodotto viene alimentato.

AVVISO

- Il dispositivo deve essere collegato con un cavo di rete schermato (STP). Tutti i cavi che collegano il dispositivo alla rete sono destinati al loro uso specifico. Verificare che i dispositivi di rete siano installati secondo le istruzioni del produttore. Per maggiori informazioni sui requisiti normativi, consultare *Regulatory information on page 4*.
 - Se si utilizza Power over Ethernet, collegare il cavo di rete alla rete solo dopo aver collegato tutti gli altri cavi.
 - Per consentire la manutenzione futura, per evitare di sottoporre cavi e connettori a eccessiva tensione e per evitare danni all'isolamento dei conduttori, lasciare un tratto dei cavi disponibile alle ispezioni e verificare che non vi siano cavi pendenti o non fissati saldamente. Utilizzare le apposite fascette in dotazione.
 - Per proteggere i circuiti dalle scariche elettrostatiche (ESD), utilizzare appropriate protezioni ESD durante il collegamento dei cavi al prodotto.
1. Far passare il cavo di rete intorno al guidacavo e collegarlo al connettore di rete.
 2. Fissare il cavo di rete al guidacavo con una delle fascette in dotazione.

AXIS A1001 Network Door Controller

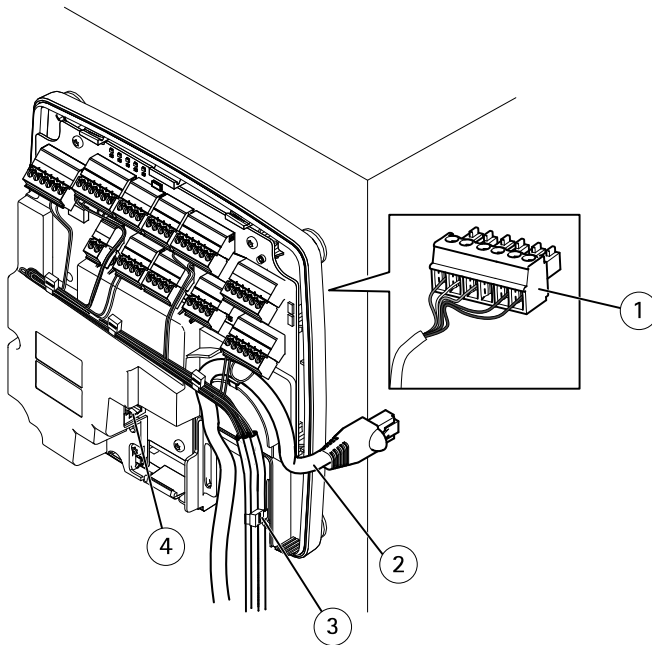


- 1 Fascetta
2 Cavo di rete

3. Spellare i cavi come richiesto utilizzando una crimpatrice.
4. Collegare i cavi tra il door controller e le serrature, le porte e gli altri dispositivi. Per ulteriori informazioni sui connettori e le relative specifiche, consultare *pagina 140* e *pagina 144*.

AWISO

- Verificare che tutti i cavi siano collegati correttamente. Un collegamento non corretto può causare danni al prodotto.
- Assicurarsi di utilizzare cavi conformi ai requisiti. Per ulteriori informazioni, consultare *Area di cablaggio alla pagina 144* e, per la conformità UL, *Requirements for Compliance with UL294 6th Edition on page 7*.

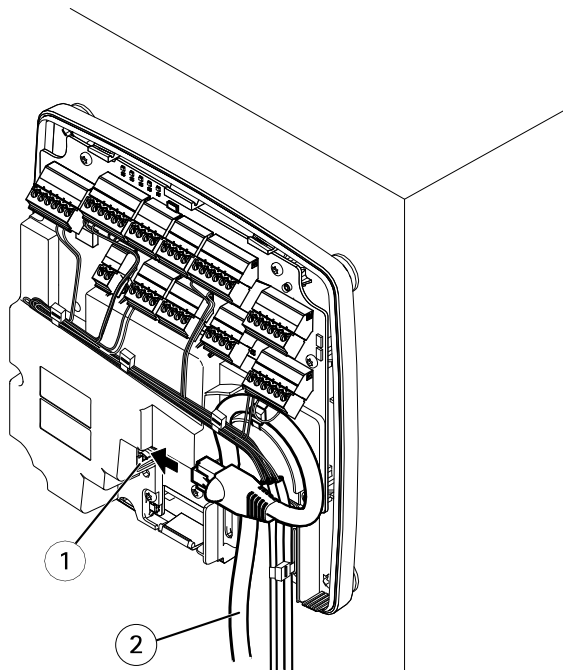


Esempio di collegamento di cavi

- 1 Connettore a spina a 6 pin
- 2 Cavo di rete
- 3 Fascetta (4)
- 4 Connettore di rete

Nota

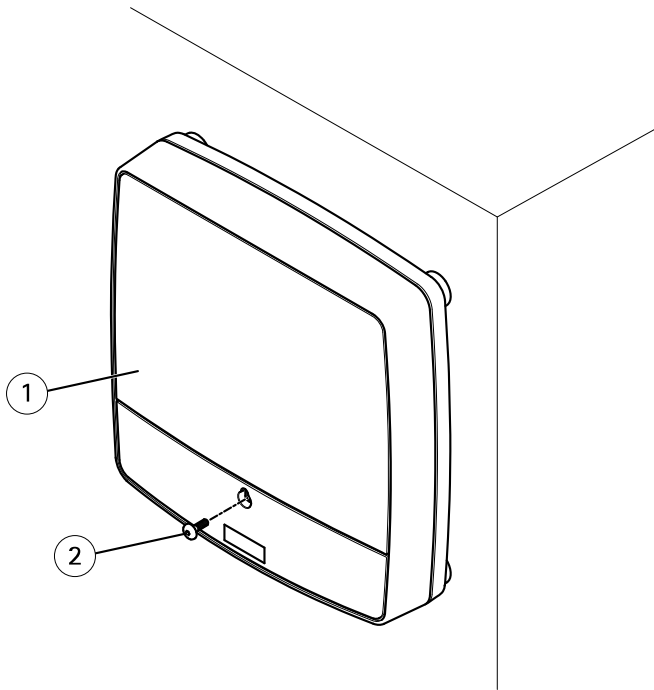
- Per i dispositivi che sono stati configurati nelle pagine di configurazione dell'hardware del prodotto, utilizzare lo schema dei pin hardware come guida per il collegamento dei pin. Per ulteriori informazioni sulla configurazione dell'hardware e lo schema dei pin hardware, consultare *Configurazione dell'hardware alla pagina 164*.
 - Per informazioni sul collegamento degli altri cavi, quali i cavi di alimentazione di serrature, lettori e altri dispositivi, consultare le istruzioni dei produttori.
5. Raccogliere tutti i cavi in modo ordinati e fissarli con le apposite fascette in dotazione.
 6. Etichettare i cavi per futuro riferimento.
 7. Se si utilizza Power over Ethernet, collegare il cavo di rete alla rete.
 8. Se si utilizza Ethernet e l'alimentazione esterna (10–30 V CC), collegare il cavo di rete alla rete, quindi collegare l'alimentazione. Utilizzare una sorgente di alimentazione limitata (LPS) compatibile con una bassissima tensione di sicurezza (SELV). Per ulteriori informazioni, consultare *Connettore di alimentazione alla pagina 148*.



Esempio di collegamento di cavi

- 1 Connettore di rete
- 2 Cavo di rete

9. Verificare che i LED indichino le corrette condizioni. Consultare *LED Indicators* alla pagina 140.
10. Fissare il coperchio alla base e serrare la vite del coperchio.



- 1 Coperchio
- 2 Vite del coperchio (T10)

Accedere al dispositivo

Il dispositivo può essere utilizzato con la maggior parte dei sistemi operativi e dei browser. I browser consigliati sono Internet Explorer con Windows, Safari con Macintosh e Firefox con gli altri sistemi operativi.

Quando si accede al dispositivo per la prima volta, è necessario assegnare un indirizzo IP e impostare la password *root* predefinita per l'utente amministratore.

- Per assegnare un indirizzo IP, consultare *pagina 160*.
- Per impostare la password *root*, consultare *page 42*.

Modalità di accesso al dispositivo da un browser

1. Avviare un browser Web.
2. Immettere l'indirizzo IP e il nome host del dispositivo Axis nel campo dell'indirizzo del browser.

Se non si conosce l'indirizzo IP, individuare il dispositivo sulla rete tramite AXIS IP Utility. Per informazioni su come trovare e assegnare un indirizzo IP, vedere *Assegnazione di un indirizzo IP alla pagina 160*. Queste informazioni sono disponibili anche sulle pagine dedicate all'assistenza all'indirizzo axis.com/support

3. Immettere il nome utente e la password. Se questa è la prima volta che si accede al dispositivo, è necessario innanzitutto configurare la password root.
4. AXIS Entry Manager si apre nel browser. La pagina iniziale è chiamata pagina Panoramica.

Modalità di accesso al dispositivo da Internet

Un router di rete consente ai dispositivi su una rete privata (LAN) di condividere una singola connessione a Internet. Ciò viene realizzato inoltrando il traffico di rete da una rete privata a Internet.

La maggior parte dei router sono preconfigurati per interrompere i tentativi di accesso alla rete privata (LAN) da una rete pubblica (Internet).

Se il dispositivo Axis si trova su una intranet (LAN) e si desidera renderlo disponibile da un'altra posizione (WAN) di un router NAT (Network Address Translator), attivare la funzionalità **NAT traversal**. Se la funzione è correttamente configurata, tutto il traffico HTTP a una porta HTTP esterna nel router NAT viene inoltrato al dispositivo.

Modalità di attivazione della funzionalità NAT-traversal

- Andare a **Setup > Additional Controller Configuration > System Options > Network > TCP/IP > Advanced (Configurazione > Configurazione controllo aggiuntivo > Opzioni di sistema > Rete > TCP/IP > Avanzate)**.
- Fare clic su **Enable (Abilita)**.
- Configurare manualmente il router NAT per consentire l'accesso da Internet.

Vedere anche **AXIS Internet Dynamic DNS Service** all'indirizzo www.axiscam.net

Nota

- In questo contesto, un "router" fa riferimento a qualsiasi dispositivo di routing di rete quale router NAT, router di rete, gateway Internet, router a banda larga, dispositivo di condivisione a banda larga o un software, ad esempio un firewall.
- Affinché la funzionalità NAT traversal funzioni deve essere supportata dal router. Il router deve inoltre supportare UPnP®.

Assegnazione di un indirizzo IP

Informazioni sugli indirizzi IP

I dispositivi Axis devono essere utilizzati su una rete Ethernet. Per accedere alla pagina Web del dispositivo è necessario un indirizzo IP. La maggior parte delle reti dispone di un server DHCP che assegna automaticamente gli indirizzi IP alle periferiche connesse.

Se la rete non dispone di un server DHCP, l'indirizzo IP predefinito 192.168.0.90.

Metodi consigliati in Windows®

AXIS IP Utility e AXIS Camera Management sono i metodi consigliati per trovare i dispositivi Axis in rete e assegnare loro un indirizzo IP in Windows®. Queste applicazioni sono entrambe gratuite e possono essere scaricate dal sito Web all'indirizzo: www.axis.com/techsup

AXIS IP Utility

Nota

Il dispositivo Axis deve essere installato sullo stesso segmento di rete (subnet fisica) del computer sul quale è in esecuzione AXIS IP Utility.

IT

Accesso al dispositivo sulla rete

1. Collegare l'alimentazione e la rete al dispositivo Axis.
2. Avviare AXIS IP Utility. Tutti i dispositivi disponibili nella rete vengono visualizzati automaticamente nell'elenco.
3. Per accedere al dispositivo da un browser fare doppio clic sul nome nell'elenco.

Modificare l'Indirizzo IP di un dispositivo.

1. Avviare AXIS IP Utility. Tutti i dispositivi disponibili nella rete vengono visualizzati automaticamente nell'elenco.
2. Fare clic con il pulsante destro del mouse e selezionare **Assegna nuovo indirizzo IP ai dispositivi selezionati**.
3. Inserire un indirizzo IP e fare clic su **Assegna**.
4. Per accedere al dispositivo da un browser fare doppio clic sul nome nell'elenco.

AXIS Device Manager

Accesso al dispositivo sulla rete

1. Collegare l'alimentazione e la rete al dispositivo Axis.
2. Avviare AXIS Device Manager.
3. Per collegarsi a un server, andare a **Main menu > Servers > New connection (Menu principale > Server > Nuova connessione)**:
 - Se il server è sulla rete, selezionare **Remote server (Server remoto)**, quindi selezionare un server dall'elenco a discesa o immettere l'indirizzo IP o DNS nel campo **Server remoto**.
 - Se il server è in esecuzione sul computer locale, selezionare **Questo computer**.
4. Per eseguire l'accesso come utente corrente di Windows fare clic su **Accedi**.


AXIS A1001 Network Door Controller

Se viene deselezionato **Accedi come utente corrente** è necessario inserire un nome utente e una password nel passaggio successivo.

5. Aggiungi dispositivi:
 - AXIS Device Management cerca automaticamente i dispositivi Axis nella rete e li aggiunge all'elenco di dispositivi.
 - Per aggiungere i dispositivi manualmente, andare a **Device management > Add devices (Gestione dispositivi > Aggiungi dispositivi)**. Selezionare i dispositivi da aggiungere dall'elenco e fare clic su **Avanti**, quindi su **Fine**.
 - Per aggiungere i dispositivi da un intervallo IP, andare a **Device management > Add devices from IP range (Gestione dispositivi > Aggiungi dispositivi dall'intervallo IP)**.
 - Per aggiungere un dispositivo da un indirizzo IP specifico, andare a **Device management > Add device from address (Gestione dispositivi > Aggiungi dispositivo dall'indirizzo)**.
6. Per accedere al dispositivo da un browser fare doppio clic sul collegamento dell'indirizzo nell'elenco.

Cambiare gli IP di più dispositivi

Per velocizzare il processo di assegnazione degli indirizzi IP, AXIS Device Manager suggerisce indirizzi IP in base a un intervallo specifico.

1. In AXIS Device Manager, andare a **Device management (Gestione dispositivi)**.
2. Selezionare i dispositivi che desideri configurare e quindi fare clic su **Assegna indirizzo IP ai dispositivi selezionati** .
3. Nella finestra di dialogo **Manutenzione dispositivo** fare clic su **Sì**.
4. Selezionare **Assegna il seguente intervallo di indirizzi IP**.
5. Per modificare l'intervallo di indirizzi IP inserire tale intervallo nel campo di testo **Intervallo IP**.
6. Fare clic su **Avanti**.
7. Per modificare gli indirizzi IP selezionare un dispositivo e fare clic su **Modifica IP**.
8. Fare clic su **Fine**.

Altri metodi

L'elenco seguente descrive gli altri metodi disponibili per assegnare o individuare indirizzi IP.

Windows®

- **UPnP™**
UPnP abilita il rilevamento automatico dei dispositivi Axis e li aggiunge a **Rete** o **My Network Places**.

Mac OS X® 10.4 o versioni successive

- **Bonjour** (applicabile ai browser con supporto per Bonjour)
Selezionare il segnalibro Bonjour nel browser (ad esempio Safari) e fare clic sul collegamento per accedere alla pagina Web.

Tutti i sistemi operativi

- **Server DHCP**
Per visualizzare le pagine di amministrazione del server DHCP di rete, consultare la relativa documentazione per l'utente.
- **Servizi hosted video**
Per la connessione a un servizio hosted video, fare riferimento alla Guida all'installazione del fornitore del servizio. Per informazioni e assistenza sulla ricerca di un fornitore di servizi nella propria zona, accedere alla pagina www.axis.com/hosting

IT

Assegnazione di un indirizzo IP tramite ARP/Ping

È possibile assegnare l'indirizzo IP del dispositivo tramite ARP/Ping. È necessario eseguire il comando entro 2 minuti dal collegamento all'alimentazione.

1. Acquisire un indirizzo IP statico libero sullo stesso segmento di rete del computer.
2. Individuare il numero di serie indicato sull'etichetta del dispositivo.
3. Aprire il prompt dei comandi e digitare i seguenti comandi:

Sintassi Linux/Unix

```
arp -s <indirizzo IP> <numero di serie> temp  
ping -s 408 <indirizzo IP>
```

Esempio Linux/Unix

```
arp -s 192.168.0.125 00:40:8c:18:10:00 temp  
ping -s 408 192.168.0.125
```

Sintassi Windows (può richiedere l'esecuzione del prompt dei comandi come amministratore)

```
arp -s <indirizzo IP> <numero di serie>  
ping -l 408 -t <indirizzo IP>
```

Esempio Windows (può richiedere l'esecuzione del prompt dei comandi come amministratore)

```
arp -s 192.168.0.125 00-40-8c-18-10-00  
ping -l 408 -t 192.168.0.125
```

4. Riavviare il dispositivo scollegando e ricollegando il connettore di rete.
5. Chiudere il prompt dei comandi appena viene visualizzato il messaggio `Reply from 192.168.0.125:...` (Risposta da 192.168.0.125:...) o un messaggio simile.
6. Aprire un browser e digitare `http://<indirizzo IP>` nel campo dell'indirizzo.

Nota

- Per aprire un prompt dei comandi in Windows, aprire il menu **Start (Start)** e cercare `cmd`.
- Per usare il comando ARP in Windows 8/Windows 7/Windows Vista, fare clic con il pulsante destro del mouse sull'icona del prompt dei comandi e selezionare **Run as administrator (Esegui come amministratore)**.
- Per aprire un prompt dei comandi in Mac OS X, aprire **Terminal utility (utility Terminal)** in **Application > Utilities (Applicazione > Utilità)**.

Come impostare la password root

Per accedere al dispositivo Axis, è necessario impostare la password dell'utente amministratore predefinito **root**. Questa operazione viene effettuata nella finestra di dialogo **Configure Root Password (Configura password root)**, visualizzata quando si accede al dispositivo per la prima volta.

Per evitare intercettazioni sulla rete, la password root può essere impostata tramite una connessione HTTPS crittografata, con un certificato HTTPS. HTTPS (Hypertext Transfer Protocol over SSL) è un protocollo utilizzato per crittografare il traffico tra i browser e i server Web. Il certificato HTTPS assicura lo scambio crittografato di informazioni.

Il nome utente amministratore predefinito **root** è permanente e non può essere eliminato. Se si smarrisce la password di root, il dispositivo deve essere ripristinato alle impostazioni predefinite di fabbrica. Per informazioni su come ripristinare il dispositivo ai valori predefiniti di fabbrica, consultare il manuale per l'utente del dispositivo.

Per impostare la password, inserirla direttamente nella finestra di dialogo.

Configurazione dell'hardware

Prima di installare il dispositivo, configurare l'hardware nelle pagine **Hardware Configuration (Configurazione hardware)**.

È possibile collegare lettori, serrature e altri dispositivi al dispositivo Axis prima di completare la configurazione hardware. Tuttavia, sarà più semplice collegare i dispositivi dopo aver completato la configurazione dell'hardware. Ciò è dovuto al fatto che al termine della configurazione è disponibile uno schema dei pin hardware che funge da guida per connettere i pin e può essere utilizzato come scheda di riferimento per la manutenzione. Per le istruzioni per la manutenzione, consultare *pagina 169*.

Per configurare l'hardware, selezionare uno dei seguenti metodi:

- Importazione di un file di configurazione dell'hardware Consultare *pagina 165*.
- Creazione di una nuova configurazione dell'hardware Consultare *pagina 165*.

Nota

Se l'hardware del dispositivo non è stato configurato prima o è stato cancellato, l'opzione **Hardware Configuration (Configurazione hardware)** sarà disponibile nel pannello delle notifiche della pagina Overview (Panoramica).

Modalità di importazione di un file di configurazione dell'hardware

La configurazione dell'hardware del dispositivo Axis può essere completata più rapidamente importando un file di configurazione dell'hardware.

Per informazioni sull'esportazione dei file di configurazione dell'hardware, consultare il manuale per l'utente.

Per importare un file di configurazione dell'hardware:

1. Andare a **Setup > Hardware Configuration (Configurazione > Configurazione hardware)**.
2. Fare clic sul pulsante **Import hardware configuration (Importa configurazione hardware)** o, se esiste una configurazione, **Reset and import hardware configuration (Reimposta e importa configurazione hardware)**.
3. Dalla finestra di visualizzazione dei file che viene visualizzata, individuare e selezionare il file di configurazione dell'hardware (*.json) sul computer.
4. Fare clic su **OK (OK)**.

IT

Connessione dell'hardware

Per connettere l'hardware:

1. Se necessario, rimuovere la vite dal coperchio, inserire un cacciavite a taglio nella fessura di rimozione del coperchio e rimuovere il coperchio.
2. Collegare il dispositivo Axis alla rete e attendere l'attivazione del collegamento di rete e l'accensione del dispositivo. Se il dispositivo non riceve alimentazione tramite Power over Ethernet ma utilizza invece Ethernet e una sorgente di alimentazione esterna, collegare il dispositivo anche a una sorgente di alimentazione limitata (LPS) compatibile con una bassissima tensione di sicurezza (SELV). Per ulteriori informazioni sul connettore di alimentazione (ingresso CC), consultare *Dati tecnici alla pagina 142*.

Creazione di una nuova configurazione dell'hardware

Attenersi alla seguente procedura a seconda delle esigenze:

- *Modalità di creazione di una nuova configurazione hardware senza periferiche alla pagina 166*
- *Come creare una nuova configurazione hardware per i blocchi wireless alla pagina 166*

- *Modalità di creazione di una nuova configurazione hardware tramite il controllo ascensore (AXIS A9188) alla pagina 166*

Modalità di creazione di una nuova configurazione hardware senza periferiche

1. Andare a **Setup > Hardware Configuration (Configurazione > Configurazione hardware)** e fare clic sul pulsante **Start new hardware configuration (Avvia nuova configurazione hardware)**.
2. Immettere un nome per il dispositivo Axis.
3. Selezionare il numero di porte collegate e fare clic su **Next (Avanti)**.
4. Fare clic su **Close (Chiudi)** oppure sul collegamento per visualizzare lo schema dei pin hardware.

Come creare una nuova configurazione hardware per i blocchi wireless

1. Andare a **Setup > Hardware Configuration (Configurazione > Configurazione hardware)** e fare clic sul pulsante **Start new hardware configuration (Avvia nuova configurazione hardware)**.
2. Immettere un nome per il dispositivo Axis.
3. Nell'elenco delle periferiche, selezionare un produttore per un gateway wireless.
4. In base al produttore della serratura, procedere in base a uno dei punti riportati di seguito:
 - **ASSA Aperio**: Fare clic sul collegamento per visualizzare lo schema dei pin hardware oppure fare clic su **Close (Chiudi)** e andare in **Setup > Hardware Reconfiguration (Configurazione > Riconfigurazione hardware)**, per completare la configurazione consultare *Aggiunta di dispositivi e porte Assa Aperio™ alla pagina 167*
 - **SmartIntego**: Fare clic sul collegamento per visualizzare lo schema dei pin hardware oppure fare clic su **Click here to select wireless gateway and configure doors (Fai clic qui per selezionare il gateway wireless e configurare le porte)**, per completare la configurazione consultare *Modalità di configurazione di SmartIntego alla pagina 168*.

Modalità di creazione di una nuova configurazione hardware tramite il controllo ascensore (AXIS A9188)

Importante

Prima di creare una configurazione HW è necessario aggiungere un utente in AXIS A9188 Network I/O Relay Module. Andare all'interfaccia Web A9188 > **Preferences > Additional device configuration > Basic setup > Users > Add > User setup (Preferenze > Configurazione dispositivo aggiuntivo > Configurazione di base > Utenti > Aggiungi > Configurazione utente)**.

Nota

È possibile configurare un massimo di 2 AXIS 9188 Network I/O Relay Modules per ciascun Axis Network Door Controller

1. In A1001, andare a **Setup > Hardware Configuration (Configurazione > Configurazione hardware)** e fare clic sul pulsante **Start new hardware configuration (Avvia nuova configurazione hardware)**.
2. Immettere un nome per il dispositivo Axis.
3. Nell'elenco delle periferiche, selezionare **Elevator control (Controllo ascensore)** per includere un **AXIS A9188 Network I/O Relay Module** e fare clic su **Next (Avanti)**.
4. Immettere un nome per il lettore connesso.
5. Selezionare il protocollo del lettore che verrà utilizzato e fare clic su **Finish (Fine)**.
6. Fare clic su **Network Peripherals (Periferiche di rete)** per completare la configurazione; consultare oppure fare clic sul collegamento per passare allo schema dei pin hardware.

Aggiunta di dispositivi e porte Assa Aperiio™

IT

Prima di aggiungere una porta wireless al sistema è necessario associarla all'hub di comunicazione Assa Aperiio collegato, utilizzando Aperiio PAP (lo strumento di applicazione di programmazione di Aperiio).

Per aggiungere una porta wireless:

1. Selezionare **Setup (Configurazione) > Hardware Reconfiguration (Riconfigurazione hardware)**.
2. In **Wireless Doors and Devices (Dispositivi e porte wireless)** fare clic su **Add door (Aggiungi porta)**.
3. Nel campo **Door name (Nome porta)**: immettere un nome descrittivo.
4. Nel campo **ID in Lock (Serratura)**: immettere l'indirizzo composto da sei caratteri del dispositivo che si desidera aggiungere. L'indirizzo del dispositivo è stampato sull'etichetta del dispositivo.
5. Facoltativamente, in **Sensore di posizione delle porte**: Selezionare **Built in door position sensor (Sensore di posizione delle porte incorporato)** o **External door position sensor (Sensore di posizione delle porte esterno)**.

Nota

Se si utilizza un sensore di posizione delle porte esterno (DPS) assicurarsi che il dispositivo di blocco Aperiio includa il supporto per la gestione del rilevamento dello stato prima di configurarlo.

6. Facoltativamente, nel campo **ID in Sensore di posizione delle porte**: immettere l'indirizzo composto da sei caratteri del dispositivo che si desidera aggiungere. L'indirizzo del dispositivo è stampato sull'etichetta del dispositivo.
7. Fare clic su **Add (Aggiungi)**.

Prerequisiti SmartIntego

I seguenti prerequisiti devono essere soddisfatti prima di procedere con la configurazione SmartIntego:

- Deve essere creato un file csv. Il file csv contiene informazioni sul GatewayNode e le porte utilizzate nella soluzione SmartIntego. Il file viene creato in un software indipendente fornito da un partner SimonsVoss.
- La configurazione hardware di SmartIntego è stata eseguita, vedere *Come creare una nuova configurazione hardware per i blocchi wireless alla pagina 166*.

Nota

- È necessario disporre della versione 2.1.6452.23485, build 2.1.6452.23485 (31/08/2017 13:02:50) o successive dello strumento di configurazione SmartIntego.
- Lo standard AES (Advanced Encryption Standard) non è supportato per SmartIntego e deve pertanto essere disabilitato nello strumento di configurazione SmartIntego.

Modalità di configurazione di SmartIntego

Nota

- Verificare di aver soddisfatto i prerequisiti elencati.
 - Per una migliore visibilità dello stato della batteria, andare a **Setup (Configurazione) > Configure event and alarms logs (Configura registri allarmi ed eventi)**, quindi aggiungere **Door – Battery alarm (Porta: allarme batteria)** o **IdPoint – Battery alarm (IdPoint: allarme batteria)** come allarme.
 - Le impostazioni dei monitor delle porte derivano dal file CSV. Non è necessario modificare questa impostazione in una normale installazione.
1. Fai clic sul pulsante **Browse...(Sfoglia...)**, selezionare il file csv e fare clic su **Upload file (Carica file)**.
 2. Selezionare un GatewayNode e fare clic su **Avanti**.
 3. Viene visualizzata un'anteprima della nuova configurazione. Disattivare i monitor delle porte se necessario.
 4. Fare clic sul pulsante **Configure (Configura)**.
 5. Viene visualizzata una panoramica delle porte incluse nella configurazione. Fare clic su **Settings (Impostazioni)** per configurare ogni porta singolarmente.

Ripristino delle impostazioni predefinite di fabbrica

Importante

Il ripristino dei valori predefiniti di fabbrica deve essere utilizzato con cautela. Tale operazione consentirà di ripristinare i valori predefiniti di fabbrica per tutte le impostazioni, incluso l'indirizzo IP.

Per ripristinare il dispositivo ai valori predefiniti di fabbrica:

1. Scollegare l'alimentazione dal dispositivo.
2. Tenere premuto il pulsante di comando quando si ricollega l'alimentazione. Consultare .

3. Tenere premuto il pulsante di comando per 25 secondi finché l'indicatore LED di stato non emette nuovamente una luce gialla.
4. Rilasciare il pulsante di comando. Il processo è completo quando l'indicatore del LED di stato diventerà verde. Il dispositivo è stato reimpostato alle impostazioni di fabbrica predefinite. Se nessun server DHCP è disponibile in rete, l'indirizzo IP predefinito è 192.168.0.90
5. Utilizzare gli strumenti per l'installazione e la gestione del software per assegnare un indirizzo IP, impostare la password e accedere al dispositivo.

È anche possibile reimpostare i parametri ai valori predefiniti di fabbrica mediante l'interfaccia Web. Andare a **Setup > Additional Controller Configuration > Setup > System Options > Maintenance** (Configurazione > Configurazione controllo aggiuntivo > Configurazione > Opzioni di sistema > Manutenzione) e fare clic su **Default (Predefinito)**.

IT

Istruzioni per la manutenzione

Per tenere il sistema di controllo degli accessi in buono stato di funzionamento, Axis ne consiglia la regolare manutenzione, che deve includere door controller e dispositivi collegati.

Effettuare la manutenzione almeno una volta all'anno. Le procedure di manutenzione consigliate, includono, a titolo esemplificativo, i passaggi seguenti:

- Verificare che tutti i collegamenti tra il door controller e i dispositivi esterni siano ben saldi.
- Verificare tutti i collegamenti hardware. A tale scopo è necessario accedere alle pagine Web del prodotto. Per ulteriori informazioni, consultare il Manuale Utente.
- Verificare che il sistema, inclusi i dispositivi esterni collegati, funzioni correttamente.
 - Passare una tessera e testare i lettori, le porte e le serrature.
 - Se nel sistema sono inclusi dispositivi REX, sensori o altri dispositivi, testare anche quelli.
 - Se attivati, testare gli allarmi anti-manomissione.

Se i risultati di qualsiasi passaggio precedente indicano problemi o comportamenti imprevisti:

- Testare i segnali dei cavi con attrezzatura appropriata e controllare se i cavi sono in qualche modo danneggiati.
- Sostituire tutti i cavi danneggiati o difettosi.
- Dopo aver sostituito i cavi, verificare nuovamente tutti i collegamenti hardware. A tale scopo è necessario accedere alle pagine Web del prodotto. Per ulteriori informazioni, consultare il Manuale Utente.
- Verificare che tutte le pianificazioni accessi, le porte, i gruppi e gli utenti siano aggiornati. A tale scopo è necessario accedere alle pagine Web del prodotto. Per ulteriori informazioni, consultare il Manuale Utente.

AXIS A1001 Network Door Controller

- Se il door controller funziona in modo non previsto, consultare il Manuale Utente per informazioni sulla risoluzione dei problemi e sulle funzioni di manutenzione integrate nel prodotto.

Per informazioni sulla manutenzione della batteria, consultare e *Batteria alla pagina 133*.

Ulteriori Informazioni

- Per la versione più recente di questo documento, visitare il sito all'indirizzo *axis.com*
- Il manuale per l'utente è disponibile all'indirizzo *axis.com*
- Per verificare se sono stati pubblicati aggiornamenti del firmware per il proprio dispositivo, vedere *axis.com/support*
- Per servizi di formazione utili e webinar, visita il sito *axis.com/academy*

Informazioni sulla garanzia

Per informazioni sulla garanzia del dispositivo Axis e informazioni ad esso relative, consultare la pagina *axis.com/warranty/*

Instrucciones de seguridad

▲ADVERTENCIA

El producto de Axis debe instalarlo un profesional formado conforme las leyes y normativas locales.

AVISO

- Este producto de Axis debe utilizarse de conformidad con las leyes y normativas locales.
- Axis recomienda utilizar un cable de red blindado (STP).
- Axis recomienda utilizar un cable de red de categoría CAT5e o superior.
- Para usar el producto de Axis en exteriores, o en entornos similares, debe instalarse en una carcasa exterior aprobada.
- Almacene el producto de Axis en un entorno seco y ventilado.
- Evite la exposición del producto de Axis a choques o a una fuerte presión.
- No instale el producto en postes, soportes, superficies o paredes inestables.
- Utilice solo las herramientas correspondientes cuando instale el producto de Axis. La aplicación de una fuerza excesiva con herramientas eléctricas puede provocar daños en el producto.
- No utilice limpiadores en aerosol, agentes cáusticos ni productos químicos.
- Limpie con un paño limpio humedecido con agua pura.
- Utilice solo accesorios que cumplan con las especificaciones técnicas de su producto. Estos accesorios los puede proporcionar Axis o un tercero. Axis recomienda utilizar un equipo de suministro de alimentación de Axis compatible con su producto.
- Utilice solo piezas de repuesto proporcionadas o recomendadas por Axis.
- No intente reparar el producto usted mismo. Póngase en contacto con el servicio de asistencia técnica de Axis o con su distribuidor de Axis para tratar asuntos de reparación.
- La fuente de alimentación se enchufará a una toma de conector instalada cerca del producto y a la que se podrá acceder fácilmente.
- Use una fuente de alimentación limitada (LPS) con una potencia nominal de salida limitada a ≤ 100 W o una corriente nominal de salida limitada a ≤ 5 A.

Transporte

AVISO

- Cuando transporte el producto de Axis, utilice el embalaje original o un equivalente para evitar daños en el producto.

Batería

Este producto de Axis utiliza una batería de litio CR2032 de 3,0 V como fuente de alimentación del reloj interno en tiempo real. En condiciones normales, esta batería durará un mínimo de cinco años.

Un nivel bajo de batería afectará al funcionamiento del reloj en tiempo real, lo que provocará el restablecimiento de este cada vez que se encienda el producto. Cuando sea necesario sustituir la batería, aparecerá un mensaje de registro en el informe del servidor del producto. Para obtener más información sobre el informe del servidor, consulte la página web del producto o póngase en contacto con el soporte técnico de Axis.

Las pilas de botón de litio de 3,0 V contienen 1,2-dimetoxietano; éter dimetilico de etilenglicol (EGDME), n.º CAS 110-71-4.

⚠ADVERTENCIA

- La sustitución incorrecta de la batería implica riesgo de explosión.
- La batería solo debe sustituirse por una batería idéntica.
- Las baterías usadas deben desecharse de conformidad con la normativa local o las instrucciones del fabricante.

Guía de instalación - Referencia completa

Esta guía de instalación es la fuente de referencia completa e incluye las instrucciones necesarias para instalar el controlador de accesos en red AXIS A1001 en su red.

- Si desea consultar una guía de referencia rápida, vea la **Guía de instalación – Referencia rápida** impresa de **AXIS A1001** incluida en el contenido del paquete. Esta guía de referencia rápida también está disponible en www.axis.com
- Para conocer otros aspectos de uso del producto, consulte el **Manual del usuario del AXIS A1001**, disponible en www.axis.com.

Pasos de la instalación

1. Asegúrese de que dispone del contenido del paquete, las herramientas y los demás materiales necesarios para la instalación. Vea *página 175*.
2. Estudie la información general del hardware. Vea *página 176*.
3. Estudie las especificaciones. Vea *página 182*.
4. Instale el hardware. Vea *página 193*.
5. Acceda al producto. Vea .

ES

Contenido del paquete

- Controlador de accesos en red AXIS A1001
- Abrazadera de cable (4x)
- Tornillo de la cubierta
- Conector con enchufe de 6 pines (5x) (enchufado en los conectores del terminal)
 - Lector de E/S (azul)
 - Lector de E/S (rojo)
 - Datos del lector (blanco)
 - Datos del lector (amarillo)
 - Alimentación y relé (naranja)
- Conector con enchufe de 4 pines (5x) (enchufado en los conectores del terminal)
 - Audio (blanco)
 - Auxiliar (amarillo)
 - Entrada de puerta (azul)
 - Entrada de puerta (rojo)
 - Alimentación cerradura (naranja)
- Conector con enchufe de 2 pines (enchufado en el conector del terminal)
 - Alimentación (negro)

AXIS A1001 Network Door Controller

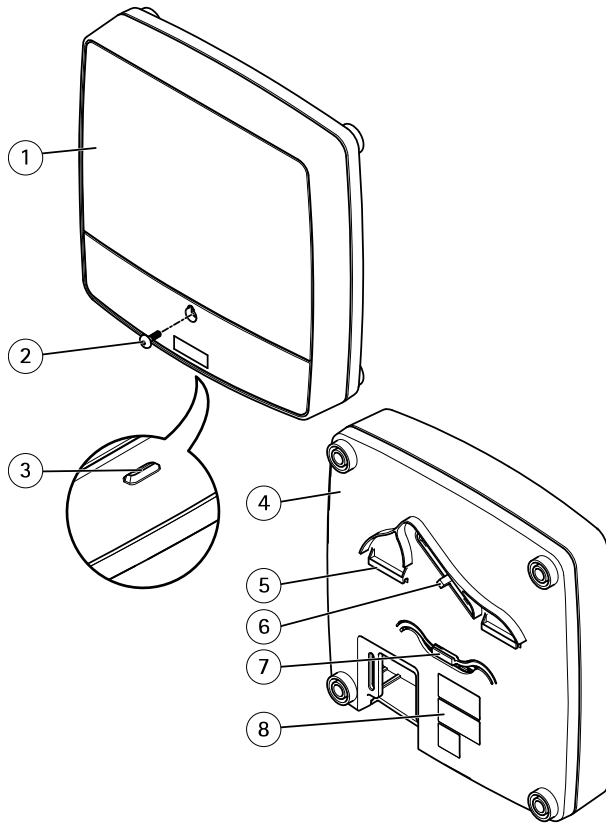
- Materiales impresos
 - Guía de instalación del AXIS A1001 - Referencia rápida
 - Etiquetas adicionales con el número de serie (x2)
 - Clave de autenticación AVHS

Herramientas recomendadas

- Taladro: para realizar el montaje en pared o techo
- Destornillador: para realizar el montaje en pared o techo
- Destornillador plano: para abrir la cubierta
- Destornillador Torx (T10): para apretar el tornillo de la cubierta
- Pelacables

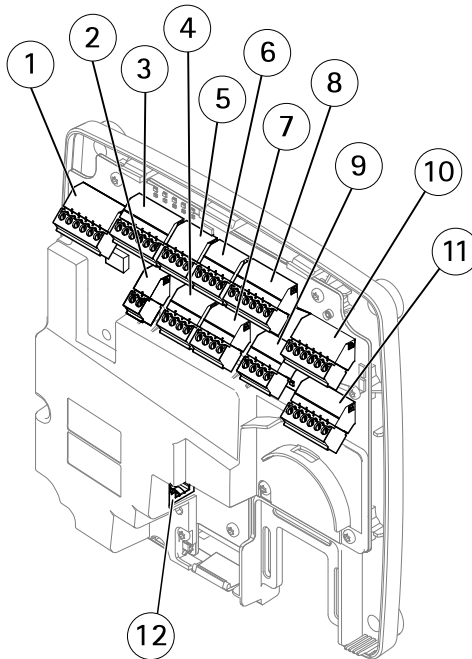
Información general del hardware

Para conocer las especificaciones de los componentes del hardware, vea .



Parte delantera y trasera:

- 1 Cubierta
- 2 Tornillo de la cubierta
- 3 Ranura de desmontaje de la cubierta
- 4 Base
- 5 Clip DIN (superior)
- 6 Interruptor de alarma antimanipulación (posterior)
- 7 Clip DIN (inferior)
- 8 Número de pieza (N/P) y número de serie (N/S)



Interfaz de E/S:

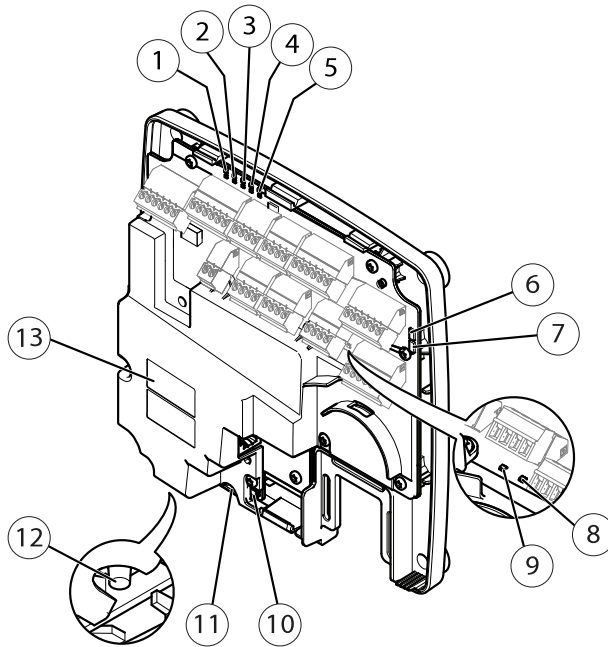
- 1 Conector de datos del lector (READER DATA 1)
- 10 Conector de datos del lector (READER DATA 2)
- 3 Conector de E/S del lector (READER I/O 1)
- 8 Conector de E/S del lector (READER I/O 2)
- 4 Conector de puerta (DOOR IN 1)
- 7 Conector de puerta (DOOR IN 2)
- 6 Conector auxiliar (AUX)
- 5 Conector de audio (AUDIO) (no se usa)

Entradas de alimentación externa:

- 2 Conector de alimentación (DC IN)
- 12 Conector de red (PoE)

Salidas de alimentación:

- 9 Conector de alimentación cerradura (LOCK)
- 11 Conector de alimentación y relé (PWR, RELAY)



Indicadores LED, botones y otro hardware:

- 1 *Indicador LED de alimentación*
- 2 *Indicador LED de estado*
- 3 *Indicador LED de red*
- 4 *Indicador LED 2 del lector (no se usa)*
- 5 *Indicador LED 1 del lector (no se usa)*
- 6 *Cabezal con pines de la alarma antimanipulación (delantero) (TF)*
- 7 *Cabezal con pines de la alarma antimanipulación (trasero) (TB)*
- 8 *Indicador LED de cerradura*
- 9 *Indicador LED de cerradura*
- 10 *Sensor de la alarma antimanipulación (delantero)*
- 11 *Ranura para tarjetas SD (microSDHC) (no se usa)*
- 12 *Botón de control*
- 13 *Número de pieza (N/P) y número de serie (N/S)*

AXIS A1001 Network Door Controller

LED Indicators

LED	Color	Indication
Network	Green	Steady for connection to a 100 MBit/s network. Flashes for network activity.
	Amber	Steady for connection to a 10 MBit/s network. Flashes for network activity.
	Unlit	No network connection.
Status	Green	Steady green for normal operation.
	Amber	Steady during startup and when restoring settings.
	Red	Slow flash for failed upgrade.
Power	Green	Normal operation.
	Amber	Flashes green/amber during firmware upgrade.
Lock	Green	Steady when not energized.
	Red	Steady when energized.
	Unlit	Floating.

Nota

- The Status LED can be configured to flash while an event is active.
- The Status LED can be configured to flash for identifying the unit. Go to **Setup > Additional Controller Configuration > System Options > Maintenance** .

Conectores y botones

Para conocer las especificaciones y las condiciones de funcionamiento, consulte *página 182*.

Interfaz de E/S

Conectores de datos del lector

Dos bloques de terminales de 6 pines compatibles con los protocolos RS485 y Wiegand para la comunicación con el lector. Para conocer las especificaciones, consulte *página 184*.

Conectores de E/S del lector

Dos bloques de terminales de 6 pines para entrada y salida del lector. Además del punto de referencia de 0 V CC y la alimentación (salida de CC), el conector de E/S del lector ofrece la interfaz para:

- Entrada digital: para conectar, por ejemplo, alarmas antimanipulación del lector.
- Salida digital: para conectar, por ejemplo, avisadores y LED del lector.

Para conocer las especificaciones, consulte *página 185*.

Conectores de puerta

Dos bloques terminales de 4 pines para conectar dispositivos de monitor de puerta y solicitud para dispositivos de salida (REX). Para conocer las especificaciones, consulte *página 186*.

Conector auxiliar

Bloque de terminales de E/S configurable de 4 pines. Se utiliza con dispositivos externos combinados, por ejemplo, con alarmas antimanipulación, activación de eventos y notificaciones de alarma. Además del punto de referencia de 0 V CC y la alimentación (salida de CC), el conector auxiliar ofrece la interfaz para:

- Entrada digital: una entrada de alarma para conectar dispositivos que puedan alternar entre circuitos cerrados y abiertos, por ejemplo, sensores PIR o detectores de cristales rotos.
- Salida digital: para conectar dispositivos externos como luces, sirenas o alarmas antirrobo. Los dispositivos conectados pueden activarse mediante la interfaz de programación de aplicaciones VAPIX® o mediante una regla de acción.

Para conocer las especificaciones, consulte *página 187*.

Entradas de alimentación externa

AVISO

El producto se conectará mediante un cable de red blindado (STP). Todos los cables que conecten el producto a la red deberán estar blindados para su uso específico. Asegúrese de que los dispositivos de red estén instalados de conformidad con las instrucciones del fabricante. Para obtener información sobre los requisitos normativos, consulte *Electromagnetic compatibility (EMC) on page 4*.

Conector de alimentación

Bloque de terminales de 2 pines para la entrada de alimentación de CC. Use una fuente de alimentación limitada (LPS) que cumpla los requisitos de tensión muy baja de seguridad (SELV) con una potencia nominal de salida limitada a ≤ 100 W o una corriente nominal de salida limitada a ≤ 5 A. Para conocer las especificaciones, consulte *página 188*.

Conector de red

Conector Ethernet RJ45. Admite alimentación a través de Ethernet (PoE). Para conocer las especificaciones, consulte *página 188*.

Salidas de alimentación

Conector de alimentación cerradura

Bloque de terminales de 4 pines para conectar una o dos cerraduras. Este conector de cerradura también podría usarse para proporcionar alimentación a dispositivos externos. Para conocer las especificaciones, consulte *página 189*.

AXIS A1001 Network Door Controller

Conector de alimentación y relé

Bloque de terminales de 6 pines para conectar el relé del controlador de puerta y de alimentación a dispositivos externos como cerraduras y sensores. Para conocer las especificaciones, consulte *página 189*.

Botones y otro hardware

Cabezal con pines de la alarma antimanipulación Dos cabezales de dos pines para desconectar las alarmas antimanipulación delantera y trasera. Para conocer las especificaciones, consulte *página 190*.

Botón de control El botón de control se utiliza para lo siguiente:

- Restablecer el producto a la configuración predeterminada de fábrica. Consulte *página 211*.
- Conectarse a un servicio AXIS Video Hosting System o al Servicio de DNS dinámico de Internet de AXIS. Para obtener más información sobre estos servicios, consulte el Manual del usuario.

Especificaciones

Condiciones de funcionamiento

El producto de Axis se ha creado para su uso en interiores.

Clasificación	Temperatura	Humedad
IEC 60721-4-3 Clase 3K3, 3M3	Desde 0 °C hasta 50 °C (desde 32 °F hasta 122 °F)	Humedad relativa del 20 al 85 % (sin condensación)

Consumo

AVISO

Use una fuente de alimentación limitada (LPS) que cumpla los requisitos de tensión muy baja de seguridad (SELV) con una potencia nominal de salida limitada a ≤ 100 W o una corriente nominal de salida limitada a ≤ 5 A.

Fuente de alimentación	Carga máxima en las salidas
Alimentación a través de Ethernet IEEE 802.3af/ 802.3at Tipo 1 Clase 3, 44–57 V CC	7,5 W
10–30 V CC, máx. 26 W	14 W

Conversión de salida de alimentación (de W a A)

Si el dispositivo que se conecta al producto de Axis solo tiene clasificación para amperios (A), se puede utilizar el siguiente método para la conversión a vatios (W).

La carga de salida máxima total del producto de Axis depende de la fuente de alimentación:

Fuente de alimentación	Carga máxima total en las salidas
Alimentación a través de Ethernet IEEE 802.3af/ 802.3at Tipo 1 Clase 3	7,5 W
10–30 V CC	14 W

La tensión en las salidas de alimentación del producto de Axis es de 12 V CC (excepto en el conector auxiliar, donde la tensión es de 3,3 V CC) Si el dispositivo que va a conectar tiene un amperaje máximo de, por ejemplo, 0,3 A, la siguiente fórmula le permite convertir la alimentación a vatios (W):

$$\text{Alimentación (W)} = \text{Tensión (V)} \times \text{Corriente (I)}$$

$$\text{Alimentación} = 12 \times 0,3 = 3,6 \text{ W}$$

La siguiente tabla muestra la alimentación disponible después de conectar el dispositivo de 0,3 A del ejemplo.

Fuente de alimentación	Potencia disponible
Alimentación a través de Ethernet IEEE 802.3af/ 802.3at Tipo 1 Clase 3	$7,5 - 3,6 = 3,9 \text{ W}$
10–30 V CC	$14 - 3,6 = 10,4 \text{ W}$

Las salidas de CC en los siguientes conectores se consideran salidas de alimentación: '

- Conector de alimentación cerradura
- Conector de alimentación y relé
- Conector de E/S del lector
- Conector auxiliar

AVISO

La salida de alimentación del conector auxiliar tiene una tensión nominal de 3,3 V CC.

Para conocer las especificaciones del conector, consulte *Conector de alimentación en la página 188* y *Conector de red en la página 188*.

AXIS A1001 Network Door Controller

Niveles de rendimiento para control de acceso

Esta sección contiene información sobre el nivel de rendimiento necesario para lograr la conformidad con UL 294.

Función	Nivel
Prueba de ataques destructivos	I
Seguridad de línea	I
Resistencia	IV
Alimentación en reposo	I

Área de los cables

AVISO

Cada cable debe tener un área transversal de conductor que se corresponda con un rango de calibre de conductor de AWG 28-16 (CSA) o AWG 22-14 (cUL/UL). Elija cables que cumplan la normativa local aplicable.

AWG	Diámetro mm (pulg.)	Área mm ²
28-16	0.321-1.29 (0.0126-0.0508)	0.0810-1.31
22-14	0.644-1.63 (0.0253-0.0641)	0.326-2.08

Conectores

Para obtener más información sobre las posiciones de los conectores, consulte *Información general del hardware en la página 176*.

Para ver los diagramas de conexión y obtener información sobre el gráfico de pines del hardware generado mediante la configuración de hardware, consulte *Diagramas de conexión en la página 191* y *Configuración del hardware en la página 206*.

En la siguiente sección, se describen las especificaciones técnicas de los conectores.

Conector de datos del lector

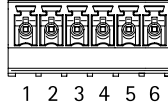
Bloque de terminales de 6 pines compatibles con los protocolos RS485 y Wiegand para la comunicación con el lector.

Los puertos RS485 admiten:

- Semidúplex RS485 de dos cables
- Dúplex completo RS485 de cuatro cables

Los puertos Wiegand admiten:

- Wiegand de dos cables



Función		Pin	Notas
RS485	A-	1	Para dúplex completo RS485 Para semidúplex RS485
	B+	2	
RS485	A-	3	Para dúplex completo RS485 Para semidúplex RS485
	B+	4	
Wiegand	D0 (datos 0)	5	Para Wiegand
	D1 (datos 1)	6	

ES

Importante

Los puertos RS485 tienen una tasa de transmisión fija de 9600 bit/s.

Importante

La longitud de cable máxima recomendada es 30 m.

Importante

Los circuitos de salida de esta sección son de alimentación limitada de Clase 2.

Conector de E/S del lector

Bloque de terminales de 6 pines para:

- Alimentación auxiliar (salida de CC)
- Entrada digital
- Salida digital
- 0 V CC (-)

Los 3 pines de los conectores de E/S del lector se pueden supervisar. Si se interrumpe la conexión, se activa un evento. Para usar entradas supervisadas, instale las resistencias de final de línea. Use el diagrama de conexión para las entradas supervisadas. Consulte *página 192*.

AXIS A1001 Network Door Controller



Función	Pin	Notas	Especificaciones
0 V CC (-)	1		0 V CC
Salida de CC	2	Para alimentar el equipo auxiliar. Nota: Este pin solo se puede utilizar como salida.	12 V CC Carga máx. = 300 mA
Configurable (entrada o salida)	3-6	Entrada digital: conéctela al pin 1 para activarla o bien déjela suelta (desconectada) para desactivarla.	0 a 40 V CC máx.
		Salida digital: conéctela al pin 1 para activarla o bien déjela suelta (desconectada) para desactivarla. Si se utiliza con una carga inductiva (por ejemplo, un relé), debe conectarse un diodo en paralelo a la carga como protección ante transitorios de tensión.	De 0 a 40 V CC máx., drenaje abierto, 100 mA

Importante

La longitud de cable máxima recomendada es 30 m.

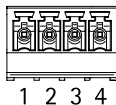
Importante

Los circuitos de salida de esta sección son de alimentación limitada de Clase 2.

Conector de puerta

Dos bloques de terminales de 4 pines para dispositivos de monitor de puerta (entrada digital).

Todos los pines de entrada de las puertas se pueden supervisar. Si se interrumpe la conexión, se activa una alarma. Para usar entradas supervisadas, instale las resistencias de final de línea. Use el diagrama de conexión para las entradas supervisadas. Consulte *página 192*.



Función	Pin	Notas	Especificaciones
0 V CC (-)	1, 3		0 V CC
Entrada	2, 4	Para comunicarse con el monitor de puerta. Entrada digital: conecte con el pin 1 o 3 respectivamente para activar o dejar suelta (desconectada) para desactivar. Nota: Este pin solo se puede utilizar como entrada.	0 a 40 V CC máx.

Importante

La longitud de cable máxima recomendada es 30 m.

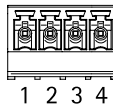
Conector auxiliar

ES

Bloque de terminales de E/S configurable de 4 pines para:

- Alimentación auxiliar (salida de CC)
- Entrada digital
- Salida digital
- 0 V CC (-)

Para ver un ejemplo del diagrama de conexiones, consulte *Diagramas de conexión en la página 191*.



Función	Pin	Notas	Especificaciones
0 V CC (-)	1		0 V CC
Salida de CC	2	Para conectar el equipo auxiliar. Nota: Este pin solo se puede utilizar como salida.	3,3 V CC Carga máx. = 100 mA

AXIS A1001 Network Door Controller

Configurable (entrada o salida)	3-4	Entrada digital: conéctela al pin 1 para activarla o bien déjela suelta (desconectada) para desactivarla.	0 a 40 V CC máx.
		Salida digital: conéctela al pin 1 para activarla o bien déjela suelta (desconectada) para desactivarla. Si se utiliza con una carga inductiva (por ejemplo, un relé), debe conectarse un diodo en paralelo a la carga como protección ante transitorios de tensión.	De 0 a 40 V CC máx., drenaje abierto, 100 mA

Importante

La longitud de cable máxima recomendada es 30 m.

Importante

Los circuitos de salida de esta sección son de alimentación limitada de Clase 2.

Conector de alimentación

Bloque de terminales de 2 pines para la entrada de alimentación de CC. Use una fuente de alimentación limitada (LPS) que cumpla los requisitos de tensión muy baja de seguridad (SELV) con una potencia nominal de salida limitada a ≤ 100 W o una corriente nominal de salida limitada a ≤ 5 A.



1 2

Función	Pin	Notas	Especificaciones
0 V CC (-)	1		0 V CC
Entrada de CC	2	Para alimentar el controlador cuando no se use la alimentación a través de Ethernet. Nota: Este pin solo se puede utilizar como entrada.	10-30 V CC, máx. 26 W Carga máxima en las salidas = 14 W

Conector de red

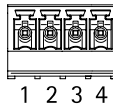
Conector Ethernet RJ45. Use cables de categoría 5e o superior.

Función	Especificaciones
Alimentación y Ethernet	Alimentación a través de Ethernet IEEE 802.3af802.3at Tipo 1 Clase 3, 44–57 V CC Carga máxima en las salidas = 7,5 W

Conector de alimentación cerradura

Bloque de terminales de 4 pines para proporcionar alimentación a una o dos cerraduras (salida de CC). Este conector de bloqueo también podría usarse para proporcionar alimentación a dispositivos externos.

Conecte los bloqueos y las cargas a los pines según el gráfico de pines del hardware generado mediante la configuración de hardware.



ES

Función	Pin	Notas	Especificaciones
0 V CC (-)	1, 3		0 V CC
0 V CC, suelto o 12 V CC	2, 4	Para controlar hasta dos bloqueos de 12 V. Uso del gráfico de pines del hardware. Consulte <i>Configuración del hardware en la página 206</i> .	12 V CC Carga máx. total = 500 mA

AVISO

Si la cerradura no está polarizada, le recomendamos agregar un diodo de regreso externo.

Importante

Los circuitos de salida de esta sección son de alimentación limitada de clase 2.

Conector de alimentación y relé

Bloque de terminales de 6 pines con relé integrado para:

- Dispositivos externos
- Alimentación auxiliar (salida de CC)
- 0 V CC (-)

Conecte las cerraduras y las cargas a los pines según el gráfico de pines del hardware generado mediante la configuración de hardware.

AXIS A1001 Network Door Controller



Función	Pin	Notas	Especificaciones
0 V CC (-)	1, 4		0 V CC
Relé	2-3	Para conectar dispositivos de relés. Uso del gráfico de pines del hardware. Consulte <i>Configuración del hardware en la página 206</i> . Los dos pines de relé están separados de forma galvanizada del resto del circuito.	Corriente máxima = 700 mA Tensión máxima = +30 V CC
12 V CC	5	Para alimentar el equipo auxiliar. Nota: Este pin solo se puede utilizar como salida de alimentación.	Tensión máxima = +12 V CC Carga máxima = 500 mA
24 V CC	6	No se utiliza	

AVISO

Si la cerradura no está polarizada, le recomendamos agregar un diodo de regreso externo.

Importante

Los circuitos de salida de esta sección son de alimentación limitada de clase 2.

Cabezal con pines de la alarma antimanipulación

Dos cabezales con dos pines para funciones de bypass:

- Alarma antimanipulación posterior (TB)
- Alarma antimanipulación delantera (TF)



Función	Pin	Notas
Alarma antimanipulación posterior	1-2	Para hacer el bypass simultáneamente a las alarmas antimanipulación delantera y trasera, coloque puentes entre TB 1, TB 2 y TF 1, TF 2, respectivamente. Al aplicar un bypass a las alarmas antimanipulación, el sistema no identificará ningún intento de manipulación.
Alarma antimanipulación delantera	1-2	

Nota

Las alarmas antimanipulación delantera y la trasera están conectadas de forma predeterminada. El activador de carcasa abierta se puede configurar para que realice una acción si el controlador de puerta está abierto o si se ha retirado de la pared o el techo. Para obtener más información sobre cómo configurar alarmas y eventos, consulte el manual del usuario.

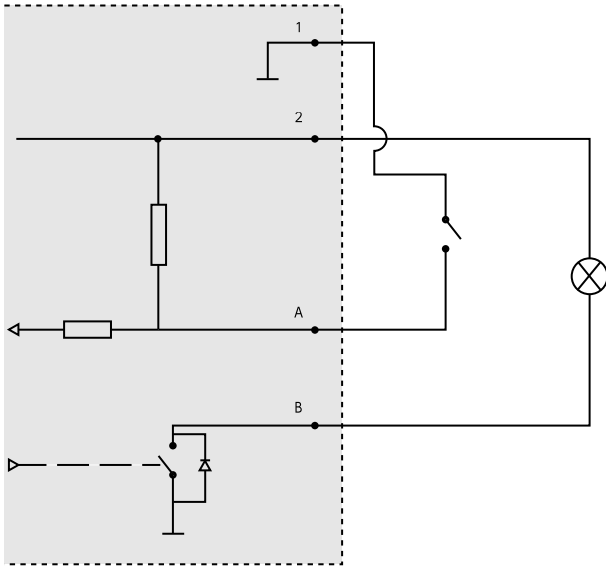
Diagramas de conexión

ES

Conecte los dispositivos según el gráfico de pines del hardware generado mediante la configuración de hardware. Para obtener más información sobre la configuración del hardware y el gráfico de pines del hardware, consulte *Configuración del hardware en la página 206*.

AXIS A1001 Network Door Controller

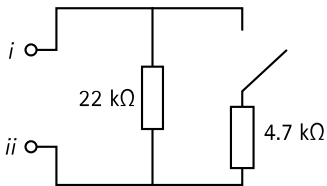
Conector auxiliar



- 1 0 V CC (-)
- 2 Salida de CC: 3,3 V, máx 100 mA
- A E/S configurada como entrada
- B E/S configurada como salida

Entradas supervisadas

Para usar entradas supervisadas, instale resistencias de final de línea según el siguiente diagrama.



- i Entrada
- ii 0 V CC (-)

Nota

Se recomienda el uso de cables trenzados y blindados. Conecte el blindaje a 0 V CC.

Instalación del hardware

⚠ ATENCIÓN

No monte nunca el producto de Axis mientras el dispositivo esté conectado a la alimentación. Conecte siempre la alimentación al final de la instalación.

AVISO

Para proteger los circuitos frente a descargas electrostáticas (ESD), use protección ESD al manipular el producto mientras los componentes y contactos estén expuestos.

Lea todas las instrucciones antes de instalar el producto.

- Para configurar el hardware, consulte *página 206*.
- Para instalar el producto en una pared (opción preferida) o en el techo, consulte *página 194*.
- Para instalar el producto en un raíl DIN, consulte *página 195*.
- Para conectar los cables, consulte *página 196*.

ES

Consideraciones sobre el sistema

El producto de Axis debe instalarse en un área segura.

El producto de Axis, tanto si se instala como controlador de puerta independiente o como parte de un sistema de controladores de puerta, no debería limitar ni debilitar el funcionamiento previsto de los sistemas con los que se conecta.

El producto de Axis debe instalarse en una pared (opción recomendada) o en el techo (con o sin caja de conexiones). También se puede instalar en un carril DIN.

Tamaño del sistema

El producto de Axis puede conectarse a otros controladores de puerta de red AXIS en un grupo de controladores con capacidad para gestionar hasta 66 puertas o dispositivos inalámbricos (dentro del grupo). Cada producto de Axis puede conectarse hasta a dos puertas con cable o a una puerta con cable junto con una puerta de enlace inalámbrica. La cantidad de cierres inalámbricos configurados para cada puerta de salida depende del fabricante.

Nota

- Axis Communications no vende ni distribuye cierres inalámbricos. Para obtener más información y soporte relacionados con los sistemas inalámbricos, póngase en contacto con el socio del fabricante correspondiente.
- El producto de Axis está concebido como independiente y no requiere estar permanentemente conectado a un ordenador para funcionar correctamente. Conectar

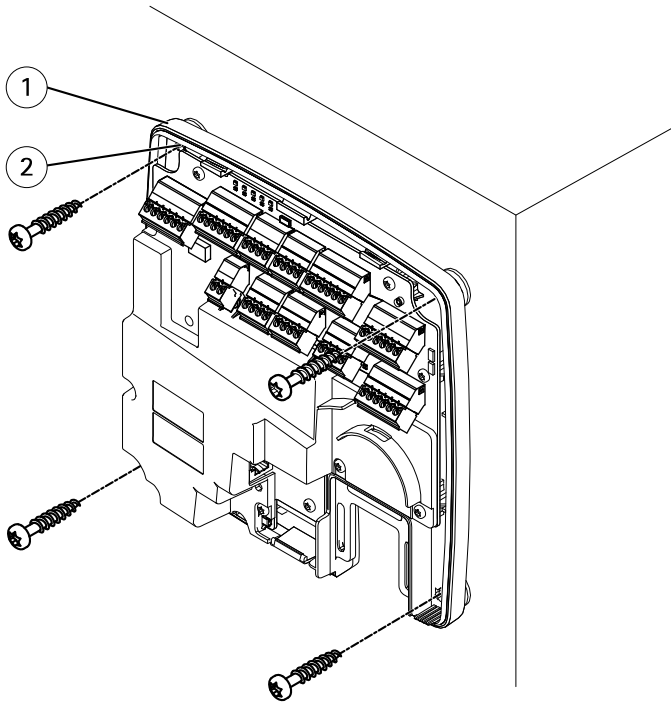
un ordenador sirve únicamente para fines de programación local, descarga y vigilancia complementaria.

Montaje en pared y techo

AVISO

Si está instalando el controlador de puerta en una pared, asegúrese de que la pieza de corte de los cables esté mirando hacia abajo.

1. Si se usa una caja de conexiones, instálela antes de instalar el controlador de accesos en red. Por motivos de conformidad con UL, la caja de conexiones debe figurar en la lista UL.
2. Si procede, quite el tornillo de la cubierta, inserte un destornillador plano en la ranura de extracción de la cubierta y retire la cubierta. Consulte *Información general del hardware en la página 176*.
3. Haga marcas para los orificios para los tornillos en el techo o la pared usando la base como plantilla.
4. Si es necesario, taladre los orificios para los tornillos.
5. Monte la base en la pared o el techo. Asegúrese de que los tornillos y tacos sean adecuados para el material (por ejemplo, madera, metal, placas de yeso, piedra, etc.).

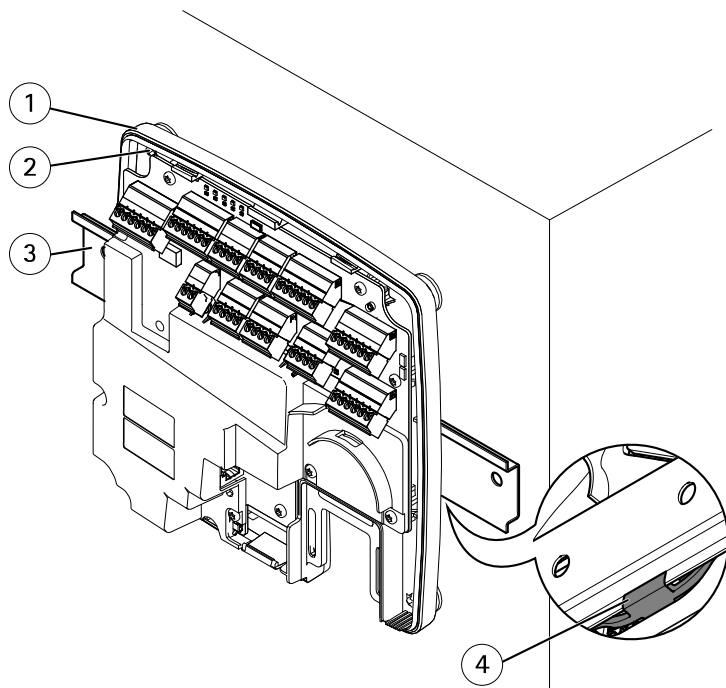


- 1 Base
- 2 Orificio para tornillo (4x)

6. Conecte los cables. Consulte *página 196*.

Montaje en raíl DIN

1. Si procede, se puede instalar un raíl DIN (no incluido).
2. Si procede, quite el tornillo de la cubierta, inserte un destornillador plano en la ranura de extracción de la cubierta y retire la cubierta. Consulte *Información general del hardware en la página 176*.
3. Enganche el clip DIN inferior (que es flexible) en el raíl DIN inferior inclinando la base levemente hacia adelante.
4. Levante la base de forma que el clip DIN inferior alcance la posición más baja.
5. Incline la base hacia atrás de forma que quede paralela con la pared o el techo.
6. Enganche el clip DIN superior (que es flexible) en el raíl DIN superior bajando la base.



- 1 Base
- 2 Orificio para tornillo (4x)
- 3 Rail DIN
- 4 Clip DIN inferior

7. Fije la base utilizando los cuatro tornillos. Asegúrese de que los tornillos y tacos sean adecuados para el material (por ejemplo, madera, metal, placas de yeso, piedra, etc.). Consulte *Montaje en pared y techo en la página 194*.

Nota

Para evitar que la base se curve, procure no apretar los tornillos demasiado. Deje aproximadamente 2,5 mm (0,1 pulg.). Si la base se queda doblada, la cubierta no cerrará.

8. Conecte los cables. Consulte *página 196*.

Conexión de los cables

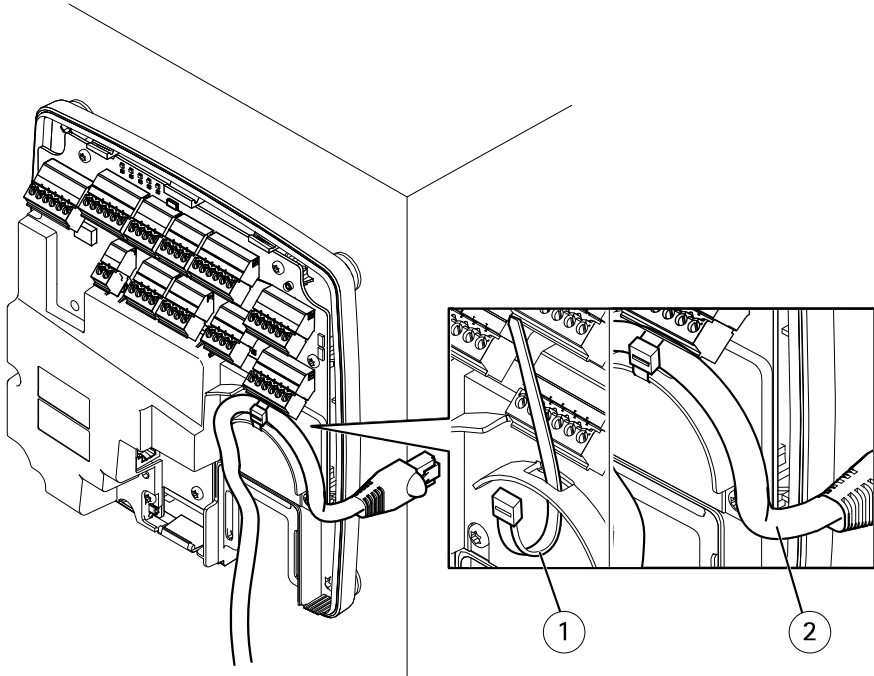
⚠ ATENCIÓN

Desconecte la alimentación antes de conectar cualquier cable al producto de Axis. Nunca efectúe conexiones mientras el dispositivo esté conectado a la alimentación.

AVISO

- El producto se conectará mediante un cable de red blindado (STP). Todos los cables que conecten el producto a la red deberán estar blindados para su uso específico. Asegúrese de que los dispositivos de red estén instalados de conformidad con las instrucciones del fabricante. Para obtener información sobre los requisitos normativos, consulte *Regulatory information on page 4*.
 - Si utiliza alimentación a través de Ethernet, no conecte el cable de red a la red hasta que los demás cables se hayan conectado.
 - Para facilitar el mantenimiento futuro, evitar excesiva tensión en los cables y conectores y evitar daños en el aislamiento del conductor, deje un bucle de servicio y asegúrese de que todos los cables estén correctamente fijados y seguros. Utilice las abrazaderas para cables suministradas.
 - Para proteger los circuitos frente a descargas electrostáticas (ESD), use la protección ESD al conectar cables al producto.
1. Haga un bucle con el cable de red alrededor de la guía de cables y conecte el cable de red al conector de red.
 2. Ajuste el cable de red a la guía de cables usando una de las abrazaderas de cables proporcionadas.

AXIS A1001 Network Door Controller

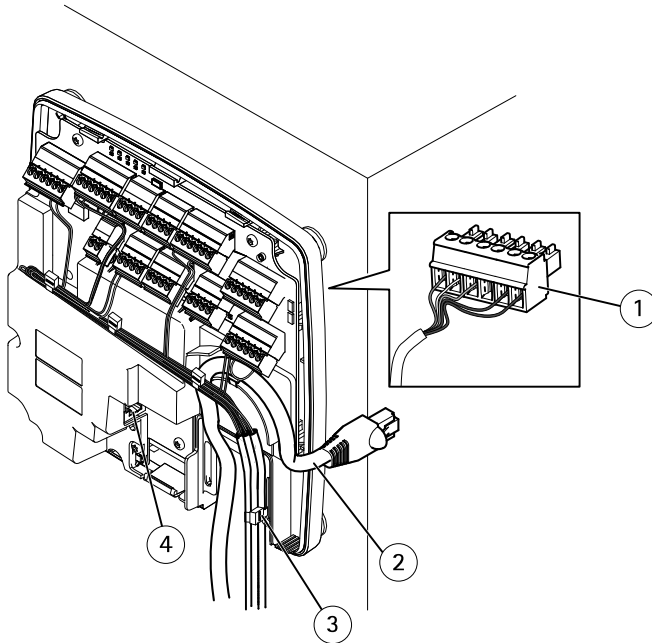


- 1 Abrazadera de cable
2 Cable de red

3. Pele los cables según se requiera con una herramienta de crimpar.
4. Conecte los cables entre el controlador de puerta y las cerraduras, las puertas y otros dispositivos. Para obtener más información sobre los conectores y sus especificaciones, consulte *página 180* y *página 184*.

AVISO

- Asegúrese de que todos los cables estén correctamente conectados. Un cableado incorrecto podría causar daños en el producto.
- Asegúrese de usar cables que se ajusten a los requisitos. Para obtener más información, consulte *Área de los cables en la página 184* y, para la conformidad con UL, *Requirements for Compliance with UL294 6th Edition on page 7*.



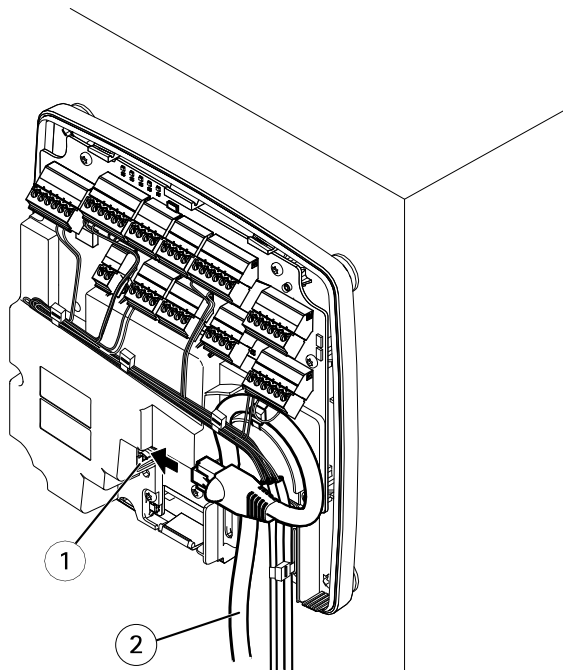
ES

Ejemplo de conexión de cables

- 1 Conector con enchufe de 6 pines
- 2 Cable de red
- 3 Abrazadera de cable (4x)
- 4 Conector de red

Nota

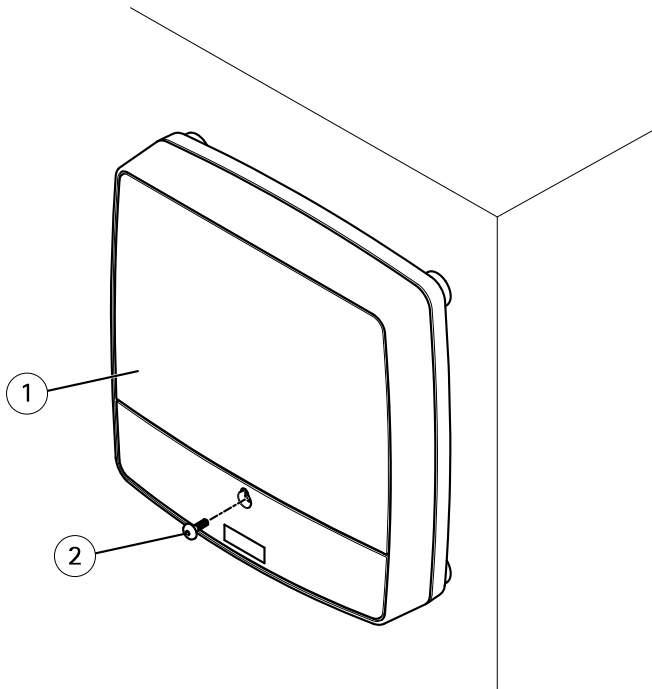
- Para los dispositivos que se hayan configurado mediante las páginas de configuración de hardware del producto, use el gráfico de pines del hardware como guía para saber cómo debe conectar los pines. Para obtener más información sobre la configuración del hardware y el gráfico de pines del hardware, consulte *Configuración del hardware en la página 206*.
 - Para obtener información acerca de cómo conectar otros cables, por ejemplo, los cables de alimentación a las cerraduras, los lectores y otros dispositivos, consulte las instrucciones de los fabricantes.
5. Recoja todos los cables y asegúrelos con las abrazaderas para cables suministradas.
 6. Etiquete los cables para usarlos en otro momento.
 7. Si utiliza alimentación a través de Ethernet, conecte el cable de red a la red.
 8. Si utiliza Ethernet y alimentación externa (10–30 V CC), conecte el cable de red a la red y conecte la alimentación. Use una fuente de alimentación limitada (LPS) compatible con SELV. Para obtener más información, consulte *Conector de alimentación en la página 188*.



Ejemplo de conexión de cables

- 1 Conector de red
- 2 Cable de red

9. Asegúrese de que los indicadores LED indiquen las condiciones correctas. Consulte *LED Indicators en la página 180*.
10. Fije la cubierta a la base y apriete los tornillos de la cubierta.



- 1 Cubierta
- 2 Tornillo de la cubierta (T10)

Acceso al producto

El producto se puede utilizar con la mayoría de los sistemas operativos y exploradores. Los exploradores recomendados son Internet Explorer con Windows, Safari con Macintosh y Firefox con otros sistemas operativos.

La primera vez que acceda al producto, debe asignar una dirección IP y establecer la contraseña para el usuario administrador predeterminado *root*.

- Para asignar una dirección IP, vea *página 203*.
- Para establecer la contraseña de *root*, vea *página 206*.

Cómo acceder al producto desde un navegador

1. Inicie un navegador web.
2. Introduzca la dirección IP o el nombre del host del producto de Axis en el campo de dirección del navegador.

Si no conoce la dirección IP, use AXIS IP Utility para localizar el producto en la red. Para obtener información sobre cómo detectar y asignar direcciones IP, consulte *Asignación de una dirección IP en la página 203*. Esta información también está disponible en las páginas de soporte técnico, en axis.com/support

3. Introduzca su nombre de usuario y contraseña. Si esta es la primera vez que se accede al producto, primero deberá configurar la contraseña root.
4. Se abre AXIS Entry Manager en el navegador. La página de inicio se denomina Overview (Descripción general).

Cómo acceder al producto desde Internet

Un router de red permite a los productos de una red privada (LAN) compartir una única conexión a Internet. Para ello, se transfiere el tráfico de red de la red privada a Internet.

La mayoría de los routers está preconfigurada para detener los intentos de acceso a la red privada (LAN) desde la red pública (Internet).

Si el producto de Axis se encuentra en una intranet (LAN) y quiere que esté disponible desde fuera (WAN) con un router NAT (Traducción de direcciones de red), active la **NAT transversal**. Con la NAT transversal configurada correctamente, se envía al producto todo el tráfico HTTP a un puerto externo HTTP en el router NAT.

Cómo activar la función de NAT transversal

- Vaya a **Setup > Additional Controller Configuration > System Options > Network > TCP/IP > Advanced** (Configuración > Configuración del controlador adicional > Opciones del sistema > Red > TCP/IP > Avanzada).
- Haga clic en **Enable** (Activar).
- Configure manualmente su router NAT para permitir el acceso desde Internet.

Consulte también la información sobre el servicio de DNS dinámico de Internet de AXIS en www.axiscam.net

Nota

- En este contexto, un "router" hace referencia a cualquier dispositivo de enrutamiento de red, como un router NAT, un router de red, una puerta de enlace de Internet, un router de banda ancha, un dispositivo de uso compartido de banda ancha o un software, como un cortafuegos.
- Para que funcione la NAT transversal, debe ser compatible con el router. El router debe ser compatible también con UPnP®.

Asignación de una dirección IP

Acerca de las direcciones IP predeterminadas

Los dispositivos de Axis se han diseñado para utilizarse en una red Ethernet. Para acceder a la página web del dispositivo, necesita una dirección IP. La mayoría de las redes cuentan con un servidor DHCP que asigna automáticamente direcciones IP a los dispositivos conectados.

Si su red no dispone de servidor DHCP, la dirección IP predeterminada será 192.168.0.90.

Métodos recomendados en Windows®

Se recomiendan **AXIS IP Utility** y **AXIS Camera Management** como métodos para buscar los productos de Axis en la red y asignarles direcciones IP en Windows®. Ambas aplicaciones son gratuitas y pueden descargarse de www.axis.com/techsup

AXIS IP Utility

Nota

El ordenador donde esté instalada la utilidad **AXIS IP Utility** debe estar en el mismo segmento de red (subred física) que el dispositivo de Axis.

Acceso al dispositivo en la red

1. Conecte la alimentación y la red al dispositivo de Axis.
2. Inicie **AXIS IP Utility**. Todos los dispositivos disponibles en la red se mostrarán en la lista automáticamente.
3. Para acceder al dispositivo desde un navegador, haga doble clic en el nombre en la lista.

Cambio de la dirección IP de un dispositivo

1. Inicie **AXIS IP Utility**. Todos los dispositivos disponibles en la red se mostrarán en la lista automáticamente.
2. Haga clic con el botón derecho en el dispositivo de la lista y seleccione **Assign new IP address to selected device (Asignar nueva dirección IP al dispositivo seleccionado)**.
3. Introduzca una dirección IP disponible y haga clic en **Assign (Asignar)**.
4. Para acceder al dispositivo desde un navegador, haga doble clic en el nombre en la lista.

AXIS Device Manager


Acceso al dispositivo en la red

1. Conecte la alimentación y la red al dispositivo de Axis.

2. Inicie AXIS Device Manager.
3. Para conectar con un servidor, vaya a **Main menu > Servers > New connection (Menú Principal > Servidores > Nueva conexión)**:
 - Si el servidor está en la red, seleccione **Remote server (Servidor remoto)** y elija un servidor en la lista desplegable o introduzca la dirección IP o DNS en el campo **Remote server (Servidor remoto)**.
 - Si el servidor se está ejecutando localmente en el equipo, seleccione **This computer (Este equipo)**.
4. Para iniciar sesión como el usuario de Windows actual, haga clic en **Log in (Iniciar sesión)**.
Si borra **Log on as current user (Iniciar sesión como usuario actual)**, necesitará introducir un nombre de usuario y una contraseña en el siguiente paso.
5. Agregue dispositivos:
 - AXIS Device Manager busca dispositivos de Axis automáticamente en la red y los agrega a la lista de dispositivos.
 - Para agregar dispositivos manualmente, vaya a **Device management > Add devices (Gestión de dispositivos > Agregar dispositivos)**. Seleccione en la lista los dispositivos que desee agregar, haga clic en **Next (Siguiente)** y, a continuación, en **Finish (Finalizar)**.
 - Para agregar dispositivos de un rango de IP, vaya a **Device management > Add devices from IP range (Gestión de dispositivos > Agregar dispositivos del rango de IP)**.
 - Para agregar un dispositivo de una dirección IP específica, vaya a **Device management > Add device from address (Gestión de dispositivos > Agregar dispositivo desde dirección)**.
6. Para acceder al dispositivo desde un navegador, haga clic en el enlace de la dirección en la lista.

Cambio de las direcciones IP de varios dispositivos

Para acelerar el proceso de asignación de direcciones IP, AXIS Device Manager sugiere direcciones IP de un rango específico.

1. En AXIS Device Manager, vaya a **Device management (Gestión de dispositivos)**.
2. Seleccione los dispositivos que desee configurar y, a continuación, haga clic en **Assign IP address to selected devices (Asignar dirección IP a dispositivos seleccionados)** .
3. En el cuadro de diálogo **Device maintenance (Mantenimiento de dispositivo)**, haga clic en **Yes (Sí)**.
4. Seleccione **Assign the following IP address range (Asignar el siguiente rango de direcciones IP)**.
5. Para cambiar el rango de direcciones IP sugerido, introduzca el rango de direcciones IP en el campo de texto **IP range (Rango IP)**.

6. Haga clic en **Next (Siguiente)**.
7. Para cambiar cualquier dirección IP, seleccione un dispositivo y haga clic en **Edit IP (Editar IP)**.
8. Haga clic en **Finish (Finalizar)**.

Otros métodos

Las siguientes listas muestran otros métodos disponibles para asignar o detectar direcciones IP.

Windows®

- **UPnP™**
UPnP detecta automáticamente dispositivos de Axis y los agrega a **Network (Red)** o **My Network Places (Mis sitios de red)**.

Mac OS X® 10.4 o versiones posteriores

- **Bonjour** (aplicable a todos los navegadores compatibles con Bonjour)
Acceda a los marcadores de Bonjour en el navegador (por ejemplo, Safari) y haga clic en el enlace para acceder a la página web.

Todos los sistemas operativos

- **Servidor DHCP**
Para ver las páginas de administración del servidor DHCP de red, consulte la documentación de usuario del servidor.
- **Servicios de vídeo alojado**
Para conectarse a un servicio de vídeo alojado, consulte la guía de instalación del proveedor del servicio. Para obtener información y ayuda para encontrar un proveedor de servicios local, visite www.axis.com/hosting

Asignación de una dirección IP usando ARP/Ping

La dirección IP del dispositivo se puede asignar usando ARP/Ping. El comando se debe emitir en un plazo de 2 minutos a partir de la conexión de la fuente de alimentación.

1. Adquiera una dirección IP estática gratis en el mismo segmento de red que el equipo.
2. Localice el número de serie (S/N) en la etiqueta del dispositivo.
3. Abra el símbolo del sistema e introduzca los siguientes comandos:

Sintaxis Linux/Unix

```
arp -s <dirección IP> <número de serie> temp  
ping -s 408 <dirección IP>
```

Ejemplo de Linux/Unix

```
arp -s 192.168.0.125 00:40:8c:18:10:00 temp  
ping -s 408 192.168.0.125
```

AXIS A1001 Network Door Controller

Sintaxis de Windows (es posible que deba ejecutar el símbolo del sistema como administrador)

```
arp -s <dirección IP> <número de serie>  
ping -l 408 -t <dirección IP>
```

Ejemplo de Windows (es posible que deba ejecutar el símbolo del sistema como administrador)

```
arp -s 192.168.0.125 00-40-8c-18-10-00  
ping -l 408 -t 192.168.0.125
```

4. Reinicie el dispositivo. Para ello, debe desconectar y volver a conectar el conector de red.
5. Cierre el símbolo del sistema cuando el dispositivo responda con `Reply from 192.168.0.125:...` o similar.
6. Abra un navegador y escriba `http://<dirección IP>` en el campo de la dirección.

Nota

- Para abrir el símbolo del sistema en Windows, abra el menú **Start (Inicio)** y busque `cmd`.
- Para usar el comando ARP en Windows 8/Windows 7/Windows Vista, haga clic en el botón derecho del icono del símbolo del sistema y seleccione **Run as administrator (Ejecutar como administrador)**.
- Para abrir el símbolo del sistema en Mac OS X, abra la utilidad **Terminal** desde **Aplicación > Utilidades**.

Cómo establecer la contraseña root

Para acceder al producto de Axis, debe definir la contraseña para el administrador **root** predeterminado. Esta acción se lleva a cabo en el cuadro de diálogo **Configure Root Password (Configurar contraseña de root)**, que se abre cuando se accede al producto por primera vez.

Para evitar escuchas ilegales en la red, la contraseña de root se puede definir mediante una conexión HTTPS cifrada, que requiere un certificado HTTPS. HTTPS (protocolo de transferencia de hipertexto sobre SSL) es un protocolo que se usa para cifrar el tráfico entre los navegadores web y los servidores. El certificado HTTPS garantiza un intercambio cifrado de información.

El nombre de usuario del administrador predeterminado **root** es permanente y no se puede eliminar. Si pierde la contraseña de root, habrá que restablecer el producto a su configuración predeterminada de fábrica. Para obtener información acerca de cómo se restablecen los valores predeterminados de fábrica, consulte el manual del usuario.

Para definir la contraseña, escribala directamente en el cuadro de diálogo.

Configuración del hardware

Configure el hardware en las páginas **Hardware Configuration (Configuración del hardware)** antes de instalar el producto.

Puede conectar lectores, cerraduras y otros dispositivos al producto de Axis antes de finalizar la configuración del hardware. Sin embargo, la conexión de dispositivos será más fácil si completa la configuración de hardware primero. Esto se debe a que un gráfico de pines del hardware estará disponible cuando la configuración esté completa. El gráfico de pines del hardware es una guía sobre cómo conectar los dispositivos a los pines. Se puede usar como hoja de referencia para tareas de mantenimiento. Para conocer las instrucciones de mantenimiento, consulte *página 211*.

Para configurar el hardware, seleccione uno de los siguientes métodos:

- Importación de un archivo de configuración de hardware. Consulte *página 207*.
- Creación de una nueva configuración de hardware. Consulte *página 208*.

Nota

Si el hardware del producto no se ha configurado antes o se ha eliminado, **Hardware Configuration (Configuración de hardware)** estará disponible en el panel de notificación de la página Overview (Descripción general).

Cómo importar un archivo de configuración de hardware

ES

La configuración del hardware del producto de Axis se puede completar más rápidamente mediante la importación de un archivo de configuración de hardware.

Para obtener más información sobre la exportación de archivos de configuración de hardware, consulte el Manual del usuario.

Para importar un archivo de configuración de hardware:

1. Vaya a **Setup > Hardware Configuration (Configuración > Configuración de hardware)**.
2. Haga clic en **Import hardware configuration (Importar configuración de hardware)**. Si ya existe una configuración de hardware, haga clic en **Reset and import hardware configuration (Restablecer e importar una configuración de hardware)**.
3. En el cuadro de diálogo del navegador de archivos que aparece, localice y seleccione el archivo de configuración de hardware (*.json) en su equipo.
4. Haga clic en **OK (Aceptar)**.

Conexión del hardware

Para conectar el hardware:

1. Si procede, quite el tornillo de la cubierta, inserte un destornillador plano en la ranura de extracción de la cubierta y retire la cubierta.
2. Conecte el producto de Axis a la red y espere hasta que la conexión de red se haya establecido y el producto tenga alimentación. Si el producto no cuenta con alimentación a través de Ethernet, sino que usa Ethernet y alimentación externa en su lugar, también deberá conectar el producto a una fuente de alimentación limitada (LPS) compatible con SELV. Para obtener más información sobre el conector de alimentación (entrada CC), consulte *Especificaciones en la página 182*.

Creación de una nueva configuración de hardware

Siga las instrucciones según sus necesidades:

- *Cómo crear una nueva configuración de hardware sin periféricos en la página 208*
- *Cómo crear una nueva configuración de hardware para cierres inalámbricos en la página 208*
- *Cómo crear una nueva configuración de hardware con control de ascensor (AXIS A9188) en la página 208*

Cómo crear una nueva configuración de hardware sin periféricos

1. Vaya a **Setup > Hardware Configuration** (Configuración > Configuración de hardware) y haga clic en **Start new hardware configuration** (Iniciar nueva configuración de hardware).
2. Introduzca el nombre del producto Axis.
3. Seleccione el número de puertas conectadas y haga clic en **Next** (Siguiente).
4. Haga clic en **Close** (Cerrar) o en el enlace para ver el gráfico de pines del hardware.

Cómo crear una nueva configuración de hardware para cierres inalámbricos

1. Vaya a **Setup > Hardware Configuration** (Configuración > Configuración de hardware) y haga clic en **Start new hardware configuration** (Iniciar nueva configuración de hardware).
2. Introduzca el nombre del producto Axis.
3. En la lista de periféricos, seleccione un fabricante para la puerta de enlace inalámbrica.
4. En función de su fabricante de cerraduras, continúe según uno de los puntos:
 - **ASSA Aperio**: Haga clic en el enlace para ver el gráfico de pines del hardware o haga clic en **Close** (Cerrar) y vaya a **Setup > Hardware Reconfiguration** (Configuración > Reconfiguración de Hardware) para completar la configuración. Consulte *Adición de puertas y dispositivos inalámbricos Assa Aperio™ en la página 209*.
 - **SmartIntego**: Haga clic en el enlace para ver el gráfico de pines del hardware o haga clic en **Click here to select wireless gateway and configure doors** (Haga clic aquí para seleccionar la puerta de enlace inalámbrica y configurar las puertas) para completar la configuración. Consulte *Cómo configurar SmartIntego en la página 210*.

Cómo crear una nueva configuración de hardware con control de ascensor (AXIS A9188)

Importante

Antes de crear una configuración de hardware, tiene que agregar un usuario a AXIS A9188 Network I/O Relay Module. Vaya a la interfaz web A9188> Preferences > Additional

device configuration > Basic setup > Users > Add > User setup (Preferencias > Configuración del dispositivo adicional> Configuración básica> Usuarios> Agregar> Configuración de usuario).

Nota

Se puede configurar un máximo de 2 AXIS 9188 Network I/O Relay Module con cada Axis Network Door Controller

1. En A1001, vaya a **Setup > Hardware Configuration (Configuración > Configuración de hardware)** y haga clic en **Start new hardware configuration (Iniciar nueva configuración de hardware)**.
2. Introduzca el nombre del producto Axis.
3. En la lista de periféricos, seleccione **Elevator control (Control de ascensor)** para incluir AXIS A9188 Network I/O Relay Module y haga clic en **Next (Siguiente)**.
4. Introduzca el nombre del lector conectado.
5. Seleccione los protocolos de lectores que se utilizarán y haga clic en **Finish (Finalizar)**.
6. Haga clic en **Network Peripherals (Periféricos de red)** para completar la configuración. Consulte o haga clic en el enlace para acceder al gráfico de pines del hardware.

ES

Adición de puertas y dispositivos inalámbricos Assa Aperio™

Antes de añadir una puerta inalámbrica al sistema, es necesario emparejarla con el concentrador de comunicaciones Assa Aperio conectado mediante la herramienta de aplicación de programación Aperio PAP.

Para añadir una puerta inalámbrica:

1. Acceda a **Setup (Configuración) > Hardware Reconfiguration (Reconfiguración de hardware)**.
2. Debajo de **Wireless Doors and Devices (Puertas y dispositivos inalámbricos)**, haga clic en **Add door (Añadir puerta)**.
3. En el campo **Door name (Nombre de puerta)**: introduzca un nombre descriptivo.
4. En el campo **ID (Identificación)**, debajo de **Lock (Cerradura)**: introduzca la dirección de seis caracteres del dispositivo que desee añadir. La dirección del dispositivo aparece impresa en la etiqueta del producto.
5. Si lo desea, en **Door position sensor (Sensor de posición de puerta externo)**: Seleccione **Built in door position sensor (Sensor de posición de puerta integrado)** o **External door position sensor (Sensor de posición de puerta externo)**.

Nota

Si utiliza un sensor de posición de puerta externo, asegúrese de que el dispositivo de bloqueo Aperio es compatible con la detección de estado del mango de la puerta antes de configurarlo.

AXIS A1001 Network Door Controller

6. Si lo desea, en el campo **ID en Door position sensor (Sensor de posición de puerta)**: introduzca la dirección de seis caracteres del dispositivo que desee añadir. La dirección del dispositivo aparece impresa en la etiqueta del producto.
7. Haga clic en **Add (Añadir)**.

Requisitos previos de SmartIntego

Hay que reunir los requisitos previos siguientes antes de continuar con la configuración de SmartIntego:

- Hay que crear un archivo csv. El archivo csv contiene información sobre el GatewayNode y las puertas que se utilizan en la solución SmartIntego. El archivo se crea en un software autónomo proporcionado por un socio de SimonsVoss.
- Se ha completado la configuración de hardware de SmartIntego. Consulte *Cómo crear una nueva configuración de hardware para cierres inalámbricos en la página 208*.

Nota

- La configuración de SmartIntego debe ser la versión 2.1.6452.23485, compilación 2.1.6452.23485 (31/8/2017 1:02:50 p. m.) o posterior.
- El estándar de cifrado avanzado (AES) no es compatible con SmartIntego y, por lo tanto, debe estar desactivado en la configuración de SmartIntego.

Cómo configurar SmartIntego

Nota

- Asegúrese de que se han reunido los requisitos previos enumerados.
 - Para una mayor visibilidad del estado de la batería, vaya a **Setup (Configuración) > Configure event and alarms logs (Configurar registros de eventos y alarmas)** y agregue **Door – Battery alarm (Puerta – Alarma de batería)** o **IdPoint – Battery alarm (IdPoint – Alarma de batería)** como alarma.
 - Los ajustes de monitor de puerta provienen del archivo CSV importado. No debería tener que cambiar este ajuste en una instalación normal.
1. Haga clic en **Browse... (Examinar)**, seleccione el archivo csv y haga clic en **Upload file (Cargar archivo)**.
 2. Seleccione un GatewayNode y haga clic en **Next (Siguiente)**.
 3. Se muestra una vista previa de la nueva configuración. Desactive los monitores de puerta si fuese necesario.
 4. Haga clic en **Configure (Configuración)**.
 5. Se muestra una vista completa de las puertas incluidas en la configuración. Haga clic en **Settings (Configuración)** para configurar cada puerta individualmente.

Restablecimiento a la configuración predeterminada de fábrica

Importante

Es preciso tener cuidado si se va a restablecer la configuración predeterminada de fábrica. Todos los valores, incluida la dirección IP, se restablecerán a la configuración predeterminada de fábrica.

Para restablecer el producto a la configuración predeterminada de fábrica:

1. Desconecte la alimentación del producto.
2. Mantenga pulsado el botón de control mientras vuelve a conectar la alimentación. Consulte .
3. Mantenga pulsado el botón de control durante 25 segundos hasta que el indicador LED de estado se ponga en ámbar por segunda vez.
4. Suelte el botón de control. El proceso finaliza cuando el indicador LED de estado se pone verde. El producto se ha restablecido a la configuración predeterminada de fábrica. Si no hay ningún servidor DHCP disponible en la red, la dirección IP predeterminada es 192.168.0.90.
5. Utilice las herramientas del software de instalación y gestión para asignar una dirección IP, establecer la contraseña y acceder al producto.

ES

También es posible restablecer los parámetros a los valores predeterminados de fábrica mediante la interfaz web. Vaya a **Setup > Additional Controller Configuration > Setup > System Options > Maintenance (Configuración > Configuración del controlador adicional > Configuración > Opciones del sistema > Mantenimiento)** y haga clic en **Default (Predeterminado)**.

Instrucciones de mantenimiento

Para mantener el sistema de control de acceso funcionando correctamente, Axis recomienda efectuarle un mantenimiento periódico, incluidos los controladores de puerta y los dispositivos conectados.

Efectúe tareas de mantenimiento al menos una vez al año. El procedimiento de mantenimiento sugerido incluye, aunque sin limitarse a ellos, los siguientes pasos:

- Compruebe que todas las conexiones entre el controlador de puerta y los dispositivos externos sean seguras.
- Verifique todas las conexiones de hardware. Se requiere acceso a las páginas web del producto. Para obtener más información, consulte el manual de usuario.
- Compruebe que el sistema funcione correctamente, incluidos los dispositivos externos conectados.
 - Pase una tarjeta y pruebe los lectores, las puertas y las cerraduras.
 - Si el sistema incluye dispositivos REX, sensores u otros dispositivos, pruébelos también.
 - Si están activadas, pruebe también las alarmas antimanipulación.

AXIS A1001 Network Door Controller

Si los resultados de cualquiera de los pasos anteriores indican que hay fallos o comportamientos inesperados:

- Pruebe las señales de los cables usando los equipos adecuados y compruebe si los cables están dañados en algún sentido.
- Sustituya todos los cables defectuosos.
- Una vez que se hayan sustituido los cables, compruebe de nuevo las conexiones de hardware. Se requiere acceso a las páginas web del producto. Para obtener más información, consulte el manual de usuario.
- Asegúrese de que estén actualizados todos usuarios y los grupos, así como las puertas y las programaciones de acceso. Se requiere acceso a las páginas web del producto. Para obtener más información, consulte el manual de usuario.
- Si el controlador de puerta no actúa del modo previsto, consulte el manual del usuario para obtener información sobre la resolución de problemas y las funciones de mantenimiento integradas del producto.

Para obtener información sobre el mantenimiento de la batería, consulte y *Batería en la página 173*.

Más información

- Para consultar la versión más reciente de este documento, vaya a axis.com.
- El manual de usuario se encuentra disponible en axis.com.
- Para comprobar si existe un firmware actualizado disponible para su dispositivo, vaya a axis.com/support.
- Para consultar webinars y cursos en línea que pueden resultarle útiles, vaya a axis.com/academy.

Información de garantía

Para obtener más detalles sobre la garantía del producto Axis y la información relacionada con ella, visite axis.com/warranty.

Installation Guide

AXIS A1001 Network Door Controller

© Axis Communications AB, 2013 - 2019

Ver. M3.5

Date: March 2019

Part No. 1972057