

AXIS V59 Series

AXIS V5914 Network Camera

AXIS V5915 Network Camera

Installation Guide

English

EN

France: Français

FR

Deutschland: Deutsch

DE

Italia: Italiano

IT

España: Español

ES

日本: 日本語

JA

中文: 简体中文

ZH

Read this first

Read through this Installation Guide carefully before installing the product. Keep the Installation Guide for future reference.

Legal considerations

Video and audio surveillance can be regulated by laws that vary from country to country. Check the laws in your local region before using this product for surveillance purposes.

This product includes the following licences:

- one (1) AAC decoder license
- one (1) H.264 decoder license

To purchase further licenses, contact your reseller.

Liability

Every care has been taken in the preparation of this document. Please inform your local Axis office of any inaccuracies or omissions. Axis Communications AB cannot be held responsible for any technical or typographical errors and reserves the right to make changes to the product and manuals without prior notice. Axis Communications AB makes no warranty of any kind with regard to the material contained within this document, including, but not limited to, the implied warranties of merchantability and fitness for a particular purpose. Axis Communications AB shall not be liable nor responsible for incidental or consequential damages in connection with the furnishing, performance or use of this material. This product is only to be used for its intended purpose.

Intellectual property rights

Axis AB has intellectual property rights relating to technology embodied in the product described in this document. In particular, and without limitation, these intellectual property rights may include one or more of the patents listed at www.axis.com/patent.htm and one or more additional patents or pending patent applications in the US and other countries.

This product contains licensed third-party software. See the menu item "About" in the product's user interface for more information.

This product contains source code copyright Apple Computer, Inc., under the terms of Apple Public Source License 2.0 (see www.opensource.apple.com/aps/). The source code is available from <https://developer.apple.com/bonjour/>

Equipment modifications

This equipment must be installed and used in strict accordance with the instructions given in the user documentation. This equipment contains no user-serviceable components. Unauthorized equipment changes or modifications will invalidate all applicable regulatory certifications and approvals.

Trademark acknowledgments

AXIS COMMUNICATIONS, AXIS and VAPIX are registered trademarks or trademark applications of Axis AB in various jurisdictions. All other company names and products are trademarks or registered trademarks of their respective companies.

Apple, Boa, Apache, Bonjour, Ethernet, Internet Explorer, Linux, Microsoft, Mozilla, Real, SMPT, QuickTime, UNIX, Windows, Windows Vista and WWW are registered trademarks of the respective holders.

Java and all Java-based trademarks and logos are trademarks or registered trademarks of Oracle and/or its affiliates. UPnP™ is a certification mark of the UPnP™ Implementers Corporation.

SD, SDHC and SDXC are trademarks or registered trademarks of SD-3C, LLC in the United States, other countries or both. Also, miniSD, microSD, miniSDHC, microSDHC, microSDXC are all trademarks or registered trademarks of SD-3C, LLC in the United States, other countries or both.

The terms HDMI and HDMI High-Definition Multimedia Interface, and the HDMI Logo are trademarks or registered trademarks of HDMI Licensing LLC in the United States and other countries.

Regulatory information

Europe

CE This product complies with the applicable CE marking directives and harmonized standards:

- Electromagnetic Compatibility (EMC) Directive 2014/30/EU. See *Electromagnetic compatibility (EMC) on page 4*.
- Low Voltage (LVD) Directive 2014/35/EU. See *Safety on page 5*.
- Restrictions of Hazardous Substances (RoHS) Directive 2011/65/EU. See *Disposal and recycling on page 5*.

A copy of the original declaration of conformity may be obtained from Axis Communications AB. See *Contact information on page 5*.

Electromagnetic compatibility (EMC)

This equipment has been designed and tested to fulfill applicable standards for:

- Radio frequency emission when installed according to the instructions and used in its intended environment.
- Immunity to electrical and electromagnetic phenomena when installed according to the instructions and used in its intended environment.

USA

This equipment has been tested using an unshielded network cable (UTP) and found to comply with the limits for a Class A digital device, pursuant to part 15 of the FCC rules. This equipment has also been tested using a shielded network cable (STP) and found to comply with the limits for a Class A digital device, pursuant to part 15 of the FCC rules. These limits are designed to provide reasonable protection against harmful interference when the equipment is operated in a commercial environment. This equipment generates, uses, and can radiate radio frequency energy and, if not installed and used in accordance with the instruction manual, may cause harmful interference to radio communications. Operation of this equipment in a residential area is likely to cause harmful interference in which case the user will be required to correct the interference at his own expense.

Canada

This digital apparatus complies with CAN ICES-3 (Class A). The product shall be connected using a shielded network cable (STP) that is properly grounded. Cet appareil numérique est conforme à la norme NMB ICES-3 (classe A). Le produit doit être connecté à l'aide d'un câble réseau blindé (STP) qui est correctement mis à la terre.

Europe

This digital equipment fulfills the requirements for RF emission according to the Class A limit of EN 55022. The product shall be connected using a shielded network cable (STP) that is properly grounded. Notice! This is a Class A product. In a domestic environment this product may cause RF interference, in which case the user may be required to take adequate measures.

This product fulfills the requirements for immunity according to EN 61000-6-1 residential, commercial and light-industrial environments.

This product fulfills the requirements for immunity according to EN 61000-6-2 industrial environments.

This product fulfills the requirements for immunity according to EN 55024 office and commercial environments.

Australia/New Zealand

This digital equipment fulfills the requirements for RF emission according to the Class A limit of AS/NZS CISPR 22. The product shall be connected using a shielded network cable (STP) that is properly grounded. Notice! This is a Class A product. In a domestic environment this product may cause RF interference, in which case the user may be required to take adequate measures.

Japan

この装置は、クラスA情報技術装置です。この装置を家庭環境で使用すると電波妨害を引き起こすことがあります。この場合には使用者が適切な対策を講ずるよう要求されることがあります。本製品は、シールドネットワークケーブル(STP)を使用して接続してください。また適切に接地してください。

Korea

이 기기는 업무용 환경에서 사용할 목적으로 적합성평가를 받은 기기로서 가정용 환경에서 사용하는 경우 전파간섭의 우려가 있습니다. 적절히 접지된 STP (shielded twisted pair) 케이블을 사용하여 제품을 연결 하십시오.

Safety

This product complies with IEC/EN/UL 60950-1, Safety of Information Technology Equipment.

If its connecting cables are routed outdoors, the product shall be grounded either through a shielded network cable (STP) or other appropriate method.

The power supply used with this product shall fulfill the requirements for Safety Extra Low Voltage (SELV) according to clause 2.2 of IEC/UL 60950-1 and Limited Power Source (LPS) according to clause 2.5 of IEC/UL 60950-1 or CEC/NEC Class 2 source of supply as defined in the Canadian Electrical Code, CSA C22.1 and National Electrical Code, ANSI/NFPA 70.

Disposal and recycling

When this product has reached the end of its useful life, dispose of it according to local laws and regulations. For information about your nearest designated collection point, contact your local authority responsible for waste disposal. In accordance with local legislation, penalties may be applicable for incorrect disposal of this waste.

Europe



This symbol means that the product shall not be disposed of together with household or commercial waste. Directive 2012/19/EU on waste electrical and electronic equipment (WEEE) is applicable in the European Union member states. To prevent potential harm to human health and the environment, the product must be disposed of in an approved and environmentally safe recycling process. For information about your nearest designated collection point, contact your local authority responsible for waste disposal. Businesses should contact the product supplier for information about how to dispose of this product correctly.

This product complies with the requirements of Directive 2011/65/EU and 2015/863 on the restriction of the use of certain hazardous substances in electrical and electronic equipment (RoHS).

China



This product complies with the requirements of SJ/T 11364-2014, Marking for the restriction of hazardous substances in electrical and electronic products.

有毒有害物质或元素						
部件名称	铅 (Pb)	汞 (Hg)	镉 (Cd)	六价铬 (Cr(VI))	多溴联苯 (PB-B)	多溴二苯醚 (PB-DE)
电气安装部分	X	0	0	0	0	0

0: 表示该有毒有害物质在该部件均质材料中的含量均在GB/T 26572标准规定的限量要求以下。
X: 表示该有毒有害物质至少在该部件的某一均质材料中的含量超出GB/T 26572标准规定的限量要求。

Contact information

Axis Communications AB
Emdalavägen 14
223 69 Lund
Sweden

Tel: +46 46 272 18 00
Fax: +46 46 13 61 30

www.axis.com

Warranty information

For information about Axis' product warranty and thereto related information, go to www.axis.com/warranty/

Support

Should you require any technical assistance, please contact your Axis reseller. If your questions cannot be answered immediately, your reseller will forward your queries through the appropriate channels to ensure a rapid response. If you are connected to the Internet, you can:

- download user documentation and software updates
- find answers to resolved problems in the FAQ database. Search by product, category, or phrase
- report problems to Axis support staff by logging in to your private support area
- chat with Axis support staff
- visit Axis Support at www.axis.com/support

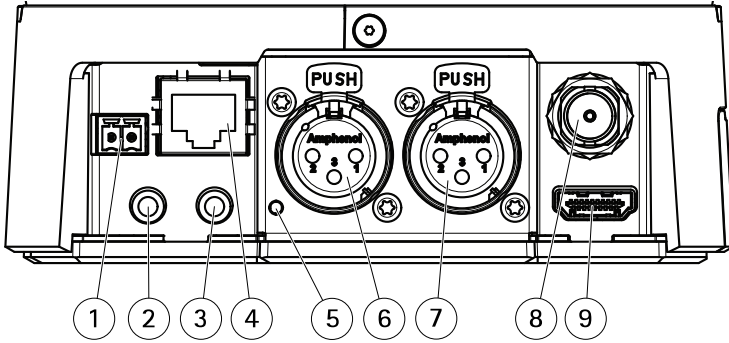
Learn more!

Visit Axis learning center www.axis.com/academy/ for useful trainings, webinars, tutorials and guides.

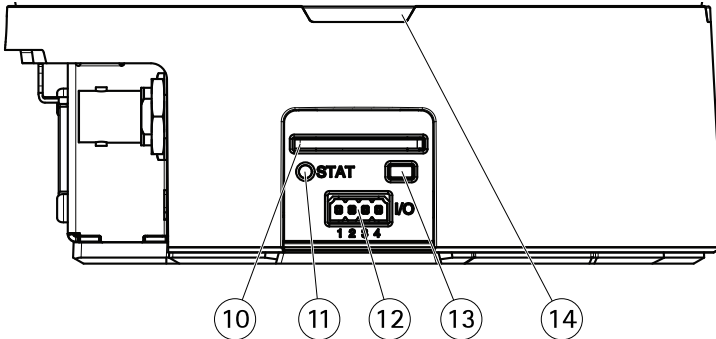
Package contents

- AXIS V5914/V5915 Network Camera
- Power supply with mains cable
- Mounting kit for walls and ceilings
- Terminal connector for I/O
- Cable tie (2x)
- Printed materials
 - Installation Guide (this document)
 - Extra serial number label (2x)
 - AVHS Authentication key

Product overview



- 1 Power connector
- 2 3.5 mm, unbalanced audio in
- 3 3.5 mm, unbalanced audio out
- 4 Network connector
- 5 Microphone power LED (XLR)
- 6 XLR, balanced audio in (left)
- 7 XLR, balanced audio in (right)
- 8 BNC connector (SDI)
- 9 HDMI connector



- 10 SD card slot (SDHC)
- 11 Status LED indicator
- 12 I/O connector
- 13 Control button
- 14 Tally LED (3x)

How to install the product

Recommended tools

- Drill – if using the wall or drop ceiling mount

Install the hardware

There are three ways to install the camera:

NOTICE

The camera shall be installed upright or upside down, never sideways or at an angle.

- Standing on a table top.
- Hanging on a wall, see *Wall Mount on page 9*
- Hanging from a drop ceiling, see *Drop Ceiling Mount on page 10*

To install the camera on a table top:

1. Place the camera on a table top or other horizontal surface. Make sure that the surface is stable.
2. Insert the SD memory card (optional).
3. Connect the required cables to the camera.

NOTICE

Be careful not to stretch or bend the cables too much. This could cause damage to the cables.

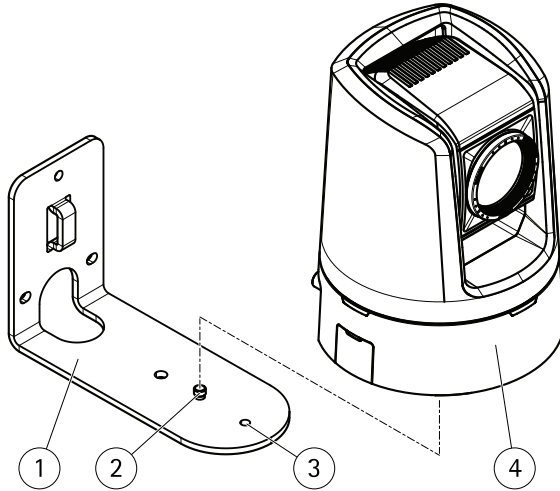
4. Connect the power supply to a mains power outlet (100–240 VAC).

Wall Mount

⚠WARNING

The combined weight of the camera and mounting bracket is approximately 1.7 kg (3.7 lb.). Make sure that the wall material is strong enough to support this weight.

1. If required, route the cables through the wall.
2. Install the mounting bracket on a wall and make sure that the screws and plugs are appropriate for the material (e.g. wood, metal, sheet rock, stone).
3. Insert the SD memory card (optional).
4. Mount the camera on the mounting bracket and tighten the tripod screw. Alternatively use the Outer mounting hole to allow for more cable to fit behind the camera.



- 1 Mounting bracket
- 2 Tripod screw
- 3 Outer mounting hole
- 4 Camera

5. Route and connect all cables to the camera.

NOTICE

Be careful not to stretch or bend the cables too much. This could cause damage to the cables.

6. To avoid strain on the connectors and cables, fasten all cables to the mounting bracket with cable ties.
7. Connect the power supply to a mains power outlet (100–240 VAC).

Drop Ceiling Mount

WARNING

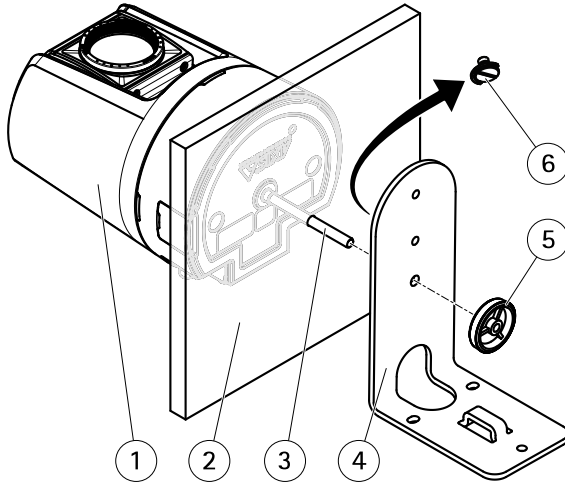
The combined weight of the camera and mounting bracket is approximately 1.7 kg (3.7 lb.). Make sure that the ceiling material is strong enough to support this weight.

NOTICE

The ceiling tile should be 5–60mm (0.2–2.4in.) thick.

1. Insert the SD memory card (optional).
2. Remove the ceiling tile in which the drop ceiling mount is to be fitted.
3. Drill a 7 mm (9/32 in) hole in the ceiling tile.
4. Remove the tripod screw from the mounting bracket.

5. Attach the short end of the threaded rod to the camera and tighten.
6. Assemble the camera, ceiling tile and the mounting bracket and tighten the nut.



- 1 Camera
- 2 Ceiling tile
- 3 Threaded rod
- 4 Mounting bracket
- 5 Nut
- 6 Tripod screw

7. Route and connect all cables to the camera.

NOTICE

Be careful not to stretch or bend the cables too much. This could cause damage to the cables.

8. Connect the power supply to a mains power outlet (100–240 VAC).
9. Install the ceiling tile with the camera mounted on it.

Connect the Camera to a HDMI Display

The camera can be connected to a HDMI display and transmit audio and video to that display without the need for a network connection.

If the display supports the maximum resolution of the camera, just connect the display without adjusting any settings.

AXIS V59 Series

If the display's maximum resolution does not match that of the camera, the capture mode in the camera has to be changed to match the resolution of the display.

Go to **Setup > Video and Audio > Camera Settings** and select a capture mode that matches the display.

Note

Only capture modes containing the text **(HDMI)** can be used with the HDMI connector.

How to access the product

AXIS IP Utility and AXIS Camera Management are recommended methods for finding Axis products on the network and assigning them IP addresses in Windows®. Both applications are free and can be downloaded from www.axis.com/support

The product can be used with most operating systems and browsers. We recommend the following browsers:

- Internet Explorer® with Windows®
- Safari® with OS X®
- Chrome™ or Firefox® with other operating systems.

For more information about using the product, see the User Manual available at www.axis.com

How to reset to factory default settings

Important

Reset to factory default should be used with caution. A reset to factory default resets all settings, including the IP address, to the factory default values.

To reset the product to the factory default settings:

1. Disconnect power from the product.
2. Press and hold the control button and reconnect power.
3. Keep the control button pressed for 15–30 seconds until the status LED indicator flashes amber.
4. Release the control button. The process is complete when the status LED indicator turns green. The product has been reset to the factory default settings. If no DHCP server is available on the network, the default IP address is 192.168.0.90
5. Using the installation and management software tools, assign an IP address, set the password, and access the video stream.

The installation and management software tools are available from the support pages at www.axis.com/support

It is also possible to reset parameters to factory default via the web interface. Go to **Setup > System Options > Maintenance** and click **Default**.

Further information

- For the latest version of this document, see www.axis.com
- The user manual is available at www.axis.com
- To check if there is updated firmware available for your product, see www.axis.com/support
- For useful online trainings and webinars, see www.axis.com/academy

Technical specifications

To find the latest version of the datasheet, go to www.axis.com > product > Support & Documentation.

LED Indicators

Status LED	Indication
Unlit	Connection and normal operation.
Green	Shows steady green for 10 seconds for normal operation after startup completed.
Amber	Steady during startup. Flashes during firmware upgrade or reset to factory default.
Amber/Red	Flashes amber/red if network connection is unavailable or lost.
Red	Firmware upgrade failure.

Microphone power LED	Indication
Unlit	Phantom power off.
Blue	Phantom power on.

Note

- The tally LED can be configured to be lit or unlit during normal operation. To configure, go to **Setup > System Options > Ports & Devices > LED**. See the online help for more information.
- The tally LED only indicates network transmission. If video or audio is only transmitted through HDMI or SDI the tally LED will be unlit.

Tally LED	Indication
Unlit	Camera idle.
Red	Active network transmission or recording.

SD card slot

NOTICE

- Risk of damage to SD card. Do not use sharp tools, metal objects, or excessive force when inserting or removing the SD card. Use your fingers to insert and remove the card.

- Risk of data loss and corrupted recordings. Do not remove the SD card while the product is running. Disconnect power or unmount the SD card from the product's webpage before removal.

This product supports SD/SDHC/SDXC cards (not included).

For SD card recommendations, see www.axis.com

Buttons

Control button

For location of the control button, see *Product overview on page 8*.

The control button is used for:

- Resetting the product to factory default settings. See *page 14*.
- Connecting to an AXIS Video Hosting System service or AXIS Internet Dynamic DNS Service. For more information about these services, see www.axis.com.

Connectors

BNC connector

The BNC connector is used for connecting broadcast equipment using SDI. Connect a 75 Ohm coaxial SDI cable.

CAUTION

The connector may be hot during normal operation in elevated ambient temperatures.

HDMI connector

Use the HDMI™ connector to connect a display or public view monitor.

Network connector

RJ45 Ethernet connector.

NOTICE

Due to local regulations or the environmental and electrical conditions in which the product is to be used, a shielded network cable (STP) may be appropriate or required. All cables connecting the product to the network and that are routed outdoors or in demanding electrical environments shall be intended for their specific use. Make sure that the network devices are installed in accordance with the manufacturer's instructions. For information about regulatory requirements, see *Electromagnetic compatibility (EMC) on page 4*.

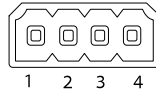
I/O connectors

Use the I/O connector with external devices in combination with, for example, tampering alarms, motion detection, event triggering, and alarm notifications. In addition to the 0 V DC reference point and power (DC output), the I/O connector provides the interface to:

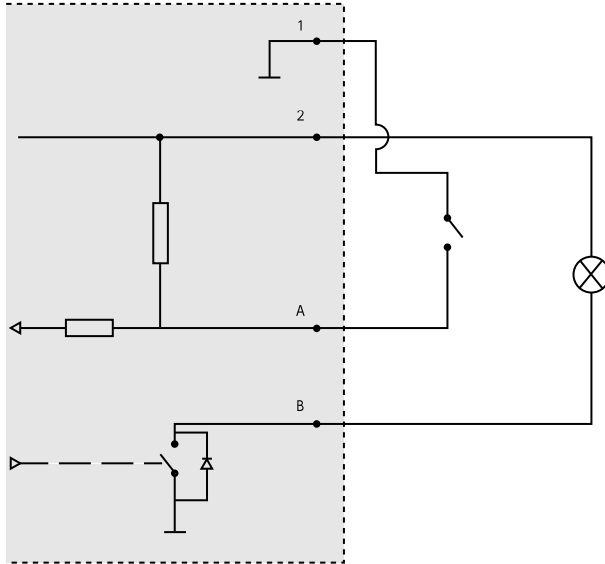
Digital output – For connecting external devices such as relays and LEDs. Connected devices can be activated by the VAPIX® Application Programming Interface or in the product’s webpage.

Digital input – For connecting devices that can toggle between an open and closed circuit, for example PIR sensors, door/window contacts, and glass break detectors.

4-pin terminal block



Function	Pin	Notes	Specifications
0 V DC (-)	1	DC ground	0 V DC
DC output	2	Can be used to power auxiliary equipment. Note: This pin can only be used as power out.	12 V DC Max load = 50 mA
Configurable (Input or Output)	3– 4	Digital input – Connect to pin 1 to activate, or leave floating (unconnected) to deactivate.	0 to max 30 V DC
		Digital output – Connected to pin 1 when activated, floating (unconnected) when deactivated. If used with an inductive load, e.g. a relay, a diode must be connected in parallel with the load, for protection against voltage transients.	0 to max 30 V DC, open drain, 100 mA



- 1 0 VDC (-)
- 2 DC output 12 V, max 50 mA
- A I/O configured as input
- B I/O configured as output

Audio connector

The Axis product has the following audio connectors:

- **Audio in** – 3.5 mm input for a stereo microphone, or a line-in stereo signal.
- **Audio out** – 3.5 mm output for audio (line level) that can be connected to a public address (PA) system or an active speaker with a built-in amplifier. A pair of headphones can also be attached. A stereo connector must be used for audio out.
- **Left** – 3-pin XLR connector for balanced audio input. Use left connector for mono.
- **Right** – 3-pin XLR connector for balanced audio input.

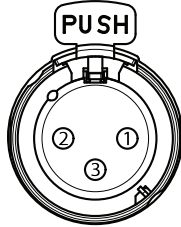
3.5 mm audio connectors (stereo)



AXIS V59 Series

	1 Tip	2 Ring	3 Sleeve
Audio Input	Microphone/Line in (left)	Microphone/Line in (right)	Ground
Audio Output	Line out (left)	Line out (right)	Ground

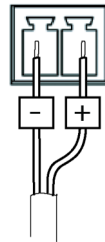
3-pin XLR connectors
(balanced)



Pin	1	2	3
Function	Ground	Balanced Microphone Hot (+) In	Balanced Microphone Cold (-) In

Power connector

2-pin terminal block for DC power input. Use a Safety Extra Low Voltage (SELV) compliant limited power source (LPS) with either a rated output power limited to ≤ 100 W or a rated output current limited to ≤ 5 A.



Operating conditions

The Axis product is intended for indoor use.

Product	Classification	Temperature	Humidity
AXIS V5914	IEC60721-4-3 Class 3K3, 3M3, C60529IP52	0°C to 40°C(32°F to 104°F)	10-85%RH (non-condensing)
AXIS V5915			

Power consumption

NOTICE

Use a limited power source (LPS) with either a rated output power limited to $\leq 100\text{W}$ or a rated output current limited to $\leq 5\text{A}$.

EN

Product	DC
AXIS V5914	8–28 V DC, max. 21 W
AXIS V5915	8–28 V DC, max. 21 W

Safety information

Hazard levels

▲DANGER

Indicates a hazardous situation which, if not avoided, will result in death or serious injury.

▲WARNING

Indicates a hazardous situation which, if not avoided, could result in death or serious injury.

▲CAUTION

Indicates a hazardous situation which, if not avoided, could result in minor or moderate injury.

NOTICE

Indicates a situation which, if not avoided, could result in damage to property.

Other message levels

Important

Indicates significant information which is essential for the product to function correctly.

Note

Indicates useful information which helps in getting the most out of the product.

Safety instructions

NOTICE

- The Axis product shall be used in compliance with local laws and regulations.
- Axis recommends using a shielded network cable (STP) CAT5 or higher.
- Store the Axis product in a dry and ventilated environment.
- Avoid exposing the Axis product to shocks or heavy pressure.
- Do not install the product on unstable poles, brackets, surfaces or walls.
- Use only applicable tools when installing the Axis product. Using excessive force with power tools could cause damage to the product.
- Do not use chemicals, caustic agents, or aerosol cleaners.
- Use a clean cloth dampened with pure water for cleaning.
- Use only accessories that comply with the technical specification of your product. These can be provided by Axis or a third party. Axis recommends using Axis power source equipment compatible with your product.
- Use only spare parts provided by or recommended by Axis.
- Do not attempt to repair the product yourself. Contact Axis support or your Axis reseller for service matters.
- Do not point the camera lens toward the sun or other high-intensity radiation sources because this could cause damage to the camera.

Transportation

NOTICE

- When transporting the Axis product, use the original packaging or equivalent to prevent damage to the product.

Battery

The Axis product uses a 3.0 V CR2032 lithium battery as the power supply for its internal real-time clock (RTC). Under normal conditions this battery will last for a minimum of five years.

Low battery power affects the operation of the RTC, causing it to reset at every power-up. When the battery needs replacing, a log message will appear in the product's server report. For more information about the server report, see the product's setup pages or contact Axis support.

The battery should not be replaced unless required, but if the battery does need replacing, contact Axis support at www.axis.com/support for assistance.

Lithium coin cell 3.0 V batteries contain 1,2-dimethoxyethane; ethylene glycol dimethyl ether (EGDME), CAS no. 110-71-4.

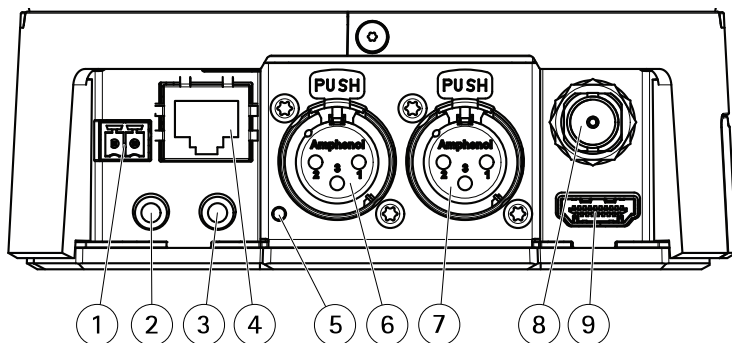
⚠WARNING

- Risk of explosion if the battery is incorrectly replaced.
- Replace only with an identical battery or a battery which is recommended by Axis.
- Dispose of used batteries according to local regulations or the battery manufacturer's instructions.

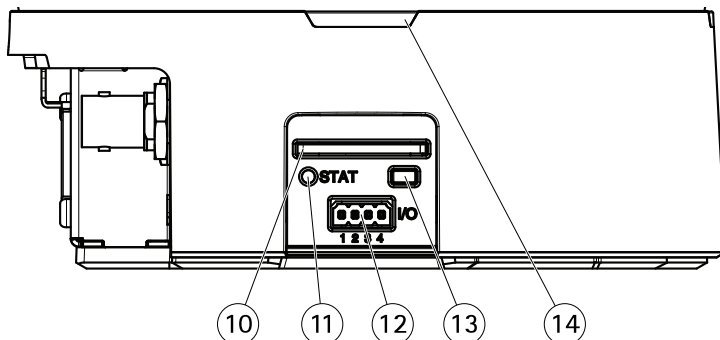
Contenu de l'emballage

- Caméra réseau AXIS V5914/V5915
- Bloc d'alimentation avec câble secteur
- Kit de fixation pour murs et plafonds
- Connecteur terminal pour E/S
- Frette de câbles (x2)
- Documents imprimés
 - Guide d'installation (ce document)
 - Étiquette supplémentaire de numéro de série (x2)
 - Clé d'authentification AVHS

Vue d'ensemble du produit



- 1 Connecteur d'alimentation
- 2 3,5 mm, entrée audio asymétrique
- 3 3,5 mm, sortie audio asymétrique
- 4 Connecteur réseau
- 5 Voyant d'alimentation du microphone (XLR)
- 6 XLR, entrée audio symétrique (gauche)
- 7 XLR, entrée audio symétrique (droite)
- 8 Connecteur BNC (SDI)
- 9 Connecteur HDMI



- 10 Emplacement pour carte SD (SDHC)
- 11 Voyant d'état
- 12 Connecteur d'E/S
- 13 Bouton de commande
- 14 Voyant de fonctionnement (x3)

Comment installer le produit

Outils recommandés

- Perceuse – en cas de fixation au mur ou au faux-plafond

Installation du matériel

Il existe trois façons d'installer la caméra :

AVIS

La caméra doit être installée en position verticale ou à l'envers, jamais latéralement ou sur un angle.

- Sur une table.
- Montage mural, voir *Fixation murale page 29*
- Montage sur faux-plafond, voir *Fixation au faux-plafond page 30*

Installation de la caméra sur une table :

1. Placez la caméra sur une table ou toute autre surface horizontale. Assurez-vous la surface est stable.
2. Insérez la carte mémoire SD (en option).
3. Connectez les câbles nécessaires à la caméra.

AVIS

Veillez à ne pas trop tendre ni trop plier les câbles. Cela risquerait d'endommager les câbles.

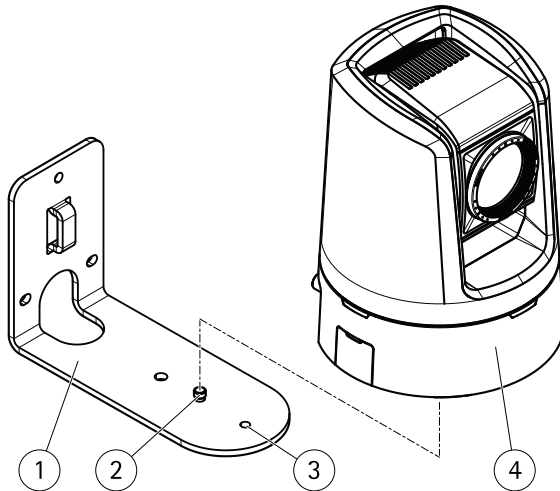
4. Branchez l'alimentation à une prise secteur (100–240 V CA).

Fixation murale

▲AVERTISSEMENT

Le poids cumulé de la caméra et du support de fixation est d'environ 1,7 kg (3,7 lb). Assurez-vous que le matériau du mur est assez solide pour supporter ce poids.

1. Le cas échéant, acheminez les câbles à travers le mur.
2. Installez le support de fixation sur un mur et assurez-vous que les vis et les fiches sont adaptées au matériau (p. ex., bois, métal, plaque de plâtre ou pierre).
3. Insérez la carte mémoire SD (en option).
4. Fixez la caméra sur le support de fixation et serrez les vis du trépied. Sinon, vous pouvez utiliser trou de fixation extérieur pour faire passer davantage de câble derrière la caméra.



- 1 Support de fixation
- 2 Vis de trépied
- 3 Trou de fixation extérieur
- 4 Caméra

5. Achetez et connectez tous les câbles à la caméra.

AVIS

Veillez à ne pas trop tendre ni trop plier les câbles. Cela risquerait d'endommager les câbles.

6. Pour éviter toute tension sur les connecteurs et les câbles, fixez tous les câbles au support de fixation à l'aide d'attaches de câble.
7. Branchez l'alimentation à une prise secteur (100–240 V CA).

Fixation au faux-plafond

⚠ AVERTISSEMENT

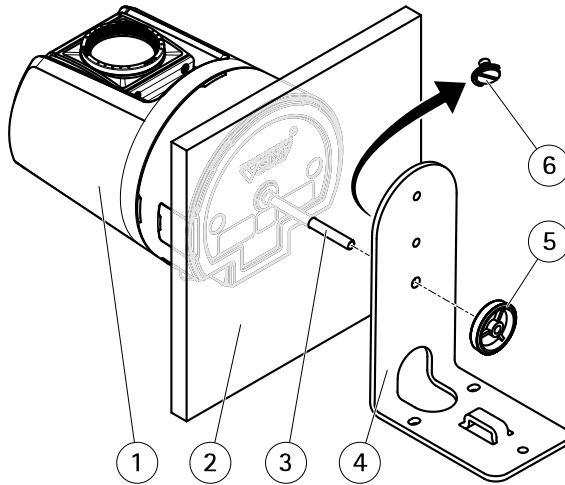
Le poids cumulé de la caméra et du support de fixation est d'environ 1,7 kg (3,7 lb). Assurez-vous que le matériau du plafond est assez solide pour supporter ce poids.

AVIS

L'épaisseur de la dalle du plafond doit être de 5 à 60 mm (0,2–2,4 po).

1. Insérez la carte mémoire SD (en option).
2. Retirez la dalle de plafond sur laquelle la fixation pour faux-plafond doit être montée.
3. Percez un trou de 7 mm (9/32 po) dans la dalle de plafond.
4. Retirez la vis du trépied du support de montage.
5. Fixez l'extrémité courte de la tige filetée à la caméra et serrez.

6. Assemblez la caméra, la dalle de plafond et le support de montage et serrez l'écrou.



- 1 Caméra
 2 Dalle de plafond
 3 Tige filetée
 4 Support de fixation
 5 Écrou
 6 Vis de trépied

7. Acheminez et connectez tous les câbles à la caméra.

AVIS

Veillez à ne pas trop tendre ni trop plier les câbles. Cela risquerait d'endommager les câbles.

8. Branchez l'alimentation à une prise secteur (100–240 V CA).
 9. Installez la dalle de plafond avec la caméra fixée dessus.

Connectez la caméra à un écran HDMI

La caméra peut être connectée à un écran HDMI et transmettre des données audio et vidéo à cet écran sans recourir à une connexion réseau.

Si l'écran est compatible avec la résolution maximale de la caméra, il suffit de brancher l'écran sans modifier les réglages.

Si la résolution maximale de l'écran ne correspond pas à celle de la caméra, le mode de capture de la caméra doit être modifié pour correspondre à la résolution de l'écran.

AXIS V59 Series

Allez à **Setup (Configuration) > Video and Audio (Vidéo et Audio) > Camera Settings (Paramètres de la caméra)** et sélectionnez un mode de capture correspondant à l'écran.

Note

Seuls les modes de capture contenant le terme **(HDMI)** peuvent être utilisés avec le connecteur HDMI.

Comment accéder au produit

Si vous souhaitez rechercher des produits Axis sur le réseau ou leur affecter des adresses IP sous Windows®, nous recommandons l'utilisation des applications AXIS IP Utility et AXIS Camera Management. Ces deux applications sont gratuites et peuvent être téléchargées depuis www.axis.com/support

Le produit peut être utilisé avec la plupart des systèmes d'exploitation et des navigateurs. Nous recommandons les navigateurs suivants :

- Internet Explorer® avec Windows®,
- Safari® avec OS X®
- Chrome™ ou Firefox® avec les autres systèmes d'exploitation.

Pour plus d'informations concernant l'utilisation du produit, consultez le manuel de l'utilisateur disponible sur le site www.axis.com

Comment réinitialiser les paramètres par défaut

Important

La réinitialisation aux paramètres par défaut doit être utilisée avec prudence. Cette opération reconfigure tous les paramètres, y compris l'adresse IP, aux valeurs d'usine par défaut.

Pour réinitialiser l'appareil aux paramètres d'usine par défaut :

1. Déconnectez l'alimentation de l'appareil.
2. Maintenez le bouton de commande enfoncé et remettez l'appareil sous tension.
3. Maintenez le bouton de commande enfoncé pendant 15 à 30 secondes, jusqu'à ce que le voyant d'état passe à l'orange et clignote.
4. Relâchez le bouton de commande. Le processus est terminé lorsque le voyant d'état passe au vert. Les paramètres d'usine par défaut de l'appareil ont été rétablis. En l'absence d'un serveur DHCP sur le réseau, l'adresse IP par défaut est 192.168.0.90.
5. Utilisez les outils d'installation et de gestion pour attribuer une adresse IP, configurez le mot de passe et accédez au flux de données vidéo.

Les logiciels d'installation et de gestion sont disponibles sur les pages d'assistance du site www.axis.com/support

Il est également possible de rétablir les paramètres d'usine à partir de l'interface Web. Accédez à **Setup > System Options > Maintenance (Configuration > Options du système > Maintenance)** et cliquez sur **Default (Défaut)**.

Informations complémentaires

- Pour la dernière version de ce document, consultez le site www.axis.com
- Le Manuel de l'utilisateur est disponible à l'adresse suivante : www.axis.com
- Pour vérifier si des mises à jour des logiciels sont disponibles pour votre appareil réseau, consultez le site www.axis.com/techsup.
- Pour en savoir plus sur les formations, les webinaires, les tutoriels et les guides, visitez le site www.axis.com/academy.

Caractéristiques techniques

Pour obtenir la dernière version de la fiche technique, rendez-vous sur www.axis.com > produit > Support et documentation.

Voyants

Voyant d'état	Indication
Éteint	Branchement et fonctionnement normal.
Vert	Vert et fixe pendant 10 secondes pour indiquer un fonctionnement normal après le démarrage.
Orange	Fixe pendant le démarrage. Clignote pendant les mises à niveau du microprogramme ou le rétablissement des valeurs par défaut configurées en usine.
Orange / Rouge	Clignote en orange/rouge en cas d'indisponibilité ou de perte de la connexion réseau.
Rouge	Échec de la mise à niveau du microprogramme.

Voyant d'alimentation du microphone	Indication
Éteint	Déconnecté de l'alimentation fantôme.
Bleu	Connecté à l'alimentation fantôme.

Note

- Le voyant de fonctionnement peut être configuré pour être allumé ou éteint pendant le fonctionnement normal. Pour ce faire, rendez-vous dans **Setup > System Options > Ports Et Devices > LED (Configuration > Options du système > Ports et dispositifs > DEL)**. Consultez l'aide en ligne pour plus d'informations.
- Le voyant de fonctionnement indique uniquement la transmission du réseau. Si le signal vidéo ou audio est transmis uniquement via un câble HDMI ou SDI, le voyant de fonctionnement reste éteint.

Voyant de fonctionnement	Indication
Éteint	Caméra inactive.
Rouge	Transmission ou enregistrement réseau actif.

Emplacement pour carte SD

AVIS

- La carte SD risque d'être endommagée. Ne pas utiliser d'outils tranchants ou d'objets métalliques et ne pas forcer lors de l'insertion ou du retrait de la carte SD. Utilisez vos doigts pour insérer et retirer la carte.
- Risque de perte de données et d'enregistrements corrompus. Ne retirez pas la carte SD tant que le produit est en fonctionnement. Débranchez l'alimentation ou démontez la carte SD des pages Web du produit avant de la retirer.

Cet appareil est compatible avec une carte SD/SDHC/SDXC (non incluse).

Pour obtenir des conseils sur la carte SD, rendez-vous sur www.axis.com

Boutons

Bouton de commande

Pour connaître l'emplacement du bouton de commande, consultez *Vue d'ensemble du produit* page 28.

Le bouton de commande permet de réaliser les opérations suivantes :

- Réinitialisation du produit aux paramètres d'usine par défaut. Cf. page 34.
- Connexion au service du Système d'hébergement vidéo AXIS ou au service AXIS Internet Dynamic DNS. Pour obtenir plus d'informations sur ces services, consultez le site www.axis.com.

Connecteurs

Connecteur BNC

Le connecteur BNC est utilisé pour connecter le matériel de diffusion à l'aide d'un câble SDI. Branchez un câble SDI coaxial de 75 Ohm.

⚠ ATTENTION

En fonctionnement normal dans des températures ambiantes élevées, il est possible que le connecteur chauffe.

Connecteur HDMI

Utilisez le connecteur HDMI™ pour connecter un écran ou un moniteur de visionnage public.

Connecteur réseau

Connecteur Ethernet RJ45.

AVIS

les réglementations locales ou les conditions environnementales et électriques dans lesquelles le produit est utilisé peuvent nécessiter l'utilisation d'un câble réseau blindé (STP). Tous les câbles réseau qui sont acheminés à l'extérieur ou dans des environnements électriques exigeants doivent être destinés à leur usage spécifique. Assurez-vous que les périphériques réseau sont installés conformément aux instructions du fabricant. Pour plus d'informations sur les exigences réglementaires, consultez *Electromagnetic compatibility (EMC)* on page 4.

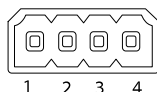
Connecteur d'E/S

Utilisez le connecteur d'E/S avec des périphériques externes, associés aux applications telles que les alarmes de détérioration, la détection de mouvement, le déclenchement d'événements et les notifications d'alarme. En plus du point de référence 0 V CC et de l'alimentation (sortie CC), le connecteur d'E/S fournit une interface aux éléments suivants :

Sortie numérique – Permet de connecter des dispositifs externes, comme des relais ou des voyants. Les appareils connectés peuvent être activés par l'interface de programmation VAPIX® ou dans les pages Web des produits.

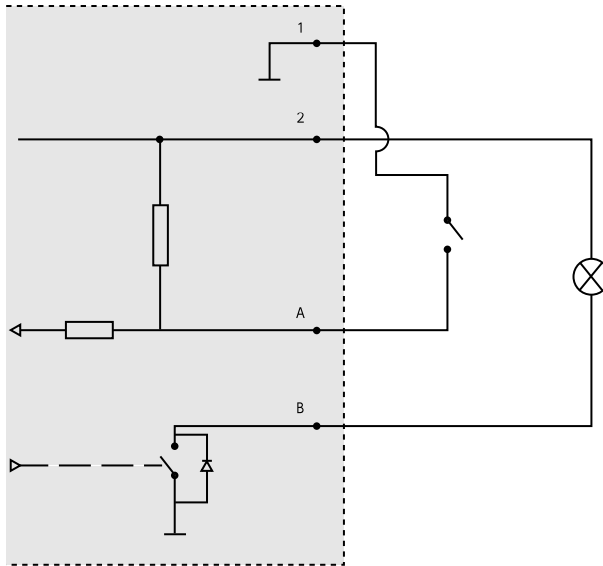
Entrée numérique – Pour connecter des dispositifs pouvant passer d'un circuit ouvert à un circuit fermé, par exemple capteurs infrarouge passifs, contacts de porte/fenêtre et détecteurs de bris de verre.

Bloc terminal à 4 broches



Fonction	B-roche	Remarques	Caractéristiques
0 V CC (-)	1	Masse CC	0 V CC
Sortie CC	2	Peut servir à alimenter le matériel auxiliaire. Remarque : cette broche ne peut être utilisée que comme sortie d'alimentation.	12 V CC Charge maximale = 50 mA

Configurable (entrée ou sortie)	3-4	Entrée numérique – Connectez-la à la broche 1 pour l'activer ou laissez-la flotter (déconnectée) pour la désactiver.	0 à 30 V CC
		Sortie numérique – Connectée à la broche 1 lorsqu'elle est activée, flotte (déconnectée) lorsqu'elle est désactivée. Si vous l'utilisez avec une charge inductive, par exemple un relais, une diode doit être connectée en parallèle avec la charge, en guise de protection contre les tensions transitoires.	0 à 30 V CC max., drain ouvert, 100 mA



- 1 0 V CC (-)
- 2 Sortie CC 12 V, maxi. 50 mA
- A Entrée/sortie configurée comme entrée
- B Entrée/sortie configurée comme sortie

Connecteur audio

Le produit Axis dispose des connecteurs audio suivants :

AXIS V59 Series

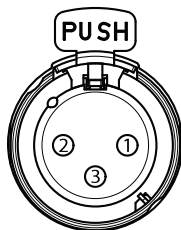
- **Entrée audio (rose)** – entrée de 3,5 mm pour microphone stéréo ou signal d'entrée stéréo.
- **Sortie audio** – sortie de 3,5 mm (niveau de ligne) qui peut être connectée à un système de sonorisation ou à un haut-parleur actif avec amplificateur intégré. Il est également possible de connecter un casque. Un connecteur stéréo doit être utilisé pour la sortie audio.
- **Gauche** – connecteur XLR trois broches pour une entrée audio symétrique. Utilisez le connecteur gauche pour le mono.
- **Droite** – connecteur XLR trois broches pour une entrée audio symétrique.

Connecteurs
audio 3,5 mm (stéréo)



	1 Pointe	2 Anneau	3 Manchon
Entrée audio	Entrée micro/ligne (gauche)	Entrée micro/ligne (droite)	Mise à la terre
Sortie audio	Sortie ligne (gauche)	Sortie de ligne (droite)	Masse

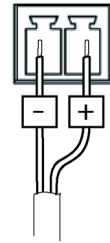
Connecteurs XLR 3
broches (symétriques)



Broche	1	2	3
Fonction	Mise à la terre	Entrée microphone symétrique positive	Entrée microphone symétrique négative

Connecteur d'alimentation

Bloc terminal à 2 broches pour l'alimentation CC. Utilisez une source d'alimentation limitée (LPS) conforme aux exigences de Très basse tension de sécurité (TBTS) dont la puissance de sortie nominale est limitée à ≤ 100 W ou dont le courant de sortie nominal est limité à ≤ 5 A.



Conditions d'utilisation

Le produit Axis est uniquement destiné à une utilisation en intérieur.

Produit	Classification	Température	Humidité
AXIS V5914	IEC60721-4-3 Classe 3K3, 3M3, C60529IP52	De 0 °C à 40 °C (32 °F à 104 °F)	Humidité relative de 10 à 85 %(sans condensation)
AXIS V5915			

Consommation d'énergie

AVIS

Utilisez une source d'alimentation limitée (LPS) dont la puissance de sortie nominale est limitée à ≤ 100 W ou dont le courant de sortie nominal est limité à ≤ 5 A.

Produit	CC
AXIS V5914	8–28 V CC, max. 21 W
AXIS V5915	8–28 V CC, max. 21 W

Informations sur la sécurité

Niveaux de risques

▲ DANGER

Indique une situation dangereuse qui, si elle n'est pas évitée, entraînera le décès ou des blessures graves.

▲ AVERTISSEMENT

Indique une situation dangereuse qui, si elle n'est pas évitée, pourrait entraîner le décès ou des blessures graves.

▲ ATTENTION

Indique une situation dangereuse qui, si elle n'est pas évitée, pourrait entraîner des blessures légères ou modérées.

AVIS

Indique une situation qui, si elle n'est pas évitée, pourrait endommager l'appareil.

Autres niveaux de message

Important

Indique les informations importantes, nécessaires pour assurer le bon fonctionnement de l'appareil.

Note

Indique les informations utiles qui permettront d'obtenir le fonctionnement optimal de l'appareil.

Consignes de sécurité

AVIS

- Le produit Axis doit être utilisé conformément aux lois et réglementations locales en vigueur.
- Axis recommande d'utiliser un câble réseau blindé (STP) CAT5 ou supérieur.
- Conserver ce produit Axis dans un environnement sec et ventilé.
- Ne pas exposer ce produit Axis aux chocs ou aux fortes pressions.
- Ne pas installer ce produit sur des poteaux, supports, surfaces ou murs instables.
- Utiliser uniquement des outils recommandés pour l'installation de l'appareil Axis. L'application d'une force excessive sur l'appareil avec des outils puissants pourrait l'endommager.
- Ne pas utiliser de produits chimiques, de substances caustiques ou de nettoyeurs pressurisés.
- Utiliser un chiffon propre imbibé d'eau pure pour le nettoyage.
- Utiliser uniquement des accessoires conformes aux caractéristiques techniques de votre produit. Ils peuvent être fournis par Axis ou un tiers. Axis recommande d'utiliser un équipement d'alimentation Axis compatible avec votre produit.
- Utiliser uniquement les pièces de rechange fournies ou recommandées par Axis.
- Ne pas essayer de réparer vous-même ce produit. Contacter l'assistance technique d'Axis ou votre revendeur Axis pour des problèmes liés à l'entretien.
- Évitez de pointer l'objectif de la caméra vers le soleil ou toute autre source de radiation de haute intensité. Cela risque d'endommager la caméra.

Transport

AVIS

- Lors du transport du produit Axis, utilisez l'emballage d'origine ou un équivalent pour éviter d'endommager le produit.

Batterie

Le produit Axis utilise une batterie au lithium CR2032 3,0 V comme alimentation de son horloge en temps réel interne (RTC). Dans des conditions normales, cette batterie a une durée de vie minimale de cinq ans.

Si la batterie est faible, le fonctionnement de l'horloge en temps réel peut être affecté et entraîner sa réinitialisation à chaque mise sous tension. Un message enregistré apparaît dans le rapport de serveur du produit lorsque la batterie doit être remplacée. Pour tout complément d'information

concernant le rapport de serveur, reportez-vous aux pages de Configuration du produit ou contactez l'assistance technique d'Axis.

La batterie doit être remplacée uniquement en cas de besoin, et pour ce faire, contactez l'assistance technique d'Axis à l'adresse www.axis.com/support et obtenir de l'aide.

Les piles boutons 3,0 V au lithium contiennent du 1,2-diméthoxyéthane, éthylène glycol diméthyl éther (EGDME), CAS N° 110-71-4.

FR

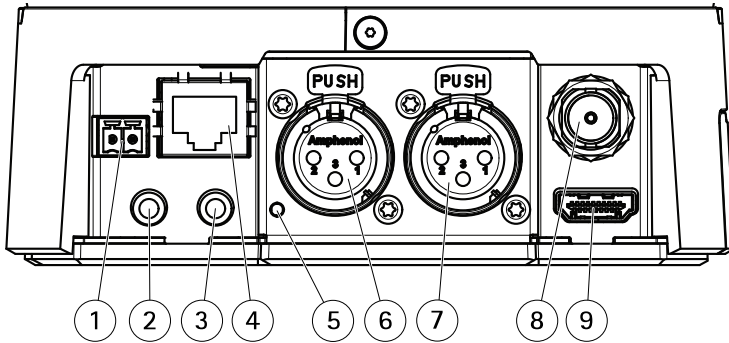
▲AVERTISSEMENT

- Risque d'explosion si la batterie est remplacée de façon incorrecte.
- Remplacez-la uniquement par une batterie identique ou une batterie recommandée par Axis.
- Mettez au rebut les batteries usagées conformément aux réglementations locales ou aux instructions du fabricant de la batterie.

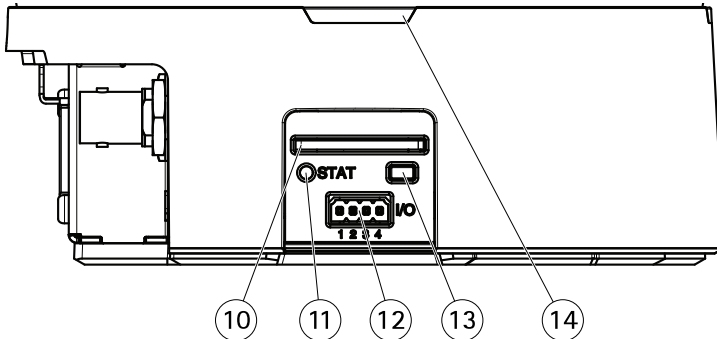
Lieferumfang

- AXIS V5914/V5915 Netzwerk-Kamera
- Netzteil mit Netzkabel
- Montagesatz für die Befestigung an Wänden und Decken
- E/A-Anschlussleiste
- Kabelbinder (2 St.)
- Gedruckte Dokumente
 - Installationsanleitung (dieses Dokument)
 - Zusätzliche Etiketten mit der Seriennummer (2 St.)
 - AVHS-Authentifizierungsschlüssel

Produktübersicht



- 1 Netzanschluss
- 2 3,5 mm, unsymmetrischer Audioeingang
- 3 3,5 mm, unsymmetrischer Audioausgang
- 4 Netzwerkanschluss
- 5 Netz-LED des Mikrofons (XLR)
- 6 XLR, symmetrischer Audioeingang (links)
- 7 XLR, symmetrischer Audioeingang (rechts)
- 8 BNC-Anschluss (SDI)
- 9 HDMI-Anschluss



- 10 SD-Karteneinschub (SDHC)
- 11 LED-Statusanzeige
- 12 E/A-Anschluss
- 13 Steuertaste
- 14 Tally-LED (3x)

Installieren des Produkts

Empfohlene Werkzeuge

- Bohrmaschine (für die Montage an Wänden und abgehängten Decken)

Die Hardware installieren

Die Kamera lässt sich auf drei Arten installieren:

HINWEIS

Die Kamera muss aufrecht oder über Kopf installiert werden. Eine seitliche oder angewinkelte Position ist nicht zulässig.

- Montage auf einer Tischplatte
- Montage an einer Wand, siehe *Wandmontage auf Seite 49*
- Montage an einer abgehängten Decke, siehe *Halterung für abgehängte Decken auf Seite 50*

So installieren Sie die Kamera auf einer Tischplatte:

1. Stellen Sie die Kamera auf eine Tischplatte oder eine andere horizontale Fläche. Stellen Sie sicher, dass die Oberfläche stabil ist.
2. Setzen Sie die SD-Speicherkarte ein (optional).
3. Schließen Sie die erforderlichen Kabel an die Kamera an.

HINWEIS

Achten Sie darauf, die Kabel nicht übermäßig zu dehnen oder zu biegen. Dadurch könnten die Kabel beschädigt werden.

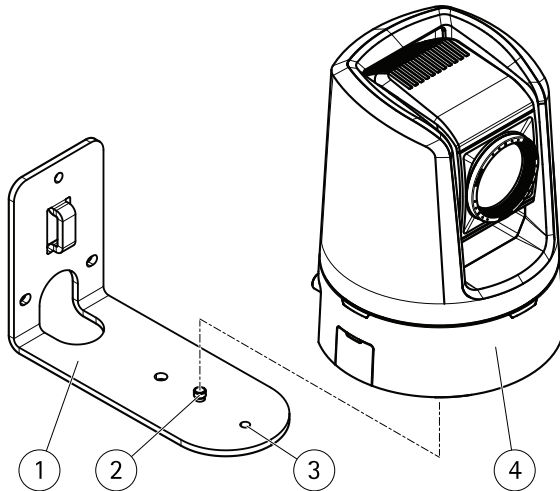
4. Schließen Sie das Netzteil an eine Netzsteckdose (100 bis 240 V AC) an.

Wandmontage

⚠️ WARNUNG

Das Gesamtgewicht von Kamera und Montagehalterung beträgt etwa 1,7 kg. Stellen Sie sicher, dass das Wandmaterial stabil genug ist, um dieses Gewicht zu tragen.

1. Führen Sie die Kabel ggf. durch die Wand.
2. Bringen Sie die Montagehalterung an einer Wand an. Stellen Sie sicher, dass Sie für das Material (z. B. Holz, Metall, Gipskarton, Stein) die geeigneten Schrauben und Dübel verwenden.
3. Setzen Sie die SD-Speicherkarte ein (optional).
4. Die Kamera an der Montagehalterung anbringen und die Stativschraube anziehen. Alternativ die äußere Montagebohrung verwenden, um hinter der Kamera mehr Platz für Kabel zu erhalten.



- 1 Montagehalterung
- 2 Stativschraube
- 3 Äußere Montagebohrung
- 4 Kamera

5. Sämtliche Kabel für die Kamera verlegen und anschließen.

HINWEIS

Die Kabel dabei nicht übermäßig dehnen oder biegen. Dadurch könnten die Kabel beschädigt werden.

6. Befestigen Sie alle Kabel mit Kabelbindern an der Montagehalterung, um eine Zugbelastung von Anschlüssen und Kabeln zu verhindern.
7. Schließen Sie das Netzteil an eine Netzsteckdose (100 bis 240 V AC) an.

Halterung für abgehängte Decken

⚠ WARNUNG

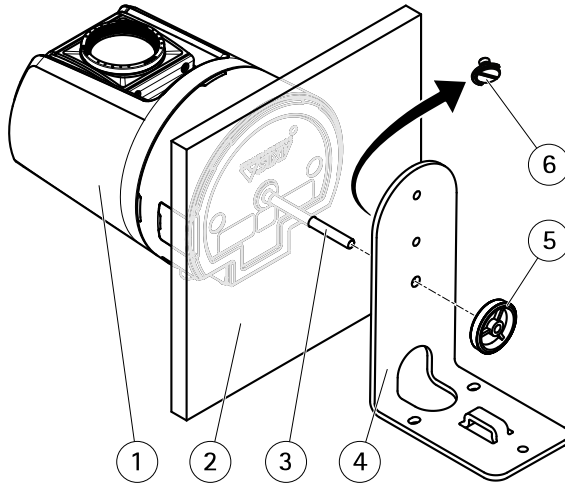
Das Gesamtgewicht von Kamera und Montagehalterung beträgt etwa 1,7 kg. Stellen Sie sicher, dass das Deckenmaterial stabil genug ist, um dieses Gewicht zu tragen.

HINWEIS

Die Deckenplatte sollte 5-60 mm dick sein.

1. Setzen Sie die SD-Speicherkarte ein (optional).
2. Entfernen Sie die Deckenplatte, in die die Halterung für abgehängte Decken eingelassen werden soll.
3. Bohren Sie in die Deckenplatte Loch mit 7 mm Durchmesser.

4. Entfernen Sie die Stativschraube von der Montagehalterung.
5. Schrauben Sie die kurze Seite der Gewindestange fest in die Kamera.
6. Bringen Sie die Kamera, die Deckenplatte sowie die Montagehalterung an und ziehen Sie die Mutter fest.



- 1 Kamera
- 2 Deckenplatte
- 3 Gewindestange
- 4 Montagehalterung
- 5 Mutter
- 6 Stativschraube

7. Verlegen Sie sämtliche Kabel für die Kamera, und schließen Sie diese an.

HINWEIS

Achten Sie darauf, die Kabel nicht übermäßig zu dehnen oder zu biegen. Dadurch könnten die Kabel beschädigt werden.

8. Schließen Sie das Netzteil an eine Netzsteckdose (100 bis 240 V AC) an.
9. Befestigen Sie die Deckenplatte mit der montierten Kamera.

Die Kamera an ein HDMI-Display anschließen

Die Kamera kann an ein HDMI-angeschlossen werden und ohne eine Netzwerkverbindung Audio- sowie Videodaten übertragen.

DE

AXIS V59 Series

Wenn das Display die maximale Auflösung der Kamera unterstützt, dieses anschließen, ohne Einstellungen anzupassen.

Wenn das Display die maximale Auflösung der Kamera nicht unterstützt, muss der Aufnahmemodus der Kamera an die Auflösung des Displays angepasst werden.

Setup (Einrichten) > Video and Audio (Video und Audio) > Camera Settings (Kameraeinstellungen) aufrufen und eine dem Display entsprechende Auflösung wählen.

Beachten

Der HDMI-Anschluss kann nur mit Aufnahmemodi verwendet werden, die im Namen **(HDMI)** führen.

Zugriff auf das Produkt

Für die Suche nach Axis Produkten im Netzwerk und zur Zuweisung einer IP-Adresse unter Windows® werden AXIS IP Utility und AXIS Camera Management empfohlen. Beide Anwendungen sind kostenlos und können von www.axis.com/support heruntergeladen werden.

Das Produkt ist mit den meisten Betriebssystemen und Browsern kompatibel. Empfohlen werden folgende Browser:

- Internet Explorer® unter Windows®
- Safari® unter OS X®
- Chrome™ oder Firefox® unter anderen Betriebssystemen

Weitere Informationen zur Nutzung dieses Produkts finden Sie im Benutzerhandbuch unter www.axis.com.

Zurücksetzen auf die werksseitigen Standardeinstellungen

Wichtig

Die Funktion zum Zurücksetzen auf die werksseitigen Standardeinstellungen sollte mit Vorsicht verwendet werden. Mit dieser Funktion werden alle Einstellungen einschließlich der IP-Adresse auf die werksseitigen Standardeinstellungen zurückgesetzt.

So wird das Produkt auf die werksseitigen Standardeinstellungen zurückgesetzt:

1. Trennen Sie das Produkt von der Stromversorgung.
2. Halten Sie die Steuertaste gedrückt und stecken Sie den Netzstecker wieder ein.
3. Die Steuertaste etwa 15 bis 30 Sekunden gedrückt halten, bis die LED-Statusanzeige gelb blinkt.
4. Lassen Sie die Steuertaste los. Der Vorgang ist abgeschlossen, wenn die LED-Statusanzeige grün leuchtet. Das Produkt wurde auf die Werkseinstellungen zurückgesetzt. Wenn kein DHCP-Server im Netzwerk verfügbar ist, lautet die Standard-IP-Adresse 192.168.0.90.
5. Verwenden Sie die Software-Tools für Installation und Verwaltung, um eine IP-Adresse zuzuweisen, ein Kennwort einzurichten und auf den Videostream zuzugreifen.

Die Software-Tools für Installation und Verwaltung sind über die Supportseiten unter www.axis.com/support verfügbar.

Die Parameter können auch über die Weboberfläche auf die Werkseinstellungen zurückgesetzt werden. Rufen Sie **Setup > System Options > Maintenance (Setup > Systemoptionen > Wartung)** auf und klicken Sie auf **Default (Standard)**.

Weitere Informationen

- Unter www.axis.com finden Sie die aktuelle Version dieses Dokuments.
- Das Benutzerhandbuch steht unter www.axis.com zur Verfügung.
- Unter www.axis.com/support finden Sie Firmware-Aktualisierungen für Ihre Produkte.
- Nützliche Onlineschulungen und Webinare finden Sie unter www.axis.com/academy.

Technische Daten

Die aktuelle Version der technischen Kenndaten finden Sie auf www.axis.com unter Product > Support & Documentation.

LEDs

Status-LED	Bedeutung
Leuchtet nicht	Anschluss und Normalbetrieb
Grün	Leuchtet bei Normalbetrieb nach Abschluss des Startvorgangs 10 Sekunden lang grün.
Gelb	Leuchtet beim Start. Blinkt während Firmware-Aktualisierung und Wiederherstellung der Werkseinstellungen.
Gelb/rot	Blinkt gelb/rot, wenn die Netzwerkverbindung nicht verfügbar ist oder unterbrochen wurde.
Rot	Fehler während der Firmware-Aktualisierung.

Netz-LED des Mikrofons	Bedeutung
Leuchtet nicht	Phantomspeisung deaktiviert.
Blau	Phantomspeisung aktiviert.

Beachten

- Die Tally-LED kann so eingestellt werden, dass sie während des Normalbetriebs leuchtet oder nicht leuchtet. Diese Konfiguration können Sie unter **Setup > System Options > Ports & Devices > LED (Setup > Systemoptionen > Ports & Geräte > LED)** einstellen. Weitere Informationen finden Sie in der Online-Hilfe.
- Die Tally-LED zeigt nur die Netzwerkübertragung an. Die Tally-LED leuchtet nicht, wenn Video oder Audio nur per HDMI oder SDI übertragen werden.

Tally-LED	Bedeutung
Leuchtet nicht	Kamera nicht aktiv.
Rot	Aktive Netzwerkübertragung bzw. Aufzeichnung.

SD-Karteneinschub

HINWEIS

- Gefahr von Schäden an der SD-Karte. Verwenden Sie beim Einlegen oder Entfernen der SD-Karte keine scharfen/spitzen Werkzeuge oder Gegenstände aus Metall und wenden Sie nicht zu viel Kraft an. Setzen Sie die Karte per Hand ein. Das Gleiche gilt für das Entfernen.

- Gefahr von Datenverlust und Beschädigung der Aufnahmen. Die SD-Karte darf nicht entfernt werden, während das Produkt in Betrieb ist. Trennen Sie die Stromversorgung oder deaktivieren Sie die SD-Karte vor dem Entfernen über die Webseite des Produkts.

Dieses Produkt unterstützt Karten des Typs SD/SDHC/SDXC (nicht im Lieferumfang enthalten).

Empfehlungen zu SD-Karten finden Sie unter www.axis.com.

Tasten

Steuertaste

Zur Lage der Steuertaste, siehe *Produktübersicht auf Seite 48*.

Die Steuertaste hat folgende Funktionen:

- Zurücksetzen des Produkts auf die Werkseinstellungen. Siehe *Seite 54*.
- Verbinden mit einem Dienst des Typs AXIS Video Hosting System oder des Typs AXIS Internet Dynamic DNS. Weitere Informationen zu diesen Diensten finden Sie auf www.axis.com.

Anschlüsse

BNC-Anschluss

Der BNC-Anschluss ist zum Anschließen von Übertragungsgeräten über SDI vorgesehen. Schließen Sie ein 75-Ohm-Koaxial-SDI-Kabel an.

▲VORSICHT

Der Anschluss ist bei Normalbetrieb in einer Umgebung mit erhöhter Temperatur unter Umständen heiß.

HDMI-Anschluss

Über den HDMI™-Anschluss werden Displays oder öffentliche Monitore angeschlossen.

Netzwerkanschluss

RJ45-Ethernetanschluss.

HINWEIS

Aufgrund örtlicher Vorschriften bzw. je nach Umgebung oder elektrischer Anlage, in/mit der das Produkt verwendet wird, kann ein abgeschirmtes Netzkabel (STP) empfehlenswert oder notwendig sein. Alle Netzkabel des Produkts, die im Außenbereich oder in anspruchsvollen elektrischen Umgebungen verlegt werden, müssen hierfür ausgelegt sein. Stellen Sie sicher, dass die Netzwerkgeräte gemäß den Anweisungen des Herstellers

installiert wurden. Informationen zu gesetzlichen Bestimmungen finden Sie unter *Electromagnetic compatibility (EMC) on page 4.*

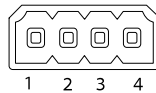
E/A-Anschlüsse

Über den E/A-Anschluss werden externe Geräte in Verbindung mit Manipulationsalarmen, Bewegungserkennung, Ereignisauslösung, Alarmbenachrichtigungen und anderen Funktionen angeschlossen. Abgesehen von 0 V DC-Bezugspunkt und Strom (Gleichstromausgang) verfügt der E/A-Anschluss über eine Schnittstelle zu:

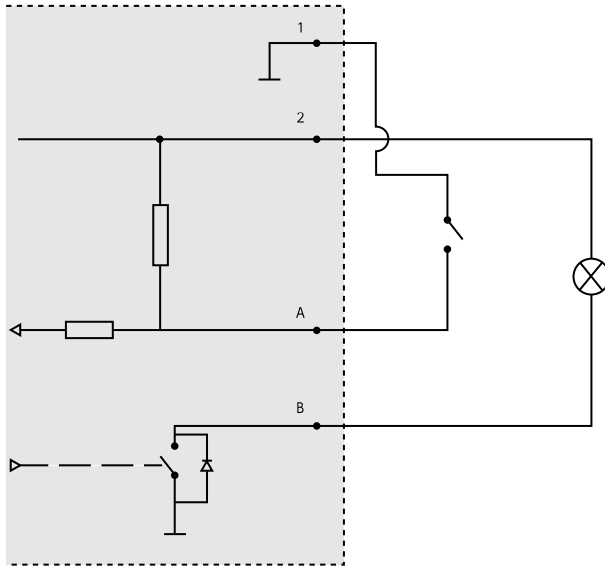
Digitalausgang – Zum Anschluss externer Geräte wie Relais und LEDs. Angeschlossene Geräte können über die VAPIX®-API (Application Programming Interface) oder über die Produktwebsite aktiviert werden.

Digitaleingang – Zum Anschluss von Geräten, die zwischen geöffnetem und geschlossenem Schaltkreis wechseln können, z. B. PIR-Sensoren, Tür-/Fensterkontakte und Glasbruchmelder.

4-poliger Anschlussblock



Funktion	Kontakt	Hinweise	Technische Daten
0 V DC (-)	1	Masse	0 V DC
DC-Ausgang	2	Kann für die Stromversorgung von Zusatzgeräten verwendet werden. Hinweis: Dieser Kontakt kann nur für den Stromausgang verwendet werden.	12 V DC Max. Stromstärke = 50 mA
Konfigurierbar (Eingang oder Ausgang)	3-4	Digitaleingang – zum Aktivieren mit Pin 1 verbinden; zum Deaktivieren nicht anschließen.	0 bis max. 30 V DC
		Digitalausgang – bei Aktivierung mit Pin 1 verbunden; wenn deaktiviert: frei (nicht verbunden). Bei Verwendung mit einer induktiven Last, z. B. einem Relais, muss parallel zur Last zum Schutz vor Spannungsspitzen eine Diode zwischengeschaltet werden.	0 bis max. 30 V DC, Open Drain, 100 mA



- 1 0 VDC (-)
- 2 DC-Ausgang 12 V, max. 50 mA
- A E/A als Eingang konfiguriert
- B E/A als Ausgang konfiguriert

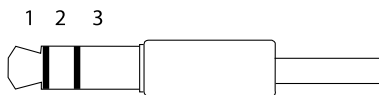
DE

Audioanschlüsse

Das Axis-Produkt ist mit den folgenden Audioanschlüssen ausgestattet:

- **Audioeingang** – 3,5 mm, für ein Stereomikrofon oder ein Stereosignal.
- **Audioausgang** – 3,5-mm-Audioausgang (Leitungspegel) zum Anschluss an eine Beschallungsanlage (PA) oder einen Aktivlautsprecher mit integriertem Verstärker. Auch ein Kopfhörer kann angeschlossen werden. Für den Audioausgang muss ein Stereostecker verwendet werden.
- **Links** – 3-poliger XLR-Anschluss für symmetrischen Audioeingang. Verwenden Sie den linken Anschluss für Mono.
- **Rechts** – 3-poliger XLR-Anschluss für symmetrischen Audioeingang.

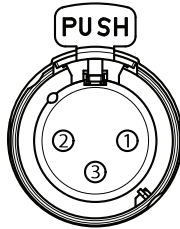
Audioanschlüsse
(Stereo), 3,5 mm



AXIS V59 Series

	1 Spitze	2 Ring	3 Schaft
Audioeingang	Mikrofon-/Leitungseingang (links)	Mikrofon-/Leitungseingang (rechts)	Masse
Audioausgang	Leitungsausgang (links)	Leitungsausgang (rechts)	Masse

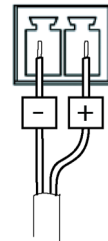
3-polige XLR-Anschlüsse (symmetrisch)



Kontakt	1	2	3
Funktion	Masse	Symmetrischer Mikrofoneingang Plus (+)	Symmetrischer Mikrofoneingang Minus (-)

Netzanschluss

2-poliger Anschlussblock für die Gleichstromversorgung. Verwenden Sie eine mit den Anforderungen für Schutzkleinspannung (SELV) kompatible Stromquelle mit begrenzter Leistung (LPS) mit einer Nennausgangsleistung von ≤ 100 W oder einem dauerhaft auf ≤ 5 A begrenzten Nennausgangsstrom.



Betriebsbedingungen

Das Axis Produkt ist für die Verwendung im Innenbereich konzipiert.

Produkt	Klassifikation	Temperatur	Luftfeuchtigkeit
AXIS V5914	IEC60721-4-3 Klasse 3K3, 3M3, C60529IP52	0 bis 40 °C	10–85 %rF (nicht kondensierend)
AXIS V5915			

Leistungsaufnahme

HINWEIS

Eine Stromquelle mit begrenzter Leistung (LPS) verwenden. Entweder mit einer Nennausgangsleistung von ≤ 100 W oder mit einem dauerhaft auf ≤ 5 A begrenzten Nennausgangsstrom.

Produkt	Gleichstrom
AXIS V5914	8 V bis 28 V Gleichstrom, max. 21 W
AXIS V5915	8 V bis 28 V Gleichstrom, max. 21 W

Sicherheitsinformationen

Gefährdungsstufen

▲GEFAHR

Weist auf eine gefährliche Situation hin, welche zum Tod oder zu schweren Verletzungen führt.

▲WARNUNG

Weist auf eine gefährliche Situation hin, welche, falls nicht verhindert, zu Tod oder schweren Verletzungen führen kann.

▲VORSICHT

Weist auf eine gefährliche Situation hin, welche, falls nicht verhindert, zu geringfügiger oder mäßiger Verletzung führen kann.

HINWEIS

Weist auf eine gefährliche Situation hin, welche, falls nicht verhindert, zu Sachschäden führen kann.

DE

Weitere Nachrichtenstufen

Wichtig

Weist auf wichtige Informationen hin, die den richtigen Betrieb des Produkts gewährleisten.

Beachten

Weist auf nützliche Informationen hin, die die optimale Verwendung des Produkts unterstützen.

Sicherheitsanweisungen

HINWEIS

- Das Axis Produkt muss unter Beachtung der örtlich geltenden Gesetze und Bestimmungen benutzt werden.
- Axis empfiehlt die Verwendung eines abgeschirmten Netzwerkkabels (STP) der Kategorie 5 oder höher.
- Lagern Sie das Axis Produkt in einer trockenen und belüfteten Umgebung.
- Achten Sie darauf, dass das Axis Produkt weder Stößen noch starkem Druck ausgesetzt ist.
- Installieren Sie das Produkt nicht an instabilen Masten, Halterungen, Oberflächen oder Wänden.
- Verwenden Sie bei der Installation des Axis Produkts ausschließlich passende Werkzeuge. Ein zu großer Kraftaufwand mit elektrischen Werkzeugen kann das Produkt beschädigen.
- Verwenden Sie keine chemischen, ätzenden oder aerosolhaltigen Reinigungsmittel.
- Verwenden Sie zum Reinigen ein sauberes, mit destilliertem Wasser angefeuchtetes Tuch.
- Verwenden Sie nur Zubehör, das den technischen Vorgaben Ihres Produkts entspricht. Dieses ist von Axis oder Drittanbietern erhältlich. Axis empfiehlt die mit Ihrem Produkt kompatible Stromversorgung von Axis.
- Verwenden Sie ausschließlich Ersatzteile die von Axis angeboten oder empfohlen werden.
- Versuchen Sie nicht, dieses Produkt selbsttätig zu reparieren. Wenden Sie sich bezüglich Reparatur und Wartung an den Axis Support oder Ihren Axis Händler.
- Richten Sie das Kameraobjektiv nicht direkt auf die Sonne oder andere starke Lichtquellen, um eine Beschädigung der Kamera zu vermeiden.

Transport

HINWEIS

- Bei Bedarf transportieren Sie das Axis Produkt in der Originalverpackung oder einer entsprechenden Verpackung, so dass Schäden vermieden werden.

Batterie

Das Axis-Produkt ist mit einer 3,0 V-CR2032-Lithium-Batterie ausgestattet, mit der die interne Echtzeituhr (RTC) versorgt wird. Unter normalen Bedingungen hat die Batterie eine Lebensdauer von mindestens fünf Jahren.

Bei entladener Batterie ist der Betrieb der Echtzeituhr nicht mehr gewährleistet, sodass die Uhr bei jedem Systemstart zurückgesetzt wird. Sie erhalten eine Protokollnachricht im Serverbericht des Produkts, wenn ein Batteriewechsel erforderlich ist. Weitere Informationen über den Serverbericht finden Sie auf den Setup-Seiten des Produkts, oder wenden Sie sich an den Axis Support.

Die Batterie sollte nur bei Bedarf ersetzt werden. Wenden Sie sich in diesem Fall unter www.axis.com/support an den Axis-Support.

Lithium-Knopfzellen (3,0 V) enthalten 1,2-Dimethoxyethan; Ethylenglycoldimethylether (EGDME), CAS-Nr. 110-71-4.

⚠️ WARNUNG

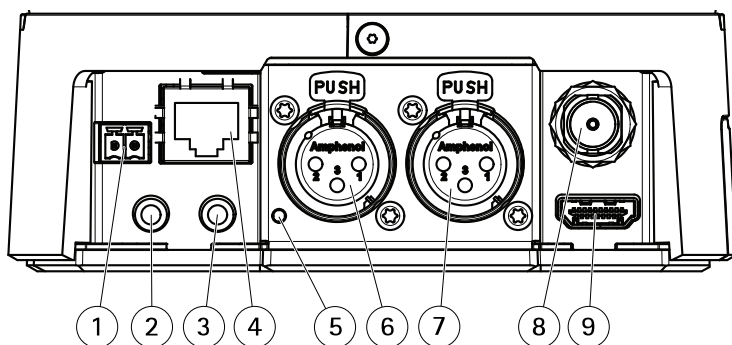
- Explosionsgefahr bei fehlerhaftem Batteriewechsel.
- Die Batterie darf nur durch eine identische Batterie oder eine von Axis empfohlene Batterie ersetzt werden.
- Verbrauchte Batterien sind gemäß den örtlichen Vorschriften oder den Anweisungen des Herstellers zu entsorgen.

DE

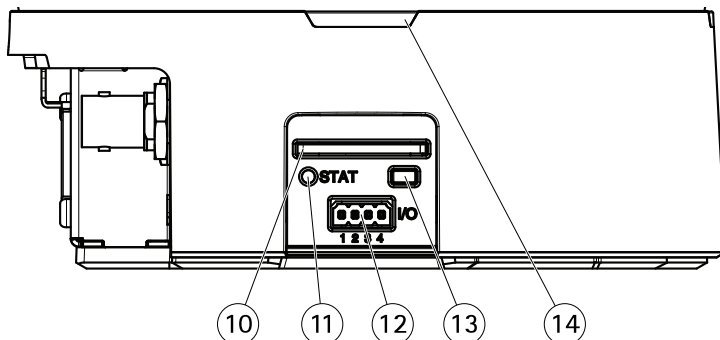
Contenuto della confezione

- Telecamera di rete AXIS V5914/V5915
- Alimentatore con cavo di rete
- Kit di montaggio per soffitti e pareti
- Connettore terminale per I/O
- Fascetta stringicavo (2x)
- Documentazione
 - Guida all'installazione (questo documento)
 - Etichetta aggiuntiva con numero di serie (2)
 - Chiave di autenticazione AVHS

Panoramica del dispositivo



- 1 Connettore di alimentazione
- 2 3,5 mm, ingresso audio non bilanciato
- 3 3,5 mm, uscita audio non bilanciato
- 4 Connettore di rete
- 5 LED alimentazione del microfono (XLR)
- 6 XLR, ingresso audio bilanciato (sinistra)
- 7 XLR, ingresso audio bilanciato (destra)
- 8 Connettore BNC (SDI)
- 9 Connettore HDMI



- 10 Slot per scheda SD (SDHC)
- 11 Indicatore LED di stato
- 12 Connettore I/O
- 13 Pulsante di comando
- 14 LED di stato (3x)

Come installare il dispositivo

Strumenti consigliati

- Trapano: in caso di montaggio a parete o a soffitto

Installazione dell'hardware

Sono disponibili tre modi per installare la telecamera:

AVISO

La telecamera può essere installata dritta o capovolta, ma non su un lato o in un angolo.

- Verticale su un tavolo.
- Sospesa a parete, vedere *Montaggio a parete alla pagina 69*
- Sospesa da controsoffitto, vedere *Montaggio a controsoffitto alla pagina 70*

Per installare la telecamera su un tavolo:

1. Posizionare la telecamera su tavolo o altra superficie orizzontale. Assicurarsi che la superficie sia stabile.
2. Inserire la scheda di memoria SD (opzionale).
3. Collegare i cavi necessari alla telecamera.

AVISO

Fare attenzione a non tirare o piegare eccessivamente i cavi, in quanto si potrebbero danneggiare.

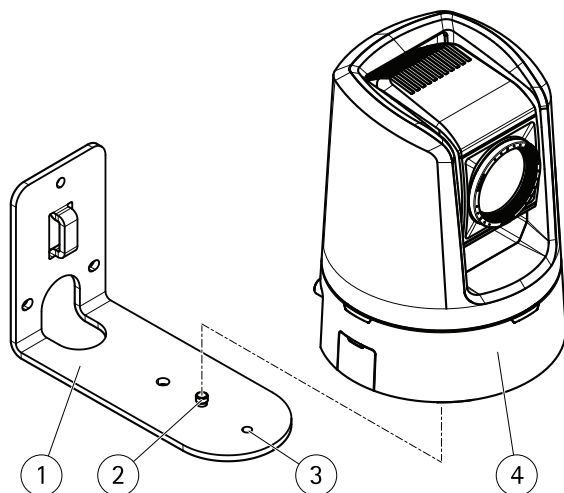
4. Collegare l'alimentatore ad una presa di alimentazione di rete (100–240 VCA).

Montaggio a parete

⚠AVVERTENZA

Il peso totale della telecamera e della staffa di montaggio è di circa 1,7 kg (3,7 lb). Assicurarsi che il materiale della parete sia abbastanza solido per sostenere questo peso.

1. Se necessario, installare i cavi attraverso la parete.
2. Installare la staffa di montaggio su una parete e assicurarsi che le viti e i connettori siano appropriati per il materiale (ad esempio legno, metallo, cartongesso, pietra).
3. Inserire la scheda di memoria SD (opzionale).
4. Montare la telecamera sulla staffa e serrare la vite del treppiedi. In alternativa, utilizzare il foro di montaggio esterno per consentire il montaggio di più cavi dietro la telecamera.



- 1 Staffa di montaggio
- 2 Vite del treppiedi
- 3 Foro di montaggio esterno
- 4 Telecamera

5. Posizionare e collegare tutti i cavi alla telecamera.

AWISO

Fare attenzione a non tirare o piegare eccessivamente i cavi, in quanto si potrebbero danneggiare.

6. Per evitare tensione sui connettori e sui cavi, serrare tutti i cavi alla staffa di montaggio con le fascette stringicavo.
7. Collegare l'alimentatore ad una presa di alimentazione di rete (100–240 VCA).

Montaggio a controsoffitto

AVVERTENZA

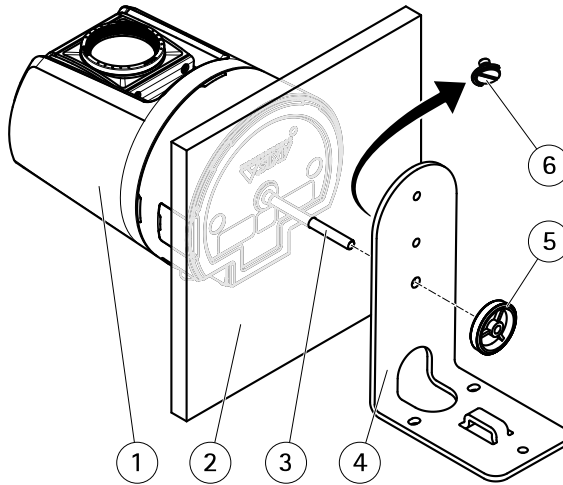
Il peso totale della telecamera e della staffa di montaggio è di circa 1,7 kg (3,7 lb). Assicurarsi che il materiale del soffitto sia abbastanza solido per sostenere questo peso.

AWISO

Il pannello del soffitto dovrebbe essere spesso da 5 a 60 mm (0,2–2,4 pollici).

1. Inserire la scheda di memoria SD (opzionale).
2. Rimuovere il pannello del soffitto in cui deve essere montato il controsoffitto.
3. Creare un foro da 7 mm (9/32 pollici) nel pannello del soffitto.
4. Rimuovere la vite del treppiedi dalla staffa di montaggio.

5. Collegare l'estremità breve dell'asta filettata alla telecamera e stringere.
6. Montare la telecamera, il pannello del soffitto e la staffa di montaggio, quindi serrare il dado.



- 1 *Telecamera*
- 2 *Pannello del soffitto*
- 3 *Asta filettata*
- 4 *Staffa di montaggio*
- 5 *Dado*
- 6 *Vite del treppiedi*

7. Posizionare e collegare tutti i cavi alla telecamera.

AVVISO

Fare attenzione a non tirare o piegare eccessivamente i cavi, in quanto si potrebbero danneggiare.

8. Collegare l'alimentatore ad una presa di alimentazione di rete (100–240 VCA).
9. Installare il pannello del soffitto con la telecamera montata su di esso.

Collegare la telecamera a uno schermo HDMI

La telecamera può essere collegata a uno schermo HDMI e trasmettere audio e video a quello schermo senza una connessione di rete.

Se lo schermo supporta la risoluzione massima della telecamera, collegare lo schermo senza regolare le impostazioni.

AXIS V59 Series

Se la massima risoluzione dello schermo non corrisponde a quella della telecamera, è necessario modificare la modalità di acquisizione della telecamera in modo che corrisponda alla risoluzione dello schermo.

Andare a **Setup (Configurazione) > Video and Audio (Video e audio) > Camera Settings (Impostazioni telecamera)** e selezionare una modalità di acquisizione che corrisponda allo schermo.

Nota

Solo le modalità di acquisizione contenenti il testo **(HDMI) (HDMI)** possono essere utilizzate con il connettore HDMI.

Come accedere al dispositivo

AXIS IP Utility e AXIS Camera Management sono i metodi consigliati per trovare i dispositivi Axis in rete e assegnare loro un indirizzo IP in Windows®. Queste applicazioni sono entrambe gratuite e possono essere scaricate da www.axis.com/support

Il dispositivo può essere utilizzato con la maggior parte dei sistemi operativi e dei browser. I browser consigliati sono i seguenti:

- Internet Explorer® con Windows®
- Safari® con OS X®
- Chrome™ o Firefox® con altri sistemi operativi.

Per ulteriori informazioni sull'utilizzo del dispositivo, consultare la guida per l'utente disponibile sul sito Web www.axis.com

Modalità di ripristino dei valori predefiniti di fabbrica

Importante

Il ripristino dei valori predefiniti di fabbrica deve essere utilizzato con cautela. Tale operazione consentirà di ripristinare le impostazioni predefinite di fabbrica per tutti i parametri, incluso l'indirizzo IP.

Per ripristinare il dispositivo alle impostazioni predefinite di fabbrica:

1. Scollegare l'alimentazione dal dispositivo.
2. Tenere premuto il pulsante di comando e ricollegare l'alimentazione.
3. Tenere premuto il pulsante di comando per 15-30 secondi fino a quando l'indicatore LED di stato lampeggerà in giallo.
4. Rilasciare il pulsante di comando. Il processo è completo quando l'indicatore del LED di stato diventerà verde. Il dispositivo è stato reimpostato alle impostazioni di fabbrica predefinite. Se nessun server DHCP è disponibile in rete, l'indirizzo IP predefinito è 192.168.0.90.
5. Mediante gli strumenti per l'installazione e la gestione del software, assegnare un indirizzo IP, impostare la password e accedere al flusso video.

Gli strumenti per l'installazione e la gestione del software sono disponibili nelle pagine dedicate all'assistenza sul sito Web www.axis.com/support.

È anche possibile reimpostare i parametri alle impostazioni predefinite di fabbrica mediante l'interfaccia Web. Andare a **Setup > System Options > Maintenance (Configurazione > Opzioni di sistema > Manutenzione)** e fare clic su **Default (Predefinito)**.

Ulteriori Informazioni

- Per la versione più recente di questo documento, visitare il sito all'indirizzo www.axis.com
- Il manuale per l'utente è disponibile all'indirizzo www.axis.com
- Per verificare se sono stati pubblicati aggiornamenti del firmware per il proprio dispositivo, vedere www.axis.com/support
- Per servizi di formazione utili e webinar, visita il sito www.axis.com/academy

Specifiche tecniche

Per la versione più aggiornata della scheda tecnica, visitare il sito www.axis.com > prodotto > Supporto e documentazione.

Indicatori LED

LED di stato	Indicazione
Spento	Connessione e funzionamento normale.
Verde	Una luce verde fissa per 10 secondi indica il normale funzionamento una volta completato l'avvio.
Giallo	Luce fissa durante l'avvio. Lampeggia durante l'aggiornamento del firmware o il ripristino delle impostazioni predefinite.
Giallo/rosso	Lampeggia in giallo/rosso se il collegamento di rete non è disponibile o è stato perso.
Rosso	Errore durante l'aggiornamento del firmware.

LED alimentazione del microfono	Indicazione
Spento	Alimentazione virtuale spenta.
Blu	Alimentazione virtuale accesa.

Nota

- Il LED di stato può essere configurato per essere acceso o spento durante il normale funzionamento. Per configurarlo, selezionare **Setup > System Options > Ports & Devices > LED (Configurazione > Opzioni di sistema > Porte & Dispositivi > LED)**. Per ulteriori informazioni, consultare l'aiuto in linea.
- Il LED di stato indica solo la trasmissione di rete. Se l'audio o il video vengono trasmessi solo tramite HDMI o SDI il LED di stato verrà spento.

LED di stato	Indicazione
Spento	Telecamera non attiva.
Rosso	Trasmissione di rete attiva o registrazione.

Slot per scheda SD

AVVISO

- Rischio di danneggiamento della scheda di memoria. Non utilizzare strumenti appuntiti oppure oggetti metallici e non esercitare eccessiva forza durante l'inserimento o la rimozione della scheda di memoria. Utilizzare le dita per inserire e rimuovere la scheda.
- Rischio di perdita di dati e danneggiamento delle registrazioni. Non rimuovere la scheda di memoria mentre il dispositivo è in funzione. Scollegare l'alimentazione oppure smontare la scheda di memoria dalle pagine Web del dispositivo prima di rimuoverla.

Questo dispositivo supporta schede di memoria SD/SDHC/SDXC (non incluse).

Per i consigli sulla scheda SD, visitare il sito Web www.axis.com.

Pulsanti

Pulsante di comando

Per l'ubicazione del pulsante di comando, vedere *Panoramica del dispositivo alla pagina 68*.

Il pulsante di comando viene utilizzato per:

- Ripristino del dispositivo alle impostazioni predefinite di fabbrica. Consultare *pagina 74*.
- Collegamento a un servizio AXIS Video Hosting System o AXIS Internet Dynamic DNS Service. Per ulteriori informazioni su tali servizi, vedere www.axis.com.

Connettori

Connettore BNC

Il connettore BNC consente di collegare dispositivi di trasmissione tramite SDI. Collegare un cavo SDI coassiale da 75 Ohm.

ATTENZIONE

Il connettore potrebbe essere caldo durante il normale funzionamento a temperature elevate.

Connettore HDMI

Utilizzare il connettore HDMI™ per collegare uno schermo o un monitor dedicato alla visualizzazione pubblica.

Connettore di rete

Connettore Ethernet RJ45.

AWISO

A causa di normative locali o condizioni ambientali ed elettriche in cui il dispositivo deve essere utilizzato, può essere opportuno o necessario l'utilizzo di un cavo di rete schermato (STP). Tutti i cavi di rete del dispositivo posizionati all'aperto o in ambienti elettrici in condizioni difficili sono destinati al loro uso specifico. Accertarsi che i dispositivi di rete siano installati secondo le istruzioni del produttore. Per maggiori informazioni sui requisiti normativi, consultare *Electromagnetic compatibility (EMC) on page 4*.

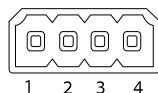
Connettori I/O

Utilizzare il connettore I/O con dispositivi esterni in combinazione con, ad esempio, allarmi antimanomissione, rilevamento movimento, attivazione di eventi e notifiche di allarme. Oltre al punto di riferimento 0 V CC e all'alimentazione (uscita CC), il connettore I/O fornisce l'interfaccia per:

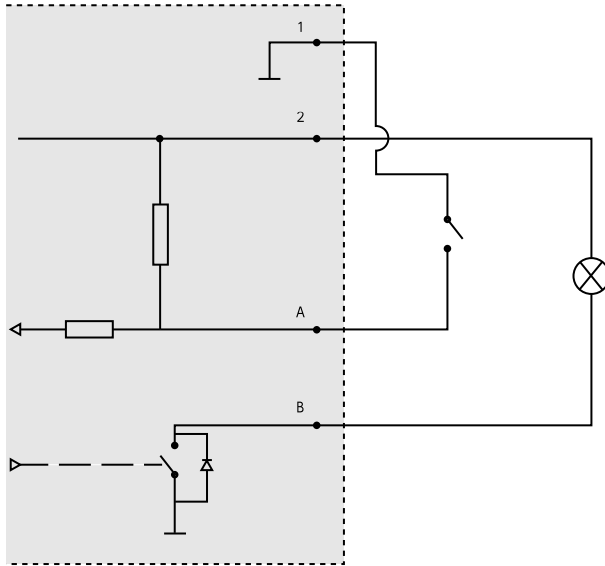
Uscita digitale – Per collegare dispositivi esterni come relè o LED. I dispositivi collegati possono essere attivati tramite l'API (interfaccia per la programmazione di applicazioni) VAPIX® oppure nella pagina Web del dispositivo.

Ingresso digitale – Per collegare i dispositivi che possono passare dal circuito chiuso al circuito aperto, ad esempio i sensori PIR, i contatti porta/finestra e i rilevatori di rottura.

Morsettiera a 4 pin



Funzione	Pin	Note	Specifiche
0 V CC (-)	1	Terra CC	0 V CC
Uscita CC	2	Può essere utilizzato per alimentare una periferica ausiliaria. Nota: questo pin può essere usato solo come uscita alimentazione.	12 V CC Carico massimo = 50 mA
Configurabile (ingresso o uscita)	3-4	Ingresso digitale – collegare al pin 1 per attivarlo oppure lasciarlo isolato (scollegato) per disattivarlo.	da 0 a max 30 V CC
		Uscita digitale – Collegare al pin 1 quando attiva, isolata (scollegata) quando inattiva. Se utilizzata con un carico induttivo, ad esempio un relè esterno, è necessario collegare un diodo in parallelo al carico per proteggere il dispositivo da sovratensioni.	Da 0 a max 30 V CC, open-drain, 100 mA



- 1 0 VCC (-)
- 2 Uscita CC 12 V, max 50 mA
- A I/O configurato come ingresso
- B I/O configurato come uscita

IT

Connettore audio

Il dispositivo Axis dispone dei seguenti connettori audio:

- **Ingresso audio:** input da 3,5 mm per microfono stereo o segnale stereo ingresso linea.
- **Uscita audio:** 3,5 mm (di linea) che è possibile collegare a un sistema di indirizzo pubblico (PA) o a un altoparlante con amplificatore integrato. È possibile anche collegare un paio di cuffie. Per l'uscita audio è necessario usare un connettore stereo.
- **Sinistra:** connettore XLR a 3 pin per ingresso audio bilanciato. Utilizzare il connettore sinistro per mono.
- **Destra:** connettore XLR a 3 pin per ingresso audio bilanciato.

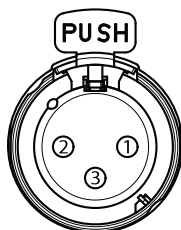
Connettori audio da 3,5 mm (stereo)



AXIS V59 Series

	1 Punta	2 Anello	3 Guaina
Ingresso audio	Ingresso microfono/linea (sinistra)	Ingresso microfono/linea (destra)	Terra
Uscita audio	Uscita linea (sinistra)	Uscita linea (destra)	Terra

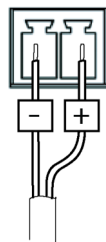
Connettori XLR a 3 pin (bilanciati)



Pin	1	2	3
Funzione	Terra	Ingresso microfono bilanciato caldo (+)	Ingresso microfono bilanciato freddo (-)

Connettore di alimentazione

Morsettiere a 2 pin per ingresso alimentazione CC. Utilizzare una sorgente di alimentazione limitata (LPS) compatibile con una bassissima tensione di sicurezza (SELV) con una potenza di uscita nominale limitata a ≤ 100 W o una corrente nominale di uscita limitata a ≤ 5 A.



Condizioni di funzionamento

Il dispositivo Axis è destinato all'uso in ambienti interni.

Dispositivo	Classificazione	Temperatura	Umidità
AXIS V5914	IEC60721-4-3 Classe 3K3, 3M3, C60529IP52	da 0°C a 40°C (da 32°F a 104°F)	10-85% (umidità relativa senza condensa)
AXIS V5915			

Consumo energetico

AVVISO

Utilizzare una sorgente di alimentazione limitata (LPS) sia con una potenza di uscita nominale limitata a ≤ 100 W o una corrente nominale di uscita limitata a ≤ 5 A.

Dispositivo	CC
AXIS V5914	8–28 V CC, max. 21 W
AXIS V5915	8–28 V CC, max. 21 W

Informazioni di sicurezza

Livelli di pericolo

▲PERICOLO

Indica una situazione pericolosa che, se non evitata, provoca morte o lesioni gravi.

▲AVVERTENZA

Indica una situazione pericolosa che, se non evitata, potrebbe provocare la morte o lesioni gravi.

▲ATTENZIONE

Indica una situazione pericolosa che, se non evitata, potrebbe provocare lesioni medie o minori.

AWISO

Indica una situazione che, se non evitata, potrebbe danneggiare la proprietà.

IT

Altri livelli di messaggio

Importante

Indica informazioni importanti, essenziali per il corretto funzionamento del dispositivo.

Nota

Indica informazioni utili che aiutano a ottenere il massimo dal dispositivo.

Informazioni di sicurezza

AWISO

- Il dispositivo Axis deve essere utilizzato in conformità alle leggi e alle disposizioni locali.
- Axis consiglia l'uso di un cavo di rete schermato (STP) CAT5 o superiore.
- Conservare il dispositivo Axis in un ambiente asciutto e ventilato.
- Evitare di esporre il dispositivo Axis a urti o pressioni eccessive.
- Non installare il dispositivo su supporti, superfici, pareti o pali instabili.
- Utilizzare solo strumenti applicabili quando si installa il dispositivo Axis. Se si utilizza una forza eccessiva con strumenti non adatti è possibile causare danni al dispositivo.
- Non utilizzare sostanze chimiche, agenti caustici o detergenti aerosol.
- Utilizzare un panno pulito inumidito in acqua pura per la pulizia.
- Utilizzare solo accessori compatibili con le specifiche tecniche del dispositivo. Questi possono essere forniti da Axis o da terze parti. Axis consiglia l'uso dell'apparecchiatura di alimentazione Axis compatibile con il dispositivo.
- Utilizzare solo parti di ricambio fornite o consigliate da Axis.
- Non tentare di riparare il dispositivo da soli. Contattare l'assistenza o il rivenditore Axis per questioni relative alla manutenzione.
- Non rivolgere l'obiettivo della telecamera verso il sole o altre sorgenti di radiazioni molto intense poiché si potrebbe danneggiare la telecamera.

Trasporto

AWISO

- Durante il trasporto del dispositivo Axis, utilizzare l'imballaggio originale o equivalente per evitare danni al dispositivo.

Batteria

Il dispositivo Axis utilizza una batteria al litio da 3,0 V CR2032 come alimentazione per il suo real-time clock (RTC) interno. In condizioni normali questa batteria avrà una durata minima di cinque anni.

Una bassa carica della batteria influisce sul funzionamento del RTC, facendolo resettare a ogni accensione. Quando la batteria deve essere sostituita, un messaggio di registro viene visualizzato nel report server del dispositivo. Per ulteriori informazioni sul report server, vedere le pagine di configurazione del dispositivo o contattare l'assistenza Axis.

La batteria non deve essere sostituita se non richiesto, ma nel caso in cui questo fosse necessario, contattare il supporto Axis all'indirizzo www.axis.com/support per assistenza.

Batteria a bottone al litio 3,0 V contengono 1,2-dimetossietano; etere dimetilico di glicole etilenico (EGDME), CAS n. 110-71-4.

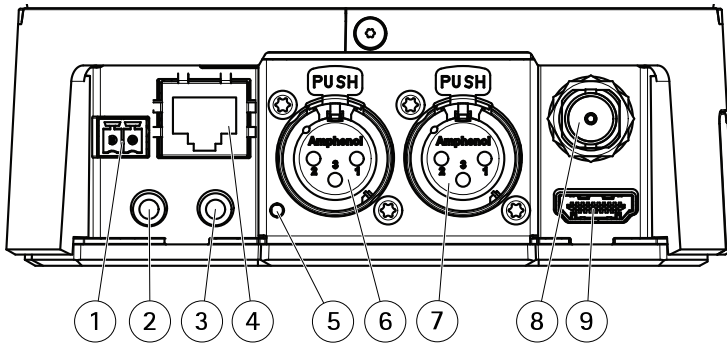
▲AVVERTENZA

- Rischio di esplosione se la batteria viene sostituita in modo errato.
- Sostituire solo con una batteria identica o una batteria consigliata da Axis.
- Smaltire le batterie usate in base alle normative locali o alle istruzioni del produttore della batteria.

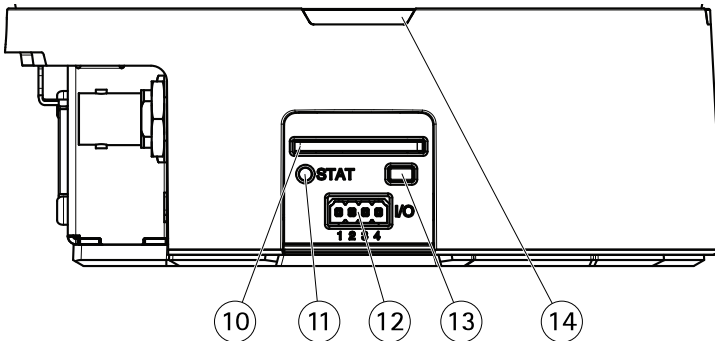
Contenido del paquete

- Cámaras de red AXIS V5914/V5915
- Fuente de alimentación con cable de corriente principal
- Kit de montaje para paredes y techos
- Conector del terminal de E/S
- Abrazadera de cable (2)
- Materiales impresos
 - Guía de instalación (este documento)
 - Etiqueta adicional con el número de serie (2)
 - Clave de autenticación AVHS

Información general del producto



- 1 Conector de alimentación
- 2 3,5 mm, entrada de audio no balanceada
- 3 3,5 mm, salida de audio no balanceada
- 4 Conector de red
- 5 LED de alimentación del micrófono (XLR)
- 6 XLR, entrada de audio balanceada (izquierda)
- 7 XLR, entrada de audio balanceada (derecha)
- 8 Conector BNC (SDI)
- 9 Conector HDMI



- 10 Ranura para tarjetas SD (SDHC)
- 11 Indicador LED de estado
- 12 Conector de E/S
- 13 Botón de control
- 14 LED de registro (3)

Cómo instalar el producto

Herramientas recomendadas

- Taladro: si utiliza el montaje en pared o de falso techo

Instalación del hardware

Existen tres maneras de instalar la cámara:

AVISO

La cámara puede instalarse hacia arriba o hacia abajo, pero nunca de lado o en ángulo.

- De pie sobremesa.
- Colgada en la pared, consulte *Montaje en pared en la página 89*
- Colgada de un falso techo, consulte *Montaje en falso techo en la página 90*

Para instalar la cámara en sobremesa:

1. Coloque la cámara sobre la mesa o sobre cualquier otra superficie horizontal. Asegúrese de que la superficie sea estable.
2. Inserte la tarjeta de memoria SD (opcional).
3. Conecte los cables pertinentes a la cámara.

AVISO

Asegúrese de no estirar o doblar los cables demasiado. Esto podría provocar que se dañaran.

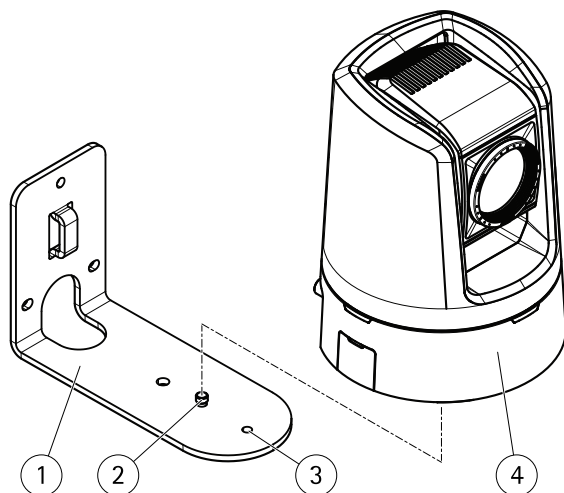
4. Conecte el cable de alimentación a la corriente principal (100–240 V CA).

Montaje en pared

⚠ADVERTENCIA

El peso combinado del soporte de montaje y la cámara es aproximadamente 1,7 kg. Asegúrese de que el material de la pared sea lo suficientemente resistente como para soportar ese peso.

1. Si es necesario, guíe los cables por la pared.
2. Instale el soporte de montaje en pared y asegúrese de utilizar los tornillos y los tacos adecuados para el material (por ejemplo, madera, metal, placas de yeso o piedra).
3. Inserte la tarjeta de memoria SD (opcional).
4. Monte la cámara en el soporte de montaje y apriete el tornillo del trípode. Otra opción es utilizar el orificio de montaje exterior para permitir que encaje más cable detrás de la cámara.



- 1 Soporte de montaje
- 2 Tornillo del trípode
- 3 Orificio de montaje exterior
- 4 Cámara

5. Guíe y conecte todos los cables a la cámara.

AVISO

Asegúrese de no estirar o doblar los cables demasiado. Esto podría provocar que se dañaran.

6. Para evitar tensión en los conectores y cables, fije todos los cables al soporte de montaje con las abrazaderas para cables.
7. Conecte el cable de alimentación a la corriente principal (100–240 V CA).

Montaje en falso techo

⚠ ADVERTENCIA

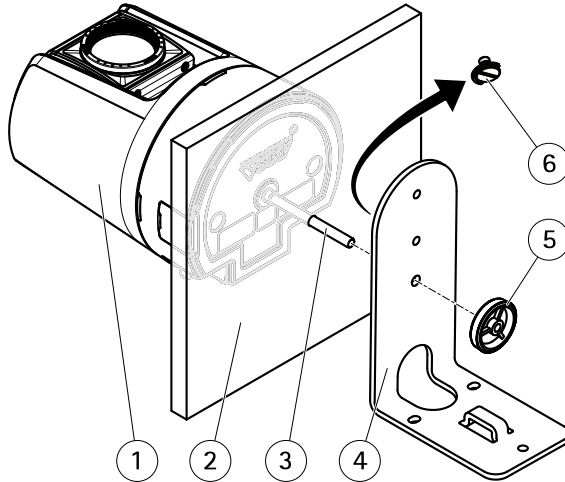
El peso combinado del soporte de montaje y la cámara es aproximadamente 1,7 kg. Asegúrese de que el material del techo sea lo suficientemente resistente como para soportar ese peso.

AVISO

La placa del techo debe tener un grosor de entre 5 y 60 mm.

1. Inserte la tarjeta de memoria SD (opcional).
2. Retire la placa del techo en la que se vaya a ajustar el montaje del falso techo.
3. Perfore un agujero de 7 mm en la placa del techo.
4. Quite los tornillos del trípode del soporte de montaje.

5. Conecte el extremo corto de la varilla roscada a la cámara y apriete.
6. Monte la cámara, la placa del techo y el soporte de montaje y apriete la tuerca.



- 1 Cámara
- 2 Placa del techo
- 3 Varilla roscada
- 4 Soporte de montaje
- 5 Tuerca
- 6 Tornillo del trípode

7. Guíe y conecte todos los cables a la cámara.

AVISO

Asegúrese de no estirar o doblar los cables demasiado. Esto podría provocar que se dañaran.

8. Conecte el cable de alimentación a la corriente principal (100–240 V CA).
9. Instale la placa del techo con la cámara montada en ella.

Conexión de la cámara a un monitor HDMI

La cámara se puede conectar a un monitor HDMI y transmitir audio y vídeo a ese monitor sin necesidad de conexión a la red.

Si el monitor admite la resolución máxima de la cámara, conéctelo directamente sin configurar ningún ajuste.

ES

AXIS V59 Series

Si la resolución máxima del monitor no coincide con la de la cámara, debe cambiar el modo de captura de la cámara para que coincida con la resolución del monitor.

Vaya a **Setup > Video and Audio > Camera Settings (Configuración > Vídeo y audio > Configuración de la cámara)** y seleccione un modo de captura que se ajuste al monitor.

Nota

Solo los modos de captura que contienen el texto **(HDMI)** pueden utilizarse con un conector HDMI.

Cómo acceder al producto

Se recomiendan AXIS IP Utility y AXIS Camera Management como métodos para buscar los productos de Axis en la red y asignarles direcciones IP en Windows®. Ambas aplicaciones son gratuitas y pueden descargarse de www.axis.com/support

El producto se puede utilizar con la mayoría de los sistemas operativos y navegadores. Los navegadores recomendados son:

- Internet Explorer® con Windows®
- Safari® con OS X®
- Chrome™ o Firefox® con otros sistemas operativos.

Para obtener más información sobre el uso del producto, consulte el manual del usuario, disponible en www.axis.com.

Cómo restablecer la configuración predeterminada de fábrica

Importante

Es preciso tener cuidado si se va a restablecer la configuración predeterminada de fábrica. Todos los valores, incluida la dirección IP, se restablecerán a la configuración predeterminada de fábrica.

Para restablecer el producto a la configuración predeterminada de fábrica:

1. Desconecte la alimentación del producto.
2. Mantenga pulsado el botón de control y vuelva a conectar la alimentación.
3. Mantenga pulsado el botón de control durante 15-30 segundos hasta que el indicador LED de estado parpadee en ámbar.
4. Suelte el botón de control. El proceso finaliza cuando el indicador LED de estado se pone verde. El producto se ha restablecido a la configuración predeterminada de fábrica. Si no hay ningún servidor DHCP disponible en la red, la dirección IP predeterminada es 192.168.0.90.
5. Utilice las herramientas del software de instalación y gestión para asignar una dirección IP, establecer la contraseña y acceder a la transmisión de vídeo.

Las herramientas del software de instalación y gestión están disponibles en las páginas de asistencia técnica en www.axis.com/support.

También es posible restablecer los parámetros a los valores predeterminados de fábrica mediante la interfaz web. Vaya a **Setup > System Options > Maintenance (Configuración > Opciones del sistema > Mantenimiento)** y haga clic en **Default (Predeterminado)**.

Más información

- Para consultar la versión más reciente de este documento, vaya a www.axis.com
- El manual de usuario se encuentra disponible en www.axis.com.
- Para comprobar si existe un firmware actualizado disponible para su producto, vaya a www.axis.com/support
- Para consultar seminarios web y cursos en línea que pueden resultarle útiles, vaya a www.axis.com/academy

Especificaciones técnicas

Para acceder a la versión más reciente de la hoja de datos, visite www.axis.com > productos > soporte técnico y documentación.

Indicadores LED

LED de estado	Indicación
Apagado	Conexión y funcionamiento normal.
Verde	Se muestra fijo durante diez segundos para indicar un funcionamiento normal después de completar el inicio.
Ámbar	Fijo durante el inicio. Parpadea en verde durante la actualización del firmware o el restablecimiento a la configuración predeterminada de fábrica.
Ámbar/rojo	Parpadea en ámbar/rojo si la conexión a la red no está disponible o se ha perdido.
Rojo	Error durante la actualización del firmware.

LED de alimentación del micrófono	Indicación
Apagado	Sin alimentación fantasma.
Azul	Con alimentación fantasma.

Nota

- Se puede configurar el LED de registro para que se encienda o se apague durante el funcionamiento normal. Para ello, vaya a **Setup > System Options > Ports & Devices > LED (Configuración > Opciones del sistema > Puertos y dispositivos > LED)**. Vea la ayuda en línea para obtener más información.
- El LED de registro indica solo transmisión en red. Si el vídeo o el audio solo se transmiten a través de HDMI o de SDI, el LED de registro permanece apagado.

LED de registro	Indicación
Apagado	Cámara inactiva.
Rojo	Transmisión o grabación en red activas.

Ranura para tarjetas SD

AVISO

- Riesgo de daños en la tarjeta SD. No emplee herramientas afiladas, objetos de metal ni demasiada fuerza al insertar o extraer la tarjeta SD. Utilice los dedos para insertar o extraer la tarjeta.
- Riesgo de pérdida de datos y grabaciones dañadas. No extraiga la tarjeta SD mientras el producto esté en funcionamiento. Desconecte la alimentación o desinstale la tarjeta SD desde la página web de producto antes de retirarla.

Este producto admite tarjetas SD/SDHC/SDXC (no incluidas).

Para conocer las recomendaciones de tarjeta SD, consulte www.axis.com.

Botones

Botón de control

Para conocer la ubicación del botón de control, consulte *Información general del producto en la página 88*.

El botón de control se utiliza para lo siguiente:

- Restablecer el producto a la configuración predeterminada de fábrica. Consulte *página 94*.
- Conectarse a un servicio AXIS Video Hosting System o al Servicio de DNS dinámico de Internet de AXIS. Para obtener más información acerca de estos servicios, visite www.axis.com.

Conectores

Conector BNC

El conector BNC se utiliza para la conexión de equipos de retransmisión mediante SDI. Conecte un cable coaxial SDI de 75 ohmios.

⚠ATENCIÓN

El conector puede calentarse durante el funcionamiento normal en temperaturas ambiente elevadas.

Conector HDMI

Utilice el conector HDMI™ para la conexión a una pantalla de vídeo o monitor público de visualización.

Conector de red

Conector Ethernet RJ45.

AVISO

Debido a la normativa local o a las condiciones ambientales y eléctricas en las que se vaya a utilizar el producto, puede que sea adecuado u obligatorio el uso de un cable de red blindado (STP). Todos los cables que conectan el producto a la red y que se utilicen en exteriores o en entornos eléctricos exigentes deberán estar blindados y diseñados para su uso específico. Asegúrese de que los dispositivos de red estén instalados de conformidad con las instrucciones del fabricante. Para obtener información sobre los requisitos normativos, vea *Electromagnetic compatibility (EMC) on page 4*.

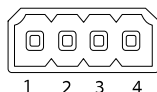
Conectores de E/S

Utilice el conector de E/S con dispositivos externos en combinación con alarmas antimanipulación, detección de movimiento, activación de eventos y notificaciones de alarma, por ejemplo. Además del punto de referencia de 0 V CC y la alimentación (salida de CC), el conector de E/S ofrece una interfaz para:

Salida digital – Conectar dispositivos externos como relés y LED. Los dispositivos conectados se pueden activar mediante la interfaz de programación de aplicaciones VAPIX® o en la página web del producto.

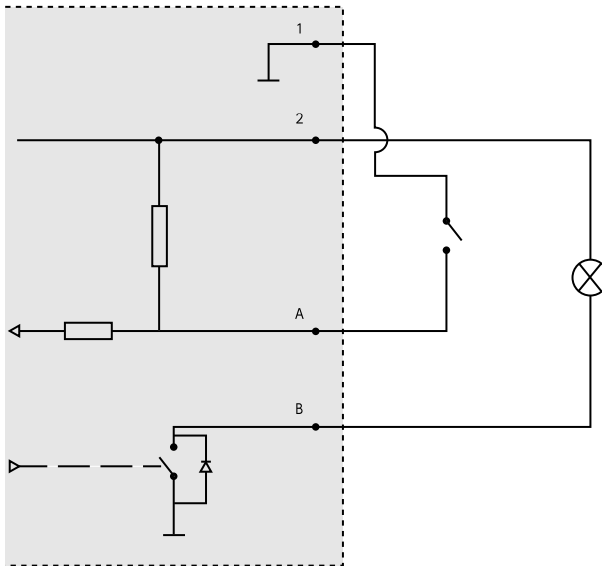
Entrada digital – Conectar dispositivos que puedan alternar entre circuitos cerrados y abiertos, por ejemplo, sensores PIR, contactos de puertas y ventanas o detectores de cristales rotos.

Bloque de terminales de 4 pines



Función	Pin	Notas	Especificaciones
0 V CC (-)	1	Tierra CC	0 V CC
Salida de CC	2	Se puede utilizar para conectar el equipo auxiliar. Nota: Este pin solo se puede utilizar como salida de alimentación.	12 V CC Carga máx. = 50 mA

Configurable (entrada o salida)	3-4	Entrada digital: Conéctela al pin 1 para activarla, o bien déjela suelta (sin conectar) para desactivarla.	0 a 30 V CC máx.
		Salida digital: Conectada al pin 1 cuando se activa, suelta (sin conectar) cuando está desactivada. Si se utiliza con una carga inductiva (por ejemplo, un relé), debe conectarse un diodo en paralelo a la carga como protección ante transitorios de tensión.	De 0 a 30 V CC máx., colector abierto, 100 mA



- 1 0 VCC (-)
- 2 Salida de CC 12 V, 50 mA máx.
- A E/S configurada como entrada
- B E/S configurada como salida

Conector de audio

El producto de Axis integra los siguientes conectores de audio:

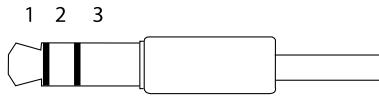
- **Entrada de audio:** Entrada de 3,5 mm para micrófono estéreo, o entrada de línea de señal estéreo.

ES

AXIS V59 Series

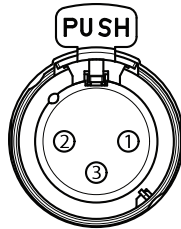
- **Salida de audio:** Salida para audio (nivel de línea) de 3,5 mm que se puede conectar a un sistema de megafonía pública o a un altavoz con amplificador incorporado. También pueden conectarse unos auriculares. Debe utilizarse un conector estéreo para la salida de audio.
- **Izquierda:** Conector XLR de 3 pines para entrada de audio balanceada. Utilice el conector izquierdo para la señal mono.
- **Derecha:** Conector XLR de 3 pines para entrada de audio balanceada.

Conectores de audio de 3,5 mm (estéreo)



	1 Punta	2 Anillo	3 Manguito
Entrada de audio	Entrada de línea/micrófono (izquierda)	Entrada de línea/micrófono (derecha)	Tierra
Salida de audio	Salida de línea (izquierda)	Salida de línea (derecha)	Tierra

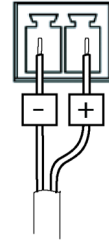
Conectores XLR de 3 pines (balanceados)



Pin	1	2	3
Función	Tierra	Entrada de micrófono balanceado caliente (+)	Entrada de micrófono balanceado frío (-)

Conector de alimentación

Bloque de terminales de 2 pines para la entrada de alimentación de CC. Use una fuente de alimentación limitada (LPS) que cumpla los requisitos de seguridad de baja tensión (SELV) con una potencia nominal de salida limitada a ≤ 100 W o una corriente nominal de salida limitada a ≤ 5 A.



Condiciones de funcionamiento

El producto de Axis se ha diseñado para su uso en interior.

ES

Producto	Clasificación	Temperatura	Humedad
AXIS V5914	IEC60721-4-3 Clase 3K3, 3M3, C60529IP52	De 0 °C a 40 °C	Humedad relativa del 10 al 85 % (sin condensación)
AXIS V5915			

Consumo de energía

AVISO

Utilice una fuente de alimentación limitada (LPS) con una potencia nominal de salida limitada a ≤ 100 W o una corriente nominal de salida limitada a ≤ 5 A.

Producto	CC
AXIS V5914	8–28 V CC, 21 W máx.
AXIS V5915	8–28 V CC, 21 W máx.

Información de seguridad

Niveles de peligro

▲PELIGRO

Indica una situación peligrosa que, si no se evita, provocará lesiones graves o la muerte.

▲ADVERTENCIA

Indica una situación peligrosa que, si no se evita, puede provocar lesiones graves o la muerte.

▲ATENCIÓN

Indica una situación peligrosa que, si no se evita, puede provocar lesiones moderadas o leves.

AVISO

Indica una situación peligrosa que, si no se evita, puede provocar daños materiales.

ES

Otros niveles de mensaje

Importante

Indica información importante que es fundamental para que el producto funcione correctamente.

Nota

Indica información útil que ayuda a aprovechar el producto al máximo.

Instrucciones de seguridad

AVISO

- El producto de Axis debe utilizarse de acuerdo con las leyes y normativas locales.
- Axis recomienda utilizar un cable de red blindado (STP) CAT5 o superior.
- Almacene el producto de Axis en un entorno seco y ventilado.
- Evite la exposición del producto de Axis a choques o a una fuerte presión.
- No instale el producto en postes, soportes, superficies o paredes inestables.
- Utilice solo las herramientas correspondientes cuando instale el producto de Axis. La aplicación de una fuerza excesiva con herramientas eléctricas puede provocar daños en el producto.
- No utilice limpiadores en aerosol, agentes cáusticos ni productos químicos.
- Limpie con un paño limpio humedecido con agua pura.
- Utilice solo accesorios que cumplan con las especificaciones técnicas de su producto. Estos accesorios los puede proporcionar Axis o un tercero. Axis recomienda utilizar un equipo de suministro de alimentación de Axis compatible con su producto.
- Utilice solo piezas de repuesto proporcionadas o recomendadas por Axis.
- No intente reparar el producto usted mismo. Póngase en contacto con el servicio de asistencia técnica de Axis o con su distribuidor de Axis para tratar asuntos de reparación.
- No coloque el objetivo de la cámara apuntando hacia el sol u otras fuentes de radiación de alta intensidad ya que podría dañar la cámara.

Transporte

AVISO

- Cuando transporte el producto de Axis, utilice el embalaje original o un equivalente para evitar daños en el producto.

Batería

Este producto de Axis utiliza una batería de litio CR2032 de 3,0 V como fuente de alimentación del reloj interno en tiempo real. En condiciones normales, esta batería durará un mínimo de cinco años.

Un nivel bajo de batería afectará al funcionamiento del reloj en tiempo real, lo que provocará el restablecimiento de este cada vez que se encienda el producto. Cuando sea necesario sustituir la batería, aparecerá un mensaje de registro en el informe del servidor del producto. Para obtener más información sobre el informe del servidor, consulte las páginas de configuración del producto o póngase en contacto con el servicio de asistencia técnica de Axis.

La batería no debe sustituirse a menos que sea necesario; no obstante, si precisa hacerlo, póngase en contacto con el servicio de asistencia técnica de Axis en www.axis.com/support para solicitar ayuda.

Las pilas de botón de litio de 3,0 V contienen 1,2-dimetoxietano; éter dimetilico de etilenglicol (EGDME), n.º CAS 110-71-4.

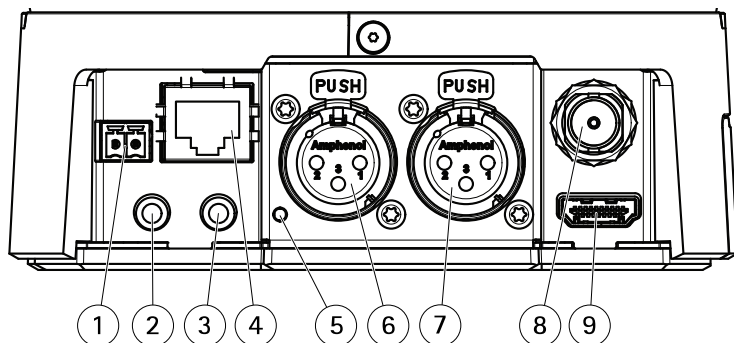
⚠ADVERTENCIA

- La sustitución incorrecta de la batería implica riesgo de explosión.
- Sustituya la batería por una batería idéntica u otra batería recomendada por Axis.
- Deseche las baterías usadas de conformidad con la normativa local o las instrucciones del fabricante.

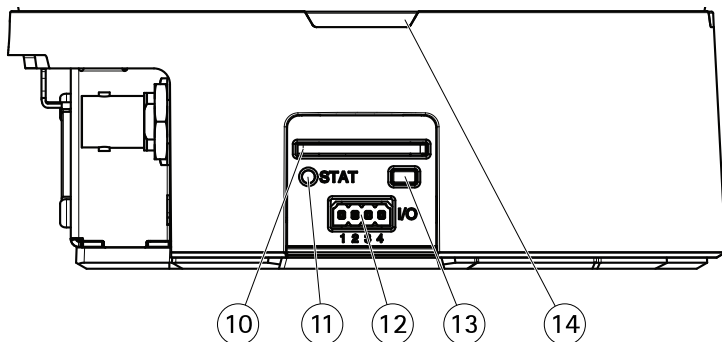
パッケージの内容

- AXIS V5914/V5915ネットワークカメラ
- 電源 (電源ケーブル付き)
- 壁面/天井取り付け用キット
- I/Oターミナルコネクタ
- ケーブルタイ (×2)
- 印刷物
 - インストールガイド (本書)
 - 予備のシリアル番号ラベル (×2)
 - AVHS認証キー

製品の概要



- 1 電源コネクタ
- 2 3.5 mm、アンバランス型音声入力
- 3 3.5 mm、アンバランス型音声出力
- 4 ネットワークコネクタ
- 5 マイク電源LED (XLR)
- 6 XLR、バランス型音声入力 (左)
- 7 XLR、バランス型音声入力 (右)
- 8 BNCコネクタ (SDI)
- 9 HDMIコネクタ



- 10 SDカードスロット (SDHC)
- 11 ステータスLEDインジケータ
- 12 I/Oコネクタ
- 13 コントロールボタン
- 14 タリーLED (×3)

製品の取り付け方法

推奨ツール

- ドリル (壁面取付ブラケットまたは埋め込み取り付けキットを使用する場合)

ハードウェアのインストール

以下の3通りの方法でカメラを設置することができます。

注記

カメラは垂直または上下逆向きに設置します。横向きまたは斜めに設置することはできません。

- テーブル面への設置。
- 壁面への取り付け (109ページの、壁面取付ブラケットを参照)。
- 埋め込み型取り付け (110ページの、埋め込み取り付けキットを参照)。

テーブル面にカメラを設置する方法は次のとおりです。

1. カメラをテーブル面や他の水平面に置きます。表面が安定していることを確認します。
2. SDメモリーカードを装着します (オプション)。
3. 必要なケーブルをカメラユニットに接続します。

注記

ケーブルを過度に引っ張ったり、曲げたりしないようにしてください。ケーブルが損傷するおそれがあります。

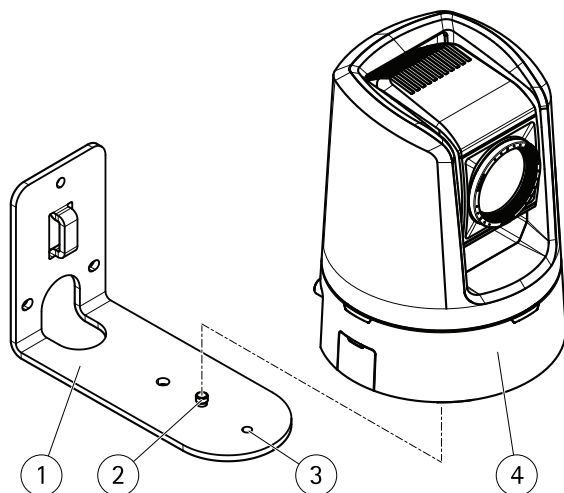
4. 電源装置をコンセント (100~240 V AC) に接続します。

壁面取付ブラケット

警告

カメラと取付ブラケットの総重量は、約1.7 kgです。壁面の材質が重量を支えるのに十分であるかを確認してください。

1. 必要であれば、ケーブルを壁面に通します。
2. 壁面に取付ブラケットを取り付け、ネジやプラグが取り付け先の材質 (木材、金属、石膏ボード、石材など) に適していることを確認します。
3. SDメモリーカードを装着します (オプション)。
4. カメラを取付ブラケットに取り付け、三脚ネジを締めます。または、外部取り付け穴を使用すれば、より多くのケーブルをカメラの後ろ側に収納できます。



- 1 取付ブラケット
- 2 三脚ネジ
- 3 外部取付け穴
- 4 カメラ

5. すべてのケーブルを配線して、カメラに接続します。

注記

ケーブルを過度に引っ張ったり、曲げたりしないようにしてください。ケーブルが損傷するおそれがあります。

6. コネクタやケーブルの損傷を避けるため、ケーブルタイを使用してすべてのケーブルを取付ブラケットに固定します。
7. 電源装置をコンセント (100~240 VAC) に接続します。

埋め込み取り付けキット

警告

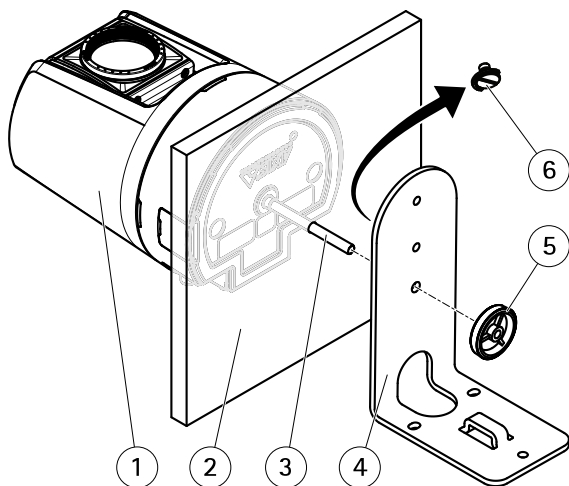
カメラと取付ブラケットの総重量は、約1.7 kgです。天井の材質が重量を支えるのに十分であるかを確認してください。

注記

天井ボードの厚みは5~60mm必要です。

1. SDメモリーカードを装着します (オプション)。
2. 埋め込み取り付けキットを取り付ける天井ボードを取り外します。
3. 天井ボードに7 mmの穴を開けます。
4. 三脚ネジを取付ブラケットから取り外します。

5. ネジ棒の短いほうの端をカメラに取り付けて締めます。
6. カメラ、天井ボード、および取付ブラケットを組み立て、ナットを締めます。



- 1 カメラ
- 2 天井ボード
- 3 ネジ棒
- 4 取付ブラケット
- 5 ナット
- 6 三脚ネジ

7. すべてのケーブルを配線してカメラに接続します。

注記

ケーブルを過度に引っ張ったり、曲げたりしないでください。ケーブルが損傷するおそれがあります。

8. 電源装置をコンセント (100~240 VAC) に接続します。
9. カメラを取り付けた天井ボードを設置します。

HDMI ディスプレイへのカメラの接続

ネットワーク接続なしでも、カメラをHDMIディスプレイに接続し、そのディスプレイに音声と映像を送信できます。

ディスプレイがカメラの最大解像度をサポートしている場合は、設定を調整せずにディスプレイを接続します。

AXIS V59 Series

ディスプレイの最大解像度がカメラの最大解像度と一致しない場合は、カメラのキャプチャーモードをディスプレイの最大解像度と一致するように変更する必要があります。

[Setup (設定)] > [Video & Audio (ビデオと音声)] > [Camera Settings (カメラの設定)]
の順に移動し、ディスプレイと一致するキャプチャーモードを選択します。

注意

HDMIコネクタの場合は、**(HDMI)**というテキストを含むキャプチャーモードだけを使用できます。

製品のアクセス方法

ネットワーク上でAxis製品を検索したり、Windows®でそれにIPアドレスを割り当てるには、AXIS IP UtilityまたはAXIS Camera Managementの使用をお勧めします。いずれのアプリケーションも無料で、www.axis.com/supportからダウンロードできます。

本製品は、ほとんどのオペレーティングシステムとブラウザでご利用いただけます。推奨ブラウザは以下のとおりです。

- Internet Explorer® (Windows®の場合)
- Safari® (OS X®の場合)
- Chrome™またはFirefox® (その他のオペレーティングシステムの場合)

製品の使用の詳細については、Axisのホームページ (www.axis.com) でユーザーズマニュアルを参照してください

工場出荷時の設定にリセットする方法

重要

工場出荷時の設定へのリセットは慎重に行ってください。工場出荷時の設定へのリセットを行うと、IPアドレスを含むすべての設定が工場出荷時の値にリセットされます。

本製品を工場出荷時の設定にリセットするには、以下の手順を実行します。

1. 本製品の電源を切ります。
2. コントロールボタンを押し続けながら電源を再投入します。
3. ステータスLEDインジケーターが黄色に点滅するまで、コントロールボタンを15～30秒間押し続けます。
4. コントロールボタンを離します。プロセスが完了すると、ステータスLEDが緑色に変わります。これで本製品は工場出荷時の設定にリセットされました。ネットワーク上に利用可能なDHCPサーバーがない場合、デフォルトのIPアドレスは192.168.0.90になります。
5. インストール・管理ソフトウェアツールを使用して、IPアドレスの割り当て、パスワードの設定、ビデオストリームへのアクセスを行います。
*www.axis.com/support*のサポートページに、インストール・管理ソフトウェアツールが用意されています。

Webインターフェースを使用して、各種パラメーターを工場出荷時の設定に戻すこともできます。[Setup > System Options > Maintenance] (設定 > システムオプション > メンテナンス) を選択し、[Default] (デフォルト) をクリックします。

関連情報

- 本書の最新バージョンについては、www.axis.comにアクセスしてください。
- ユーザーズマニュアルは、www.axis.comで入手できます。
- ご使用の製品の新しいファームウェアがリリースされていないかを確認するには、www.axis.com/supportにアクセスしてください。
- 役に立つオンライントレーニングおよびWebセミナーをご用意しております。www.axis.com/academyをご覧ください。

技術仕様

最新バージョンのデータシートについては、Axisのホームページwww.axis.com > [製品] > [サポートとドキュメント] を参照してください。

LEDインジケータ

ステータスLED	説明
無点灯	接続時と正常動作時は、無点灯のままです。
緑	起動後正常に動作する場合、10秒間、緑色に点灯します。
黄	起動時に点灯し、ファームウェアのアップグレード時と工場出荷時設定へのリセット時に点滅します。
黄/赤	ネットワーク接続が利用できないか、失われた場合は、黄色/赤色で点滅します。
赤	ファームウェアのアップグレード失敗。

マイク電源LED	説明
無点灯	ファントム電源オフ。
青	ファントム電源オン。

注意

- タリーLEDは、正常動作時に点灯または消灯させることができます。設定は、[Setup > System Options > Ports & Devices > LED] (設定 > システムオプション > ポートとデバイス > LED) で行います。詳細については、オンラインヘルプを参照してください。
- タリーLEDはネットワーク送信のみを示します。ビデオまたは音声はHDMIまたはSDIからのみ送信される場合は、タリーLEDは消灯します。

タリーLED	説明
無点灯	カメラ待機中。
赤	ネットワーク転送中または録画中。

SDカードスロット

注記

- SDカード損傷の危険があります。SDカードの挿入と取り外しの際には、鋭利な工具や金属性の物を使用したり、過剰な力をかけたりしないでください。カードの挿入や取り外しは指で行ってください。
- データ損失や録画データ破損の危険があります。本製品の稼働中はSDカードを取り外さないでください。取り外しの前に電源を切るか、製品のWebページからSDカードをマウント解除してください。

本製品は、SD/SDHC/SDXCカードに対応しています (別売)。

推奨するSDカードについては、www.axis.comを参照してください

ボタン

コントロールボタン

コントロールボタンの位置については、108ページの、製品の概要を参照してください。

コントロールボタンは、以下の用途で使用します。

- 製品を工場出荷時の設定にリセットする。114ページを参照してください。
- AXIS Video Hosting SystemサービスまたはAXIS Internet Dynamic DNSサービスに接続する。これらのサービスの詳細については、www.axis.comを参照してください。

コネクタ

BNCコネクタ

BNCコネクタは、SDIを使用するブロードキャスト装置の接続に使用します。75Ω同軸SDIケーブルを接続します。

▲注意

コネクタは、気温が上昇する場所での正常動作時に熱くなることがあります。

HDMIコネクタ

ディスプレイやパブリックビューモニターへの接続には、HDMI™コネクタを使用します。

ネットワークコネクタ

RJ45イーサネットコネクタ。

注記

本製品を使用する場所の地域条例、環境、電気的条件下によっては、シールドネットワークケーブル (STP) の使用が推奨または必須になります。本製品をネットワークに接続して屋外または電氣的に厳しい環境に配線する場合は、用途に合ったネットワークケーブルを使用してください。ネットワーク装置がメーカーの指示どおりに設置されていることを確認します。法的要件については、*Electromagnetic compatibility (EMC) on page 4*を参照してください。

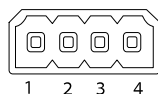
I/Oコネクタ

I/Oコネクタに外部装置を接続し、いたずら警報、動体検知、イベントトリガー、アラーム通知などと組み合わせて使用することができます。I/Oコネクタは、0V DC基準点と電力 (DC出力) に加えて、以下のインターフェースを提供します。

デジタル出力 - リレーやLEDなどの外部デバイスを接続します。接続されたデバイスは、VAPIX®アプリケーションプログラミングインターフェースまたは製品のWebページで有効にすることができます。

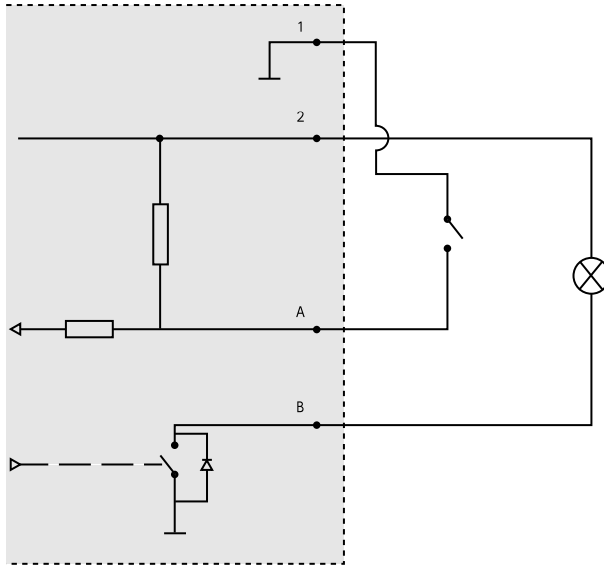
デジタル入力 - オープンサーキットとクローズサーキットの切り替えが可能なデバイス (PIRセンサー、ドア/窓の接触、ガラス破損検知器など) を接続するための入力です。

4ピンターミナルブロック



機能	ピン	備考	仕様
0 V DC (-)	1	DCグラウンド	0 V DC
DC出力	2	補助装置の電源供給に使用できます。 注: このピンは、電源出力としてのみ使用できます。	12 V DC 最大負荷 = 50 mA

設定可能 (入力または出力)	3-4	デジタル入力 - 動作させるにはピン1に接続し、動作させない場合はフロート状態(未接続)のままにします。	0~30VDC(最大)
		デジタル出力 - 動作させるにはピン1に接続し、動作させない場合はフロート状態(未接続)にします。誘導負荷(例: リレー)とともに使用する場合は、過渡電圧から保護するため、ダイオードを負荷と並列に接続する必要があります。	0~30VDC(最大)、 オープンドレイン、100 mA



- 1 0VDC (-)
- 2 DC出力12V、最大50mA
- A I/O (入力として設定)
- B I/O (出力として設定)

音声コネクタ

本製品は、以下の音声コネクタを搭載しています。

JA

AXIS V59 Series

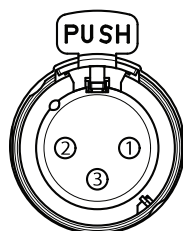
- **音声入力** - スtereoマイクロフォンまたはライン入力ステレオ信号用3.5 mm入力。
- **音声出力** - 3.5 mm音声 (ラインレベル) 出力 (パブリックアドレス (PA) システムまたはアンプ内蔵アクティブスピーカーに接続可能)。ヘッドフォンも接続できます。音声出力には、ステレオコネクタを使用する必要があります。
- **左** - バランス音声入力用の3ピンXLRコネクタ。モノラル用左コネクタを使用します。
- **右** - バランス音声入力用の3ピンXLRコネクタ。

3.5 mm音声コネク
タ (ステレオ)



	1 チップ	2 リング	3 スリーブ
音声入力	マイクロフォン/ライン入力 (左)	マイクロフォン/ライン入力 (右)	グラウンド
音声出力	ライン出力 (左)	ライン出力 (右)	グラウンド

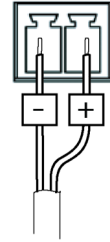
3ピンXLRコネクタ
(バランス型)



ピン	1	2	3
機能	グラウンド	バランス型マイクロフォン ホット (+) 入力	バランス型マイクロフォン コールド (-) 入力

電源コネクタ

DC電源入力用2ピンターミナルブロック。定格出力が100 W以下または5 A以下の安全特別低電圧 (SELV) に準拠した有限電源 (LPS) を使用してください。



動作条件

本製品は屋内用モデルです。

製品	等級	温度	湿度
AXIS V5914	IEC60721-4-3 Class 3K3、 3M3、 C60529IP52	0 ° C ~ 40 ° C	10 ~ 85% (結露しないこと)
AXIS V5915			

JA

消費電力

注記

定格出力が100Wまたは5A以下の有限電源 (LPS) を使用します。

製品	DC
AXIS V5914	8 ~ 28 V DC、最大21 W
AXIS V5915	8 ~ 28 V DC、最大21 W

安全情報

危険レベル

▲危険

回避しない場合、死亡または重傷につながる危険な状態を示します。

▲警告

回避しない場合、死亡または重傷につながるおそれのある危険な状態を示します。

▲注意

回避しない場合、軽傷または中程度の怪我につながるおそれのある危険な状態を示します。

注記

回避しない場合、器物の破損につながるおそれのある状態を示します。

その他のメッセージレベル

重要

製品を正しく機能させるために不可欠な重要情報を示します。

注意

製品を最大限に活用するために役立つ有用な情報を示します。

安全手順

注記

- 本製品は、お使いになる地域の法律や規制に準拠して使用してください。
- Axisは、シールドネットワークケーブル (STP) CAT5以上の使用を推奨します。
- 本製品は乾燥した換気のよい環境に保管してください。
- 本製品に衝撃または強い圧力を加えないでください。
- 本製品を不安定なポール、ブラケット、表面、または壁に設置しないでください。
- 本製品を設置する際には、適切な工具のみを使用してください。電動工具を使用して過剰な力をかけると、製品が損傷することがあります。
- 化学薬品、腐食剤、噴霧式クリーナーは使用しないでください。
- 清掃には、きれいな水に浸した清潔な布を使用してください。
- 製品の技術仕様に準拠したアクセサリのみを使用してください。これらのアクセサリは、Axisまたはサードパーティから入手できます。Axisは、ご使用の製品と互換性のあるAxis給電ネットワークスイッチの使用を推奨します。
- Axisが提供または推奨する交換部品のみを使用してください。
- 製品を自分で修理しないでください。修理については、Axisサポートまたは販売代理店にお問い合わせください。
- 太陽などの高輝度の光源にはカメラのレンズを向けないでください。カメラが損傷することがあります。

輸送

注記

- 本製品を運搬する際は、製品が損傷しないよう、元の梱包か同等の梱包を使用してください。

バッテリー

本製品は、内部リアルタイムクロック (RTC) 用電源として、3.0V CR2032リチウムバッテリーを使用します。このバッテリーは、通常条件下で最低5年間使用できます。

バッテリーが低電力状態になると、RTCの動作に影響し、電源を入れるたびにRTCがリセットされます。バッテリーの交換が必要になると、製品のサーバーレポートにログメッセージが表示されます。サーバーレポートの詳細については、製品の設定ページを参照するか、Axisサポートまでお問い合わせください。

必要な場合以外はバッテリーを交換しないでください。バッテリーの交換が必要な場合は、Axisサポート www.axis.com/supportまでご連絡ください。

リチウムコイン型3.0V電池は、1,2-ジメトキシエタン(エチレングリコールジメチルエーテル (EGDME)、CAS番号110-71-4)を含有しています。

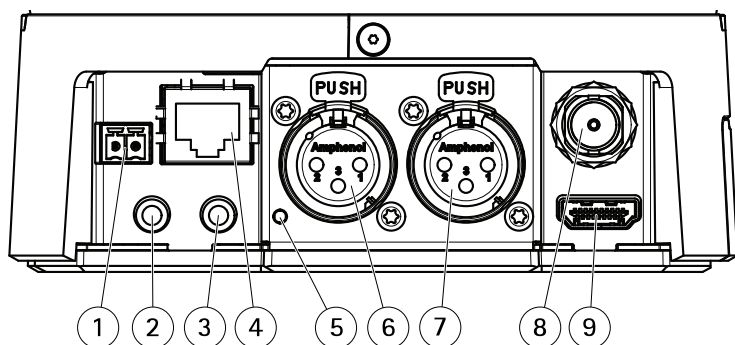
▲警告

- バッテリーは、正しく交換しないと爆発する危険があります。
- 交換用バッテリーとしては、同一品またはAxisが推奨するバッテリーのみを使用してください。
- 使用済みバッテリーは、地域の規制またはバッテリーメーカーの指示に従って廃棄してください。

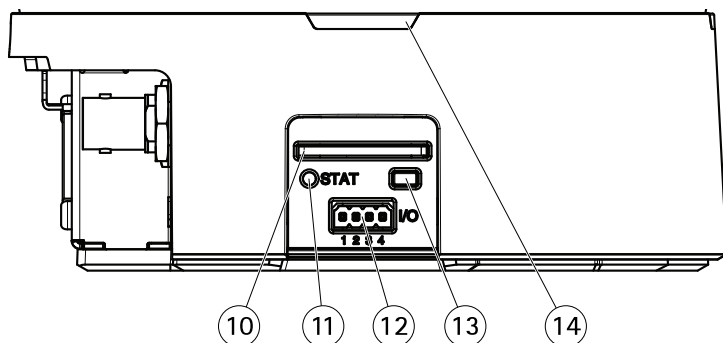
包装内容

- AXIS V5914/V5915 网络摄像机
- 带电源电缆的电源
- 适用于墙壁和天花板的安装套件
- 适用于 I/O 的端子连接器
- 扎线带 (2 条)
- 印刷资料
 - 安装指南 (本文档)
 - 额外的序列号标签 (2 个)
 - AVHS 身份验证密钥

产品概述



- 1 电源接口
- 2 3.5 毫米, 不平衡音频输入
- 3 3.5 毫米, 不平衡音频输出
- 4 网络接口
- 5 麦克风电源 LED (XLR)
- 6 XLR, 平衡音频输入 (左侧)
- 7 XLR, 平衡音频输入 (右侧)
- 8 BNC 接口 (SDI)
- 9 HDMI 接口



- 10 SD 卡插槽 (SDHC)
- 11 LED 状态指示灯
- 12 I/O 接口
- 13 控制按钮
- 14 信号 LED 指示灯 (3x)

如何安装产品

推荐的工具

- 电钻 – 如果使用墙壁或吊顶安装

安装硬件

摄像机具有三种安装方式：

注意

摄像机应垂直或倒置安装，不能朝向一侧或倾斜安装。

- 安装在桌面上。
- 悬挂在墙壁上，参见 *墙壁式安装* 在第129页
- 悬挂在吊顶上，参见 *吊顶安装支架* 在第130页

将摄像机安装在桌面上：

1. 将摄像机置于桌面或其他水平面上，确保这类表面处于稳定状态。
2. 插入 SD 内存卡（可选）。
3. 将所需线缆连接至摄像机。

注意

切勿过度拉伸或弯曲线缆。这可能会损坏线缆。

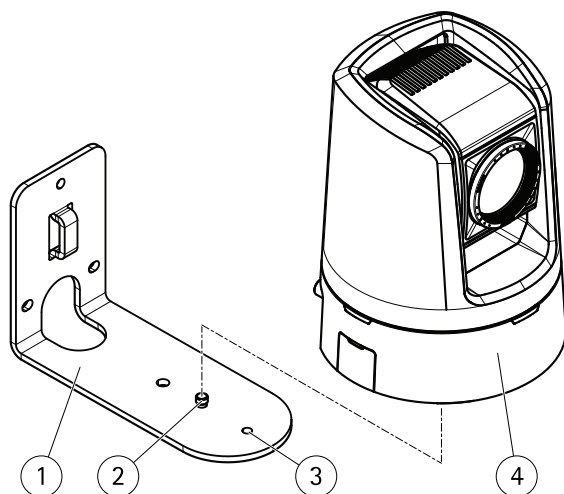
4. 将电源连接至主电源插座 (100–240 VAC)。

墙壁式安装

警告

摄像机与安装支架的组合重量约为 1.7 千克（3.7 磅）。确保墙壁材料足够坚固，以承受此重量。

1. 如果需要，将电缆穿过墙壁。
2. 将安装支架安装到墙壁上，确保螺丝和塞子适合墙壁材料（例如，木头、金属、板岩、石头）。
3. 插入 SD 内存卡（可选）。
4. 将摄像机安装到安装支架上，然后拧紧三脚架螺丝。或者使用外部安装孔，以便将更多电缆放在摄像机后面。



- 1 安装支架
- 2 三脚架螺丝
- 3 外部安装孔
- 4 摄像机

5. 布线并将电缆连接到摄像机。

注意

小心不要让电缆拉伸或弯曲太多。这可能导致电缆损坏。

6. 为了避免连接器和电缆上的应力，请使用扎线带将电缆固定到安装支架上。
7. 将电源连接到电源插座 (100–240 VAC)。

吊顶安装支架

警告

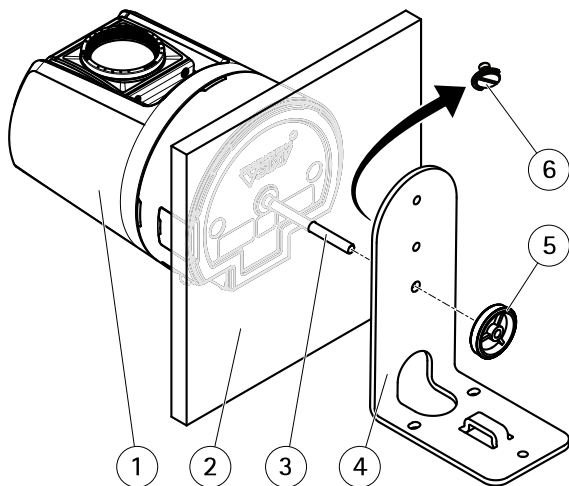
摄像机与安装支架的总重量约为 1.7 千克 (3.7 磅)。请确保天花板材质足够坚固，能够支持上述重量。

注意

天花板的厚度范围应该为 5–60 毫米 (0.2–2.4 英寸)。

1. 插入 SD 内存卡 (可选)。
2. 拆下拟在其中安装吊顶支架的天花板。
3. 在天花板中钻一个 7 毫米 (9/32 英寸) 的孔。
4. 卸下安装支架中的三脚架螺丝。
5. 将螺纹杆较短的一端连接至摄像机并拧紧。

6. 装配摄像机、天花板和安装支架，并拧紧螺母。



- 1 摄像机
2 天花板
3 螺纹杆
4 安装支架
5 螺母
6 三脚架螺丝

7. 布线时将线缆连接至摄像机。

注意

切勿过度拉伸或弯曲线缆。这可能会损坏线缆。

8. 将电源连接至主电源插座 (100-240 VAC)。
9. 将天花板与安装在天花板上的摄像机安装在一起。

将摄像机连接至 HDMI 显示器

摄像机可以连接到 HDMI 显示器并向该显示器传输音频和视频，而无需网络连接。

如果显示器支持摄像机的最大分辨率，只需连接显示器即可，而无需调整任何设置。

如果显示器的最大分辨率与摄像机的最大分辨率不匹配，则必须更改摄像机中的捕捉模式才能与显示器的分辨率相匹配。

AXIS V59 Series

转到 **Setup (设置) > Video and Audio (视频和音频) > Camera Settings (摄像机设置)**，然后选择与显示器匹配的捕捉模式。

备注

只有包含文本的捕捉模式 (**HDMI**) 才能用于 HDMI 连接器。

如何访问产品

AXIS IP Utility 和 AXIS Camera Management 是用于在网络上查找安讯士产品以及在 Windows® 中为其分配 IP 地址的建议方法。这两种应用程序都是免费的，可以从 www.axis.com/support 上进行下载

该产品可与大多数操作系统和浏览器兼容。我们建议使用以下浏览器：

- Internet Explorer®, 用于 Windows®
- Safari®, 用于 OS X®
- Chrome™ 或 Firefox®, 用于其他操作系统。

有关使用产品的更多信息，请参阅 www.axis.com 上提供的用户手册。

如何重置为出厂默认设置

重要

重置为出厂默认值时应谨慎。重置为出厂默认值会将所有设置（包括 IP 地址）重置为出厂默认值。

将产品重置为出厂默认设置：

1. 断开产品电源。
2. 按住控制按钮并重新连接电源。
3. 按住控制按钮 15–30 秒，直到状态 LED 指示灯呈淡黄色闪烁。
4. 释放控制按钮。当状态 LED 指示灯变绿时，此过程完成。产品已重置为出厂默认设置。如果网络上没有可用的 DHCP 服务器，则默认 IP 地址为 192.168.0.90
5. 使用安装和管理软件工具分配 IP 地址、设置密码和访问视频流。

安装和管理软件工具可从 www.axis.com/support 上的支持页面获取。

也可通过网页界面将参数重置为出厂默认值。转到 **Setup > System Options > Maintenance (设置 > 系统选项 > 维护)**，然后单击 **Default (默认)**。

更多信息

- 有关本文档的最新版本，请参见 www.axis.com
- 用户手册可从 www.axis.com 获取
- 要检查是否有产品的可用更新固件，请参见 www.axis.com/support
- 如需有用的在线培训和在线研讨会，请参见 www.axis.com/academy

技术规格

要查找最新版本的数据表，请转到 www.axis.com > 产品 > 支持和文档。

LED 指示灯

状态 LED	指示
熄灭	连接和正常工作。
绿色	启动完成后，将显示稳定的绿色 10 秒，以表示正常工作。
淡黄色	在启动期间稳定。在固件升级过程中或重置为出厂默认值时闪烁。
淡黄色/红色	如果网络连接不可用或丢失，则呈淡黄色/红色闪烁。
红色	固件升级失败。

麦克风电源 LED	指示
熄灭	幻象电源关闭。
蓝色	幻象电源打开。

备注

- Tally LED 可配置为在正常工作期间亮起或熄灭。要进行配置，请转到 **Setup > System Options > Ports & Devices > LED (设置 > 系统选项 > 端口和设备 > LED)**。有关详细信息，请参见联机帮助。
- Tally LED 仅表示网络传输。如果视频或音频仅通过 HDMI 或 SDI 传输，则 Tally LED 将熄灭。

Tally LED	指示
熄灭	摄像机空闲。
红色	活动的网络传输或录制。

SD 卡插槽

注意

- 损坏 SD 卡的风险。插入或取出 SD 卡时，请勿使用锋利的工具、金属物体或过大力气。使用手指插入和取出该卡。
- 数据丢失和录制内容损坏的风险。产品正在运行时，请勿取出 SD 卡。在移除之前，请断开电源或从产品的网页卸载 SD 卡。

本产品支持 SD/SDHC/SDXC 卡（不包括）。

有关 SD 卡的建议，请参见 www.axis.com

按钮

控制按钮

有关控制按钮的位置，请参见 *产品概述* 在第 128 页。

控制按钮用于：

- 将产品重置为出厂默认设置。请参见第 134 页。
- 连接到安讯士视频托管系统服务或安讯士互联网动态 DNS 服务。有关这些服务的更多信息，请参阅 www.axis.com。

接口

BNC 连接器

BNC 连接器用于连接使用 SDI 的广播设备。连接 75 Ohm 同轴 SDI 电缆。



在温度升高的环境中，即使在正常运行期间，连接器也可能会很热。

ZH

HDMI 连接器

使用 HDMI™ 连接器连接显示器或公共视图监视器。

网络连接器

RJ45 以太网连接器。



由于当地法规或产品使用场所的环境和电气条件，可能需要使用屏蔽网络电缆 (STP)。将产品连接到网络的电缆以及在室外或恶劣电气环境中布放的电缆应专用于其特定用途。确保根据制造商的说明安装网络设备。有关法规要求的信息，请参见 *Electromagnetic compatibility (EMC) on page 4*。

I/O 连接器

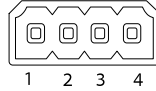
将 I/O 连接器用于外部设备，例如与防破坏报警、运动侦测、事件触发和警报通知结合使用。除了 0 V DC 参考点和电源（DC 输出）以外，I/O 连接器还提供了以下接口：

AXIS V59 Series

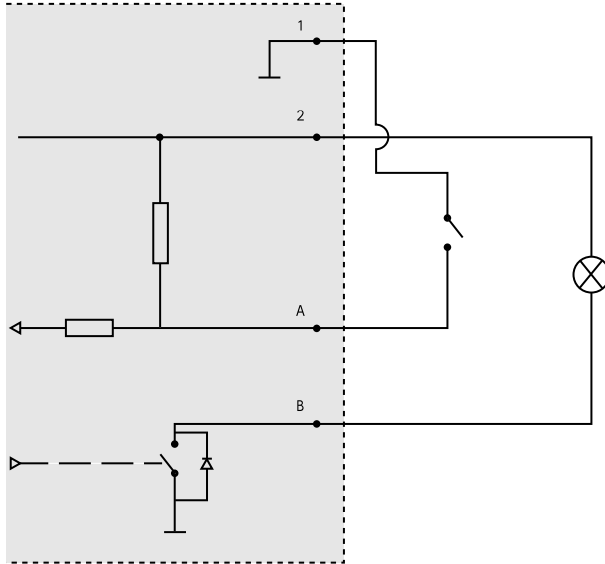
数字输出 – 用于连接继电器和 LED 等外部设备。已连接的设备可通过 VAPIX® 应用程序编程接口或在产品网页上进行激活。

数字输入 – 用于连接可在开路和闭路之间切换的设备，例如 PIR 传感器、门/窗传感器和玻璃破碎探测器。

4 针接线端子



功能	针	备注	规格
0 V DC (-)	1	DC 接地	0 V DC
DC 输出	2	可用于为辅助设备供电。 注意：此针只能用作电源输出。	12 V DC 最大负载 = 50 mA
可配置（输入或输出）	3-4	数字输入 – 连接到针 1 以启用，或保留浮动状态（断开连接）以停用。	0 至最大 30 V DC
		数字输出 – 启用时连接到针 1，停用时保留浮动状态（断开连接）。如果与电感负载（如继电器）一起使用，二极管必须与负载并联连接，以防止电压瞬变。	0 至最大 30 V DC， 开漏，100 mA



- 1 0 V DC (-)
- 2 DC 输出 12 V, 最大 50 mA
- A I/O 已配置为输入
- B I/O 已配置为输出

ZH

音频连接器

安讯士产品具有以下音频连接器：

- **音频输入** - 3.5 毫米输入，用于立体声麦克风或线路输入立体声信号。
- **音频输出** - 用于音频（线路级）的 3.5 毫米输出，可连接到公共地址 (PA) 系统或带有内置放大器的有源扬声器。也可连接一副耳机。立体声连接器必须用于音频输出。
- **左** - 3 针 XLR 连接器，用于平衡音频输入。将左侧连接器用于单声道。
- **右** - 3 针 XLR 连接器，用于平衡音频输入。

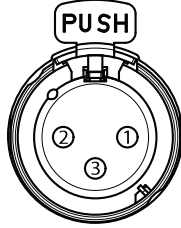
3.5 毫米音频连接器 (立体声)



AXIS V59 Series

	1 尖部	2 中间环	3 尾段
音频输入	麦克风/线路输入 (左)	麦克风/线路输入 (右)	接地
音频输出	线路输出 (左)	线路输出 (右)	接地

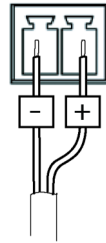
3 针 XLR 连接器
(平衡)



针	1	2	3
功能	接地	平衡麦克风热 (+) 输入	平衡麦克风冷 (-) 输入

电源接口

2 针接线端子用于 DC 电源输入。使用符合安全超低压 (SELV) 规定, 且额定输出功率 $\leq 100\text{ W}$ 或额定输出电流 $\leq 5\text{ A}$ 的有限电源 (LPS)。



工作条件

安讯士产品适用于室内使用。

产品	等级	温度	湿度
AXIS V5914	IEC60721-4-3 3K3、3M3 类, C60529IP52	0° C 到 40° C (32° F 到 104° F)	10-85%RH (非冷凝)
AXIS V5915			

功耗

注意

使用额定输出功率限制为 $\leq 100\text{W}$ 或额定输出电流限制为 $\leq 5\text{A}$ 的限制电源 (LPS)。

产品	DC
AXIS V5914	8–28 V DC, 最大 21 W
AXIS V5915	8–28 V DC, 最大 21 W

安全信息

危险等级

▲危险

表示如果不避免则会导致死亡或严重伤害的危险情况。

▲警告

表示如果不避免则可能导致死亡或严重伤害的危险情况。

▲小心

表示如果不避免则可能导致轻微或中度伤害的危险情况。

注意

表示如果不避免则可能导致财产损失的情况。

其他消息等级

重要

表示产品正常工作所必需的重要信息。

备注

表示有助于充分利用产品的有用信息。

安全说明

注意

- 使用安讯士产品时应遵守当地法律和法规。
- 安讯士推荐使用屏蔽网络电缆 (STP) CAT5 或更高版本。
- 在干燥通风的环境中存放安讯士产品。
- 避免将安讯士产品暴露在冲击或重压下。
- 请勿将本产品安装在不稳定的立杆、支架、表面或墙壁上。
- 安装安讯士产品时，仅使用适用的工具。使用电动工具过度施力可能导致产品损坏。
- 请勿使用化学品、腐蚀剂或气雾剂。
- 使用蘸纯净水的干净布进行清洁。
- 仅使用符合产品技术规格的附件。这些附件可由安讯士或第三方提供。安讯士推荐使用与产品兼容的安讯士电源设备。
- 仅使用安讯士提供或推荐的备件。
- 请勿尝试自行维修产品。有关服务事项，请联系安讯士支持部门或安讯士经销商。
- 请勿将摄像机镜头对准太阳或其他高强度辐射源，因为这可能会损坏摄像机。

运输

注意

- 安讯士产品运输途中，应使用其原包装或等效包装，以防对产品造成损坏。

电池

安讯士产品使用 3.0 V CR2032 锂电池作为其内部实时时钟 (RTC) 的电源。在正常情况下，此电池将持续至少五年。

低电池电量会影响 RTC 的工作，从而导致其在每次通电时重置。当电池需要更换时，产品的服务器报告中将显示一条日志消息。有关服务报告的更多信息，请参见产品的设置页面或与安讯士支持部门联系。

除非必要，否则不应更换电池，但如果确实需要更换电池，请通过 www.axis.com/support 与安讯士支持部门联系以获取帮助。

3.0 V 纽扣锂电池包含 1,2-二甲氧基乙烷 (EGDME)，CAS 编码为 110-71-4。

警告

- 如果未正确更换电池，则存在爆炸危险。

- 仅可使用相同电池或安讯士推荐的电池进行更换。
- 根据当地法规或电池制造商的说明处理废电池。

Installation Guide

AXIS V59 Series

© 2015 - 2021 Axis Communications AB

Ver. M3.2

Date: July 2021

Part No. 1733621