

AXIS P7224 Video Encoder Blade

Installation Guide

English

EN

France: Français

FR

Deutschland: Deutsch

DE

Italia: Italiano

IT

España: Español

ES

日本: 日本語

JA

中文: 简体中文

ZH

Read this first

Read through this Installation Guide carefully before installing the product. Keep the Installation Guide for future reference.

Legal considerations

Video and audio surveillance can be regulated by laws that vary from country to country. Check the laws in your local region before using this product for surveillance purposes.

This product includes the following licences:

- one (1) AAC decoder license

To purchase further licenses, contact your reseller.

Liability

Every care has been taken in the preparation of this document. Please inform your local Axis office of any inaccuracies or omissions. Axis Communications AB cannot be held responsible for any technical or typographical errors and reserves the right to make changes to the product and manuals without prior notice. Axis Communications AB makes no warranty of any kind with regard to the material contained within this document, including, but not limited to, the implied warranties of merchantability and fitness for a particular purpose. Axis Communications AB shall not be liable nor responsible for incidental or consequential damages in connection with the furnishing, performance or use of this material. This product is only to be used for its intended purpose.

Intellectual property rights

Axis AB has intellectual property rights relating to technology embodied in the product described in this document. In particular, and without limitation, these intellectual property rights may include one or more of the patents listed at axis.com/patent.htm and one or more additional patents or pending patent applications in the US and other countries.

This product contains licensed third-party software. See the menu item "About" in the product's user interface for more information.

This product contains source code copyright Apple Computer, Inc., under the terms of Apple Public Source License 2.0 (see opensource.apple.com/apsl/). The source code is available from developer.apple.com/bonjour/

Equipment modifications

This equipment must be installed and used in strict accordance with the instructions given in the user documentation. This equipment contains no user-serviceable components. Unauthorized equipment changes or modifications will invalidate all applicable regulatory certifications and approvals.

Trademark acknowledgements

AXIS COMMUNICATIONS, AXIS and VAPIX are registered trademarks or trademark applications of Axis AB in various jurisdictions. All other company names and products are trademarks or registered trademarks of their respective companies.

Apple, Boa, Apache, Bonjour, Ethernet, Internet Explorer, Linux, Microsoft, Mozilla, Real, SMPTE, QuickTime, UNIX, Windows, Windows Vista and WWW are registered trademarks of the respective holders. Java and all Java-based trademarks and logos are

trademarks or registered trademarks of Oracle and/or its affiliates. The UPnP Word Mark and UPnP Logo are trademarks of Open Connectivity Foundation, Inc. in the United States or other countries.

Regulatory information

Europe

CE This product complies with the applicable CE marking directives and harmonized standards:

- Electromagnetic Compatibility (EMC) Directive 2014/30/EU. See *Electromagnetic compatibility (EMC) on page 4*.
- Low Voltage (LVD) Directive 2014/35/EU. See *Safety on page 5*.
- Restrictions of Hazardous Substances (RoHS) Directive 2011/65/EU. See *Disposal and recycling on page 5*.

A copy of the original declaration of conformity may be obtained from Axis Communications AB. See *Contact information on page 5*.

Electromagnetic compatibility (EMC)

This equipment has been designed and tested to fulfill applicable standards for:

- Radio frequency emission when installed according to the instructions and used in its intended environment.
- Immunity to electrical and electromagnetic phenomena when installed according to the instructions and used in its intended environment.

USA

This equipment has been tested using a shielded network cable (STP) and found to comply with the limits for a Class B digital device, pursuant to part 15 of the FCC Rules. These limits are designed to provide reasonable protection against harmful interference in a residential installation. This equipment generates, uses and can radiate radio frequency energy and, if not installed and used in accordance with the instructions, may cause harmful interference to radio communications. However, there is no guarantee that interference will not occur in a particular installation. If this equipment does cause harmful interference to radio or television reception, which can be determined by turning the equipment off and on, the user is encouraged to try to correct the interference by one or more of the following measures:

- Reorient or relocate the receiving antenna.
- Increase the separation between the equipment and receiver.
- Connect the equipment into an outlet on a circuit different from that to which the receiver is connected.
- Consult the dealer or an experienced radio/TV technician for help.

The product shall be connected using a shielded network cable (STP) that is properly grounded.

Canada

This digital apparatus complies with CAN ICES-3 (Class B). The product shall be connected using a shielded network cable (STP) that is properly grounded. Cet appareil numérique est conforme à la norme CAN NMB-3 (classe B). Le produit doit être connecté à l'aide d'un câble réseau blindé (STP) qui est correctement mis à la terre.

Europe

This digital equipment fulfills the requirements for RF emission according to the Class B limit of EN 55032. The product shall be connected using a shielded network cable (STP) that is properly grounded.

Australia/New Zealand

This digital equipment fulfills the requirements for RF emission according to the Class B limit of AS/NZS CISPR 32. The product shall be connected using a shielded network cable (STP) that is properly grounded.

Japan

この装置は、クラスB 情報技術装置です。この装置は、家庭環境で使用することを目的としていますが、この装置がラジオやテレビジョン受信機に近接して使用されると、受信障害を引き起こすことがあります。取扱説明書に従って正しい取り扱いをして下さい。本製品は、シールドネットワークケーブル(STP)を使用して接続してください。また適切に接地してください。

Korea

이 기기는 업무용 환경에서 사용할 목적으로 적합성평가를 받은 기기로서 가정용 환경에서 사용하는 경우 전파간섭의 우려가 있습니다. 적절히 접지된 STP (shielded twisted pair) 케이블을 사용하여 제품을 연결 하십시오.

Safety

This product complies with IEC/EN/UL 60950-1, Safety of Information Technology Equipment.

Disposal and recycling

When this product has reached the end of its useful life, dispose of it according to local laws and regulations. For information about your nearest designated collection point, contact your local authority responsible for waste disposal. In accordance with local legislation, penalties may be applicable for incorrect disposal of this waste.

Europe



This symbol means that the product shall not be disposed of together with household or commercial waste. Directive 2012/19/EU on waste electrical and electronic equipment (WEEE) is applicable in the European Union member states. To prevent potential harm to human health and the environment, the product must be disposed of in an approved and environmentally safe recycling process. For information about your nearest designated collection point, contact your local authority responsible for waste disposal. Businesses should contact the product supplier for information about how to dispose of this product correctly.

This product complies with the requirements of Directive 2011/65/EU and 2015/863 on the restriction of the use of certain hazardous substances in electrical and electronic equipment (RoHS).

China



This product complies with the requirements of SJ/T 11364-2014, Marking for the restriction of hazardous substances in electrical and electronic products.

有毒有害物质或元素						
部件名称	铅 (Pb)	汞 (Hg)	镉 (Cd)	六价铬 (Cr-(VI))	多溴联苯 (PB-B)	多溴二苯醚 (PB-DE)
电气实装部分	X	0	0	0	0	0
0: 表示该有毒有害物质在该部件均质材料中的含量均在GB/T 26572标准规定的限量要求以下。 X: 表示该有毒有害物质至少在该部件的某一均质材料中的含量超出GB/T 26572标准规定的限量要求。						

Contact information

Axis Communications AB
 Emdalvägen 14
 223 69 Lund
 Sweden
 Tel: +46 46 272 18 00
 Fax: +46 46 13 61 30
axis.com

Warranty information

For information about Axis' product warranty and thereto related information, go to axis.com/warranty

Support

Should you require any technical assistance, please contact your Axis reseller. If your questions cannot be answered immediately, your reseller will forward your queries through the appropriate channels to ensure a rapid response. If you are connected to the Internet, you can:

- download user documentation and software updates
- find answers to resolved problems in the FAQ database. Search by product, category, or phrase
- report problems to Axis support staff by logging in to your private support area
- chat with Axis support staff
- visit Axis Support at axis.com/support

Learn more!

Visit Axis learning center axis.com/academy for useful trainings, webinars, tutorials and guides.

AXIS P7224 Video Encoder Blade

Installation Steps

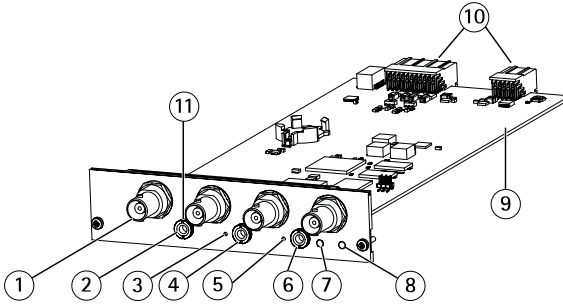
1. Make sure the package contents, tools and other materials necessary for the installation are in order. See *page 7*.
2. Study the product overview. See *page 8*.
3. Study the specifications. See *page 12*.
4. Install the hardware. See *page 9*.

Package contents

- AXIS P7224
- Printed materials
 - Installation Guide (this document)
 - Extra serial number label

AXIS P7224 Video Encoder Blade

Product overview



- 1 4x video inputs
- 2 Audio input 1
- 3 Control button
- 4 Audio input 2
- 5 Restart button
- 6 Audio output 1
- 7 Status LED
- 8 Power LED
- 9 P/N and S/N *
- 10 Bus connectors
- 11 Audio mounting nut

* Part number (P/N) and Serial number (S/N). The serial number may be required during the installation.

Dimensions:

30 x 129 x 255 mm (1.2 x 5.1 x 10.0 in) including connectors.

How to install the product

Install the hardware

The AXIS P7224 is designed to be installed into the following video encoder racks.

- AXIS 291 1U Video Server Rack
- AXIS Q7900 Rack
- AXIS Q7920 Chassi

Follow the instructions in the Installation Guide included with the rack/chassis for installing this Axis product. These installation guides are available at www.axis.com

How to access the product

AXIS IP Utility and AXIS Camera Management are recommended methods for finding Axis products on the network and assigning them IP addresses in Windows®. Both applications are free and can be downloaded from axis.com/support

The product can be used with most operating systems and browsers. We recommend the following browsers:

- Internet Explorer® with Windows®
- Safari® with OS X®
- Chrome™ or Firefox® with other operating systems.

For more information about using the product, see the User Manual available at axis.com

How to reset to factory default settings

Important

Reset to factory default should be used with caution. A reset to factory default resets all settings, including the IP address, to the factory default values.

To reset the product to the factory default settings:

1. Press and hold the control button and the restart button at the same time.
2. Release the restart button and hold the control button.
3. Keep the control button pressed until the Power indicator turns green and the Status indicators turn amber (this may take up to 15 seconds).
4. Release the control button. When the Status indicators display green (which can take up to 1 minute) the process is complete and the unit has been reset.
5. The process is now complete. The product has been reset to the factory default settings. If no DHCP server is available on the network, the default IP address is 192.168.0.90

It is also possible to reset parameters to factory default via the web interface. Go to **Setup > System Options > Maintenance** and click **Default**.

Further information

- For the latest version of this document, see axis.com
- The user manual is available at axis.com
- To check if there is updated firmware available for your product, see axis.com/support
- For useful online trainings and webinars, see axis.com/academy

Optional accessories

For a complete list of available accessories for this product, go to the product's page on axis.com and select Software & Accessories.

AXIS P7224 Video Encoder Blade

Specifications

To find the latest version of the product's datasheet, go to axis.com > [product] > Support & Documentation.

LED Indicators

LED	Color	Indication
Status	Green	Steady green for normal operation.
	Amber	Steady during startup and when restoring settings.
	Red	Slow flash for failed upgrade.
Power	Green	Normal operation.
	Amber	Flashes green/amber during firmware upgrade.

Buttons

Control button

For location of the control button, see *Product overview on page 8*.

The control button is used for:

- Resetting the product to factory default settings. See *page 10*.

Restart button

Press the restart button to restart the product.

Connectors

Bus connector

The bus connectors are the physical interfaces to the video encoder chassis that provide power, network, RS485, and I/O terminal connections.

BNC connector

Each video input is terminated using a coax/BNC connector.

Connect a 75 Ohm coaxial video cable; the recommended maximum length is 250 m (800 ft).

Note

75 Ohm video termination can be enabled/disabled for the video input through the product's webpage at **Video & Audio > Camera Settings > Video termination**. Video termination is enabled on factory default. If the product is connected in parallel with other equipment, for optimum video quality, we recommended to enable video termination only for the last device in the video signal chain.

Audio connector

The Axis product has the following audio connectors:

- **Audio in (pink)** – 3.5 mm input for a mono microphone, or a line-in mono signal.
- **Audio out (green)** – 3.5 mm output for audio (line level) that can be connected to a public address (PA) system or an active speaker with a built-in amplifier. It is recommended to use a stereo connector for audio out.

For audio in, the left channel is used from a stereo signal.

3.5 mm audio connectors (stereo)



	1 Tip	2 Ring	3 Sleeve
Audio Input			Ground
Audio Output	Line out, mono	Line out, mono	Ground

Note

For a more secure connection, use threaded audio connectors. The jacks are compatible with M6 x 0.5 threaded locking collar connectors. Remove the product's audio mounting nuts before connecting cables with threaded audio connectors. To locate the audio mounting nuts, see .

Pin assignments

Pin assignments for the I/O connector of the AXIS 291 1U Video Server Rack

Pin	Function	Description
1	+12 V out, 100mA	
2	GND	

AXIS P7224 Video Encoder Blade

3	Channel 1, Configurable I/O 1	<p>Digital input - Connect to GND to activate, or leave floating (or unconnected) to deactivate.</p> <p>Digital output - Uses an open drain NFET transistor with the source connected to GND. If used with an external relay, a diode must be connected in parallel with the load, for protection against voltage transients.</p>	<p>Min input = - 40 V DC Max input = + 40 V DC Max load = 100mA Max voltage = + 40 V DC (to the transistor)</p>
4	Channel 2, Configurable I/O 1		
5	Channel 3, Configurable I/O 1		
6	Channel 4, Configurable I/O 1		
7	Channel 1, Configurable I/O 2		
8	Channel 2, Configurable I/O 2		
9	Channel 3, Configurable I/O 2		
10	Channel 4, Configurable I/O 2		
11	RS485A	<p>A half-duplex RS485 interface for controlling auxiliary equipment such as PTZ devices.</p>	
12	RS485B		

Pin assignments for the I/O connector of the AXIS Q7900 Chassis and AXIS Q7920 Chassis

Pin	Function	Description	
1	Channel 1, Configurable I/O 1	<p>Digital input - Connect to GND to activate, or leave floating (or unconnected) to deactivate.</p> <p>Digital output - Uses an open drain NFET transistor with the source connected to GND. If used with an external relay, a diode must be connected in parallel with the load, for protection against voltage transients.</p>	<p>Min input = - 40 V DC Max input = + 40 V DC Max load = 100mA Max voltage = + 40 V DC (to the transistor)</p>
2	Channel 2, Configurable I/O 1		
3	Channel 3, Configurable I/O 1		
4	Channel 4, Configurable I/O 1		
5	Channel 1, Configurable I/O 2		
6	Channel 2, Configurable I/O 2		

AXIS P7224 Video Encoder Blade

EN

7	Channel 3, Configurable I/O 2	
8	Channel 4, Configurable I/O 2	
9	Not used	
10	Not used	
11	Not used	
12	Not used	

Pin assignments for RS485 connector – AXIS Q7900 Chassis and AXIS Q7920 Chassis

Pin	Function	Description
1	Channel 1, RS485A	A half-duplex RS485 interface for controlling auxiliary equipment such as PTZ devices.
2	Channel 1, RS485B	
3	Channel 2, RS485A	
4	Channel 2, RS485B	
5	Channel 3, RS485A	
6	Channel 3, RS485B	
7	Channel 4, RS485A	
8	Channel 4, RS485B	
9	Not used	
10	Not used	
11	Not used	
12	Not used	

Safety information

Hazard levels

▲ DANGER

Indicates a hazardous situation which, if not avoided, will result in death or serious injury.

▲ WARNING

Indicates a hazardous situation which, if not avoided, could result in death or serious injury.

▲ CAUTION

Indicates a hazardous situation which, if not avoided, could result in minor or moderate injury.

NOTICE

Indicates a situation which, if not avoided, could result in damage to property.

Other message levels

Important

Indicates significant information which is essential for the product to function correctly.

Note

Indicates useful information which helps in getting the most out of the product.

AXIS P7224 Video Encoder Blade

Safety instructions

⚠WARNING

The Axis product shall be installed by a trained professional, and in compliance with local laws and regulations.

NOTICE

- The Axis product shall be used in compliance with local laws and regulations.
- Store the Axis product in a dry and ventilated environment.
- Avoid exposing the Axis product to shocks or heavy pressure.
- Use only applicable tools when installing the Axis product. Using excessive force with power tools could cause damage to the product.
- Use only accessories that comply with the technical specification of your product. These can be provided by Axis or a third party. Axis recommends using Axis power source equipment compatible with your product.
- Use only spare parts provided by or recommended by Axis.
- Do not attempt to repair the product yourself. Contact Axis support or your Axis reseller for service matters.

Transportation

NOTICE

- When transporting the Axis product, use the original packaging or equivalent to prevent damage to the product.

Procédures d'installation

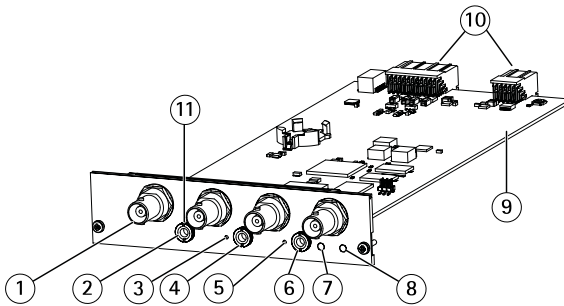
1. Assurez-vous que le contenu, les outils et autres matériels nécessaires à l'installation sont inclus dans l'emballage. Cf. *page 21*.
2. Lisez la vue d'ensemble du produit. Cf. *page 22*.
3. Étudiez les caractéristiques. Cf. *page 26*.
4. Installez le matériel. Cf. *page 23*.

Contenu de l'emballage

- AXIS P7224
- Documents imprimés
 - Guide d'installation (ce document)
 - Étiquette supplémentaire indiquant le numéro de série

AXIS P7224 Video Encoder Blade

Vue d'ensemble du produit



- 1 4x entrées vidéo
- 2 Entrée audio 1
- 3 Bouton de commande
- 4 Entrée audio 2
- 5 Bouton de redémarrage
- 6 Sortie audio 1
- 7 Voyant d'état
- 8 Voyant d'alimentation
- 9 Référence produit (P/N) et numéro de série (S/N) *
- 10 Connecteurs de bus
- 11 Écrou de montage audio

* Référence produit (P/N) et numéro de série (S/N). Le numéro de série peut être requis pendant l'installation.

Dimensions :

30 x 129 x 255 mm (1,2 x 5,1 x 10,0 po) y compris les connecteurs.

Comment installer le produit

Installation du matériel

L'AXIS P7224 est conçu pour être installé dans les encodeurs racks vidéo suivants.

- Rack de serveur vidéo AXIS 291 1U
- Rack AXIS Q7900
- Châssis AXIS Q7920

Suivez les instructions du Guide d'installation fourni avec les rack/châssis pour installer ce produit Axis. Ces guides d'installation sont également disponibles à l'adresse www.axis.com

Comment accéder au produit

AXIS IP Utility et AXIS Camera Management sont recommandés pour trouver des produits Axis sur le réseau et leur attribuer des adresses IP Windows®. Ces applications sont gratuites et peuvent être téléchargées via axis.com/support

Le produit peut être utilisé avec la plupart des systèmes d'exploitation et navigateurs. Nous recommandons les navigateurs suivants :

- Internet Explorer® avec Windows®,
- Safari® avec OS X®
- Chrome™ ou Firefox® avec les autres systèmes d'exploitation.

Pour plus d'informations sur l'utilisation du produit, consultez le Manuel de l'utilisateur disponible sur axis.com

Comment réinitialiser les paramètres par défaut

Important

La réinitialisation aux paramètres par défaut doit être utilisée avec prudence. Cette opération reconfigure tous les paramètres, y compris l'adresse IP, aux valeurs d'usine par défaut.

Pour réinitialiser l'appareil aux paramètres d'usine par défaut :

1. Appuyez simultanément sur le bouton de commande et le bouton de redémarrage et maintenez-les enfoncés.
2. Relâchez le bouton de redémarrage et maintenez le bouton de commande enfoncé.
3. Maintenez le bouton de commande enfoncé jusqu'à ce que le voyant d'alimentation passe au vert et que les voyants d'état passent à l'orange (cela peut prendre jusqu'à 15 secondes).
4. Relâchez le bouton de commande. Lorsque les voyants d'état passent au vert (ce qui peut prendre 1 minute), le processus est terminé et les paramètres par défaut de l'unité ont été rétablis.
5. Le processus est maintenant terminé. Les paramètres d'usine par défaut de l'appareil ont été rétablis. En l'absence d'un serveur DHCP sur le réseau, l'adresse IP par défaut est 192.168.0.90.

Il est également possible de rétablir les paramètres d'usine à partir de l'interface Web. Cliquez sur **Setup > System Options > Maintenance (Configuration > Options système > Maintenance)** et sur **Default (Défaut)**.

Informations complémentaires

- Pour obtenir la version la plus à jour de ce document, voir axis.com
- Le manuel d'utilisateur est disponible via axis.com
- Pour vérifier s'il existe un micrologiciel mis à jour pour votre produit, voir axis.com/support
- Pour accéder à des formations et webinaires en ligne utiles, voir axis.com/academy

FR

Accessoires en option

Pour une liste complète des accessoires disponibles pour ce produit, accédez à la page du produit sur axis.com et sélectionnez Logiciel et accessoires.

Caractéristiques

Pour obtenir la dernière version de la fiche technique du produit, rendez-vous sur axis.com > [produit] > Assistance et documentation.

Voyants

Voyant DEL	Couleur	Indication
État	Vert	Vert et fixe en cas de fonctionnement normal.
	Orange	Fixe pendant le démarrage et lors de la restauration des paramètres.
	Rouge	Clignote lentement en cas d'échec de la mise à niveau.
Alimentation	Vert	Fonctionnement normal.
	Orange	Le voyant vert/orange clignote pendant la mise à niveau du firmware.

Boutons

Bouton de commande

Pour connaître l'emplacement du bouton de commande, consultez *Vue d'ensemble du produit* page 22.

Le bouton de commande permet de réaliser les opérations suivantes :

- Réinitialisation du produit aux paramètres d'usine par défaut. Cf. page 24.

Bouton de redémarrage

Appuyez sur le bouton de redémarrage pour redémarrer l'appareil.

Connecteurs

Connecteur de bus

Les connecteurs de bus sont les interfaces physiques du châssis de l'encodeur vidéo qui fournissent des prises pour l'alimentation et le réseau, ainsi que des connexions RS485 et d'E/S.

Connecteur BNC

Chaque entrée vidéo se termine par un connecteur coaxial/BNC.

Utilisez un câble vidéo coaxial de 75 ohms ; la longueur maximale recommandée est de 250 mètres (800 pi).

Note

Vous pouvez activer ou désactiver la terminaison vidéo de 75 ohms via la page Web du produit sous **Vidéo et audio > Réglages caméra > Terminaison vidéo**. La terminaison vidéo est activée par défaut. Si le produit doit être branché en parallèle avec d'autres équipements, nous recommandons d'activer la terminaison vidéo uniquement pour le dernier appareil de la chaîne de signal vidéo afin d'obtenir une qualité vidéo optimale.

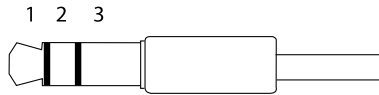
Connecteur audio

Le produit Axis dispose des connecteurs audio suivants :

- **Entrée audio (rose)** – entrée de 3,5 mm pour microphone mono ou signal d'entrée mono.
- **Sortie audio (verte)** : sortie de 3,5 mm (sortie de ligne) qui peut être connectée à un système de sonorisation (PA) ou à un haut-parleur actif avec amplificateur intégré. Il est recommandé d'utiliser un connecteur stéréo pour la sortie audio.

Pour l'entrée audio, le canal gauche d'un signal stéréo est utilisé.

Connecteurs audio 3,5 mm (stéréo)



	1 Pointe	2 Anneau	3 Manchon
Entrée audio			Masse
Sortie audio	Sortie ligne, mono	Sortie ligne, mono	Masse

Note

Pour une connexion plus sécurisée, il est recommandé d'utiliser des connecteurs audio à filet. Les jacks sont compatibles avec les connecteurs si l'on utilise des colliers de fermeture à filet M6 x 0,5. Retirez les écrous de montage audio avant de connecter les câbles avec des connecteurs audio à filet. Pour localiser les écrous de montage audio, consultez .

Affectation des broches

Affectations des broches pour le connecteur d'entrée/de sortie du rack du serveur vidéo AXIS 291 1U

B-roche	Fonction	Description
1	Sortie +12 V, 100 mA	
2	Terre	
3	Canal 1, entrée/sortie configurable 1	<p>Entrée numérique : connectez-la à la terre pour l'activer ou laissez-la flotter (ou déconnectée) pour la désactiver. Sortie numérique : utilise un transistor NFET à drain ouvert avec la source connectée à la terre. En cas d'utilisation avec un relais externe, une diode doit être connectée en parallèle avec la charge, pour assurer la protection contre les tensions transitoires.</p> <p>Entrée min. = -40 V CC Entrée max. = +40 V CC Charge maximale = 100 mA Tension maximale = +40 V CC (vers le transistor)</p>
4	Canal 2, entrée/sortie configurable 1	
5	Canal 3, entrée/sortie configurable 1	
6	Canal 4, entrée/sortie configurable 1	
7	Canal 1, entrée/sortie configurable 2	
8	Canal 2, entrée/sortie configurable 2	
9	Canal 3, entrée/sortie configurable 2	
10	Canal 4, entrée/sortie configurable 2	
11	RS485A	Interface RS485 semi-duplex permettant de contrôler un équipement auxiliaire, par exemple des appareils PTZ.
12	RS485B	

Affectation des broches du connecteur d'entrée/de sortie des châssis AXIS Q7900 et AXIS Q7920

Broche	Fonction	Description	
1	Canal 1, entrée/sortie configurable 1	<p>Entrée numérique : connectez-la à la terre pour l'activer ou laissez-la flotter (ou déconnectée) pour la désactiver. Sortie numérique : utilise un transistor NFET à drain ouvert avec la source connectée à la terre. En cas d'utilisation avec un relais externe, une diode doit être connectée en parallèle avec la charge, pour assurer la protection contre les tensions transitoires.</p>	<p>Entrée min. = -40 V CC Entrée max. = +40 V CC Charge maximale = 100 mA Tension maximale = +40 V CC (vers le transistor)</p>
2	Canal 2, entrée/sortie configurable 1		
3	Canal 3, entrée/sortie configurable 1		
4	Canal 4, entrée/sortie configurable 1		
5	Canal 1, entrée/sortie configurable 2		
6	Canal 2, entrée/sortie configurable 2		
7	Canal 3, entrée/sortie configurable 2		
8	Canal 4, entrée/sortie configurable 2		
9	Non utilisé		
10	Non utilisé		
11	Non utilisé		
12	Non utilisé		

Affectation des broches du connecteur RS485 - Châssis AXIS Q7900 et châssis AXIS Q7920

Broche	Fonction	Description
1	Canal 1, RS485A	Interface RS485 semi-duplex permettant de contrôler un équipement auxiliaire, par exemple des appareils PTZ.
2	Canal 1, RS485B	
3	Canal 2, RS485A	
4	Canal 2, RS485B	
5	Canal 3, RS485A	

AXIS P7224 Video Encoder Blade

6	Canal 3, RS485B
7	Canal 4, RS485A
8	Canal 4, RS485B
9	Non utilisé
10	Non utilisé
11	Non utilisé
12	Non utilisé

Informations sur la sécurité

Niveaux de risques

▲ DANGER

Indique une situation dangereuse qui, si elle n'est pas évitée, entraînera le décès ou des blessures graves.

▲ AVERTISSEMENT

Indique une situation dangereuse qui, si elle n'est pas évitée, pourrait entraîner le décès ou des blessures graves.

▲ ATTENTION

Indique une situation dangereuse qui, si elle n'est pas évitée, pourrait entraîner des blessures légères ou modérées.

AVIS

Indique une situation qui, si elle n'est pas évitée, pourrait endommager l'appareil.

Autres niveaux de message

Important

Indique les informations importantes, nécessaires pour assurer le bon fonctionnement de l'appareil.

Note

Indique les informations utiles qui permettront d'obtenir le fonctionnement optimal de l'appareil.

Consignes de sécurité

▲AVERTISSEMENT

Le produit Axis doit être installé par un professionnel qualifié et conformément aux lois et réglementations locales en vigueur.

AVIS

- Le produit Axis doit être utilisé conformément aux lois et règlements locaux.
- Conserver ce produit Axis dans un environnement sec et ventilé.
- Ne pas exposer ce produit Axis aux chocs ou aux fortes pressions.
- Utiliser uniquement des outils recommandés pour l'installation de l'appareil Axis. L'application d'une force excessive sur l'appareil avec des outils puissants pourrait l'endommager.
- Utiliser uniquement des accessoires conformes aux caractéristiques techniques de votre produit. Ils peuvent être fournis par Axis ou un tiers. Axis recommande d'utiliser un équipement d'alimentation Axis compatible avec votre produit.
- Utiliser uniquement les pièces de rechange fournies ou recommandées par Axis.
- Ne pas essayer de réparer vous-même ce produit. Contacter l'assistance technique d'Axis ou votre revendeur Axis pour des problèmes liés à l'entretien.

Transport

AVIS

- Lors du transport du produit Axis, utilisez l'emballage d'origine ou un équivalent pour éviter d'endommager le produit.

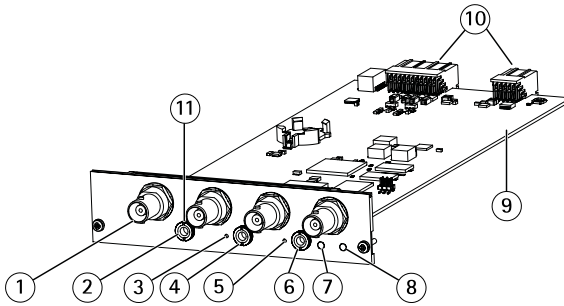
Installationsschritte

1. Sicherstellen, dass der Packungsinhalt, die Werkzeuge und anderes für die Installation erforderliche Material vollzählig und verwendbar sind. Siehe *Seite 35*.
2. Machen Sie sich mit der Produktübersicht vertraut. Siehe *Seite 36*.
3. Machen Sie sich mit den technischen Angaben vertraut. Siehe *Seite 40*.
4. Die Hardware installieren Siehe *Seite 37*.

Lieferumfang

- AXIS P7224
- Gedrucktes Material
 - Installationsanleitung (dieses Dokument)
 - Zusätzlicher Aufkleber mit Seriennummer

Produktübersicht



- 1 Vier Videoeingänge
- 2 Audioeingang 1
- 3 Steuertaste
- 4 Audioeingang 2
- 5 Neustarttaste
- 6 Audioausgang 1
- 7 LED Statusanzeige
- 8 LED Stromanzeige
- 9 Seriennummer und Teilenummer*
- 10 Busanschlüsse
- 11 Mutter Audioanschluss

* Teilenummer (P/N) und Seriennummer (S/N) Die Seriennummer kann während der Installation erforderlich werden.

Abmessungen:

30 x 129 x 255 mm (einschließlich Anschlüsse)

Installieren des Produkts

Die Hardware installieren

AXIS P7224 ist für den Einbau in folgende Gestelle für Videoencoder ausgelegt.

- AXIS 291 1U Videosever-Rack
- AXIS Q7900 Rack
- AXIS Q7920 Gehäuse

Dieses Axis-Produkt gemäß den Anweisungen in der Installationsanleitung für das jeweilige Gestell/Gehäuse einbauen. Die Installationsanleitungen sind auf www.axis.com verfügbar.

DE

Zugriff auf das Produkt

Zum Finden von Axis-Produkten im Netzwerk und Zuweisen von IP-Adressen unter Windows® werden AXIS IP Utility und AXIS Camera Management empfohlen. Beide Anwendungen sind kostenlos und können von axis.com/support heruntergeladen werden.

Das Produkt ist mit den meisten Betriebssystemen und Browsern kompatibel. Empfohlen werden folgende Browser:

- Internet Explorer® unter Windows®
- Safari® unter OS X®
- Chrome™ oder Firefox® unter anderen Betriebssystemen

Weitere Informationen zur Nutzung dieses Produkts finden Sie im Benutzerhandbuch auf axis.com.

Zurücksetzen auf die werksseitigen Standardeinstellungen

Wichtig

Die Funktion zum Zurücksetzen auf die werksseitigen Standardeinstellungen sollte mit Vorsicht verwendet werden. Beim Zurücksetzen auf die Werkseinstellungen werden alle Einstellungen einschließlich der IP-Adresse auf die Werkseinstellungen zurückgesetzt.

Um das Produkt auf die Werkseinstellungen zurückzusetzen:

1. Die Steuertaste und die Neustarttaste gleichzeitig betätigen und halten.
2. Die Neustarttaste freigeben, die Steuertaste gedrückt halten.
3. Die Steuertaste so lange gedrückt halten, bis die Betriebsanzeige grün leuchtet und die Statusanzeigen orange leuchten (dies kann bis zu 15 Sekunden dauern).
4. Die Steuertaste freigeben. Sobald die Statusanzeigen grün leuchten (was bis zu einer Minute dauern kann), ist der Vorgang abgeschlossen und das Gerät wurde auf die Werkseinstellungen zurückgesetzt.
5. Der Vorgang ist damit abgeschlossen. Das Produkt wurde auf die Werkseinstellungen zurückgesetzt. Wenn kein DHCP-Server im Netzwerk verfügbar ist, lautet die Standard-IP-Adresse 192.168.0.90.

Die Parameter können auch über die Weboberfläche auf die Werkseinstellungen zurückgesetzt werden. **Setup > System Options > Maintenance (Setup > Systemoptionen > Wartung)** aufrufen und **Default (Standard)** anklicken.

Weitere Informationen

- Die aktuelle Version dieses Dokuments finden Sie auf axis.com
- Das Benutzerhandbuch steht auf axis.com zur Verfügung.
- Unter axis.com/support finden Sie die aktuellen Firmwareversionen für Ihre Produkte.
- Nützliches Onlinetraining und Webinare finden Sie unter axis.com/academy.

Optionales Zubehör

Eine vollständige Liste lieferbaren Zubehörs für dieses Produkt finden Sie auf axis.com unter Produkt, Software und Zubehör.

DE

Technische Daten

Die aktuelle Version der technischen Daten des Produkts finden Sie auf axis.com unter Produkt, Support und Dokumentation.

LED-Anzeigen

LED	Farbe	Bedeutung
Status	Grün	Dauerhaft grün bei Normalbetrieb
	Orange	Dauerhaft beim Hochfahren und beim Wiederherstellen von Einstellungen
	Rot	Blinkt langsam bei einem Aktualisierungsfehler.
Stromversorgung	Grün	Normaler Betrieb
	Orange	Blinkt grün/orange während Firmware-Aktualisierung

Tasten

Steuertaste

Zur Lage der Steuertaste, siehe *Produktübersicht auf Seite 36*.

Die Steuertaste hat folgende Funktionen:

- Zurücksetzen des Produkts auf die Werkseinstellungen. Siehe *Seite 38*.

Neustarttaste

Um das Produkt neu zu starten, die Neustarttaste betätigen.

Anschlüsse

Busanschluss

Die Busanschlüsse sind die physischen Schnittstellen zum Gehäuse des Videoencoders. Sie stellen Stromversorgung, Netzwerk, RS-485 und E/A-Terminals bereit.

BNC-Steckverbinder

Jeder Videoeingang ist mit einem Anschluss des Typs Koaxial/BNC abgeschlossen.

Ein Koaxialvideokabel mit 75 Ohm Widerstand anschließen. Die empfohlene maximale Kabellänge beträgt 250 m.

Beachten

Der Videoeingang mit 75 Ohm kann auf der Produktwebseite unter **Video und Audio > Kameraeinstellungen > Videoabschluss** aktiviert/deaktiviert werden. In den Standardwerkseinstellungen ist der Videoabschluss aktiviert. Falls das Produkt parallel zu anderen Geräten angeschlossen wird, für optimale Videoqualität den Videoabschluss nur für das letzte Gerät in der Videosignalkette aktivieren.

Audioanschlüsse

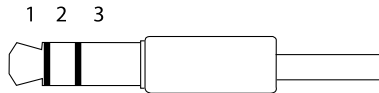
DE

Das Axis Produkt ist mit den folgenden Audioanschlüssen ausgestattet:

- **Audioeingang (rosa)** – 3,5-mm-Anschluss für ein Monomikrofon oder ein Monosignal.
- **Audioausgang (grün)** – 3,5-mm-Audioausgang (Leitungspegel) zum Anschließen einer Rundrufanlage (PA) oder eines Aktivlautsprechers mit integriertem Verstärker. Für den Audioausgang empfiehlt sich die Verwendung eines Stereosteckers.

Beim Audioeingang wird der linke Kanal von einem Stereosignal benutzt.

3,5-mm-
Audioanschlüsse
(Stereo)



	1 Spitze	2 Ring	3 Schaft
Audioeingang			Masse
Audioausgang	Leitungsausgang, Mono	Leitungsausgang, Mono	Masse

Beachten

Für sichere Verbindungen wird die Verwendung von Gewindeanschlüssen empfohlen. Die Anschlüsse sind mit M6 x 0,5-Gewinderingen kompatibel. Entfernen Sie die Audioanschlussmuttern am Produkt, bevor Sie Kabel mit Audioanschlüssen mit Gewinde verbinden. Zur Ermittlung der Lage der Audioanschlussmuttern siehe .

Kontaktbelegungen

Kontaktbelegung des E/A-Anschlusses des Videoserver-Racks AXIS 291 1U

K-ont-akt	Funktion	Beschreibung	
1	+12-V-Ausgang, 100 mA		
2	Masse (GND)		
3	Kanal 1, E/A 1 (konfigurierbar)	<p>Digitaleingang: Zum Aktivieren mit dem Massekontakt (GND) verbinden; zum Deaktivieren nicht anschließen. Digitalausgang: Verwendet einen Open-Drain-NFET-Transistor, wobei die Quelle mit der Masse (GND) verbunden ist. Zum Schutz vor Spannungsspitzen muss bei der Kombination mit einem externen Relais eine Diode parallel zur Last geschaltet werden.</p> <p>Min. Eingang = -40-V-Gleichstrom Max. Eingang = +40-V-Gleichstrom Max. Belastung = 100 mA Max. Spannung = +40-V-Gleichstrom (am Transistor)</p>	
4	Kanal 2, E/A 1 (konfigurierbar)		
5	Kanal 3, E/A 1 (konfigurierbar)		
6	Kanal 4, E/A 1 (konfigurierbar)		
7	Kanal 1, E/A 2 (konfigurierbar)		
8	Kanal 2, E/A 2 (konfigurierbar)		
9	Kanal 3, E/A 2 (konfigurierbar)		
10	Kanal 4, E/A 2 (konfigurierbar)		
11	RS485A		Eine Halbduplex-RS485-Schnittstelle zur Steuerung von Zusatzgeräten, z. B. PTZ-Geräten.
12	RS485B		

Kontaktbelegung des E/A-Anschlusses der Gehäuse AXIS Q7900 und AXIS Q7920

Kontakt	Funktion	Beschreibung
1	Kanal 1, E/A 1 (konfigurierbar)	<p>Digitaleingang – Zum Aktivieren mit dem Massekontakt verbinden; zum Deaktivieren nicht anschließen. Digitalausgang: Verwendet einen Open-Drain-NFET-Transistor, wobei die Quelle mit der Masse (GND) verbunden ist. Zum Schutz vor Spannungsspitzen muss bei der Kombination mit einem externen Relais eine Diode parallel zur Last geschaltet werden.</p> <p>Min. Eingang = - 40-V-Gleichstrom Max. Eingang = + 40-V-Gleichstrom Max. Belastung = 100 mA Max. Spannung = + 40-V-Gleichstrom (am Transistor)</p>
2	Kanal 2, E/A 1 (konfigurierbar)	
3	Kanal 3, E/A 1 (konfigurierbar)	
4	Kanal 4, E/A 1 (konfigurierbar)	
5	Kanal 1, E/A 2 (konfigurierbar)	
6	Kanal 2, E/A 2 (konfigurierbar)	
7	Kanal 3, E/A 2 (konfigurierbar)	
8	Kanal 4, E/A 4 (konfigurierbar)	
9	Nicht verwendet	
10	Nicht verwendet	
11	Nicht belegt	
12	Nicht belegt	

DE

AXIS P7224 Video Encoder Blade

Kontaktbelegung des RS-485-Anschlusses der Gehäuse AXIS Q7900 und AXIS Q7920

Kontakt	Funktion	Beschreibung
1	Kanal 1, RS485A	Eine Halbduplex-RS485-Schnittstelle zur Steuerung von Zusatzgeräten, z. B. PTZ-Geräten
2	Kanal 1, RS485B	
3	Kanal 2, RS485A	
4	Kanal 2, RS485B	
5	Kanal 3, RS485A	
6	Kanal 3, RS485B	
7	Kanal 4, RS485A	
8	Kanal 4, RS485B	
9	Nicht verwendet	
10	Nicht verwendet	
11	Nicht verwendet	
12	Nicht verwendet	

Sicherheitsinformationen

Gefährdungsstufen

▲GEFAHR

Weist auf eine gefährliche Situation hin, welche, falls nicht verhindert, zu Tod oder schweren Verletzungen führen kann.

▲WARNUNG

Weist auf eine gefährliche Situation hin, welche, falls nicht verhindert, zu Tod oder schweren Verletzungen führen kann.

▲VORSICHT

Weist auf eine gefährliche Situation hin, welche, falls nicht verhindert, zu geringfügiger oder mäßiger Verletzung führen kann.

HINWEIS

Weist auf eine gefährliche Situation hin, welche, falls nicht verhindert, zu Sachschäden führen kann.

DE

Andere Meldeebenen

Wichtig

Weist auf wichtige Informationen hin, die den richtigen Betrieb des Produkts gewährleisten.

Beachten

Weist auf nützliche Informationen hin, die die optimale Verwendung des Produkts unterstützen.

Sicherheitsanweisungen

⚠ WARNUNG

Das Axis Produkt muss von fachmännischem Personal und unter Einhaltung der örtlich geltenden Bestimmungen installiert werden.

HINWEIS

- Das Axis-Produkt muss unter Beachtung der geltenden Gesetze und Bestimmungen betrieben werden.
- Lagern Sie das Axis Produkt in einer trockenen und belüfteten Umgebung.
- Achten Sie darauf, dass das Axis Produkt weder Stößen noch starkem Druck ausgesetzt ist.
- Verwenden Sie bei der Installation des Axis Produkts ausschließlich passende Werkzeuge. Ein zu großer Kraftaufwand mit elektrischen Werkzeugen kann das Produkt beschädigen.
- Verwenden Sie nur Zubehör, das den technischen Vorgaben Ihres Produkts entspricht. Dieses ist von Axis oder Drittanbietern erhältlich. Axis empfiehlt die mit Ihrem Produkt kompatible Stromversorgung von Axis.
- Verwenden Sie ausschließlich Ersatzteile die von Axis angeboten oder empfohlen werden.
- Versuchen Sie nicht, dieses Produkt selbsttätig zu reparieren. Wenden Sie sich bezüglich Reparatur und Wartung an den Axis Support oder Ihren Axis Händler.

Transport

HINWEIS

- Bei Bedarf transportieren Sie das Axis Produkt in der Originalverpackung oder einer entsprechenden Verpackung, so dass Schäden vermieden werden.

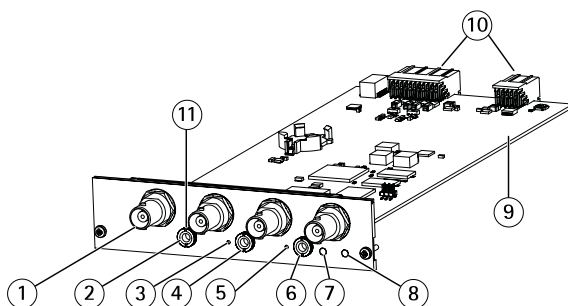
Procedura di installazione

1. Assicurarsi che il contenuto della confezione, gli strumenti e altri materiali necessari per l'installazione siano in ordine. Vedere *pagina 49*.
2. Esaminare la panoramica del dispositivo. Vedere *pagina 50*.
3. Studiare le specifiche. Vedere *pagina 54*.
4. Installazione dell'hardware Vedere *pagina 51*.

Contenuto della confezione

- AXIS P7224
- Documentazione
 - Guida all'installazione (il presente documento)
 - Etichetta aggiuntiva con numero di serie

Panoramica del dispositivo



- 1 4 ingressi video
- 2 Ingresso audio 1
- 3 Pulsante di comando
- 4 Ingresso audio 2
- 5 Pulsante di riavvio
- 6 Uscita audio 1
- 7 LED di stato
- 8 Power LED
- 9 P/N ed S/N *
- 10 Connettori bus
- 11 Dado di montaggio audio

* Codice dispositivo (P/N) e numero di serie (S/N). Il numero di serie è richiesto durante l'installazione.

Dimensioni:

30 x 129 x 255 mm inclusi i connettori.

Come installare il dispositivo

Installazione dell'hardware

AXIS P7224 è progettato per essere installato nei seguenti rack di codificatori video.

- AXIS 291 1U Video Server Rack
- AXIS Q7900 Rack
- Chassis AXIS Q7920

Seguire le istruzioni nella Guida all'installazione inclusa con i rack/chassis di installazione di questo dispositivo Axis. Le guide di installazione sono disponibili all'indirizzo Web www.axis.com

Come accedere al dispositivo

IT

AXIS IP Utility e AXIS Camera Management sono i metodi consigliati per trovare i dispositivi Axis in rete e assegnare loro un indirizzo IP in Windows®. Queste applicazioni sono entrambe gratuite e possono essere scaricate dal sito Web axis.com/support

Il dispositivo può essere utilizzato con la maggior parte dei sistemi operativi e dei browser. I browser consigliati sono i seguenti:

- Internet Explorer® con Windows®
- Safari® con OS X®
- Chrome™ o Firefox® con altri sistemi operativi.

Per ulteriori informazioni sull'utilizzo del dispositivo, consultare il Manuale per l'utente disponibile sul sito Web all'indirizzo: axis.com

Modalità di ripristino dei valori predefiniti di fabbrica

Importante

Il ripristino dei valori predefiniti di fabbrica deve essere utilizzato con cautela. Tale operazione consentirà di ripristinare i valori predefiniti di fabbrica per tutte le impostazioni, incluso l'indirizzo IP.

Per ripristinare il dispositivo ai valori predefiniti di fabbrica:

1. Tenere premuti contemporaneamente il pulsante di comando e il pulsante di riavvio.
2. Rilasciare il pulsante di riavvio e tenere premuto il pulsante di comando.
3. Tenere premuto il pulsante di comando fino a quando l'indicatore di alimentazione emette una luce verde e gli indicatori di stato si accendono in giallo (l'operazione può richiedere fino a 15 secondi).
4. Rilasciare il pulsante di comando. Appena l'indicatore di stato diventa verde (l'operazione può richiedere fino a 1 minuto), significa che la procedura è terminata e che l'unità è stata reimpostata.
5. A questo punto il processo è completato. Il dispositivo è stato reimpostato alle impostazioni di fabbrica predefinite. Se nessun server DHCP è disponibile in rete, l'indirizzo IP predefinito è 192.168.0.90.

È anche possibile reimpostare i parametri ai valori predefiniti di fabbrica mediante l'interfaccia Web. Andare a **Setup > System Options > Maintenance (Configurazione > Opzioni di sistema > Manutenzione)** e fare clic su **Default (Impostazione predefinita)**.

Ulteriori Informazioni

- Per la versione più recente di questo documento, visitare il sito all'indirizzo *axis.com*
- Il manuale per l'utente è disponibile all'indirizzo *axis.com*
- Per verificare se sono stati pubblicati aggiornamenti del firmware per il proprio dispositivo, vedere *axis.com/support*
- Per servizi di formazione utili e webinar, visita il sito *axis.com/academy*

Accessori opzionali

Per un elenco completo degli accessori disponibili per questo dispositivo, andare alla pagina del dispositivo al sito *axis.com* e selezionare Software e accessori.

Specifiche

Per la versione più aggiornata della scheda tecnica del dispositivo, visitare il sito axis.com > [dispositivo] > Supporto e documentazione.

Indicatori LED

LED	Colore	Indicazione
Stato	Verde	Luce verde fissa: condizioni di normale utilizzo.
	Giallo	Luce fissa durante l'avvio e quando si ripristinano le impostazioni.
	Rosso	Luce lampeggiante lenta: aggiornamento non riuscito.
Alimentazione	Verde	Funzionamento normale.
	Giallo	Luce lampeggiante verde/gialla: aggiornamento firmware.

Pulsanti

Pulsante di comando

Per l'ubicazione del pulsante di comando, vedere *Panoramica del dispositivo alla pagina 50*.

Il pulsante di comando viene utilizzato per:

- Ripristino del dispositivo alle impostazioni predefinite di fabbrica. Consultare *pagina 52*.

Pulsante di Riavvio

Premere il pulsante di riavvio per riavviare il dispositivo.

Connettori

Connettore Bus

I connettori bus sono le interfacce fisiche per lo chassis per codificatore video, che forniscono alimentazione, rete, RS485 e connessioni I/O dei terminali.

Connettore BNC

Ciascun ingresso video viene terminato con un connettore coassiale BNC.

Collegare un cavo video coassiale da 75 Ohm; la lunghezza massima consigliata è 250 m.

Nota

È possibile abilitare/disabilitare la terminazione video da 75 Ohm per l'ingresso video tramite la pagina Web del dispositivo selezionando **Video & Audio > Camera Settings > Video termination (Video e audio > Impostazioni telecamera > Terminazione video)**. La terminazione video è abilitata per impostazione di fabbrica. Se il dispositivo è collegato in parallelo ad altre apparecchiature, è consigliabile abilitare la terminazione video solo per l'ultimo dispositivo della catena del segnale video in modo da ottenere un video di ottima qualità.

Connettore audio

Il dispositivo Axis dispone dei seguenti connettori audio:

- **Ingresso audio (rosa)** - Ingresso audio da 3,5 mm per microfono in mono o segnale mono line-in.
- **Uscita audio (verde)**: uscita audio da 3,5 mm (livello di linea) che può essere connessa a un sistema di indirizzo pubblico (PA) o a un altoparlante attivo con amplificatore integrato. Si consiglia di utilizzare un connettore stereo per l'uscita audio.

Per l'ingresso audio, il canale sinistro viene utilizzato da un segnale stereo.

Connettori audio da
3,5 mm (stereo)



	1 Punta	2 Anello	3 Guaina
Ingresso audio			Terra
Uscita audio	Uscita linea, mono	Uscita linea, mono	Terra

Nota

Per una connessione più sicura, utilizzare connettori audio filettati. Le prese jack sono compatibili con connettori a ghiera di fissaggio filettata M6 x 0,5. Rimuovere i dadi di montaggio audio del dispositivo prima di collegare i cavi con connettori audio filettati. Per individuare i dadi di montaggio audio, consultare .

Assegnazioni dei pin

Assegnazioni dei pin per il connettore I/O di AXIS 291 1U Video Server Rack

Pin	Funzione	Descrizione			
1	Uscita +12 V, 100 mA				
2	GND				
3	Canale 1, I/O 1 configurabile	<p>Ingresso digitale: collegare a terra (GND) per attivarlo oppure lasciarlo isolato (o scollegato) per disattivarlo.</p> <p>Uscita digitale: utilizza un transistor NFET open-drain con sorgente con messa a terra (GND). Se utilizzato con un relè esterno, è necessario collegare un diodo in parallelo al carico per proteggere il dispositivo da ritorni di tensione.</p>	<p>Ingresso min. = - 40 V CC Ingresso max. = +40 V CC Carico max. = 100 mA Tensione max. = + 40 V CC (ingresso per il transistor)</p>		
4	Canale 2, I/O 1 configurabile				
5	Canale 3, I/O 1 configurabile				
6	Canale 4, I/O 1 configurabile				
7	Canale 1, I/O 2 configurabile				
8	Canale 2, I/O 2 configurabile				
9	Canale 3, I/O 2 configurabile				
10	Canale 4, I/O 2 configurabile				
11	RS485A			Interfaccia RS485 half-duplex per il controllo di apparecchiature ausiliarie come i dispositivi PTZ.	
12	RS485B				

Assegnazioni dei pin per il connettore I/O degli chassis AXIS Q7900 e AXIS Q7920

Pin	Funzione	Descrizione	
1	Canale 1, I/O 1 configurabile	<p>Ingresso digitale: collegare a terra (GND) per attivarlo oppure lasciarlo isolato (o scollegato) per disattivarlo.</p> <p>Uscita digitale: utilizza un transistor NFET open-drain con sorgente con messa a terra (GND). Se utilizzato con un relè esterno, è necessario collegare un diodo in parallelo al carico per proteggere il dispositivo da ritorni di tensione.</p>	<p>Ingresso min. = - 40 V CC Ingresso max. = +40 V CC Carico max. = 100 mA Tensione max. = + 40 V CC (ingresso per il transistor)</p>
2	Canale 2, I/O 1 configurabile		
3	Canale 3, I/O 1 configurabile		
4	Canale 4, I/O 1 configurabile		
5	Canale 1, I/O 2 configurabile		
6	Canale 2, I/O 2 configurabile		
7	Canale 3, I/O 2 configurabile		
8	Canale 4, I/O 2 configurabile		
9	Non utilizzato		
10	Non utilizzato		
11	Non utilizzato		
12	Non utilizzato		

IT

Assegnazioni dei pin per il connettore RS485 – Chassis AXIS Q7900 e AXIS Q7920

Pin	Funzione	Descrizione
1	Canale 1, RS485/A	Interfaccia RS485 half-duplex per il controllo di apparecchiature ausiliarie come i dispositivi PTZ.
2	Canale 1, RS485/B	
3	Canale 2, RS485/A	
4	Canale 2, RS485/B	
5	Canale 3, RS485/A	

AXIS P7224 Video Encoder Blade

6	Canale 3, RS485B
7	Canale 4, RS485A
8	Canale 4, RS485B
9	Non utilizzato
10	Non utilizzato
11	Non utilizzato
12	Non utilizzato

Informazioni di sicurezza

Livelli di pericolo

▲PERICOLO

Indica una situazione pericolosa che, se non evitata, provoca morte o lesioni gravi.

▲AVVERTENZA

Indica una situazione pericolosa che, se non evitata, potrebbe provocare la morte o lesioni gravi.

▲ATTENZIONE

Indica una situazione pericolosa che, se non evitata, potrebbe provocare lesioni medie o minori.

AWISO

Indica una situazione che, se non evitata, potrebbe danneggiare la proprietà.

IT

Altri livelli di messaggio

Importante

Indica informazioni importanti, essenziali per il corretto funzionamento del dispositivo.

Nota

Indica informazioni utili che aiutano a ottenere il massimo dal dispositivo.

Informazioni di sicurezza

▲AVVERTENZA

Il dispositivo Axis deve essere installato da un professionista qualificato, in conformità alle leggi e alle disposizioni locali.

AWISO

- Il dispositivo Axis deve essere utilizzato in conformità alle leggi e alle disposizioni locali.
- Conservare il dispositivo Axis in un ambiente asciutto e ventilato.
- Evitare di esporre il dispositivo Axis a urti o pressioni eccessive.
- Utilizzare solo strumenti applicabili quando si installa il dispositivo Axis. Se si utilizza una forza eccessiva con strumenti non adatti è possibile causare danni al dispositivo.
- Utilizzare solo accessori compatibili con le specifiche tecniche del dispositivo. Questi possono essere forniti da Axis o da terze parti. Axis consiglia l'uso dell'apparecchiatura di alimentazione Axis compatibile con il dispositivo.
- Utilizzare solo parti di ricambio fornite o consigliate da Axis.
- Non tentare di riparare il dispositivo da soli. Contattare l'assistenza o il rivenditore Axis per questioni relative alla manutenzione.

Trasporto

AWISO

- Durante il trasporto del dispositivo Axis, utilizzare l'imballaggio originale o equivalente per evitare danni al dispositivo.

Pasos de la instalación

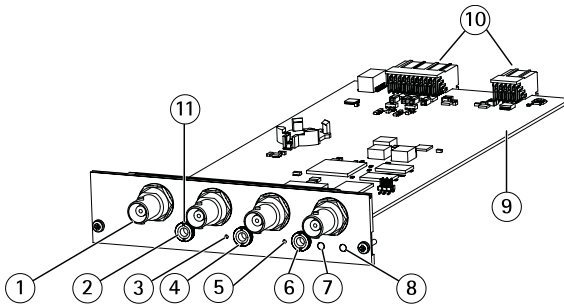
1. Asegúrese de que dispone del contenido del paquete, las herramientas y los demás materiales necesarios para la instalación. *Vea página 63.*
2. Estudie la información general del producto. *Vea página 64.*
3. Estudie las especificaciones. *Vea página 68.*
4. Instalación del hardware. *Vea página 65.*

Contenido del paquete

- AXIS P7224
- Materiales impresos
 - Guía de instalación (este documento)
 - Etiqueta adicional con el número de serie

AXIS P7224 Video Encoder Blade

Información general del producto



- 1 4 entradas de vídeo
- 2 Entrada de audio 1
- 3 Botón de control
- 4 Entrada de audio 2
- 5 Botón de reinicio
- 6 Salida de audio 1
- 7 LED de estado
- 8 LED de alimentación
- 9 P/N y S/N*
- 10 Conectores de bus
- 11 Tuerca de montaje de audio

* Número de pieza (P/N) y número de serie (S/N). Puede necesitarse el número de serie durante la instalación.

Dimensiones:

30 x 129 x 255 mm, incluidos los conectores.

Cómo instalar el producto

Instalación del hardware

La AXIS P7224 está diseñada para su instalación en los siguientes bastidores de codificador de vídeo.

- Bastidor para servidor de vídeo AXIS 291 1U
- Bastidor AXIS Q7900
- Chasis AXIS Q7920

Siga las instrucciones de la Guía de instalación incluida con el bastidor/chasis para instalar este producto de Axis. Estas guías de instalación están disponibles en www.axis.com

Cómo acceder al producto

Se recomiendan AXIS IP Utility y AXIS Camera Management como métodos para buscar los productos de Axis en la red y asignarles direcciones IP en Windows®. Ambas aplicaciones son gratuitas y pueden descargarse de axis.com/support.

El producto se puede utilizar con la mayoría de los sistemas operativos y navegadores. Los navegadores recomendados son:

- Internet Explorer® con Windows®
- Safari® con OS X®
- Chrome™ o Firefox® con otros sistemas operativos.

Para obtener más información sobre el uso del producto, consulte el manual del usuario, disponible en axis.com.

Cómo restablecer la configuración predeterminada de fábrica

Importante

Es preciso tener cuidado si se va a restablecer la configuración predeterminada de fábrica. Todos los valores, incluida la dirección IP, se restablecerán a la configuración predeterminada de fábrica.

Para restablecer el producto a la configuración predeterminada de fábrica:

1. Mantenga pulsados los botones de control y de reinicio al mismo tiempo.
2. Suelte el botón de reinicio y mantenga pulsado el botón de control.
3. Siga pulsando el botón de control hasta que el indicador de alimentación cambie a verde y los indicadores de estado tengan color ámbar (esto puede tardar hasta 15 segundos).
4. Suelte el botón de control. Cuando los indicadores de estado emitan una luz verde (lo que puede tardar hasta 1 minuto), ha finalizado el proceso y se ha restablecido la unidad.
5. El proceso se ha completado. El producto se ha restablecido a la configuración predeterminada de fábrica. Si no hay ningún servidor DHCP disponible en la red, la dirección IP predeterminada es 192.168.0.90.

También es posible restablecer los parámetros a los valores predeterminados de fábrica mediante la interfaz web. Vaya a **Setup > System Options > Maintenance (Configuración > Opciones del sistema > Mantenimiento)** y haga clic en **Default (Predeterminado)**.

Más información

- Para consultar la versión más reciente de este documento, vaya a axis.com.
- El manual de usuario se encuentra disponible en axis.com.
- Para comprobar si existe un firmware actualizado disponible para su producto, vaya a axis.com/support.
- Para consultar webinars y cursos en línea que pueden resultarle útiles, vaya a axis.com/academy.

Accesorios opcionales

Para conocer una lista completa de los accesorios disponibles para este producto, vaya a la página de productos en axis.com y seleccione Software y accesorios.

Especificaciones

Para acceder a la versión más reciente de la hoja de datos del producto, visite axis.com > [producto] > Soporte técnico y documentación.

Indicadores LED

LED	Color	Indicación
Estado	Verde	Verde fijo para indicar un funcionamiento normal.
	Ámbar	Fijo durante el inicio y al restaurar valores de configuración.
	Rojo	Parpadea despacio si se ha producido un error en una actualización.
Alimentación	Verde	Funcionamiento normal.
	Ámbar	Parpadea en verde/ámbar durante la actualización del firmware.

Botones

Botón de control

Para conocer la ubicación del botón de control, consulte *Información general del producto en la página 64*.

El botón de control se utiliza para lo siguiente:

- Restablecer el producto a la configuración predeterminada de fábrica. Consulte *página 66*.

Botón de reinicio

Pulse el botón de reinicio para reiniciar el producto.

Conectores

Conector de bus

Los conectores de bus son las interfaces físicas que se conectan al chasis del codificador de vídeo y proporcionan alimentación, conexión a la red, RS485 y terminales de E/S.

Conector BNC

Todas las entradas de vídeo se terminan con un conector coaxial/BNC.

Conecte un cable coaxial de vídeo de 75 Ohm; la longitud máxima recomendada es de 250 m (800 ft).

Nota

La terminación de vídeo de 75 Ohm puede habilitarse/deshabilitarse para la entrada de vídeo a través de la página web del producto en **Vídeo y audio > Ajustes de cámara > Terminación de vídeo**. La terminación de vídeo se activa con la configuración predeterminada de fábrica. Si el producto está conectado en paralelo con otros equipos, para una óptima calidad de vídeo recomendamos habilitar la terminación de vídeo únicamente para el último dispositivo de la cadena de señal de vídeo.

Conector de audio

El producto de Axis integra los siguientes conectores de audio:

ES

- **Entrada de audio (rosa):** entrada de 3,5 mm para micrófono mono, o entrada de línea de señal mono.
- **Salida de audio (verde):** salida para audio (nivel de línea) de 3,5 mm que se puede conectar a un sistema de megafonía pública o a un altavoz con amplificador incorporado. Se recomienda utilizar un conector estéreo para la salida de audio.

En el caso de la entrada de audio, se utiliza el canal izquierdo de una señal estéreo.

Conectores de audio de 3,5 mm (estéreo)



	1 Punta	2 Anillo	3 Manguito
Entrada de audio			Tierra
Salida de audio	Salida de línea (mono)	Salida de línea (mono)	Tierra

Nota

Para una conexión más segura, utilice conectores de audio roscados. Las tomas son compatibles con conectores roscados con collarín de seguridad M6 x 0,5. Extraiga las tuercas de montaje de audio del producto antes de conectar los cables con conectores de audio roscados. Para localizar las tuercas de montaje de audio, vea .

Asignaciones de pines

Asignaciones de pines del conector de E/S del AXIS 291 1U Video Server Rack

Pin	Función	Descripción	
1	Salida de +12 V, 100 mA		
2	Masa		
3	Canal 1, E/S configurable 1	<p>Entrada digital: conecte a GND (masa) para activarla o déjela suelta (o desconectada) para desactivarla.</p> <p>Salida digital: utiliza un transistor NFET de colector abierto con la fuente conectada al pin de masa (GND). Si se utiliza con un relé externo, debe conectarse un diodo en paralelo a la carga como protección ante transitorios de tensión.</p>	<p>Entrada mín. = - 40 V CC Entrada máx. = + 40 V CC Carga máx. = 100 mA Voltaje máx. = + 40 V CC (al transistor)</p>
4	Canal 2, E/S configurable 1		
5	Canal 3, E/S configurable 1		
6	Canal 4, E/S configurable 1		
7	Canal 1, E/S configurable 2		
8	Canal 2, E/S configurable 2		
9	Canal 3, E/S configurable 2		
10	Canal 4, E/S configurable 2		
11	RS485A	Una interfaz RS485 semidúplex para controlar equipos auxiliares como dispositivos PTZ.	
12	RS485B		

Asignaciones de pines del conector de E/S para los chasis AXIS Q7900 y AXIS Q7920

Pin	Función	Descripción	
1	Canal 1, E/S configurable 1	<p>Entrada digital: conecte a GND (masa) para activarla o déjela suelta (o desconectada) para desactivarla.</p> <p>Salida digital: utiliza un transistor NFET de colector abierto con la fuente conectada al pin de masa (GND). Si se utiliza con un relé externo, debe conectarse un diodo en paralelo a la carga como protección ante transitorios de tensión.</p>	<p>Entrada mín. = - 40 V CC</p> <p>Entrada máx. = + 40 V CC</p> <p>Carga máx. = 100 mA</p> <p>Voltaje máx. = + 40 V CC (al transistor)</p>
2	Canal 2, E/S configurable 1		
3	Canal 3, E/S configurable 1		
4	Canal 4, E/S configurable 1		
5	Canal 1, E/S configurable 2		
6	Canal 2, E/S configurable 2		
7	Canal 3, E/S configurable 2		
8	Canal 4, E/S configurable 2		
9	No se utiliza		
10	No se utiliza		
11	No se utiliza		
12	No se utiliza		

ES

Asignaciones de pines del conector RS485 para los chasis AXIS Q7900 y AXIS Q7920

Pin	Función	Descripción
1	Canal 1, RS485A	<p>Una interfaz RS485 semidúplex para controlar equipos auxiliares como dispositivos PTZ.</p>
2	Canal 1, RS485B	
3	Canal 2, RS485A	
4	Canal 2, RS485B	
5	Canal 3, RS485A	

AXIS P7224 Video Encoder Blade

6	Canal 3, RS485B
7	Canal 4, RS485A
8	Canal 4, RS485B
9	No se utiliza
10	No se utiliza
11	No se utiliza
12	No se utiliza

Información de seguridad

Niveles de peligro

▲PELIGRO

Indica una situación peligrosa que, si no se evita, provocará lesiones graves o la muerte.

▲ADVERTENCIA

Indica una situación peligrosa que, si no se evita, puede provocar lesiones graves o la muerte.

▲ATENCIÓN

Indica una situación peligrosa que, si no se evita, puede provocar lesiones moderadas o leves.

AVISO

Indica una situación peligrosa que, si no se evita, puede provocar daños materiales.

ES

Otros niveles de mensaje

Importante

Indica información importante que es fundamental para que el producto funcione correctamente.

Nota

Indica información útil que ayuda a aprovechar el producto al máximo.

Instrucciones de seguridad

▲ADVERTENCIA

El producto de Axis debe instalarlo un profesional formado conforme las leyes y normativas locales.

AVISO

- Este producto de Axis debe utilizarse de acuerdo con las leyes y normativas locales.
- Almacene el producto de Axis en un entorno seco y ventilado.
- Evite la exposición del producto de Axis a choques o a una fuerte presión.
- Utilice solo las herramientas correspondientes cuando instale el producto de Axis. La aplicación de una fuerza excesiva con herramientas eléctricas puede provocar daños en el producto.
- Utilice solo accesorios que cumplan con las especificaciones técnicas de su producto. Estos accesorios los puede proporcionar Axis o un tercero. Axis recomienda utilizar un equipo de suministro de alimentación de Axis compatible con su producto.
- Utilice solo piezas de repuesto proporcionadas o recomendadas por Axis.
- No intente reparar el producto usted mismo. Póngase en contacto con el servicio de asistencia técnica de Axis o con su distribuidor de Axis para tratar asuntos de reparación.

Transporte

AVISO

- Cuando transporte el producto de Axis, utilice el embalaje original o un equivalente para evitar daños en el producto.

設置手順

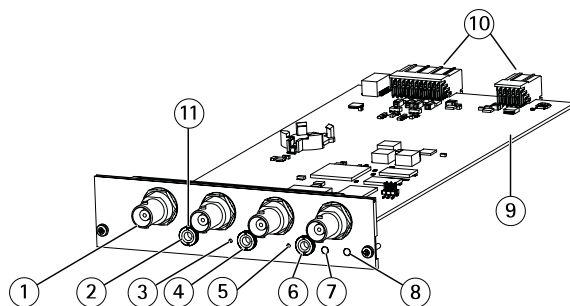
1. パッケージの内容、ツールなど、設置に必要なものが揃っていることを確認します。 77ページを参照してください。
2. 製品の概要を確認します。 78ページを参照してください。
3. 仕様を確認します。 82ページを参照してください。
4. ハードウェアを設置します。 79ページを参照してください。

パッケージの内容

- AXIS P7224
- 印刷物
 - インストールガイド (本書)
 - 予備のシリアル番号ラベル

AXIS P7224 Video Encoder Blade

製品の概要



- 1 ビデオ入力 (×4)
- 2 音声入力 (×1)
- 3 コントロールボタン
- 4 音声入力 (×2)
- 5 再起動ボタン
- 6 音声出力 (×1)
- 7 ステータスLED
- 8 電源LED
- 9 P/NおよびS/N *
- 10 バスコネクタ
- 11 音声マウントナット

* 型番 (P/N) とシリアル番号 (S/N)。シリアル番号は、インストールの際に必要な場合があります。

外形寸法:

30 x 129 x 255 mm (コネクタを含む)

製品の取り付け方法

ハードウェアの設置

AXIS P7224は、次のビデオエンコーダラックに設置するよう設計されています。

- AXIS 291 1Uビデオサーバーラック
- AXIS Q7900ラック
- AXIS Q7920シャーシ

ラック/シャーシに同梱されているインストールガイドの手順に従って、本製品を取り付けます。これらのインストールガイドは、www.axis.comから入手できます。

製品のアクセス方法

ネットワーク上でAxis製品を検索したり、Windows®でAxis製品にIPアドレスを割り当てたりするには、AXIS IP UtilityまたはAXIS Camera Managementの使用をお勧めします。いずれのアプリケーションも無料で、axis.com/supportからダウンロードできます。

本製品は、ほとんどのオペレーティングシステムとブラウザでご利用いただけます。推奨ブラウザは以下のとおりです。

- Internet Explorer® (Windows®の場合)
- Safari® (OS X®の場合)
- Chrome™またはFirefox® (その他のオペレーティングシステムの場合)

製品の使用の詳細については、Axisのホームページ (axis.com) でユーザーズマニュアルを参照してください

工場出荷時の設定にリセットする方法

重要

工場出荷時の設定へのリセットは慎重に行ってください。工場出荷時の設定へのリセットを行うと、IPアドレスを含むすべての設定が工場出荷時の値にリセットされます。

本製品を工場出荷時の設定にリセットするには、以下の手順を実行します。

1. コントロールボタンと再起動ボタンを同時に押し、そのまま押し続けます。
2. 再起動ボタンを離し、コントロールボタンを押し続けます。
3. 電源インジケーターが緑色に変わり、ステータスインジケーターが黄色に変わるまで (最大15秒)、コントロールボタンを押し続けます。
4. コントロールボタンを離します。ステータスインジケーターが緑色になると (最大1分)、プロセスは完了し、製品はリセットされています。
5. プロセスは完了です。これで本製品は工場出荷時の設定にリセットされました。ネットワーク上に利用可能なDHCPサーバーがない場合、デフォルトのIPアドレスは192.168.0.90になります。

Webインターフェースを使用して、各種パラメーターを工場出荷時の設定に戻すこともできます。[Setup > System Options > Maintenance (設定 > システムオプション > メンテナンス)] を選択し、[Default (デフォルト)] をクリックします。

関連情報

- 本書の最新バージョンについては、axis.comにアクセスしてください。
- ユーザーズマニュアルは、axis.comで入手できます。
- ご使用の製品の新しいファームウェアがリリースされていないかを確認するには、axis.com/supportにアクセスしてください。
- 役に立つオンライントレーニングおよびWebセミナーをご用意しております。axis.com/academyをご覧ください。

オプションアクセサリー

本製品で利用可能なすべてのアクセサリーについては、axis.comで本製品のページを開いて「ソフトウェア&アクセサリー」を参照してください。

仕様

最新バージョンの製品データシートについては、Axisのホームページaxis.com > [製品] > [サポートとドキュメント]を参照してください。

LEDインジケーター

LED	カラー	説明
状態	緑	正常動作であれば緑色に点灯。
	黄	起動時、設定の復元時に点灯。
	赤	アップグレードに失敗した場合に、ゆっくりと点滅。
電源	緑	正常動作。
	黄	ファームウェアアップグレード中は緑と黄の交互点滅。

ボタン

コントロールボタン

コントロールボタンの位置については、78ページの、製品の概要を参照してください。

コントロールボタンは、以下の用途で使用します。

- 製品を工場出荷時の設定にリセットする。80ページを参照してください。

再起動ボタン

再起動ボタンを押すと、製品が再起動します。

コネクタ

バスコネクタ

バスコネクタは、ビデオエンコーダシャーシの物理インターフェースとして、電力、ネットワーク、RS485、I/O端末接続を提供します。

BNCコネクタ

各ビデオ入力、同軸/BNCコネクタを使用して終端します。

75Ω同軸ビデオケーブルを使用し、ケーブル長は250 m以下にすることをお勧めします。

注意

ビデオ入力の75Ωビデオ終端は、本製品の設定ページの [Video & Audio > Camera Settings > Video termination] (ビデオと音声 > カメラ設定 > ビデオ終端) で有効または無効にすることができます。ビデオ終端は、工場出荷時に有効になっています。本製品を別の装置と並列に接続する場合、最適な画質を得るため、ビデオ信号チェーンの最後のデバイスのみビデオ終端を有効にすることを勧めます。

音声コネクタ

本製品は、以下の音声コネクタを搭載しています。

- **音声入力 (ピンク)** – モノラルマイクロフォンまたはライン入力モノラル信号用3.5 mm入力。
- **音声出力 (緑)** – 3.5 mm音声 (ラインレベル) 出力 (パブリックアドレス (PA) システムまたはアンプ内蔵アクティブスピーカーに接続可能)。音声出力には、ステレオコネクタを使用することをお勧めします。

音声入力には、ステレオ信号の左チャンネルが使用されます。

3.5 mm音声コネクタ (ステレオ) 1 2 3



	1 チップ	2 リング	3 スリーブ
音声入力			グラウンド
音声出力	ライン出力、モノラル	ライン出力、モノラル	グラウンド

注意

より確実に接続するには、ネジ式の音声コネクタを使用します。ジャックはM6×0.5のネジ式ロックカラーコネクタと互換です。製品の音声取り付け用ナットを外してから、ネジ式の音声コネクタ付きのケーブルを接続してください。音声取り付け用ナットの位置については、を参照してください。

ピン配置

AXIS 291 1U Video Server Rack (ビデオサーバーラック) のI/Oコネクターのピン割り当て

ピン	機能	説明	
1	+12 V出力、100mA		
2	GND		
3	チャンネル1、設定可能I/O 1	<p>デジタル入力-アクティブにするにはGNDに接続し、非アクティブにするにはフロート状態(つまり、未接続)のままにします。</p> <p>デジタル出力-オープンドレインNFETトランジスターを使用。ソースをGNDに接続。外部リレーとともに使用する場合は、過渡電圧から保護するため、ダイオードを負荷と並列に接続する必要があります。</p> <p>最低入力 = - 40 V DC 最大入力 = + 40 V DC 最大負荷 = 100 mA 最大電圧 = + 40 V DC (トランジスタへの数値)</p>	
4	チャンネル2、設定可能I/O 1		
5	チャンネル3、設定可能I/O 1		
6	チャンネル4、設定可能I/O 1		
7	チャンネル1、設定可能I/O 2		
8	チャンネル2、設定可能I/O 2		
9	チャンネル3、設定可能I/O 2		
10	チャンネル4、設定可能I/O 2		
11	RS485A		PTZ装置などの補助装置の制御に使用する半二重RS485インターフェース。
12	RS485B		

AXIS Q7900シャーシ、AXIS Q7920シャーシのI/Oコネクタのピン割り当て

ピン	機能	説明
1	チャンネル1、設定可能I/O 1	デジタル入力-アクティブにするにはGNDに接続し、非アクティブにするにはフロート状態(つまり、未接続)のままにします。 デジタル出力-オープンドレインNFETトランジスタを使用。ソースをGNDに接続。外部リレーとともに使用する場合は、過渡電圧から保護するため、ダイオードを負荷と並列に接続する必要があります。
2	チャンネル2、設定可能I/O 1	
3	チャンネル3、設定可能I/O 1	
4	チャンネル4、設定可能I/O 1	
5	チャンネル1、設定可能I/O 2	
6	チャンネル2、設定可能I/O 2	
7	チャンネル3、設定可能I/O 2	
8	チャンネル4、設定可能I/O 2	
9	使用しません	
10	使用しません	
11	使用しません	
12	使用しません	

最低入力 = -40 V DC
 最大入力 = +40 V DC
 最大負荷 = 100 mA
 最大電圧 = +40 V DC
 (トランジスタへの数値)

AXIS P7224 Video Encoder Blade

RS485 コネクタのピン割り当て - AXIS Q7900 シャーシ、AXIS Q7920 シャーシ

ピン	機能	説明
1	チャンネル1、RS485A	PTZ装置などの補助装置の制御に使用する半二重RS485インターフェース。
2	チャンネル1、RS485B	
3	チャンネル2、RS485A	
4	チャンネル2、RS485B	
5	チャンネル3、RS485A	
6	チャンネル3、RS485B	
7	チャンネル4、RS485A	
8	チャンネル4、RS485B	
9	使用しません	
10	使用しません	
11	使用しません	
12	使用しません	

安全情報

危険レベル

▲危険

回避しない場合、死亡または重傷につながる危険な状態を示します。

▲警告

回避しない場合、死亡または重傷につながるおそれのある危険な状態を示します。

▲注意

回避しない場合、軽傷または中程度の怪我につながるおそれのある危険な状態を示します。

注記

回避しない場合、器物の破損につながるおそれのある状態を示します。

その他のメッセージレベル

重要

製品を正しく機能させるために不可欠な重要情報を示します。

注意

製品を最大限に活用するために役立つ有用な情報を示します。

安全手順

▲警告

本製品の設置は、お使いになる地域の法律や規制に準拠して、訓練を受けた専門技術者が行ってください。

注記

- 本製品は、お使いになる地域の法律や規制に準拠して使用してください。
- 本製品は乾燥した換気のよい環境に保管してください。
- 本製品に衝撃または強い圧力を加えないでください。
- 本製品を設置する際には、適切な工具のみを使用してください。電動工具を使用して過剰な力をかけると、製品が損傷することがあります。
- 製品の技術仕様に準拠したアクセサリのみを使用してください。これらのアクセサリは、Axisまたはサードパーティから入手できます。Axisは、ご使用の製品と互換性のあるAxis給電ネットワークスイッチの使用を推奨します。
- Axisが提供または推奨する交換部品のみを使用してください。
- 製品を自分で修理しないでください。修理については、Axisサポートまたは販売代理店にお問い合わせください。

輸送

注記

- 本製品を運搬する際は、製品が損傷しないよう、元の梱包が同等の梱包を使用してください。

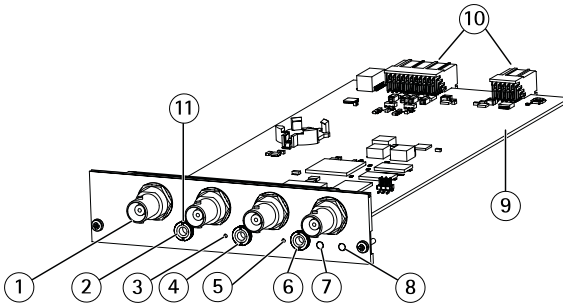
安装步骤

1. 请确保包装内含物、工具以及安装所需的其他材料状况良好。请参见 [第91页](#)。
2. 仔细阅读产品概述。请参见 [第92页](#)。
3. 仔细阅读规格。请参见 [第96页](#)。
4. 安装硬件。请参见 [第93页](#)。

包装内容

- AXIS P7224
- 印刷材料
 - 安装指南（本文档）
 - 额外序号标签

产品概述



- 1 4个视频输入
- 2 音频输入 1
- 3 控制按钮
- 4 音频输入 2
- 5 重启按钮
- 6 音频输出 1
- 7 状态 LED
- 8 电源 LED
- 9 P/N 和 S/N *
- 10 总线连接器
- 11 音频安装螺母

*零件号 (P/N) 和序列号 (S/N)。安装期间可能需要序列号。

尺寸:

30 x 129 x 255 毫米 (1.2 x 5.1 x 10.0 英寸) ， 包括连接器在内。

如何安装产品

安装硬件

AXIS P7224 专门为安装在以下视频编码器机架中而设计。

- AXIS 291 1U 视频服务器机架
- AXIS Q7900 机架
- AXIS Q7920 底架

遵照机架/底架随附的安装指南中的说明来安装此安讯士产品。这些安装指南可在 www.axis.com 上获得

如何访问产品

AXIS IP Utility 和 AXIS Camera Management 是用于在网络上查找安讯士产品以及在 Windows® 中为其分配 IP 地址的建议方法。这两种应用程序都是免费的，可以从 axis.com/support 上进行下载

该产品可与大多数操作系统和浏览器兼容。我们建议使用以下浏览器：

- Internet Explorer®, 用于 Windows®
- Safari®, 用于 OS X®
- Chrome™ 或 Firefox®, 用于其他操作系统。

有关使用产品的更多信息，请参阅 axis.com 上提供的用户手册

如何重置为出厂默认设置

重要

重置为出厂默认设置时应谨慎。重置为出厂默认设置会将所有设置（包括 IP 地址）重置为出厂默认设置。

将产品重置为出厂默认设置：

1. 同时按住控制按钮和重启按钮。
2. 松开重启按钮并按住控制按钮。
3. 一直按住控制按钮，直到电源指示灯变绿且状态指示灯变成淡黄色（这可能最多需要 15 秒）。
4. 松开控制按钮。当状态指示灯显示绿色时（这可能最多需要 1 分钟），此过程完成，并且该装置已重置。
5. 该过程现已完成。产品已重置为出厂默认设置。如果网络上没有可用的 DHCP 服务器，则默认 IP 地址为 192.168.0.90

也可通过网页界面将参数重置为出厂默认设置。转到 **设置 > 系统选项 > 维护** 并点击 **默认设置**。

更多信息

- 有关本文档的最新版本，请参见 axis.com
- 用户手册可从 axis.com 获取
- 要检查是否有产品的可用更新固件，请参见 axis.com/support
- 如需有用的在线培训和在线研讨会，请参见 axis.com/academy

可选附件

欲查看本产品可用附件的完整列表，请转到 axis.com 上的产品页并选择“软件和附件”。

规格

欲查找最新版本的产品数据表，请转到 axis.com > [产品] > 支持和文档。

LED 指示灯

LED	颜色	指示
状态	绿色	稳定绿色表示正常工作。
	淡黄色	在启动期间和还原设置时稳定。
	红色	缓慢闪烁表示升级失败。
电源	绿色	正常工作。
	淡黄色	在固件升级过程中呈绿色/淡黄色闪烁。

按钮

控制按钮

有关控制按钮的位置，请参见 *产品概述* 在第92页。

控制按钮用于：

- 将产品重置为出厂默认设置。请参见第94页。

重启按钮

按下重启按钮以重启产品。

接口

总线连接器

总线连接器是连接至视频编码器底架的物理接口，可提供电源、网络、RS485 和 I/O 端子连接。

BNC 连接器

使用一个同轴电缆/BNC 连接器终止每个视频输入。

连接一根 75 欧姆的同轴视频电缆；建议最长为 250 米（800 英尺）。

备注

可通过产品网页上的**视频和音频 > 摄像机设置 > 视频终端**在出厂默认设置中，视频终端为启用状态。如果产品与其他设备以并联方式连接，为了获得出色的视频质量，则建议仅启用视频信号链中最后一个设备的视频终端。

音频连接器

安讯士产品具有以下音频连接器：

- **音频输入（粉色）** – 3.5 毫米输入，用于单声道麦克风或线路输入单声道信号。
- **音频输出（绿色）** – 用于音频（线路级）的 3.5 毫米输出，可连接到公共地址 (PA) 系统或带有内置放大器的有源扬声器。建议将立体声连接器用于音频输出。

对于音频输入，左声道用于立体声信号。

3.5 毫米音频连接器
(立体声)



	1 尖部	2 中间环	3 尾段	ZH
音频输入			接地	
音频输出	线路输出，单声道	线路输出，单声道	接地	

备注

为了实现更安全的连接，请使用螺纹音频连接器。插孔与 M6 x 0.5 螺纹锁圈连接器兼容。连接带有螺纹音频连接器的电缆之前，请移除该产品的音频安装螺母。若要定位音频安装螺母，请参见。

引脚分配

AXIS 291 1U 视频服务器机架 I/O 连接器的针脚分配

针脚	功能	说明
1	+12 V 输出，100 mA	
2	接地	

AXIS P7224 Video Encoder Blade

3	通道 1, 可配置的 I/O 1	<p>数字输入 - 连接到接地以启用, 或保持浮动状态 (或断开连接) 以停用。</p> <p>数字输出 - 使用一个开漏 NFET 晶体管, 其信号源连接至接地。如果与一个外部继电器一起使用, 则二极管必须与负载并联连接, 以防止电压瞬变。</p>	<p>最小输入 = - 40 V DC 最大输入 = + 40 V DC 最大载荷电流 = 100 mA 最大电压 = + 40 V DC (至晶体管)</p>	
4	通道 2, 可配置的 I/O 1			
5	通道 3, 可配置的 I/O 1			
6	通道 4, 可配置的 I/O 1			
7	通道 1, 可配置的 I/O 2			
8	通道 2, 可配置的 I/O 2			
9	通道 3, 可配置的 I/O 2			
10	通道 4, 可配置的 I/O 2			
11	RS485A			<p>一个用于控制辅助设备 (例如 PTZ 设备) 的半双工 RS485 接口。</p>
12	RS485B			

AXIS Q7900 底架和 AXIS Q7920 底架 I/O 连接器的针分配

针	功能	描述	
1	通道 1, 可配置的 I/O 1	<p>数字输入 - 连接至接地以激活, 或保留浮动状态 (或断开连接) 以停用。</p> <p>数字输出 - 使用一个开漏 NFET 晶体管, 其信号源连接至接地。如果与一个外部继电器一起使用, 则二极管必须与负载并联连接, 以防止电压瞬变。</p>	<p>最小输入 = - 40 V DC 最大输入 = + 40 V DC 最大负载 = 100mA 最大电压 = + 40 V DC (至晶体管)</p>
2	通道 2, 可配置的 I/O 1		
3	通道 3, 可配置的 I/O 1		
4	通道 4, 可配置的 I/O 1		
5	通道 1, 可配置的 I/O 2		
6	通道 2, 可配置的 I/O 2		

7	通道 3, 可配置的 I/O 2	
8	通道 4, 可配置的 I/O 2	
9	未用	
10	未用	
11	未用	
12	未用	

AXIS Q7900 底架和 AXIS Q7920 底架 RS485 连接器的针分配

针	功能	描述
1	通道 1, RS485A	一个用于控制辅助设备（例如 PTZ 设备）的半双工 RS485 接口。
2	通道 1, RS485B	
3	通道 2, RS485A	
4	通道 2, RS485B	
5	通道 3, RS485A	
6	通道 3, RS485B	
7	通道 4, RS485A	
8	通道 4, RS485B	
9	未用	
10	未用	
11	未用	
12	未用	

安全信息

危险等级

▲危险

表示如果不避免则会导致死亡或严重伤害的危险情况。

▲警告

表示如果不避免则可能导致死亡或严重伤害的危险情况。

▲小心

表示如果不避免则可能导致轻微或中度伤害的危险情况。

注意

表示如果不避免则可能导致财产损失的情况。

其他消息等级

重要

表示产品正常工作所必需的重要信息。

备注

表示有助于充分利用产品的有用信息。

安全说明

警告

安讯士产品应由受过培训的专业人员进行安装，并遵守当地法律和法规。

注意

- 使用安讯士产品时应遵守当地法律和法规。
- 在干燥通风的环境中存放安讯士产品。
- 避免将安讯士产品暴露在冲击或重压下。
- 安装安讯士产品时，仅使用适用的工具。使用电动工具过度施力可能导致产品损坏。
- 仅使用符合产品技术规格的附件。这些附件可由安讯士或第三方提供。安讯士推荐使用与产品兼容的安讯士电源设备。
- 仅使用安讯士提供或推荐的备件。
- 请勿尝试自行维修产品。有关服务事项，请联系安讯士支持部门或安讯士经销商。

运输

注意

- 安讯士产品运输途中，应使用其原包装或等效包装，以防对产品造成损坏。

Installation Guide

AXIS P7224 Video Encoder Blade

© 2011 - 2021 Axis Communications AB

Ver. M2.2

Date: May 2021

Part No. 1748451