

AXIS T93F Series

AXIS T93F05 Protective Housing

AXIS T93F10 Outdoor Housing

AXIS T93F20 Outdoor Housing

Installation Guide

Legal Considerations

Video and audio surveillance can be regulated by laws that vary from country to country. Check the laws in your local region before using this product for surveillance purposes.

Liability

Every care has been taken in the preparation of this document. Please inform your local Axis office of any inaccuracies or omissions. Axis Communications AB cannot be held responsible for any technical or typographical errors and reserves the right to make changes to the product and manuals without prior notice. Axis Communications AB makes no warranty of any kind with regard to the material contained within this document, including, but not limited to, the implied warranties of merchantability and fitness for a particular purpose. Axis Communications AB shall not be liable nor responsible for incidental or consequential damages in connection with the furnishing, performance or use of this material. This product is only to be used for its intended purpose.

Intellectual Property Rights

Axis AB has intellectual property rights relating to technology embodied in the product described in this document. In particular, and without limitation, these intellectual property rights may include one or more of the patents listed at www.axis.com/patent.htm and one or more additional patents or pending patent applications in the US and other countries.

Equipment Modifications


This equipment must be installed and used in strict accordance with the instructions given in the user documentation. This equipment contains no user-serviceable components. Unauthorized equipment changes or modifications will invalidate all applicable regulatory certifications and approvals.

Trademark Acknowledgments

AXIS COMMUNICATIONS, AXIS, ETRAX, ARTPEC and VAPIX are registered trademarks or trademark applications of Axis AB in various jurisdictions. All other company names and products are trademarks or registered trademarks of their respective companies.

Regulatory Information

Europe

 This product complies with the applicable CE marking directives and harmonized standards:

- (AXIS T93F10, AXIS T93F20) Electromagnetic Compatibility (EMC) Directive 2004/108/EC. See *Electromagnetic Compatibility (EMC) on page 2*.
- Low Voltage (LVD) Directive 2006/95/EC. See *Safety on page 3*.
- Restrictions of Hazardous Substances (RoHS) Directive 2011/65/EU. See *Disposal and Recycling on page 3*.

A copy of the original declaration of conformity may be obtained from Axis Communications AB. See *Contact Information on page 3*.

Electromagnetic Compatibility (EMC)

This equipment has been designed and tested to fulfill applicable standards for:

- Radio frequency emission when installed according to the instructions and used in its intended environment.
- Immunity to electrical and electromagnetic phenomena when installed according to the instructions and used in its intended environment.

USA

AXIS T93F10: This equipment has been tested using an unshielded network cable (UTP) and found to comply with the limits for a Class A digital device, pursuant to part 15 of the FCC rules. This equipment has also been tested using a shielded network cable (STP) and found to comply with the limits for a Class A digital device, pursuant to part 15 of the FCC rules. These limits are designed to provide reasonable protection against harmful interference when the equipment is operated in a commercial environment. This equipment generates, uses, and can radiate radio frequency energy and, if not installed and used in accordance with the instruction manual, may cause harmful interference to radio communications. Operation of this equipment in a residential area is likely to cause harmful interference in which case the user will be required to correct the interference at his own expense.

USA

AXIS T93F20: Using an unshielded network cable (UTP) – This equipment has been tested using an unshielded network cable (UTP) and found to comply with the limits for a Class A digital device, pursuant to part 15 of the FCC Rules. These limits are designed to provide reasonable protection against harmful interference when the equipment is operated in a commercial environment. This equipment generates, uses, and can radiate radio frequency energy and, if not installed and used in accordance with the instruction manual, may cause harmful interference to radio communications. Operation of this equipment in a residential area is likely to cause harmful interference in which case the user will be required to correct the interference at his own expense.

AXIS T93F20: Using a shielded network cable (STP) – This equipment has also been tested using a shielded network cable (STP) and found to comply with the limits for a Class B digital device, pursuant to part 15 of the FCC Rules. These limits are designed to provide reasonable protection against harmful interference in a residential installation. This equipment generates, uses and can radiate radio frequency energy and, if not installed and used in accordance with the instructions, may cause harmful interference to radio communications. However, there is no guarantee that interference will not occur in a particular installation. If this equipment does cause harmful interference to radio or television reception, which can be determined by turning the equipment off and on, the user is encouraged to try to correct the interference by one or more of the following measures:

- Reorient or relocate the receiving antenna.
- Increase the separation between the equipment and receiver.
- Connect the equipment into an outlet on a circuit different from that to which the receiver is connected.
- Consult the dealer or an experienced radio/TV technician for help.

To be used in a residential area or a demanding electrical environment, the product shall be connected using a shielded network cable (STP) that is properly grounded.

Canada

AXIS T93F10: This digital apparatus complies with CAN ICES-3 (Class A). The product shall be connected using a shielded network cable (STP) that is properly grounded. Cet appareil numérique est conforme à la norme NMB ICES-3 (classe A). Le produit doit être connecté à l'aide d'un câble réseau blindé (STP) qui est correctement mis à la terre.

Canada

AXIS T93F20: This digital apparatus complies with CAN ICES-3 (Class B). The product shall be connected using

a shielded network cable (STP) that is properly grounded. Cet appareil numérique est conforme à la norme CAN NMB-3 (classe B). Le produit doit être connecté à l'aide d'un câble réseau blindé (STP) qui est correctement mis à la terre.

Europe

AXIS T93F10: This digital equipment fulfills the requirements for RF emission according to the Class A limit of EN 55022. The product shall be connected using a shielded network cable (STP) that is properly grounded. Notice! This is a Class A product. In a domestic environment this product may cause RF interference, in which case the user may be required to take adequate measures.

Europe

AXIS T93F20: This digital equipment fulfills the requirements for RF emission according to the Class B limit of EN 55022. The product shall be connected using a shielded network cable (STP) that is properly grounded.

This product fulfills the requirements for emission and immunity according to EN 550121-4 and IEC 62236-4 railway applications.

This product fulfills the requirements for immunity according to EN 61000-6-1 residential, commercial and light-industrial environments.

This product fulfills the requirements for immunity according to EN 61000-6-2 industrial environments.

This product fulfills the requirements for immunity according to EN 55024 office and commercial environments

Australia/New Zealand

AXIS T93F10: This digital equipment fulfills the requirements for RF emission according to the Class A limit of AS/NZS CISPR 22. The product shall be connected using a shielded network cable (STP) that is properly grounded. Notice! This is a Class A product. In a domestic environment this product may cause RF interference, in which case the user may be required to take adequate measures.

Australia/New Zealand

AXIS T93F20: This digital equipment fulfills the requirements for RF emission according to the Class B limit of AS/NZS CISPR 22. The product shall be connected using a shielded network cable (STP) that is properly grounded.

Japan

AXIS T93F10:この装置は、クラスA 情報技術装置です。この装置を家庭環境で使用すると電波妨害を引き起こすことがあります。この場合には使用者が適切な対策を講ずるよう要求されることがあります。本製品は、シールドネットワークケーブル(STP)を使用して接続してください。また適切に接地してください。

Japan

AXIS T93F20:この装置は、クラスB 情報技術装置です。この装置は、家庭環境で使用することを目的としていますが、この装置がラジオやテレビジョン受信機に近接して使用されると、受信障害を引き起こすことがあります。取扱説明書に従って正しい取り扱いをして下さい。本製品は、シールドネットワークケーブル(STP)を使用して接続してください。また適切に接地してください。

Korea

AXIS T93F20 / AXIS T93F20:이 기기는 가정용(B급) 전자파 적합 기기로서 주로 가정에서 사용하는 것을 목적으로 하며, 모든 지역에서 사용할 수 있습니다. 적절히 접지된 STP (shielded twisted pair) 케이블을 사용하여 제품을 연결하십시오.

Safety

This product complies with IEC/EN/UL 60950-1 and IEC/EN/UL 60950-22, Safety of Information Technology Equipment. The product shall be grounded either through a shielded network cable (STP) or other appropriate method.

Disposal and Recycling

When this product has reached the end of its useful life, dispose of it according to local laws and regulations. For information about your nearest designated collection point, contact your local authority responsible for waste disposal. In accordance with local legislation, penalties may be applicable for incorrect disposal of this waste.

Europe



■ This symbol means that the product shall not be disposed of together with household or commercial waste. Directive 2012/19/EU on waste electrical and electronic equipment (WEEE) is applicable in the European Union member states. To prevent potential harm to human health and the environment, the product must be disposed of in an approved and environmentally safe recycling process. For information about your nearest designated collection point, contact your local authority responsible for waste disposal. Businesses should contact the product supplier for information about how to dispose of this product correctly.

This product complies with the requirements of Directive 2011/65/EU on the restriction of the use of certain hazardous substances in electrical and electronic equipment (ROHS).

China



This product complies with the requirements of the legislative act Administration on the Control of Pollution Caused by Electronic Information Products (ACPEIP).

Contact Information

Axis Communications AB
Emdalavägen 14
223 69 Lund
Sweden

Tel: +46 46 272 18 00

Fax: +46 46 13 61 30

www.axis.com

Support

Should you require any technical assistance, please contact your Axis reseller. If your questions cannot be answered immediately, your reseller will forward your queries through the appropriate channels to ensure a rapid response. If you are connected to the Internet, you can:

- download user documentation and software updates
- find answers to resolved problems in the FAQ database. Search by product, category, or phrase
- report problems to Axis support staff by logging in to your private support area
- chat with Axis support staff (selected countries only)
- visit Axis Support at www.axis.com/techsup/

Learn More!

Visit Axis learning center www.axis.com/academy/ for useful trainings, webinars, tutorials and guides.

Safety Information

Read through this Installation Guide carefully before installing the product. Keep the Installation Guide for future reference.

Hazard Levels

▲DANGER

Indicates a hazardous situation which, if not avoided, will result in death or serious injury.

▲WARNING

Indicates a hazardous situation which, if not avoided, could result in death or serious injury.

▲CAUTION

Indicates a hazardous situation which, if not avoided, could result in minor or moderate injury.

NOTICE

Indicates a situation which, if not avoided, could result in damage to property.

Other Message Levels

Important

Indicates significant information which is essential for the product to function correctly.

Note

Indicates useful information which helps in getting the most out of the product.

AXIS T93F Series

Safety Instructions

NOTICE

- The Axis product shall be used in compliance with local laws and regulations.
- Store the Axis product in a dry and ventilated environment.
- Avoid exposing the Axis product to shocks or heavy pressure.
- Do not install the product on unstable brackets, surfaces or walls.
- Use only applicable tools when installing the Axis product. Excessive force could cause damage to the product.
- Do not use chemicals, caustic agents, or aerosol cleaners.
- Use a clean cloth dampened with pure water for cleaning.
- Use only accessories that comply with technical specification of the product. These can be provided by Axis or a third party.
- Use only spare parts provided by or recommended by Axis.
- Do not attempt to repair the product by yourself. Contact Axis support or your Axis reseller for service matters.

Transportation

NOTICE

- When transporting the Axis product, use the original packaging or equivalent to prevent damage to the product.

Installation Guide

This Installation Guide provides instructions for installing AXIS T93F05 Protective Housing, AXIS T93F10 Outdoor Housing and AXIS T93F20 Outdoor Housing.

To install the camera on the network, please see the Installation Guide provided with the camera. For other details about the camera, see the User Manual available at www.axis.com

Installation Steps

1. Make sure the package contents, tools and other materials necessary for the installation are in order. See *page 7*.
2. Study the hardware overview. See *page 9*.
3. Study the specifications. See *page 13*.
4. Install the hardware. See *page 15*.

Package Contents

- Housing
 - AXIS T93F05 Protective Housing, or
 - AXIS T93F10 Outdoor Housing (AC/DC), or
 - AXIS T93F20 Outdoor Housing (PoE)
- AXIS T94Q01A Wall Mount with internal cable channel
- Screw bit T30
- AXIS Connector Guard A
- 2 pin plug connector for AC/DC power cable (AXIS T93F10)
- Cable
 - Power cable – for connecting the camera to the housing (AXIS T93F10), or
 - Network cable – for connecting the camera to the housing (AXIS T93F20)
- AXIS Cable Gaskets M20
- Desiccant bag
- Printed materials
 - Installation Guide (this document)
 - Installation Guide for AXIS T94Q01A Wall Mount

Recommended Tools

- Drill – for installing the wall mount
- Torx screwdriver T20 (included in all compatible camera packages)

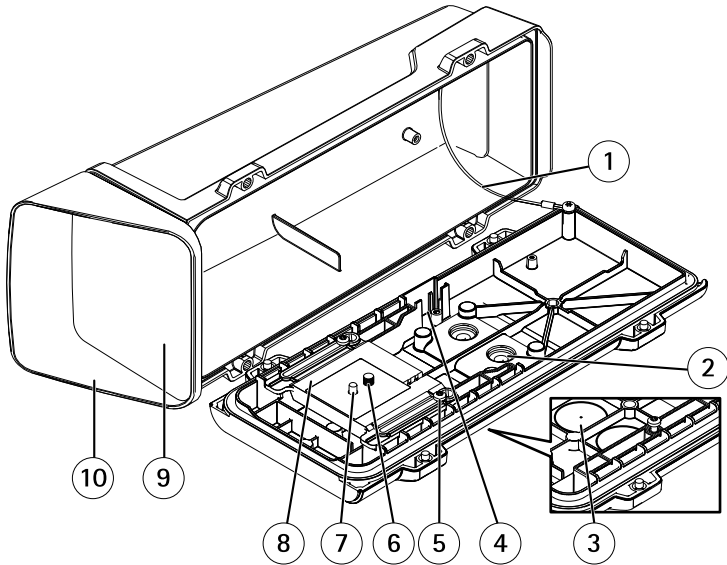
Optional Accessories

- AXIS Sunshield A
- AXIS Corridor Format Bracket A (AXIS T93F20)
- AXIS Corridor Format Bracket B (AXIS T93F10)
- AXIS Door Switch A
- AXIS T94R01P Conduit Back Box
- Illuminators
- Housing Mounts
- Cable gaskets and cable glands
- AXIS T98A16-VE Surveillance Cabinet
- AXIS T91A47 Pole Mounts
- VT Ceiling Bracket Int cable WCM4A
- VT Corner Mount WCWA

For information about available accessories, see www.axis.com

Hardware Overview

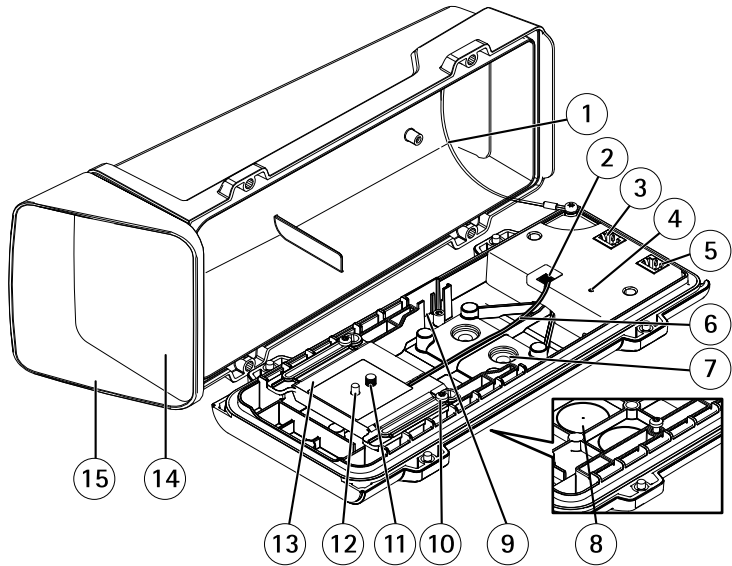
Housing



AXIS T93F05 Protective Housing

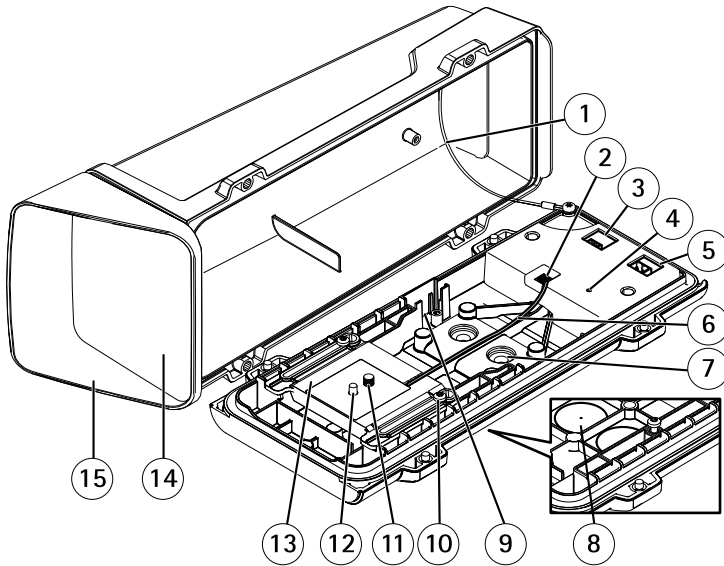
- 1 Safety wire
- 2 Cable gasket M20 (2x)
- 3 Drill-out (2x)
- 4 Slot for intrusion alarm switch – supports AXIS Door Switch A (sold separately)
- 5 Holder screw T20 (2x)
- 6 Camera screw T20
- 7 Pin
- 8 Holder
- 9 Window
- 10 Top cover

AXIS T93F Series



AXIS T93F20 Outdoor Housing

- 1 Safety wire
- 2 Heater connector
- 3 Network connector (PoE OUT)
- 4 Status LED indicator
- 5 Network connector (PoE IN)
- 6 Heater cable
- 7 Cable gasket M20 (2x)
- 8 Drill-out (2x)
- 9 Slot for intrusion alarm switch – supports AXIS Door Switch A (sold separately)
- 10 Holder screw T20 (2x)
- 11 Camera screw T20
- 12 Pin
- 13 Holder
- 14 Window
- 15 Top cover

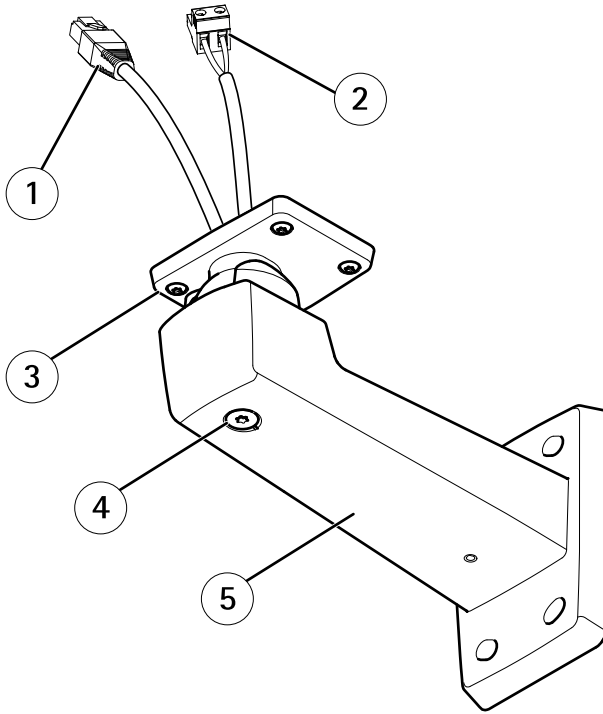


AXIS T93F10 Outdoor Housing

- 1 Safety wire
- 2 Heater connector
- 3 Power connector (POWER OUT)
- 4 Status LED indicator
- 5 Power connector (POWER IN)
- 6 Heater cable
- 7 Cable gasket M20 (2x)
- 8 Drill-out (2x)
- 9 Slot for intrusion alarm switch – supports AXIS Door Switch A (sold separately)
- 10 Holder screw T20 (2x)
- 11 Camera screw T20
- 12 Pin
- 13 Holder
- 14 Window
- 15 Top cover

AXIS T93F Series

Wall Mount



- 1 Network cable (route through wall bracket)
- 2 Power cable (route through wall bracket) (AXIS T93F10)
- 3 Screw T20 (4x)
- 4 Bracket adjustment screw T30
- 5 Wall bracket

LED Indicators (AXIS T93F10, AXIS T93F20)

LED	Color	Indication
Status	Green	Normal operation
	Green, single flash	Heater error
	Green, double flash	Self test
	Green, triple flash	General error

Connectors and Buttons

For specifications and operating conditions, see *page 13*.

Network Connector (AXIS T93F20)

RJ45 Ethernet connector. Supports Power over Ethernet (PoE).

- PoE IN – Supplies the housing with power and Ethernet. Connect to network through a PoE-enabled network switch.
- PoE OUT – Supplies the camera with power and Ethernet. Connect between the housing and the camera.

NOTICE

Due to local regulations or the environmental and electrical conditions in which the product is to be used, a shielded network cable (STP) may be appropriate or required. All cables connecting the product to the network and that are routed outdoors or in demanding electrical environments shall be intended for their specific use. Make sure that the network devices are installed in accordance with the manufacturer's instructions. For information about regulatory requirements, see *Regulatory Information on page 2*.

Heater Connector (AXIS T93F10, AXIS T93F20)

4-pin terminal block used to power the holder's built-in heater and temperature sensor.

Power Connectors (AXIS T93F10)

Terminal connectors for AC/DC power.

- POWER IN – Supplies housing with power. Connect to external AC/DC power supply. The connector is polarity independent.
- POWER OUT – Supplies camera with power. Connect between the housing and the camera.

Specifications

Operating Conditions

The Axis product is intended for indoor and outdoor use.

Classification	
AXIS T93F05/AXIS T93F10/AXIS T93F20	IEC 60721-4-3 Class 4M4 IEC 60529 IP66 NEMA 250 Type 4X

AXIS T93F Series

Temperature		
AXIS T93F05 ¹ /AXIS T93F10/AXIS T93F20		-40 °C to 60 °C (-40 °F to 140 °F)
AXIS T93F05 ¹	AXIS P13 Series	0 °C to 45 °C (32 °F to 113 °F)
	AXIS Q1604/Q1614	0 °C to 45 °C (32 °F to 113 °F)
	AXIS Q1615	0 °C to 50 °C (32 °F to 122 °F)
AXIS T93F10 AXIS T93F20	AXIS P13 Series	-40 °C to 45 °C (-40 °F to 113 °F)
	AXIS Q1604/Q1614	-40 °C to 45 °C (-40 °F to 113 °F)
	AXIS Q1615/Q1635	-40 °C to 50 °C (-40 °F to 122 °F)

Important

(AXIS T93F10, AXIS T93F20) When the ambient temperature is below 0 °C (32 °F), start-up could take up to 60 minutes. The colder it is, the longer the start-up.

Humidity	
AXIS T93F05/AXIS T93F10/AXIS T93F20	15–100% RH (condensing)

Storage Conditions

Temperature	
AXIS T93F05/AXIS T93F10/AXIS T93F20	-40 °C to 75 °C (-40 °F to 167 °F)

Power Consumption

Product	Power supply	Power output (to camera)
AXIS T93F05	n/a	n/a
AXIS T93F10	12–28 V DC, max 25 W 20–24 V AC, max 29 VA	12 V DC, max 1.5 A
AXIS T93F20	Power over Ethernet IEEE 802.3af/802.3at Type 1 Class 3, max 15.4 W	

Cable Area

NOTICE

- Use cables that keep within the specified cable area.
- Select cables in compliance with your local regulations.
- Make sure all cable holes are properly sealed.

Diameter	AWG
5–15 mm (0.197–0.591 in)	Approximately 4–6/0

To create extra cable holes, open the drill-outs located below the holder. See *Hardware Overview on page 9*.

NOTICE

Use cable gaskets or cable glands that match both the cable hole and the cable area.

For information about accessories, such as cable gaskets and cable glands that allow for other cable areas, see www.axis.com

Install the Hardware

NOTICE

- Due to local regulations or the environmental and electrical conditions in which the product is to be used, a shielded network cable (STP) may be appropriate or required. All cables connecting the product to the network and that are routed outdoors or in demanding electrical environments shall be intended for their specific use. Make sure that the network devices are installed in accordance with the manufacturer’s instructions.
 - (AXIS T93F05) For information about regulatory requirements, see the camera’s Installation Guide.
 - (AXIS T93F10, AXIS T93F20) For information about regulatory requirements, see *Regulatory Information on page 2*
- Be careful not to scratch, damage or leave fingerprints on the window because this could decrease image quality.

The Axis product can be installed with the cables routed through or along the wall.

Read all the instructions before installing the product:

1. Install the wall mount. See *page 16*. For detailed instructions, see the wall mount’s Installation Guide, supplied in the package or available on www.axis.com

AXIS T93F Series

2. Attach the housing to the wall mount. See *page 16*.
3. Install the camera in the housing. See *page 19*.

Install the Wall Mount

▲CAUTION

Make sure that the screws and plugs are appropriate for the material (e.g. wood, metal, drywall, stone) and that the material is strong enough to support the combined weight of the camera, housing, and wall mount.

1. Prepare the wall for installation of the wall mount. Use the wall bracket as a template and mark the holes before drilling the holes.
2. Route the network cable through the wall bracket. Leave approximately 30 cm (11.8 in) of cable for connecting the camera.
3. Route the power cable (AXIS T93F10) through the wall bracket. Leave approximately 30 cm (11.8 in) of cable for connecting the camera.
4. If connecting an auxiliary device, for example an I/O, audio, or external power device, to the camera, repeat the step above as applicable to the specific device.
5. Fasten the wall bracket to the wall by tightening the screws.

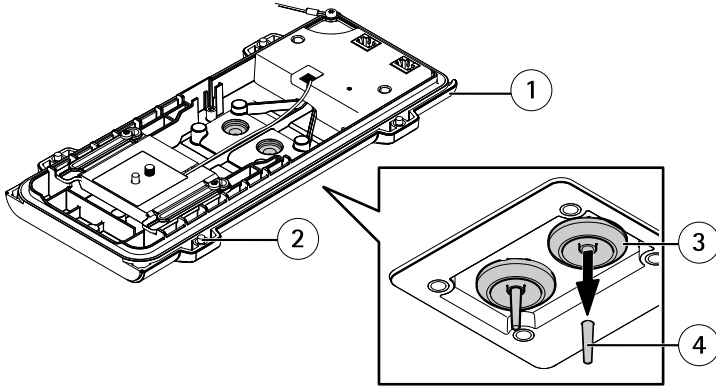
Note

- For detailed instructions, see the wall mount's Installation Guide supplied in the package and available on www.axis.com
- For more technical specifications, see the camera's User Manual available on www.axis.com

Attach the Housing to the Wall Mount

NOTICE

- Use cables that keep within the specified cable area, see *page 15*. Using any other than the provided cable gasket could cause water to seep in and damage the product. For information about cable gaskets and cable glands that allow for other cable areas, see www.axis.com
 - If more than one cable is used, each cable must be routed through a separate cable gasket.
 - Only open a hole in cable gaskets that will be used and if a cable gasket is torn, replace it with a new cable gasket. Leaving a cable gasket open or using a torn cable gasket could cause water to seep in and damage the product.
1. Loosen the bottom cover screws and lift the top cover.
 2. Select which cable gasket to use and pull the tab to open a hole for the network cable.



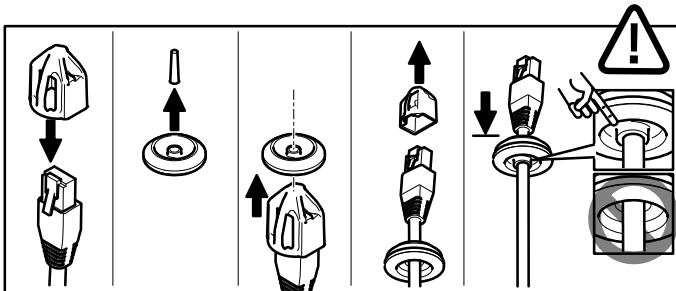
Example image: AXIS T93F20

- 1 Bottom cover
- 2 Bottom cover screw T20 (4x)
- 3 Cable gasket M20 (2x)
- 4 Tab

3. Push the network cable through the cable gasket.

NOTICE

If the network cable has a premounted network connector, remove the cable gasket and use the connector guard to prevent tearing of the cable gasket. Avoid using network cables with capped network connectors because they could cause tearing of the cable gasket despite using the connector guard.

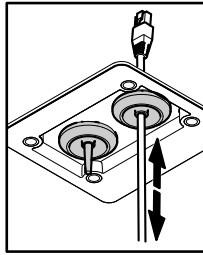


4. Pull the network cable back slightly so that the cable gasket adjusts itself on the cable.

NOTICE

Not pulling the cable back could cause water to seep in and damage the product.

AXIS T93F Series

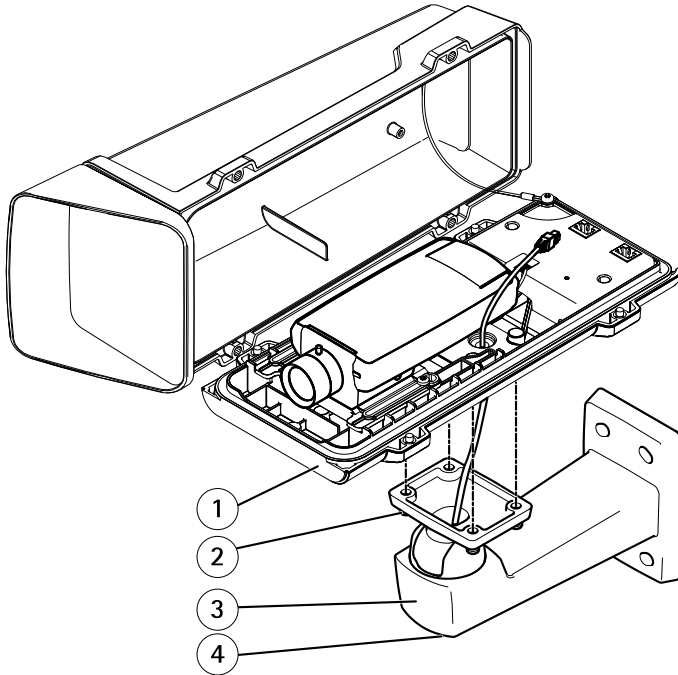


5. Make sure that the cable gasket is fitted properly.
6. Use the other cable gasket for the power cable (AXIS T93F10). Repeat the steps above.

NOTICE

Mount the power connector after the power cable is pushed through the cable gasket.

7. If connecting an auxiliary device, for example an I/O, audio, or external power device, to the camera, repeat the steps above as applicable to the specific device.
8. Put the bottom cover on the wall mount and tighten the screws (torque 2 Nm).



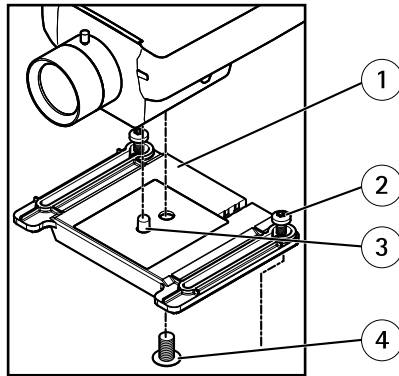
Example image: AXIS T93F20 and AXIS P13 Series

- 1 Bottom cover
- 2 Screw T20 (4x)
- 3 Wall bracket
- 4 Bracket adjustment screw T30

Install the Camera in the Housing

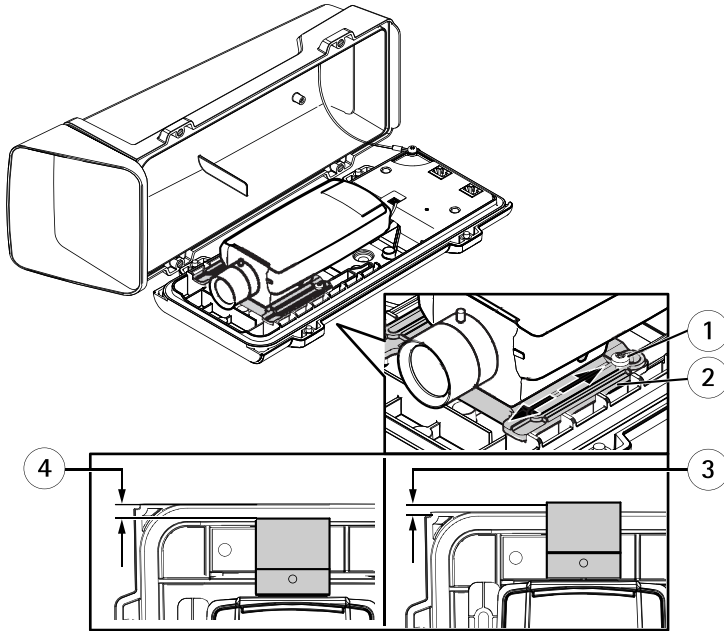
1. Loosen the holder screws, then slide and lift the holder, see illustration below.
2. Attach the holder to the camera. Align the pin and camera screw with the pin hole and screw mount on the camera and tighten the camera screw (torque 1 Nm). Be careful not to overtighten the screw.

AXIS T93F Series



- 1 *Holder*
- 2 *Holder screw T20 (2x)*
- 3 *Pin*
- 4 *Camera screw T20*

3. If connecting external/input devices, audio devices, or external power to the camera, connect them according to the instructions in the camera's Installation Guide.
4. Attach the holder to the bottom cover. Adjust the position of the holder carefully and tighten the holder screws (torque 0.5 Nm).



Example image: AXIS T93F20 and AXIS P13 Series

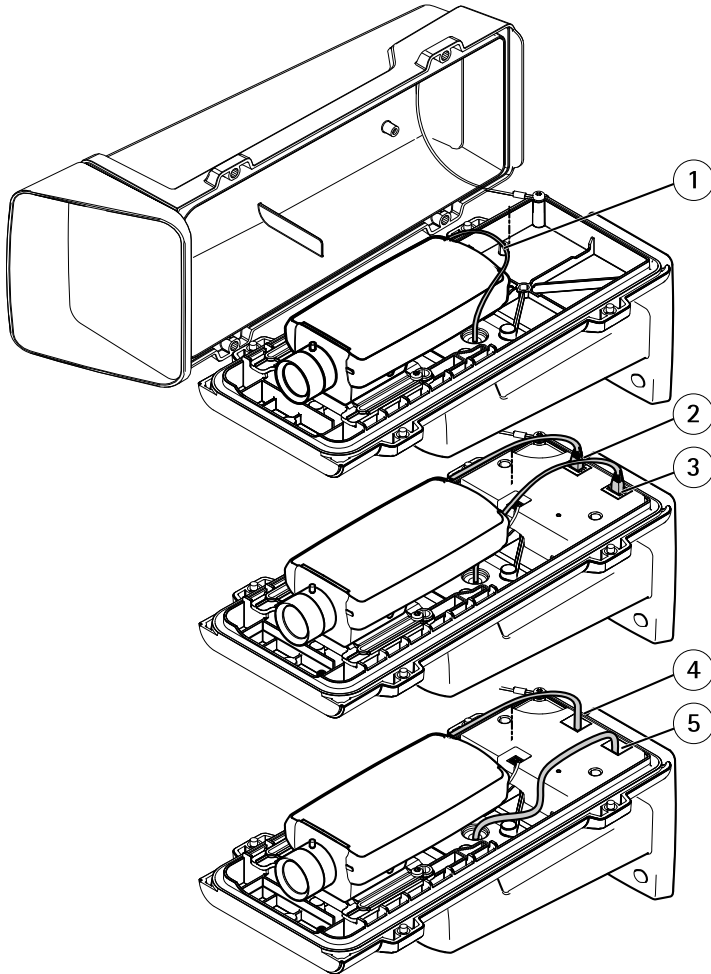
- 1 Holder screw T20 (2x)
- 2 Holder
- 3 Position A (overlap) : +3.7 mm (+0.15 in)
- 4 Position B (gap) : -6 mm to -4 mm (-0.24 in to -0.16 in)

NOTICE

- Position A: To avoid reflections in the image, adjust the holder's position so that the camera lens edge overlaps the bottom cover edge by +3.7 mm (+0.15 in). Note that this position voids the IK10 rating.
 - Position B: To fulfill the IK10 rating requirements, adjust the holder's position so that the gap between the camera lens and bottom cover edges is between -6 mm and -4 mm (-0.24 in and -0.16 in).
5. (AXIS T93F10, AXIS T93F20) Connect the heater cable to the heater connector in the bottom cover.
 6. If using an SD card for local storage, insert the card into the camera's SD card slot.
 7. Connect the network cables.
 - (AXIS T93F05, AXIS T93F10) Connect the camera to the network.

AXIS T93F Series

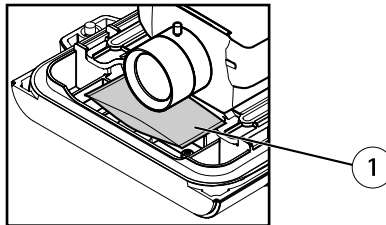
- (AXIS T93F20) Connect the housing to the network (PoE IN) and the camera to the housing (PoE OUT).
8. Connect the power cables (AXIS T93F10). Connect the housing to external power (POWER IN) and the camera to the housing (POWER OUT).



Example images: AXIS T93F05 (top), AXIS T93F20 (middle), AXIS T93F10 (bottom) and AXIS P13 Series

- 1 Network cable
- 2 Network connector (PoE OUT)

- 3 Network connector (PoE IN)
 - 4 Power connector (POWER OUT)
 - 5 Power connector (POWER IN)
9. (AXIS T93F20, AXIS T93F10) Make sure that the housing's status LED indicates the correct condition. See *LED Indicators (AXIS T93F10, AXIS T93F20)* on page 12.
 10. Make sure that the camera LEDs indicate the correct conditions. See the camera's Installation Guide.
 11. Loosen the bracket adjustment screw to aim the camera to the point of interest. For information about how to view the video stream, see the camera's Installation Guide or www.axis.com/techsup
 12. Remove the plastic wrapper from the desiccant bag and put the desiccant bag below the lens.



1 Desiccant bag

13. Close the housing. Make sure to alternately tighten the bottom cover screws a few turns at a time until they are tight (torque 1.5 Nm). This will help ensure that the bottom cover gasket is compressed evenly.

NOTICE

Make sure not to pinch any cables when closing the housing.

14. If using a sunshield (sold separately), place it over the top cover, adjust its position and tighten the screws.

Further Information

Visit Axis learning center www.axis.com/academy for useful trainings, webinars, tutorials and guides.

Warranty Information

For information about Axis' product warranty and thereto related information, see www.axis.com/warranty/

Informations sur la sécurité

Lisez attentivement ce guide d'installation avant d'installer l'appareil. Conservez le guide d'installation pour toute référence ultérieure.

Niveaux de risques

▲ DANGER

Indique une situation dangereuse qui, si elle n'est pas évitée, entraînera le décès ou des blessures graves.

▲ AVERTISSEMENT

Indique une situation dangereuse qui, si elle n'est pas évitée, pourrait entraîner le décès ou des blessures graves.

▲ ATTENTION

Indique une situation dangereuse qui, si elle n'est pas évitée, pourrait entraîner des blessures légères ou modérées.

AVIS

Indique une situation qui, si elle n'est pas évitée, pourrait endommager l'appareil.

Autres niveaux de message

Important

Indique les informations importantes, nécessaires pour assurer le bon fonctionnement de l'appareil.

Note

Indique les informations utiles qui permettront d'obtenir le fonctionnement optimal de l'appareil.

Consignes de sécurité

AVIS

- Le produit Axis doit être utilisé conformément aux lois et réglementations locales en vigueur.
- Conserver ce produit Axis dans un environnement sec et ventilé.
- Ne pas exposer ce produit Axis aux chocs ou aux fortes pressions.
- Ne pas installer ce produit sur des supports, surfaces ou murs instables.
- Utiliser uniquement des outils recommandés pour l'installation de l'appareil Axis. Une force excessive appliquée sur l'appareil pourrait l'endommager.
- Ne pas utiliser de produits chimiques, de substances caustiques ou de nettoyeurs pressurisés.
- Utiliser un chiffon propre imbibé d'eau pure pour le nettoyage.
- Utiliser uniquement des accessoires conformes aux caractéristiques techniques du produit. Ils peuvent être fournis par Axis ou un tiers.
- Utiliser uniquement les pièces de rechange fournies ou recommandées par Axis.
- Ne pas essayer de réparer ce produit par vous-même. Contacter l'assistance technique d'Axis ou votre revendeur Axis pour des problèmes liés à l'entretien.

Transport

AVIS

- Lors du transport du produit Axis, utilisez l'emballage d'origine ou un équivalent pour éviter d'endommager le produit.

Guide d'installation

Ce guide d'installation explique comment installer le boîtier de protection AXIS T93F05, le boîtier d'extérieur AXIS T93F10 et le boîtier d'extérieur AXIS T93F20.

Pour installer la caméra sur le réseau, consultez le guide d'installation fourni avec la caméra. Pour obtenir de plus amples détails relatifs à la caméra, consultez le manuel de l'utilisateur, disponible sur le site www.axis.com

Procédures d'installation

1. Assurez-vous que les outils et autres matériels nécessaires à l'installation sont inclus dans l'emballage. Cf. *page 27*.
2. Consultez la description du matériel. Cf. *page 29*.
3. Étudiez les caractéristiques. Cf. *page 34*.
4. Installez le matériel. Cf. *page 36*.

Contenu de l'emballage

- Boîtier
 - Boîtier de protection AXIS T93F05 ou
 - Boîtier d'extérieur AXIS T93F10 (CA/CC) ou
 - Boîtier d'extérieur AXIS T93F20 (PoE)
- Fixation murale AXIS T94Q01A avec chemin de câble interne
- Embout pour vis T30
- Protection du connecteur AXIS A
- Connecteur à 2 broches pour câble d'alimentation CA/CC (AXIS T93F10)
- Câble
 - Câble d'alimentation – pour connecter la caméra au boîtier (AXIS T93F10) ou
 - Câble réseau – pour connecter la caméra au boîtier (AXIS T93F20)
- Joints de câble AXIS M20
- Sachet dessiccatif
- Documents imprimés
 - Guide d'installation (ce document)
 - Guide d'installation pour fixation murale AXIS T94Q01A

Outils recommandés

- Perceuse – pour installer la fixation murale

- Tournevis Torx T20 (inclus dans tous les packs de caméra compatibles)

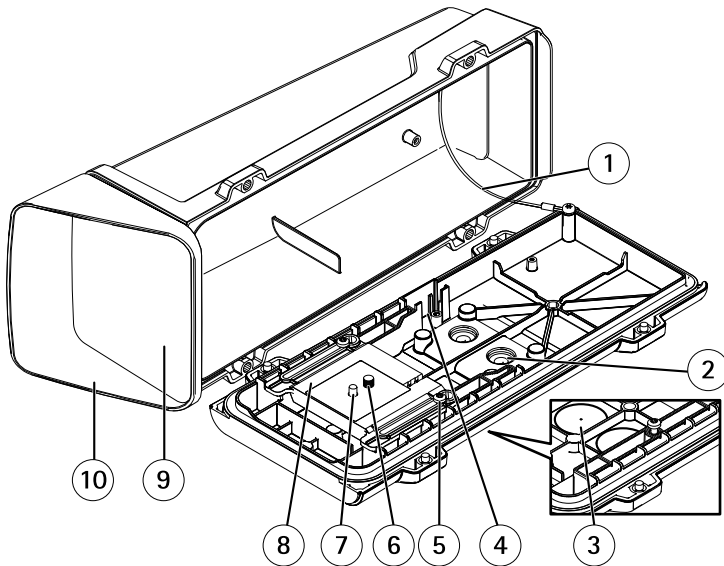
Accessoires en option

- Pare-soleil AXIS A
- Support format Corridor A AXIS (AXIS T93F20)
- Support format Corridor B AXIS (AXIS T93F10)
- Interrupteur de porte AXIS A
- Boîtier arrière destiné au conduit de l'AXIS T94R01P
- Illuminateurs
- Fixations pour boîtier
- Joints de câble et presse-étoupes
- Coffret de surveillance AXIS T98A16-VE
- Fixations pour poteau AXIS T91A47
- Câble intérieur pour fixation au plafond VT WCM4A
- Fixation angulaire VT WCWA

Pour plus d'informations sur les accessoires disponibles, consultez le site www.axis.com

Aperçu du matériel

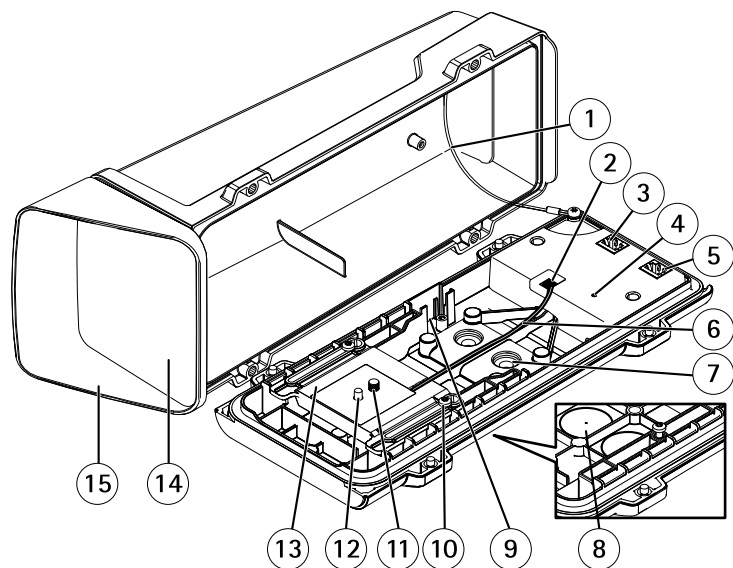
Boîtier



FRANÇAIS

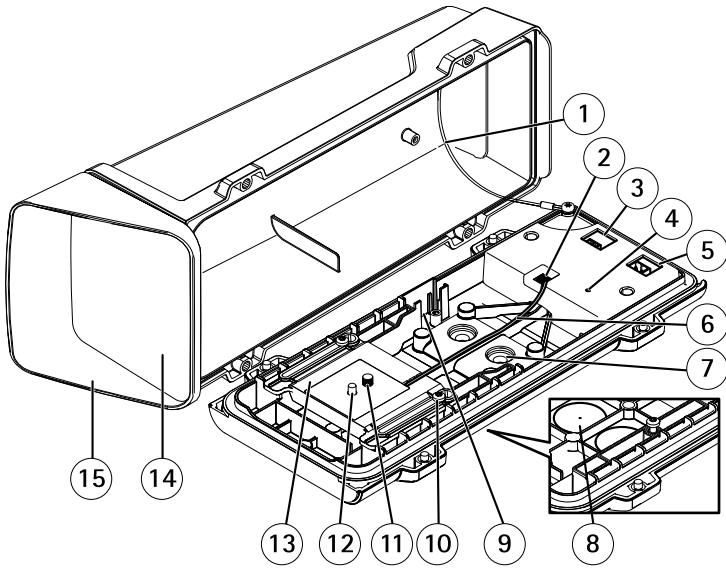
Boîtier de protection AXIS T93F05

- 1 Câble de sécurité
- 2 Joint de câble M20 (x2)
- 3 Perforation (x2)
- 4 Logement pour commutateur d'alarme d'intrusion – prend en charge l'interrupteur de porte AXIS A (vendu séparément)
- 5 Vis du support T20 (x2)
- 6 Vis de la caméra T20
- 7 Broche
- 8 Support
- 9 Fenêtre
- 10 Couvercle supérieur



Boîtier d'extérieur AXIS T93F20

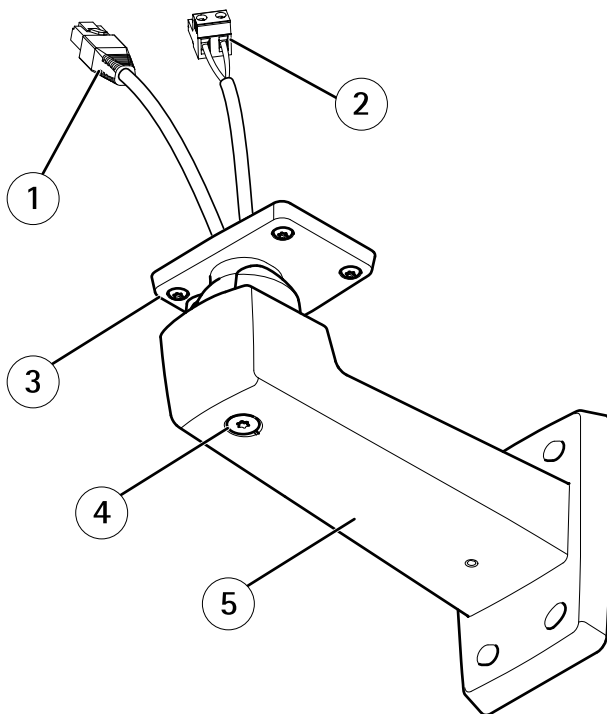
- 1 Câble de sécurité
- 2 Connecteur de régulateur de chauffage
- 3 Connecteur réseau (PoE OUT)
- 4 Voyant d'état
- 5 Connecteur réseau (PoE IN)
- 6 Câble de régulateur de chauffage
- 7 Joint de câble M20 (x2)
- 8 Perforation (x2)
- 9 Logement pour commutateur d'alarme d'intrusion – prend en charge l'interrupteur de porte AXIS A (vendu séparément)
- 10 Vis du support T20 (x2)
- 11 Vis de la caméra T20
- 12 Broche
- 13 Support
- 14 Fenêtre
- 15 Couverture supérieure



Boîtier d'extérieur AXIS T93F10

- 1 Câble de sécurité
- 2 Connecteur de régulateur de chauffage
- 3 Connecteur d'alimentation (ALIMENTATION DE SORTIE)
- 4 Voyant d'état
- 5 Connecteur d'alimentation (ALIMENTATION D'ENTRÉE)
- 6 Câble de régulateur de chauffage
- 7 Joint de câble M20 (x2)
- 8 Perforation (x2)
- 9 Logement pour commutateur d'alarme d'intrusion – prend en charge l'interrupteur de porte AXIS A (vendu séparément)
- 10 Vis du support T20 (x2)
- 11 Vis de la caméra T20
- 12 Broche
- 13 Support
- 14 Fenêtre
- 15 Couvercle supérieur

Fixation murale



- 1 Câble réseau (chemin à travers le support mural)
- 2 Câble d'alimentation (chemin à travers le support mural) (AXIS T93F10)
- 3 Vis T20 (x4)
- 4 Vis de réglage du support T30
- 5 Support mural

Voyants d'état (AXIS T93F10, AXIS T93F20)

Voyant	Couleur	Indication
État	Vert	Fonctionnement normal
	Clignote une seule fois en vert	Erreur au niveau du régulateur de chauffage
	Clignote deux fois en vert	Auto-test
	Clignote trois fois en vert	Erreur générale

Connecteurs et boutons

Pour les caractéristiques et les conditions d'utilisation, consultez *page 34*.

Connecteur réseau (AXIS T93F20)

Connecteur Ethernet RJ45. Prend en charge l'alimentation par Ethernet (PoE).

- PoE IN – Fournit au boîtier l'alimentation et Ethernet. Connectez-vous au réseau via un commutateur réseau PoE.
- PoE OUT – Fournit à la caméra l'alimentation et Ethernet. Connectez le boîtier à la caméra.

AVIS

Les réglementations locales ou les conditions environnementales et électriques dans lesquelles le produit est utilisé peuvent nécessiter l'utilisation d'un câble réseau blindé (STP). Tous les câbles réseau qui sont acheminés à l'extérieur ou dans des environnements électriques exigeants doivent être destinés à leur usage spécifique. Assurez-vous que les périphériques réseau sont installés conformément aux instructions du fabricant. Pour plus d'informations sur les exigences réglementaires, consultez *Regulatory Information on page 2*.

Connecteur de régulateur de chauffage (AXIS T93F10, AXIS T93F20)

Bloc terminal à 4 broches utilisé pour alimenter le capteur de température et de chauffage intégré du support.

Connecteurs d'alimentation (AXIS T93F10)

Connecteurs de terminal pour alimentation CA/CC.

AXIS T93F Series

- ALIMENTATION D'ENTRÉE – Alimente le boîtier. Connectez à l'alimentation CA/CC externe. Le connecteur est indépendant de la polarité.
- ALIMENTATION DE SORTIE – Alimente la caméra. Connectez le boîtier à la caméra.

Caractéristiques techniques

Conditions d'utilisation

L'appareil Axis est destiné à un usage en intérieur ou en extérieur.

Classification	
AXIS T93F05/AXIS T93F10/AXIS T93F20	IEC 60721-4-3 Classe 4M4 IEC 60529 IP66 NEMA 250 Type 4X

Température		
AXIS T93F05 ¹ /AXIS T93F10/AXIS T93F20		De -40 °C à 60 °C (de -40 °F à 140 °F)
AXIS T93F05 ¹	Série AXIS P13	De 0 °C à 45 °C (de 32 °F à 113 °F)
	AXIS Q1604/Q1614	De 0 °C à 45 °C (de 32 °F à 113 °F)
	AXIS Q1615	De 0 °C à 50 °C (de 32 °F à 122 °F)
AXIS T93F10 AXIS T93F20	Série AXIS P13	De -40 °C à 45 °C (de -40 °F à 113 °F)
	AXIS Q1604/Q1614	De -40 °C à 45 °C (de -40 °F à 113 °F)
	AXIS Q1615/Q1635	De -40 °C à 50 °C (-40 °F à 122 °F)

Important

(AXIS T93F10, AXIS T93F20) Lorsque la température ambiante est inférieure à 0 °C (32 °F), le démarrage peut prendre jusqu'à 60 minutes. Plus la température est basse, plus le démarrage est long.

Humidité	
AXIS T93F05/AXIS T93F10/AXIS T93F20	Humidité relative de 15–100 % (condensation)

Conditions de stockage

Température	
AXIS T93F05/AXIS T93F10/AXIS T93F20	De -40 °C à 75 °C (de -40 °F à 167 °F)

Consommation électrique

Produit	Alimentation	Sortie d'alimentation (vers la caméra)
AXIS T93F05	Sans objet	Sans objet
AXIS T93F10	12–28 VCC, max 25 W 20–24 VCA, max 29 VA	12 VCC, 1,5 A max
AXIS T93F20	Power over Ethernet IEEE 802.3af/802.3at Type 1 Classe 3, max 15,4 W	

Zone de câble

AVIS

- Utilisez des câbles adaptés à la zone spécifiée.
- Sélectionnez des câbles conformes à la législation locale.
- Assurez-vous que les trous de câbles sont correctement scellés.

Diamètre	AWG
5–15 mm (0,197–0,591")	Environ 4–6/0

Pour créer d'autres trous de câbles, ouvrez les perforations situées sous le support. Cf. *Aperçu du matériel* page 29.

AVIS

Utilisez des joints de câble et des presse-étoupes adaptés aux trous de câbles et à la zone de câble.

Pour plus d'informations sur les accessoires, tels que les joints de câble et les presse-étoupes adaptés à d'autres zones de câble, consultez www.axis.com

Installation du matériel

AVIS

- Les réglementations locales ou les conditions environnementales et électriques dans lesquelles le produit est utilisé peuvent nécessiter l'utilisation d'un câble réseau blindé (STP). Tous les câbles réseau qui sont acheminés à l'extérieur ou dans des environnements électriques exigeants doivent être destinés à leur usage spécifique. Assurez-vous que les périphériques réseau sont installés conformément aux instructions du fabricant.
(AXIS T93F05) Pour plus d'informations sur les exigences réglementaires, reportez-vous au guide d'installation de la caméra.
(AXIS T93F10, AXIS T93F20) Pour plus d'informations sur les exigences réglementaires, consultez *Regulatory Information on page 2*.
- Veillez à ne pas rayer, endommager ou laisser d'empreintes sur la fenêtre, car cela pourrait altérer la qualité d'image.

Le produit Axis peut être installé avec des câbles acheminés à travers ou le long du mur.

Lisez toutes les instructions avant l'installation de l'appareil :

1. Installez la fixation murale. Cf. *page 36*. Pour obtenir des instructions détaillées, reportez-vous au guide d'installation de la fixation murale disponible dans la boîte ou sur le site www.axis.com.
2. Placez le boîtier sur la fixation murale. Cf. *page 37*.
3. Installez la caméra dans le boîtier. Cf. *page 39*.

Installation de la fixation murale

ATTENTION

Assurez-vous que les vis et les fiches sont adaptées au matériau (bois, métal, cloison sèche, pierre, etc.) et que le matériau est suffisamment résistant pour supporter le poids combiné de la caméra, du boîtier et du support mural.

1. Préparez le mur pour l'installation du support mural. Utilisez le support mural comme gabarit et marquez les emplacements des trous avant de les percer.
2. Acheminez le câble réseau à travers le support mural. Laissez environ 30 cm (11,8") de câble pour la connexion de la caméra.
3. Acheminez le câble d'alimentation (AXIS T93F10) à travers le support mural. Laissez environ 30 cm (11,8") de câble pour la connexion de la caméra.
4. Si vous connectez un périphérique auxiliaire (par exemple, un périphérique d'entrée/sortie, audio ou d'alimentation externe) à la caméra, répétez l'étape ci-dessus pour chaque périphérique.
5. Serrez les vis du support mural pour le fixer.

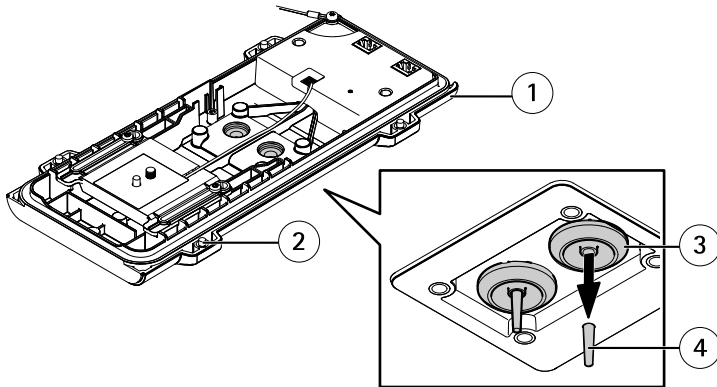
Note

- Pour obtenir des instructions détaillées, reportez-vous au guide d'installation de la fixation murale disponible dans la boîte et sur le site www.axis.com.
- Pour plus de caractéristiques techniques, reportez-vous au manuel d'utilisation de la caméra disponible sur www.axis.com

Placement du boîtier sur la fixation murale

AVIS

- Utilisez des câbles adaptés à la zone spécifiée. Reportez-vous à la section *page 35*. L'utilisation d'un joint de câble autre que celui fourni risque d'entraîner une infiltration d'eau et d'endommager le produit. Pour plus d'informations sur les joints de câble et les presse-étoupes adaptés à d'autres zones de câble, consultez www.axis.com
 - Si vous utilisez plus d'un câble, chaque câble doit être acheminé au travers d'un joint de câble distinct.
 - Ouvrez uniquement un trou dans les joints de câble qui seront utilisés. Si un joint de câble est endommagé, remplacez-le par un nouveau. L'utilisation d'un joint de câble ouvert ou endommagé risque d'entraîner une infiltration d'eau et d'endommager le produit.
1. Desserrez les vis du couvercle inférieur et soulevez le couvercle supérieur.
 2. Sélectionnez le joint de câble à utiliser et tirez sur la patte pour ouvrir un trou au niveau du câble réseau.



Exemple illustré : AXIS T93F20

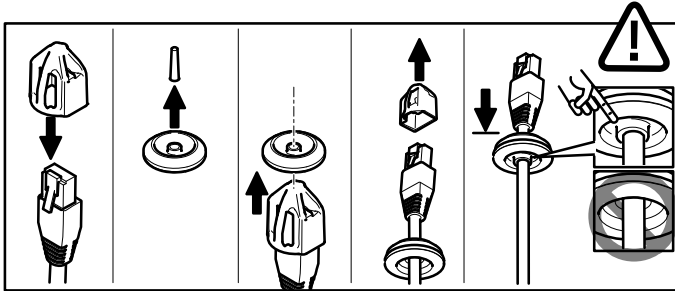
- 1 Couvercle inférieur
- 2 Vis du couvercle inférieur T20 (x4)
- 3 Joint de câble M20 (x2)
- 4 Patte

AXIS T93F Series

3. Faites passer le câble réseau à travers le joint de câble.

AVIS

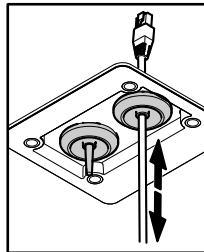
Si le câble réseau dispose d'un connecteur réseau pré-installé, retirez le joint de câble et utilisez la protection du connecteur pour éviter tout endommagement du joint de câble. Évitez d'utiliser des câbles réseau équipés de connecteurs réseau recouverts, car ils peuvent endommager le joint de câble, et ce malgré leur protection.



4. Tirez légèrement sur le câble réseau pour que le joint s'ajuste dessus.

AVIS

Si vous ne tirez pas sur le câble, il existe un risque d'infiltration d'eau et d'endommagement du produit.

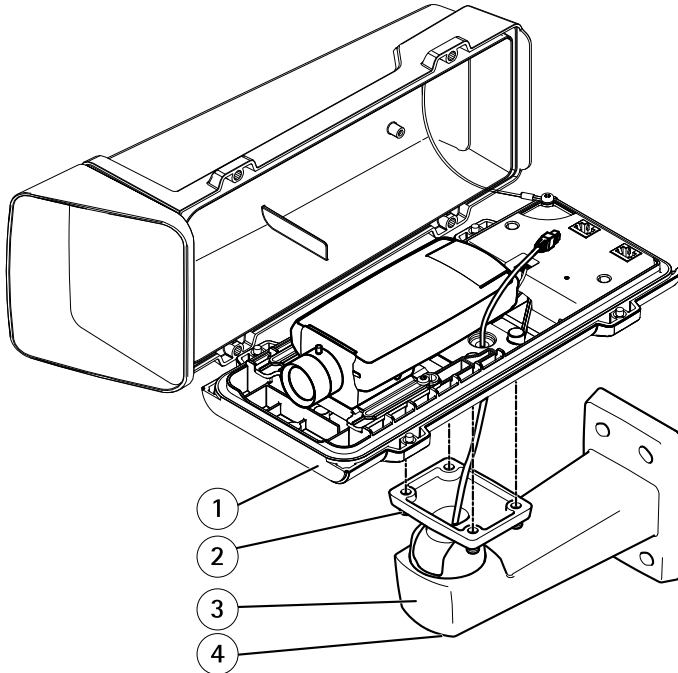


5. Assurez-vous que le joint de câble est correctement installé.
6. Utilisez l'autre joint de câble pour le câble d'alimentation (AXIS T93F10). Répétez les étapes ci-dessus.

AVIS

Installez le connecteur d'alimentation une fois le câble d'alimentation inséré dans le joint de câble.

7. Si vous connectez un périphérique auxiliaire (par exemple, un périphérique d'entrée/sortie, audio ou d'alimentation externe) à la caméra, répétez les étapes ci-dessus pour chaque périphérique.
8. Placez le couvercle inférieur sur la fixation murale et serrez les vis (couple 2 Nm).

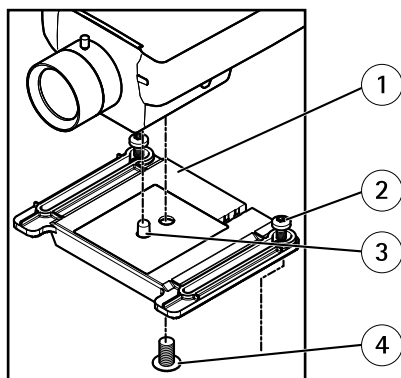


Exemple illustré : Série AXIS T93F20 et AXIS P13

- 1 Couvercle inférieur
- 2 Vis T20 (x4)
- 3 Support mural
- 4 Vis de réglage du support T30

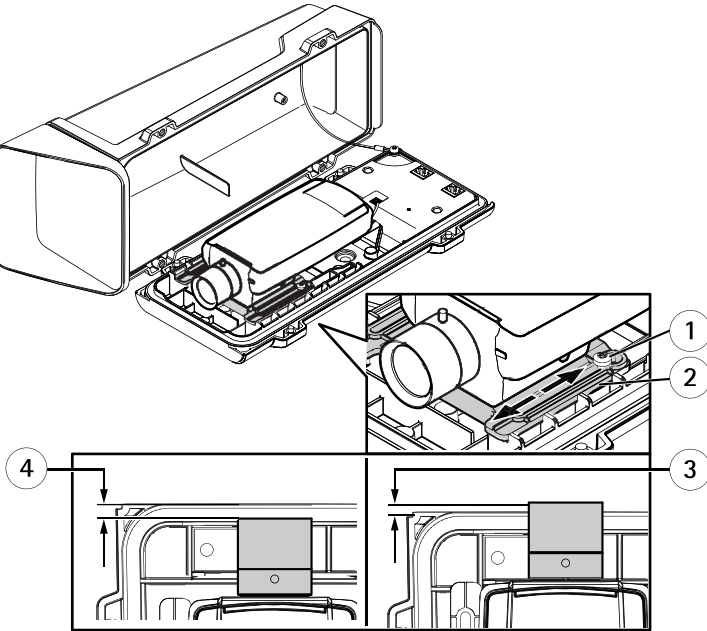
Installation de la caméra dans le boîtier

1. Desserrez les vis du support, puis faites glisser et relevez le support (voir illustration ci-dessous).
2. Fixez le support à la caméra. Alignez la broche et la vis de la caméra avec le trou de la broche et la fixation de la vis sur la caméra, puis serrez la vis de la caméra (couple 1 Nm). Veillez à ne pas trop la serrer.



- 1 *Support*
- 2 *Vis du support T20 (x2)*
- 3 *Broche*
- 4 *Vis de la caméra T20*

3. Si vous connectez des périphériques externes/d'entrée, des périphériques audio ou une source d'alimentation externe à la caméra, connectez-les conformément aux instructions fournies dans le guide d'installation de la caméra.
4. Fixez le support au couvercle inférieur. Ajustez précisément la position du support, puis serrez les vis de ce dernier (couple 0,5 Nm).



Exemple illustré : Série AXIS T93F20 et AXIS P13

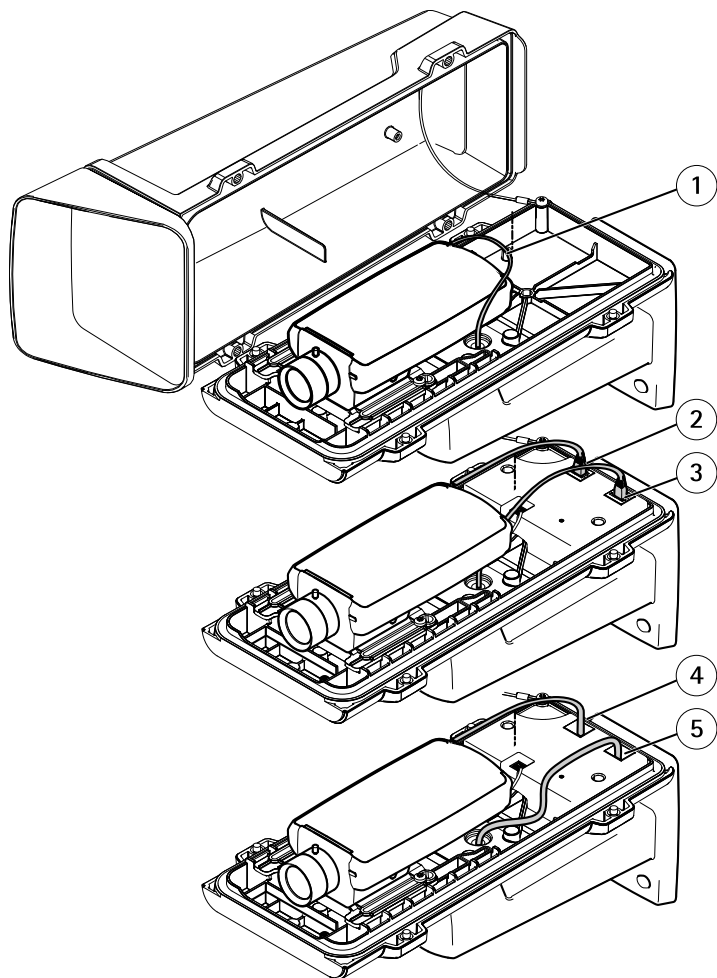
- 1 Vis du support T20 (x2)
- 2 Support
- 3 Position A (chevauchement) : +3,7 mm (+0,15")
- 4 Position B (écart) : De -6 mm à -4 mm (de -0,24" à -0,16")

AVIS

- Position A : Pour éviter toute réflexion de l'image, ajustez la position du support de sorte que le bord de l'objectif de la caméra chevauche le bord du couvercle inférieur d'environ +3,7 mm (+0,15"). Cette position annule la certification IK10.
 - Position B : Pour vous conformer aux exigences de la certification IK10, ajustez la position du support de sorte que l'écart entre l'objectif de la caméra et les bords du couvercle inférieur se situe entre -6 mm et -4 mm (-0,24" et -0,16").
5. (AXIS T93F10, AXIS T93F20) Connectez le câble de régulateur de chauffage au connecteur de régulateur de chauffage sur le couvercle inférieur.
 6. Si vous utilisez une carte SD en tant qu'espace de stockage local, insérez la carte dans le logement prévu à cet effet sur la caméra.
 7. Branchez les câbles réseau.

AXIS T93F Series

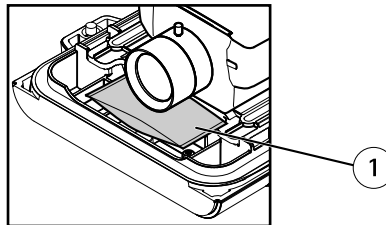
- (AXIS T93F05, AXIS T93F10) Connectez la caméra au réseau.
 - (AXIS T93F20) Connectez le boîtier au réseau (PoE IN) et la caméra au boîtier (PoE OUT).
8. Connectez les câbles d'alimentation (AXIS T93F10). Connectez le boîtier à l'alimentation externe (ALIMENTATION D'ENTRÉE) et la caméra au boîtier (ALIMENTATION DE SORTIE).



Exemples illustrés : Série AXIS T93F05 (haut), AXIS T93F20 (milieu), AXIS T93F10 (bas) et AXIS P13

1 Câble réseau

- 2 *Connecteur réseau (PoE OUT)*
 - 3 *Connecteur réseau (PoE IN)*
 - 4 *Connecteur d'alimentation (ALIMENTATION DE SORTIE)*
 - 5 *Connecteur d'alimentation (ALIMENTATION D'ENTRÉE)*
9. (AXIS T93F20, AXIS T93F10) Vérifiez que le voyant d'état sur le boîtier indique les conditions correctes. Cf. *Voyants d'état (AXIS T93F10, AXIS T93F20) page 33.*
 10. Vérifiez que les voyants sur la caméra indiquent les conditions correctes. Reportez-vous au guide d'installation de la caméra.
 11. Desserrez la vis de réglage du support afin d'orienter la caméra dans la direction voulue. Pour plus d'informations sur la visualisation du flux de données vidéo, reportez-vous au guide d'installation de la caméra ou consultez www.axis.com/techsup.
 12. Retirez l'emballage plastique du sachet dessiccant et placez le sachet dessiccant sous l'objectif.



1 *Sachet dessiccant*

13. Fermez le boîtier. Assurez-vous de serrer en alternance les vis du couvercle inférieur de quelques tours à la fois jusqu'à ce qu'elles soient toutes bien serrées (couple 1,5 Nm). Cela permettra de garantir que le joint du couvercle inférieur est comprimé de façon régulière.

AVIS

Assurez-vous de ne pincer aucun câble à la fermeture du boîtier.

14. Si vous utilisez un pare-soleil (vendu séparément), placez-le sur le couvercle supérieur, ajustez sa position et serrez les vis.

Pour obtenir plus de renseignements

Visitez le centre d'apprentissage en ligne Axis sur le site www.axis.com/academy pour en savoir plus sur les formations, les webinaires, les tutoriels et les guides.

Informations sur la garantie

Pour obtenir de plus amples informations sur la garantie du produit AXIS et des renseignements connexes, allez sur le site www.axis.com/warranty/

Sicherheitsinformation

Lesen Sie das Installationshandbuch sorgfältig durch bevor sie das Produkt installieren. Bewahren Sie das Installationshandbuch für zukünftige Zwecke auf.

Gefährdungsstufen

▲GEFAHR

Weist auf eine gefährliche Situation hin, welche, falls nicht verhindert, zu Tod oder schweren Verletzungen führt.

▲WARNUNG

Weist auf eine gefährliche Situation hin, welche, falls nicht verhindert, zu Tod oder schweren Verletzungen führen kann.

▲VORSICHT

Weist auf eine gefährliche Situation hin, welche, falls nicht verhindert, zu geringfügiger oder mäßiger Verletzung führen kann.

HINWEIS

Weist auf eine gefährliche Situation hin, welche, falls nicht verhindert, zu Sachschäden führen kann.

Weitere Nachrichtenstufen

Wichtig

Weist auf wichtige Informationen hin, die den richtigen Betrieb des Produkts gewährleisten.

Beachten

Weist auf nützliche Informationen hin, die die optimale Verwendung des Produkts unterstützen.

Sicherheitsanweisungen

HINWEIS

- Die Anwendung des Axis Produkts muss unter Beachtung der örtlich geltenden rechtlichen Bestimmungen erfolgen.
- Lagern Sie das Axis Produkt in einer trockenen und belüfteten Umgebung.
- Achten Sie darauf, dass das Axis Produkt weder Stößen noch starkem Druck ausgesetzt ist.
- Installieren Sie das Produkt nicht an instabilen Halterungen, Oberflächen oder Wänden.
- Verwenden Sie bei der Installation des Axis Produkts ausschließlich passende Werkzeuge. Ein zu großer Kraftaufwand kann das Produkt beschädigen.
- Verwenden Sie keine chemischen, ätzenden oder aerosolhaltigen Reinigungsmittel.
- Verwenden Sie zum Reinigen ein sauberes, mit lauwarmem Wasser angefeuchtetes Tuch.
- Verwenden Sie nur Zubehör, das den technischen Daten des Produkts entspricht. Dieses ist von Axis oder Drittanbietern erhältlich.
- Verwenden Sie ausschließlich Ersatzteile die von Axis bereitgestellt oder empfohlen werden.
- Versuchen Sie nicht, das Produkt selbstständig zu reparieren. Wenden Sie sich bezüglich Reparatur und Wartung an den Axis Support oder Ihren Axis Händler.

Transport

HINWEIS

- Bei Bedarf transportieren Sie das Axis Produkt in der Originalverpackung oder einer entsprechenden Verpackung, so dass Schäden vermieden werden.

Installationsanleitung

In dieser Anleitung wird die Installation des AXIS T93F05 Schutzgehäuses, des AXIS T93F10 Außengehäuses und des AXIS T93F20 Außengehäuses beschrieben.

Anweisungen zur Installation der Kamera im Netzwerk finden Sie in der Installationsanleitung zu der Kamera. Weitere Informationen zur Kamera finden Sie im Benutzerhandbuch unter www.axis.com.

Installationsschritte

1. Stellen Sie sicher, dass die Packungsinhalte, Werkzeuge und andere notwendige Materialien für die Installation in Ordnung sind. Siehe *Seite 47*.
2. Machen Sie sich mit der Hardware-Übersicht vertraut. Siehe *Seite 49*.
3. Machen Sie sich mit den technischen Daten vertraut. Siehe *Seite 54*.
4. Installieren Sie die Hardware. Siehe *Seite 56*.

Lieferumfang

- Gehäuse
 - AXIS T93F05 Schutzgehäuse oder
 - AXIS T93F10 Außengehäuse (AC/DC) oder
 - AXIS T93F20 Außengehäuse (PoE)
- AXIS T94Q01A Wandhalterung mit innen liegendem Kabelkanal
- Schraubenset T30
- AXIS Anschlussstück A
- 2-poliger Anschlussstecker für ein Netzkabel (AXIS T93F10)
- Kabel
 - Netzkabel zum Anschließen der Kamera an das Gehäuse (AXIS T93F10) oder
 - Netzkabel zum Anschließen der Kamera an das Gehäuse (AXIS T93F20)
- AXIS Kabeldichtungen M20
- Antikondensationsbeutel
- Gedruckte Dokumente
 - Installationsanleitung (dieses Dokument)
 - Installationsanleitung für die AXIS T94Q01A Wandhalterung

Empfohlene Werkzeuge

- Bohrmaschine zur Montage der Wandhalterung

- Torx T20-Schraubendreher (im Lieferumfang sämtlicher kompatibler Kamerapakete enthalten)

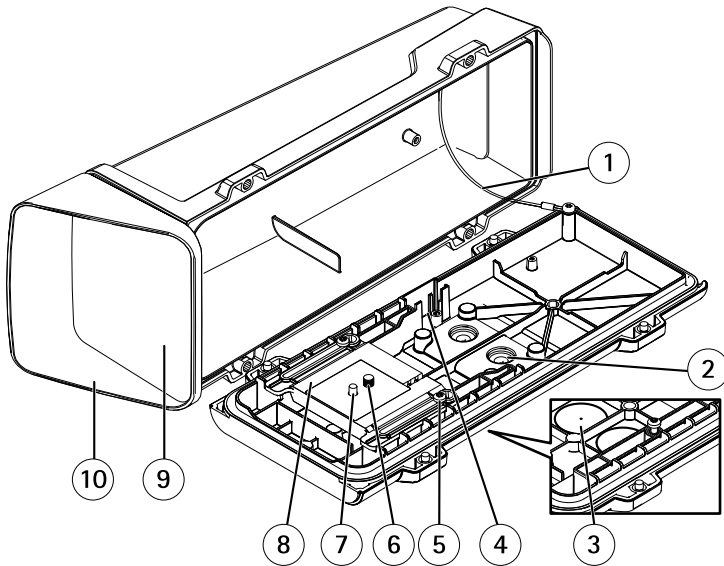
Optionales Zubehör

- AXIS Sonnenschutz A
- AXIS Corridor Format-Halterung A (AXIS T93F20)
- AXIS Corridor Format-Halterung B (AXIS T93F10)
- AXIS Türschalter A
- AXIS T94R01P Kabelführungsdose
- Beleuchtung
- Gehäusehalterungen
- Kabeldichtungen und Kabelverschraubungen
- AXIS T98A16-VE Überwachungsschrank
- AXIS T91A47 Masthalterungen
- VT-Deckenhalterung (Kabel, int.) WCM4A
- VT-Eckhalterung WCWA

Unter www.axis.com finden Sie Informationen über verfügbares Zubehör.

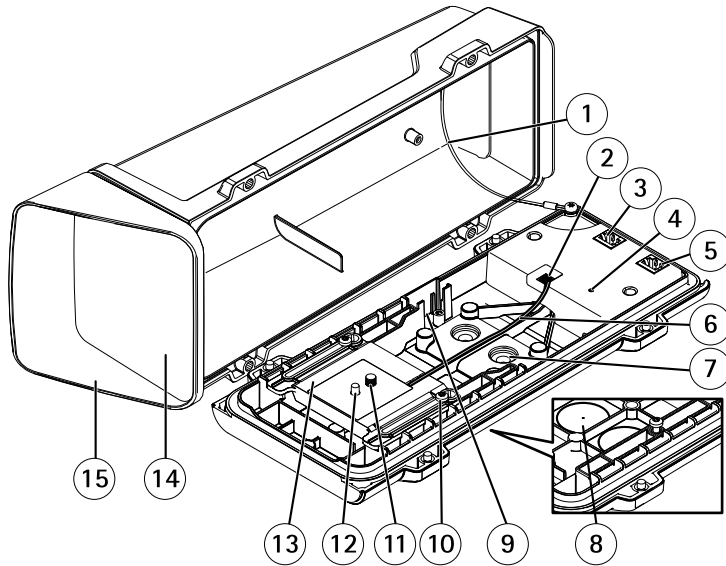
Übersicht über die Hardware

Gehäuse



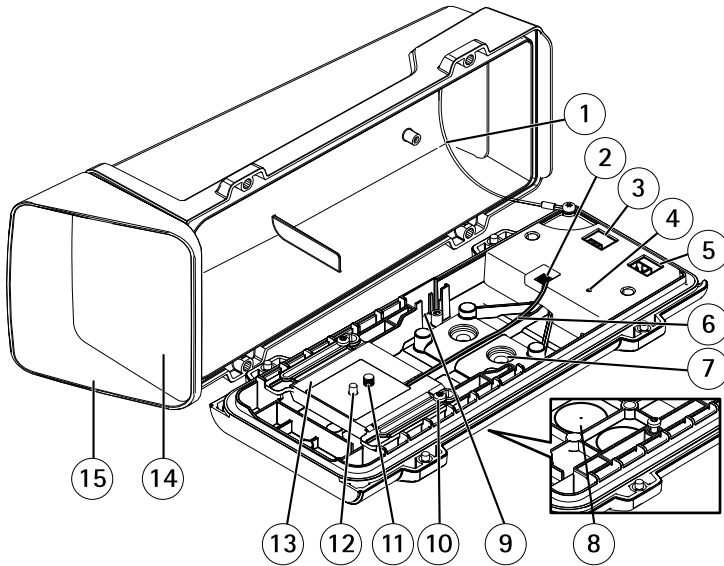
AXIS T93F05 Schutzgehäuse

- 1 Sicherheitsdraht
- 2 Kabeldichtung M20 (2x)
- 3 Aufbohrung (2x)
- 4 Einschub für Einbruchalarmschalter – unterstützt AXIS Türschalter A (separat erhältlich)
- 5 Schraube T20 für Halter (2x)
- 6 Schraube T20 für Kamera
- 7 Kontakt
- 8 Halter
- 9 Fenster
- 10 Obere Abdeckung



AXIS T93F20 Außengehäuse

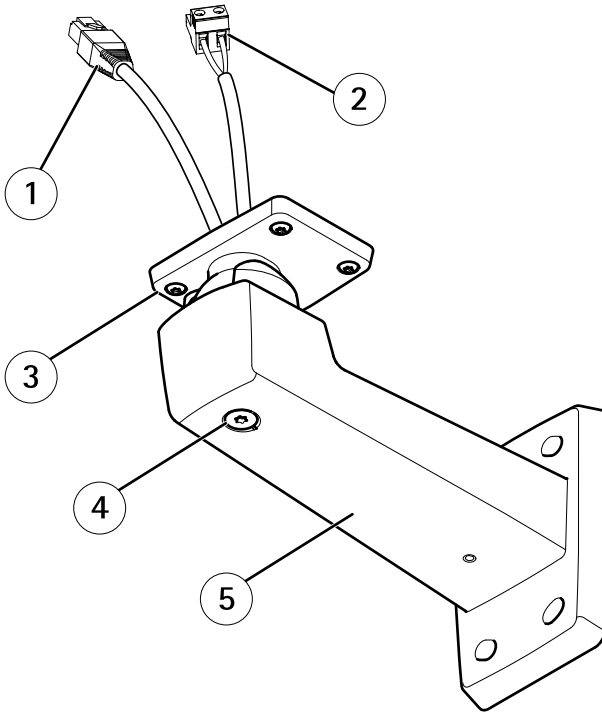
- 1 Sicherheitsdraht
- 2 Anschluss für Heizelement
- 3 Netzwerkanschluss (PoE-Ausgang)
- 4 LED-Statusanzeige
- 5 Netzwerkanschluss (PoE-Eingang)
- 6 Kabel für Heizelement
- 7 Kabeldichtung M20 (2x)
- 8 Aufbohrung (2x)
- 9 Einschub für Einbruchalarmschalter – unterstützt AXIS Türschalter A (separat erhältlich)
- 10 Schraube T20 für Halter (2x)
- 11 Schraube T20 für Kamera
- 12 Kontakt
- 13 Halter
- 14 Fenster
- 15 Obere Abdeckung



AXIS T93F10 Außengehäuse

- 1 Sicherheitsdraht
- 2 Anschluss für Heizelement
- 3 Netzanschluss (POWER OUT)
- 4 LED-Statusanzeige
- 5 Netzanschluss (POWER IN)
- 6 Kabel für Heizelement
- 7 Kabeldichtung M20 (2x)
- 8 Aufbohrung (2x)
- 9 Einschub für Einbruchalarmschalter – unterstützt AXIS Türschalter A (separat erhältlich)
- 10 Schraube T20 für Halter (2x)
- 11 Schraube T20 für Kamera
- 12 Kontakt
- 13 Halter
- 14 Fenster
- 15 Obere Abdeckung

Wandmontage



- 1 *Netzwerkkabel (durch Wandhalterung führen)*
- 2 *Netzkabel (durch Wandhalterung führen) (AXIS T93F10)*
- 3 *Schraube T20 (4x)*
- 4 *Einstellschraube T30 für Halterung*
- 5 *Wandhalterung*

LEDs (AXIS T93F10, AXIS T93F20)

LED	Farbe	Bedeutung
Status	Grün	Normaler Betrieb
	Grünes, einmaliges Blinken	Probleme mit dem Heizelement
	Grünes, doppeltes Blinken	Selbsttest
	Grünes, dreifaches Blinken	Allgemeiner Fehler

Anschlüsse und Tasten

Für die technischen Daten und Betriebsbedingungen siehe *Seite 54*.

Netzwerkanschluss (AXIS T93F20)

RJ45-Ethernetanschluss. Unterstützt Power over Ethernet (PoE).

- PoE-Eingang – zur Stromversorgung des Gehäuses und Ethernet. Netzwerkanschluss über einen PoE-fähigen Netzwerkschalt.
- PoE-Ausgang – zur Stromversorgung der Kamera und Ethernet. Verbindung zwischen Gehäuse und Kamera.

HINWEIS

Aufgrund örtlicher Vorschriften oder der Umgebungsbedingungen und elektrischen Bedingungen, unter denen das Produkt verwendet wird, kann ein abgeschirmtes Netzkabel (STP) empfehlenswert oder notwendig sein. Alle Netzkabel des Produkts, die im Außenbereich oder in schwierigen elektrischen Umgebungen verlegt werden, müssen hierfür ausgelegt sein. Stellen Sie sicher, dass die Netzwerkgeräte gemäß den Anweisungen des Herstellers installiert wurden. Informationen zu gesetzlichen Bestimmungen finden Sie unter *Regulatory Information on page 2*.

Anschluss für Heizelement (AXIS T93F10, AXIS T93F20)

4-poliger Anschlussblock für die Stromversorgung des Heizelements und des Temperatursensors, die in den Halter integriert sind.

Stromanschlüsse (AXIS T93F10)

Klemmenanschluss für Gleich-/Wechselstrom.

AXIS T93F Series

- Netzanschluss zur Stromversorgung des Gehäuses. Zum Anschließen eines externen Netzteils (Wechselstrom/Gleichstrom). Der Anschluss ist polaritätsunabhängig.
- Netzanschluss zur Stromversorgung der Kamera. Verbindung zwischen Gehäuse und Kamera.

Technische Daten

Betriebsbedingungen

Das Axis Produkt ist für die Verwendung im Innen- und Außenbereich ausgelegt.

Klassifikation	
AXIS T93F05/AXIS T93F10/AXIS T93F20	IEC 60721-4-3 Klasse 4M4 IEC 60529 IP66 NEMA 250 Typ 4X

Temperatur		
AXIS T93F05 ¹ /AXIS T93F10/AXIS T93F20		-40 °C bis 60 °C
AXIS T93F05 ¹	AXIS P13 Serie	0 °C bis 45 °C
	AXIS Q1604/Q1614	0 °C bis 45 °C
	AXIS Q1615	0 °C bis 50 °C
AXIS T93F10 AXIS T93F20	AXIS P13 Serie	-40 °C bis 45 °C
	AXIS Q1604/Q1614	-40 °C bis 45 °C
	AXIS Q1615/Q1635	-40 °C bis 50 °C

Wichtig

(AXIS T93F10, AXIS T93F20) Liegt die Umgebungstemperatur unter 0 °C, kann die Inbetriebnahme bis zu 60 Minuten dauern. Je kälter die Temperatur, desto länger dauert die Inbetriebnahme.

Luftfeuchtigkeit	
AXIS T93F05/AXIS T93F10/AXIS T93F20	15 bis 100 % relative Luftfeuchtigkeit (kondensierend)

Lagerbedingungen

Temperatur	
AXIS T93F05/AXIS T93F10/AXIS T93F20	-40 °C bis 75 °C

Stromverbrauch

Produkt	Netzteil	Stromausgang (zur Kamera)
AXIS T93F05	Keine Angabe	Keine Angabe
AXIS T93F10	12 bis 28 V DC, max. 25 W 20 bis 24 V AC, max. 29 VA	12 V DC, max. 1,5 A
AXIS T93F20	Power over Ethernet IEEE 802.3af/802.3at Typ 1 Klasse 3, max. 15,4 W	

Kabelbereich

HINWEIS

- Verwenden Sie Kabel aus dem angegebenen Kabelbereich.
- Verwenden Sie Kabel, die den örtlichen Vorschriften entsprechen.
- Stellen Sie sicher, dass alle Kabellöcher ordnungsgemäß verschlossen sind.

Durchmesser	AWG
5–15 mm	ca. 4–6/0

Öffnen Sie für zusätzliche Kabellöcher die Aufbohrungen unter dem Halter. Siehe *Hardware Overview on page 9*.

HINWEIS

Verwenden Sie Kabeldichtungen oder Kabelverschraubungen, die sowohl zur Kabeldurchführung als auch zum Kabelbereich passen.

Unter www.axis.com finden Sie Informationen über Zubehör wie Kabeldichtungen und Kabelverschraubungen für andere Kabelbereiche.

Installieren der Hardware

HINWEIS

- Aufgrund örtlicher Vorschriften oder der Umgebungsbedingungen und elektrischen Bedingungen, unter denen das Produkt verwendet wird, kann ein abgeschirmtes Netzkabel (STP) empfehlenswert oder notwendig sein. Alle Netzkabel des Produkts, die im Außenbereich oder in schwierigen elektrischen Umgebungen verlegt werden, müssen hierfür ausgelegt sein. Stellen Sie sicher, dass die Netzwerkgeräte gemäß den Anweisungen des Herstellers installiert wurden.

(AXIS T93F05) Informationen zu gesetzlichen Bestimmungen finden Sie in der Installationsanleitung der Kamera.

(AXIS T93F10, AXIS T93F20) Informationen zu gesetzlichen Bestimmungen finden Sie unter *Regulatory Information on page 2*.

- Vermeiden Sie Kratzer, Beschädigungen oder Fingerabdrücke am Fenster, da dies die Bildqualität beeinträchtigen kann.

Bei der Installation des Axis Produkts können die Kabel durch die Wand oder an der Wand entlang geführt werden.

Lesen Sie die Anweisungen, bevor Sie das Produkt installieren:

1. Montieren Sie die Wandhalterung. Siehe *Seite 56*. Ausführliche Anweisungen finden Sie in der beiliegenden Installationsanleitung für die Wandhalterung oder unter www.axis.com.
2. Befestigen Sie das Gehäuse an der Wandhalterung. Siehe *Seite 57*.
3. Bauen Sie die Kamera in das Gehäuse ein. Siehe *Seite 60*.

Montage der Wandhalterung

▲VORSICHT

Stellen Sie sicher, dass Sie die für das Material (z. B. Holz, Metall, Gipskarton, Stein) geeigneten Schrauben und Dübel verwenden und das Material stabil genug ist, um das Gesamtgewicht von Kamera, Gehäuse und Wandhalterung zu tragen.

1. Bereiten Sie die Wand für die Installation der Wandhalterung vor. Markieren Sie vor dem Bohren die Bohrlöcher mit der Wandhalterung als Vorlage.
2. Führen Sie das Netzkabel durch die Wandhalterung. Lassen Sie zum Anschließen der Kamera ca. 30 cm Kabel frei.
3. Führen Sie das Netzkabel (AXIS T93F10) durch die Wandhalterung. Lassen Sie zum Anschließen der Kamera ca. 30 cm Kabel frei.
4. Wenn Sie ein zusätzliches Gerät an die Kamera anschließen, z. B. ein E/A- oder Audiogerät bzw. ein externes Netzteil, wiederholen Sie die oben aufgeführten Schritte für jedes Gerät.

5. Befestigen Sie die Wandhalterung an der Wand, indem Sie die Schrauben festziehen.

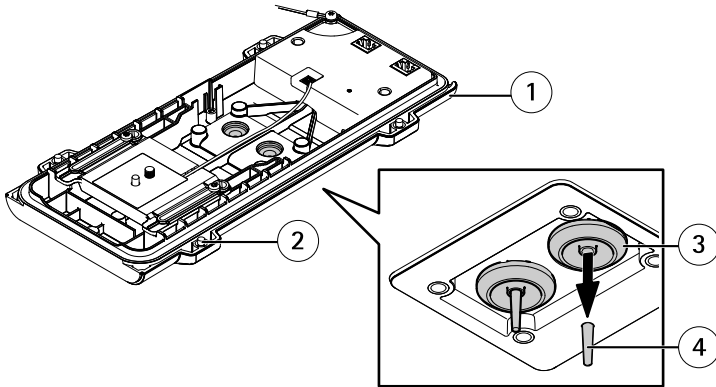
Beachten

- Ausführliche Anweisungen finden Sie in der beiliegenden Installationsanleitung für die Wandhalterung oder unter www.axis.com.
- Weitere technische Daten finden Sie im Benutzerhandbuch der Kamera unter www.axis.com

Befestigen des Gehäuses an der Wandhalterung

HINWEIS

- Verwenden Sie Kabel aus dem angegebenen Kabelbereich, siehe *Seite 55*. Wenn eine andere Kabeldichtung als die mitgelieferte verwendet wird, kann Wasser eindringen und das Produkt beschädigen. Unter www.axis.com finden Sie Informationen zu Kabeldichtungen und Kabelverschraubungen für andere Kabelbereiche.
 - Wird mehr als ein Kabel verwendet, muss jedes Kabel durch eine separate Kabeldichtung geführt werden.
 - Öffnen Sie bei den verwendeten Kabeldichtungen nur ein Loch. Wenn eine Kabeldichtung eingerissen ist, ersetzen Sie diese durch eine neue. Wenn eine Kabeldichtung geöffnet bleibt oder eine eingerissene Kabeldichtung verwendet wird, kann Wasser eindringen und das Produkt beschädigen.
1. Lösen Sie die Schrauben an der unteren Abdeckung, und heben Sie die obere Abdeckung an.
 2. Wählen Sie die zu verwendende Kabeldichtung aus, und ziehen Sie an der Lasche, um ein Loch für das Netzkabel zu öffnen.



Beispielbild: AXIS T93F20

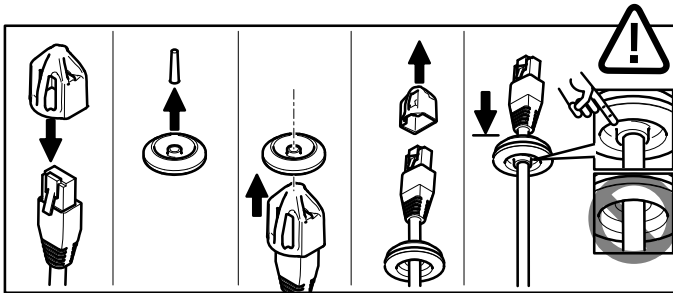
1 Untere Abdeckung

- 2 Schraube T20 für untere Abdeckung (4x)
- 3 Kabeldichtung M20 (2x)
- 4 Lasche

3. Führen Sie das Netzkabel durch die Kabeldichtung.

HINWEIS

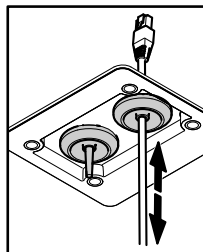
Wenn das Netzkabel über einen vormontierten Netzwerkstecker verfügt, entfernen Sie die Kabeldichtung, und verwenden Sie das Anschlussstück, um ein Reißen der Kabeldichtung zu verhindern. Verwenden Sie keine Netzkabel, die Netzwerkstecker mit Deckeln aufweisen, da diese auch bei Verwendung des Anschlussstücks zum Reißen der Kabeldichtung führen können.



4. Ziehen Sie das Netzkabel ein wenig zurück, bis die Kabeldichtung bündig um das Kabel sitzt.

HINWEIS

Wird das Kabel nicht zurückgezogen, kann Wasser eindringen und das Produkt beschädigen.

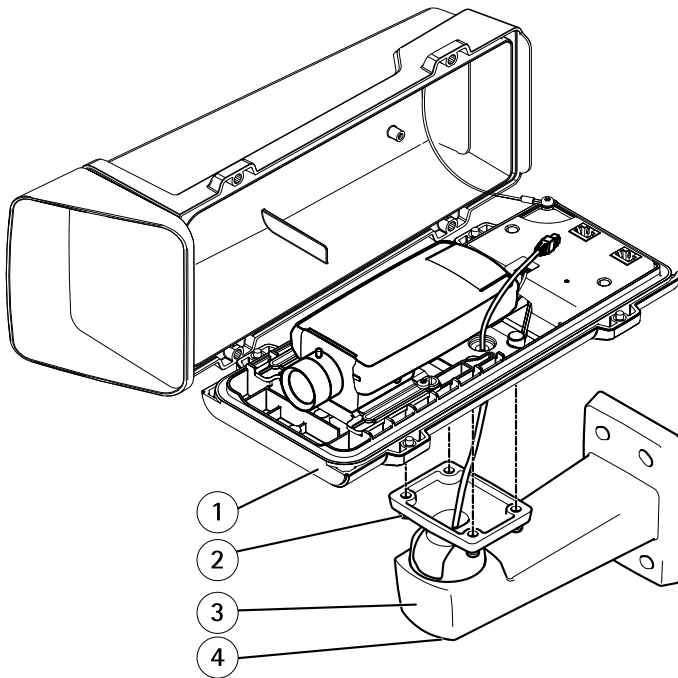


5. Vergewissern Sie sich, dass die Kabeldichtung ordnungsgemäß sitzt.
6. Verwenden Sie die andere Kabeldichtung für das Netzkabel (AXIS T93F10). Wiederholen Sie die vorherigen Schritte.

HINWEIS

Bringen Sie den Netzstecker an, nachdem das Kabel durch die Kabeldichtung geführt wurde.

7. Wenn Sie ein zusätzliches Gerät an die Kamera anschließen, z. B. ein E/A- oder Audiogerät bzw. ein externes Netzteil, wiederholen Sie die oben aufgeführten Schritte für jedes Gerät.
8. Setzen Sie die untere Abdeckung auf die Wandhalterung, und ziehen die Schrauben an (Drehmoment 2 Nm).

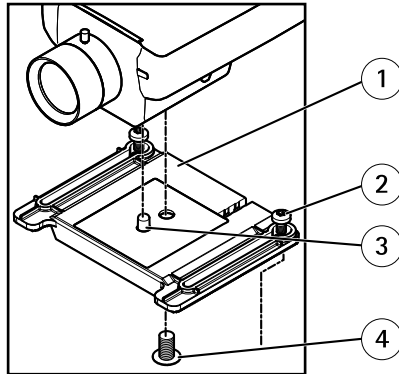


Beispielbild: AXIS T93F20 und AXIS P13-Serie

- 1 Untere Abdeckung
- 2 Schraube T20 (4x)
- 3 Wandhalterung
- 4 Einstellschraube T30 für Halterung

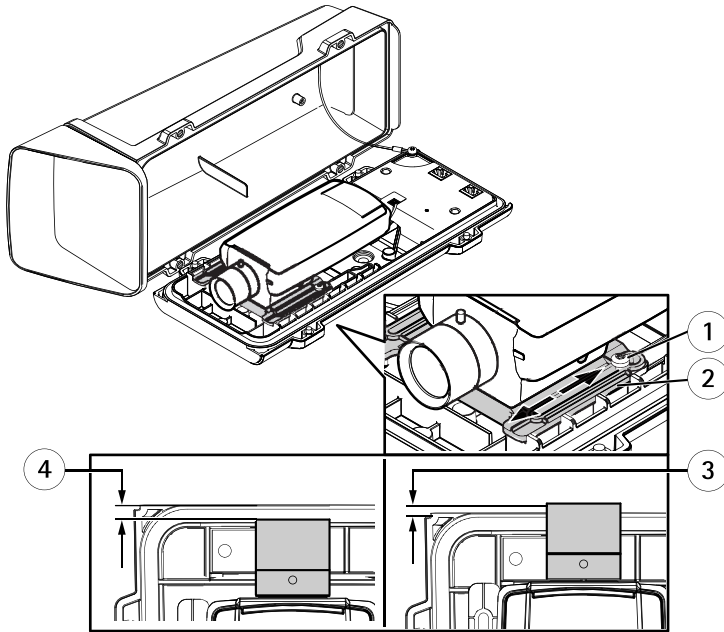
Einbauen der Kamera in das Gehäuse

1. Lösen Sie die Schrauben des Halters, und schieben Sie anschließend den Halter, während Sie diesen anheben (siehe Abbildung unten).
2. Bringen Sie den Halter an der Kamera an. Richten Sie den Kontakt und die Kameraschraube auf die Kontakt- und die Schraubenöffnung der Kamera aus, und ziehen Sie die Kameraschraube fest (Drehmoment 1 Nm). Achten Sie darauf, dass Sie die Schraube nicht überdrehen.



- 1 Halter
- 2 Schraube T20 für Halter (2x)
- 3 Kontakt
- 4 Schraube T20 für Kamera

3. Wenn Sie externe bzw. Eingabegeräte, Audiogeräte oder eine externes Netzteil an die Kamera anschließen, gehen Sie dabei entsprechend der Anweisungen in der Installationsanleitung der Kamera vor.
4. Bringen Sie den Halter an der unteren Abdeckung an. Gleichen Sie die Position des Halters vorsichtig an, und ziehen Sie die Schrauben des Halters fest (Drehmoment 0,5 Nm).



Beispielbild: AXIS T93F20 und AXIS P13-Serie

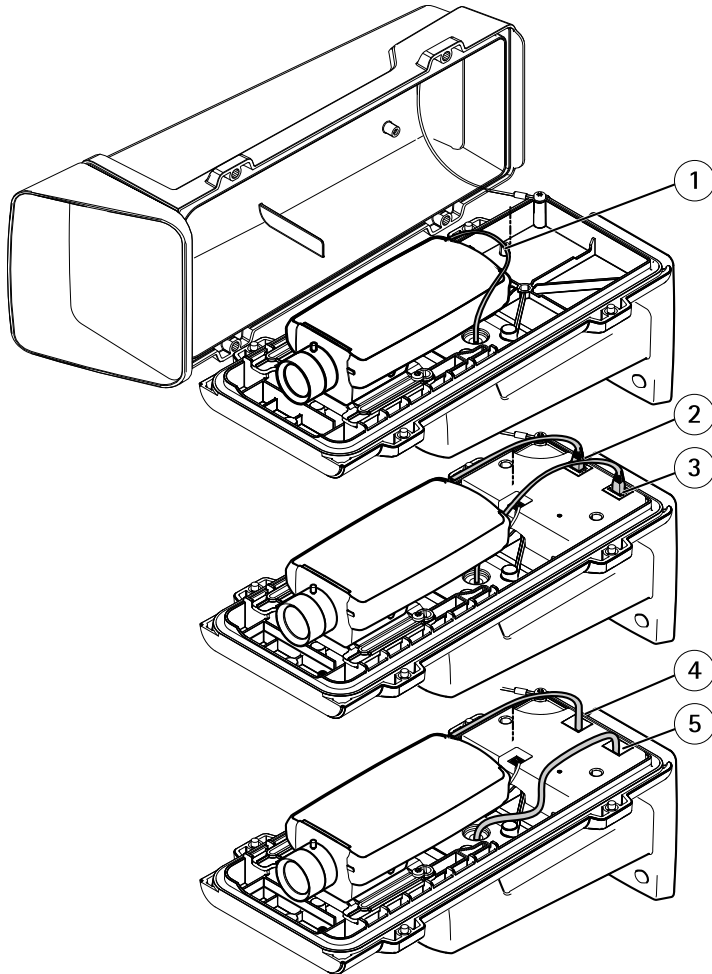
- 1 Schraube T20 für Halter (2x)
- 2 Halter
- 3 Position A (überlappend): +3,7 mm
- 4 Position B (Lücke): -6 mm bis -4 mm

HINWEIS

- Position A: Sie können Reflexionen im Bild vermeiden, indem Sie die Position des Halters so einstellen, dass der Rand des Kameraobjektivs mit dem Rand der unteren Abdeckung um +3,7 mm überlappt. Beachten Sie, dass diese Position nicht der IK10-Zertifizierung entspricht.
 - Position B: Die Anforderungen für die IK10-Zertifizierung können Sie erfüllen, indem Sie die Position des Halters so einstellen, dass die Lücke zwischen Kameraobjektiv und dem Rand der unteren Abdeckung zwischen -6 mm und -4 mm liegt.
5. (AXIS T93F10, AXIS T93F20) Schließen Sie das Kabel des Heizelements an den Heizelementanschluss in der unteren Abdeckung an.
 6. Wenn Sie eine SD-Karte als lokalen Speicher verwenden, schieben Sie die Karte in den SD-Karteneinschub der Kamera.
 7. Schließen Sie die Netzkabel an.

AXIS T93F Series

- (AXIS T93F05, AXIS T93F10) Schließen Sie die Kamera an das Netzwerk an.
 - (AXIS T93F20) Schließen Sie das Gehäuse an das Netzwerk (PoE-Eingang) und die Kamera am Gehäuse (PoE-Ausgang) an.
8. Schließen Sie die Stromkabel an (AXIS T93F10). Schließen Sie das Gehäuse an ein externes Netzteil (POWER IN) und die Kamera am Gehäuse (POWER OUT) an.

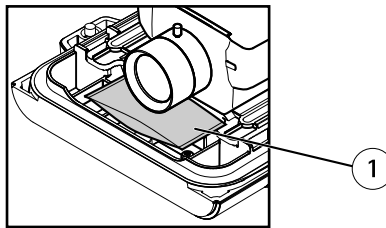


Beispielbilder: AXIS T93F05 (oben), AXIS T93F20 (mittig), AXIS T93F10 (unten) und AXIS P13 Serie

1 Netzwerkkabel

- 2 *Netzwerkanschluss (PoE-Ausgang)*
- 3 *Netzwerkanschluss (PoE-Eingang)*
- 4 *Netzanschluss (POWER OUT)*
- 5 *Netzanschluss (POWER IN)*

9. (AXIS T93F20, AXIS T93F10) Stellen Sie sicher, dass die Status-LEDs am Gehäuse den Betriebszustand ordnungsgemäß anzeigt. Siehe *LEDs (AXIS T93F10, AXIS T93F20) auf Seite 53*.
10. Vergewissern Sie sich, dass die Kamera-LEDs die richtigen Bedingungen anzeigen. Weitere Informationen finden Sie in der Installationsanleitung für die Kamera.
11. Lösen Sie die Einstellschraube der Halterung, und richten Sie die Kamera auf das gewünschte Ziel aus. Informationen zum Anzeigen des Videostreams finden Sie in der Installationsanleitung der Kamera oder unter www.axis.com/techsup.
12. Entfernen Sie die Plastikschatzhülle des Antikondensationsbeutels, und legen Sie den Antikondensationsbeutel unter das Objektiv.



1 *Antikondensationsbeutel*

13. Schließen Sie das Gehäuse. Ziehen Sie die Schrauben der unteren Abdeckung im Wechsel jeweils wenige Umdrehungen an, bis sie fest sitzen (Drehmoment 1,5 Nm). Auf diese Weise wird sichergestellt, dass die Dichtung der unteren Abdeckung gleichmäßig sitzt.

HINWEIS

Stellen Sie sicher, dass beim Schließen des Gehäuses keine Kabel eingeklemmt werden.

14. Wenn Sie einen Sonnenschutz verwenden (separat erhältlich), platzieren Sie diesen über der oberen Abdeckung, passen Sie die Position an, und ziehen Sie die Schrauben fest.

Weitere Informationen

Besuchen Sie das Axis-Schulungszentrum www.axis.com/academy für anregende Schulungen, Webinare, Lernprogramme und Anleitungen.

Gewährleistung

Informationen zur Gewährleistung der Axis Produkte und hierzu verbundene Informationen, finden Sie unter www.axis.com/warranty/

Informazioni di sicurezza

Leggere con attenzione questa Guida all'Installazione prima di installare il dispositivo. Conservare la Guida all'Installazione per usi futuri.

Livelli di pericolo

▲PERICOLO

Indica una situazione pericolosa che, se non evitata, provoca morte o lesioni gravi.

▲AVVERTENZA

Indica una situazione pericolosa che, se non evitata, può provocare la morte o lesioni gravi.

▲ATTENZIONE

Indica una situazione pericolosa che, se non evitata, può provocare lesioni medie o minori.

AWISO

Indica una situazione che, se non evitata, può danneggiare la proprietà.

Altri livelli d'informazione

Importante

Indica informazioni importanti, essenziali per il corretto funzionamento del prodotto.

Nota

Indica informazioni utili che aiutano a ottenere il massimo dal prodotto.

Istruzioni di sicurezza

AWISO

- Il prodotto Axis deve essere utilizzato in conformità alle leggi e alle disposizioni locali.
- Conservare il prodotto Axis in un ambiente asciutto e ventilato.
- Evitare di esporre il prodotto Axis a urti o pressioni eccessive.
- Non installare il prodotto su supporti, superfici o pareti instabili.
- Utilizzare solo strumenti applicabili quando si installa il prodotto Axis. Una forza eccessiva può causare danni al prodotto.
- Non utilizzare sostanze chimiche, agenti caustici o detergenti aerosol.
- Utilizzare un panno pulito inumidito in acqua pura per la pulizia.
- Utilizzare solo accessori compatibili con le specifiche tecniche del prodotto. Questi possono essere forniti da Axis o da terze parti.
- Utilizzare solo parti di ricambio fornite o consigliate da Axis.
- Non tentare di riparare il prodotto da soli. Contattare l'assistenza o il rivenditore Axis per questioni relative alla manutenzione.

Trasporti

AWISO

- Durante il trasporto del prodotto Axis, utilizzare l'imballaggio originale o equivalente per evitare danni al prodotto.

Guida all'installazione

Questa guida di installazione consente di installare la custodia protettiva AXIS T93F05 l'alloggiamento per esterni AXIS T93F10 e AXIS T93F20.

Per installare la telecamera in rete, consultare la guida all'installazione in dotazione al dispositivo. Per altre informazioni sull'utilizzo della telecamera, consultare la guida per l'utente sul sito www.axis.com

Procedure di installazione

1. Assicurarsi che il contenuto della confezione, gli strumenti e altri materiali necessari per l'installazione siano in ordine. Consultare *pagina 67*.
2. Studiare la descrizione dell'hardware. Consultare *pagina 69*.
3. Studiare le specifiche. Consultare *pagina 74*.
4. Installazione dell'hardware. Consultare *pagina 76*.

Contenuto della confezione

- Alloggiamento
 - Alloggiamento protettivo AXIS T93F05 o
 - Alloggiamento per esterni AXIS T93F10 (AC/DC), o
 - Alloggiamento per esterni AXIS T93F20 (PoE)
- AXIS T94Q01A Supporto a parete e canalina interna per cavi
- Punta da cacciavite T30
- Protezione del connettore AXIS A
- Connettore a spina a 2 pin per il cavo dell'alimentatore CA/CC (AXIS T93F10)
- Cavo
 - Cavo di alimentazione – per la connessione della telecamera all'alloggiamento (AXIS T93F10), o
 - Cavo di rete – per la connessione della telecamera all'alloggiamento (AXIS T93F20)
- Guarnizioni per cavi AXIS M20
- Sacchetto dell'essiccante
- Materiali stampati
 - Guida all'installazione (questo documento)
 - Guida all'installazione del supporto a parete AXIS T94Q01A

Strumenti consigliati

- Trapano per l'installazione del supporto a parete
- Cacciavite Torx T20 (incluso in tutti i pacchetti di telecamere compatibili)

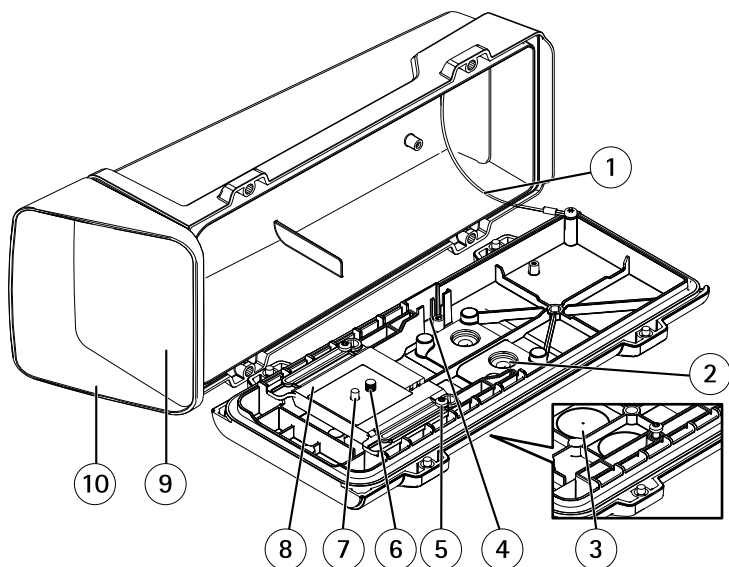
Accessori opzionali

- Parasole AXIS A
- Staffa AXIS Corridor Format A (AXIS T93F20)
- Staffa AXIS Corridor Format B (AXIS T93F10)
- Interruttore per porta AXIS A
- AXIS T94R01P Scatola di ancoraggio
- Illuminatori
- Supporti per il montaggio dell'alloggiamento
- Pressacavi e guarnizioni per cavi
- Armadio di sorveglianza AXIS T98A16-VE
- Supporti per il montaggio su palo AXIS T91A47
- Cavo interno staffa a soffitto VT WCM4A
- Supporto per il montaggio ad angolo VT WCWA

Visitare il sito Web www.axis.com per ottenere informazioni sugli accessori disponibili.

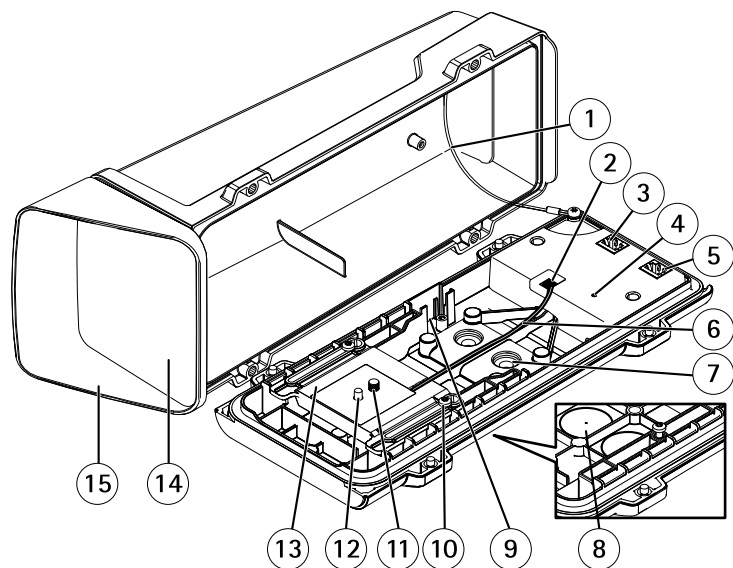
Panoramica dell'hardware

Alloggiamento



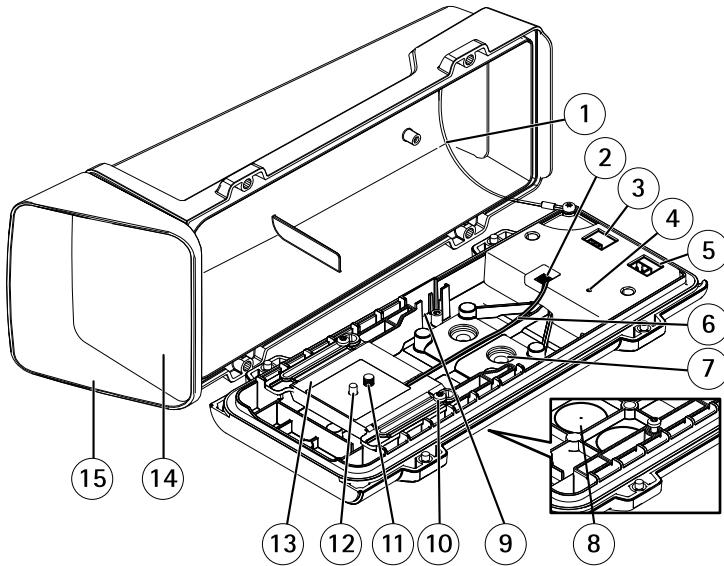
Alloggiamento protettivo AXIS T93F05

- 1 Cavo di sicurezza
- 2 Guarnizione cavo M20 (2x)
- 3 Preforo (2x)
- 4 Lo slot per l'interruttore dell'allarme anti intrusione è compatibile con l'interruttore per porta AXIS A (venduto separatamente)
- 5 Vite del supporto T20 (2x)
- 6 Vite della telecamera T20
- 7 Perno
- 8 Supporto
- 9 Finestra
- 10 Coperchio superiore



Alloggiamento per esterni AXIS T93F20

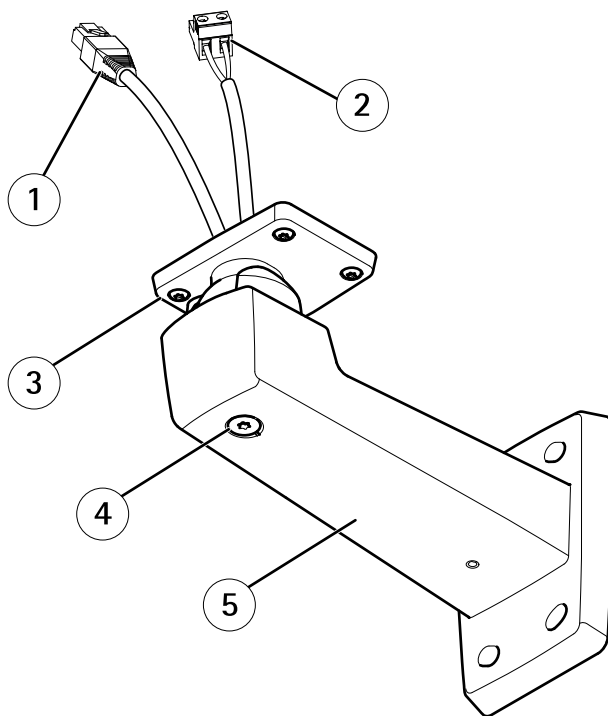
- 1 *Cavo di sicurezza*
- 2 *Morsettiera del riscaldatore*
- 3 *Connettore di rete (PoE OUT)*
- 4 *Indicatore LED di stato*
- 5 *Connettore di rete (PoE IN)*
- 6 *Cavo del riscaldatore*
- 7 *Guarnizione cavo M20 (2x)*
- 8 *Preforo (2x)*
- 9 *Lo slot per l'interruttore dell'allarme anti intrusione è compatibile con l'interruttore per porta AXIS A (venduto separatamente)*
- 10 *Vite del supporto T20 (2x)*
- 11 *Vite della telecamera T20*
- 12 *Pin*
- 13 *Supporto*
- 14 *Finestra*
- 15 *Coperchio superiore*



Alloggiamento per esterni AXIS T93F10

- 1 *Cavo di sicurezza*
- 2 *Morsettiera del riscaldatore*
- 3 *Connettore di alimentazione (ALIMENTAZIONE IN USCITA)*
- 4 *Indicatore LED di stato*
- 5 *Connettore di alimentazione (ALIMENTAZIONE IN ENTRATA)*
- 6 *Cavo del riscaldatore*
- 7 *Guarnizione cavo M20 (2x)*
- 8 *Preforo (2x)*
- 9 *Lo slot per l'interruttore dell'allarme anti intrusione è compatibile con l'interruttore per porta AXIS A (venduto separatamente)*
- 10 *Vite del supporto T20 (2x)*
- 11 *Vite della telecamera T20*
- 12 *Perno*
- 13 *Supporto*
- 14 *Finestra*
- 15 *Coperchio superiore*

Montaggio a parete



- 1 Cavo di rete (da instradare attraverso la staffa a parete)
- 2 Cavo di alimentazione (da instradare attraverso la staffa a parete) (AXIS T93F10)
- 3 Vite T20 (4x)
- 4 Vite di regolazione della staffa T30
- 5 Staffa a parete

Indicatori LED (AXIS T93F10, AXIS T93F20)

LED	Colore	Indicazione
LED di stato	Verde	Utilizzo normale
	Verde, lampeggio singolo	Errore riscaldatore
	Verde, lampeggio doppio	Verifica automatica
	Verde, lampeggio triplo	Errore generale

Connettori e pulsanti

Per le specifiche e le condizioni di funzionamento, consultare *pagina 74*.

Connettore di rete (AXIS T93F20)

Connettore Ethernet RJ45. Supporta Power over Ethernet (PoE).

- PoE IN: fornisce alimentazione e connessione Ethernet all'alloggiamento. Connessione alla rete tramite switch di rete PoE.
- PoE OUT: fornisce alimentazione e connessione Ethernet alla telecamera. Connessione fra alloggiamento e telecamera.

AVVISO

A causa delle normative locali o condizioni ambientali ed elettriche, è consigliabile utilizzare un cavo di rete schermato (STP). Tutti i cavi di rete del prodotto posizionati all'aperto o in ambienti elettrici in condizioni difficili sono destinati al loro uso specifico. Verificare che i dispositivi di rete siano installati secondo le istruzioni del produttore. Per ulteriori informazioni sui requisiti normativi, consultare *Regulatory Information on page 2*.

Morsettiera del riscaldatore (AXIS T93F10, AXIS T93F20)

Morsettiera a 4 pin per alimentare il riscaldatore e il sensore temperatura integrati nel supporto.

Connettori di alimentazione (AXIS T93F10)

Connettori per morsetti per alimentazione CA/CC.

- ALIMENTAZIONE IN ENTRATA – Fornisce alimentazione all'alloggiamento. Collegare all'alimentatore CA/CC esterno. Il connettore non dipende dalla polarità
- ALIMENTAZIONE IN USCITA – Fornisce alimentazione alla telecamera. Connessione fra alloggiamento e telecamera.

AXIS T93F Series

Dati tecnici

Condizioni di funzionamento

Il dispositivo Axis è destinato all'uso interno ed esterno.

Classificazione	
AXIS T93F05/AXIS T93F10/AXIS T93F20	IEC 60721-4-3 classe 4M4 IEC 60529 IP66 NEMA 250 Tipo 4X

Temperatura		
AXIS T93F05 ¹ /AXIS T93F10/AXIS T93F20		Da -40 °C a 60 °C (da -40 °F a 140 °F)
AXIS T93F05 ¹	Serie AXIS P13	Da 0 °C a 45 °C (da 32 °F a 113 °F)
	AXIS Q1604/Q1614	Da 0 °C a 45 °C (da 32 °F a 113 °F)
	AXIS Q1615	Da 0 °C a 50 °C (da 32 °F a 122 °F)
AXIS T93F10 AXIS T93F20	Serie AXIS P13	Da -40 °C a 45 °C (da -40 °F a 113 °F)
	AXIS Q1604/Q1614	Da -40 °C a 45 °C (da -40 °F a 113 °F)
	AXIS Q1615/Q1635	Da -40 °C a 50 °C (da -40 °F a 122 °F)

Importante

(AXIS T93F10, AXIS T93F20) Con una temperatura ambientale inferiore a 0 °C (32 °F), l'avvio potrebbe richiedere fino a 60 minuti. La temperatura è inversamente proporzionale alla durata dell'avvio (clima più freddo, avvio più lungo).

Umidità	
AXIS T93F05/AXIS T93F10/AXIS T93F20	Da 15 a 100% RH (umidità relativa con condensa)

Condizioni di stoccaggio

Temperatura	
AXIS T93F05/AXIS T93F10/AXIS T93F20	Da -40 °C a 75 °C (da -40 °F a 167 °F)

Consumo energetico

Dispositivo	Alimentatore	Uscita alimentazione (alla telecamera)
AXIS T93F05	n/d	n/d
AXIS T93F10	12-28 V CC, max 25 W 20-24 V CA, max. 29 VA	12 V CC, max. 1,5 A
AXIS T93F20	Power over Ethernet IEEE 802.3af/802.3at tipo 1 classe 3, max 15,4 W	

Area dei cavi

AWISO

- Utilizzare cavi di lunghezza adeguata all'area specificata.
- Selezionare i cavi nel rispetto delle normative locali.
- Verificare che i fori dei cavi siano correttamente sigillati.

Diametro	AWG
5-15 mm (0,197-0,591 pollici)	Circa 4-6/0

Per creare ulteriori fori per i cavi, aprire i prefori collocati sotto il supporto. Consultare *Panoramica dell'hardware alla pagina 69*.

AWISO

Usare guarnizioni per cavi o pressacavi corrispondenti al foro e all'area dei cavi.

Per informazioni sugli accessori disponibili, come ad esempio guarnizioni per cavi e pressacavi adatti per altre aree dei cavi, visitare il sito Web www.axis.com.

Installazione dell'Hardware

AVVISO

- A causa delle normative locali o condizioni ambientali ed elettriche, è consigliabile utilizzare un cavo di rete schermato (STP). Tutti i cavi di rete del prodotto posizionati all'aperto o in ambienti elettrici in condizioni difficili sono destinati al loro uso specifico. Verificare che i dispositivi di rete siano installati secondo le istruzioni del produttore.

(AXIS T93F05) Per maggiori informazioni sui requisiti normativi, consultare la guida all'installazione della telecamera.

(AXIS T93F10, AXIS T93F20) Per maggiori informazioni sui requisiti normativi, consultare *Regulatory Information on page 2*

- Non graffiare, danneggiare o lasciare impronte digitali sulla finestra per preservare la qualità dell'immagine.

È possibile installare il dispositivo Axis instradando i cavi attraverso o lungo la parete.

Leggere tutte le istruzioni prima di installare il prodotto:

1. Installazione del supporto per il montaggio a parete. Consultare *pagina 76*. Per istruzioni dettagliate, consultare la guida all'installazione del supporto di montaggio a parete presente nella confezione o visitare l'indirizzo www.axis.com
2. Montare l'alloggiamento al supporto a parete. Consultare *pagina 77*.
3. Installare la telecamera nell'alloggiamento. Consultare *pagina 79*.

Installazione del supporto per il montaggio a parete

▲ATTENZIONE

Verificare che le viti e i tasselli siano adatti al materiale della parete (es. legno, metallo, cartongesso, pietra) e che il materiale sia in grado di sostenere telecamera, alloggiamento e supporto per il montaggio a parete.

1. Preparare la parete per l'installazione del supporto. Utilizzare il supporto per il montaggio a parete come profilo e contrassegnare i punti da trapanare.
2. Far passare il cavo di rete attraverso la staffa a parete. Lasciare circa 30 cm (11,8 pollici) di cavo per il collegamento alla telecamera.
3. Far passare il cavo di alimentazione (AXIS T93F10) attraverso la staffa a parete. Lasciare circa 30 cm (11,8 pollici) di cavo per il collegamento alla telecamera.
4. In caso di connessione di un dispositivo (es. di I/O, audio o alimentazione esterna) alla telecamera, ripetere il passaggio precedente (se consentito per il dispositivo in questione).
5. Fissare la staffa alla parete serrando le viti.

Nota

- Per istruzioni dettagliate, consultare la guida all'installazione del supporto di montaggio a parete presente nella confezione e disponibile all'indirizzo www.axis.com
- Per ulteriori specifiche tecniche, consultare la guida per l'utente della telecamera sul sito www.axis.com

Montare l'alloggiamento al supporto a parete

AVVISO

- Utilizzare cavi di lunghezza adeguata all'area cavi specificata, vedere *pagina 75*. L'utilizzo di una guarnizione per cavi diversa da quella in dotazione può causare infiltrazioni d'acqua e danni al prodotto. Per informazioni sulle guarnizioni per cavi e i pressacavi adatti per altre aree dei cavi, visitare il sito Web www.axis.com.
- Utilizzando più di un cavo, instradare ciascun cavo attraverso una guarnizione separata.
- Aprire un foro solo nelle guarnizioni utilizzate e sostituirle in caso di danno. Una guarnizione per cavi aperta o danneggiata potrebbe causare infiltrazioni d'acqua nel prodotto e gravi danni.

1. Allentare le viti del coperchio inferiore e sollevare il coperchio superiore.
2. Scegliere la guarnizione per cavi da usare e tirare la linguetta per aprire il foro per il cavo di rete.

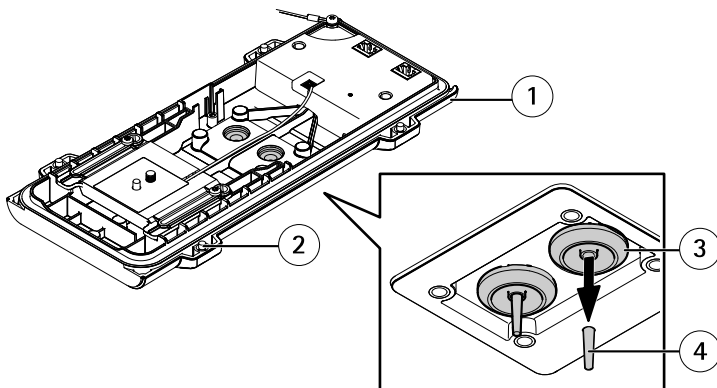


Immagine di esempio: AXIS T93F20

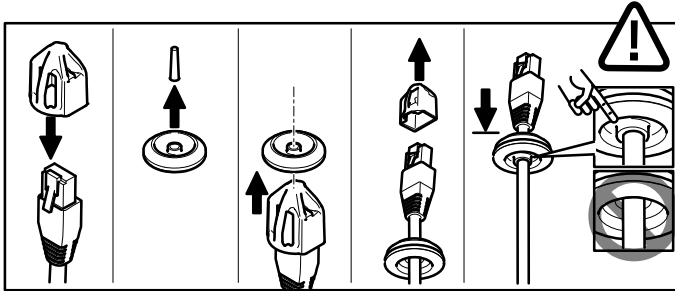
- 1 Coperchio inferiore
- 2 Vite del coperchio inferiore T20 (4x)
- 3 Guarnizione cavo M20 (2x)
- 4 Linguetta

AXIS T93F Series

- Inserire il cavo di rete attraverso la guarnizione per cavi.

AVVISO

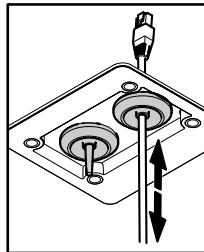
Se il cavo di rete dispone di un connettore preinstallato, rimuovere la guarnizione per cavi e usare la protezione del connettore per evitare danni alla guarnizione. Non usare cavi di rete dotati di connettori di rete con tappi, poiché potrebbero danneggiare la guarnizione del cavo nonostante la protezione del connettore.



- Tirare delicatamente il cavo di rete in modo da adattare la guarnizione al cavo.

AVVISO

Se il cavo non viene tirato potrebbero verificarsi infiltrazioni d'acqua e danni al dispositivo.



- Verificare il corretto montaggio della guarnizione del cavo.
- Utilizzare l'altra guarnizione del cavo per il cavo di alimentazione (AXIS T93F10). Ripetere i passi sopra riportati.

AVVISO

Montare la morsetteria di alimentazione dopo aver spinto il cavo attraverso la guarnizione del cavo.

- In caso di connessione di un dispositivo (es. di I/O, audio o alimentazione esterna) alla telecamera, ripetere i passaggi precedenti (se consentito per il dispositivo in questione).

- Inserire il coperchio superiore sul supporto a parete e serrare le viti (torsione di 2 Nm).

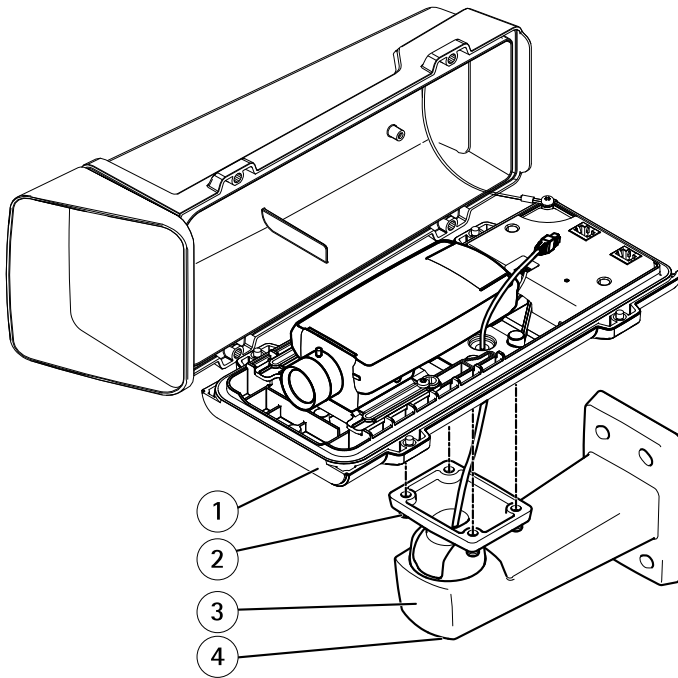
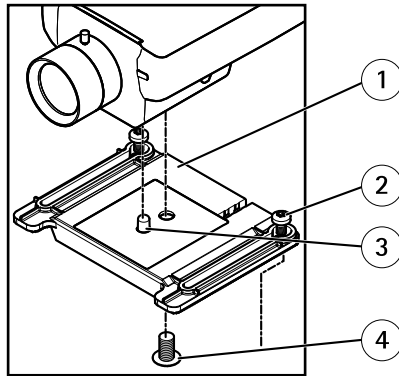


Immagine di esempio: Serie AXIS T93F20 e AXIS P3301/-V

- Coperchio inferiore
- Vite T20 (4x)
- Staffa a parete
- Vite di regolazione della staffa T30

Installare la telecamera nell'alloggiamento

- Allentare le viti del supporto, farlo scorrere e sollevarlo, vedere l'immagine riportata di seguito.
- Collegare il supporto alla telecamera. Allineare il perno e la vite della telecamera con il foro del perno e il supporto delle viti sulla telecamera, quindi serrare la vite della telecamera (torsione di 1 Nm). Non serrare la vite in maniera eccessiva.



- 1 *Supporto*
- 2 *Vite del supporto T20 (2x)*
- 3 *Pin*
- 4 *Vite della telecamera T20*

3. In caso di connessione di un dispositivo (es. di input o esterno, audio o alimentazione esterna) alla telecamera, rispettare le istruzioni indicate nella guida all'installazione della telecamera.
4. Fissare il supporto al coperchio inferiore. Regolare con cura la posizione del supporto e serrare le viti (torsione di 0,5 Nm).

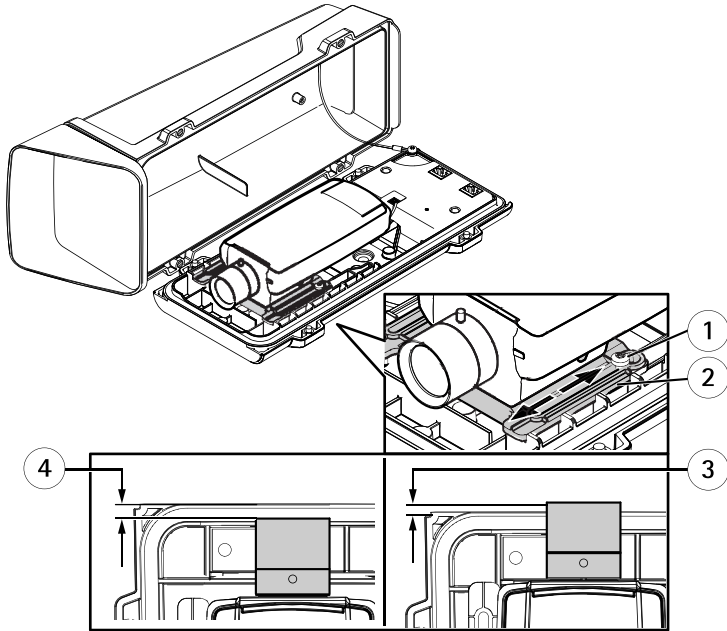


Immagine di esempio: Serie AXIS T93F20 e AXIS P3301/-V

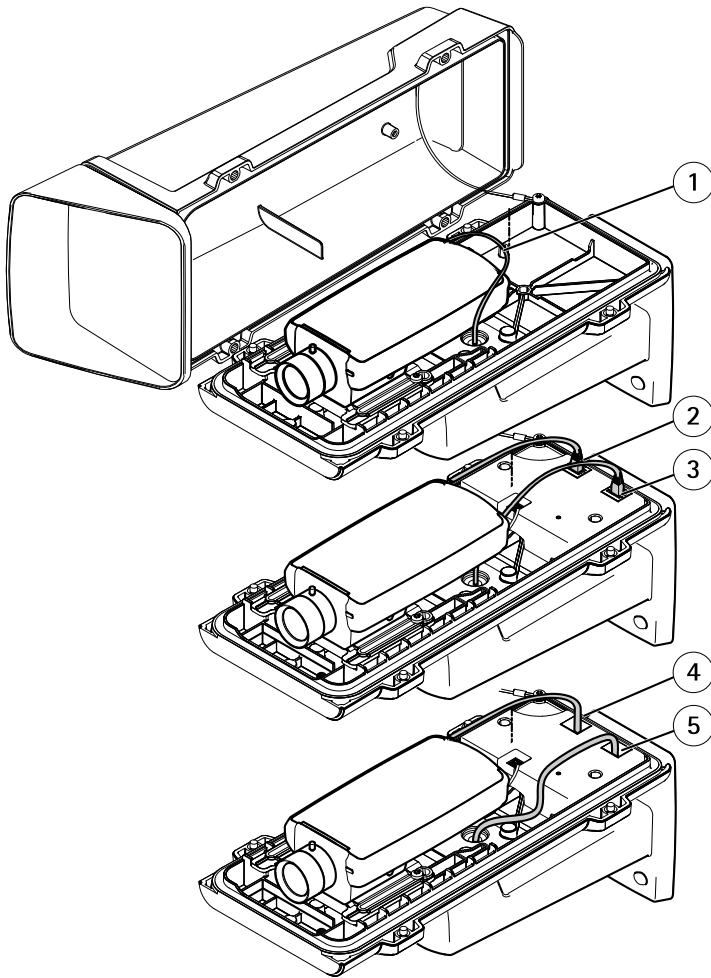
- 1 Vite del supporto T20 (2x)
- 2 Supporto
- 3 Posizione A (sovrapposizione): +3,7 mm (+0,15 in)
- 4 Posizione di messa a fuoco B (divario): Da -6 mm a -4 mm (da -0,24 in a -0,16 pollici)

AWISO

- Posizione A: Per evitare riflessi nell'immagine, regolare la posizione del supporto in modo che il bordo dell'obiettivo della telecamera si sovrapponga di 3,7 mm (0,15 pollici) a quello del coperchio. Nota: questa posizione invalida la classificazione IK10.
 - Posizione B (30 W): Per soddisfare i requisiti della classificazione IK10, regolare la posizione del supporto con un divario fra l'obiettivo della telecamera e i bordi del coperchio inferiore compreso fra -6 mm e -4 mm (-0,24 in e -0,16 pollici).
5. (AXIS T93F10, AXIS T93F20) Collegare il cavo del riscaldatore al connettore del coperchio inferiore.
 6. Se si utilizza una scheda SD per l'archiviazione locale, inserirla nell'apposito slot della telecamera.
 7. Collegare i cavi di rete.

AXIS T93F Series

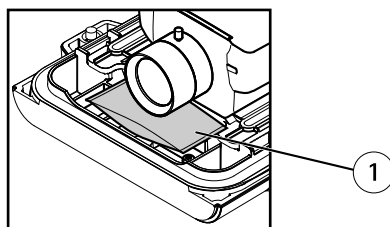
- (AXIS T93F05, AXIS T93F10) Collegare la telecamera alla rete.
 - (AXIS T93F20) Collegare l'alloggiamento alla rete (PoE IN) e la telecamera all'alloggiamento (PoE OUT).
8. Collegare i cavi di alimentazione (AXIS T93F10). Collegare l'alloggiamento all'alimentazione esterna (ALIMENTAZIONE IN ENTRATA) e la telecamera all'alloggiamento (ALIMENTAZIONE IN USCITA).



Immagini di esempio: Serie AXIS T93F05 (sopra), AXIS T93F20 (in mezzo), AXIS T93F10 (in fondo) e AXIS P13

- 1 Cavo di rete
- 2 Connettore di rete (PoE OUT)
- 3 Connettore di rete (PoE IN)
- 4 Connettore di alimentazione (ALIMENTAZIONE IN USCITA)
- 5 Connettore di alimentazione (ALIMENTAZIONE IN ENTRATA)

9. (AXIS T93F20, AXIS T93F10) Verificare che il LED di stato dell'alloggiamento indichi la corretta condizione di funzionamento. Consultare *Indicatori LED (AXIS T93F10, AXIS T93F20) alla pagina 73*.
10. Verificare che i LED della telecamera indichino le corrette condizioni. Consultare la guida all'installazione della telecamera.
11. Allentare la vite di regolazione della staffa per orientare la telecamera verso il punto desiderato. Per istruzioni utili a visualizzare il flusso video, consultare la guida all'installazione o visitare il sito www.axis.com/techsup
12. Rimuovere la busta di plastica del sacchetto dell'essiccante e collocarlo sotto l'obiettivo.



1 Sacchetto dell'essiccante

13. Chiudere l'alloggiamento. Girare le viti del coperchio inferiore in maniera alternata fino a quando non saranno tutte serrate (torsione di 1,5 Nm). In questo modo è possibile comprimere la guarnizione del coperchio inferiore in modo uniforme.

AVVISO

Verificare che i cavi non restino incastrati durante la chiusura dell'alloggiamento.

14. Se si utilizza un parasole (venduto separatamente), posizionarlo sul coperchio superiore, regolarne la posizione e serrare le viti.

Ulteriori Informazioni

Visitare il Centro di apprendimento Axis alla pagina www.axis.com/academy per servizi di formazione utili, webinar, tutorial e guide.

Informazioni sulla garanzia

Per informazioni sulla garanzia del prodotto Axis e informazioni ad esso relative, consultare la pagina www.axis.com/warranty/

Información de seguridad

Lea esta Guía de instalación con atención antes de instalar el producto. Guarde la Guía de instalación para poder consultarla en otro momento.

Niveles de peligrosidad

▲PELIGRO

Indica una situación peligrosa que, si no se evita, provocará lesiones graves o la muerte.

▲ADVERTENCIA

Indica una situación peligrosa que, si no se evita, puede provocar lesiones graves o la muerte.

▲ATENCIÓN

Indica una situación peligrosa que, si no se evita, puede provocar lesiones moderadas o leves.

AVISO

Indica una situación peligrosa que, si no se evita, puede provocar daños materiales.

Otros niveles de mensaje

Importante

Indica información importante que es fundamental para que el producto funcione correctamente.

Nota

Indica información útil que ayuda a aprovechar el producto al máximo.

Instrucciones de seguridad

AVISO

- El producto de Axis debe utilizarse de acuerdo con las leyes y normas locales.
- Almacene el producto de Axis en un entorno seco y ventilado.
- Evite la exposición del producto de Axis a choques o a una fuerte presión.
- No instale el producto en soportes, superficies o paredes inestables.
- Utilice solo las herramientas correspondientes cuando instale el producto de Axis. La aplicación de una fuerza excesiva puede provocar daños en el producto.
- No utilice limpiadores en aerosol, agentes cáusticos ni productos químicos.
- Limpie con un trapo limpio humedecido con agua pura.
- Utilice solo accesorios que cumplan con las especificaciones técnicas del producto. Estos accesorios los puede proporcionar Axis o un tercero.
- Utilice solo piezas de repuesto proporcionadas o recomendadas por Axis.
- No intente reparar el producto usted mismo. Póngase en contacto con el servicio de asistencia técnica de Axis o con su distribuidor de Axis para tratar asuntos de reparación.

Transporte

AVISO

- Cuando transporte el producto de Axis, utilice el embalaje original o un equivalente para evitar daños en el producto.

Guía de instalación

Esta Guía de instalación ofrece instrucciones para la instalación de la carcasa de protección AXIS T93F05, la carcasa para exteriores AXIS T93F10 y la carcasa para exteriores AXIS T93F20.

Para instalar la cámara en la red, consulte la Guía de instalación proporcionada con la cámara. Para conocer más detalles acerca de la cámara, consulte el Manual del usuario disponible en www.axis.com.

Pasos de la instalación

1. Asegúrese de que dispone del contenido del paquete, las herramientas y los demás materiales necesarios para la instalación. *Vea página 87.*
2. Estudie la información general del hardware. *Vea página 89.*
3. Estudie las especificaciones. *Vea página 94.*
4. Instale el hardware. *Vea página 96.*

Contenido del paquete

- Carcasa
 - Carcasa de protección AXIS T93F05 o
 - Carcasa para exteriores AXIS T93F10 (CA/CC) o
 - Carcasa para exteriores AXIS T93F20 (PoE)
- Montaje en pared AXIS T94Q01A con canal para cable interno
- Broca T30
- Protector del conector A de AXIS
- Conector con enchufe de 2 pines para el cable de alimentación CA/CC (AXIS T93F10).
- Cable
 - Cable de alimentación, para conectar la cámara a la carcasa (AXIS T93F10) o
 - Cable de red, para conectar la cámara a la carcasa (AXIS T93F20)
- Juntas de cable AXIS M20
- Bolsa desecante
- Materiales impresos
 - Guía de instalación (este documento)
 - Guía de instalación para el montaje en pared AXIS T94Q01A

Herramientas recomendadas

- Taladro, para instalar el montaje en pared

AXIS T93F Series

- Destornillador Torx T20 (incluido en todos los paquetes de cámaras compatibles)

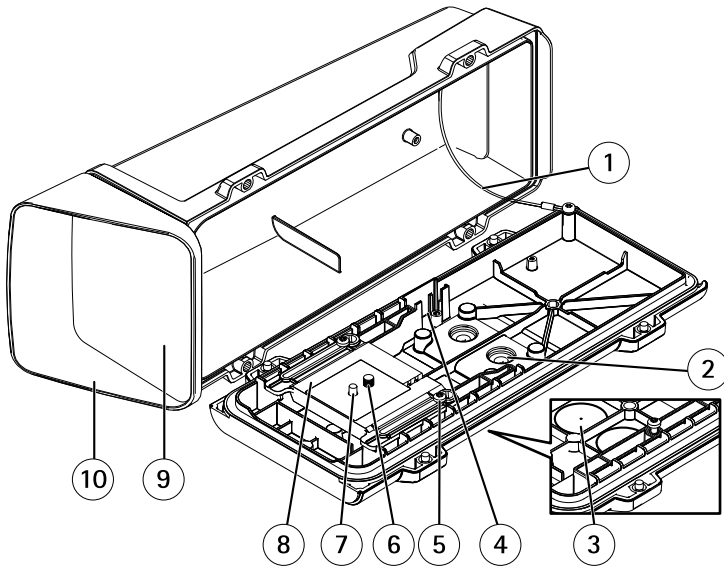
Accesorios opcionales

- Parasol A de AXIS
- Escuadra para formato Corridor Format A (AXIS T93F20)
- Escuadra para formato Corridor Format B (AXIS T93F10)
- Interruptor de puerta A de AXIS
- Caja posterior de conexiones AXIS T94R01P
- Iluminadores
- Montajes en carcasa
- Juntas de cable y prensaestopas
- Armario de vigilancia AXIS T98A16-VE
- Montajes en poste AXIS T91A47
- Cable WCM4A interior de escuadra de techo VT
- Montaje en esquina VT WCWA

Para obtener información sobre los accesorios disponibles, visite www.axis.com.

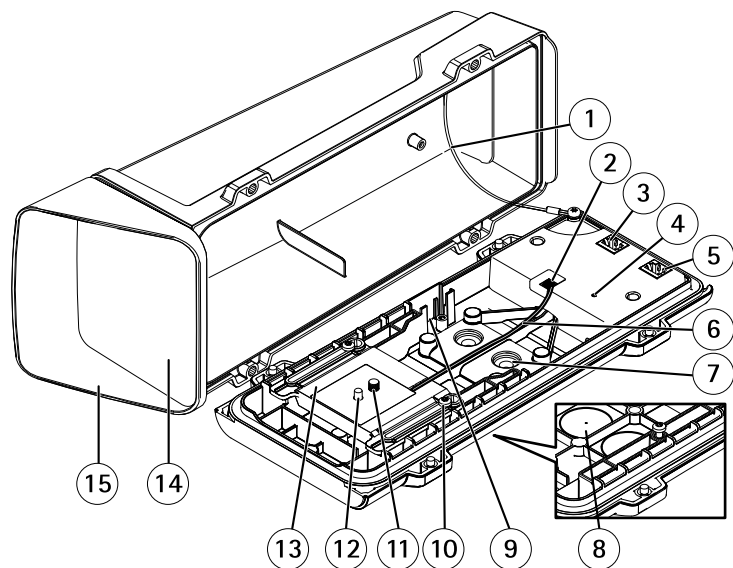
Información general del hardware

Carcasa



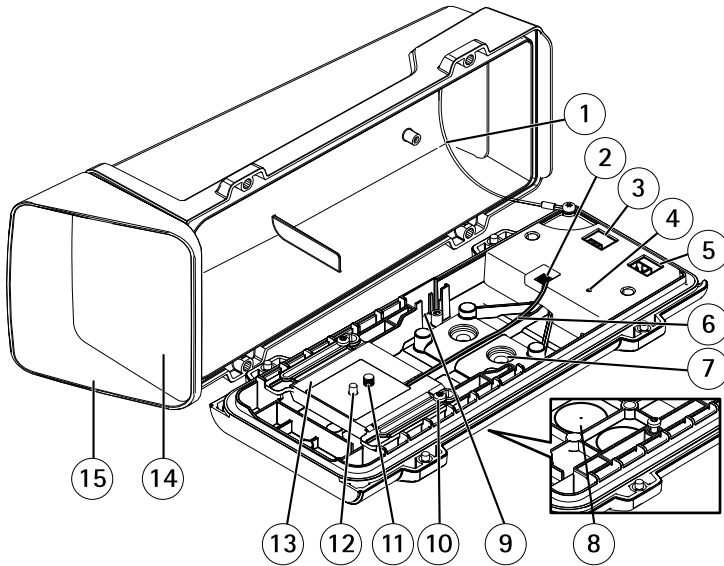
Carcasa de protección AXIS T93F05

- 1 Cable de seguridad
- 2 Junta de cable M20 (2x)
- 3 Orificio preperforado (2x)
- 4 Ranura para interruptor de alarma contra intrusiones; compatible con el interruptor de puerta A de AXIS (se vende por separado)
- 5 Tornillo del soporte T20 (2x)
- 6 Tornillo de la cámara T20
- 7 Pin
- 8 Soporte
- 9 Ventana
- 10 Cubierta superior



Carcasa para exteriores AXIS T93F20

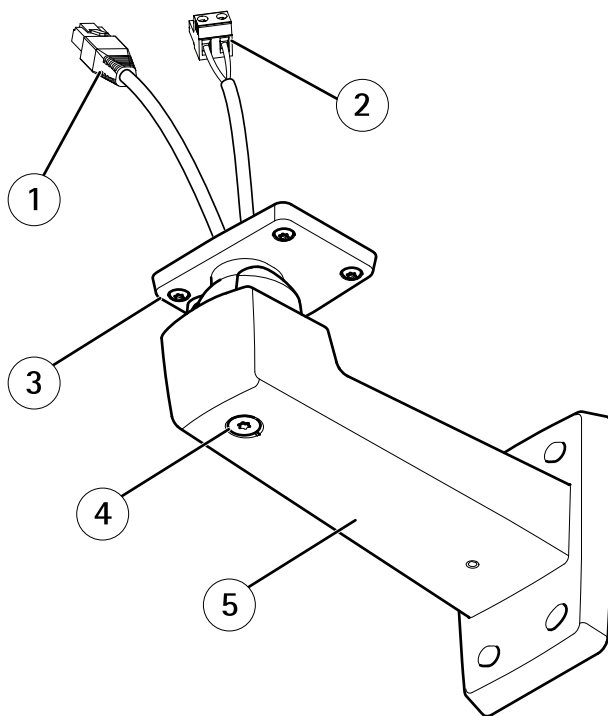
- 1 Cable de seguridad
- 2 Conector del calentador
- 3 Conector de red (PoE OUT)
- 4 Indicador LED de estado
- 5 Conector de red (PoE IN)
- 6 Cable del calentador
- 7 Junta de cable M20 (2x)
- 8 Orificio preperforado (2x)
- 9 Ranura para interruptor de alarma contra intrusiones; compatible con el interruptor de puerta A de AXIS (se vende por separado)
- 10 Tornillo del soporte T20 (2x)
- 11 Tornillo de la cámara T20
- 12 Pin
- 13 Soporte
- 14 Ventana
- 15 Cubierta superior



Carcasa para exteriores AXIS T93F10

- 1 *Cable de seguridad*
- 2 *Conector del calentador*
- 3 *Conector de alimentación (POWER OUT)*
- 4 *Indicador LED de estado*
- 5 *Conector de alimentación (POWER IN)*
- 6 *Cable del calentador*
- 7 *Junta de cable M20 (2x)*
- 8 *Orificio perforado (2x)*
- 9 *Ranura para interruptor de alarma contra intrusiones; compatible con el interruptor de puerta A de AXIS (se vende por separado)*
- 10 *Tornillo del soporte T20 (2x)*
- 11 *Tornillo de la cámara T20*
- 12 *Pin*
- 13 *Soporte*
- 14 *Ventana*
- 15 *Cubierta superior*

Montaje en pared



- 1 Cable de red (guiado a través de la escuadra de pared)
- 2 Cable de alimentación (guiado a través de la escuadra de pared) (AXIS T93F10)
- 3 Tornillo T20 (4x)
- 4 Tornillo de ajuste de escuadra T30
- 5 Escuadra de pared

Indicadores LED (AXIS T93F10, AXIS T93F20)

LED	Color	Indicación
Estado	Verde	Funcionamiento normal
	Verde, un parpadeo	error del calefactor
	Verde, doble parpadeo	autocomprobación
	Verde, triple parpadeo	error general

Conectores y botones

Para conocer las especificaciones y las condiciones de funcionamiento, vea *página 94*.

Conector de red (AXIS T93F20)

Conector Ethernet RJ45. Admite alimentación a través de Ethernet (PoE).

- PoE IN: Suministra alimentación y Ethernet a la carcasa. Conéctese a la red a través de un switch de red habilitado para PoE.
- PoE OUT: Suministra alimentación y Ethernet a la cámara. Realiza la conexión entre la carcasa y la cámara.

AVISO

Debido a la normativa local o a las condiciones ambientales y eléctricas en las que se vaya a utilizar el producto, puede que sea adecuado u obligatorio el uso de un cable de red blindado (STP). Todos los cables que conectan el producto a la red y que se utilicen en exteriores o en entornos eléctricos exigentes deberán estar blindados y diseñados para su uso específico. Asegúrese de que los dispositivos de red estén instalados de conformidad con las instrucciones del fabricante. Para obtener información sobre los requisitos normativos, vea *Regulatory Information on page 2*.

ESPAÑOL

Conector del calefactor (AXIS T93F10, AXIS T93F20)

Bloque de terminales de 4 pines utilizado para alimentar el calefactor y el sensor de temperatura integrados en el soporte.

Conectores de alimentación (AXIS T93F10)

Conectores del terminal de alimentación CA/CC.

- POWER IN: proporciona alimentación a la carcasa. Conecte a la fuente de alimentación CA/CC externa. El conector es de polaridad independiente.

AXIS T93F Series

- **POWER OUT:** proporciona alimentación a la cámara. Realiza la conexión entre la carcasa y la cámara.

Especificaciones

Condiciones de funcionamiento

El producto de Axis se ha creado para su uso en interiores y exteriores.

Clasificación	
AXIS T93F05/AXIS T93F10/AXIS T93F20	IEC 60721-4-3 clase 4M4 IEC 60529 IP66 NEMA 250 tipo 4X

Temperatura		
AXIS T93F05 ¹ /AXIS T93F10/AXIS T93F20		De -40 °C a 60 °C
AXIS T93F05 ¹	Serie AXIS P13	De 0 °C a 45 °C
	AXIS Q1604/Q1614	De 0 °C a 45 °C
	AXIS Q1615	De 0 °C a 50 °C
AXIS T93F10 AXIS T93F20	Serie AXIS P13	De -40 °C a 45 °C
	AXIS Q1604/Q1614	De -40 °C a 45 °C
	AXIS Q1615/Q1635	De -40 °C a 50 °C

Importante

(AXIS T93F10, AXIS T93F20) Cuando la temperatura ambiente es inferior a 0 °C, la cámara podría tardar 60 minutos en arrancar. Cuanto más frío haga, más tardará en arrancar.

Humedad	
AXIS T93F05/AXIS T93F10/AXIS T93F20	15–100 % de humedad relativa (con condensación)

Condiciones de almacenamiento

Temperatura	
AXIS T93F05/AXIS T93F10/AXIS T93F20	De -40 °C a 75 °C

Consumo

Producto	Fuente de alimentación	Salida (a la cámara)
AXIS T93F05	n/a	n/a
AXIS T93F10	12–28 V CC, 25 W máx. 20–24 V CA, 29 VA máx.	12 V CC, 1,5 A máx.
AXIS T93F20	Alimentación a través de Ethernet IEEE 802.3af/802.3at tipo 1 clase 3, 15,4 W máx.	

Área de cableado

AVISO

- Utilice cables que puedan permanecer dentro del área de cableado especificada.
- Elija cables que cumplan la normativa local aplicable.
- Asegúrese de que todos los orificios para cables estén debidamente sellados.

Diámetro	AWG
5–15 mm	Aproximadamente 4–6/0

En caso de necesitar orificios para cables adicionales, abra los orificios preperforados situados debajo del soporte. Vea *Información general del hardware en la página 89*.

AVISO

Utilice juntas de cable o prensaestopas que se ajusten tanto al orificio para cable como al área de cableado.

Para obtener información acerca de los accesorios, como juntas de cable y prensaestopas permitidos para otras áreas de cableado, visite www.axis.com.

Instalación del hardware

AVISO

- Debido a la normativa local o a las condiciones ambientales y eléctricas en las que se vaya a utilizar el producto, puede que sea adecuado u obligatorio el uso de un cable de red blindado (STP). Todos los cables que conectan el producto a la red y que se utilicen en exteriores o en entornos eléctricos exigentes deberán estar blindados y diseñados para su uso específico. Asegúrese de que los dispositivos de red estén instalados de conformidad con las instrucciones del fabricante.

(AXIS T93F05) Para obtener información sobre los requisitos normativos, consulte la Guía de instalación de la cámara.

(AXIS T93F10, AXIS T93F20) Para obtener información sobre los requisitos normativos, consulte *Regulatory Information on page 2*

- Preste atención para no arañar, dañar ni dejar las huellas en la ventana de la carcasa, puesto que esto puede provocar una disminución de la calidad de imagen.

El producto de Axis puede instalarse guiando los cables a través de la pared o sobre esta.

Lea todas las instrucciones antes de instalar el producto:

1. Instale el montaje en pared. Vea *página 96*. Para obtener instrucciones detalladas, consulte la Guía de instalación del montaje en pared, incluida en el paquete o disponible en www.axis.com.
2. Fije la carcasa al montaje en pared. Vea *página 97*.
3. Instale la cámara en la carcasa. Vea *página 99*.

Instalación del montaje en pared

⚠ATENCIÓN

Asegúrese de que los tornillos y tapones sean los adecuados para el material (p. ej. madera, metal, placas de yeso, piedra) y que el material sea lo suficientemente resistente para soportar el peso combinado de la cámara, la carcasa y el montaje en pared.

1. Prepare la pared para instalar el montaje en pared. Utilice la escuadra de pared como una plantilla y marque la ubicación de los orificios antes de perforarlos.
2. Guíe el cable de red a través de la escuadra de pared. Deje unos 30 cm de cable aproximadamente para conectarlo a la cámara.
3. Guíe el cable de alimentación (AXIS T93F10) a través de la escuadra de pared. Deje unos 30 cm de cable aproximadamente para conectarlo a la cámara.
4. Si se conecta un dispositivo auxiliar a la cámara, por ejemplo un dispositivo de alimentación externo, un dispositivo de E/S o uno de audio, repita el paso anterior aplicado a cada dispositivo en cuestión.
5. Fije la escuadra de pared apretando los tornillos.

Nota

- Para obtener instrucciones detalladas, consulte la Guía de instalación del montaje en pared, incluida en el paquete y disponible en www.axis.com.
- Si desea conocer más especificaciones técnicas, consulte el Manual del usuario en www.axis.com

Fijación de la carcasa al montaje en pared

AVISO

- Utilice los cables que permanecen dentro del área de cableado especificada, vea *página 95*. Si utiliza otra junta de cable distinta de la proporcionada, el agua podría filtrarse y dañar el producto. Para obtener más información acerca de las juntas de cable y de los prensaestopas permitidos para otras áreas de cableado, visite www.axis.com.
 - Si se utiliza más de un cable, deberá pasarse cada cable a través de una junta distinta.
 - Solo abra un orificio en las juntas de cable que se vayan a utilizar y si alguna junta está desgastada, reemplácela con una nueva. Si deja la junta de cable abierta o utiliza una desgastada, el agua podría filtrarse y dañar el producto.
1. Afloje los tornillos de la cubierta inferior y levante la cubierta superior.
 2. Seleccione la junta de cable que vaya a utilizar y tire de la lengüeta para abrir un orificio para el cable de red.

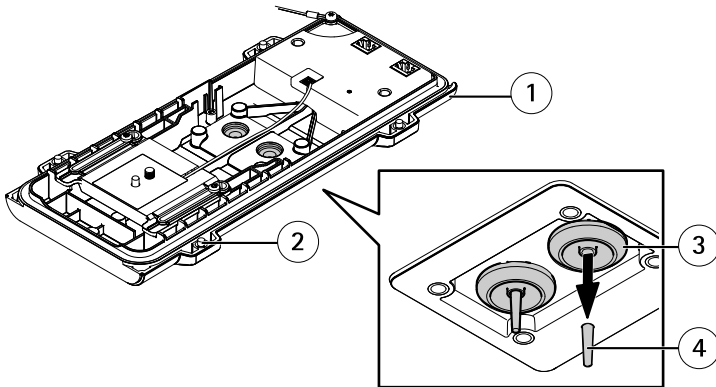


Imagen de ejemplo: AXIS T93F20

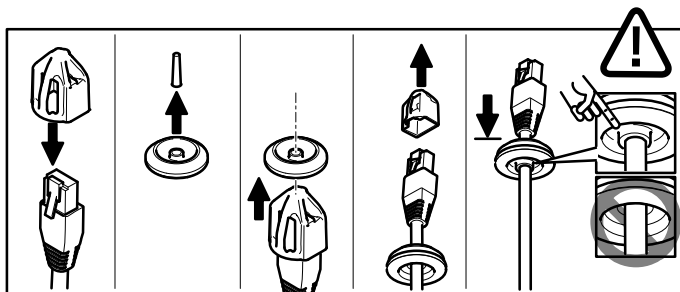
- 1 Cubierta inferior
- 2 Tornillo T20 de cubierta inferior (4x)
- 3 Junta de cable M20 (2x)
- 4 Lengüeta

AXIS T93F Series

- Empuje el cable de red a través de la junta de cable.

AVISO

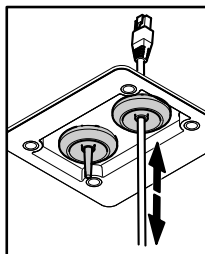
Si el cable de red incluye un conector de red premontado, retire la junta de cable y utilice el protector del conector para evitar que la junta de cable se rompa. Evite utilizar cables de red con conectores de red recubiertos ya que podrían rasgar la junta de cable a pesar de utilizar el protector.



- Tire del cable de red hacia atrás suavemente de manera que la junta de cable se ajuste en el cable.

AVISO

Si no se tira del cable hacia atrás, podría filtrarse agua y dañar el producto.



- Asegúrese de que la junta de cable encaje correctamente.
- Utilice otra junta de cable para el cable de alimentación (AXIS T93F10). Repita los pasos anteriores.

AVISO

Monte el conector de alimentación después de haber encajado el cable de alimentación en la junta de cable.

7. Si se conecta un dispositivo auxiliar a la cámara, por ejemplo un dispositivo de alimentación externo, un dispositivo de E/S o uno de audio, repita los pasos anteriores aplicados a cada dispositivo en cuestión.
8. Coloque la cubierta inferior sobre el montaje en pared y apriete los tornillos (par de torsión de 2 Nm).

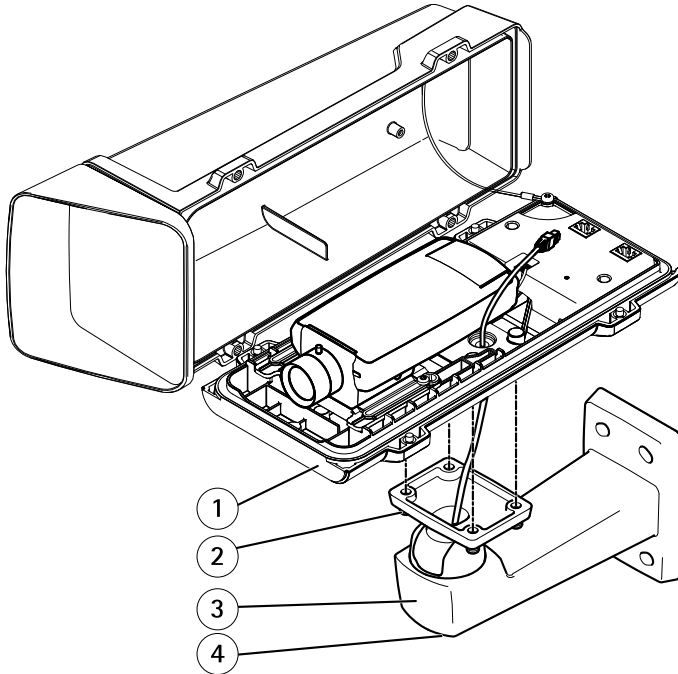
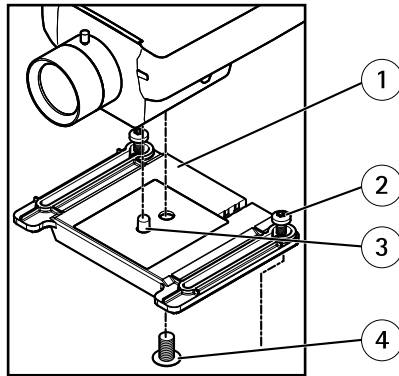


Imagen de ejemplo: Series AXIS T93F20 y AXIS P13

- 1 Cubierta inferior
- 2 Tornillo T20 (4x)
- 3 Escuadra de pared
- 4 Tornillo de ajuste de escuadra T30

Instalación de la cámara en la carcasa

1. Afloje los tornillos del soporte y, a continuación, deslice y levante el soporte. Consulte la siguiente ilustración.
2. Fije el soporte a la cámara. Alinee el pin y el tornillo de la cámara con el orificio y el receptáculo de tornillo que se encuentran en la cámara y apriete el tornillo de la cámara (par de torsión de 1 Nm). Asegúrese de no apretar el tornillo en exceso.



- 1 Soporte
- 2 Tornillo del soporte T20 (2x)
- 3 Pin
- 4 Tornillo de la cámara T20

- 3. En caso de conexión a la cámara de dispositivos externos/de entrada, dispositivos de audio o una fuente de alimentación externa, conéctelos de acuerdo con las instrucciones descritas en la Guía de instalación de la cámara.
- 4. Fije el soporte a la cubierta inferior. Ajuste con cuidado la posición del soporte y apriete los tornillos del soporte (par de torsión de 0,5 Nm).

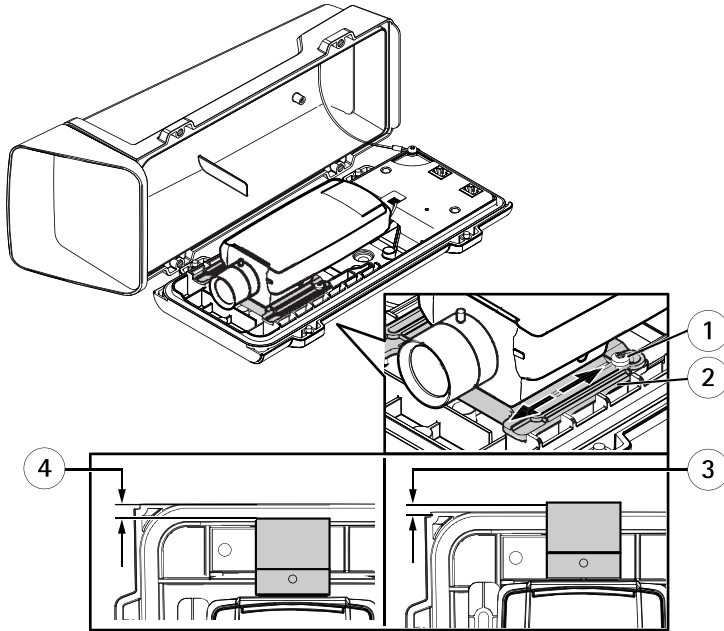


Imagen de ejemplo: Series AXIS T93F20 y AXIS P13

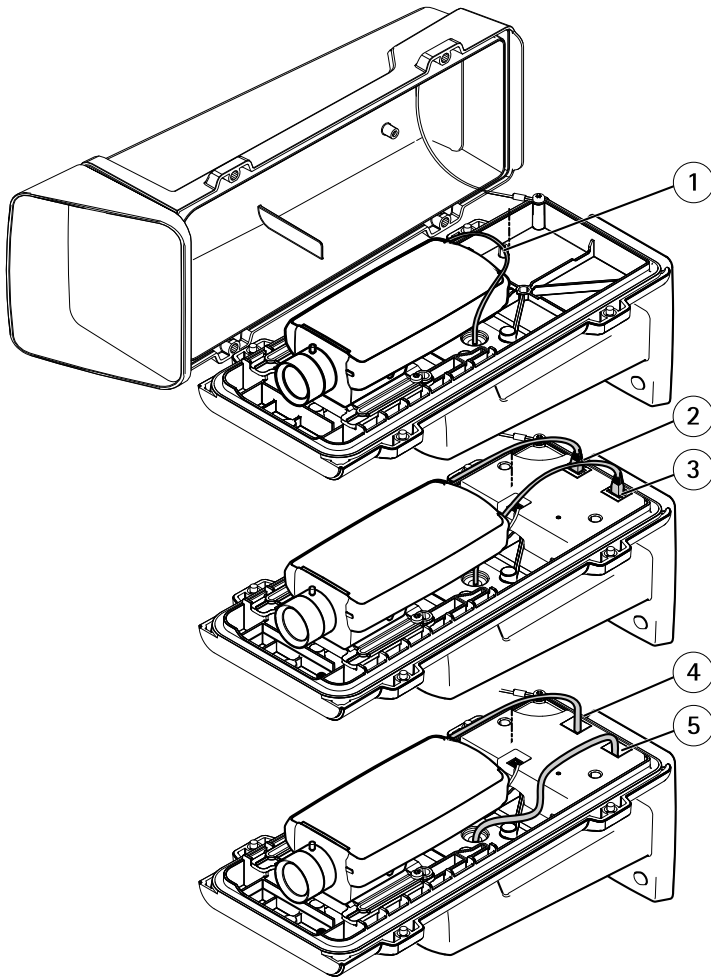
- 1 Tornillo del soporte T20 (2x)
- 2 Soporte
- 3 Posición A (superposición): +3,7 mm
- 4 Posición B (hueco): de -6 mm a -4 mm

AVISO

- Posición A: Para evitar reflejos en la imagen, ajuste la posición del soporte de modo que el borde del objetivo de la cámara esté superpuesto al borde de la cubierta inferior en una medida de +3,7 mm. Tenga en cuenta que esta posición anula la clasificación IK10.
 - Posición B: A fin de cumplir los requisitos de la clasificación IK10, ajuste la posición del soporte de modo que el hueco que quede entre el objetivo de la cámara y el borde de la cubierta inferior sea de entre -6 mm y -4 mm.
5. (AXIS T93F10, AXIS T93F20) Conecte el cable del calefactor al conector de este situado en la cubierta inferior.
 6. En caso de utilizar una tarjeta SD como unidad de almacenamiento local, inserte la tarjeta en la ranura para tarjetas SD de la cámara.
 7. Conecte los cables de red.

AXIS T93F Series

- (AXIS T93F05, AXIS T93F10) Conecte la cámara a la red.
 - (AXIS T93F20) Conecte la carcasa a la red (PoE IN) y la cámara a la carcasa (PoE OUT).
8. Conexión de los cables de alimentación (AXIS T93F10). Conecte la carcasa a la alimentación externa (POWER IN) y la cámara a la carcasa (POWER OUT).

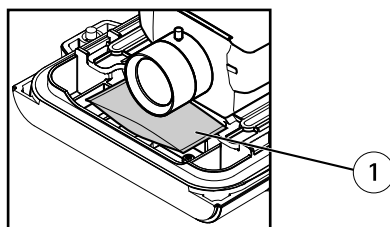


Imágenes de ejemplo: Series AXIS T93F05 (superior), AXIS T93F20 (central), AXIS T93F10 (inferior) y AXIS P13

- 1 Cable de red
- 2 Conector de red (PoE OUT)
- 3 Conector de red (PoE IN)
- 4 Conector de alimentación (POWER OUT)
- 5 Conector de alimentación (POWER IN)

AXIS T93F Series

9. (AXIS T93F20, AXIS T93F10) Asegúrese de que los indicadores LED de estado de la carcasa indican la condición correcta. Vea *Indicadores LED (AXIS T93F10, AXIS T93F20)* en la página 93.
10. Asegúrese de que los indicadores LED de la cámara indican las condiciones correctas. Vea la Guía de instalación de la cámara.
11. Afloje el tornillo de ajuste de la escuadra para orientar la cámara hacia el punto de interés. Para obtener información sobre cómo ver la transmisión de vídeo, consulte la Guía de instalación de la cámara o visite www.axis.com/techsup.
12. Retire el envoltorio de plástico de la bolsa desecante y colóquela debajo del objetivo.



1 Bolsa desecante

13. Cierre la carcasa. Asegúrese de apretar los tornillos de la cubierta inferior poco a poco, de forma alterna, hasta que estén bien apretados (par de torsión de 1,5 Nm). De este modo contribuirá a garantizar que la junta de la cubierta inferior se ha comprimido uniformemente.

AVISO

Asegúrese de no pillar ningún cable al cerrar la carcasa.

14. En caso de utilizar un parasol (se vende por separado), colóquelo sobre la cubierta superior, ajuste su posición y apriete los tornillos.

Más información

Visite el centro de aprendizaje de www.axis.com/academy para consultar guías, tutoriales, seminarios web y cursos que pueden resultarle útiles.

Información de la garantía

Para obtener más información acerca de la garantía del producto Axis e información relacionada, visite www.axis.com/warranty/

安全情報

本製品を設置する前に、このインストールガイドをよくお読みください。インストールガイドは、後で参照できるように保管しておいてください。

危険レベル

▲危険

回避しない場合、死亡または重傷につながる危険な状態を示します。

▲警告

回避しない場合、死亡または重傷につながるおそれのある危険な状態を示します。

▲注意

回避しない場合、軽傷または中程度の怪我につながるおそれのある危険な状態を示します。

注記

回避しない場合、器物の破損につながるおそれのある状態を示します。

その他のメッセージレベル

重要

製品を正しく機能させるために不可欠な重要情報を示します。

注意

製品を最大限に活用するために役立つ有用な情報を示します。

安全手順

注記

- 本製品は、お使いになる地域の法律や規制に準拠して使用してください。
- 本製品は乾燥した換気の良い環境に保管してください。
- 本製品に衝撃または強い圧力を加えないでください。
- 本製品を不安定なブラケット、表面、または壁に設置しないでください。
- 本製品を設置する際には、適切な工具のみを使用してください。過剰な力がかかると、製品が損傷することがあります。
- 化学薬品、腐食剤、噴霧式クリーナーは使用しないでください。
- 清掃には、きれいな水に浸した清潔な布を使用してください。
- 製品の技術仕様に準拠したアクセサリーのみを使用してください。これらのアクセサリーは、Axisまたはサードパーティから入手できます。
- Axisが提供または推奨する交換部品のみを使用してください。
- 製品を自分で修理しないでください。修理については、Axisサポートまたは販売代理店にお問い合わせください。

輸送

注記

- 本製品を運搬する際は、製品が損傷しないよう、元の梱包か同等の梱包を使用してください。

インストールガイド

このインストールガイドでは、AXIS T93F05プロテクティブハウジング、AXIS T93F10アウトドアハウジング、およびAXIS T93F20アウトドアハウジングを設置する手順について説明します。

カメラをネットワークにインストールする手順については、カメラに付属するインストールガイドを参照してください。カメラのその他の情報については、AXISのホームページ (www.axis.com) でユーザーズマニュアルを参照してください。

設置手順

1. パッケージの内容、ツールなど、設置に必要な物がそろっているかを確認します。107ページを参照してください。
2. 「ハードウェアの概要」をよく読みます。109ページを参照してください。
3. 「仕様」をよく読みます。113ページを参照してください。
4. ハードウェアの設置。115ページを参照してください。

パッケージの内容

- ハウジング
 - AXIS T93F05プロテクティブハウジング、
 - AXIS T93F10アウトドアハウジング (AC/DC)、または
 - AXIS T93F20アウトドアハウジング (PoE)
- AXIS T94Q01A壁面取付ブラケット (内部ケーブルチャンネル付き)
- スクリュービットT30
- AXISコネクタガードA
- AC/DC電源ケーブルを接続するための2ピンプラグコネクタ (AXIS T93F10)
- ケーブル
 - 電源ケーブル-カメラとハウジングの接続用 (AXIS T93F10)、または
 - ネットワークケーブル-カメラとハウジングの接続用 (AXIS T93F20)
- AXISケーブルガスカート M20
- 乾燥剤
- 印刷物
 - インストールガイド (本書)
 - AXIS T94Q01A壁面取付ブラケットのインストールガイド

推奨ツール

- ドリル – 壁面取付ブラケットの取り付けに使用
- トルクスドライバーT20 (互換性のあるすべてのカメラパッケージに同梱)

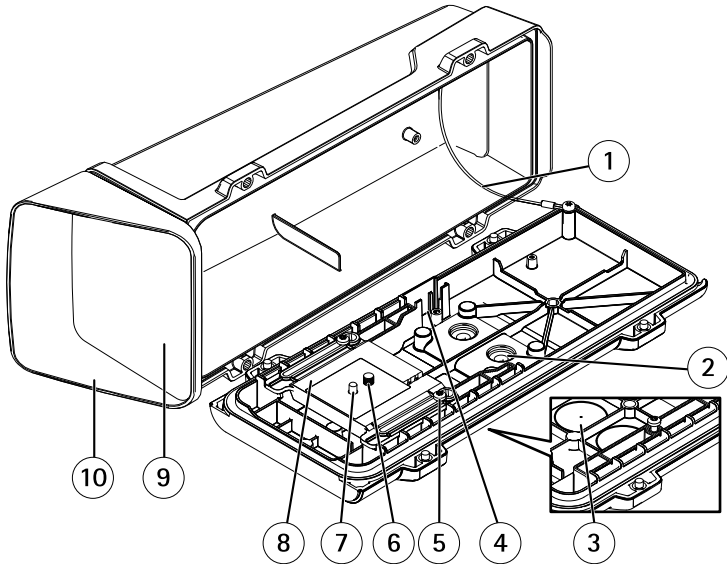
オプションアクセサリ

- AXISサンシールドA
- AXIS Corridor Format ブラケット A (AXIS T93F20)
- AXIS Corridor Format ブラケット B (AXIS T93F10)
- AXIS ドアスイッチA
- AXIS T94R01P コンジットバックボックス
- イルミネーター
- ハウジング取付金具
- ケーブルガスカートとケーブルグランド
- AXIS T98A16-VE監視キャビネット
- AXIS T91A47ポール取付金具
- VT天井ブラケット内部ケーブルWCM4A
- VTコーナー取付金具WCWA

利用可能なアクセサリについては、www.axis.comを参照してください。

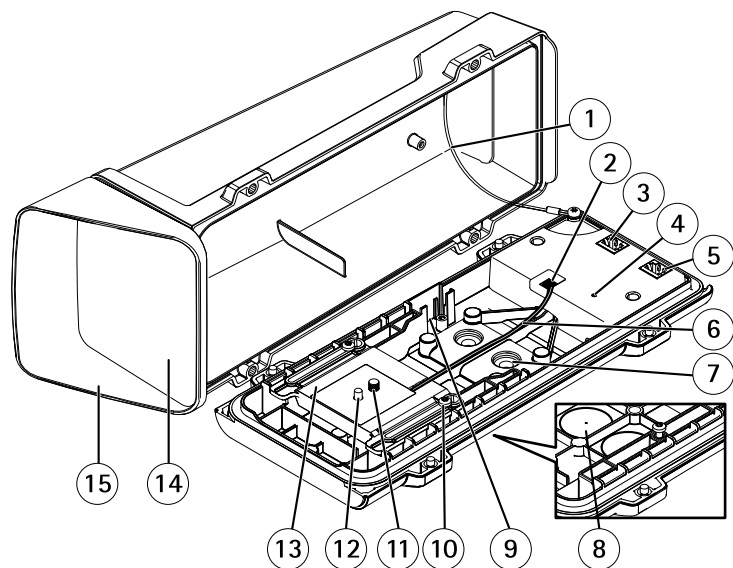
ハードウェアの概要

ハウジング



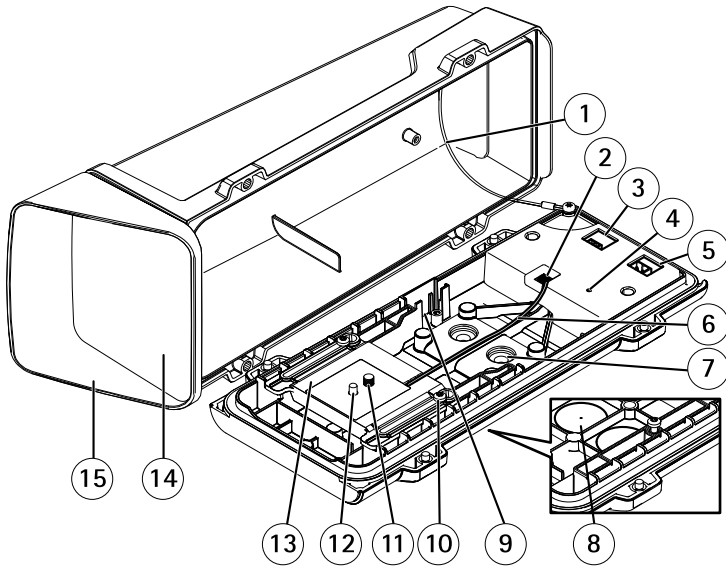
AXIS T93F05プロテクティブハウジング

- 1 安全ワイヤー
- 2 ケーブルガスケットM20 (x2)
- 3 ドリルアウト (x2)
- 4 侵入アラームスイッチ用スロット - AXISドアスイッチA (別売) をサ
ポート
- 5 ホルダーネジT20 (x2)
- 6 カメラネジT20
- 7 ピン
- 8 ホルダー
- 9 ウィンドウ
- 10 上蓋



AXIS T93F20アウト ドアハウジング

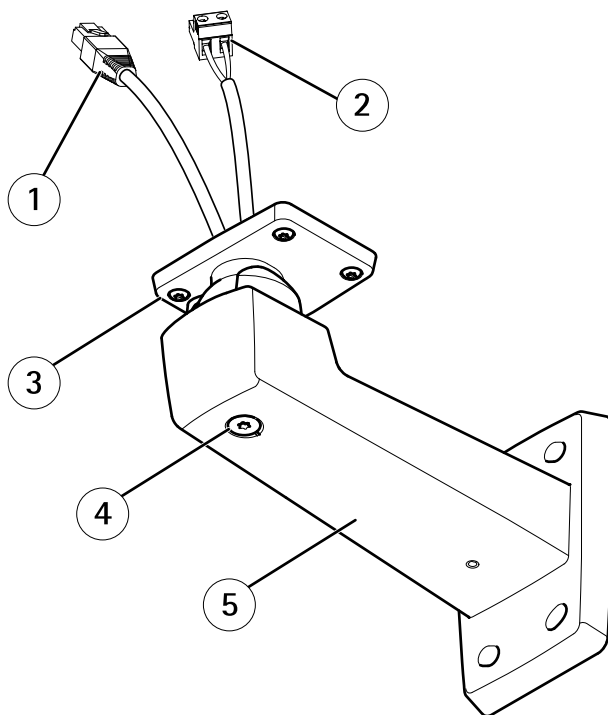
- 1 安全ワイヤー
- 2 ヒーターコネクタ
- 3 ネットワークコネクタ (PoE出力)
- 4 ステータスLEDインジケータ
- 5 ネットワークコネクタ (PoE入力)
- 6 ヒーターケーブル
- 7 ケーブルガスケットM20 (x2)
- 8 ドリルアウト (x2)
- 9 侵入アラームスイッチ用スロット - AXISドアスイッチA (別売) をサポート
- 10 ホルダーネジT20 (x2)
- 11 カメラネジT20
- 12 ピン
- 13 ホルダー
- 14 ウィンドウ
- 15 上蓋



AXIS T93F10アウトドアハウジング

- 1 安全ワイヤー
- 2 ヒーターコネクタ
- 3 電源コネクタ (電源出力)
- 4 ステータスLEDインジケータ
- 5 電源コネクタ (電源入力)
- 6 ヒーターケーブル
- 7 ケーブルガスカートM20 (x2)
- 8 ドリルアウト (x2)
- 9 侵入アラームスイッチ用スロット - AXISドアスイッチA (別売) をサポート
- 10 ホルダーネジT20 (x2)
- 11 カメラネジT20
- 12 ピン
- 13 ホルダー
- 14 ウィンドウ
- 15 上蓋

壁面取付ブラケット



- 1 ネットワークケーブル (壁面ブラケットに通す)
- 2 電源ケーブル (壁面ブラケットに通す) (AXIS T93F10)
- 3 ネジT20 (x4)
- 4 ブラケット調節ネジT30
- 5 壁面ブラケット

LEDインジケータ (AXIS T93F10、AXIS T93F20)

LED	色	説明
状態	緑	正常動作
	緑、1回点滅	ヒーターのエラー
	緑、2回点滅	セルフテスト
	緑、3回点滅	一般エラー

コネクタとボタン

仕様と動作条件については、113ページを参照してください。

ネットワークコネクタ (AXIS T93F20)

RJ45イーサネットコネクタ。PoE (Power over Ethernet) をサポート。

- PoE入力 - ハウジングに電力とイーサネット接続を提供。PoE対応のネットワークスイッチを介してネットワークに接続します。
- PoE出力 - カメラに電力とイーサネット接続を提供。ハウジングとカメラを接続します。

注記

本製品を使用する場所の地域条例、環境、電気的条件下によっては、シールドネットワークケーブル (STP) の使用が推奨または必須になります。本製品をネットワークに接続して屋外または電氣的に厳しい環境に配線する場合は、用途に合ったネットワークケーブルを使用してください。ネットワーク装置がメーカーの指示どおりに設置されていることを確認してください。法的要件については、*Regulatory Information on page 2*を参照してください。

ヒーターコネクタ (AXIS T93F10、AXIS T93F20)

ホルダーの内蔵ヒーターと温度センサーに電力を供給する4ピンターミナルブロック

電源コネクタ (AXIS T93F10)

AC/DC電源用ターミナルコネクタ。

- 電源入力 - ハウジングに電力を供給。外部AC/DC電源に接続します。コネクタの極性は独立しています。
- 電源出力 - カメラに電力を供給。ハウジングとカメラを接続します。

仕様

動作条件

本製品は屋内および屋外対応モデルです。

等級	
AXIS T93F05/AXIS T93F10/AXIS T93F20	IEC 60721-4-3クラス4M4 IEC 60529 IP66 NEMA 250タイプ4X

AXIS T93F Series

温度		
AXIS T93F05 ¹ /AXIS T93F10/AXIS T93F20		-40 °C～60 °C
AXIS T93F05 ¹	AXIS P13シリーズ	0 °C～45 °C
	AXIS Q1604/Q1614	0 °C～45 °C
	AXIS Q1615	0 °C～50 °C
AXIS T93F10 AXIS T93F20	AXIS P13シリーズ	-40 °C～45 °C
	AXIS Q1604/Q1614	-40 °C～45 °C
	AXIS Q1615/Q1635	-40 °C～50 °C

重要

(AXIS T93F10、AXIS T93F20) 気温が0 °C以下の場合、起動まで最大60分を要する場合があります。気温が低いほど、起動に時間がかかります。

湿度	
AXIS T93F05/AXIS T93F10/AXIS T93F20	15～100% RH (結露可)

保管条件

温度	
AXIS T93F05/AXIS T93F10/AXIS T93F20	-40 °C～75 °C

消費電力

製品	電源	電源出力 (カメラへ)
AXIS T93F05	n/a	n/a
AXIS T93F10	12～28 V DC、最大25 W 20～24 V AC、最大29 VA	12 V DC、最大1.5 A
AXIS T93F20	Power over Ethernet IEEE 802.3af/802.3at Type 1 Class 3、最大15.4 W	

ケーブルエリア

注記

- 指定のケーブルエリアに収まるケーブルを使用してください。
- 地域の規制に適合したケーブルを選択してください。
- すべてのケーブル孔が適切に密封されていることを確認してください。

直径	AWG
5～15 mm –	約4～6/0

ケーブル孔を追加する場合は、ホルダーの下にあるドリルアウトを開けてください。
109ページの、ハードウェアの概要を参照してください。

注記

ケーブル孔とケーブルエリアの両方に適合するケーブルガasketまたはケーブルグランドを使用してください。

他のケーブルエリアに対応するケーブルガasket、ケーブルグランドなどのアクセサリについては、www.axis.comを参照してください。

ハードウェアの設置

注記

- 本製品を使用する場所の地域条例、環境、電気的条件によっては、シールドネットワークケーブル (STP) の使用が推奨または必須になります。本製品をネットワークに接続して屋外または電氣的に厳しい環境に配線する場合は、用途に合ったネットワークケーブルを使用してください。ネットワーク装置がメーカーの指示どおりに設置されていることを確認します。

(AXIS T93F05) 法的要件については、カメラのインストールガイドを参照してください。

(AXIS T93F10、AXIS T93F20) 法的要件については、*Regulatory Information on page 2*を参照してください。

- 画質低下の原因になるため、ウィンドウに傷や指紋を付けたり、損傷しないように注意してください。

本製品は、ケーブルを壁に沿わせたり、壁の中を通して配線して、設置することができます。

製品を取り付ける前に、すべての説明に目を通してください。

1. 壁面取付ブラケットの取り付け。116ページを参照してください。詳しい取り付け手順については、壁面取付ブラケットに同梱のインストールガイド、またはwww.axis.comを参照してください。
- 2.ハウジングの壁面取付ブラケットへの取り付け。117ページを参照してください。
3. カメラのハウジングへの収納。119ページを参照してください。

壁面取付ブラケットの取り付け

▲注意

ネジやプラグ類が、壁の材質(木、金属、乾式壁、石)に適しているか確認してください。また、壁の材質が、カメラ、ハウジング、壁面取付ブラケットの合計重量を十分に支えられることを確認してください。

1. 壁面取付ブラケットを取り付ける壁面の準備を行います。壁面ブラケットを壁に合わせ、穴を開ける位置に印を付けます。
2. ネットワークケーブルを壁面ブラケットに通します。カメラとの接続用に30 cmほどケーブルを残します。
3. 電源ケーブル (AXIS T93F10) を壁面ブラケットに通します。カメラとの接続用に30 cmほどケーブルを残します。
4. I/O、音声、外部電源デバイスなどの補助デバイスをカメラに接続する場合、それぞれのデバイスについて同じ手順を繰り返します。
5. ネジを締め、壁面ブラケットを壁面に固定します。

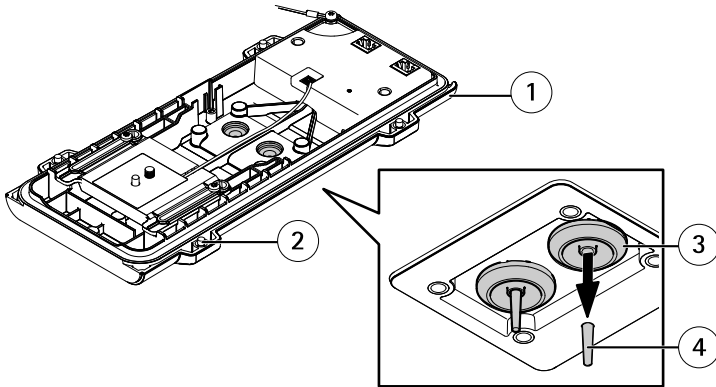
注意

- 詳しい取り付け手順については、壁面取付ブラケットに同梱のインストールガイド、およびwww.axis.comを参照してください。
- 技術仕様の詳細については、AXISのホームページ (www.axis.com) でカメラのユーザーズマニュアルを参照してください。

ハウジングの壁面取付ブラケットへの取り付け

注記

- 指定のケーブルエリアに収まるケーブルを使用してください。115ページを参照してください。付属のケーブルガasket以外は使用しないでください。浸水し、製品が破損するおそれがあります。他のケーブルエリアに対応するケーブルガasket、ケーブルグラウンドについては、www.axis.comを参照してください。
 - 複数のケーブルを使用する場合、各ケーブルをそれぞれ別のケーブルガasketに通す必要があります。
 - 使用するケーブルガasketのみ穴を開けます。ケーブルガasketが破損した場合には、新品のケーブルガasketに交換してください。ケーブルガasketに穴を開けたままにしたり、破損したケーブルガasketを使用したりすると、浸水し、製品が破損するおそれがあります。
1. 裏蓋ネジを緩め、上蓋を持ち上げます。
 2. 使用するケーブルガasketを選び、タブを引いてネットワークケーブル用の穴を開けます。



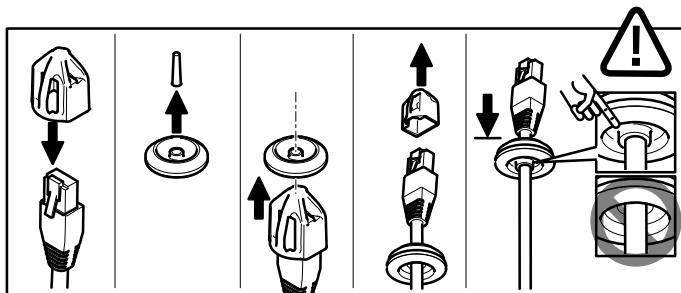
図例: AXIS T93F20

- 1 裏蓋
- 2 裏蓋ネジT20 (x4)
- 3 ケーブルガasket M20 (x2)
- 4 タブ

3. ネットワークケーブルをケーブルガasketに通します。

注記

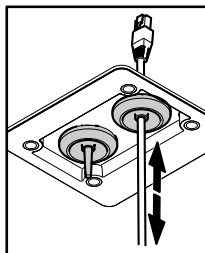
ネットワークケーブルにネットワークコネクタが付いている場合、ケーブルガasketを取り外し、コネクタガードを使用して、ケーブルガasketの破損を防止します。キャップ付きネットワークコネクタの付いたネットワークケーブルは使用しないでください。コネクタガードを使用してもケーブルガasketが破損するおそれがあります。



4. ネットワークケーブルを少し手前に引き、ケーブルガasketをケーブルにぴったりと合わせます。

注記

ケーブルを引いて手前に戻さないと、浸水して製品が損傷するおそれがあります。

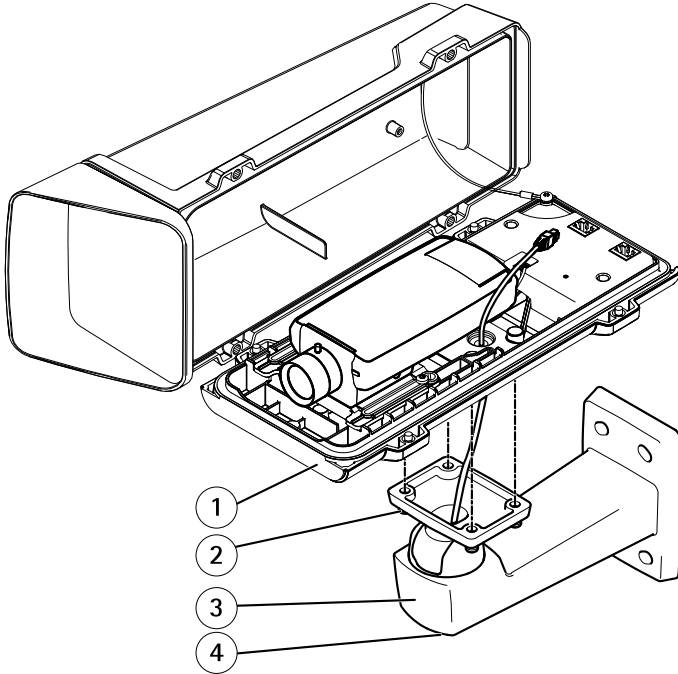


5. ケーブルガasketが正しく取り付けられていることを確認します。
6. 他の電源ケーブル用ケーブルガasketを使用します (AXIS T93F10)。上記の手順を繰り返します。

注記

電源ケーブルをケーブルガasketに通した後に電源コネクタを取り付けます。

7. I/O、音声、外部電源デバイスなどの補助デバイスをカメラに接続する場合、それぞれのデバイスについて同じ手順を繰り返します。
8. 裏蓋を壁面取付ブラケットに取り付け、ネジを締めます (トルク2 Nm)。

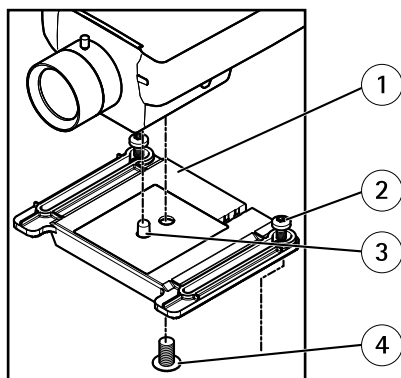


図例: AXIS T93F20とAXIS P13シリーズ

- 1 裏蓋
- 2 ネジT20 (x4)
- 3 壁面ブラケット
- 4 ブラケット調節ネジT30

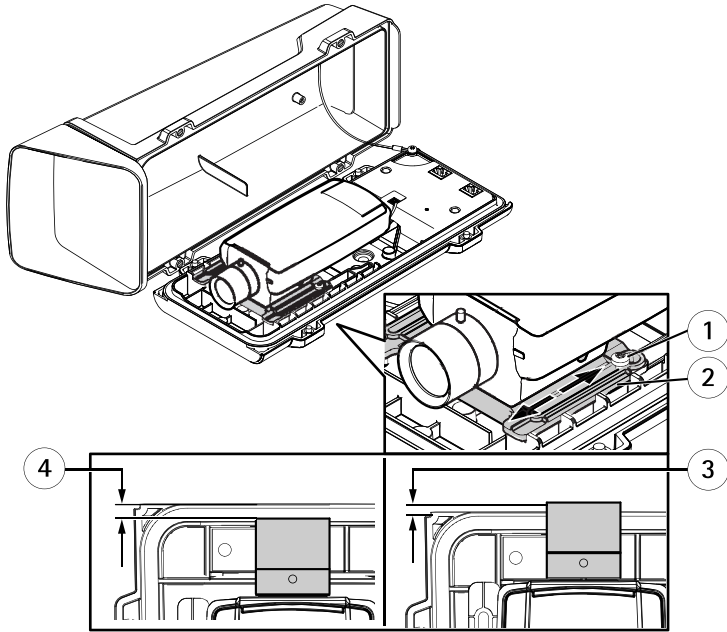
カメラのハウジングへの収納

1. ホルダーネジを緩め、ホルダーをスライドさせて持ち上げます。次の図を参照してください。
2. カメラにホルダーを取り付けます。ピンとカメラ固定ネジをピン穴とスクリューマウントに合わせ、カメラネジを締めます (トルク1 Nm)。ネジを締めすぎないように注意してください。



- 1 ホルダー
- 2 ホルダーネジT20 (x2)
- 3 ピン
- 4 カメラネジT20

3. 外部/入力デバイス、音声デバイス、外部電源をカメラに接続する場合は、カメラのインストールガイドに記載された手順に従って接続してください。
4. 裏蓋にホルダーを取り付けます。ホルダーの位置を慎重に調整し、ホルダーネジを締めます (トルク0.5 Nm)。



図例: AXIS T93F20とAXIS P13シリーズ

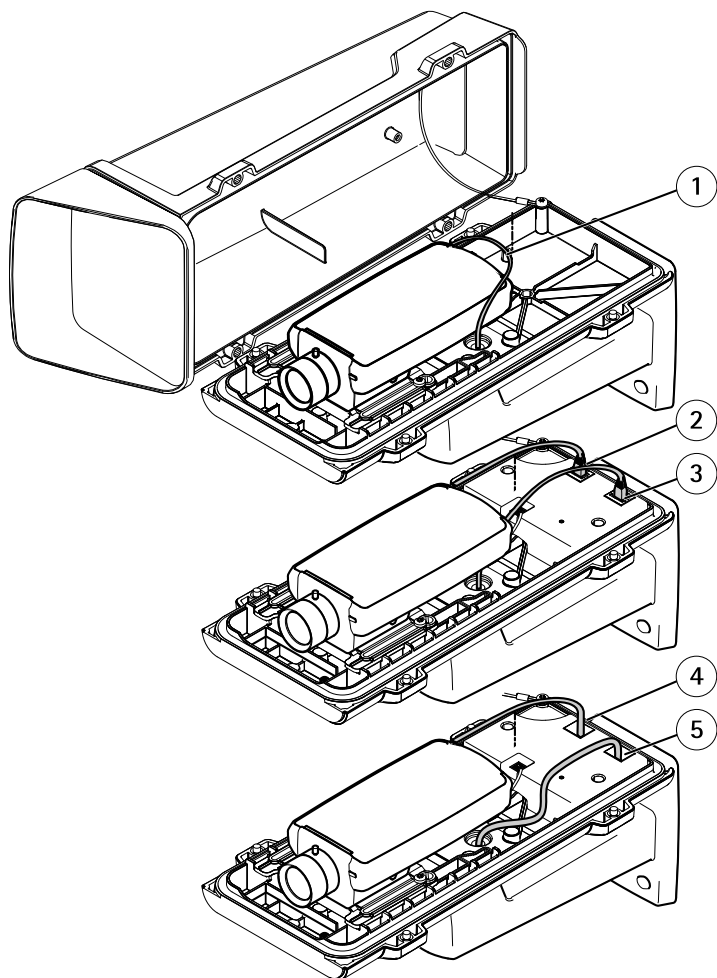
- 1 ホルダーネジT20 (x2)
- 2 ホルダー
- 3 位置A (オーバーラップ): +3.7 mm
- 4 位置B (ギャップ): -6 mm ~ -4 mm

注記

- 位置A: 画像に反射光が入り込むのを防ぐには、カメラのレンズの縁が裏蓋と+3.7 mm重なるようにホルダーの位置を調整します。この位置に設定すると、IK10に準拠しなくなることに注意してください。
 - 位置B: IK10準拠の要件を満たすには、カメラのレンズと裏蓋の縁のギャップが-6 ~ -4 mmになるようにホルダーの位置を調整します。
5. (AXIS T93F10、AXIS T93F20) 裏蓋のヒーターコネクタにヒーターケーブルを接続します。
 6. SDカードをローカルストレージとして使用する場合は、カメラのSDカードスロットにSDカードを挿入します。
 7. ネットワークケーブルを接続します。
 - (AXIS T93F05、AXIS T93F10) カメラをネットワークに接続します。

AXIS T93F Series

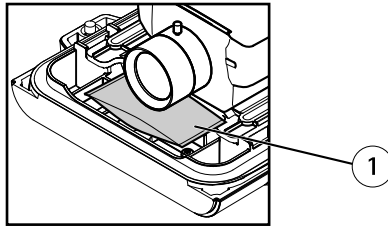
- (AXIS T93F20)ハウジングをネットワーク (PoE入力) に接続し、カメラをハウジング (PoE出力) に接続します。
8. 電源ケーブルを接続します (AXIS T93F10)。ハウジングを外部電源 (電源入力) に接続し、カメラをハウジング (電源出力) に接続します。



図例: AXIS T93F05 (上)、AXIS T93F20 (中)、AXIS T93F10 (下)、およびAXIS P13シリーズ

- 1 ネットワークケーブル
- 2 ネットワークコネクタ (PoE出力)

- 3 ネットワークコネクタ (PoE入力)
 - 4 電源コネクタ (電源出力)
 - 5 電源コネクタ (電源入力)
9. (AXIS T93F20、AXIS T93F10) ハウジングのステータスLEDが正しい状態を示しているかを確認します。112ページの、LEDインジケーター (AXIS T93F10、AXIS T93F20)を参照してください。
 10. カメラのLEDが正しい状態を示しているかを確認します。カメラのインストールガイドを参照してください。
 11. ブラケット調整ネジを緩め、カメラを撮影方向に向けます。ビデオストリームを表示する方法については、カメラのインストールガイドまたは www.axis.com/techsupを参照してください。
 12. 乾燥剤のビニール包装を取り外し、レンズの下に乾燥剤を置きます。



1 乾燥剤

13. ハウジングを閉じます。裏蓋ネジを数回ずつ回し、すべてのネジが締まるまでこれを繰り返します (トルク1.5 Nm)。これにより、裏蓋のガスケットに均等に力が掛かります。

注記

ハウジングを閉じるときに、ケーブルを挟まないよう注意してください。

14. サンシールド (別売) を使用する場合は、上蓋にサンシールドをかぶせ、位置を調整し、ネジを締めて固定します。

関連情報

Axisラーニングセンター (www.axis.com/academy) にアクセスしてください。役に立つトレーニング、ウェブセミナー、チュートリアル、ガイドをご用意しています。

保証

Axisの製品保証と関連情報については、www.axis.com/warrantyをご覧ください。

Installation Guide

AXIS T93F Series

© Axis Communications AB, 2014 - 2015

Ver. M2.2

Date: January 2015

Part No. 60420