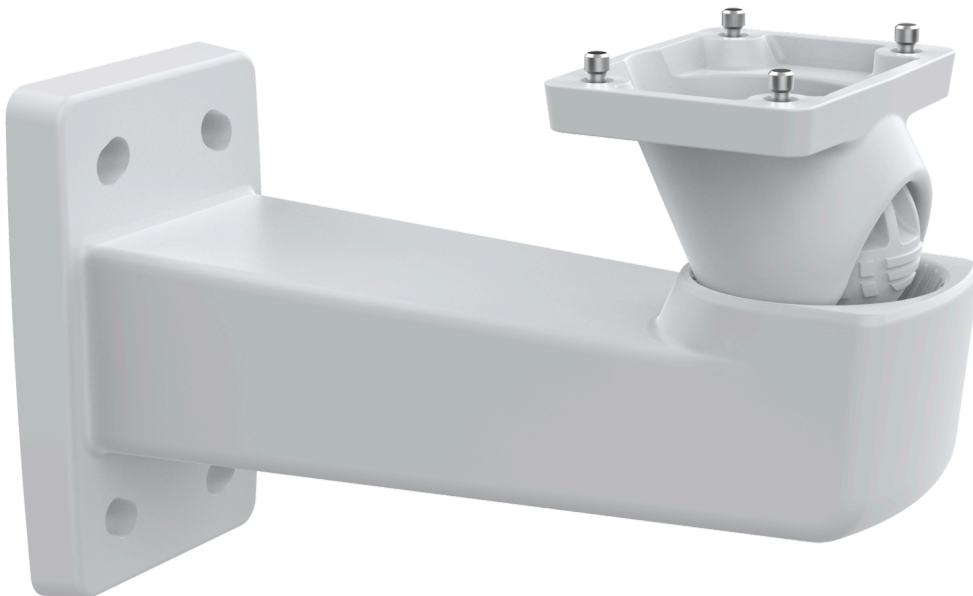


AXIS TQ1003-E Wall Mount

For outdoor fixed box cameras and housings

Highly robust and rotatable wall mount, made of aluminum, and compatible with all Axis outdoor fixed box cameras and housings. Corrosion tested according to NEMA 4X, UL listed and IK10 rated. When used together with AXIS T94R01P Conduit Back Box, the Ethernet cable can be routed through cable protection pipes/conduits along the wall (from the left or right).

- > **Highly robust wall mount**
- > **Rotatable**
- > **Flexible cable routing**
- > **IK10 Rated**
- > **Aluminium**



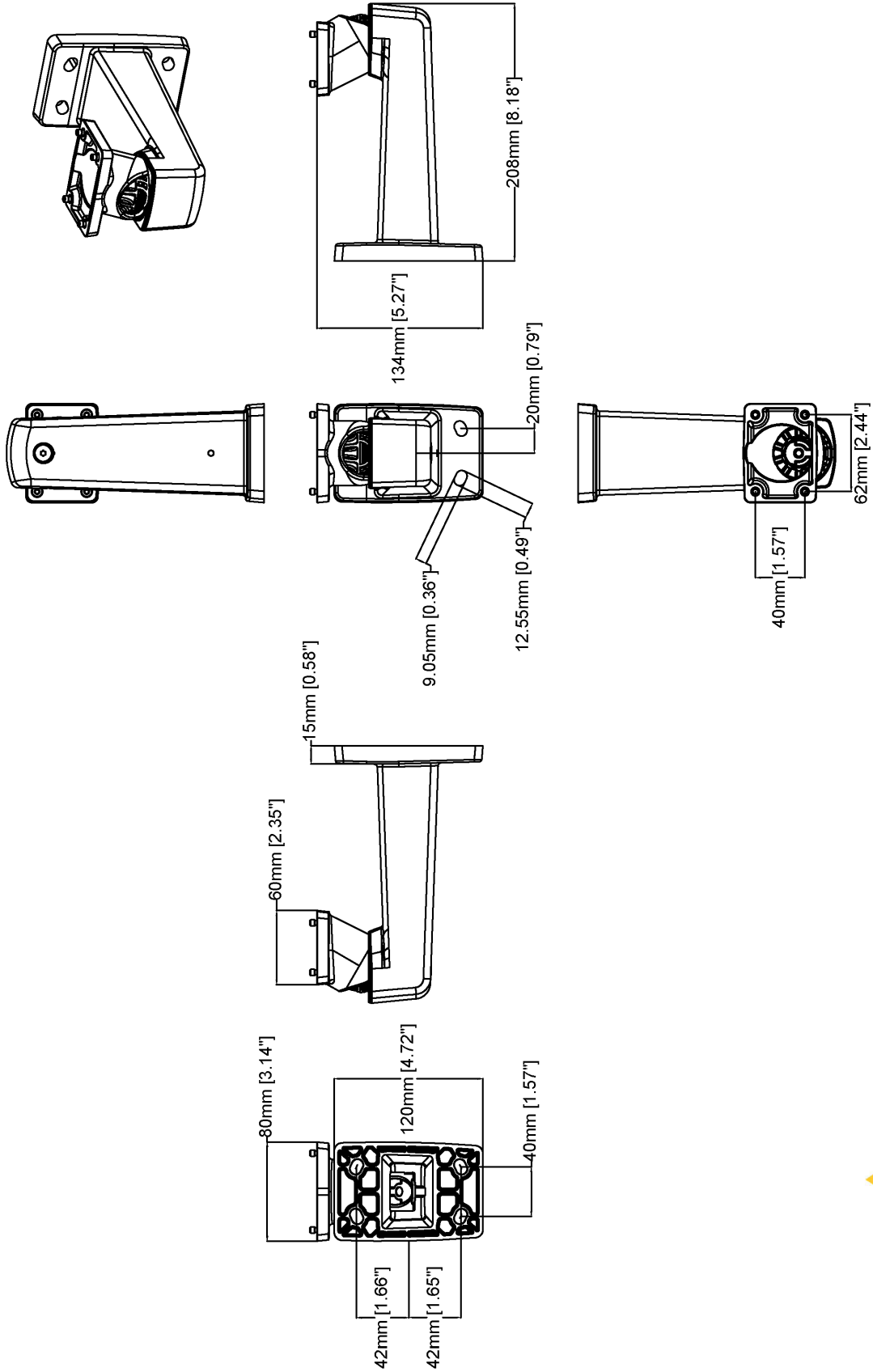
AXIS TQ1003-E Wall Mount

General

Compatible products	For a list of compatible products, see axis.com/products/axis-tq1003-e-wall-mount#compatible-products
Maximum load	7 kg (15.4 lb)
Angle	Pan: $\pm 100^\circ$ Tilt: +10 to -65° Rotation: $\pm 5^\circ$
Environment	Indoor and outdoor
Cable routing	Internal
Material	Powder coated, chromate aluminum Color: white NCS S 1002-B

Sustainability	PVC free
Approvals	Environment IEC/EN 60529 IP66/67, IEC/EN 62262 IK10, NEMA 250 Type 4X
Dimensions	For the overall product dimensions, see the dimension drawing in this datasheet. Effective Projected Area (EPA): 0.011 m ² (0.118 ft ²)
Weight	695 g (1.5 lb)
Box content	Wall mount, installation guide
Required accessories	TORX® T30 bit
Warranty	3-year warranty, see axis.com/warranty

Dimension drawing



Revision	v.02	Revision date	2022-12-01
Paper size	A4	Release date	2022-12-01
Created by	MS	Scale	1:4

© 2022 Axis Communications

AXIS COMMUNICATIONS

www.axis.com

AXIS TQ1003-E Wall Mount

AXIS COMMUNICATIONS