

ENGLISH

FRANÇAIS

DEUTSCH

ITALIANO

ESPAÑOL

日本語

# AXIS Q1604 Network Camera

## Installation Guide

## Legal Considerations

Video and audio surveillance can be regulated by laws that vary from country to country. Check the laws in your local region before using this product for surveillance purposes.

This product includes one (1) H.264 decoder license and one (1) AAC decoder license. To purchase further licenses, contact your reseller.

## Liability

Every care has been taken in the preparation of this document. Please inform your local Axis office of any inaccuracies or omissions. Axis Communications AB cannot be held responsible for any technical or typographical errors and reserves the right to make changes to the product and manuals without prior notice. Axis Communications AB makes no warranty of any kind with regard to the material contained within this document, including, but not limited to, the implied warranties of merchantability and fitness for a particular purpose. Axis Communications AB shall not be liable nor responsible for incidental or consequential damages in connection with the furnishing, performance or use of this material. This product is only to be used for its intended purpose.

## Intellectual Property Rights

Axis AB has intellectual property rights relating to technology embodied in the product described in this document. In particular, and without limitation, these intellectual property rights may include one or more of the patents listed at [www.axis.com/patent.htm](http://www.axis.com/patent.htm) and one or more additional patents or pending patent applications in the US and other countries.

This product contains licensed third-party software. See the menu item "About" in the product's user interface for more information.

This product contains source code copyright Apple Computer, Inc., under the terms of Apple Public Source License 2.0 (see [www.opensource.apple.com/aps/](http://www.opensource.apple.com/aps/)). The source code is available from <https://developer.apple.com/bonjour/>

## Equipment Modifications

This equipment must be installed and used in strict accordance with the instructions given in the user documentation. This equipment contains no user-serviceable components. Unauthorized equipment changes or modifications will invalidate all applicable regulatory certifications and approvals.

## Trademark Acknowledgments

AXIS COMMUNICATIONS, AXIS, ETRAX, ARTPEC and VAPIX are registered trademarks or trademark applications of Axis AB in various jurisdictions. All other company names and products are trademarks or registered trademarks of their respective companies.

Apple, Boa, Apache, Bonjour, Ethernet, Internet Explorer, Linux, Microsoft, Mozilla, Real, SMPTE, QuickTime, UNIX, Windows, Windows Vista and WWW are registered trademarks of the respective holders. Java and all Java-based trademarks and logos are trademarks or registered trademarks of Oracle and/or its affiliates. UPnP™ is a certification mark of the UPnP™ Implementers Corporation.

SD, SDHC and SDXC are trademarks or registered trademarks of SD-3C, LLC in the United States, other countries or both. Also, miniSD, microSD, miniSDHC, microSDHC, microSDXC are all trademarks or registered trademarks of SD-3C, LLC in the United States, other countries or both.

## Regulatory Information

### Europe

**CE** This product complies with the applicable CE marking directives and harmonized standards:

- Electromagnetic Compatibility (EMC) Directive 2004/108/EC. See *Electromagnetic Compatibility (EMC) on page 2.*
- Low Voltage (LVD) Directive 2006/95/EC. See *Safety on page 3.*
- Restrictions of Hazardous Substances (RoHS) Directive 2011/65/EU. See *Disposal and Recycling on page 3.*

A copy of the original declaration of conformity may be obtained from Axis Communications AB. See *Contact Information on page 3.*

### Electromagnetic Compatibility (EMC)

This equipment has been designed and tested to fulfill applicable standards for:

- Radio frequency emission when installed according to the instructions and used in its intended environment.
- Immunity to electrical and electromagnetic phenomena when installed according to the instructions and used in its intended environment.

### USA

This equipment has been tested using a shielded network cable (STP) and found to comply with the limits for a Class B digital device, pursuant to part 15 of the FCC Rules. These limits are designed to provide reasonable protection against harmful interference in a residential installation. This equipment generates, uses and can radiate radio frequency energy and, if not installed and used in accordance with the instructions, may cause harmful interference to radio communications. However, there is no guarantee that interference will not occur in a particular installation. If this equipment does cause harmful interference to radio or television reception, which can be determined by turning the equipment off and on, the user is encouraged to try to correct the interference by one or more of the following measures:

- Reorient or relocate the receiving antenna.
- Increase the separation between the equipment and receiver.
- Connect the equipment into an outlet on a circuit different from that to which the receiver is connected.
- Consult the dealer or an experienced radio/TV technician for help.

The product shall be connected using a shielded network cable (STP) that is properly grounded.

### Canada

This digital apparatus complies with CAN ICES-3 (Class B). The product shall be connected using a shielded network cable (STP) that is properly grounded. Cet appareil numérique est conforme à la norme CAN NMB-3 (classe B). Le produit doit être connecté à l'aide d'un câble réseau blindé (STP) qui est correctement mis à la terre.

### Europe

This digital equipment fulfills the requirements for RF emission according to the Class B limit of EN 55022. The product shall be connected using a shielded network cable (STP) that is properly grounded.

This product fulfills the requirements for immunity according to EN 61000-6-1 residential, commercial and light-industrial environments.

This product fulfills the requirements for immunity according to EN 61000-6-2 industrial environments.

This product fulfills the requirements for immunity according to EN 55024 office and commercial environments

#### Australia/New Zealand

This digital equipment fulfills the requirements for RF emission according to the Class B limit of AS/NZS CISPR 22. The product shall be connected using a shielded network cable (STP) that is properly grounded.

#### Japan

この装置は、クラスB情報技術装置です。この装置は、家庭環境で使用することを目的としていますが、この装置がラジオやテレビジョン受信機に近接して使用されると、受信障害を引き起こすことがあります。取扱説明書に従って正しい取り扱いをして下さい。本製品は、シールドネットワークケーブル(STP)を使用して接続してください。また適切に接地してください。

#### Korea

이 기기는 가정용(B급) 전자파적합기기로서 주로 가정에서 사용하는 것을 목적으로 하며, 모든 지역에서 사용할 수 있습니다. 적절히 접지된 STP (shielded twisted pair) 케이블을 사용하여 제품을 연결 하십시오.

#### Safety

This product complies with IEC/EN/UL 60950-1, Safety of Information Technology Equipment. If its connecting cables are routed outdoors, the product shall be grounded either through a shielded network cable (STP) or other appropriate method.

The power supply used with this product shall fulfill the requirements for Safety Extra Low Voltage (SELV) and Limited Power Source (LPS) according to IEC/EN/UL 60950-1.

#### Disposal and Recycling

When this product has reached the end of its useful life, dispose of it according to local laws and regulations. For information about your nearest designated collection point, contact your local authority responsible for waste disposal. In accordance with local legislation, penalties may be applicable for incorrect disposal of this waste.

#### Europe



■ This symbol means that the product shall not be disposed of together with household or commercial waste. Directive 2012/19/EU on waste electrical and electronic equipment (WEEE) is applicable in the European Union member states. To prevent potential harm to human health and the environment, the product must be disposed of in an approved and environmentally safe recycling process. For information about your nearest designated collection point, contact your local authority responsible for waste disposal. Businesses should contact the product supplier for information about how to dispose of this product correctly.

This product complies with the requirements of Directive 2011/65/EU on the restriction of the use of certain hazardous substances in electrical and electronic equipment (RoHS).

#### China



This product complies with the requirements of the legislative act Administration on the Control of Pollution Caused by Electronic Information Products (ACPEIP).

#### Contact Information

Axis Communications AB  
Emdalavägen 14

223 69 Lund  
Sweden

Tel: +46 46 272 18 00

Fax: +46 46 13 61 30

[www.axis.com](http://www.axis.com)

#### Support

Should you require any technical assistance, please contact your Axis reseller. If your questions cannot be answered immediately, your reseller will forward your queries through the appropriate channels to ensure a rapid response. If you are connected to the Internet, you can:

- download user documentation and software updates
- find answers to resolved problems in the FAQ database. Search by product, category, or phrase
- report problems to Axis support staff by logging in to your private support area
- chat with Axis support staff
- visit Axis Support at [www.axis.com/techsup/](http://www.axis.com/techsup/)

#### Learn More!

Visit Axis learning center [www.axis.com/academy/](http://www.axis.com/academy/) for useful trainings, webinars, tutorials and guides.



## Safety Information

Read through this Installation Guide carefully before installing the product. Keep the Installation Guide for future reference.

### Hazard Levels

#### **▲DANGER**

Indicates a hazardous situation which, if not avoided, will result in death or serious injury.

#### **▲WARNING**

Indicates a hazardous situation which, if not avoided, could result in death or serious injury.

#### **▲CAUTION**

Indicates a hazardous situation which, if not avoided, could result in minor or moderate injury.

#### **NOTICE**

Indicates a situation which, if not avoided, could result in damage to property.

### Other Message Levels

#### **Important**

Indicates significant information which is essential for the product to function correctly.

#### **Note**

Indicates useful information which helps in getting the most out of the product.

## Safety Instructions

### **NOTICE**

- The Axis product shall be used in compliance with local laws and regulations.
- To use the Axis product outdoors, or in similar environments, it shall be installed in an approved outdoor housing.
- Store the Axis product in a dry and ventilated environment.
- Avoid exposing the Axis product to shocks or heavy pressure.
- Do not install the product on unstable brackets, surfaces or walls.
- Use only applicable tools when installing the Axis product. Using excessive force with power tools could cause damage to the product.
- Do not use chemicals, caustic agents, or aerosol cleaners.
- Use a clean cloth dampened with pure water for cleaning.
- Use only accessories that comply with technical specification of the product. These can be provided by Axis or a third party.
- Use only spare parts provided by or recommended by Axis.
- Do not attempt to repair the product by yourself. Contact Axis support or your Axis reseller for service matters.
- The power supply shall be plugged in to a socket outlet installed near the product and shall be easily accessible.

## Transportation

### **NOTICE**

- When transporting the Axis product, use the original packaging or equivalent to prevent damage to the product.

## Battery

Low battery power affects the operation of the RTC, causing it to reset at every power-up. When the battery needs replacing, a log message will appear in the product's server report. For more information about the server report, see the product's setup pages or contact Axis support.

The battery should not be replaced unless required, but if the battery does need replacing, contact Axis support at [www.axis.com/techsup](http://www.axis.com/techsup) for assistance.

## **⚠WARNING**

- Risk of explosion if the battery is incorrectly replaced.
- Replace only with an identical battery or a battery which is recommended by Axis.
- Dispose of used batteries according to local regulations or the battery manufacturer's instructions.





## Installation Guide

This Installation Guide provides instructions for installing AXIS Q1604 Network Camera on your network. For other aspects of using the product, see the User Manual available at [www.axis.com](http://www.axis.com)

## Installation Steps

1. Make sure the package contents, tools and other materials necessary for the installation are in order. See *page 9*.
2. Study the hardware overview. See *page 10*.
3. Study the specifications. See *page 14*.
4. Install the hardware. See *page 16*.
5. Access the product. See *page 18*.
6. Set the focus. See *page 17*.

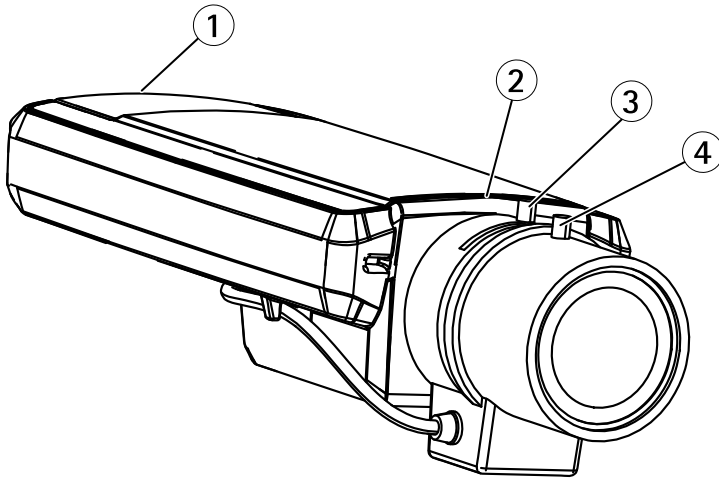
## Package Contents

- AXIS Q1604 Network Camera
- Camera stand
- Power block connector: 2-pin connector block for power input
- Terminal block connector: 4-pin connector block for connecting external devices to the I/O terminal connector
- Printed materials
  - Installation Guide (this document)
  - Extra serial number label (2x)
  - AVHS Authentication key

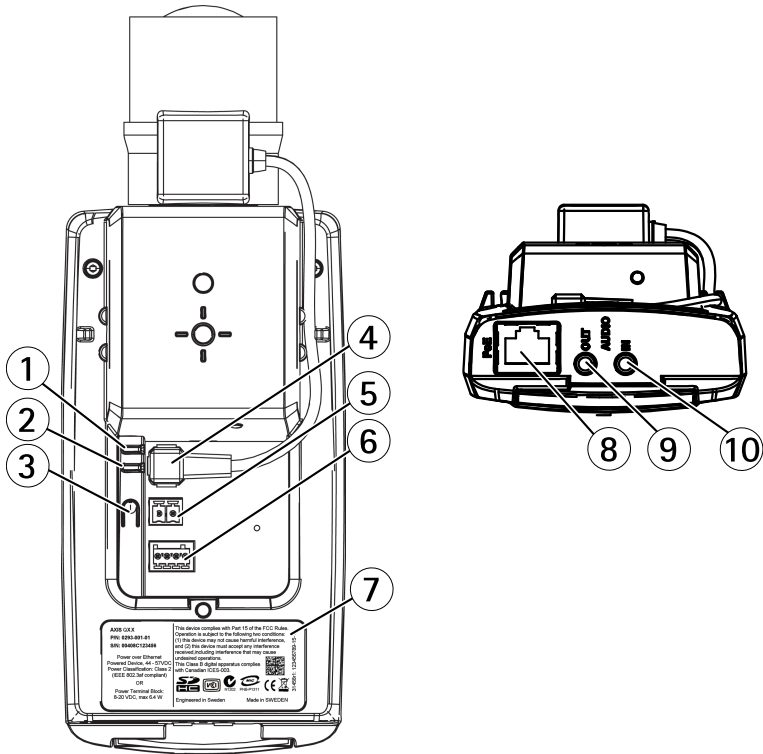
# AXIS Q1604 Network Camera

---

## Hardware Overview



- 1 *SD card slot*
- 2 *Status LED*
- 3 *Zoom puller*
- 4 *Focus puller*



- 1 Power LED
- 2 Network LED
- 3 Control button
- 4 Iris connector
- 5 Power connector\*
- 6 I/O terminal connector
- 7 Product number (P/N) & Serial number (S/N)
- 8 Network connector
- 9 Audio out
- 10 Audio in

\* Not used for outdoor variants.

# AXIS Q1604 Network Camera

## LED Indicators

### Note

- The Status LED can be configured to be unlit during normal operation. To configure, go to **Setup > System Options > Ports & Devices > LED**. See the online help for more information.
- The Status LED can be configured to flash while an event is active.
- The Status LED can be configured to flash for identifying the unit. Go to **Setup > System Options > Maintenance** .

Status LED	Indication
Green	Steady green for normal operation.
Amber	Steady during startup and when restoring settings.
Red	Flashes red for firmware upgrade failure.

Network LED	Indication
Green	Steady for connection to a 100 Mbit/s network. Flashes for network activity.
Amber	Steady for connection to a 10 Mbit/s network. Flashes for network activity.
Unlit	No network connection.

Power LED	Indication
Green	Normal operation.
Amber	Flashes green/amber during firmware upgrade.

## Status LED Behavior for Focus Assistant

Color	Indication
Green	Focus Assistant is enabled The lens is optimally adjusted
Amber	The camera has been moved, or an object has been placed in front of the lens. Exit and restart the Focus Assistant. The lens is less optimally adjusted.
Red	The camera has been moved, or an object has been placed in front of the lens. Exit and restart the Focus Assistant. The lens is poorly adjusted.

## Connectors and Buttons

For specifications and operating conditions, see *page 14*.

### Network Connector

RJ45 Ethernet connector with Power over Ethernet (PoE).

#### **NOTICE**

The product shall be connected using a shielded network cable (STP). All cables connecting the product to the network shall be intended for their specific use. Make sure that the network devices are installed in accordance with the manufacturer's instructions. For information about regulatory requirements, see *Electromagnetic Compatibility (EMC) on page 2*.

### I/O Connector

Use with external devices in combination with, for example, tampering alarms, motion detection, event triggering, time lapse recording and alarm notifications. In addition to the 0 V DC reference point and power (DC output), the I/O connector provides the interface to:

- **Digital output** – For connecting external devices such as relays and LEDs. Connected devices can be activated by the VAPIX® Application Programming Interface, output buttons on the Live View page or by an Action Rule. The output will show as active (shown under **System Options > Ports & Devices**) if the alarm device is activated.
- **Digital input** – An alarm input for connecting devices that can toggle between an open and closed circuit, for example: PIRs, door/window contacts, glass break detectors, etc. When a signal is received the state changes and the input becomes active (shown under **System Options > Ports & Devices**).

### Audio Connector

The Axis product has the following audio connectors:

- **Audio in (pink)** – 3.5 mm input for a mono microphone, or a line-in mono signal.
- **Audio out (green)** – 3.5 mm output for audio (line level) that can be connected to a public address (PA) system or an active speaker with a built-in amplifier. A stereo connector must be used for audio out.

For audio in, the left channel is used from a stereo signal.

# AXIS Q1604 Network Camera

---

## SD Card Slot

### NOTICE

- Risk of damage to SD card. Do not use sharp tools or excessive force when inserting or removing the SD card.
- Risk of data loss. To prevent data corruption, the SD card should be unmounted before removal. To unmount, go to **Setup > System Options > Storage > SD Card** and click **Unmount**.

This product supports SD/SDHC/SDXC cards (not included).

For SD card recommendations, see [www.axis.com](http://www.axis.com)

## Control Button

For location of the control button, see *Hardware Overview on page 10*.

The control button is used for:

- Enabling the Focus Assistant. Press and very quickly release the Control button
- Resetting the product to factory default settings. See *page 19*.
- Connecting to an AXIS Video Hosting System service or AXIS Internet Dynamic DNS Service. For more information about these services, see the User Manual.

## Specifications

Product	Temperature	Humidity
AXIS Q1604	0 °C to 50 °C (32 °F to 122 °F)	10–85% RH (non-condensing)

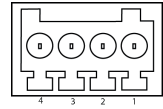
## Power Consumption

Product	PoE	DC
AXIS Q1604	Power over Ethernet IEEE 802.3af/802.3at Type 1 Class 3, max. 6.9 W	8–20 V DC

## Connectors

### I/O Connector

4-pin terminal block

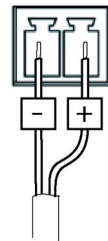


For an example diagram, see *Connection Diagrams* on page 16.

Function	Pin	Notes	Specifications
0 V DC (-)	1		
DC output	2	Can be used to power auxiliary equipment. Note: This pin can only be used as power out.	3.3 V DC Max load = 50 mA
Digital Input	3	Connect to pin 1 to activate, or leave floating (unconnected) to deactivate.	0 to max 40 V DC
Digital Output	4	Connected to pin 1 when activated, floating (unconnected) when deactivated. If used with an inductive load, e.g. a relay, a diode must be connected in parallel with the load, for protection against voltage transients.	0 to max 40 V DC, open drain, 100 mA

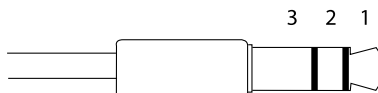
### Power Connector

2-pin terminal block for DC power input. Use a Safety Extra Low Voltage (SELV) compliant limited power source (LPS) with either a rated output power limited to  $\leq 100$  W or a rated output current limited to  $\leq 5$  A.



### Audio Connector

3.5 mm audio connectors (stereo)

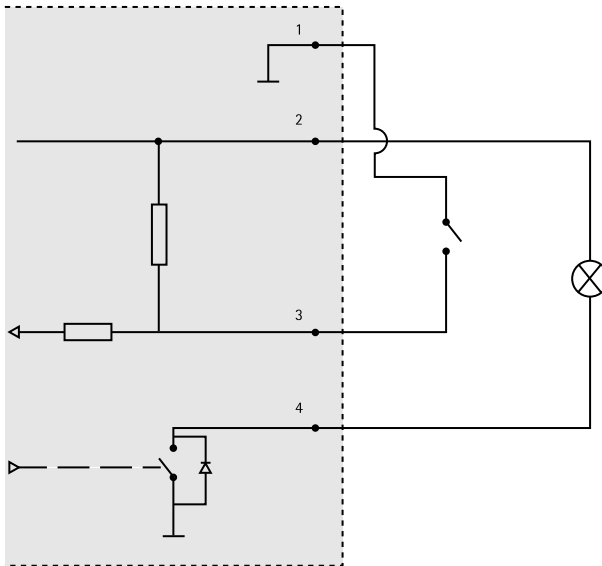


# AXIS Q1604 Network Camera

	1 Tip	2 Ring	3 Sleeve
Audio Input	Microphone/Line in		Ground
Audio Output	Line out (mono)		Ground

## Connection Diagrams

### I/O Connector



- 1 0 V DC (-)
- 2 DC output 3.3 V, max 50 mA
- 3 Digital input 0 to max 40 V DC
- 4 Digital output 0 to max 40 V DC, open drain, 100 mA

## Install the Hardware

### Connect the Cables

1. Connect external input/output devices if required, such as alarm devices. For information about the terminal connector pins, see [page 15](#).
2. Connect an active speaker and/or external microphone if required.



3. Connect the camera to the network using a shielded network cable.
4. Connect power, using one of the methods listed below:
  - PoE (Power over Ethernet). PoE is automatically detected when the network cable is connected.
  - Connect an external power adapter to the power connector block. For wiring information, see *page 15*.
5. Check that the indicator LEDs indicate the correct conditions, see *LED Indicators on page 12*.

## Adjust Focus

To adjust the zoom and focus follow these instructions:

### Note

- Set the focus as precise as possible with the focus puller or Focus Assistant before starting automatic fine tuning. Using the focus puller normally gives the best result.
- The iris should always be opened to its maximum while focusing. This gives the smallest depth of field and thus the best conditions for correct focusing.

1. Open the product's home page and go to **Setup > Basic Setup > Focus**.
2. Under the **Basic** tab, click **Open iris**. If the button is inactive the iris is already open.
3. If focus has been set before, click **Reset** to reset the back focus.
4. Loosen the zoom and focus pullers (see *Hardware Overview on page 10*) on the lens by turning them counter-clockwise. Move the pullers to set zoom and focus and check the quality of the image in the image window.  
If the camera is mounted so that one cannot look at the image and move the pullers at the same time, use the Focus Assistant instead.
5. Re-tighten the zoom and focus pullers.
6. On the Focus page, click **Fine-tune focus automatically** and wait until automatic fine tuning is completed.
7. Click **Enable iris**. If the button is inactive the iris is already enabled.
8. If needed, make further adjustments under the **Advanced** tab. See the online help for more information.

## Focus Assistant

To focus using the Focus Assistant, follow the instructions in steps 1–3 on *page 17* before you start with the steps below.

# AXIS Q1604 Network Camera

---

## Note

- The view in front of the camera should not be changed during focus adjustment (steps 5 and 6). If the camera is moved, or if a finger or other object is placed in front of the lens, steps 3–7 below will have to be repeated.
  - If movements in front of the camera cannot be avoided, the Focus Assistant should not be used.
  - If the control button is not released within two seconds, AXIS Dynamic DNS Service is enabled instead of the Focus Assistant.
  - If the camera is mounted so that the control button cannot be accessed, you can still use the Focus Assistant. Follow the instructions but mount the camera after step 4 (pressing the control button) instead and skip step 7.
1. Mount or place the camera so that it cannot be moved.
  2. Loosen the zoom puller by turning it anti-clockwise. Move the puller to set the zoom level. Retighten the zoom puller.
  3. Set the camera to its extreme distant-focus position by loosening the focus puller and turning the focus ring fully clockwise.
  4. Press and quickly release the control button. When the status indicator flashes green, the Focus Assistant is enabled. If the status indicator flashes either red or amber before you are able to adjust the lens, skip to step 7 to exit the Focus Assistant and repeat steps 3–7.
  5. Gently turn the focus ring anti-clockwise until it stops.
  6. Finally, turn the focus ring slowly clockwise until the status indicator flashes green or amber (not red).
  7. To exit the Focus Assistant, press the control button. The Focus Assistant is switched off automatically after 15 minutes.
  8. Retighten the focus puller.
  9. Open the Live View page in the web browser and check the quality of the image.
  10. Continue with steps 6–8 on *page 17*.

## Access the Product

AXIS IP Utility and AXIS Camera Management are recommended methods for finding Axis products on the network and assigning them IP addresses in Windows®. Both applications are free and can be downloaded from [www.axis.com/techsup](http://www.axis.com/techsup)

The product can be used with most operating systems and browsers. The recommended browsers are

- Internet Explorer® with Windows®
- Safari® with OS X®
- Chrome™ or Firefox® with other operating systems.

For more information about using the product, see the User Manual available at [www.axis.com](http://www.axis.com)

## Replace the Lens

### Note

There is no need to restart the product after changing the lens. However, the product must be restarted if you are interchanging between a P-Iris, DC iris or fixed/manual iris lens. In order to set the focus and position the lens, the product must be connected to the network.

It is possible to use optional lenses for the Axis product.

To replace the lens:

1. Disconnect the iris cable.
2. Unscrew the standard lens.
3. Attach and screw on the new lens.

### Note

If you select a DC iris configuration file for a P-Iris lens, an error message will appear below the iris configuration type in the **Camera Settings** page. For custom DC iris lenses, select Generic DC iris option.

To change the iris configuration:

1. Go to **Setup > Video and Audio > Camera Settings**. Iris configuration shows the current configured iris type.
2. Click **Edit**.
3. Select the installed iris lens from the drop-down list and click **OK**.

To change the iris configuration for P-Iris lenses not listed in the drop-down list:

1. Download the iris configuration file from [www.axis.com](http://www.axis.com)
2. Go to **Setup > Video and Audio > Camera Settings**. Iris configuration shows the current configured iris type.
3. In **Iris configuration**: Click **Edit**.
4. Go to the **Upload** tab.
5. Click **Browse** and select the configuration file.
6. Click **Upload**. The installed iris lens should now be included in the **Iris Selection** drop-down list.
7. Select the installed iris lens from the drop-down list and click **OK**.

## Reset to Factory Default Settings

### Important

Reset to factory default should be used with caution. A reset to factory default will reset all settings, including the IP address, to the factory default values.

## Note

The installation and management software tools are available from the support pages on [www.axis.com/techsup](http://www.axis.com/techsup)

To reset the product to the factory default settings:

1. Disconnect power from the product.
2. Press and hold the control button and reconnect power. See *Hardware Overview on page 10*.
3. Keep the control button pressed for 15–30 seconds until the status LED indicator flashes amber.
4. Release the control button. The process is complete when the status LED indicator turns green. The product has been reset to the factory default settings. If no DHCP server is available on the network, the default IP address is 192.168.0.90
5. Using the installation and management software tools, assign an IP address, set the password, and access the video stream.
6. Refocus the product.

It is also possible to reset parameters to factory default via the web interface. Go to **Setup > System Options > Maintenance**.

## Further Information

For the latest version of this document, see [www.axis.com](http://www.axis.com)

The User Manual is available at [www.axis.com](http://www.axis.com)

Visit [www.axis.com/techsup](http://www.axis.com/techsup) to check if there is updated firmware available for your network product. To see the currently installed firmware version, go to **Setup > About**.

Visit Axis learning center [www.axis.com/academy](http://www.axis.com/academy) for useful trainings, webinars, tutorials and guides.

## Warranty Information

For information about Axis' product warranty and thereto related information, see [www.axis.com/warranty/](http://www.axis.com/warranty/)

## Informations sur la sécurité

Lisez attentivement ce guide d'installation avant d'installer l'appareil. Conservez le guide d'installation pour toute référence ultérieure.

### Niveaux de risques

#### **▲DANGER**

Indique une situation dangereuse qui, si elle n'est pas évitée, entraînera le décès ou des blessures graves.

#### **▲AVERTISSEMENT**

Indique une situation dangereuse qui, si elle n'est pas évitée, pourrait entraîner le décès ou des blessures graves.

#### **▲ATTENTION**

Indique une situation dangereuse qui, si elle n'est pas évitée, pourrait entraîner des blessures légères ou modérées.

#### **AVIS**

Indique une situation qui, si elle n'est pas évitée, pourrait endommager l'appareil.

### Autres niveaux de message

#### Important

Indique les informations importantes, nécessaires pour assurer le bon fonctionnement de l'appareil.

#### Note

Indique les informations utiles qui permettront d'obtenir le fonctionnement optimal de l'appareil.

## Consignes de sécurité

### AVIS

- Le produit Axis doit être utilisé conformément aux lois et réglementations locales en vigueur.
- Pour pouvoir utiliser le produit Axis à l'extérieur, ou dans des environnements similaires, il doit être installé dans un boîtier d'extérieur homologué.
- Conserver ce produit Axis dans un environnement sec et ventilé.
- Ne pas exposer ce produit Axis aux chocs ou aux fortes pressions.
- Ne pas installer ce produit sur des supports, surfaces ou murs instables.
- Utiliser uniquement des outils recommandés pour l'installation de l'appareil Axis. L'application d'une force excessive sur l'appareil avec des outils puissants pourrait l'endommager.
- Ne pas utiliser de produits chimiques, de substances caustiques ou de nettoyeurs pressurisés.
- Utiliser un chiffon propre imbibé d'eau pure pour le nettoyage.
- Utiliser uniquement des accessoires conformes aux caractéristiques techniques du produit. Ils peuvent être fournis par Axis ou un tiers.
- Utiliser uniquement les pièces de rechange fournies ou recommandées par Axis.
- Ne pas essayer de réparer ce produit par vous-même. Contacter l'assistance technique d'Axis ou votre revendeur Axis pour des problèmes liés à l'entretien.
- L'alimentation électrique doit être branchée à une prise de courant installée près de l'équipement et être facilement accessible.

## Transport

### AVIS

- Lors du transport du produit Axis, utilisez l'emballage d'origine ou un équivalent pour éviter d'endommager le produit.

## Batterie

Si la batterie est faible, le fonctionnement de l'horloge en temps réel peut être affecté et entraîner sa réinitialisation à chaque mise sous tension. Un message enregistré apparaît dans le rapport de serveur du produit lorsque la batterie doit être remplacée. Pour tout complément d'information concernant le rapport de serveur, reportez-vous aux pages de Configuration du produit ou contactez l'assistance technique d'Axis.

La batterie doit être remplacée uniquement en cas de besoin, et pour ce faire, contactez l'assistance technique d'Axis à l'adresse [www.axis.com/techsup](http://www.axis.com/techsup) et obtenir de l'aide.

## **⚠AVERTISSEMENT**

- Risque d'explosion si la batterie est remplacée de façon incorrecte.
- Remplacez-la uniquement par une batterie identique ou une batterie recommandée par Axis.
- Mettez au rebut les batteries usagées conformément aux réglementations locales ou aux instructions du fabricant de la batterie.





## Guide d'installation

Ce guide d'installation vous explique comment installer la caméra réseau AXIS Q1604 sur votre réseau. Pour toute autre information relative à l'utilisation du produit, reportez-vous au manuel de l'utilisateur disponible sur le site [www.axis.com](http://www.axis.com)

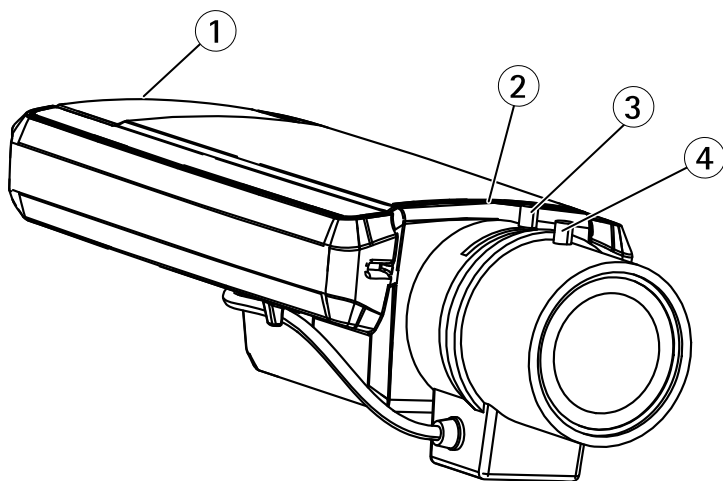
## Procédures d'installation

1. Assurez-vous que les outils et autres matériels nécessaires à l'installation sont inclus dans l'emballage. Cf. *page 25*.
2. Consultez la description du matériel. Cf. *page 26*.
3. Étudiez les caractéristiques. Cf. *page 31*.
4. Installez le matériel. Cf. *page 33*.
5. Utilisez le produit. Cf. *page 35*.
6. Réglez la mise au point. Cf. *page 34*.

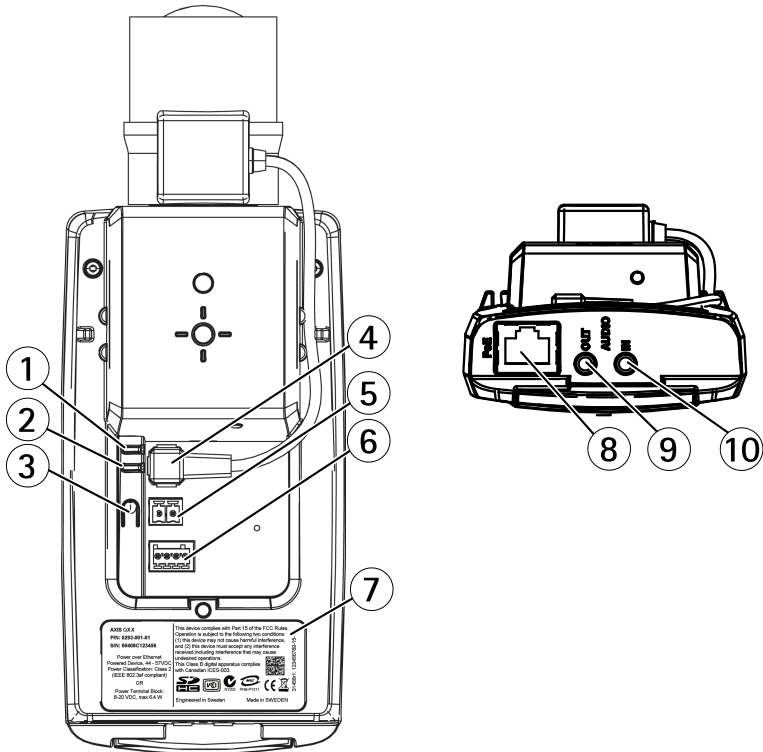
## Contenu de l'emballage

- Caméra réseau AXIS Q1604
- Support de caméra
- Connecteur du bloc d'alimentation : Bloc de connexion à 2 broches utilisé pour l'alimentation en entrée
- Bloc de connexion pour terminaux : Bloc de connexion à 4 broches pour le raccordement d'équipements externes au connecteur pour terminaux E/S
- Documents imprimés
  - Guide d'installation (ce document)
  - Étiquette supplémentaire de numéro de série (x2)
  - Clé d'authentification AVHS

### Aperçu du matériel



- 1 *Emplacement pour carte SD*
- 2 *Voyant d'état*
- 3 *Commande de zoom*
- 4 *Commande de mise au point*



- 1 Voyant d'alimentation
- 2 Voyant DEL réseau
- 3 Bouton de commande
- 4 Connecteur de l'iris
- 5 Connecteur d'alimentation\*
- 6 Connecteur pour terminal E/S
- 7 Numéro de produit (P/N) et numéro de série (S/N)
- 8 Connecteur réseau
- 9 Sortie audio
- 10 Entrée audio

\* Ne convient pas aux variantes extérieures.

## Voyants

### Note

- Le voyant d'état peut être éteint pendant le fonctionnement normal. Pour ce faire, rendez-vous dans **Setup > System Options > Ports & Devices > LED (Configuration > Options système > Ports et dispositifs > DEL)**. Consultez l'aide en ligne pour plus d'informations.
- Le voyant d'état peut clignoter lorsqu'un événement est actif.
- Le voyant d'état peut clignoter pendant l'identification de l'appareil. Rendez-vous dans **Setup (Configuration) > System Options (Options du système) > Maintenance (Maintenance)**.

Voyant d'état	Indication
Vert	Vert fixe en cas de fonctionnement normal.
Orange	Fixe pendant le démarrage et lors de la restauration des paramètres.
Rouge	Clignote en rouge en cas d'échec de la mise à niveau du microprogramme.

Voyant DEL réseau	Indication
Vert	Fixe en cas de connexion à un réseau de 100 Mbits/s. Clignote en cas d'activité réseau.
Orange	Fixe en cas de connexion à un réseau de 10 Mbits/s. Clignote en cas d'activité réseau.
Éteint	Pas de connexion réseau.

Voyant d'alimentation	Indication
Vert	Fonctionnement normal.
Orange	Le voyant vert/orange clignote pendant la mise à niveau du microprogramme.

## Comportement du voyant d'état pour l'assistant de mise au point

Couleur	Indication
Vert	L'assistant de mise au point est activé L'objectif est réglé de manière optimale.
Orange	La caméra a été déplacée ou un objet a été placé devant l'objectif. Quittez l'assistant de mise au point et recommencez. L'objectif est réglé de manière moins optimale.
Rouge	La caméra a été déplacée ou un objet a été placé devant l'objectif. Quittez l'assistant de mise au point et recommencez. L'objectif est mal réglé.

## Connecteurs et boutons

Pour les caractéristiques et les conditions d'utilisation, consultez *page 31*.

### Connecteur réseau

Connecteur Ethernet RJ45 avec l'alimentation par Ethernet (PoE).

#### **AVIS**

Le produit doit être connecté à l'aide d'un câble réseau blindé (STP). Tous les câbles reliant le produit au commutateur réseau doivent être destinés à leur usage spécifique. Assurez-vous que les périphériques réseau sont installés conformément aux instructions du fabricant. Pour plus d'informations sur les exigences réglementaires, consultez *Electromagnetic Compatibility (EMC) on page 2*.

### Connecteur d'E/S

Utilisez-le avec des périphériques externes associés aux applications telles que les alarmes de détérioration, la détection de mouvement, le déclenchement d'événements, l'enregistrement à intervalles et les notifications d'alarme. En plus du point de référence 0 V CC et de l'alimentation (sortie CC), le connecteur d'E/S fournit une interface aux éléments suivants :

- **Sortie numérique** – Permet de connecter des dispositifs externes, comme des relais ou des voyants. Les appareils connectés peuvent être activés par l'interface de programmation VAPIX®, des boutons de sortie sur la page Live View (Vidéo en direct) ou par une règle d'action. La sortie est considérée comme étant active (comme indiqué dans System Options > Ports Et Devices (Options du système > Ports et dispositifs)) si le dispositif d'alarme est activé.
- **Entrée numérique** – Entrée d'alarme utilisée pour connecter des dispositifs pouvant passer d'un circuit ouvert à un circuit fermé, par exemple : détecteurs infrarouge passifs, contacts de porte/fenêtre, détecteurs de bris de verre, etc. À la réception d'un signal,

# AXIS Q1604 Network Camera

---

l'état change et l'entrée s'active (sous **System Options > Ports Et Devices (Options du système > Ports et dispositifs)**).

## Connecteur audio

Le produit Axis dispose des connecteurs audio suivants :

- **Entrée audio (rose)** – entrée de 3,5 mm pour microphone mono ou signal d'entrée mono.
- **Sortie audio (verte)** : sortie de 3,5 mm (sortie de ligne) qui peut être connectée à un système de sonorisation (PA) ou à un haut-parleur actif avec amplificateur intégré. Un connecteur stéréo doit être utilisé pour la sortie audio.

Pour l'entrée audio, le canal gauche d'un signal stéréo est utilisé.

## Emplacement pour carte SD

### AVIS

- La carte SD risque d'être endommagée. Ne pas utiliser d'outils tranchants et ne pas forcer lors de l'insertion ou du retrait de la carte SD.
- Risque de perte de données. Pour éviter la corruption des données, la carte SD doit être démontée avant son retrait. Pour ce faire, rendez-vous dans **Setup > System Options > Storage > SD Card (Configuration > Options du système > Stockage > Carte SD)** et cliquez sur **Unmount (Démonter)**.

Cet appareil est compatible avec une carte SD/SDHC/SDXC (non incluse).

Pour obtenir des conseils sur la carte SD, rendez-vous sur [www.axis.com](http://www.axis.com)

## Bouton de commande

Pour connaître l'emplacement du bouton de commande, consultez *Aperçu du matériel page 26*.

Le bouton de commande permet de réaliser les opérations suivantes :

- Activation de l'assistant de mise au point. Appuyez et relâchez aussitôt le bouton de commande
- Réinitialisation du produit aux paramètres d'usine par défaut. Cf. *page 37*.
- Connexion au service du Système d'hébergement vidéo AXIS ou au service AXIS Internet Dynamic DNS. Pour plus d'informations sur ces services, reportez-vous au Manuel de l'utilisateur.

## Caractéristiques techniques

Produit	Température	Humidité
AXIS Q1604	0 °C à 50 °C (32 °F à 122 °F)	Humidité relative de 10 à 85 % (sans condensation)

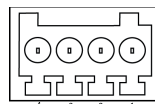
## Consommation électrique

Produit	PoE	CC
AXIS Q1604	Alimentation par Ethernet IEEE 802.3af/802.3at Type 1 Classe 3, max. 6,9 W	8–20 V CC

## Connecteurs

### Connecteur d'E/S

Bloc terminal à 4 broches



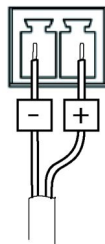
Pour un exemple de schéma, consultez *Schémas de connexion page 33*.

Fonction	Broche	Remarques	Caractéristiques
0 V CC (-)	1		
Sortie CC	2	Peut servir à alimenter le matériel auxiliaire. Remarque : cette broche ne peut être utilisée que comme sortie d'alimentation.	3,3 V CC Charge max. = 50 mA
Entrée numérique	3	Connectez-la à la broche 1 pour l'activer ou laissez-la flotter (déconnectée) pour la désactiver.	0 à 40 V CC
Sortie numérique	4	Connectée à la broche 1 lorsqu'elle est activée, flotte (déconnectée) lorsqu'elle est désactivée. Si vous l'utilisez avec une charge inductive, par exemple un relais, une diode doit être connectée en parallèle avec la charge, en guise de protection contre les tensions transitoires.	0 à 40 V CC max., drain ouvert, 100 mA

# AXIS Q1604 Network Camera

## Connecteur d'alimentation

Bloc terminal à 2 broches pour l'alimentation CC. Utilisez une source d'alimentation limitée (LPS) conforme aux exigences de Très basse tension de sécurité (TBTS) dont la puissance de sortie nominale est limitée à  $\leq 100$  W ou dont le courant de sortie nominal est limité à  $\leq 5$  A.



## Connecteur audio

Connecteurs audio 3,5 mm (stéréo)

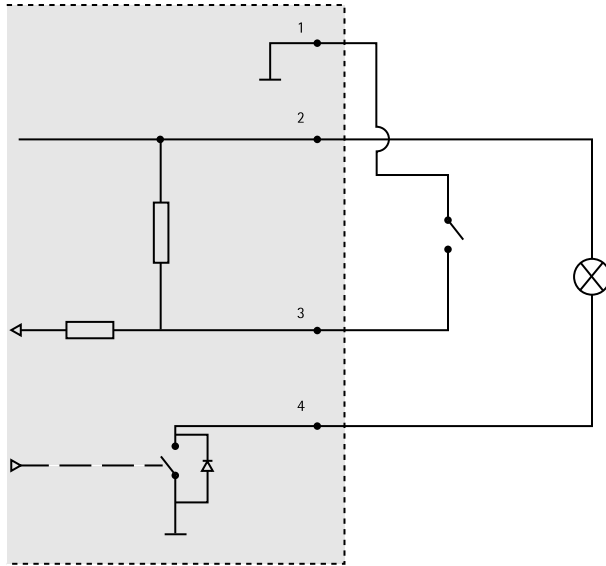


	1 Pointe	2 Anneau	3 Manchon
Entrée audio	Entrée micro/ligne		Masse
Sortie audio	Sortie ligne (mono)		Masse



## Schémas de connexion

### Connecteur d'E/S



- 1 0 V CC (-)
- 2 Sortie CC 3,3 V, maxi. 50 mA
- 3 Entrée numérique 0 à max. 40 V CC
- 4 Entrée numérique 0 à max. 40 V CC, drain ouvert, max. 100 mA

## Installation du matériel

### Branchement des câbles

1. Connectez des appareils d'entrée/sortie externes si nécessaire, par exemple des systèmes d'alarme. Pour plus d'informations sur les broches du connecteur pour terminaux, reportez-vous à la section *page 31*.
2. Branchez un haut-parleur actif et/ou un microphone externe si nécessaire.
3. Connectez la caméra au réseau à l'aide d'un câble réseau blindé.
4. Branchez l'alimentation en suivant l'une des méthodes décrites ci-dessous :
  - Alimentation par Ethernet (PoE) : l'alimentation par Ethernet (PoE) est automatiquement détectée lorsque le câble réseau est connecté.

- Connectez un adaptateur d'alimentation externe au bloc de connexion d'alimentation. Pour plus d'informations sur le câblage, consultez *page 31*.
5. Vérifiez que les voyants DEL indiquent le bon état de fonctionnement, consultez *Voyants page 28*.

## Réglage de la mise au point

Pour régler le zoom et la mise au point, procédez comme suit :

### Note

- Effectuez la mise au point de façon aussi précise que possible à l'aide de la commande de mise au point ou de l'assistant avant de démarrer l'ajustement automatique. L'utilisation de la commande de mise au point donne généralement le meilleur résultat.
  - Le diaphragme doit toujours être ouvert au maximum lors de la mise au point. Cela donne la plus petite profondeur de champ, ce qui offre les meilleures conditions pour une mise au point correcte.
1. Ouvrez la page d'accueil du produit et sélectionnez **Setup (Configuration) > Basic Setup (Configuration de base) > Focus (Mise au point)**.
  2. Sous l'onglet **Basic (Base)**, cliquez sur **Open iris (Ouvrir l'iris)**. Si le bouton est inactif, l'iris est déjà ouvert.
  3. Si la mise au point a déjà été effectuée, cliquez sur **Reset (Réinitialiser)** pour réinitialiser la mise au point arrière.
  4. Desserrez les commandes de zoom et de mise au point de l'objectif (voir *Aperçu du matériel page 26*) en les tournant dans le sens inverse des aiguilles d'une montre. Déplacez les commandes pour régler le zoom et la mise au point et vérifiez la qualité de l'image dans la fenêtre correspondante.  
Si la caméra est montée de telle sorte qu'il est impossible de regarder l'image et de déplacer les commandes en même temps, utilisez plutôt l'assistant de mise au point.
  5. Resserrez les commandes de zoom et de mise au point.
  6. À la page **Focus (Mise au point)**, cliquez sur **Fine-tune focus automatically (Ajuster la mise au point automatiquement)** et attendez que l'ajustement automatique soit terminé.
  7. Cliquez sur **Enable iris (Activer l'iris)**. Si le bouton est inactif, l'iris est déjà activé.
  8. Si nécessaire, effectuez d'autres réglages sous l'onglet **Advanced (Avancé)**. Consultez l'aide en ligne pour plus d'informations.

## Assistant de mise au point

Pour effectuer la mise au point en utilisant l'assistant, suivez les instructions décrites aux étapes 1 à 3 à la *page 34* avant de passer aux étapes ci-dessous.

## Note

- La vue en face de la caméra ne doit pas être modifiée lors du réglage de la mise au point (étapes 5 et 6). Si la caméra est déplacée ou si un doigt ou un autre objet est placé devant l'objectif, vous devrez recommencer les étapes 3 à 7 ci-dessous.
  - Si les mouvements devant la caméra ne peuvent pas être évités, l'assistant de mise au point ne doit pas être utilisé.
  - Si vous ne relâchez pas le bouton de commande dans les deux secondes, le service AXIS Dynamic DNS sera activé au lieu de l'assistant de mise au point.
  - Si la caméra est montée de sorte qu'il soit impossible d'accéder au bouton de commande vous pouvez tout de même utiliser l'assistant. Procédez comme indiqué, mais installez la caméra après l'étape 4 (en appuyant sur le bouton de commande) et passez à l'étape 7.
1. Installez la caméra ou placez-la de façon à ce qu'elle ne puisse pas bouger.
  2. Desserrez la commande de zoom en la tournant dans le sens inverse des aiguilles d'une montre. Déplacez la commande pour régler le niveau du zoom. Resserrez la commande de zoom.
  3. Réglez la caméra sur sa position de mise au point à distance extrême en desserrant la commande de mise au point et en tournant la bague de mise au point au maximum dans le sens des aiguilles d'une montre.
  4. Appuyez sur le bouton de commande et relâchez-le très vite. Lorsque le voyant d'état clignote en vert, l'assistant de mise au point est activé. Si le voyant d'état clignote en rouge ou en orange avant que vous n'ayez pu régler l'objectif, passez à l'étape 7 pour quitter l'assistant et recommencez les étapes 3 à 7.
  5. Tournez délicatement la bague de mise au point dans le sens inverse des aiguilles d'une montre jusqu'à ce qu'elle s'arrête.
  6. Pour finir, tournez lentement la bague de mise au point dans le sens inverse des aiguilles d'une montre jusqu'à ce que l'indicateur d'état clignote en vert ou en orange (et non en rouge).
  7. Pour quitter l'assistant de mise au point, appuyez à nouveau sur le bouton de commande. L'assistant de mise au point se désactive automatiquement après 15 minutes.
  8. Resserrez la commande de mise au point.
  9. Ouvrez la page Live View (Vue en direct) du navigateur web et contrôlez la qualité de l'image.
  10. Continuez avec les étapes 6 à 8 de *page 34*.

## Utilisez le produit

Si vous souhaitez rechercher des produits Axis sur le réseau ou leur affecter des adresses IP sous Windows®, nous recommandons l'utilisation des applications AXIS IP Utility et AXIS Camera Management. Ces deux applications sont gratuites et peuvent être téléchargées depuis [www.axis.com/techsup](http://www.axis.com/techsup)

# AXIS Q1604 Network Camera

---

Le produit peut être utilisé avec la plupart des systèmes d'exploitation et des navigateurs. Les navigateurs recommandés sont

- Internet Explorer® avec Windows®,
- Safari® avec OS X®
- Chrome™ ou Firefox® avec les autres systèmes d'exploitation.

Pour plus d'informations concernant l'utilisation du produit, consultez le manuel de l'utilisateur disponible sur le site [www.axis.com](http://www.axis.com)

## Remplacer l'objectif

### Note

Il n'est pas nécessaire de redémarrer le produit après le changement de l'objectif. Cependant, le produit doit être redémarré si vous passez d'un iris P à un iris DC ou à un objectif à iris fixe/manuel ou vice-versa. Afin d'effectuer la mise au point et de positionner l'objectif, le produit doit être connecté au réseau.

Il est possible d'utiliser des objectifs en option pour le produit Axis.

Pour remplacer l'objectif :

1. Débranchez le câble de l'iris.
2. Dévissez l'objectif standard.
3. Fixez et vissez le nouvel objectif.

### Note

Si vous sélectionnez un fichier de configuration d'iris DC pour un objectif de l'iris P, un message d'erreur apparaît en dessous du type de configuration de l'iris, dans la page **Camera Settings (Réglages caméra)**. Pour les objectifs d'iris DC personnalisés, sélectionnez l'option **Generic DC iris (iris DC générique)**.

Pour modifier la configuration de l'iris :

1. Accédez à **Setup > Video and Audio > Camera Settings (Configuration > Vidéo et image > Réglages caméra)**. **Iris configuration (Configuration de l'iris)** affiche le type d'iris actuellement configuré.
2. Cliquez sur **Edit (Modifier)**.
3. Sélectionnez l'objectif de l'iris installé dans la liste déroulante et cliquez sur **OK**.

Pour modifier la configuration de l'iris des objectifs à iris P qui n'apparaissent pas dans la liste déroulante :

1. Téléchargez le fichier de configuration de l'iris sur [www.axis.com](http://www.axis.com)

2. Accédez à **Setup > Video and Audio > Camera Settings (Configuration > Vidéo et image > Réglages caméra)**. Iris configuration (Configuration de l'iris) affiche le type d'iris actuellement configuré.
3. Dans **Iris configuration (Configuration de l'iris)** : Cliquez sur **Edit (Modifier)**.
4. Accédez à l'onglet **Upload (Charger)**.
5. Cliquez sur **Browse (Parcourir)** et sélectionnez le fichier de configuration.
6. Cliquez sur **Upload (Charger)**. L'objectif de l'iris installé doit maintenant être inclus dans la liste déroulante **Iris Selection (Sélection de l'iris)**.
7. Sélectionnez l'objectif de l'iris installé dans la liste déroulante et cliquez sur **OK**.

## Réinitialisation aux paramètres d'usine par défaut

### Important

La réinitialisation aux paramètres par défaut doit être utilisée avec prudence. Cette opération reconfigure tous les paramètres, y compris l'adresse IP, aux valeurs d'usine par défaut.

### Note

Les logiciels d'installation et de gestion sont disponibles sur les pages d'assistance du site [www.axis.com/techsup](http://www.axis.com/techsup)

Pour réinitialiser l'appareil aux paramètres d'usine par défaut :

1. Déconnectez l'alimentation de l'appareil.
2. Maintenez le bouton de commande enfoncé et remettez l'appareil sous tension. Consultez *Aperçu du matériel* page 26.
3. Maintenez le bouton de commande enfoncé pendant 15 à 30 secondes, jusqu'à ce que le voyant d'état passe à l'orange et clignote.
4. Relâchez le bouton de commande. Le processus est terminé lorsque le voyant d'état passe au vert. Les paramètres d'usine par défaut de l'appareil ont été rétablis. En l'absence d'un serveur DHCP sur le réseau, l'adresse IP par défaut est 192.168.0.90.
5. Utilisez les outils d'installation et de gestion pour attribuer une adresse IP, configurer le mot de passe et accéder au flux de données vidéo.
6. Nouvelle mise au point du produit.

Il est également possible de rétablir les paramètres d'usine à partir de l'interface Web. Accédez à **Setup > System Options > Maintenance (Configuration > Options du système > Maintenance)**.

## Pour obtenir plus de renseignements

Pour la dernière version de ce document, consultez le site [www.axis.com](http://www.axis.com)

# AXIS Q1604 Network Camera

---

Le Manuel de l'utilisateur est disponible à l'adresse suivante : [www.axis.com](http://www.axis.com)

Consultez le site [www.axis.com/techsup](http://www.axis.com/techsup) pour vérifier si des mises à jour des logiciels sont disponibles pour votre appareil réseau. Pour connaître la version du micrologiciel actuellement installée, reportez-vous à la page **Setup > About (Configuration > À propos de)**.

Visitez le centre d'apprentissage en ligne Axis sur le site [www.axis.com/academy](http://www.axis.com/academy) pour en savoir plus sur les formations, les webinaires, les tutoriels et les guides.

## Informations sur la garantie

Pour obtenir de plus amples informations sur la garantie du produit AXIS et des renseignements connexes, allez sur le site [www.axis.com/warranty/](http://www.axis.com/warranty/)

## Sicherheitsinformation

Lesen Sie das Installationshandbuch sorgfältig durch bevor sie das Produkt installieren. Bewahren Sie das Installationshandbuch für zukünftige Zwecke auf.

### Gefährdungsstufen

#### **▲GEFAHR**

Weist auf eine gefährliche Situation hin, welche, falls nicht verhindert, zu Tod oder schweren Verletzungen führt.

#### **▲WARNUNG**

Weist auf eine gefährliche Situation hin, welche, falls nicht verhindert, zu Tod oder schweren Verletzungen führen kann.

#### **▲VORSICHT**

Weist auf eine gefährliche Situation hin, welche, falls nicht verhindert, zu geringfügiger oder mäßiger Verletzung führen kann.

#### **HINWEIS**

Weist auf eine gefährliche Situation hin, welche, falls nicht verhindert, zu Sachschäden führen kann.

### Weitere Nachrichtenstufen

#### **Wichtig**

Weist auf wichtige Informationen hin, die den richtigen Betrieb des Produkts gewährleisten.

#### **Beachten**

Weist auf nützliche Informationen hin, die die optimale Verwendung des Produkts unterstützen.

## Sicherheitsanweisungen

### **HINWEIS**

- Die Anwendung des Axis Produkts muss unter Beachtung der örtlich geltenden rechtlichen Bestimmungen erfolgen.
- Bei der Anwendung von Axis Produkten im Außenbereich oder ähnlichen Umgebungen, müssen diese in zugelassenen Außengehäusen installiert werden.
- Lagern Sie das Axis Produkt in einer trockenen und belüfteten Umgebung.
- Achten Sie darauf, dass das Axis Produkt weder Stößen noch starkem Druck ausgesetzt ist.
- Installieren Sie das Produkt nicht an instabilen Halterungen, Oberflächen oder Wänden.
- Verwenden Sie bei der Installation des Axis Produkts ausschließlich passende Werkzeuge. Ein zu großer Kraftaufwand mit elektrischen Werkzeugen kann das Produkt beschädigen.
- Verwenden Sie keine chemischen, ätzenden oder aerosolhaltigen Reinigungsmittel.
- Verwenden Sie zum Reinigen ein sauberes, mit lauwarmem Wasser angefeuchtetes Tuch.
- Verwenden Sie nur Zubehör, das den technischen Daten des Produkts entspricht. Dieses ist von Axis oder Drittanbietern erhältlich.
- Verwenden Sie ausschließlich Ersatzteile die von Axis bereitgestellt oder empfohlen werden.
- Versuchen Sie nicht, das Produkt selbstständig zu reparieren. Wenden Sie sich bezüglich Reparatur und Wartung an den Axis Support oder Ihren Axis Händler.
- Das Netzteil sollte an eine Steckdose in der Nähe des Produkts angeschlossen werden und sollte leicht zugänglich sein.

## Transport

### **HINWEIS**

- Bei Bedarf transportieren Sie das Axis Produkt in der Originalverpackung oder einer entsprechenden Verpackung, so dass Schäden vermieden werden.

## Batterie

Bei entladener Batterie ist der Betrieb der Echtzeituhr nicht mehr gewährleistet, sodass die Uhr bei jedem Systemstart zurückgesetzt wird. Sie erhalten eine Protokollnachricht im Serverbericht des Produkts, wenn ein Batteriewechsel erforderlich ist. Weitere Informationen über den Serverbericht finden Sie auf den Setup-Seiten des Produkts, oder wenden Sie sich an den Axis Support.

Die Batterie sollte nur bei Bedarf ersetzt werden. Wenden Sie sich in diesem Fall an den Axis Support unter [www.axis.com/techsup](http://www.axis.com/techsup).



## **⚠WARNUNG**

- Explosionsgefahr bei fehlerhaftem Batteriewechsel.
- Die Batterie darf nur durch eine identische Batterie oder eine von Axis empfohlene Batterie ersetzt werden.
- Verbrauchte Batterien sind gemäß den örtlichen Vorschriften oder den Anweisungen des Herstellers zu entsorgen.



## Installationsanleitung

In dieser Anleitung wird die Installation der AXIS Q1604-Netzwerk-Kamera in Ihrem Netzwerk beschrieben. Weitere Informationen zur Nutzung dieses Produktes finden Sie im Benutzerhandbuch unter [www.axis.com](http://www.axis.com).

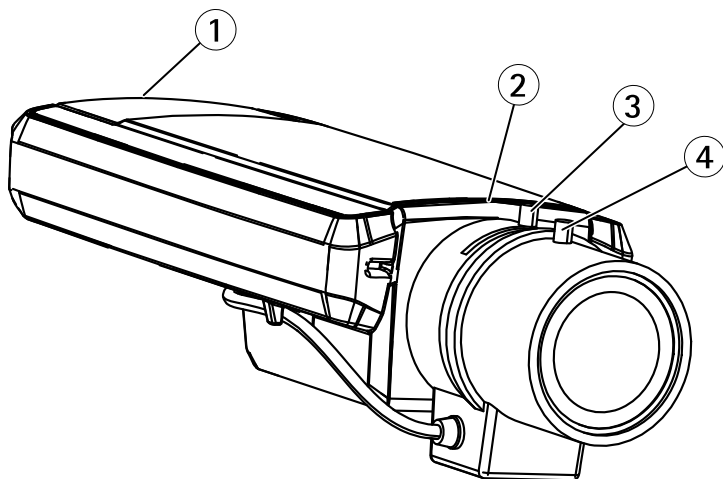
### Installationsschritte

1. Stellen Sie sicher, dass die Packungsinhalte, Werkzeuge und andere notwendige Materialien für die Installation in Ordnung sind. Siehe *Seite 43*.
2. Machen Sie sich mit der Hardware-Übersicht vertraut. Siehe *Seite 44*.
3. Machen Sie sich mit den technischen Daten vertraut. Siehe *Seite 49*.
4. Installieren Sie die Hardware. Siehe *Seite 51*.
5. Greifen Sie auf das Produkt zu. Siehe *Seite 53*.
6. Stellen Sie den Fokus ein. Siehe *Seite 52*.

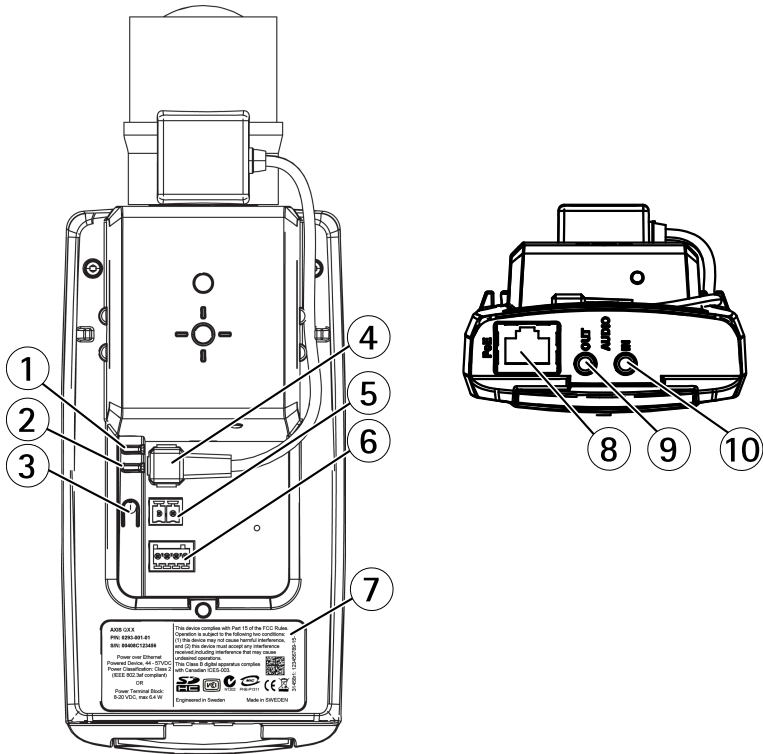
### Lieferumfang

- AXIS Q1604-Netzwerk-Kamera
- Kameramontagefuß
- Leistenstromanschluss: 2-poliger Anschlussblock für Stromeingang
- Klemmenleisten-Anschluss: 4-polige E/A-Anschlussleiste zum Anschluss von externen Geräten
- Gedruckte Dokumente
  - Installationsanleitung (dieses Dokument)
  - Zusätzliche Etiketten mit der Seriennummer (2x)
  - AVHS-Authentifizierungsschlüssel

## Übersicht über die Hardware



- 1 *SD-Kartensteckplatz*
- 2 *Status-LED*
- 3 *Zoomregler*
- 4 *Schärferegler*



- 1 Netz-LED
- 2 Netzwerk-LED
- 3 Steuertaste
- 4 Blendenanschluss
- 5 Stromanschluss\*
- 6 E/A-Anschluss
- 7 Produktnummer (P/N) und Seriennummer (S/N)
- 8 Netzwerk-Anschluss
- 9 Audioausgang
- 10 Audioeingang

\* Wird nicht für Ausführungen verwendet, die für den Einsatz im Freien vorgesehen sind.

# AXIS Q1604 Network Camera

---

## LEDs

### Beachten

- Die Status-LED kann so eingestellt werden, dass sie während des Normalbetriebs nicht leuchtet. Diese Konfiguration können Sie unter **Setup > System Options > Ports & Devices > LED (Setup > Systemoptionen > Anschlüsse & Geräte > LED)** einstellen. Weitere Informationen finden Sie in der Online-Hilfe.
- Die Status-LED kann so eingestellt werden, dass sie blinkt, wenn ein Ereignis aktiv ist.
- Die Status-LED kann so eingestellt werden, dass sie blinkt, wenn die Einheit erkannt wird. Rufen Sie **Setup > System Options > Maintenance (Setup > Systemoptionen > Wartung)** auf.

Status-LED	Bedeutung
Grün	Leuchtet bei Normalbetrieb grün.
Gelb	Leuchtet beim Start und beim Wiederherstellen der Einstellungen.
Rot	Blinkt rot bei einem Fehler während der Firmware-Aktualisierung.

Netzwerk-LED	Bedeutung
Grün	Leuchtet bei Verbindung mit einem 100 MBit/s-Netzwerk. Blinkt bei Netzwerkaktivität.
Gelb	Leuchtet bei Verbindung mit einem 10 MBit/s-Netzwerk. Blinkt bei Netzwerkaktivität.
Leuchtet nicht	Keine Netzwerkverbindung vorhanden.

Netz-LED	Bedeutung
Grün	Normaler Betrieb.
Gelb	Blinkt grün/gelb bei der Firmware-Aktualisierung.

## Verhalten der LED-Statusanzeige für den Fokus-Assistenten

Farbe	Bedeutung
Grün	Der Fokus-Assistent ist aktiviert. Das Objektiv ist optimal eingestellt.
Gelb	Die Kamera wurde bewegt oder vor dem Objektiv wurde ein Gegenstand platziert. Beenden Sie den Fokus-Assistenten und starten Sie ihn neu. Das Objektiv ist nicht optimal eingestellt.
Rot	Die Kamera wurde bewegt oder vor dem Objektiv wurde ein Gegenstand platziert. Beenden Sie den Fokus-Assistenten und starten Sie ihn neu. Das Objektiv ist unzureichend eingestellt.

## Anschlüsse und Tasten

Für die technischen Daten und Betriebsbedingungen siehe *Seite 49*.

### Netzwerkanschluss

RJ-45-Ethernetanschluss mit Power over Ethernet (PoE).

#### **HINWEIS**

Das Produkt muss mit einem abgeschirmten Netzkabel (STP) angeschlossen werden. Alle Kabel, die das Produkt mit dem Netzwerkschalter verbinden, müssen hierfür ausgelegt sein. Stellen Sie sicher, dass die Netzwerkgeräte gemäß den Anweisungen des Herstellers installiert wurden. Informationen zu gesetzlichen Bestimmungen finden Sie unter *Electromagnetic Compatibility (EMC) on page 2*.

### E/A-Anschluss

Zur Verwendung mit externen Geräten in Verbindung mit Manipulationsalarmen, Bewegungserkennung, Ereignisauslösung, Zeitrafferaufnahmen, Alarmbenachrichtigungen usw. Abgesehen vom 0 V DC-Bezugspunkt und einer Stromquelle (Gleichstromausgang) verfügt die E/A-Klemmenleiste über eine Schnittstelle zu:

- **Digitalausgang** – Zum Anschluss externer Geräte wie Relais und LEDs. Angeschlossene Geräte können über die VAPIX® Application Programming Interface (Programmierschnittstelle) über die Schaltflächen für den Ausgang auf der Seite „Live View“ oder durch eine Aktionsregel aktiviert werden. Der Ausgang wird als aktiv (siehe **System Options > Ports & Devices (Systemoptionen > Anschlüsse & Geräte)**) angezeigt, wenn das Alarmmeldegerät aktiviert ist.
- **Digitaleingang** – Alarmeingang für den Anschluss von Geräten, die zwischen geöffnetem und geschlossenem Schaltkreis wechseln können, z. B.: PIR-Sensoren, Tür-/Fensterkontakte, Glasbruchmelder usw. Bei Empfang eines Signals ändert sich

# AXIS Q1604 Network Camera

---

der Status und der Eingang wird aktiviert (siehe **System Options > Ports & Devices** (**Systemoptionen > Anschlüsse & Geräte**)).

## Audioanschlüsse

Das Axis-Produkt ist mit den folgenden Audioanschlüssen ausgestattet:

- **Audioeingang (rosa)** – 3,5-mm-Anschluss für ein Monomikrofon oder ein Monosignal.
- **Audioausgang (grün)** – 3,5-mm-Audioausgang (Leitungspegel) zum Anschließen einer Rundrufanlage (PA) oder eines Aktivlautsprechers mit integriertem Verstärker. Für den Audioausgang muss ein Stereostecker verwendet werden.

Beim Audioeingang wird der linke Kanal von einem Stereosignal benutzt.

## SD-Kartensteckplatz

### **HINWEIS**

- Gefahr von Schäden an der SD-Karte. Verwenden Sie beim Einlegen oder Entfernen der SD-Karte keine scharfen/spitzen Werkzeuge und wenden Sie nicht zu viel Kraft an.
- Gefahr vor Datenverlust. Um einer Beschädigung der Aufnahmen vorzubeugen, sollte die SD-Karte vor dem mechanischen Auswerfen getrennt werden. Rufen Sie zum Trennen **Setup > System Options > Storage > SD Card** (**Setup > Systemoptionen > Speicher > SD-Karte**) auf und klicken Sie auf **Unmount (Trennen)**.

Dieses Produkt unterstützt SD-/SDHC-/SDXC-Karten (separat erhältlich).

Empfehlungen zu SD-Karten finden Sie unter [www.axis.com](http://www.axis.com).

## Steuertaste

Die Steuertaste befindet sich an folgender Stelle: *Übersicht über die Hardware auf Seite 44*.

Die Steuertaste hat folgende Funktionen:

- Aktivierung des Fokus-Assistenten. Drücken Sie kurz die Steuertaste.
- Zurücksetzen des Produkts auf die Werkseinstellungen. Siehe *Seite 55*.
- Verbinden mit einem AXIS Video Hosting System-Service oder einem AXIS Internet Dynamic DNS-Service. Weitere Informationen zu diesen Diensten finden Sie in der Bedienungsanleitung.



## Technische Daten

Produkt	Temperatur	Luftfeuchtigkeit
AXIS Q1604	0 °C bis 50 °C	10 bis 85 % RH (nicht kondensierend)

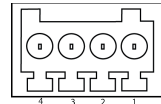
## Stromverbrauch

Produkt	PoE	Gleichstrom
AXIS Q1604	Power over Ethernet IEEE 802.3af/802.3at Typ 1 Klasse 3, max. 6,9 W	8 bis 20 V DC

## Anschlüsse

### E/A-Anschluss

4-poliger Anschlussblock



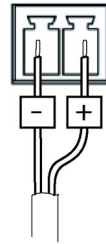
Ein Beispielschaltbild finden Sie unter *Anschlusschaltbilder* auf Seite 51.

Funktion	Kontakt	Hinweise	Technische Daten
0 V DC (-)	1		
Gleichstromausgang	2	Kann für die Stromversorgung von Zusatzgeräten verwendet werden. Hinweis: Dieser Kontakt kann nur für den Stromausgang verwendet werden.	3,3 V DC Max. Stromstärke = 50 mA
Digitalingang	3	Zum Aktivieren mit Kontakt 1 verbinden; zum Deaktivieren nicht anschließen.	0 bis max. 40 V DC
Digitalausgang	4	Bei Aktivierung mit Kontakt 1 verbunden; wenn deaktiviert: frei (nicht verbunden). Bei Verwendung mit einer induktiven Last, z. B. einem Relais, muss parallel zur Last zum Schutz vor Spannungsspitzen eine Diode zwischengeschaltet werden.	0 bis max. 40 V DC, Open Drain, 100 mA

# AXIS Q1604 Network Camera

## Stromanschluss

2-poliger Anschlussblock für die Gleichstromversorgung. Verwenden Sie eine mit den Anforderungen für Schutzkleinspannung (SELV) kompatible Stromquelle mit begrenzter Leistung (LPS) mit einer Nennausgangsleistung von  $\leq 100$  W oder einem dauerhaft auf  $\leq 5$  A begrenzten Nennausgangsstrom.



## Audioanschlüsse

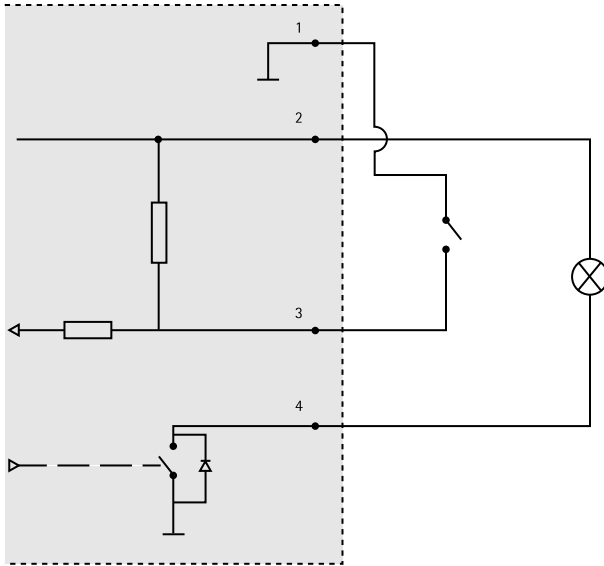
3,5-mm-  
Audioanschlüsse  
(stereo)



	1 Spitze	2 Ring	3 Schaft
Audioeingang	Mikrofon-/Leitungseingang		Masse
Audioausgang	Leitungsausgang (mono)		Masse

## Anschlussschaltbilder

### E/A-Anschluss



- 1 0 V DC (-)
- 2 DC-Ausgang 3,3 V, max. 50 mA
- 3 Digitaleingang 0 bis max. 40 V DC
- 4 Digitalausgang 0 bis max. 40 V DC, Open Drain, 100 mA

## Installieren der Hardware

### Anschließen der Kabel

1. Schließen Sie bei Bedarf externe Eingabe-/Ausgabegeräte wie Alarmanlagen an. Für Informationen zur Anschlussbelegung siehe Seite 49.
2. Schließen Sie ggf. einen Aktivlautsprecher und/oder ein externes Mikrofon an.
3. Verbinden Sie die Kamera über ein abgeschirmtes Netzkabel mit dem Netzwerk.
4. Schließen Sie die Kamera auf eine der folgenden Arten an die Stromversorgung an:
  - PoE (Power over Ethernet). PoE wird beim Anschließen des Netzkabels automatisch erkannt.

- Verbinden Sie ein externes Netzteil mit dem Anschlussblock für die Stromversorgung. Informationen zur Verkabelung finden Sie unter *Seite 49*
5. Überprüfen Sie, ob die LED-Anzeigen die Betriebszustände korrekt angeben. Siehe *LEDs auf Seite 46*.

## Einstellen der Bildschärfe

Befolgen Sie die folgenden Anweisungen, um Zoom und Bildschärfe einzustellen:

### Beachten

- Stellen Sie die Bildschärfe so präzise wie möglich über den Schärferegler oder den Fokus-Assistenten ein, bevor Sie die automatische Feinabstimmung starten. Der Schärferegler liefert in der Regel die besten Ergebnisse.
  - Die Blende muss beim Fokussieren Kamera vollständig geöffnet sein. Dadurch werden die geringste Schärfentiefe und damit die optimalen Voraussetzungen für die richtige Fokussierung erreicht.
1. Rufen Sie die Startseite des Produkts auf und gehen Sie zu **Setup > Basic Setup > Focus (Setup > Grundeinstellungen > Fokus)**.
  2. Klicken Sie unter der Registerkarte **Basic (Standard)** auf **Open iris (Blende öffnen)**. Ist diese Schaltfläche deaktiviert, ist die Blende bereits vollständig geöffnet.
  3. Wenn die Bildschärfe bereits eingestellt wurde, klicken Sie auf **Reset (Zurücksetzen)**, um das Auflagemaß zurückzusetzen.
  4. Lösen Sie den Zoomregler und den Schärferegler am Objektiv (siehe *Übersicht über die Hardware auf Seite 44*), indem Sie sie gegen den Uhrzeigersinn drehen. Bewegen Sie die beiden Regler und stellen Sie Zoomstärke und Bildschärfe ein. Prüfen Sie die Bildqualität im Bildfenster.  
Ist die Kamera so montiert, dass sich die Bildqualität nicht prüfen lässt, während gleichzeitig die Regler bewegt werden, können Sie stattdessen den Fokus-Assistenten verwenden.
  5. Drehen Sie Zoomregler und Schärferegler wieder fest.
  6. Klicken Sie auf der Fokus-Seite auf **Fine-tune focus automatically (Automatische Feinabstimmung der Bildschärfe)** und warten Sie, bis die automatische Feinabstimmung abgeschlossen ist.
  7. Klicken Sie auf **Enable iris (Blende aktivieren)**. Ist diese Schaltfläche deaktiviert, ist die Blende bereits aktiviert.
  8. Auf der Registerkarte **Advanced (Erweitert)** können Sie bei Bedarf weitere Einstellungen vornehmen. Weitere Informationen finden Sie in der Online-Hilfe.

## Fokus-Assistent

Zur Fokussierung der Kamera mit dem Fokus-Assistenten befolgen Sie zunächst die Anweisungen in den Schritten 1 bis 3 auf *Seite 52*, bevor Sie die folgenden Schritte ausführen.

## Beachten

- Während der Fokussierung der Kamera (Schritte 5 und 6) muss das Sichtfeld der Kamera unverändert bleiben. Falls Sie die Kamera bewegen oder wenn das Objektiv von einem Finger oder einem Gegenstand verdeckt wurde, müssen Sie die folgenden Schritte 3 bis 7 wiederholen.
  - Wenn Bewegungen vor der Kamera nicht vermieden werden können, sollten Sie den Fokus-Assistenten nicht verwenden.
  - Wenn Sie die Steuertaste nicht innerhalb von zwei Sekunden loslassen, wird anstelle des Fokus-Assistenten der AXIS Dynamic DNS Service aktiviert.
  - Wenn die Kamera so montiert ist, dass die Betätigung der Steuertaste nicht möglich ist, können Sie den Fokus-Assistenten trotzdem verwenden. Folgen Sie den Anweisungen unten, montieren Sie die Kamera aber stattdessen nach Schritt 4 (Steuertaste drücken) und überspringen Sie Schritt 7.
1. Fixieren oder platzieren Sie die Kamera so, dass sie nicht bewegt werden kann.
  2. Lösen Sie den Zoomregler, indem Sie ihn entgegen dem Uhrzeigersinn drehen. Bewegen Sie den Regler und stellen Sie die Zoomstärke ein. Drehen Sie den Zoomregler wieder fest.
  3. Stellen Sie die Kamera auf die weiteste Fernfokus-Position ein, indem Sie den Schärferegler lösen und den Fokusring vollständig im Uhrzeigersinn drehen.
  4. Drücken Sie die Steuertaste und lassen Sie sie schnell wieder los. Wenn die Statusanzeige grün blinkt, ist der Fokus-Assistent aktiviert. Wenn die Statusanzeige rot oder gelb blinkt, bevor Sie das Objektiv einstellen können, fahren Sie mit Schritt 7 fort, um den Fokus-Assistenten zu beenden, und wiederholen die Schritte 3 bis 7.
  5. Drehen Sie den Fokusring vorsichtig gegen den Uhrzeigersinn bis zum Anschlag.
  6. Drehen Sie den Fokusring dann langsam gegen den Uhrzeigersinn, bis die Statusanzeige grün oder gelb blinkt (nicht rot).
  7. Zum Beenden des Fokus-Assistenten drücken Sie erneut die Steuertaste. Der Fokus-Assistent wird nach 15 Minuten automatisch ausgeschaltet.
  8. Drehen Sie den Schärferegler wieder fest.
  9. Öffnen Sie die Seite Live View (Live-Ansicht) im Webbrowser und überprüfen Sie die Bildqualität.
  10. Führen Sie anschließend die Schritte 6 bis 8 auf *Seite 52* aus.

## Zugriff auf das Produkt

Für die Suche nach Axis Produkten im Netzwerk und zur Zuweisung einer IP-Adresse unter Windows® werden AXIS IP Utility und AXIS Camera Management empfohlen. Beide Anwendungen sind kostenlos und können von unserer Website unter [www.axis.com/techsup](http://www.axis.com/techsup) heruntergeladen werden.

Das Produkt ist mit den meisten Standard-Betriebssystemen und Browsern kompatibel. Empfohlen werden die Browser

- Internet Explorer® unter Windows®
- Safari® unter OS X®
- Chrome™ oder Firefox® unter anderen Betriebssystemen

Weitere Informationen zur Nutzung dieses Produkts finden Sie im Benutzerhandbuch unter [www.axis.com](http://www.axis.com).

## Wechseln des Objektivs

### Beachten

Sie müssen das Produkt nach dem Objektivwechsel nicht neu starten. Ein Neustart ist jedoch erforderlich, wenn Sie ein P-Iris-Objektiv, ein Objektiv mit DC-Blende oder ein Objektiv mit manueller oder fester Blende gegeneinander austauschen. Zum Einstellen der Bildschärfe und zur Positionierung des Objektivs muss die Kamera an das Netzwerk angeschlossen sein.

Das Axis-Produkt kann mit optionalen Objektiven verwendet werden.

So wird das Objektiv gewechselt:

1. Ziehen Sie das Blendenkabel ab.
2. Drehen Sie das Standardobjektiv heraus.
3. Setzen Sie das neue Objektiv an und drehen Sie es fest.

### Beachten

Wenn Sie eine DC-Blenden-Konfigurationsdatei für eine P-Iris-Blende auswählen, wird auf der Seite **Camera Settings (Kameraeinstellungen)** unter dem Blendenkonfigurationstyp eine Fehlermeldung angezeigt. Wählen Sie für eigene DC-Iris-Blenden die Option **Generic DC Iris (Generische DC-Blende)** aus.

So wird die Blendenkonfiguration geändert:

1. Rufen Sie **Setup > Video and Audio > Camera Settings (Einrichtung > Video und Audio > Kameraeinstellungen)** auf. Unter **Iris configuration (Blendenkonfiguration)** wird der aktuelle konfigurierte Blendentyp angezeigt.
2. Klicken Sie auf **Edit (Bearbeiten)**.
3. Wählen Sie die installierte Blende aus der Dropdown-Liste aus und klicken Sie auf **OK**.

Änderung der Blendenkonfiguration für P-Iris-Objektive, die nicht in der Dropdown-Liste aufgeführt sind.

1. Laden Sie die Blendenkonfigurationsdatei von [www.axis.com](http://www.axis.com) herunter
2. Rufen Sie **Setup > Video and Audio > Camera Settings (Einrichtung > Video und Audio > Kameraeinstellungen)** auf. Unter **Iris configuration (Blendenkonfiguration)** wird der aktuelle konfigurierte Blendentyp angezeigt.
3. In **Iris configuration (Blendenkonfiguration)**: Klicken Sie auf **Edit (Bearbeiten)**.

4. Gehen Sie auf die Registerkarte **Upload (Hochladen)**.
5. Klicken Sie auf **Browse (Durchsuchen)** und wählen Sie die Konfigurationsdatei aus.
6. Klicken Sie auf **Upload (Laden)**. Die installierte Blende wird jetzt in der Dropdown-Liste **Iris Selection (Blendenauswahl)** angezeigt.
7. Wählen Sie die installierte Blende aus der Dropdown-Liste aus und klicken Sie auf **OK**.

## Zurücksetzen auf Werkseinstellungen

### Wichtig

Das Zurücksetzen auf die Werkseinstellungen sollte mit Vorsicht verwendet werden. Beim Zurücksetzen auf die Werkseinstellungen werden alle Einstellungen einschließlich der IP-Adresse auf die Werkseinstellungen zurückgesetzt.

### Beachten

Die Software-Tools für Installation und Verwaltung sind über die Supportseiten unter [www.axis.com/techsup](http://www.axis.com/techsup) verfügbar.

So wird das Produkt auf die Werkseinstellungen zurückgesetzt:

1. Trennen Sie das Produkt von der Stromversorgung.
2. Halten Sie die Steuertaste gedrückt und stecken Sie den Netzstecker wieder ein. Siehe *Übersicht über die Hardware auf Seite 44*.
3. Halten Sie die Steuertaste etwa 15 bis 30 Sekunden gedrückt, bis die LED-Statusanzeige gelb blinkt.
4. Lassen Sie die Steuertaste los. Der Vorgang ist abgeschlossen, wenn die LED-Statusanzeige grün leuchtet. Das Produkt wurde auf die Werkseinstellungen zurückgesetzt. Wenn kein DHCP-Server im Netzwerk verfügbar ist, lautet die Standard-IP-Adresse 192.168.0.90.
5. Verwenden Sie die Software-Tools für Installation und Verwaltung, um eine IP-Adresse zuzuweisen, ein Kennwort einzurichten und auf den Videostream zuzugreifen.
6. Justieren Sie den Fokus des Produkts neu.

Die Parameter können auch über die Weboberfläche auf die Werkseinstellungen zurückgesetzt werden. Rufen Sie **Setup > System Options > Maintenance (Setup > Systemoptionen > Wartung)** auf.

## Weitere Informationen

Unter [www.axis.com](http://www.axis.com) finden Sie die neuste Version dieses Dokuments.

Das Benutzerhandbuch steht unter [www.axis.com](http://www.axis.com) zur Verfügung.

## AXIS Q1604 Network Camera

---

Unter [www.axis.com/techsup](http://www.axis.com/techsup) finden Sie Firmware-Aktualisierungen für Ihre Netzwerkprodukte. Um die aktuell installierte Firmware-Version zu sehen, gehen Sie auf **Setup > About (Setup > Über)**.

Besuchen Sie das Axis-Schulungszentrum [www.axis.com/academy](http://www.axis.com/academy) für anregende Schulungen, Webinare, Lernprogramme und Anleitungen.

### **Gewährleistungsinformationen**

Informationen zur Gewährleistung der Axis Produkte und andere, hierzu relevante Informationen, finden Sie unter [www.axis.com/warranty/](http://www.axis.com/warranty/)



## Informazioni di sicurezza

Leggere con attenzione questa guida all'installazione prima di installare il dispositivo. Conservare questo documento per usi futuri.

### Livelli di pericolo

#### **▲PERICOLO**

Indica una situazione pericolosa che, se non evitata, provoca morte o lesioni gravi.

#### **▲AVVERTENZA**

Indica una situazione pericolosa che, se non evitata, può provocare la morte o lesioni gravi.

#### **▲ATTENZIONE**

Indica una situazione pericolosa che, se non evitata, può provocare lesioni medie o minori.

#### **AWISO**

Indica una situazione che, se non evitata, può danneggiare la proprietà.

### Altri livelli di messaggio

#### Importante

Indica informazioni importanti, essenziali per il corretto funzionamento del dispositivo.

#### Nota

Indica informazioni utili che aiutano ad ottenere il massimo risultato dal dispositivo.

## Informazioni di sicurezza

### **AVISO**

- Il prodotto Axis deve essere utilizzato in conformità alle leggi e alle disposizioni locali.
- Per utilizzare il prodotto Axis in ambienti esterni, o in ambienti simili, deve essere installato in una custodia per esterni approvata.
- Conservare il prodotto Axis in un ambiente asciutto e ventilato.
- Evitare di esporre il prodotto Axis a urti o pressioni eccessive.
- Non installare il prodotto su supporti, superfici o pareti instabili.
- Utilizzare solo strumenti applicabili quando si installa il dispositivo Axis. Se si utilizza una forza eccessiva con strumenti non adatti è possibile causare danni al dispositivo.
- Non utilizzare sostanze chimiche, agenti caustici o detergenti aerosol.
- Utilizzare un panno pulito inumidito in acqua pura per la pulizia.
- Utilizzare solo accessori compatibili con le specifiche tecniche del dispositivo. Questi possono essere forniti da Axis o da terze parti.
- Utilizzare solo parti di ricambio fornite o consigliate da Axis.
- Non tentare di riparare il dispositivo da soli. Contattare l'assistenza o il rivenditore Axis per questioni relative alla manutenzione.
- L'alimentazione sarà collegata alla presa installata vicino al dispositivo e sarà facilmente accessibile.

## Trasporto

### **AVISO**

- Durante il trasporto del dispositivo Axis, utilizzare l'imballaggio originale o equivalente per evitare danni al dispositivo.

## Batteria

Una bassa carica della batteria influisce sul funzionamento del RTC, facendolo resettare a ogni accensione. Quando la batteria deve essere sostituita, un messaggio di registro viene visualizzato nel report server del dispositivo. Per ulteriori informazioni sul report server, vedere le pagine di configurazione del dispositivo o contattare l'assistenza Axis.

La batteria non deve essere sostituita se non richiesto, ma nel caso in cui questo fosse necessario, contattare il supporto Axis all'indirizzo [www.axis.com/techsup](http://www.axis.com/techsup) per assistenza.

## **⚠AVVERTENZA**

- Rischio di esplosione se la batteria viene sostituita in modo errato.
- Sostituire solo con una batteria identica o una batteria consigliata da Axis.
- Smaltire le batterie usate in base alle normative locali o alle istruzioni del produttore della batteria.



## Guida all'installazione

La presente Guida all'installazione fornisce le istruzioni necessarie per installare la telecamera di AXIS Q1604 nella rete in uso. Per ulteriori informazioni sull'utilizzo del dispositivo, consultare la Guida per l'utente disponibile all'indirizzo [www.axis.com](http://www.axis.com)

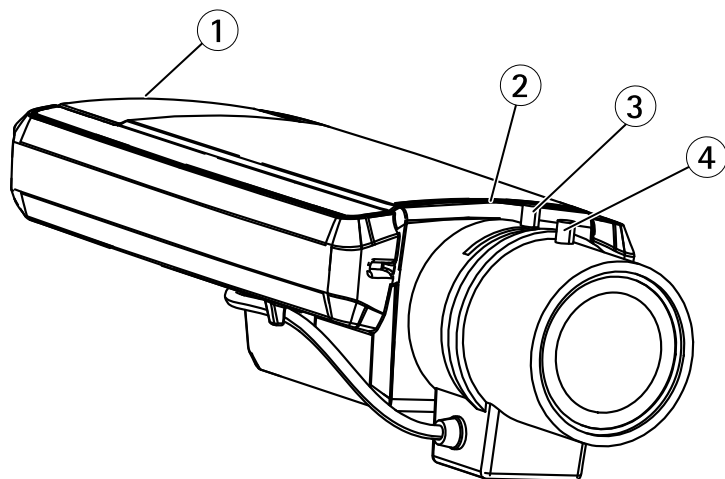
## Procedura di installazione

1. Assicurarsi che il contenuto della confezione, gli strumenti e altri materiali necessari per l'installazione siano in ordine. Consultare *pagina 61*.
2. Studiare la descrizione dell'hardware. Consultare *pagina 62*.
3. Studiare le specifiche. Consultare *pagina 66*.
4. Installare l'hardware. Consultare *pagina 69*.
5. Accedere al dispositivo. Consultare *pagina 71*.
6. Impostare la messa a fuoco. Consultare *pagina 70*.

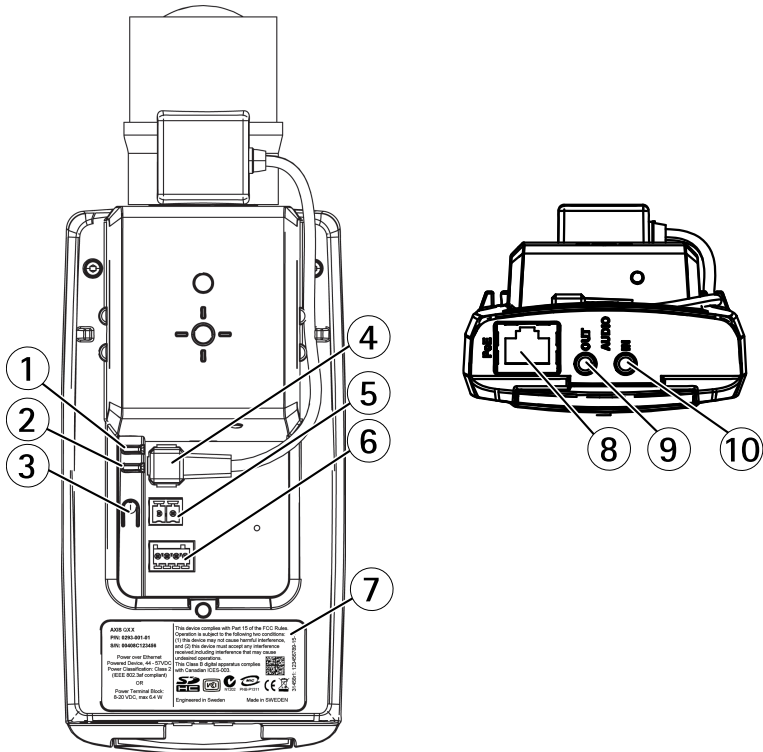
## Contenuto della confezione

- Telecamera di rete AXIS Q1604
- Cavalletto
- Connettore di alimentazione: morsettiera a 2 pin per ingresso alimentazione
- Connettore della morsettiera: morsettiera con connettore a 4 pin per la connessione di periferiche esterne alla morsettiera di I/O
- Materiali stampati
  - Guida all'installazione (questo documento)
  - Etichetta aggiuntiva con numero di serie (2x)
  - Chiave di autenticazione AVHS

## Panoramica dell'hardware



- 1 Slot per scheda SD
- 2 LED di stato
- 3 Levetta zoom
- 4 Levetta di messa a fuoco



- 1 LED di alimentazione
- 2 LED di rete
- 3 Pulsante di comando
- 4 Connettore del diaframma
- 5 Connettore di alimentazione\*
- 6 Connettore per morsetti I/O
- 7 Codice prodotto (P/N) e numero di serie (S/N)
- 8 Connettore di rete
- 9 Uscita audio
- 10 Ingresso audio

\*Non utilizzato per varianti esterne.

## Indicatori LED

### Nota

- Lo status del LED può essere configurato per essere spento durante il normale funzionamento. Per configurarlo, selezionare **Setup (Configurazione) > System Options (Opzioni di sistema) > Ports & Devices (Porte & Dispositivi) > LED**. Per ulteriori informazioni, consultare l'aiuto in linea.
- Il LED di stato può essere configurato per lampeggiare quando un evento è attivo.
- Il LED di stato può essere configurato per lampeggiare per identificare l'unità. Andare su **Setup > System Options > Maintenance (Configurazione > Opzioni di sistema > Manutenzione)**.

LED di stato	Indicazione
Verde	Luce verde fissa: condizioni di normale utilizzo.
Giallo	Fissa durante l'avvio e quando si ripristinano le impostazioni.
Rosso	Lampeggia in rosso se l'aggiornamento del firmware non è andato a buon fine.

LED di rete	Indicazione
Verde	Luce fissa per connessione di rete a 100 Mbit/s. Luce lampeggiante: attività di rete.
Giallo	Luce fissa per connessione di rete a 10 Mbit/s. Luce lampeggiante: attività di rete.
Spento	Assenza di connessione.

LED di alimentazione	Indicazione
Verde	Normale utilizzo.
Giallo	Luce lampeggiante verde/gialla: aggiornamento firmware.



## Comportamento del LED di stato per Focus Assistant

Colore	Indicazione
Verde	Focus Assistant abilitato. Obiettivo regolato in modo ottimale.
Giallo	Telecamera spostata oppure posizionamento di un oggetto davanti all'obiettivo. Uscire e riavviare Focus Assistant. Obiettivo regolato in modo non ottimale.
Rosso	Telecamera spostata oppure posizionamento di un oggetto davanti all'obiettivo. Uscire e riavviare Focus Assistant. Obiettivo regolato in modo improprio.

## Connettori e pulsanti

Per le specifiche e le condizioni di funzionamento, consultare *pagina 66*.

### Connettore di rete

Connettore Ethernet RJ45 con Power over Ethernet (PoE+).

### **AVVISO**

Collegare il dispositivo con un cavo di rete schermato (STP). Tutti i cavi che collegano il dispositivo alla rete sono destinati al loro uso specifico. Accertarsi che i dispositivi di rete siano installati secondo le istruzioni del produttore. Per maggiori informazioni sui requisiti normativi, consultare *Electromagnetic Compatibility (EMC) on page 2*.

### Connettore I/O

Utilizzare con dispositivi esterni in combinazione con, ad esempio, allarmi antimanomissione, rilevazione del movimento, attivazione di eventi, registrazione temporizzata e notifiche di allarme. Oltre al punto di riferimento 0 V CC e all'alimentazione (uscita CC), il connettore I/O fornisce l'interfaccia per:

- **Uscita digitale** – Per collegare dispositivi esterni come relè o LED. Le periferiche collegate possono essere attivate tramite VAPIX® API (interfaccia per la programmazione di applicazioni), tramite i pulsanti di comando della pagina Live View (Immagini dal vivo) oppure tramite l'opzione Action Rule (regola di azione). L'uscita verrà visualizzata come attiva (visualizzata in Opzioni di Sistema > Porte e Dispositivi) se il dispositivo di allarme è attivato.
- **Ingresso digitale** – Ingresso allarme utilizzabile per collegare le periferiche, che può passare dal circuito chiuso al circuito aperto, ad esempio: Sensori di movimento (PIR), contatti porta/finestra, rilevatori di rottura vetri e così via. Dopo la ricezione del segnale lo stato cambia e l'ingresso diventa attivo (visualizzato in System Options > Ports & Devices (Opzioni di Sistema > Porte e Dispositivi)).

# AXIS Q1604 Network Camera

## Connettore audio

Il prodotto Axis dispone dei seguenti connettori audio:

- **Ingresso audio (rosa)** - Ingresso audio da 3,5 mm per microfono in mono o segnale mono line-in.
- **Uscita audio (verde)** - Uscita audio da 3,5 mm (livello di linea) che può essere connessa a un sistema di indirizzo pubblico (PA) o a un altoparlante con amplificatore integrato. Per l'uscita audio è necessario usare un connettore stereo.

Per l'ingresso audio, il canale sinistro viene utilizzato da un segnale stereo.

## Slot per scheda SD

### **AVISO**

- Rischio di danni alla scheda SD. Non utilizzare strumenti appuntiti e non esercitare eccessiva forza durante l'inserimento o la rimozione della scheda SD.
- Rischio di perdita di dati. Per prevenire il danneggiamento dei dati, la scheda SD deve essere scollegata prima della rimozione. Per scollegare, andare a **Setup > System Options > Storage > SD Card (Configurazione > Opzioni di sistema > Archiviazione > Scheda SD)** e fare clic su **Unmount (Smonta)**.

Questo dispositivo supporta schede di memoria SD/SDHC/SDXC (scheda di memoria non inclusa).

Per i consigli sulla scheda SD, visitare il sito Web [www.axis.com](http://www.axis.com).

## Pulsante di comando

Per l'ubicazione del pulsante di comando, vedere *Panoramica dell'hardware alla pagina 62*.

Il pulsante di comando viene utilizzato per:

- Abilitare la messa a fuoco assistita. Premere e rilasciare molto rapidamente il pulsante di comando.
- Ripristino del dispositivo alle impostazioni predefinite di fabbrica. Consultare *pagina 73*.
- Collegamento a un servizio AXIS Video Hosting System o AXIS Internet Dynamic DNS Service. Per ulteriori informazioni su questi servizi, consultare il Manuale Utente.

## Dati tecnici

Dispositivo	Temperatura	Umidità
AXIS Q1604	Da 0 °C a 50 °C (da 32 °F a 122 °F)	10-85% (umidità relativa senza condensa)

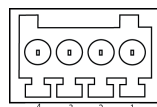
## Consumo energetico

Dispositivo	PoE	CC
AXIS Q1604	Power over Ethernet IEEE 802.3af/802.3at Tipo 1 Classe 3, max. 6,9 W	8-20 V CC

## Connettori

### Connettore I/O

Morsettiera a 4 pin



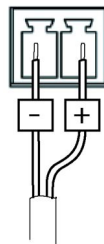
Per un esempio di schema, consultare *Schema delle connessioni alla pagina 69*.

Funzione	Per- no	Note	Specifiche
0 V CC (-)	1		
Uscita CC	2	Può essere utilizzato anche per alimentare una periferica ausiliaria. Nota: questo pin può essere usato solo come uscita alimentazione.	3,3 V CC Carico massimo = 50 mA
Ingresso digitale	3	Collegare al pin 1 per attivarlo oppure lasciarlo isolato (scollegato) per disattivarlo.	Da 0 a max 40 V CC
Uscita digitale	4	Collegare al pin 1 quando attiva, isolata (scollegata) quando inattiva. Se utilizzata con un carico induttivo, ad esempio un relè esterno, è necessario collegare un diodo in parallelo al carico per proteggere il dispositivo da sovratensioni.	Da 0 a max 40 V CC, open-drain, 100 mA

# AXIS Q1604 Network Camera

## Connettore di alimentazione

Morsettiera a 2 pin per ingresso alimentazione CC. Utilizzare una sorgente di alimentazione limitata (LPS) compatibile con una bassissima tensione di sicurezza (SELV) con una potenza di uscita nominale limitata a  $\leq 100$  W o una corrente nominale di uscita limitata a  $\leq 5$  A.



## Connettore audio

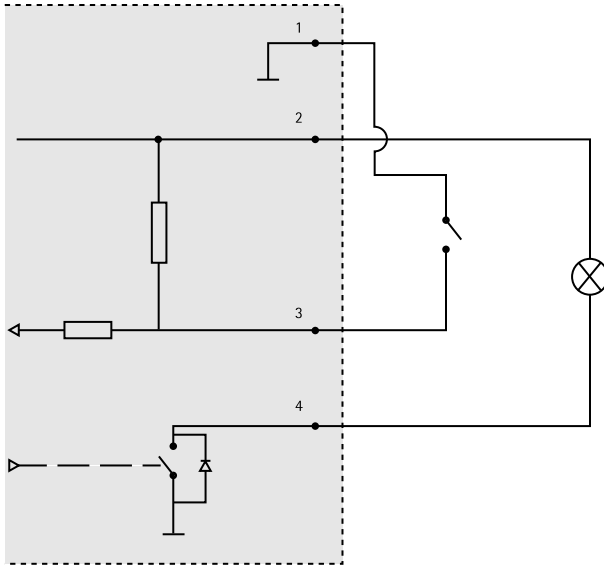
Connettori audio da 3,5 mm (stereo)



	1 Punta	2 Anello	3 Guaina
Ingresso audio	Ingresso microfono/linea		Terra
Uscita audio	Uscita linea (mono)		Terra

## Schema delle connessioni

### Connettore I/O



- 1 0 V CC (-)
- 2 Uscita CC 3,3 V, max 50 mA
- 3 Ingresso digitale da 0 a max 40 V CC
- 4 Ingresso digitale da 0 a max 40 V CC, open-drain, 100 mA

## Installazione dell'hardware

### Collegare i cavi

1. Se necessario, collegare gli altri dispositivi esterni, come i sistemi di allarme. Per informazioni sui pin del connettore terminale, consultare *pagina 67*.
2. Se necessario, collegare l'altoparlante attivo e/o il microfono esterno.
3. Collegare la telecamera alla rete mediante un cavo di rete schermato.
4. Collegare l'alimentazione mediante uno dei metodi elencati di seguito:
  - PoE (Power over Ethernet). PoE è rilevato automaticamente quando si collega il cavo di rete.

- Collegare un alimentatore esterno alla basetta di alimentazione. Per informazioni sul cablaggio, consultare *pagina 67*.
5. Verificare che i LED indichino le condizioni di funzionamento corrette, consultare *Indicatori LED alla pagina 64*.

### Regolazione della messa a fuoco

Per regolare lo zoom e la messa a fuoco, attenersi alla seguente procedura:

#### Nota

- È consigliabile regolare il più accuratamente possibile la messa a fuoco tramite l'apposita levetta o Focus Assistant prima di avviare la regolazione automatica precisa. Generalmente i risultati migliori si ottengono utilizzando la levetta di regolazione della messa a fuoco.
  - Il diaframma deve sempre essere aperto al massimo quando si regola la messa a fuoco. In questo modo, viene utilizzata la minima profondità di campo, offrendo le condizioni migliori per una corretta messa a fuoco.
1. Aprire la pagina iniziale del prodotto e selezionare **Setup (Impostazioni) > Basic Setup (Impostazioni di base) > Focus (Messa a fuoco)**.
  2. Nella scheda **Basic (Base)**, fare clic su **Open iris (Aprire diaframma)**. Se il pulsante è inattivo, il diaframma è già aperto.
  3. Se la messa a fuoco è già stata impostata, fare clic su **Reset (Reimposta)** per reimpostare la messa a fuoco.
  4. Allentare le levette di regolazione dello zoom e della messa a fuoco (consultare *Panoramica dell'hardware alla pagina 62*) sull'obiettivo ruotandole in senso antiorario. Spostare le levette per impostare lo zoom e la messa a fuoco, quindi controllare la qualità dell'immagine nella finestra corrispondente.  
Se la telecamera è montata in una posizione che non consente di controllare l'immagine e di spostare contemporaneamente le levette, usare il Focus Assistant.
  5. Riavvitare le levette di zoom e di messa a fuoco.
  6. Nella pagina della messa a fuoco, fare clic su **Fine-tune focus automatically (Messa a fuoco regolazione fine automatica)** e aspettare fino a quando la regolazione fine automatica non viene completata.
  7. Fare clic su **Enable iris (Abilita diaframma)**. Se il pulsante è inattivo, il diaframma è già abilitato.
  8. Se necessario, apportare ulteriori regolazioni nella scheda **Advanced (Avanzate)**. Per ulteriori informazioni, consultare l'aiuto in linea.

### Focus Assistant (Messa a fuoco assistita)

Per regolare la messa a fuoco della telecamera tramite Focus Assistant, seguire le istruzioni riportate nei punti da 1 a 3 a *pagina 70* prima di eseguire le operazioni descritte di seguito.

## Nota

- Verificare che la scena davanti alla telecamera non cambi durante la regolazione della messa a fuoco (punti 5 e 6). Se si sposta la telecamera o si colloca un dito o un altro oggetto davanti all'obiettivo, sarà necessario ripetere le operazioni descritte nei punti da 3 a 7 di seguito.
  - Se non è possibile evitare movimenti davanti alla telecamera, non utilizzare Focus Assistant.
  - Se non si rilascia il pulsante di comando entro due secondi, viene abilitata la funzione AXIS Dynamic DNS Service (Servizio DNS dinamico) anziché Focus Assistant.
  - È possibile utilizzare Focus Assistant anche se la posizione di installazione della telecamera non consente l'accesso al tasto di comando. Seguire le istruzioni, ma montare la telecamera dopo il passaggio 4 (tenendo premuto il tasto di comando) e saltare il passaggio 7.
1. Installare o collocare la telecamera in un luogo da cui non possa essere spostata.
  2. Allentare la levetta di regolazione dello zoom ruotandola in senso antiorario. Spostare la levetta per impostare il livello di zoom. Riavvitare la levetta dello zoom.
  3. Impostare la telecamera nella posizione corrispondente alla massima distanza di messa a fuoco allentando la levetta di regolazione della messa a fuoco e ruotando la ghiera di messa fuoco in senso orario fino in fondo.
  4. Premere e rilasciare velocemente il pulsante di comando. Se l'indicatore di stato inizia a lampeggiare in verde, significa che Focus Assistant è abilitato. Se l'indicatore di stato lampeggia in rosso o giallo prima che si sia riusciti a regolare l'obiettivo, passare al punto 7 per uscire da Focus Assistant e ripetere le operazioni descritte nei punti da 3 a 7. Per ulteriori informazioni, consultare le note riportate in precedenza.
  5. Ruotare delicatamente la ghiera di messa fuoco in senso antiorario fino all'arresto.
  6. Infine, ruotare la ghiera di messa a fuoco lentamente in senso orario fino a quando l'indicatore di stato lampeggia in verde o giallo (non in rosso).
  7. Per uscire da Focus Assistant, premere nuovamente il tasto di comando. Focus Assistant si disattiva automaticamente dopo 15 minuti.
  8. Serrare nuovamente la levetta di regolazione della messa a fuoco.
  9. Aprire la pagina Live View (Vista dal Vivo) nel browser e controllare la qualità dell'immagine.
  10. Continuare con i punti da 6 a 8 in *pagina 70*.

## Accedere al dispositivo

AXIS IP Utility e AXIS Camera Management sono i metodi consigliati per trovare i dispositivi Axis in rete e assegnare loro un indirizzo IP in Windows®. Queste applicazioni sono entrambe gratuite e possono essere scaricate da [www.axis.com/techsup](http://www.axis.com/techsup)

# AXIS Q1604 Network Camera

---

Il dispositivo può essere utilizzato con la maggior parte dei sistemi operativi e dei browser. I browser consigliati sono

- Internet Explorer® con Windows®
- Safari® con OS X®
- Chrome™ o Firefox® con altri sistemi operativi.

Per ulteriori informazioni sull'utilizzo del dispositivo, consultare la Guida per l'utente disponibile sul sito Web [www.axis.com](http://www.axis.com)

## Sostituzione dell'obiettivo

### Nota

Non è necessario riavviare il dispositivo dopo la sostituzione dell'obiettivo. Il dispositivo deve tuttavia essere riavviato se la sostituzione avviene tra un obiettivo P-Iris, DC-Iris o con diaframma fisso/manuale. Per impostare la messa a fuoco e posizionare l'obiettivo, il dispositivo deve essere collegato alla rete.

Per il dispositivo Axis è possibile utilizzare obiettivi opzionali.

Per sostituire l'obiettivo:

1. Scollegare il cavo del diaframma.
2. Svitare l'obiettivo standard.
3. Collegare e avvitare il nuovo obiettivo.

### Nota

Se si seleziona un file di configurazione DC iris per un obiettivo P-Iris, verrà visualizzato un messaggio di errore sotto il tipo di configurazione del diaframma nella pagina **Camera Settings (Impostazioni telecamera)**. Per obiettivi DC Iris personalizzati, selezionare l'opzione **Generic DC Iris (DC Iris generico)**.

Per modificare la configurazione del diaframma:

1. Andare su **Setup > Video and Audio > Camera Settings (Configurazione > Video e audio > Impostazioni telecamera)**. **Iris configuration (Configurazione diaframma)** mostra il tipo di diaframma attualmente configurato.
2. Fare clic su **Edit (Modifica)**.
3. Selezionare il diaframma dell'obiettivo installato dall'elenco a discesa e fare clic su **OK**.

Per modificare la configurazione del diaframma per obiettivi P-Iris non presenti nell'elenco a discesa:

1. Scaricare il file di configurazione del diaframma da [www.axis.com](http://www.axis.com)
2. Andare su **Setup > Video and Audio > Camera Settings (Configurazione > Video e audio > Impostazioni telecamera)**. **Iris configuration (Configurazione diaframma)** mostra il tipo di diaframma attualmente configurato.



3. In **Iris configuration (Configurazione diaframma)**: Fare clic su **Edit (Modifica)**.
4. Andare alla scheda **Upload (Caricamento)**.
5. Fare clic su **Browse (Sfogliare)** e selezionare il file di configurazione.
6. Fare clic su **Upload (Caricamento)**. Il diaframma dell'obiettivo installato deve essere ora incluso nell'elenco a discesa **Iris Selection (Selezione diaframma)**.
7. Selezionare il diaframma dell'obiettivo installato dall'elenco a discesa e fare clic su **OK**.

## Ripristino dei valori predefiniti di fabbrica

### Importante

Il ripristino delle impostazioni di fabbrica deve essere usato con cautela. Un ripristino delle impostazioni di fabbrica consentirà di ripristinare le impostazioni di fabbrica per tutti i parametri, incluso l'indirizzo IP.

### Nota

Gli strumenti per l'installazione e la gestione del software sono disponibili nelle pagine dedicate all'assistenza sul sito Web [www.axis.com/techsup](http://www.axis.com/techsup).

Per ripristinare il dispositivo alle impostazioni predefinite di fabbrica:

1. Scollegare l'alimentazione dal dispositivo.
2. Tenere premuto il pulsante di controllo e ricollegare l'alimentazione. Consultare *Panoramica dell'hardware alla pagina 62*.
3. Tenere premuto il pulsante di controllo per 15-30 secondi fino a quando l'indicatore LED di stato lampeggerà in giallo.
4. Rilasciare il pulsante di comando. Il processo è completo quando il LED di stato diventerà verde. Il dispositivo è stato reimpostato alle impostazioni di fabbrica predefinite. Se nessun server DHCP è disponibile in rete, l'indirizzo IP predefinito è 192.168.0.90.
5. Mediante gli strumenti per l'installazione e la gestione del software, assegnare un indirizzo IP, impostare la password e accedere al flusso video.
6. Ripetere la messa a fuoco del dispositivo.

È anche possibile reimpostare i parametri alle impostazioni predefinite di fabbrica mediante l'interfaccia Web. Andare a **Setup > System Options > Maintenance (Configurazione > Opzioni di sistema > Manutenzione)**.

## Ulteriori Informazioni

Per la versione più recente di questo documento, visitare il sito all'indirizzo [www.axis.com](http://www.axis.com)

Il Manuale per l'utente è disponibile all'indirizzo [www.axis.com](http://www.axis.com)

## AXIS Q1604 Network Camera

---

Visitare il sito all'indirizzo [www.axis.com/techsup](http://www.axis.com/techsup) per verificare se sono stati pubblicati aggiornamenti del firmware per il proprio dispositivo di rete. Per conoscere la versione del firmware installata, andare su **Setup > About (Impostazioni > Informazioni su)**.

Visitare il centro di apprendimento Axis alla pagina [www.axis.com/academy](http://www.axis.com/academy) per servizi di formazione utili, webinar, tutorial e guide.

### Informazioni sulla garanzia

Per informazioni sulla garanzia del dispositivo Axis e informazioni ad esso relative, consultare la pagina [www.axis.com/warranty/](http://www.axis.com/warranty/)

## Información de seguridad

Lea esta Guía de instalación con atención antes de instalar el producto. Guarde la Guía de instalación para poder consultarla en otro momento.

### Niveles de peligro

#### **▲PELIGRO**

Indica una situación peligrosa que, si no se evita, provocará lesiones graves o la muerte.

#### **▲ADVERTENCIA**

Indica una situación peligrosa que, si no se evita, puede provocar lesiones graves o la muerte.

#### **▲ATENCIÓN**

Indica una situación peligrosa que, si no se evita, puede provocar lesiones moderadas o leves.

#### **AVISO**

Indica una situación peligrosa que, si no se evita, puede provocar daños materiales.

### Otros niveles de mensaje

#### Importante

Indica información importante que es fundamental para que el producto funcione correctamente.

#### Nota

Indica información útil que ayuda a aprovechar el producto al máximo.

## Instrucciones de seguridad

### **AVISO**

- El producto de Axis debe utilizarse de acuerdo con la legislación y la normativa locales.
- Para usar el producto de Axis en exteriores, o en entornos similares, debe instalarse en una carcasa exterior aprobada.
- Almacene el producto de Axis en un entorno seco y ventilado.
- Evite la exposición del producto de Axis a choques o a una fuerte presión.
- No instale el producto en soportes, superficies o paredes inestables.
- Utilice solo las herramientas correspondientes cuando instale el producto de Axis. La aplicación de una fuerza excesiva con herramientas eléctricas puede provocar daños en el producto.
- No utilice limpiadores en aerosol, agentes cáusticos ni productos químicos.
- Limpie con un paño limpio humedecido con agua pura.
- Utilice solo accesorios que cumplan con las especificaciones técnicas del producto. Estos accesorios los puede proporcionar Axis o un tercero.
- Utilice solo piezas de repuesto proporcionadas o recomendadas por Axis.
- No intente reparar el producto usted mismo. Póngase en contacto con el servicio de asistencia técnica de Axis o con su distribuidor de Axis para tratar asuntos de reparación.
- La fuente de alimentación se enchufará a una toma de conector instalada cerca del producto y a la que se podrá acceder fácilmente.

## Transporte

### **AVISO**

- Cuando transporte el producto de Axis, utilice el embalaje original o un equivalente para evitar daños en el producto.

## Batería

Un nivel bajo de batería afectará al funcionamiento del reloj en tiempo real, lo que provocará el restablecimiento de este cada vez que se encienda el producto. Cuando sea necesario sustituir la batería, aparecerá un mensaje de registro en el informe del servidor del producto. Para obtener más información sobre el informe del servidor, consulte las páginas de configuración del producto o póngase en contacto con el servicio de asistencia técnica de Axis.

La batería no debe sustituirse a menos que sea necesario; no obstante, si precisa hacerlo, póngase en contacto con el servicio de asistencia técnica de Axis en [www.axis.com/techsup](http://www.axis.com/techsup) para solicitar ayuda.

## **⚠ADVERTENCIA**

- La sustitución incorrecta de la batería implica riesgo de explosión.
- Sustituya la batería por una batería idéntica u otra batería recomendada por Axis.
- Deseche las baterías usadas de conformidad con la normativa local o las instrucciones del fabricante.



## Guía de instalación

Esta Guía de instalación incluye las instrucciones necesarias para instalar la cámara de red AXIS Q1604 en su red. Para conocer otros aspectos de uso del producto, consulte el Manual del usuario disponible en [www.axis.com](http://www.axis.com)

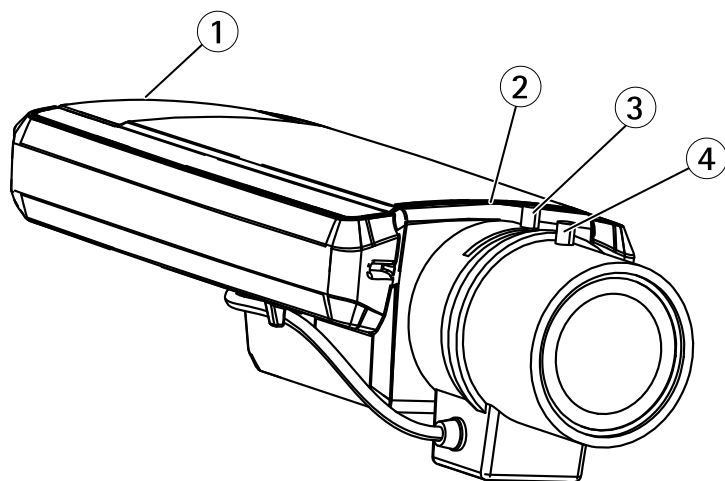
### Pasos de la instalación

1. Asegúrese de que dispone del contenido del paquete, las herramientas y los demás materiales necesarios para la instalación. *Vea página 79.*
2. Estudie la información general del hardware. *Vea página 80.*
3. Estudie las especificaciones. *Vea página 85.*
4. Instale el hardware. *Vea página 87.*
5. Acceda al producto. *Vea página 89.*
6. Establezca el enfoque. *Vea página 88.*

### Contenido del paquete

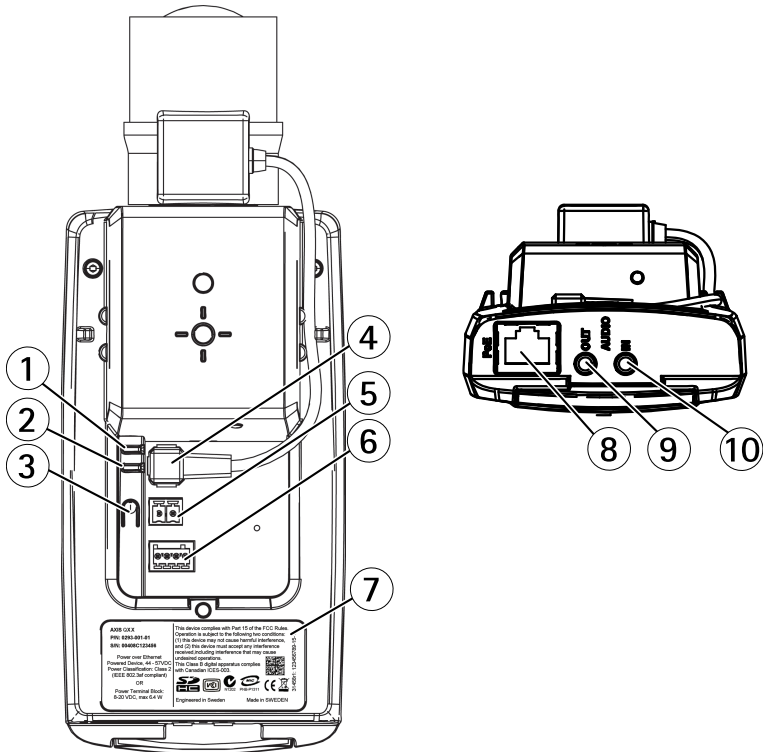
- Cámara de red AXIS Q1604
- Soporte de la cámara
- Conector del bloque de alimentación: Bloque de conector de dos pines para entrada de alimentación
- Conector del bloque de terminales: Bloque de conectores de cuatro pines para conectar dispositivos externos al conector de terminales de E/S
- Materiales impresos
  - Guía de instalación (este documento)
  - Etiquetas adicionales con el número de serie (2x)
  - Clave de autenticación AVHS

### Información general del hardware



- 1 *Ranura para tarjetas SD*
- 2 *LED de estado*
- 3 *Palanca de zoom*
- 4 *Palanca de enfoque*





- 1 LED de alimentación
- 2 LED de red
- 3 Botón de control
- 4 Conector de iris
- 5 Conector de alimentación\*
- 6 Conector del terminal de E/S
- 7 Número de producto (N/P) y número de serie (N/S)
- 8 Conector de red
- 9 Salida de audio
- 10 Entrada de audio

\* No utilizada para variantes para exteriores.

## Indicadores LED

### Nota

- Se puede configurar el LED de estado para que se apague durante el funcionamiento normal. Para ello, vaya a **Setup > System Options > Ports & Devices > LED (Configuración > Opciones del sistema > Puertos y dispositivos > LED)**. Vea la ayuda en línea para obtener más información.
- Se puede configurar el LED Estado para que parpadee mientras haya un evento activo.
- Se puede configurar el LED de estado para que parpadee e identifique la unidad. Vaya a **Setup > System Options > Maintenance (Configuración > Opciones del sistema > Mantenimiento)**.

LED de estado	Indicación
Verde	Verde fijo para indicar un funcionamiento normal.
Ámbar	Fijo durante el inicio y al restaurar valores de configuración.
Rojo	Parpadea en rojo si se produce un error durante la actualización del firmware.

LED de red	Indicación
Verde	Fijo para indicar una conexión a una red de 100 Mbits/s. Parpadea cuando hay actividad de red.
Ámbar	Fijo para indicar una conexión a una red de 10 Mbits/s. Parpadea cuando hay actividad de red.
Apagado	No hay conexión a la red.

LED de alimentación	Indicación
Verde	Funcionamiento normal.
Ámbar	Parpadea en verde/ámbar durante la actualización del firmware.

## Comportamiento del indicador LED de estado del Asistente de Enfoque

Color	Indicación
Verde	El Asistente de Enfoque está activado. El ajuste del objetivo es óptimo.
Ámbar	La cámara se ha movido o se ha colocado algún objeto delante del objetivo. Salga y reinicie el Asistente de Enfoque. El ajuste del objetivo es menos óptimo.
Rojo	La cámara se ha movido o se ha colocado algún objeto delante del objetivo. Salga y reinicie el Asistente de Enfoque. El ajuste del objetivo es pobre.

## Conectores y botones

Para conocer las especificaciones y las condiciones de funcionamiento, vea *página 85*.

### Conector de red

Conector Ethernet RJ45 con alimentación a través de Ethernet (PoE).

#### **AVISO**

El producto se conectará mediante un cable de red blindado (STP). Todos los cables que conecten el producto a la red deberán estar blindados para su uso específico. Asegúrese de que los dispositivos de red estén instalados en conformidad con las instrucciones del fabricante. Para obtener información sobre los requisitos normativos, vea *Electromagnetic Compatibility (EMC) on page 2*.

### Conector de E/S

Se utiliza con dispositivos externos combinados, por ejemplo, con alarmas antimanipulación, detección de movimiento, activación de eventos, grabación de intervalos de tiempo y notificaciones de alarma. Además del punto de referencia de 0 V CC y la potencia (salida de CC), el conector de E/S ofrece la interfaz para:

- **Salida digital:** para conectar dispositivos externos como relés y LED. Los dispositivos conectados se pueden activar mediante la Interfaz de programación de aplicaciones (API) VAPIX®, los botones de salida de la página Live View o mediante una regla de acción. La salida se mostrará activa (se indica en **System Options > Ports & Devices (Opciones del sistema > Puertos y dispositivos)**) si el dispositivo de alarma está activado.
- **Entrada digital:** una entrada de alarma para conectar dispositivos que puedan alternar circuitos cerrados y abiertos, como detectores PIR, contactos de puertas y ventanas, detectores de rotura de cristales, etc. Cuando se recibe una señal, el estado cambia y la entrada se vuelve activa (se indica en **System Options > Ports & Devices (Opciones del sistema > Puertos y dispositivos)**).

# AXIS Q1604 Network Camera

---

## Conector de audio

El producto de Axis integra los siguientes conectores de audio:

- **Entrada de audio (rosa):** entrada de 3,5 mm para micrófono mono, o entrada de línea de señal mono.
- **Salida de audio (verde):** salida para audio (nivel de línea) de 3,5 mm que se puede conectar a un sistema de megafonía pública o a un altavoz con amplificador incorporado. Debe utilizarse un conector estéreo para la salida de audio.

En el caso de la entrada de audio, se utiliza el canal izquierdo de una señal estéreo.

## Ranura para tarjetas SD

### **AVISO**

- Riesgo de daños en la tarjeta SD. No utilice herramientas afiladas ni ejerza demasiada fuerza al insertar o retirar la tarjeta SD.
- Riesgo de pérdida de datos. Antes de retirar la tarjeta SD, es preciso desmontarla para evitar que los datos resulten dañados. Para desmontarla, vaya a **Setup > System Options > Storage > SD Card (Configuración > Opciones del sistema > Almacenamiento > Tarjeta SD)** y haga clic en **Unmount (Desmontar)**.

Este producto admite tarjetas SD/SDHC/SDXC (no incluidas).

Para conocer las recomendaciones de tarjeta SD, consulte [www.axis.com](http://www.axis.com).

## Botón de control

Para conocer la ubicación del botón de control, vea *Información general del hardware en la página 80*.

El botón de control se utiliza para lo siguiente:

- Activar el Asistente de Enfoque. Pulse y suelte rápidamente el botón de control
- Restablecer el producto a la configuración predeterminada de fábrica. Consulte *página 91*.
- Conectarse a un servicio AXIS Video Hosting System o al Servicio de DNS dinámico de Internet de AXIS. Para obtener más información sobre estos servicios, consulte el Manual del usuario.

## Especificaciones

Producto	Temperatura	Humedad
AXIS Q1604	De 0 °C a 50 °C	Humedad relativa del 10 al 85 % (sin condensación)

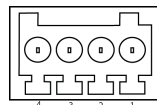
## Consumo

Producto	PoE	CC
AXIS Q1604	Alimentación a través de Ethernet IEEE 802.3af/802.3at Tipo 1 Clase 3, máx. 6,9 W	8-20 V CC

## Conectores

### Conector de E/S

Bloque de terminales de 4 pines



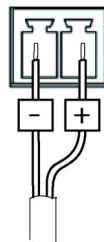
Para ver un ejemplo del diagrama, consulte *Diagramas de conexión en la página 87*.

Función	Pin	Notas	Especificaciones
0 V CC (-)	1		
Salida de CC	2	Se puede utilizar para conectar el equipo auxiliar. Nota: Este pin se puede usar solo como salida.	3,3 V CC Carga máx. = 50 mA
Entrada digital	3	Conéctela al pin 1 para activarla, o bien déjela suelta (desconectada) para desactivarla.	0 a 40 V CC máx.
Salida digital	4	Conectada al pin 1 cuando se activa y suelta (sin conectar) cuando está desactivada. Si se utiliza con una carga inductiva (por ejemplo, un relé), debe conectarse un diodo en paralelo a la carga como protección ante transitorios de tensión.	De 0 a 40 V CC máx., drenaje abierto, 100 mA

# AXIS Q1604 Network Camera

## Conector de alimentación

Bloque de terminales de 2 pines para la entrada de alimentación de CC. Use una fuente de alimentación limitada (LPS) que cumpla los requisitos de tensión muy baja de seguridad (SELV) con una potencia nominal de salida limitada a  $\leq 100$  W o una corriente nominal de salida limitada a  $\leq 5$  A.



## Conector de audio

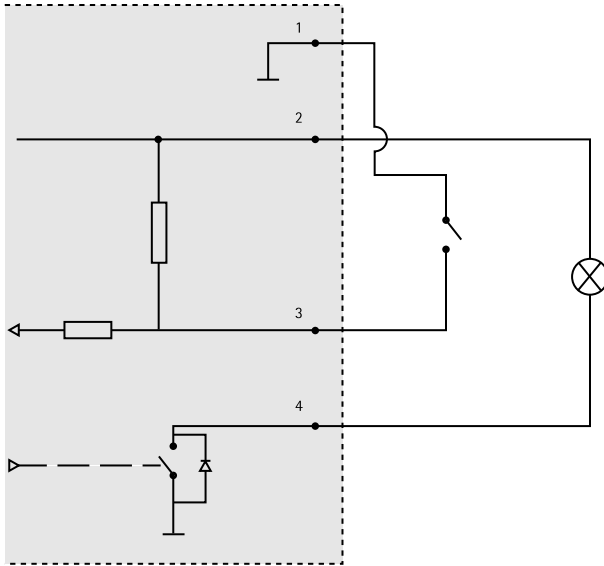
Conectores de audio de 3,5 mm (estéreo)



	1 Punta	2 Anillo	3 Manguito
Entrada de audio	Entrada de línea/micrófono		Tierra
Salida de audio	Salida de línea (mono)		Tierra

## Diagramas de conexión

### Conector de E/S



- 1 0 V CC (-)
- 2 Salida de CC: 3,3 V, 50 mA máx.
- 3 Entrada digital: de 0 a 40 V CC máx.
- 4 Salida digital: de 0 a 40 V CC máx., colector abierto, 100 mA

## Instalación del hardware

### Conexión de los cables

1. Si es necesario, conecte dispositivos de entrada/salida externos, como dispositivos de alarma. Para obtener información sobre los pines del conector del terminal, vea *página 85*.
2. Si es necesario, conecte un altavoz activo y/o un micrófono externo.
3. Conecte la cámara a la red mediante un cable de red blindado.
4. Conecte la alimentación utilizando uno de los métodos enumerados a continuación:
  - Alimentación a través de Ethernet (PoE) El sistema detecta automáticamente la alimentación PoE cuando se conecta el cable de red.

- Conecte un adaptador de corriente externo al bloque del conector de alimentación. Para obtener información sobre el cableado, vea *página 85*.
5. Compruebe que los indicadores LED indican las condiciones correctas. Vea *Indicadores LED en la página 82*.

## Ajuste de enfoque

Para ajustar el zoom y el enfoque, siga las instrucciones detalladas a continuación:

### Nota

- Antes de iniciar el ajuste preciso automático, establezca el enfoque con la mayor precisión posible con la ayuda de la palanca de enfoque o el Asistente de Enfoque. Generalmente, los mejores resultados se obtienen con la palanca de enfoque.
  - Durante el enfoque, el iris debe estar abierto al máximo en todo momento. Con esto se consigue la menor profundidad de campo posible y, por tanto, las condiciones óptimas para el enfoque correcto.
1. Abra la página inicial del producto y vaya a **Setup (Configuración) > Basic Setup (Configuración básica) > Focus (Enfoque)**.
  2. En la pestaña **Basic (Básica)**, haga clic en **Open iris (Abrir iris)**. Si el botón no está activo, esto significa que el iris ya está abierto.
  3. Si el enfoque se ha establecido en alguna ocasión anterior, haga clic en **Reset (Restablecer)** para restablecer el enfoque anterior.
  4. Afloje las palancas de zoom y enfoque (vea *Información general del hardware en la página 80*) del objetivo girándolas en el sentido contrario a las agujas del reloj. Mueva las palancas para establecer el zoom y el enfoque y compruebe la calidad de la imagen en la ventana de imagen.  
Si la cámara está montada de manera que no es posible mirar la imagen y mover las palancas al mismo tiempo, utilice el Asistente de enfoque en lugar de las palancas.
  5. Apriete de nuevo las palancas de zoom y enfoque.
  6. En la página de enfoque, haga clic en **Fine-tune focus automatically (Ajustar el enfoque automáticamente)** y espere a que el ajuste preciso automático finalice.
  7. Haga clic en **Enable iris (Activar iris)**. Si el botón no está activo, esto significa que el iris ya está activado.
  8. En caso necesario, realice ajustes adicionales en la pestaña **Advanced (Avanzada)**. Vea la ayuda en línea para obtener más información.

## Asistente de Enfoque

Para enfocar con la ayuda del Asistente de Enfoque, siga las instrucciones de los pasos 1 a 3 descritos en *página 88* antes de iniciar la secuencia de pasos detallada a continuación.



## Nota

- La vista delante de la cámara no debe cambiar durante el ajuste del enfoque (pasos 5 y 6). Si la cámara se mueve, o si se coloca un dedo u otro objeto delante del objetivo, será preciso repetir los pasos 3 a 7.
  - Si no es posible evitar el movimiento delante de la cámara, el Asistente de enfoque no debe utilizarse.
  - Si el botón de control no se suelta en dos segundos, se activará el Servicio DNS dinámico de AXIS en lugar del Asistente de Enfoque.
  - Si la cámara está montada de manera que no es posible acceder al botón de control, todavía se puede utilizar el Asistente de Enfoque. En tal caso, siga las instrucciones pero monte la cámara después del paso 4, en esta ocasión presionando el botón de control, y omita el paso 7.
1. Monte o coloque la cámara de modo que no pueda moverse.
  2. Afloje la palanca de zoom girándola en el sentido contrario a las agujas del reloj. Mueva la palanca para establecer el nivel de zoom. Apriete de nuevo la palanca de zoom.
  3. Ponga la cámara en la posición máxima de enfoque lejano; para hacerlo, afloje la palanca de enfoque y gire el anillo de enfoque en el sentido de las agujas del reloj.
  4. Presione y suelte rápidamente el botón de control. Cuando el indicador de estado parpadea en verde, el Asistente de enfoque está activado. Si el indicador de estado parpadea en rojo o ámbar antes de que pueda ajustar el objetivo, omita el paso 7 para salir del Asistente de enfoque y repita los pasos 3 a 7.
  5. Gire lentamente el anillo de enfoque en el sentido contrario a las agujas del reloj hasta que se detenga.
  6. Por último, gire lentamente el anillo de enfoque en el sentido de las agujas del reloj hasta que el indicador de estado parpadee en verde o ámbar (no en rojo).
  7. Para salir del Asistente de Enfoque, presione y suelte rápidamente el botón de control. El Asistente de enfoque se desactiva automáticamente transcurridos 15 minutos.
  8. Apriete de nuevo la palanca de enfoque.
  9. Abra la página Live View (Vista en directo) en el explorador Web y compruebe la calidad de la imagen.
  10. Prosiga con los pasos 6 a 8 descritos en *página 88*.

## Acceso al producto

Se recomiendan AXIS IP Utility y AXIS Camera Management como métodos para buscar los productos de Axis en la red y asignarles direcciones IP en Windows®. Ambas aplicaciones son gratuitas y pueden descargarse de [www.axis.com/techsup](http://www.axis.com/techsup)

El producto se puede utilizar con la mayoría de los sistemas operativos y navegadores. Los navegadores recomendados son

- Internet Explorer® con Windows®
- Safari® con OS X®
- Chrome™ o Firefox® con otros sistemas operativos.

Para obtener más información sobre el uso del producto, consulte el Manual del usuario, disponible en [www.axis.com](http://www.axis.com).

## Sustitución del objetivo

### Nota

No es preciso reiniciar el producto después de cambiar el objetivo. No obstante, sí será preciso reiniciarlo en caso de cambio entre objetivos de iris de tipo P, tipo DC o fijo/manual. Para poder establecer el enfoque y la posición del objetivo, es necesario conectar el producto a la red.

Con este producto de Axis, es posible utilizar objetivos opcionales.

Para sustituir el objetivo:

1. Desconecte el cable del iris.
2. Desatornille el objetivo estándar.
3. Acople y atornille el nuevo objetivo.

### Nota

En caso de seleccionar un archivo de configuración de iris tipo DC para un iris de tipo P, aparecerá un mensaje de error a continuación del tipo de configuración de iris, en la página **Camera Settings** (Configuración de la cámara). Para los objetivos de iris de tipo DC personalizados, seleccione la opción de iris de tipo DC genérico.

Para cambiar la configuración del iris:

1. Vaya a **Setup > Video and Audio > Camera Settings** (Configuración > Vídeo y audio > Configuración de la cámara). En **Iris configuration** (Configuración de iris) se muestra el tipo de iris configurado en ese momento.
2. Haga clic en **Edit** (Modificar).
3. En la lista desplegable, seleccione el objetivo de iris instalado y haga clic en **OK** (Aceptar).

Para cambiar la configuración del iris de los objetivos de iris de tipo P que no figuren en la lista desplegable:

1. Descargue el archivo de configuración de iris de [www.axis.com](http://www.axis.com)
2. Vaya a **Setup > Video and Audio > Camera Settings** (Configuración > Vídeo y audio > Configuración de la cámara). En **Iris configuration** (Configuración de iris) se muestra el tipo de iris configurado en ese momento.
3. En **Iris configuration** (Configuración de iris): Haga clic en **Edit** (Modificar).

4. Vaya a la pestaña **Upload (Cargar)**.
5. Haga clic en **Browse (Examinar)** y seleccione el archivo de configuración correspondiente.
6. Haga clic en **Upload (Cargar)**. A continuación, el objetivo de iris instalado debería figurar en la lista desplegable **Iris Selection (Selección de iris)**.
7. En la lista desplegable, seleccione el objetivo de iris instalado y haga clic en **OK (Aceptar)**.

## Restablecimiento a la configuración predeterminada de fábrica

### Importante

Hay que tener cuidado al restablecer la configuración predeterminada de fábrica. Todos los valores, incluida la dirección IP, se restablecerán a la configuración predeterminada de fábrica.

### Nota

Las herramientas del software de instalación y gestión están disponibles en las páginas de asistencia técnica en [www.axis.com/techsup](http://www.axis.com/techsup).

Para restablecer el producto a la configuración predeterminada de fábrica:

1. Desconecte la alimentación del producto.
2. Mantenga pulsado el botón de control y vuelva a conectar la alimentación. Vea *Información general del hardware en la página 80*.
3. Mantenga pulsado el botón de control durante 15–30 segundos hasta que el indicador LED de estado parpadee en ámbar.
4. Suelte el botón de control. El proceso finaliza cuando el indicador LED de estado se pone verde. El producto se ha restablecido a la configuración predeterminada de fábrica. Si no hay ningún servidor DHCP disponible en la red, la dirección IP predeterminada es 192.168.0.90.
5. Utilice las herramientas del software de instalación y gestión para asignar una dirección IP, establecer la contraseña y acceder a la transmisión de vídeo.
6. Vuelva a enfocar el producto.

También es posible restablecer los parámetros a los valores predeterminados de fábrica mediante la interfaz web. Para ello, vaya a **Setup > System Options > Maintenance (Configuración > Opciones del sistema > Mantenimiento)**.

## Más información

Para consultar la versión más reciente de este documento, vaya a [www.axis.com](http://www.axis.com)

El Manual de usuario se encuentra disponible en [www.axis.com](http://www.axis.com).

# AXIS Q1604 Network Camera

---

Visite [www.axis.com/techsup](http://www.axis.com/techsup) para comprobar si existe un firmware actualizado disponible para su producto de red. Para ver la versión del firmware instalado actualmente, vaya a **Setup > About (Configuración > Acerca de)**.

Visite el centro de aprendizaje de [www.axis.com/academy](http://www.axis.com/academy) para consultar guías, tutoriales, seminarios web y cursos que pueden resultarle útiles.

## Información de garantía

Para obtener más detalles sobre la garantía del producto de Axis y la información relacionada con ella, consulte [www.axis.com/warranty/](http://www.axis.com/warranty/)

## 安全情報

本製品を設置する前に、このインストールガイドをよくお読みください。インストールガイドは、後で参照できるように保管しておいてください。

## 危険レベル

### ▲危険

回避しない場合、死亡または重傷につながる危険な状態を示します。

### ▲警告

回避しない場合、死亡または重傷につながるおそれのある危険な状態を示します。

### ▲注意

回避しない場合、軽傷または中程度の怪我につながるおそれのある危険な状態を示します。

### 注記

回避しない場合、器物の破損につながるおそれのある状態を示します。

## その他のメッセージレベル

### 重要

製品を正しく機能させるために不可欠な重要情報を示します。

### 注意

製品を最大限に活用するために役立つ有用な情報を示します。

## 安全手順

### 注記

- 本製品は、お使いになる地域の法律や規制に準拠して使用してください。
- 本製品を屋外またはそれに準じる環境で使用する場合は、認定済みの屋外用筐体に収納して設置する必要があります。
- 本製品は乾燥した換気のよい環境に保管してください。
- 本製品に衝撃または強い圧力を加えないでください。
- 本製品を不安定なブラケット、表面、または壁に設置しないでください。
- 本製品を設置する際には、適切な工具のみを使用してください。電動工具を使用して過剰な力をかけると、製品が損傷することがあります。
- 化学薬品、腐食剤、噴霧式クリーナーは使用しないでください。
- 清掃には、きれいな水に浸した清潔な布を使用してください。
- 製品の技術仕様に準拠したアクセサリーのみを使用してください。これらのアクセサリーは、Axisまたはサードパーティから入手できます。
- Axisが提供または推奨する交換部品のみを使用してください。
- 製品を自分で修理しないでください。修理については、Axisサポートまたは販売代理店にお問い合わせください。
- 電源は、製品の近くで簡単に手の届く場所にあるコンセントに接続してください。

## 輸送

### 注記

- 本製品を運搬する際は、製品が損傷しないよう、元の梱包か同等の梱包を使用してください。

## バッテリー

バッテリーが低電力状態になると、RTCの動作に影響し、電源を入れるたびにRTCがリセットされます。バッテリーの交換が必要になると、製品のサーバーレポートにログメッセージが表示されます。サーバーレポートの詳細については、製品の設定ページを参照するか、Axisサポートまでお問い合わせください。

必要な場合以外はバッテリーを交換しないでください。バッテリーの交換が必要な場合は、Axisサポート ([www.axis.com/techsup](http://www.axis.com/techsup)) までご連絡ください。

## ▲警告

- バッテリーは、正しく交換しないと爆発する危険があります。
- 交換用バッテリーとしては、同一品またはAxisが推奨するバッテリーのみを使用してください。
- 使用済みバッテリーは、地域の規制またはバッテリーメーカーの指示に従って廃棄してください。





## インストールガイド

このインストールガイドでは、AXIS Q1604ネットワークカメラをお使いのネットワークにインストールする手順について説明します。製品の使用の詳細については、Axisのホームページ ([www.axis.com](http://www.axis.com)) でユーザズマニュアルを参照してください。

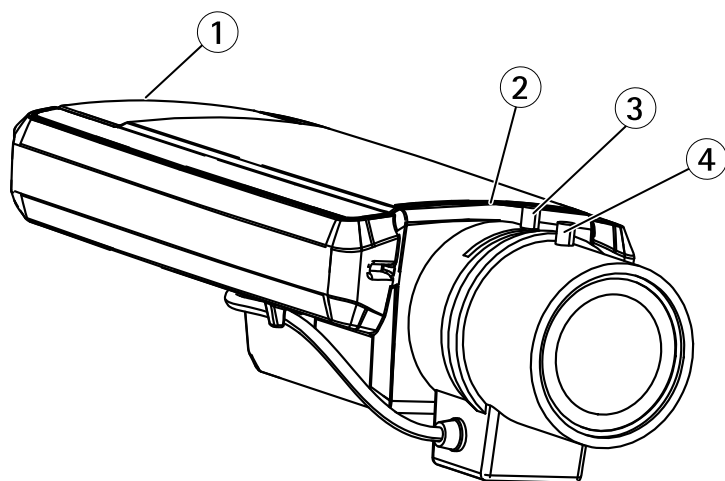
## 設置手順

1. パッケージの内容、ツールなど、設置に必要な物がそろっているかを確認します。97ページを参照してください。
2. ハードウェアの概要を確認します。98ページを参照してください。
3. 仕様を確認します。103ページを参照してください。
4. ハードウェアを設置します。105ページを参照してください。
5. 製品にアクセスします。107ページを参照してください。
6. フォーカスを設定します。106ページを参照してください。

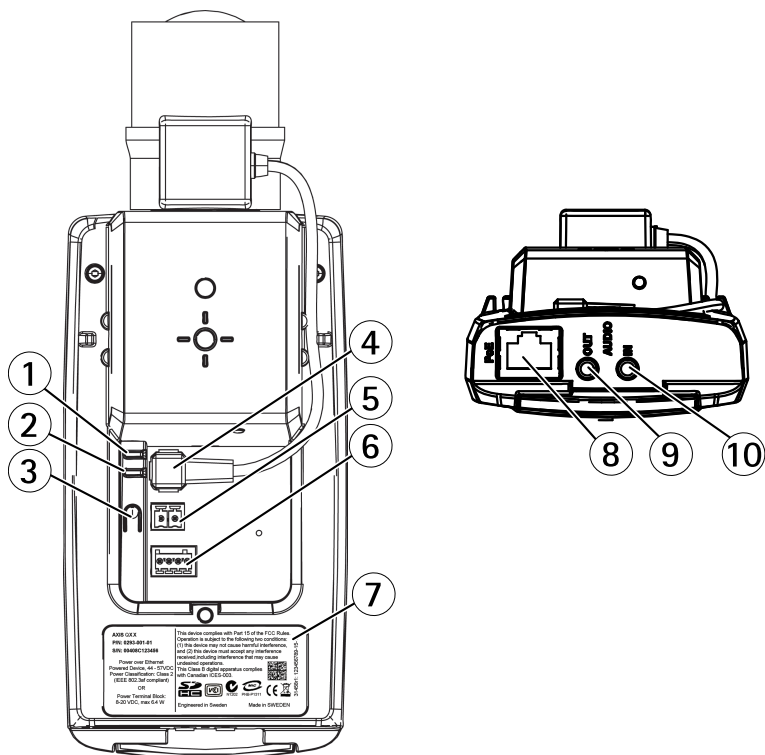
## パッケージの内容

- AXIS Q1604ネットワークカメラ
- カメラスタンド
- 電源ブロックコネクタ: 電源入力用の2ピンのターミナルコネクタ
- ターミナルブロックコネクタ: 外部デバイスをI/Oターミナルコネクタに接続する4ピンコネクタブロック
- 印刷物
  - インストールガイド (本書)
  - 予備のシリアル番号ラベル×2
  - AVHS認証キー

## ハードウェアの概要



- 1 SDカードスロット
- 2 ステータスLED
- 3 ズーム調節レバー
- 4 フォーカス調節レバー



- 1 電源LED
- 2 ネットワークLED
- 3 コントロールボタン
- 4 アイリスコネクター
- 5 電源コネクター\*
- 6 I/Oターミナルコネクター
- 7 製品番号 (P/N) およびシリアル番号 (S/N)
- 8 ネットワークコネクター
- 9 音声出力
- 10 音声入力

\* 屋外用モデルでは使用されません。

## LEDインジケータ

### 注意

- ステータスLEDは、正常動作時に消灯させることができます。設定は、**[Setup - System Options - Ports & Devices - LED] (設定 - システムオプション - ポートとデバイス - LED)**で行います。詳細については、オンラインヘルプを参照してください。
- ステータスLEDは、イベントの発生時に点滅させることができます。
- ステータスLEDを点滅させ、本製品を識別できるように設定することができます。設定は、**[Setup - System Options - Maintenance] (設定 - システムオプション - 保守)**で行います。

ステータスLED	説明
緑	正常動作であれば緑色に点灯します。
黄	起動時、設定の復元時に点灯します。
赤	ファームウェアのアップグレードに失敗すると、赤色で点滅します。

ネットワークLED	説明
緑	100 Mbit/sネットワークに接続している場合、点灯します。ネットワークパケットを送受信した場合、点滅します。
黄	10 Mbit/sネットワークに接続している場合、点灯します。ネットワークパケットを送受信した場合、点滅します。
無点灯	ネットワーク接続なし。

電源LED	説明
緑	正常動作。
黄	ファームウェアアップグレード中は緑と黄の交互点滅。

## フォーカスアシスタント用ステータスLEDの動作

色	説明
緑	フォーカスアシスタントが有効。 フォーカスの調整が適切に行われた状態。
黄	カメラが動いたか、レンズの前に物体が置かれました。フォーカスアシスタントを終了し、再度起動してください。 レンズの調節が最適ではありません。
赤	カメラが動いたか、レンズの前に物体が置かれました。フォーカスアシスタントを終了し、再度起動してください。 フォーカスの調整が適切に行われていない状態。

## コネクタとボタン

仕様と動作条件については、103ページを参照してください。

## ネットワークコネクタ

RJ45イーサネットコネクタ、Power over Ethernet (PoE) 対応。

### 注記

本製品は、シールドネットワークケーブル (STP) を使用して接続してください。本製品は、用途に合ったケーブルを使用してネットワークに接続してください。ネットワーク装置がメーカーの指示どおりに設置されていることを確認します。法的要件については、*Electromagnetic Compatibility (EMC) on page 2*を参照してください。

## I/Oコネクタ

外部装置を接続し、カメラに対するいたずらの警報、動体検知、イベントトリガー、低速度撮影、アラーム通知などを使用することができます。I/Oコネクタは、0V DC基準点と電力 (DC出力) に加えて、以下のインターフェースを提供します。

- デジタル出力** — リレーやLEDなどの外部デバイスを接続します。接続されたデバイスは、VAPIX®アプリケーションプログラミングインターフェース (API)、[Live View] (ライブビュー) ページの出力ボタン、アクションルールを使用してアクティブにすることができます。アラームデバイスがアクティブな場合、出力がアクティブと表示されます (**System Options > Port & Devices (システムオプション > ポートとデバイス)** で表示)。
- デジタル入力** — オープンサーキットとクローズサーキットの切り替えが可能なデバイスを接続するためのアラーム入力。たとえば、PIR、ドア/窓の接触、ガラス破壊検知などです。信号を受け取ると状態が変化し、入力が

# AXIS Q1604 Network Camera

activeになります (System Options > Ports & Devices (システムオプション) > ポートとデバイス) で表示)。

## 音声コネクタ

本製品は、以下の音声コネクタを搭載しています。

- **音声入力 (ピンク)** – モノラルマイクロフォンまたはライン入力モノラル信号用3.5 mm入力。
- **音声出力 (緑)** – 3.5 mm音声 (ラインレベル) 出力 (パブリックアドレス (PA) システムまたはアンプ内蔵アクティブスピーカーに接続可能)。音声出力には、ステレオコネクタを使用する必要があります。

音声入力には、ステレオ信号の左チャンネルが使用されます。

## SDカードスロット

### 注記

- SDカード損傷の危険があります。SDカードの挿入と取り外しの際には、鋭利な工具を使用したり、過剰な力をかけないでください。
- データ損失の危険があります。データが破損しないように、SDカードはマウント解除してから取り外す必要があります。SDカードをアンマウントするには、[Setup] (設定) > [System Options] (システムオプション) > [Storage] (ストレージ) > [SD Card] (SDカード) を選択し、[Unmount] (アンマウント) をクリックします。

本製品は、SD/SDHC/SDXCカードに対応しています (別売)。

推奨するSDカードについては、[www.axis.com](http://www.axis.com)を参照してください

## コントロールボタン

コントロールボタンの位置については、98ページの、ハードウェアの概要を参照してください。

コントロールボタンは、以下の用途で使用します。

- フォーカスアシスタントを有効にする。コントロールボタンを押して、すぐに離します
- 製品を工場出荷時の設定にリセットする。109ページを参照してください。
- AXIS Video Hosting SystemサービスまたはAXIS Internet Dynamic DNSサービスに接続する。これらのサービスの詳細については、ユーザーズマニュアルを参照してください。

## 仕様

製品	温度	湿度
AXIS Q1604	0 ° C ~ 50 ° C	10 ~ 85% RH (結露不可)

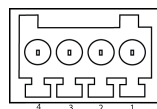
## 消費電力

製品	PoE	DC
AXIS Q1604	Power over Ethernet IEEE 802.3af/802.3at Type 1 Class 3、最大6.9 W	8 ~ 20 V DC

## コネクタ

### I/Oコネクタ

4ピンターミナルブロック



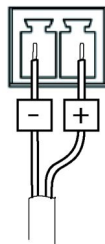
接続例の図については、105ページの、[接続図](#)を参照してください。

機能	ピン	備考	仕様
0 V DC (-)	1		
DC出力	2	補助装置の電源供給に使用できます。 注: このピンは、電源出力としてのみ使用できます。	3.3 V DC 最大負荷 = 50 mA
デジタル入力	3	動作させるにはピン1に接続し、動作させない場合はフロート状態 (未接続) のままにします。	0 ~ 40 V DC (最大)
デジタル出力	4	動作させるにはピン1に接続し、動作させない場合はフロート状態 (未接続) にします。誘導負荷 (例: リレー) とともに使用する場合は、過渡電圧から保護するため、ダイオードを負荷と並列に接続する必要があります。	0 ~ 40 V DC (最大)、 オープンドレイン、100 mA

# AXIS Q1604 Network Camera

## 電源コネクタ

DC電源入力用2ピンターミナルブロック。定格出力が100 W以下または5 A以下の安全特別低電圧 (SELV) に準拠した有限電源 (LPS) を使用してください。



## 音声コネクタ

3.5 mm 音声コネクタ (ステレオ)

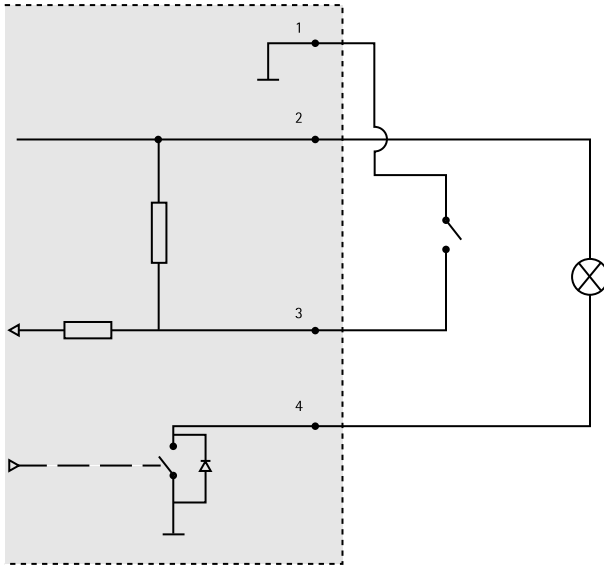


	1 チップ	2 リング	3 スリーブ
音声入力	マイクロフォン/ライン入力		グラウンド
音声出力	ライン出力 (モノラル)		グラウンド



## 接続図

### I/Oコネクタ



- 1 0 VDC (-)
- 2 DC出力3.3 V、最大50 mA
- 3 デジタル出力0~最大40 VDC
- 4 デジタル出力0~40 VDC(最大)、オープンドレイン、100 mA

## ハードウェアの設置

### ケーブルの接続

1. 必要に応じて、警報装置などの外部入力/出力装置を接続します。ターミナルコネクタのピンの詳細については、103ページを参照してください。
2. 必要に応じて、アクティブスピーカー、外部マイクを接続します。
3. シールドネットワークケーブルを使用して、カメラをネットワークに接続します。
4. 以下のどちらかの方法で、電源を接続します。
  - PoE (Power over Ethernet)。PoEは、ネットワークケーブルを接続すると自動的に検出されます。

- 外部電源アダプターを電源コネクタブロックに接続します。配線情報については、103ページを参照してください。
5. LEDインジケーターが正常な状態を示すことを確認します。100ページの、LEDインジケーターを参照してください。

## フォーカスの調節

ズームとフォーカスを調整するには、以下の手順に従います。

### 注意

- フォーカス調節レバーかフォーカスアシスタントを使用して、フォーカスをできるだけ正確に設定してから、自動微調整を開始します。通常は、フォーカス調節レバーを使用して、最適な結果を得ることができます。
  - フォーカスを合わせているときは、常に絞りを最大に開いておく必要があります。これにより被写界深度が最小となり、フォーカス補正に最適な条件になります。
1. 製品のホームページを開き、[Setup - Basic Setup - Focus] (設定 - 基本設定 - フォーカス) を選択します。
  2. [Basic] (ベーシック) タブで、[Open iris] (開く) をクリックします。絞りがすでに開いている場合、このボタンは使用できない状態になっています。
  3. 以前にフォーカスを設定している場合は、[Reset] (元に戻す) をクリックしてバックフォーカスのリセットを行います。
  4. レンズのズーム調節レバーとフォーカス調節レバー (98ページの、ハードウェアの概要を参照) を、反時計回りに回してゆるめます。レバーを動かしてズームとフォーカスを調節し、映像ウィンドウで画質を確認します。映像を見ながらレバーを動かせるようにカメラが設置されていない場合は、フォーカスアシスタントを使用します。
  5. ズーム調節レバーとフォーカス調節レバーを締め直します。
  6. [Focus] (フォーカス) ページで、[Fine-tune focus automatically] (オートフォーカス微調整) をクリックして、自動微調整の完了を待ちます。
  7. [Enable iris] (絞り有効) をクリックします。絞りがすでに有効な場合、このボタンは使用できない状態になっています。
  8. 必要に応じて、[Advanced] (高度な設定) タブでさらに調整を行います。詳細については、オンラインヘルプを参照してください。

## フォーカスアシスタント

フォーカスアシスタントを使用してフォーカスを合わせる場合は、以下の手順を開始する前に、106ページの手順1~3の指示にしたがってください。

## 注意

- フォーカス調節中 (手順5と6) はカメラの前の被写体が変わらないようにしてください。カメラが動いたり、レンズの前に指やその他の物体が入り込んだ場合は、下の手順3~7を繰り返す必要があります。
  - カメラの前で被写体が動いてしまう場合は、フォーカスアシスタントを使用しないでください。
  - コントロールボタンを2秒以上押し続けると、フォーカスアシスタントの代わりにAXIS Dynamic DNS Serviceが使用できるようになります。
  - コントロールボタンに手が届かない場所にカメラを設置する場合でも、フォーカスアシスタントを使用できます。手順4までは手順に従い、コントロールボタンを押してからカメラを設置し、手順7はスキップします。
1. カメラが動かないようにしっかりと固定します。
  2. ズーム調節レバーを反時計回りに回してゆるめます。レバーを動かしてズーム倍率を設定します。ズーム調節レバーを締め直します。
  3. フォーカス調節レバーをゆるめてフォーカスリングを時計方向にいっぱいまで回し、最も離れた位置にフォーカスを合わせます。
  4. コントロールボタンを押して、すぐに離します。ステータスLEDが緑色に点滅して、フォーカスアシスタントが有効になります。レンズの調節が可能になる前にステータスLEDが赤または黄色に点滅する場合は、手順7に従ってフォーカスアシスタントを終了してから、手順3~7を繰り返してください。
  5. フォーカスリングを反時計方向にいっぱいまでゆっくりと回します。
  6. 最後に、ステータスLEDが緑または黄色 (赤以外) に点滅するまでフォーカスリングを時計方向にゆっくりと回します。
  7. コントロールボタンを押し、フォーカスアシスタントを終了します。フォーカスアシスタントは15分後に自動的にオフになります。
  8. フォーカス調節レバーを締め直します。
  9. Webブラウザで [Live View] (ライブビュー) ページを開き、映像の質を確認します。
  10. 106ページの手順6~8に従います。

## 製品へのアクセス

ネットワーク上でAXIS製品を検索したり、Windows®でそれにIPアドレスを割り当てるには、AXIS IP UtilityまたはAXIS Camera Managementの使用をお勧めします。いずれのアプリケーションも無料で、[www.axis.com/techsup](http://www.axis.com/techsup)からダウンロードできます

本製品は、ほとんどのオペレーティングシステムとブラウザでご利用いただけます。推奨ブラウザは以下のとおりです。

- Internet Explorer® (Windows®の場合)
- Safari® (OS X®の場合)

- Chrome™またはFirefox® (その他のオペレーティングシステムの場合)  
製品の使用の詳細については、Axisのホームページ ([www.axis.com](http://www.axis.com)) でユーザーズマニュアルを参照してください

## レンズの交換

### 注意

レンズの交換後にカメラを再起動する必要はありません。ただし、PアイリスとDCアイリス、または固定絞りレンズと手動絞りレンズを入れ替えた場合には、再起動が必要になります。フォーカスの設定とレンズの位置合わせを行うには、カメラをネットワークに接続する必要があります。

本製品ではオプションのレンズの使用が可能です。

レンズを交換する手順は以下のとおりです。

1. アイリスケーブルを外します。
2. 標準のレンズのネジを外します。
3. 新しいレンズを取り付けます。

### 注意

Pアイリスレンズに対してDCアイリス設定ファイルを選択すると、**[Camera Settings] (カメラの設定)** ページの絞り設定タイプに、エラーメッセージが表示されます。DCアイリスレンズの場合は、**[Generic DC iris] (汎用DCアイリス)** オプションを選択してください。

絞りの設定を変更する手順は以下のとおりです。

1. **[Setup] (設定) - [Video and Audio] (ビデオと音声) - [Camera Settings] (カメラの設定)** を選択します。 **[Iris configuration] (絞り設定)** に、現在設定されている絞りのタイプが表示されています。
2. **[Edit] (編集)** をクリックします。
3. 装着されているアイリスレンズをドロップダウンリストから選択し、**[OK]** をクリックします。

ドロップダウンリストに表示されないPアイリスレンズの絞り設定を変更する手順は以下のとおりです。

1. [www.axis.com](http://www.axis.com) から絞り設定ファイルをダウンロードします。
2. **[Setup] (設定) - [Video and Audio] (ビデオと音声) - [Camera Settings] (カメラの設定)** を選択します。 **[Iris configuration] (絞り設定)** に、現在設定されている絞りのタイプが表示されています。
3. **[Iris configuration] (絞り設定)** で以下の手順を実行します。 **[Edit] (編集)** をクリックします。
4. **[Upload] (アップロード)** タブに移動します。

5. **[Browse] (参照)** をクリックして、設定ファイルを選択します。
6. **[Upload] (アップロード)** をクリックします。 **[Iris Selection] (絞りの選択)** ドロップダウンリストに、装着されているアイリスレンズが表示されます。
7. 装着されているアイリスレンズをドロップダウンリストから選択し、**[OK]** をクリックします。

## 工場出荷時の設定にリセットする

### 重要

工場出荷時の設定へのリセットは慎重に行ってください。工場出荷時の設定へのリセットを行うと、IPアドレスを含むすべての設定が工場出荷時の値にリセットされます。

### 注意

[www.axis.com/techsup](http://www.axis.com/techsup)のサポートページに、インストール・管理ソフトウェアツールが用意されています。

本製品を工場出荷時の設定にリセットするには、以下の手順を実行します。

1. 本製品の電源を切ります。
2. コントロールボタンを押し続けながら電源を再投入します。「98ページの、ハードウェアの概要」を参照してください。
3. ステータスLEDインジケータが黄色に点滅するまで、コントロールボタンを15～30秒間押し続けます。
4. コントロールボタンを離します。プロセスが完了すると、ステータスLEDが緑色に変わります。これで本製品は工場出荷時の設定にリセットされました。ネットワーク上に利用可能なDHCPサーバーがない場合、デフォルトのIPアドレスは192.168.0.90になります。
5. インストール・管理ソフトウェアツールを使用して、IPアドレスの割り当て、パスワードの設定、ビデオストリームへのアクセスを行います。
6. 本製品のフォーカスを調節します。

Webインターフェースを使用して、各種パラメーターを工場出荷時の設定に戻すこともできます。**[Setup - System Options - Maintenance] (設定 - システムオプション - 保守)** を選択します。

## 関連情報

本書の最新バージョンについては、[www.axis.com](http://www.axis.com)にアクセスしてください。

ユーザーズマニュアルは、[www.axis.com](http://www.axis.com)で入手できます。

## AXIS Q1604 Network Camera

---

[www.axis.com/techsupl](http://www.axis.com/techsupl)にアクセスして、ご使用のネットワーク製品の新しいファームウェアがリリースされていないかを確認してください。現在インストールされているファームウェアのバージョンを確認するには、**[Setup - About] (設定 - バージョン情報)**を参照してください。

Axisラーニングセンター ([www.axis.com/academy](http://www.axis.com/academy)) にアクセスしてください。役に立つトレーニング、ウェブセミナー、チュートリアル、ガイドをご用意しています。

### 保証情報

Axisの製品保証と関連情報については、[www.axis.com/warranty/](http://www.axis.com/warranty/)をご覧ください



