

AXIS Q2101-TE Thermal Camera

Repainting instructions

AXIS Q2101-TE Thermal Camera

Impact on warranty

Impact on warranty

This product is approved for repaint by Axis, provided that you follow the instructions in this document and at axis.com/warranty-implication-when-repainting.

Risks with repainting

There are several risks when disassembling or assembling an Axis product. There is always a certain yield loss during assembly. Training of operators and the use of correct tools mediates some of the problems but they can never be fully avoided. Some of the risks include:

ESD Damage – Always handle the product in an ESD safe environment. Even if precautions are taken there is always a risk of ESD damage. The damage can remain undetected and cause problems during the lifetime of the equipment.

Dust contamination – Opening a camera may expose the lens and sensor to dust or paint. Dust will affect the optical performance. Lenses need to be disassembled in a dust-free environment, preferably a cleanroom.

Paint overspray – Masking the different components of the equipment is critical. Failure to mask sensitive areas can cause problems with assembling the equipment. Any areas that are not painted at factory or have a different surface treatment than the rest of the parts (threads, ground and electrical contact surfaces) must also be masked to ensure function.

AXIS Q2101-TE Thermal Camera

Repaint the product

Repaint the product

Preparations

- If applicable, disassemble the device according to the instructions in this document.
- Clean all parts that will be repainted thoroughly to remove grease, dust, or oil.
- To ensure reassembly and functionality of the product, mask any openings (for example for screws, LED indicators, or microphones) before you paint.
- To avoid unwanted reflections, mask the inside of the weathershield before you paint.

Pretreatment of parts

Depending on the part material and type of paint applied at factory, different pretreatment should be done for the new paint to adhere as well as possible. Clean the parts properly to remove oil, grease and dust.

Powder coated parts – Use a primer. Alternatively, remove the original powder coating down to the base material, using fine sandpaper, and clean the parts before painting.

Anodised and chromated parts – Use a primer.

Uncoated stainless steel – No special pretreatment is needed, but make sure that the surface is clean before painting.

Plastic – Use a primer.

The materials used in this product are:

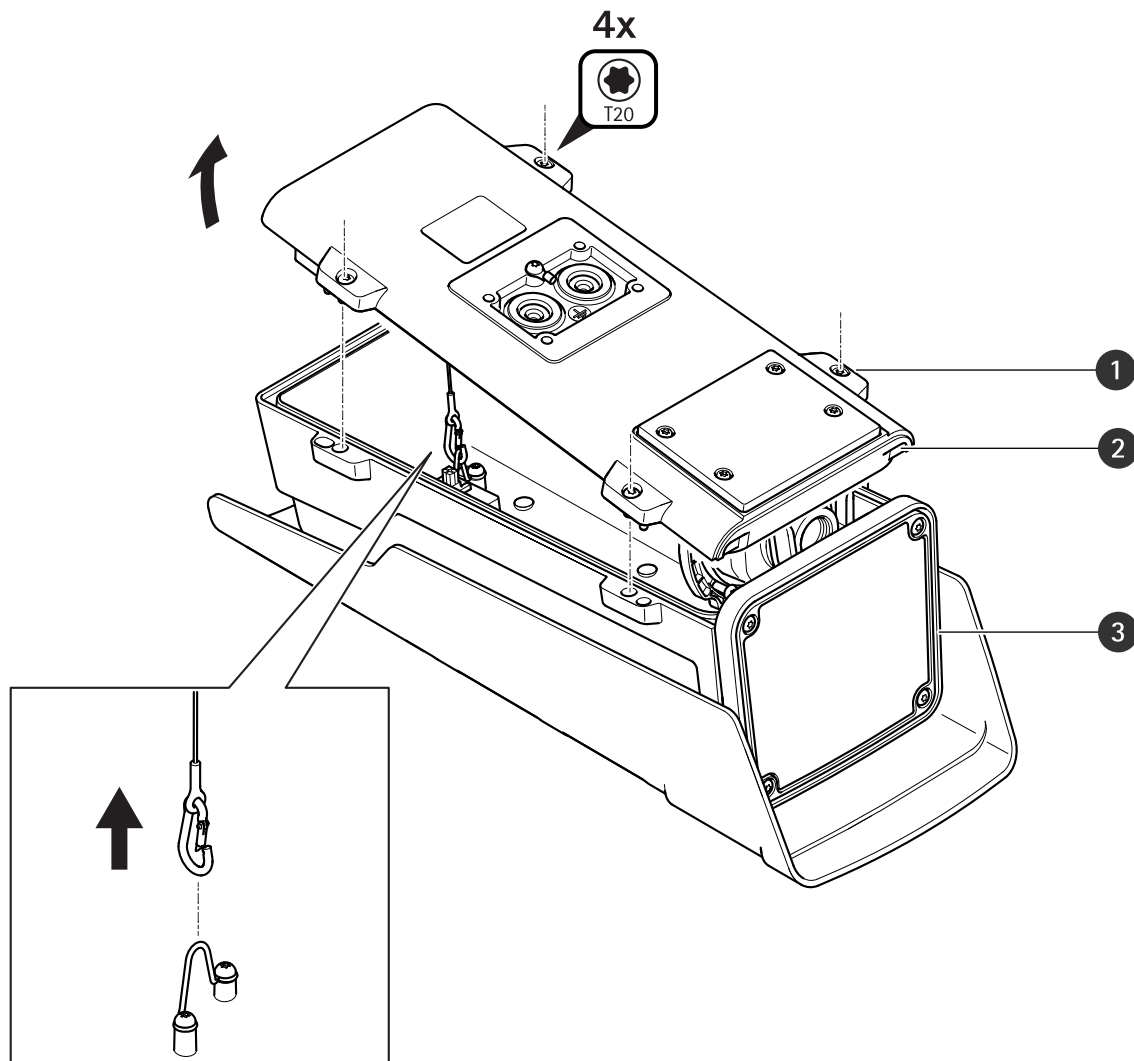
- Weathershield: plastic
- The rest of the chassis: powder coated

AXIS Q2101-TE Thermal Camera

Repaint the product

Disassembly

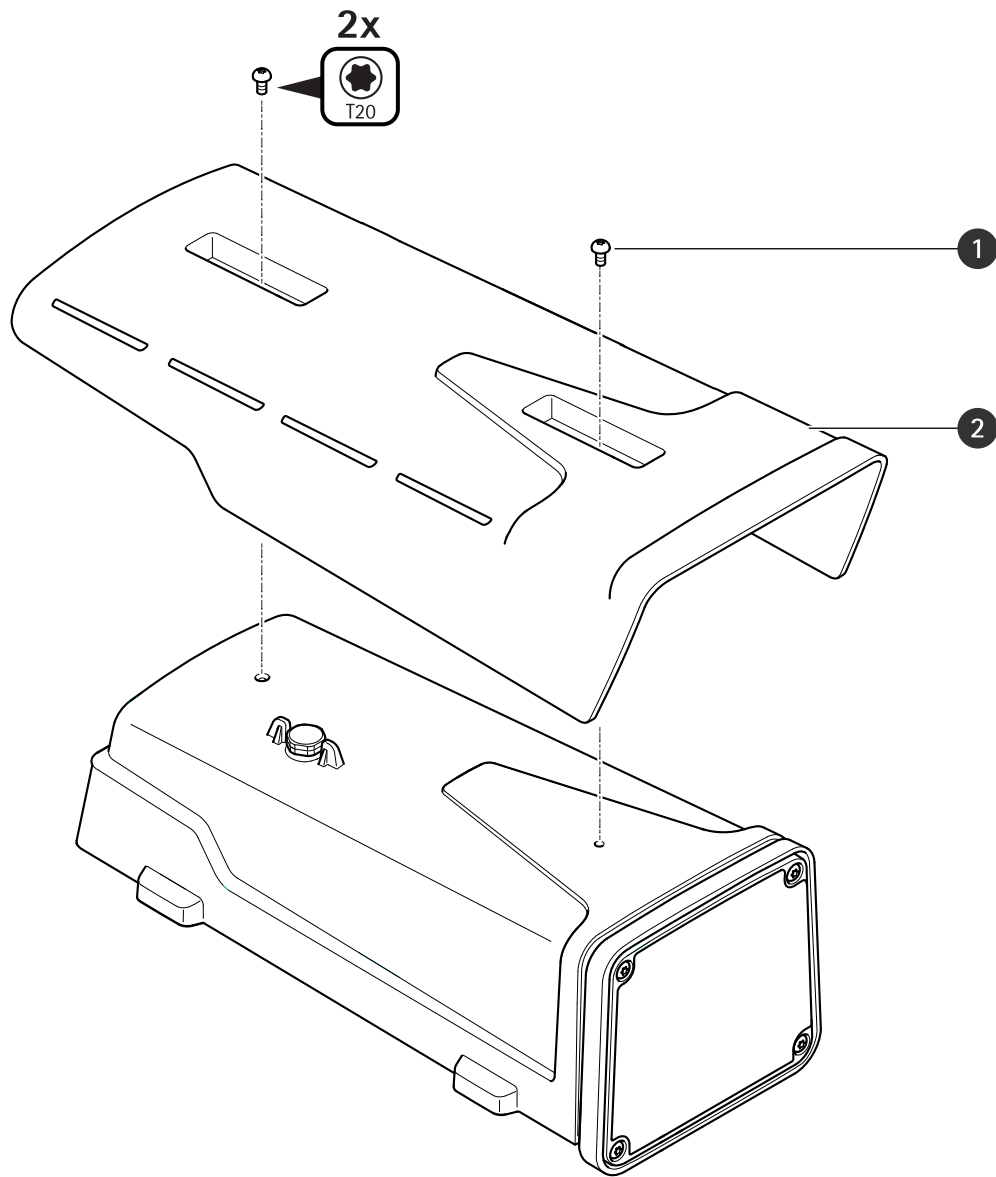
Disassemble the housing



1. Remove the bottom chassis from the top cover.

AXIS Q2101-TE Thermal Camera

Repaint the product



- 1 Screws (2x, T20)
- 2 Weathershield

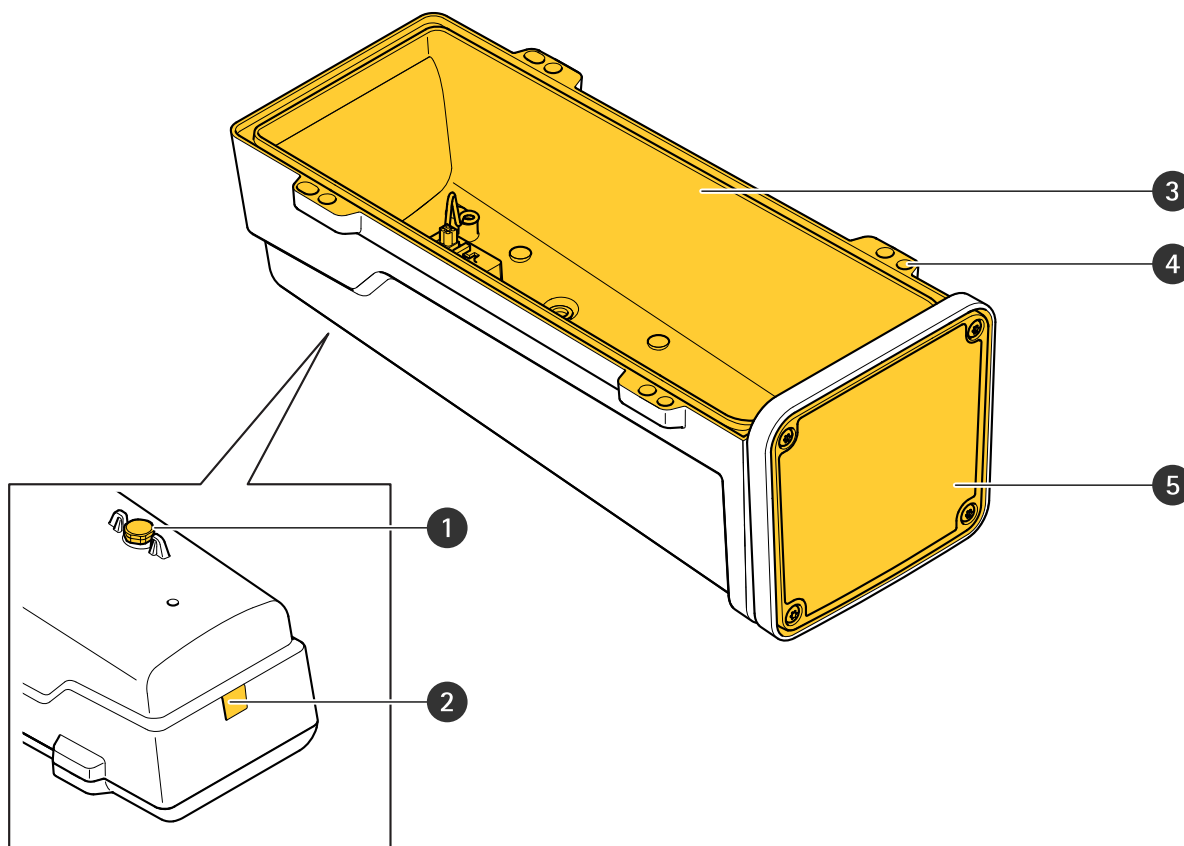
2. Remove the weathershield from the top cover.

AXIS Q2101-TE Thermal Camera

Repaint the product

Masking

Masking the top cover



- 1 Vent membrane
- 2 Label
- 3 Inside
- 4 Screw holes (4x)
- 5 Front window

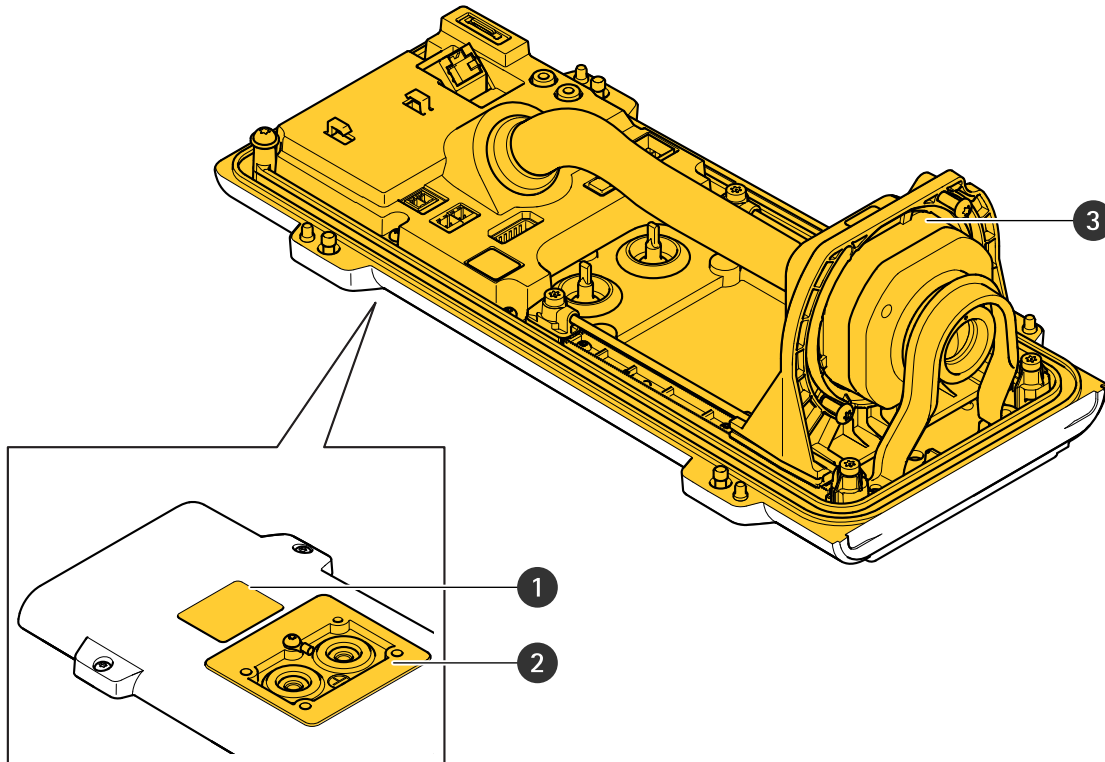
Mask the following parts of the top cover:

1. The vent membrane.
2. The label.
3. Everything on the inside including the sealing surface to the bottom chassis.
4. The screw holes.
5. The front window including the black areas.

AXIS Q2101-TE Thermal Camera

Repaint the product

Masking the bottom chassis



- 1 Label
- 2 Wall mount surface
- 3 Top side

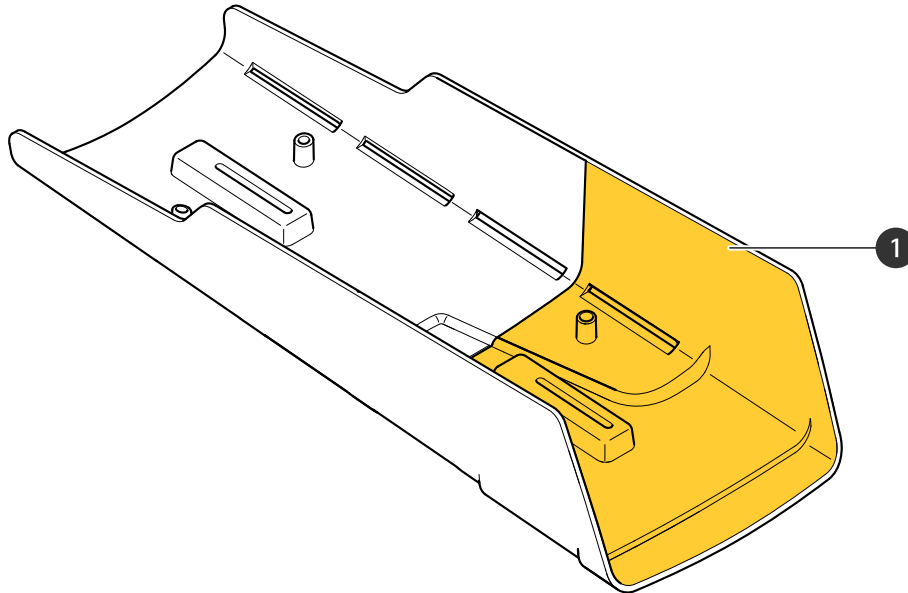
Mask the following parts of the bottom chassis:

1. The product label.
2. The surface under the adapter for the wall mount.
3. Everything on the top side of the bottom chassis, including the gasket and the four screw holes.
4. The four screw holes.

AXIS Q2101-TE Thermal Camera

Repaint the product

Masking the weathershield



1 Black

Mask the black part of the weathershield.

Repainting

1. Apply a thin and even layer of spray paint according to the instructions of the paint manufacturer.
2. Let the paint dry.
3. To get a better coverage and clearer color, apply a second layer of spray paint.
4. When the paint is dry, remove the masking and reassemble the product.

Reassembly

Reassemble the product according to the instructions in the installation guide available at axis.com.

