

# AXIS P85 Network Camera Series

## Discreet, eye-level cameras for identification



- > Discreet eye-level cameras for identification
- > Up to HDTV 1080p
- > Model with Wide Dynamic Range - Forensic Capture

AXIS P85 Series offers eye-level, pinhole cameras installed in a height strip housing for discreet, indoor video surveillance—ideal for retail, hotel and banking environments. For placement near exits of buildings, AXIS P85 cameras are positioned to look straight at a person's face for more reliable identification even when the person is wearing a hood or baseball cap.

The series comprises AXIS P8524 and AXIS P8535. AXIS P8524 provides HDTV 720p and a 57° horizontal field of view. The advanced AXIS P8535 offers HDTV 1080p, a wide 92° horizontal field of view and Wide Dynamic Range - Forensic Capture that enables superb performance in scenes with high-contrast lighting and low light.

AXIS P85 cameras have a rectangular form factor in black or silver with a height indicator in metric or imperial measurement. The sensor unit (lens and image

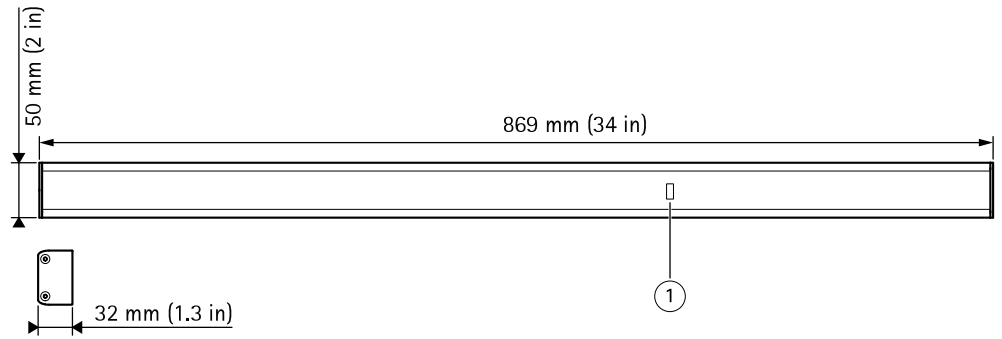
sensor) is mounted at a height of 170 cm in the metric model and 5.5 ft in the imperial version. The sensor unit has a cable for connection to the main unit, which can be placed out of public view.

AXIS P85 cameras support Power over Ethernet, and their viewing direction is easily adjustable. They enable local storage of recordings and connection to external devices. AXIS P8535 also supports audio and RS232 for integration of external data to the video.



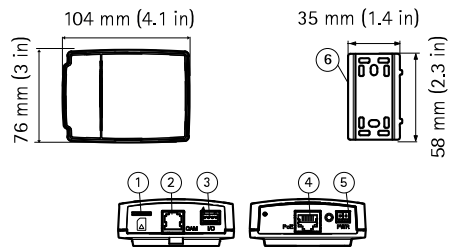
## Dimension - Height strip

1. Sensor unit is positioned at 170 cm (metric model) and 5.5 ft (imperial model) from the floor



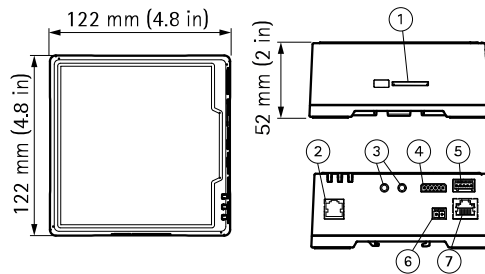
## Dimension - Main unit for AXIS P8524

1. microSD card slot
2. Camera connector
3. I/O
4. Network
5. Power
6. Mounting rail



## Dimension - Main unit for AXIS P8535

1. SD card slot
2. To sensor unit
3. Audio in/out
4. I/O
5. RS232
6. Power
7. Network



# Technical Specifications - AXIS P8524 Network Camera

<b>Models</b>	AXIS P8524: HDTV 720p in black/silver housing with metric/imperial height strip	<b>Event actions</b>	File upload: FTP, HTTP, network share and email Notification: email, HTTP and TCP External output activation Video recording to edge storage Pre- and post-alarm video buffering
<b>Camera</b>		<b>Built-in installation aids</b>	Pixel counter
<b>Image sensor</b>	1/4" progressive scan RGB CMOS	<b>Data streaming</b>	Event data
<b>Lens</b>	Fixed iris, fixed focus 3.7 mm: 57° view <sup>a</sup> , F2.5	<b>General</b>	
<b>Light sensitivity</b>	1.2-10000 lux	<b>Casing</b>	Main unit: Polycarbonate Height strip: Aluminum
<b>Shutter time</b>	1/24500 s to 1/6 s	<b>Memory</b>	256 MB RAM, 128 MB Flash
<b>Camera angle adjustment</b>	Pan ±30°	<b>Power</b>	Power over Ethernet IEEE 802.3af/802.3at Type 1 Class 2 (max 6.49 W) 8-28 V DC max 4.7 W
<b>Cable length</b>	8 m (26 ft) cable on sensor unit for attachment to main unit	<b>Connectors</b>	RJ45 for 10BASE-T/100BASE-TX PoE RJ12 for the sensor unit Terminal blocks for power, 1 alarm input and 1 output
<b>Video</b>		<b>Edge storage</b>	microSD/microSDHC/microSDXC slot supporting memory card up to 64 GB (card not included) Support for recording to dedicated network-attached storage (NAS)
<b>Video compression</b>	H.264 (MPEG-4 Part 10/AVC) Motion JPEG	<b>Operating conditions</b>	-20 °C to 50 °C (-4 °F to 122 °F) Humidity 10-85% RH (non-condensing)
<b>Resolutions</b>	1280x720 to 320x180	<b>Approvals</b>	EN 55022 Class B, EN 55024, EN 61000-3-2, EN 61000-3-3, EN 61000-6-1, FCC Part 15 Subpart B Class B, ICES-003 Class B, VCCI Class B, C-tick AS/NZS CISPR 22 Class B, KCC KN22 Class B, KN24, IEC/EN/UL 60950-1, IEC 60068-2-1, IEC 60068-2-2, IEC 60068-2-6, IEC 60068-2-27, 60068-2-78
<b>Frame rate</b>	H.264: Up to 25/30 fps (50/60 Hz) in all resolutions Motion JPEG: Up to 25/30 fps (50/60 Hz) in all resolutions	<b>Weight</b>	Main unit: 109 g (0.24 lb) Height strip: 930 g (2.05 lb)
<b>Video streaming</b>	Multiple, individually configurable streams in H.264 and Motion JPEG Controllable frame rate and bandwidth VBR/CBR H.264	<b>Included accessories</b>	Mounting kit, Installation Guide, Installation and Management Software CD, Windows decoder 1-user license, AVHS Authentication key
<b>Image settings</b>	Compression, Color, Brightness, Sharpness, Contrast, White balance, Exposure control, Exposure zones, Backlight compensation, Fine tuning of behavior at low light, Rotation, Text and image overlay, Mirroring of images, Privacy mask	<b>Optional accessories</b>	AXIS PoE Midspans
<b>Network</b>		<b>Video management software</b>	AXIS Camera Companion (included), AXIS Camera Station and video management software from Axis' Application Development Partners (not included). For more information, see <a href="http://www.axis.com/products/video/software">www.axis.com/products/video/software</a>
<b>Security</b>	Password protection, IP address filtering, HTTPS <sup>b</sup> encryption, IEEE 802.1X <sup>b</sup> network access control, Digest authentication, User access log	<b>Warranty</b>	Axis 3-year warranty and AXIS Extended Warranty option, see <a href="http://www.axis.com/warranty">www.axis.com/warranty</a>
<b>Supported protocols</b>	IPv4/v6, HTTP, HTTPS <sup>b</sup> , SSL/TLS <sup>b</sup> , QoS Layer 3 DiffServ, FTP, CIFS/SMB, SMTP, Bonjour, UPnP, SNMPv1/v2c/v3 (MIB-II), DNS, DynDNS, NTP, RTSP, RTP, TCP, UDP, IGMP, RTCP, ICMP, DHCP, ARP, SOCKS	a. <i>Horizontal angle of view</i> b. <i>This product includes software developed by the OpenSSL Project for use in the OpenSSL Toolkit (<a href="http://www.openssl.org/">http://www.openssl.org/</a>), and cryptographic software written by Eric Young (<a href="mailto:ey@cryptsoft.com">ey@cryptsoft.com</a>).</i>	
<b>System integration</b>			
<b>Application Programming Interface</b>	Open API for software integration, including VAPIX <sup>®</sup> and AXIS Camera Application Platform; specifications at <a href="http://www.axis.com">www.axis.com</a> AXIS Video Hosting System (AVHS) with One-Click Camera Connection. ONVIF Profile S; specification at <a href="http://www.onvif.org">www.onvif.org</a>		
<b>Analytics</b>	Video motion detection, Active tampering alarm, AXIS Camera Application Platform enabling installation of additional applications		
<b>Event triggers</b>	Intelligent video, External inputs, Video loss		

# Technical Specifications - AXIS P8535 Network Camera

<b>Models</b>	AXIS P8535: HDTV 1080p with AXIS F41 Main Unit and AXIS F1025 Sensor Unit in black/silver housing with metric/imperial height strip	<b>Analytics</b>	Video motion detection, Active tampering alarm, Audio detection, AXIS Camera Application Platform
<b>Camera</b>		<b>Event triggers</b>	Intelligent video, External inputs, Edge storage events
<b>Image sensor</b>	1/2.8" (effective) progressive scan RGB CMOS	<b>Event actions</b>	File upload: FTP, HTTP, network share and email; Notification: email, HTTP and TCP; External output activation; Pre- and post-alarm video buffering; Video and audio recording to edge storage; Play audio clip; WDR mode
<b>Lens</b>	Fixed iris, fixed focus, 3.7 mm: 92° view <sup>a</sup> , F2.5	<b>Built-in installation aids</b>	Pixel counter
<b>Minimum illumination</b>	Color: 0.3 lux, F2.5	<b>Data streaming</b>	Event data
<b>Shutter time</b>	HDTV 1080p 25/30/50/60 fps: 1/143000 s to 2 s WUXGA (1920x1200) 25/30 fps: 1/143000 s to 2 s	<b>General</b>	
<b>Camera angle adjustment</b>	Pan ±15°	<b>Casing</b>	Aluminum
<b>Cable length</b>	12 m (39 ft) cable on sensor unit for attachment to main unit	<b>Memory</b>	512 MB RAM, 256 MB Flash
<b>Video</b>		<b>Power</b>	Power over Ethernet (PoE) IEEE 802.3af/802.3at Type 1 Class 3 (max 7.7 W); 8–28 V DC max 7.8 W
<b>Video compression</b>	H.264 (MPEG-4 Part 10/AVC) Baseline, Main and High Profiles Motion JPEG	<b>Connectors</b>	Female RJ45 for 10BASE-T/100BASE-TX PoE; RJ12 for sensor unit; 6-pin terminal block for four configurable inputs/outputs (12 V DC output), max. load 50 mA; 3.5 mm mic/line in, 3.5 mm line out; 5-pin terminal block RS232; 2-pin terminal block for 8–28 V DC input
<b>Resolutions</b>	1920x1200 (WUXGA) to 160x90	<b>Edge storage</b>	SD/SDHC/SDXC slot supporting memory card up to 64 GB (card not included); Support for recording to dedicated network-attached storage (NAS)
<b>Frame rate</b>	H.264/Motion JPEG: In HDTV 1080p (no WDR), 50/60 fps (50/60 Hz); In WUXGA (no WDR) and in HDTV 1080p with WDR, 25/30 fps (50/60 Hz)	<b>Operating conditions</b>	Humidity 10–85% RH (non-condensing) Main unit: -30 °C to 60 °C (-22 °F to 140 °F) Height strip: -30 °C to 55 °C (-22 °F to 131 °F)
<b>Video streaming</b>	Multiple, individually configurable streams in H.264 (Main, Baseline and High Profiles) and Motion JPEG; Controllable frame rate and bandwidth; VBR/MBR H.264	<b>Approvals</b>	IEC/EN/UL 60950-1, IEC 60068-2-6, IEC 60068-2-27, EN 55022 Class B, EN 55024, EN 61000-6-1, EN 61000-6-2, EN 61000-3-2, EN 61000-3-3, FCC Part 15 Subpart B Class B, ICES-003 Class B, VCCI Class B, C-tick AS/NZS CISPR 22 Class B, KCC KN22 Class B, KN24, EN 50581 Main unit only: ECE R10 rev.04, EN 50121-4, IEC 62236-4
<b>Image settings</b>	Wide Dynamic Range – Forensic Capture, Compression, Color, Brightness, Sharpness, Contrast, White balance, Exposure value, Exposure control, Exposure zones, Local contrast, Rotation, Text and image overlay, Privacy mask, Mirroring of images	<b>Weight</b>	Main unit: 532 g (1.17 lb) Height strip: 1050 g (2.3 lb)
<b>Audio</b>		<b>Included accessories</b>	Installation Guide, Installation and Management Software CD, Windows decoder 1-user license, AVHS Authentication key
<b>Audio streaming</b>	Two-way	<b>Optional accessories</b>	AXIS F8001 Surface Mount with Strain Relief, AXIS F8002 DIN Rail Clip, AXIS T8120 15 W Midspan, AXIS T83 Microphones
<b>Audio compression</b>	AAC-LC 8/16/32 kHz, 8–128 kbit/s; G.711 PCM 8 kHz 64 kbit/s; G.726 ADPCM 8 kHz 32 kbit/s or 24 kbit/s; Configurable bit rate	<b>Video management software</b>	AXIS Camera Companion (included), AXIS Camera Station and video management software from Axis' Application Development Partners (not included)
<b>Audio input/output</b>	External microphone input or line input, Line output	<b>Warranty</b>	Axis 3-year warranty and AXIS Extended Warranty option, see <a href="http://www.axis.com/warranty">www.axis.com/warranty</a>
<b>Network</b>			
<b>Security</b>	Password protection, IP address filtering, HTTPS <sup>b</sup> encryption, IEEE 802.1X <sup>b</sup> network access control, Digest authentication, User access log, Centralized certificate management		
<b>Supported protocols</b>	IPv4/v6, HTTP, HTTPS <sup>b</sup> , SSL/TLS <sup>b</sup> , QoS Layer 3 DiffServ, FTP, CIFS/SMB, SMTP, Bonjour, UPnP <sup>™</sup> , SNMPv1/v2c/v3 (MIB-II), DNS, DynDNS, NTP, RTSP, RTP, TCP, UDP, IGMP, RTCP, ICMP, DHCP, ARP, SOCKS, SSH		
<b>System integration</b>			
<b>Application Programming Interface</b>	Open API for software integration, including VAPIX <sup>®</sup> and AXIS Camera Application Platform, specifications at <a href="http://www.axis.com">www.axis.com</a> ; AXIS Video Hosting System (AVHS) with One-Click Camera Connection; ONVIF Profile S, specification at <a href="http://www.onvif.org">www.onvif.org</a>		

- a. Horizontal angle of view  
 b. This product includes software developed by the OpenSSL Project for use in the OpenSSL Toolkit (<http://www.openssl.org/>), and cryptographic software written by Eric Young ([eyay@cryptsoft.com](mailto:eyay@cryptsoft.com)).

More information is available at [www.axis.com](http://www.axis.com)