



## **PRODUCT REVIEW GUIDE**

---

**AXIS Q6032-E PTZ Dome Network Camera**

**AXIS Q6032-E PTZ Dome Network Camera**

## TABLE OF CONTENTS

1	PREFACE.....	3
2	PRODUCT BRIEF .....	3
3	TYPICAL APPLICATIONS .....	5
4	THEORY OF OPERATION .....	5
5	INSTALLING THE AXIS DOME NETWORK CAMERA .....	6
	5.1 Installation using AXIS IP Utility (Windows).....	6
	5.2 Bonjour (Macintosh).....	6
6	GETTING STARTED .....	7
	6.1 Administrator Password .....	7
	6.2 The main interface .....	8
	6.3 Users / security .....	9
	6.4 Image settings and frame rates.....	9
	6.5 Reset to factory default.....	10
7	HIGHLIGHTED FEATURES.....	11
8	AVAILABILITY, DISTRIBUTION AND PRICING .....	11
9	ABOUT AXIS.....	11
10	ADDITIONAL INFORMATION AND CONTACTS.....	11

## 1 Preface

This product review guide helps you evaluate, test and use the AXIS Q6032-E Network Camera. It incorporates a product introduction, features and benefits, and how to install the camera. For further information about AXIS Q6032-E, please visit the AXIS Q6032-E product page on [www.axis.com](http://www.axis.com). For more detailed installation about the installation, please see the AXIS Q6032-E Installation Guide provided in the product box or at [www.axis.com](http://www.axis.com). For more information, photos and a film about Axis' outdoor products, please visit [www.axis.com/outdoor/](http://www.axis.com/outdoor/).

## 2 Product brief

AXIS Q6032-E PTZ Dome Network Camera is an outdoor-ready, high-performance PTZ dome designed for quick, easy and reliable installation in demanding surveillance applications. It is ideal for use at airports and seaports, as well as for city and perimeter surveillance. Key features include:

- ***Outdoor-ready***

AXIS Q6032-E is designed for quick and easy installation in demanding indoor and outdoor environments. There is no need to purchase and mount a separate outdoor housing. It eliminates the cost and complexity of pre-mounting a camera in an enclosure and minimizes the risk of incorrect mounting, which helps to ensure optimal camera performance.

With an IP66 rating, it is dust tight and offers protection against high-pressure water jets. AXIS Q6032-E has a built-in heater, fans and a removable sunshield, allowing the camera to be used in temperatures ranging from -40 °C up to 50 °C (-40 °F up to 122 °F).

- ***Arctic Temperature Control***

Arctic Temperature Control is a new and unique functionality from Axis that is introduced for the first time in AXIS Q6032-E. It allows the camera to not only function at -40 °C (-40 °F) but also power up at that temperature.

- ***High PoE (Power over Ethernet)***

AXIS Q6032-E is powered through High PoE, which simplifies installation since only one cable is needed for carrying power, as well as video and pan/tilt/zoom controls. With High PoE, the camera can operate even during a power failure as the network can be connected to an Uninterruptible Power Supply. A High PoE midspan is supplied with the camera.

- ***35x zoom with autofocus***

AXIS Q6032-E offers a powerful 35x optical and 12x digital zoom with autofocus, providing crisp, clear and rich detail of both zoomed in and zoomed out images. License plates, for example, can be clearly read from a distance of 160 m (525 ft.).

- ***Multiple H.264 and Motion JPEG streams***

AXIS Q6032-E supports 3 simultaneous, individually configured streams in max. 4CIF resolution at 30/25 (NTSC/PAL) frames per second; more streams if identical or limited in frame rate/resolution. H.264 (MPEG-4 Part 10/AVC) offers the most efficient video compression format, which saves up to 80% in bandwidth and storage use compared

with Motion JPEG without compromising image quality. Motion JPEG is supported for increased flexibility.

- ***Local storage***  
The camera comes with a built-in slot for an SD/SDHC memory card, enabling several days of recordings to be stored locally without any external equipment.
- ***Progressive Scan***  
Progressive scan provides full resolution images of moving objects without distortion.
- ***Fast pan and tilt***  
With a maximum speed of 450°/second, and high precision, low-speed movement at 0.05°/second, AXIS Q6032-E can follow a walking person at a distance of 400 m (1300 ft.) and pan/tilt to any preset position in less than 1.5 seconds.
- ***Extended tilt range of 20° above the horizon***  
The camera can tilt 20° above the horizon for a total tilt range of 220°, making it possible for the camera to see higher than where it is mounted. This is especially beneficial when monitoring over uneven terrain. The extended tilt range (over the standard 180°) also makes installation easier since the camera does not have to be mounted 100% upright.
- ***Intelligent video capabilities***  
AXIS Q6032-E has both video motion detection and auto-tracking, which allows a moving object within the camera's field of view to be detected and followed automatically.
- ***Advanced security and network management***  
AXIS Q6032-E offers the highest degree of security, including HTTPS encrypted video streams without affecting performance and IPv6 support in addition to IPv4. IPv6 is a requirement in many large installations..

### 3 Typical applications

AXIS Q6032-E is intended for installations in very low temperatures due to its Arctic Temperature Control feature. AXIS Q6032-E can also operate in higher temperature conditions of up to 50 °C.

Examples include:

- City Surveillance
- Parking lots
- Outdoor airport installations
- Perimeter surveillance of ports
- All type of outdoor installations where you need to cover an area and be able to zoom in for detailed inspection

### 4 Theory of operation

The AXIS Q6032-E Network Camera transmits images to a standard Web browser when requested. The camera contains its own Web server, with its own unique IP address (or associated URL) that is used by the browser to access the camera. The camera can be made available locally on a LAN, or it can be made available from any other location, via e.g. the Internet.

When using Internet Explorer in Windows, the camera uses AXIS Media Control (AMC) to display moving images in the browser. AMC handles both Motion JPEG and H.264 video streams. For information on using other browsers and platforms, please see [www.axis.com/techsup](http://www.axis.com/techsup).

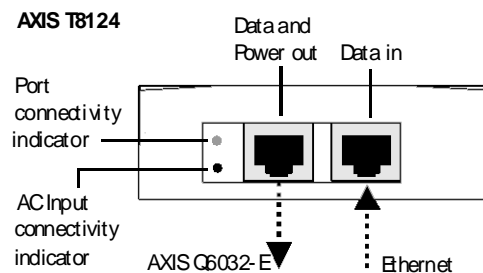
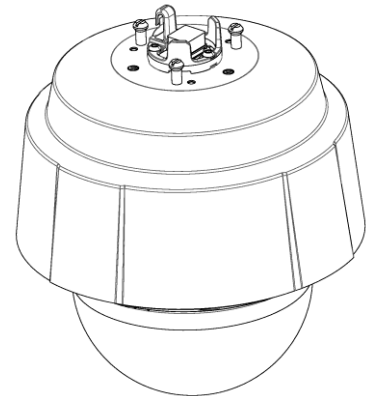
Note: AMC is an ActiveX control that is automatically installed the first time the camera is accessed from Internet Explorer. Other options for viewing video are also available.

## 5 Installing AXIS Q6032-E

AXIS Q6032-E comes with an AXIS T8124 Midspan for High Power over Ethernet, which enables Axis network video products with high power consumption to receive data and power over the same Ethernet cable. Follow these instructions to connect the AXIS T8124 and AXIS Q6032-E.

### Install the AXIS T8124 Midspan

1. Connect the AXIS T8124 (Data in) to the network switch using a standard network cable.
2. Connect the AXIS T8124 (Data and Power Out) to the AXIS Q6032-E, using the network cable that has been connected to the camera.
3. Connect the AXIS T8124 to an AC outlet (100-240 VAC), using the supplied power cable.



Depending on your operating system, follow the instructions below to install the AXIS Q6032-E on your network. Other available methods are described in the AXIS Q6032-E Installation Guide, which is shipped with the product or available from the Axis Web site or from the AXIS Network Video Product CD.

### 5.1 Installation using AXIS IP Utility (Windows)

AXIS IP Utility automatically discovers and displays Axis devices on your network. The application can also be used to manually set a static IP address. AXIS IP Utility is available on the AXIS Network Video Product CD, or it can be downloaded from [www.axis.com/techsup](http://www.axis.com/techsup). Note that you must install the AXIS Q6032-E on the same network segment (physical subnet) as the computer running AXIS IP Utility.

1. Check that the AXIS Q6032-E is connected to the network and that power has been applied.
2. Start AXIS IP Utility.
3. When the AXIS Q6032-E appears in the window, double-click it to open the camera's home page.
4. See the instructions below to set the password.

### 5.2 Bonjour (Macintosh)

Bonjour (Mac OS X) will automatically discover the AXIS Q6032-E once it is connected to the network. Note that you must install the AXIS Q6032-E on the same network segment (physical subnet) as the computer handling the installation.

1. Check that the AXIS Q6032-E is connected to the network and that power has been applied.

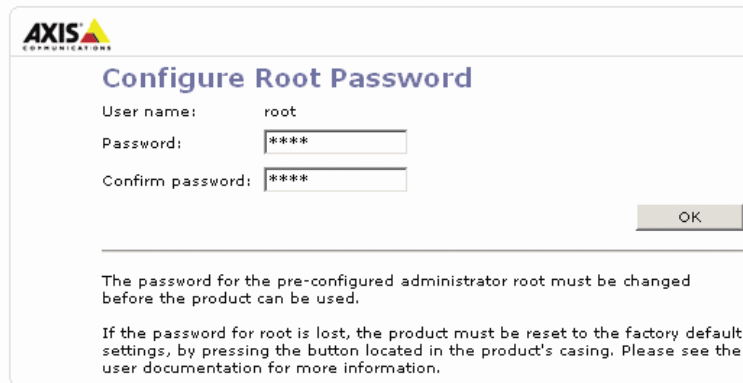
2. Navigate to the Bonjour bookmark in your browser (e.g. Safari) and click on the camera's link to access the Web pages.
3. See below for instructions on how to set the password.

## 6 Getting started

The following section will provide a “guided tour” through the camera and some of its features, with short instructions on how to configure the camera.

### 6.1 Administrator Password

The first time you connect to the camera, you must set the root password:



Once the root (administrator) password has been set, you will be able to log into the camera. The default log in is:

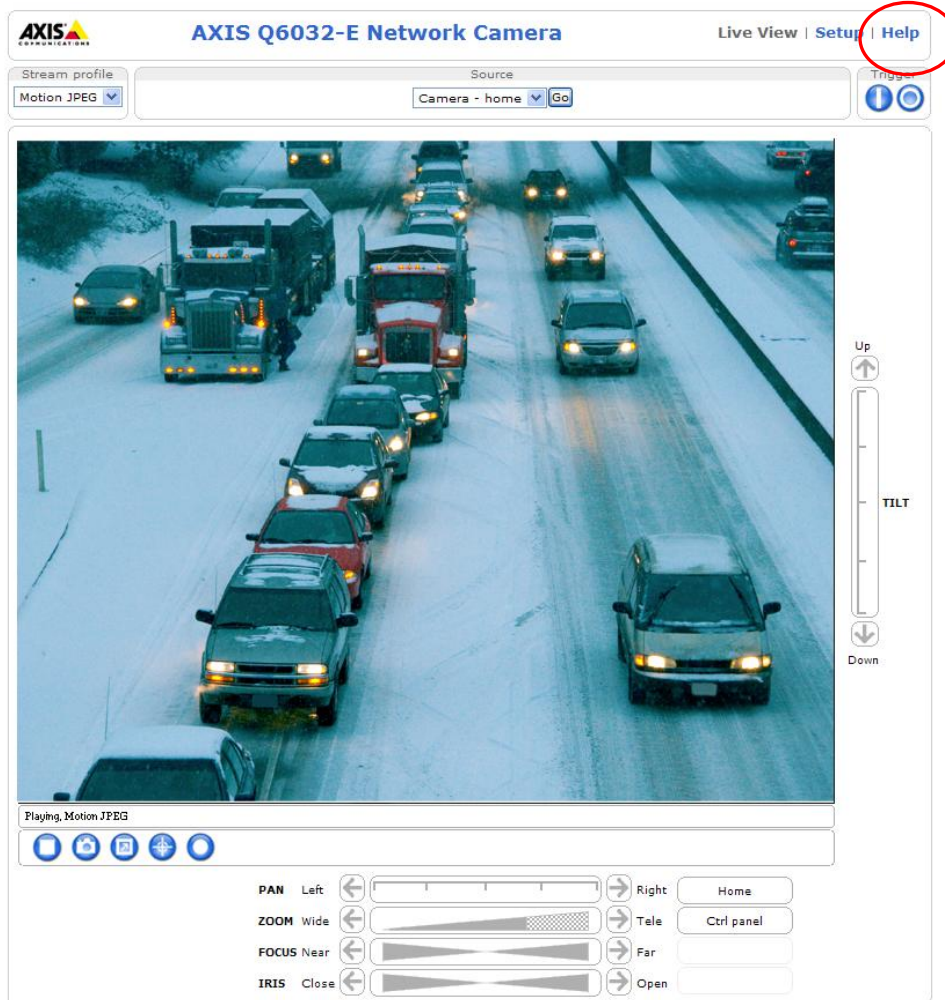
User name: **root**  
 Password: **[your password]**



If this is the first time you connect to an Axis network camera, you may be prompted to install the Active X component, which allows viewing of the video stream in Internet Explorer.

## 6.2 The main interface

This is the camera interface and video stream. If you have any questions, you can always select **Help**, which will provide you with context sensitive, online instructions.



There are many functions available via the buttons on the Live View page:

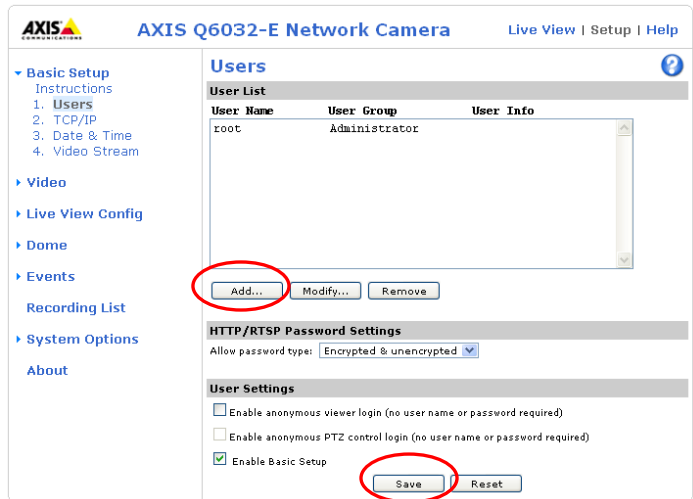
- Start/stop recording of video
- Snapshot – allows you to freeze a specific moment in the video stream
- Full screen view – maximizes the camera view to fit your screen
- Set center mode or emulated joystick functionality
- Pan/tilt/zoom controls – offers quick access to variable scene movement
- Control panel – offers manual adjustment of focus, iris, IR filter and backlight compensation
- Video format selection – choice of Motion JPEG or H.264



### 6.3 Users / security

If you wish to share video with other users, without prompting them for a user name and password, it is possible to set up the camera to allow anonymous viewing. This will allow the user to view live video and access the online help, whereas access to the Setup menu will be prohibited. To change this setting:

1. Go to **Setup > Basic Configuration > 1. Users**
2. Check the checkbox **“Enable anonymous viewer login”**
3. Select **Save**.



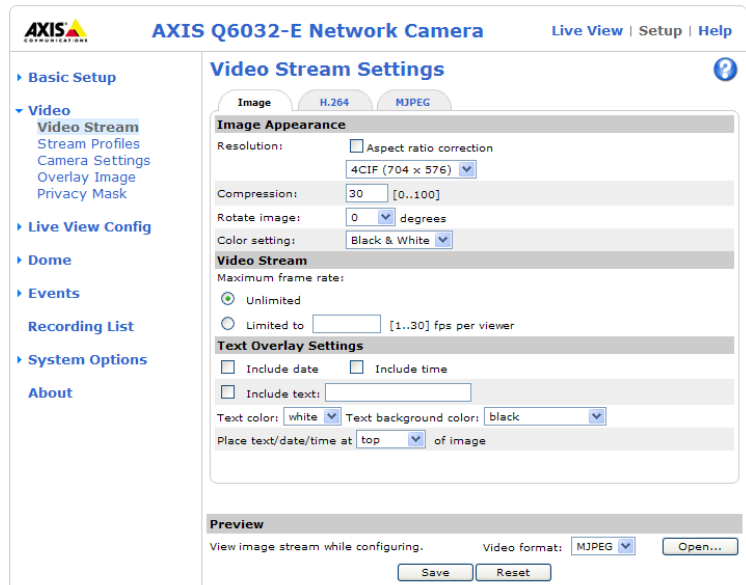
### 6.4 Image settings and frame rates

The video stream settings are in three tabs:

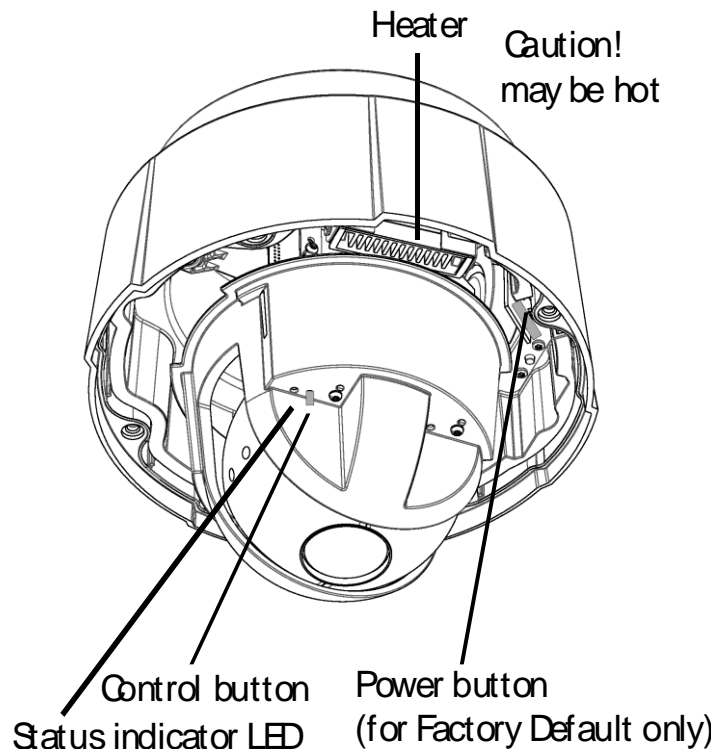
- Image
- H.264
- MJPEG

#### Image Appearance

Use these settings to modify the image resolution and compression. Setting the compression level affects the image quality and the amount of bandwidth required, the lower the compression, the higher the image quality with higher bandwidth requirements.



## 6.5 Reset to factory default



If you for any reason contact with the camera is lost, you can reset it to factory default settings:

1. Remove the dome cover from the camera unit; this will automatically disconnect power from the camera.
2. Press and hold the Control button and the Power button.
3. Keep the both buttons pressed until the Status indicator LED flashes amber (this may take up to 15 seconds).
4. Release the Control button. When the Status indicator LED displays green (which can take up to 1 minute) the process is complete and the camera has been reset. The Status indicator LED will display green for 10 seconds only. After that it will be unlit.
5. Release the Power button and replace the dome cover, this will automatically reconnect power to the camera.
6. Re-assign the IP address.

## 7 Highlighted features

When evaluating AXIS Q6032-E, you might specifically want to try out the following features:

- **Zoom.** Q6032-E offers 35x optical zoom and 12x digital zoom.
- **Pan/tilt speed:** Q6032-E has a fast and precise pan/tilt response with a speed of 450°/second, but can move as slow as 0.05°/second, for detailed search of objects from a great viewing distance.
- **Electronic image stabilization (EIS):** This feature reduces the effect of vibrations, caused by environmental effects such as traffic or weather. This feature can be switched on and off during operation.
- **Wide Dynamic Range (WDR):** WDR gives the camera up to 128 times higher dynamic range than normal cameras in extreme scene conditions. The feature offers a more balanced total exposure of scenes with extreme dark and light areas. This feature is available in three different settings, and may be switched off if so desired. Our recommendation is to focus on setting WDR 3 when experimenting with the WDR of AXIS Q6032-E. For best results, do not use in combination with image stabilization.
- **E-flip:** The image is electronically turned 180° when following a person walking under the dome.
- **Image freeze:** The picture remains at the previous location during traveling and then resumes when panning and/or tilting ends. This allows for more direct viewing between scenes.

## 8 Availability and distribution

The product is available now through Axis regular distribution channels.

## 9 About Axis

Axis is an IT company offering network video solutions for professional installations. The company is the global market leader in network video, driving the ongoing shift from analog to digital video surveillance. Axis products and solutions focus on security surveillance and remote monitoring, and are based on innovative, open technology platforms.

Axis is a Swedish-based company, operating worldwide with offices in more than 20 countries and cooperating with partners in more than 70 countries. Founded in 1984, Axis is listed on NASDAQ OMX Stockholm, under the ticker AXIS. For more information about Axis, please visit our website at [www.axis.com](http://www.axis.com).

## 10 Additional information and contacts

For more in-depth product information, please refer to the enclosed CD or visit the AXIS Q6032-E product page on [www.axis.com](http://www.axis.com).