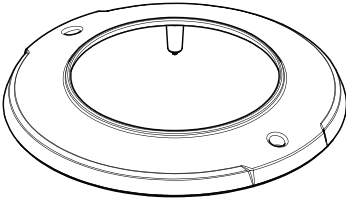


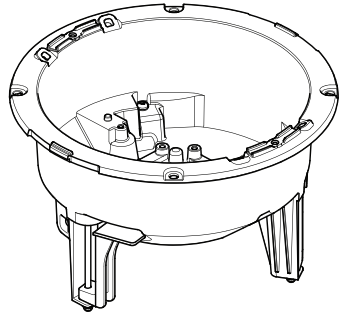
AXIS T94V01L Recessed Mount

Installation Guide

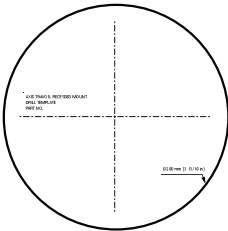
AXIS T94V01L Recessed Mount



1x



1x



1x



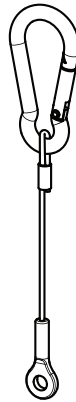
2x



2x



2x

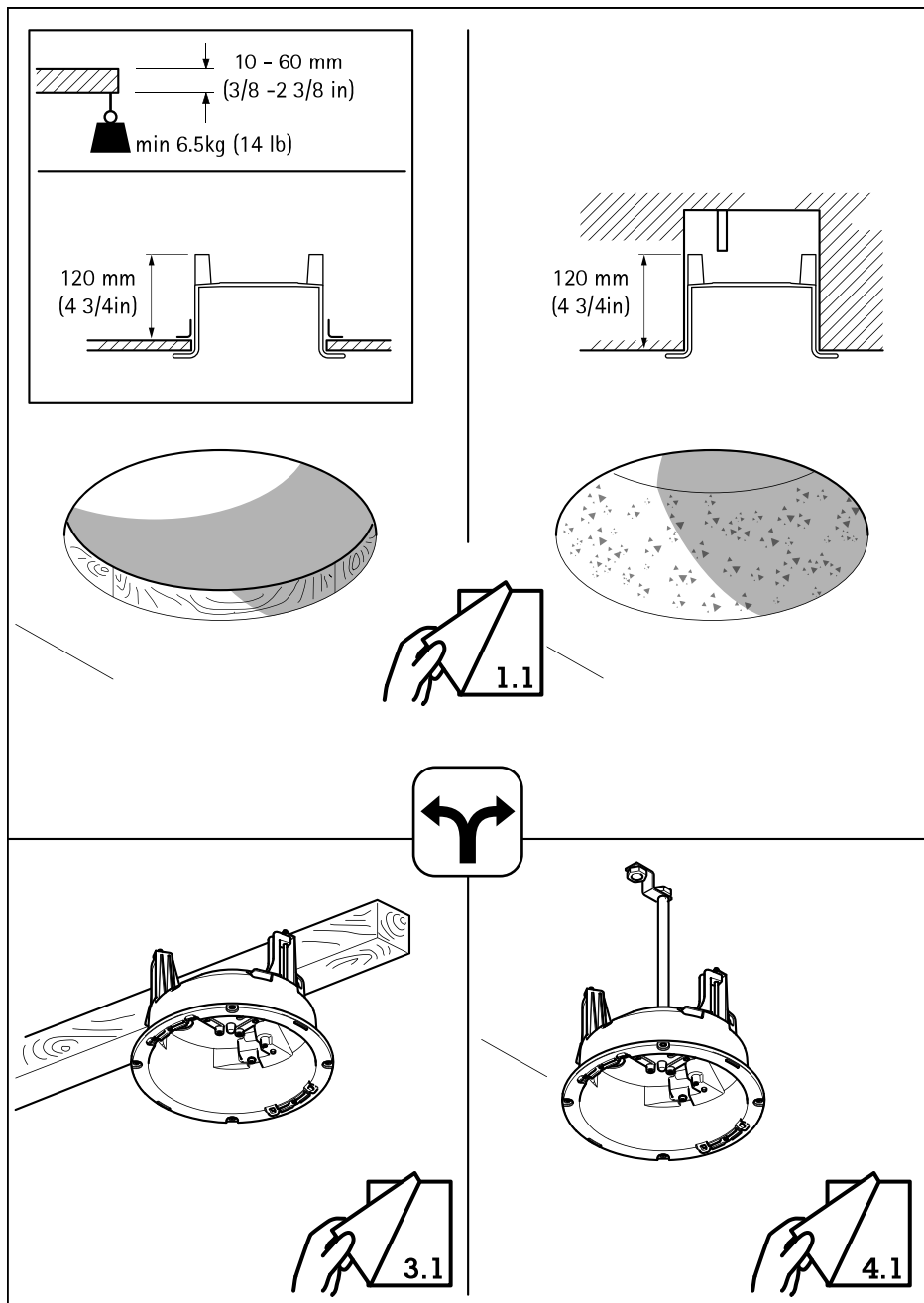


1x

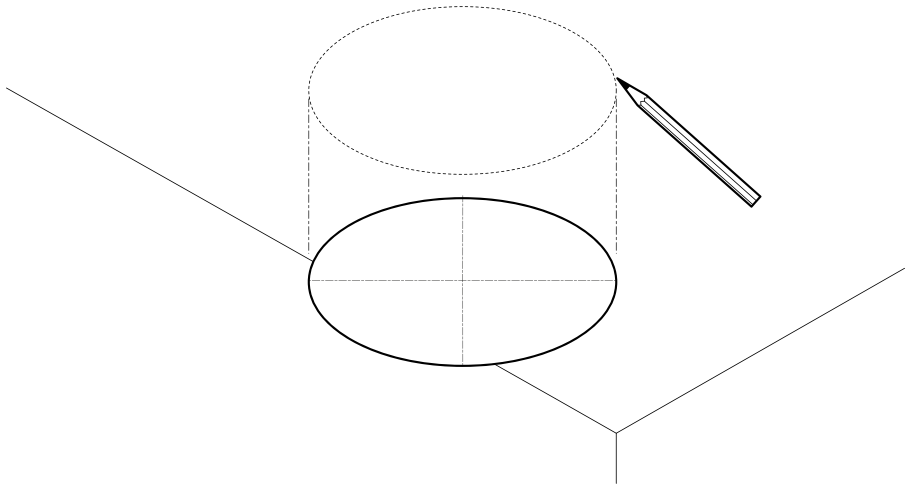


1x

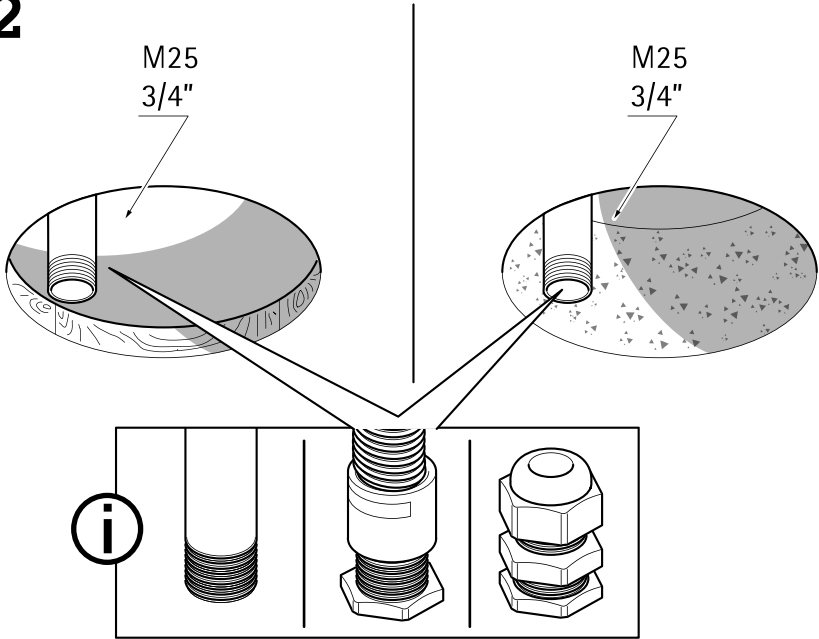
AXIS T94V01L Recessed Mount



1.1



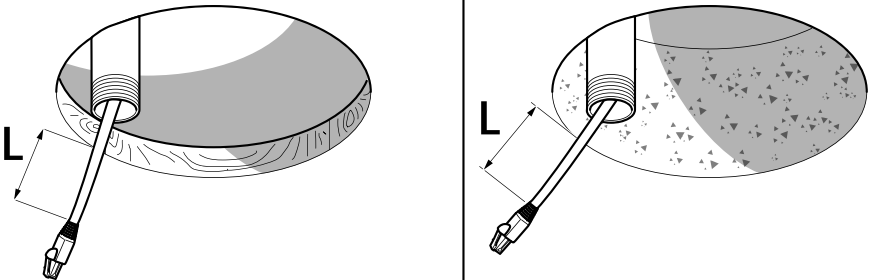
1.2



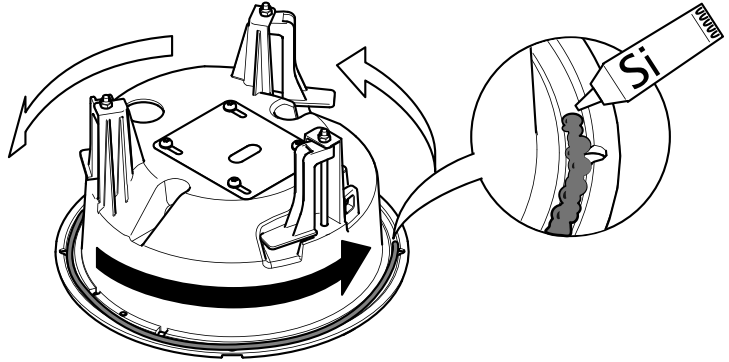
1.3

i

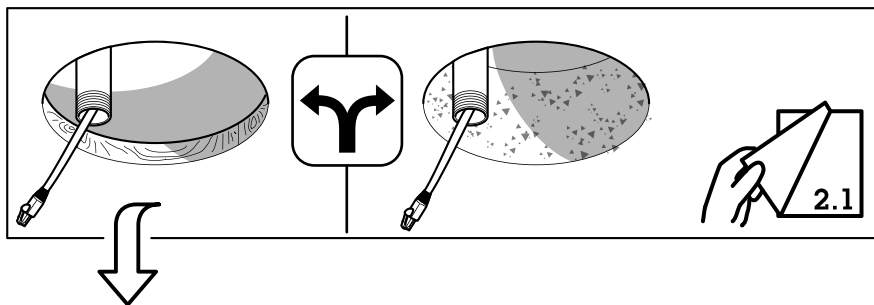
$L \geq 550 \text{ mm}$
(21 5/8 in)



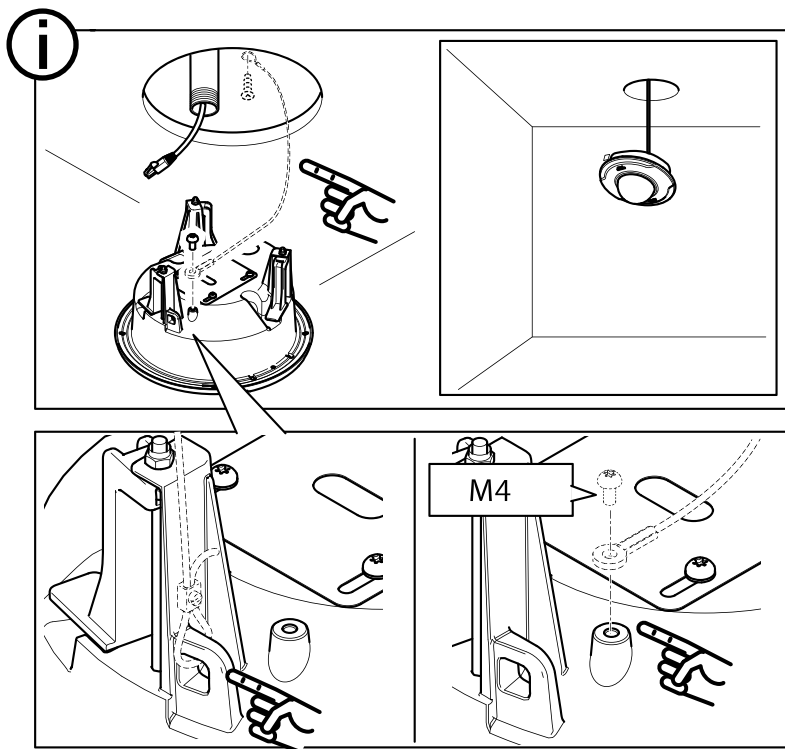
1.4



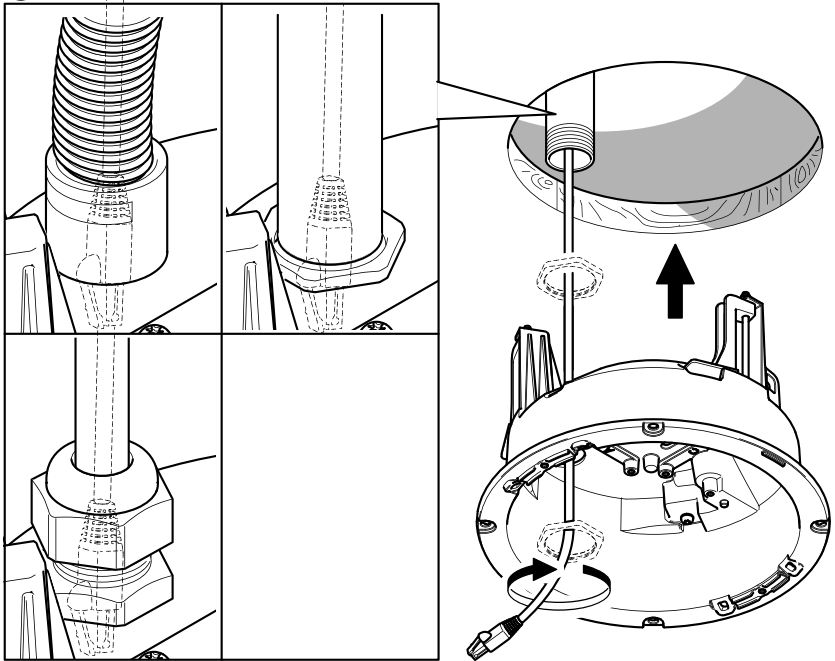
AXIS T94V01L Recessed Mount



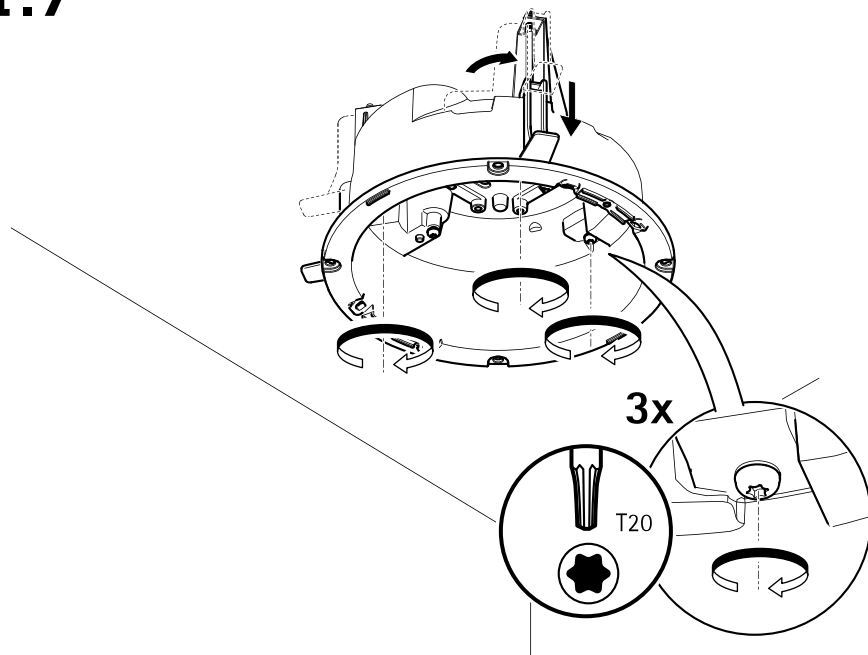
1.5



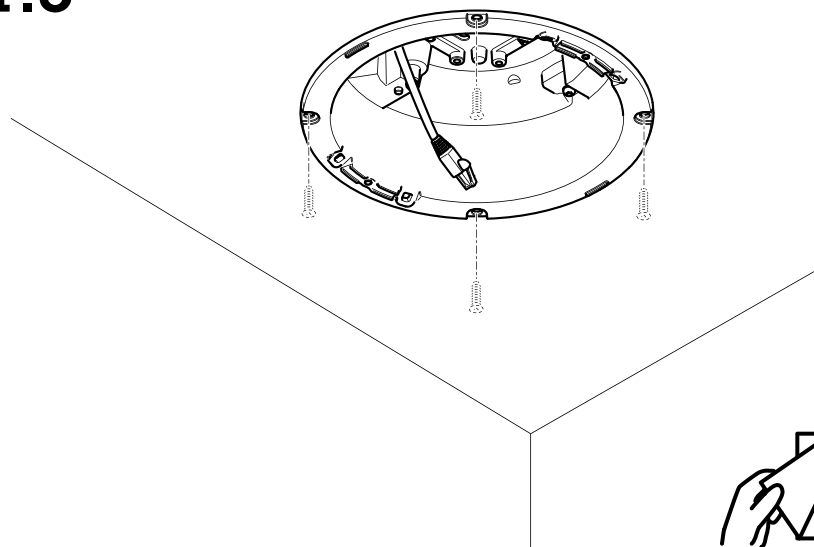
1.6



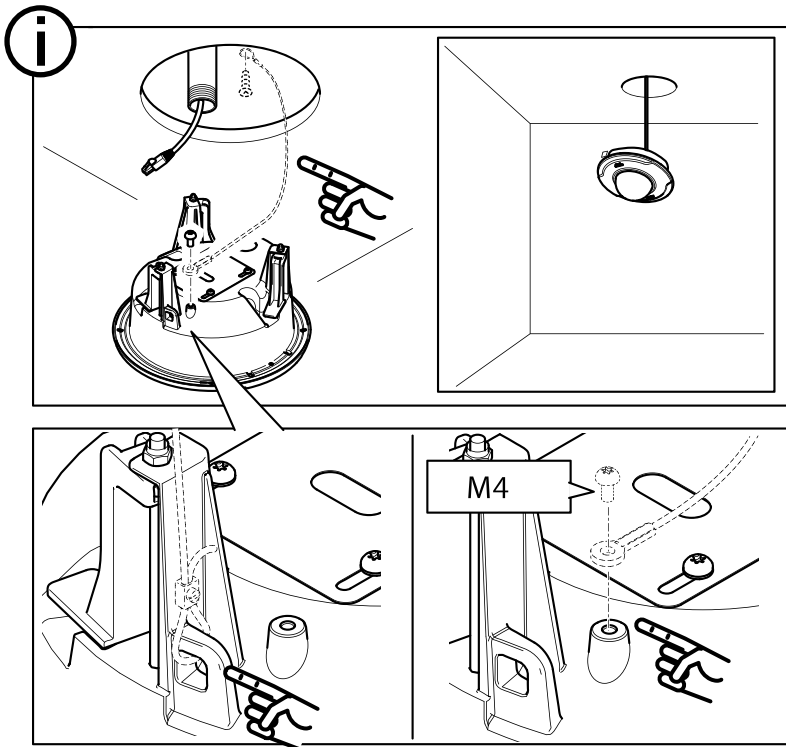
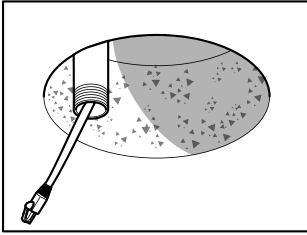
1.7



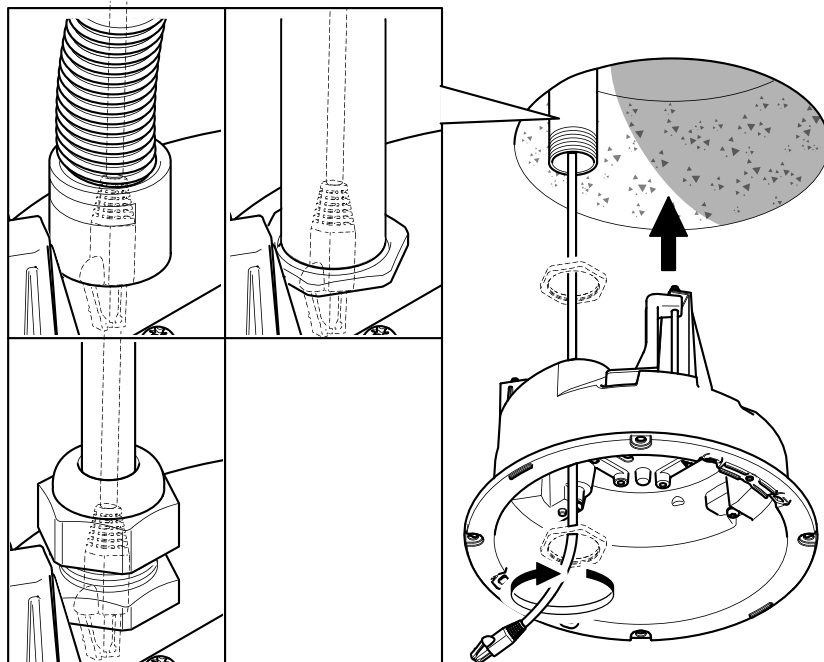
1.8



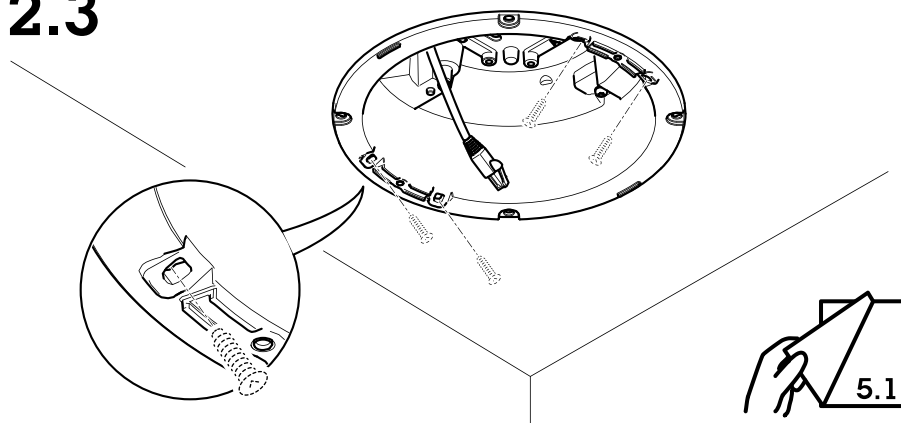
2.1

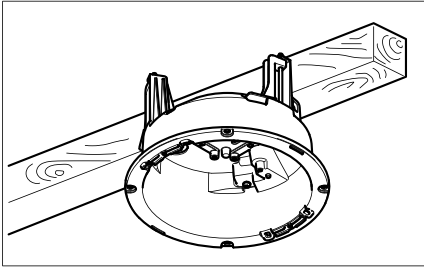


2.2

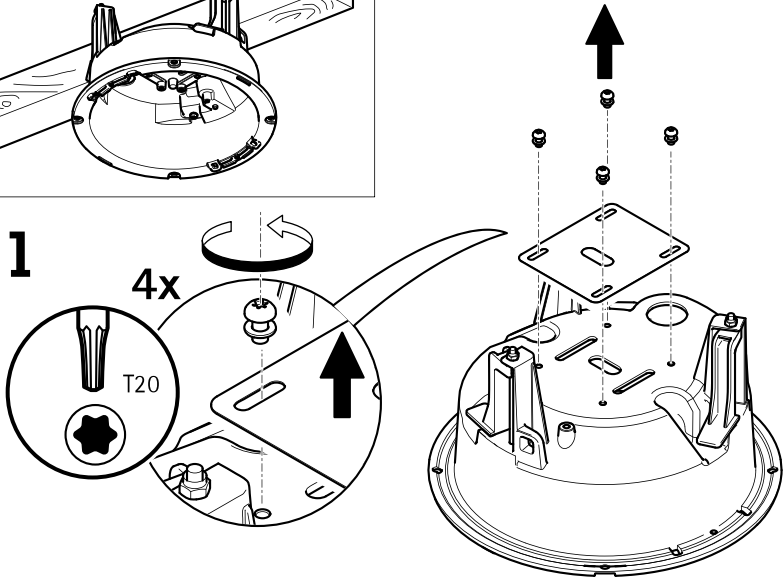


2.3

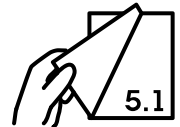
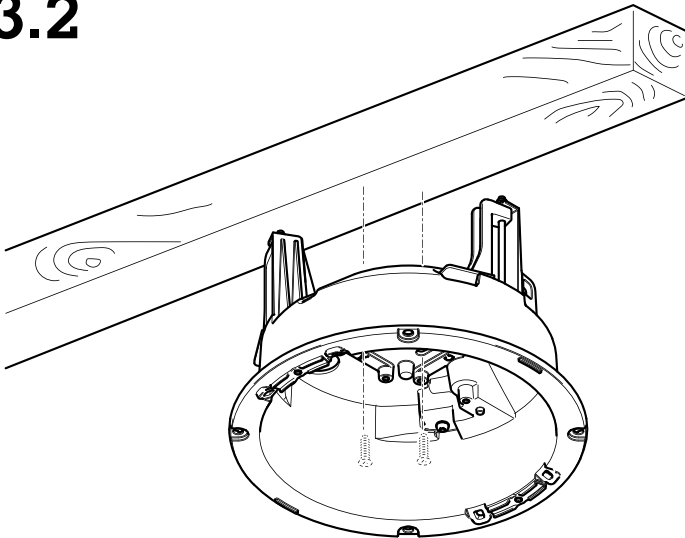




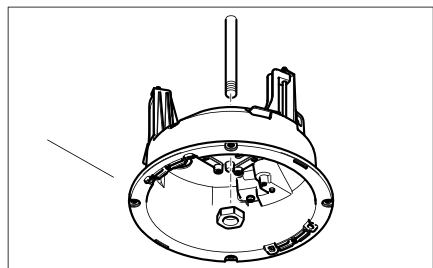
3.1



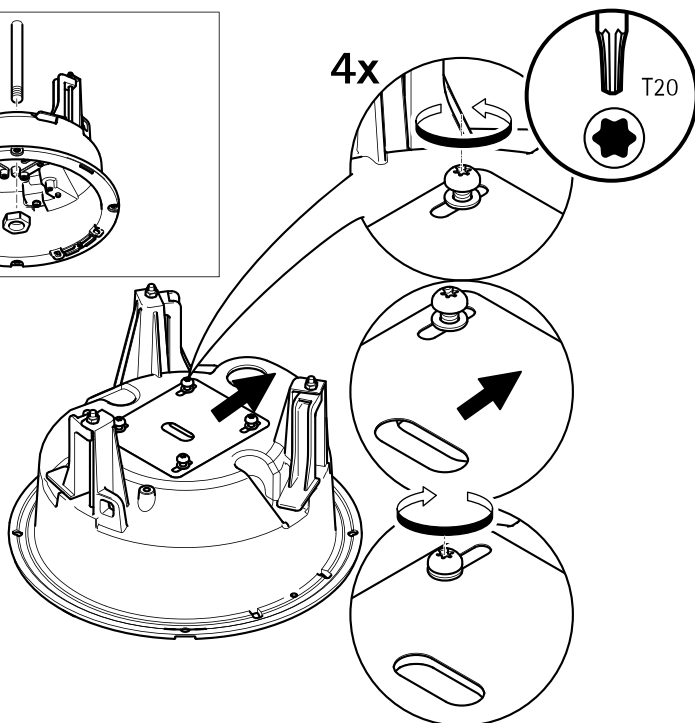
3.2



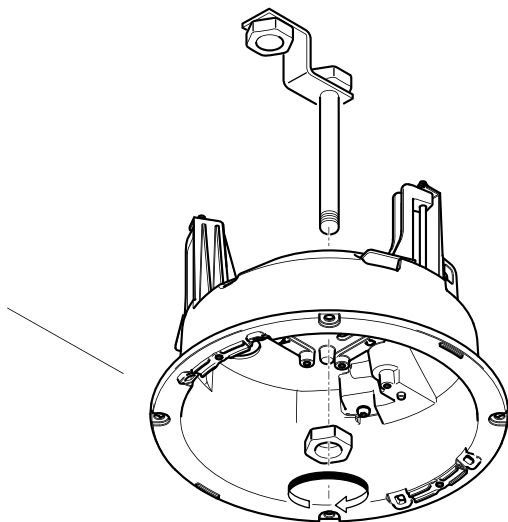
AXIS T94V01L Recessed Mount

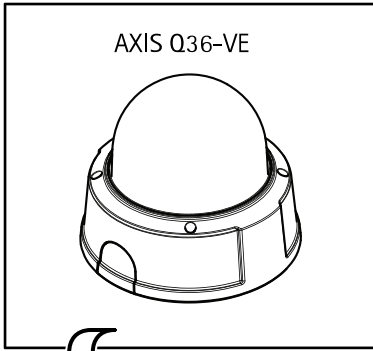


4.1

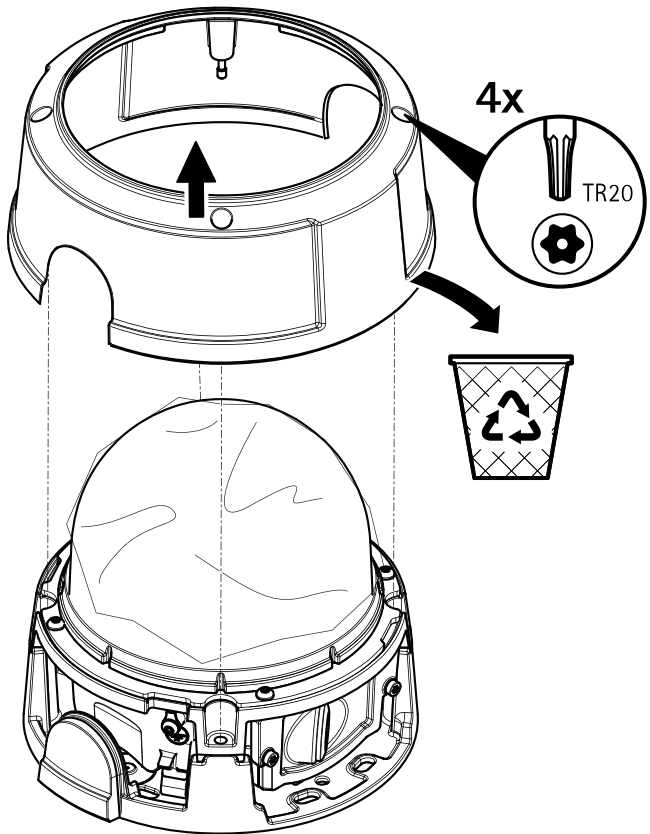


4.2

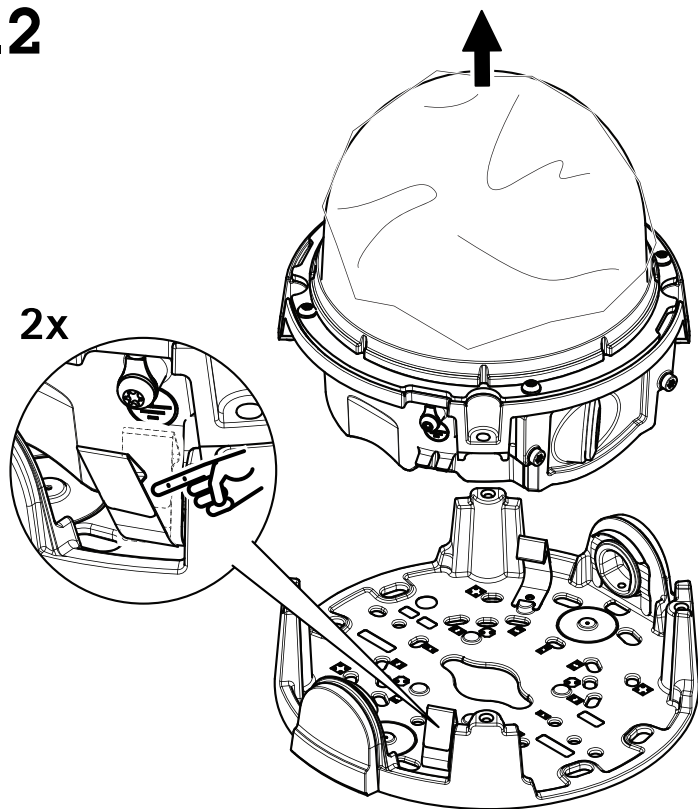




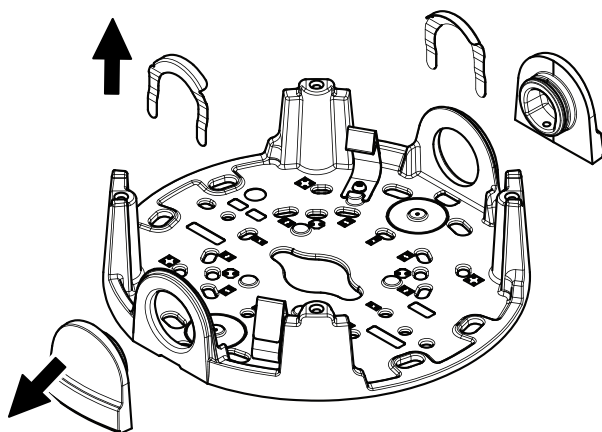
5.1



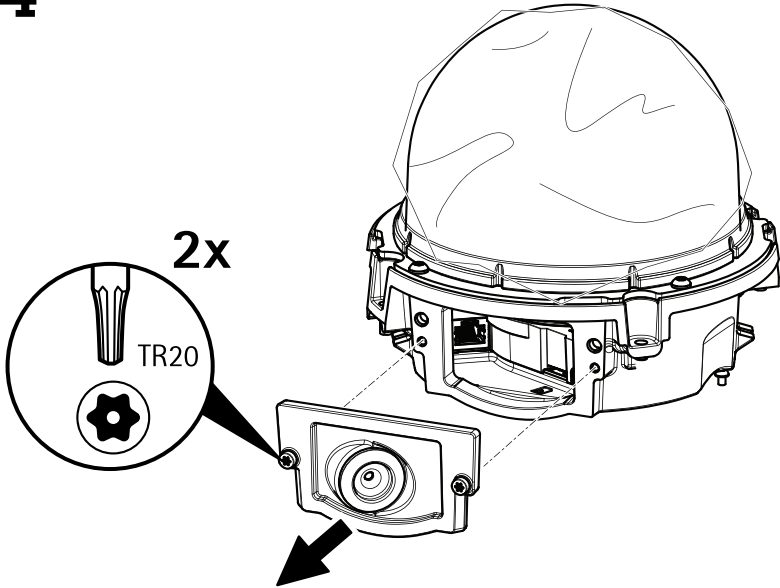
5.2



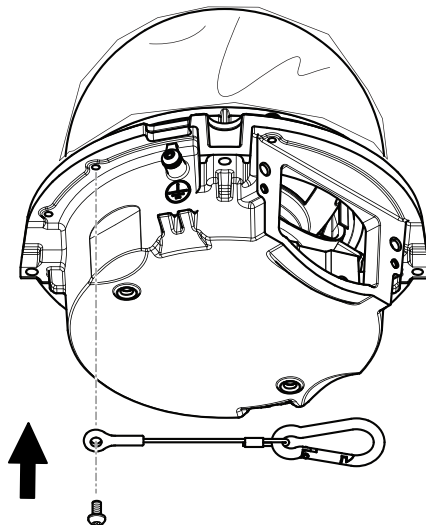
5.3



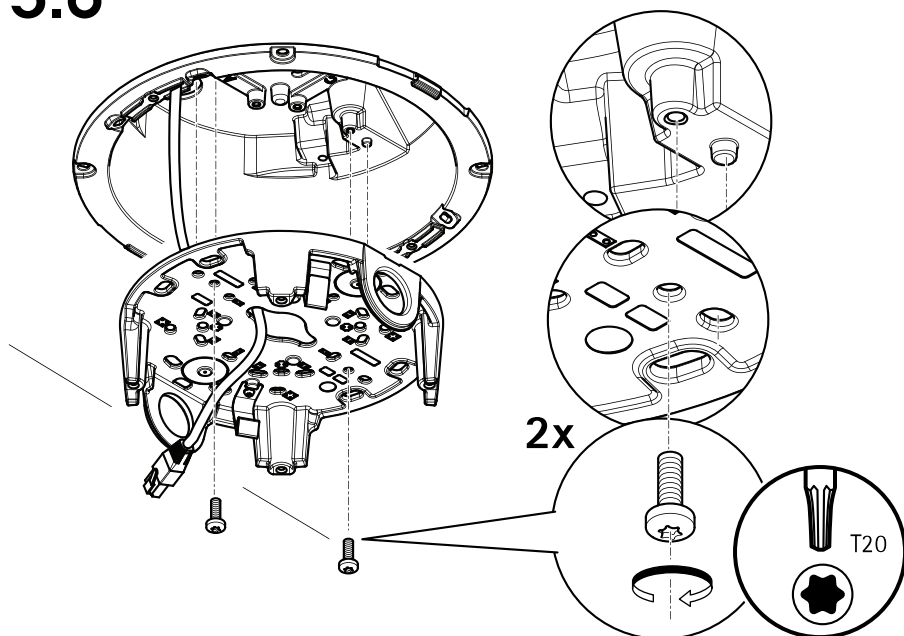
5.4



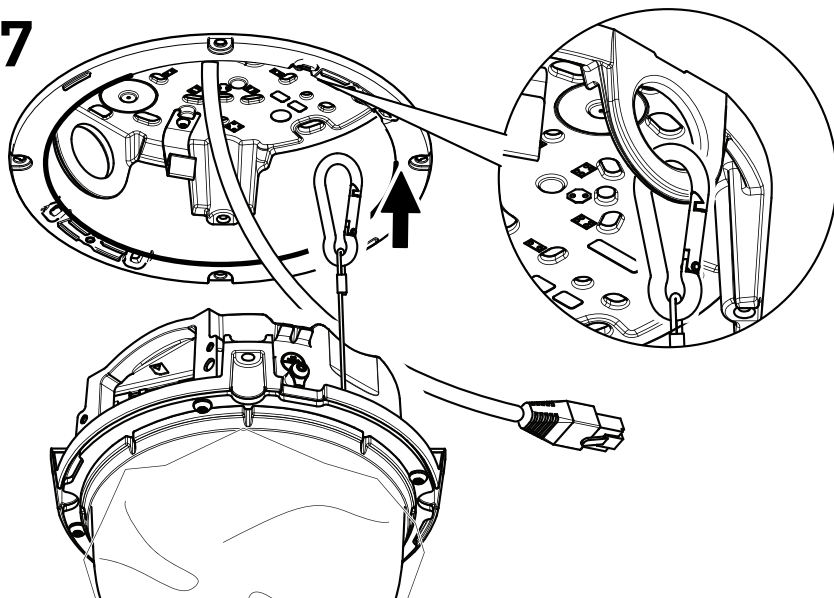
5.5



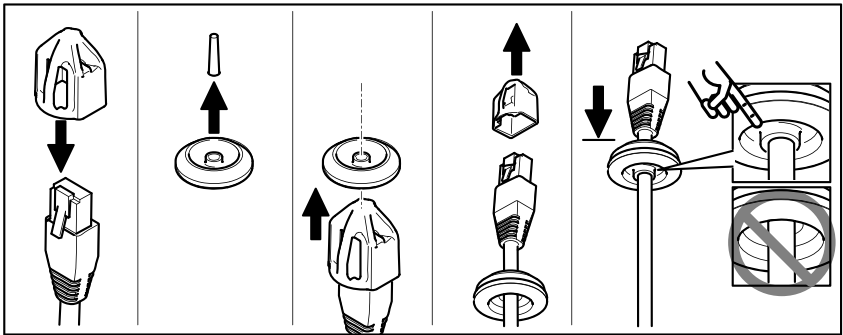
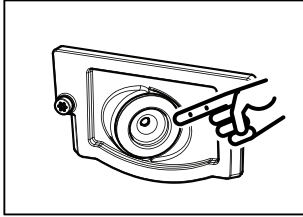
5.6



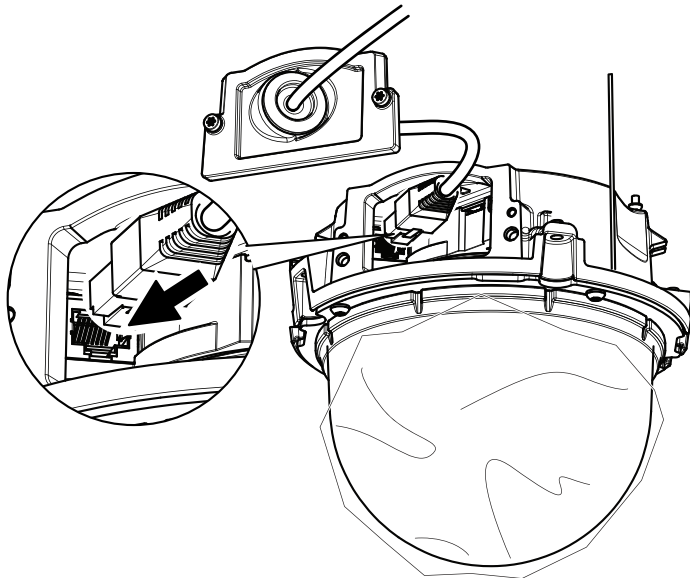
5.7



5.8

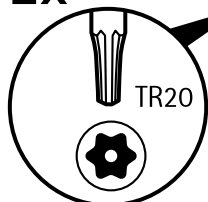


5.9

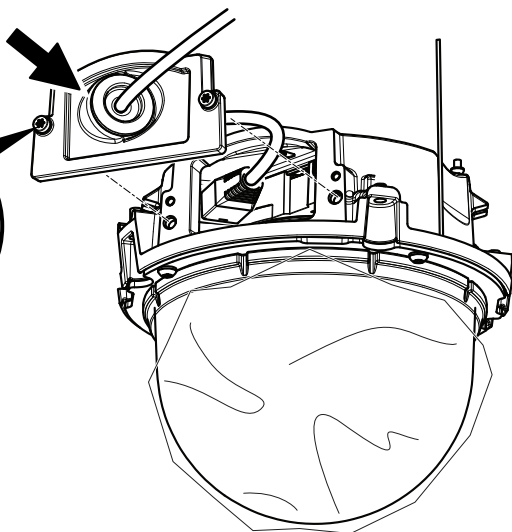


5.10

2x

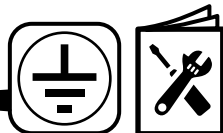
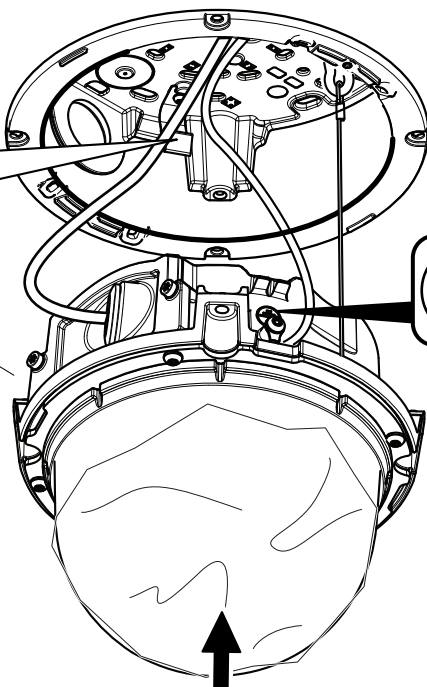
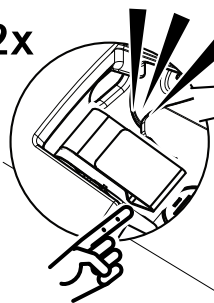


1 Nm
(0.7 lbs)



5.11

2x



AXIS Q36-VE

5.12

