

INSTALLATION GUIDE

AXIS T92A20 Protective Housing

AXIS T92A20 Housing

Follow these instructions to complete the installation of AXIS T92A20 and Axis network camera:

1. *"Package contents"* on page 4
2. *"Install the bracket"* on page 5
3. *"Install the camera in the housing"* on page 6
4. *"Connect power and network cables to the camera"* on page 7
5. *"Route the cables to the housing"* on page 9
6. *"Connect power to the housing"* on page 9
7. *"Complete the installation"* on page 9

Warning! Please observe relevant national and local regulations for the installation.

Axis Network Cameras

The following camera models are supported:

Camera Model:	Comment:
<ul style="list-style-type: none"> • AXIS P1311 • AXIS Q1755 • AXIS 210 • AXIS 210A • AXIS 211 • AXIS 211A • AXIS 211M • AXIS 211W • AXIS 221 • AXIS 223M 	<p>external antenna required, see www.axis.com</p>

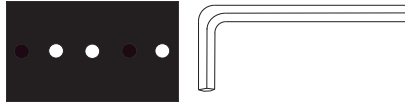
Note: Before you begin, make sure that the AXIS T92A20 package contents and the required cables, tools, and documentation are available. See *"Package contents"* on page 4.

1 Package contents

Bag:

3 rectangular spacers

1 allen key



2 hex head cap screws



2 Phillips screws



2 washers



1 clear plastic spacer



3 flathead screws



(3 different lengths)

AXIS T92A20

1 AXIS T8123 High PoE Midspan

1 RJ45 Patch cable 0.5m

1 desiccant bag

1 wall bracket

Wall bracket with internal cable channel

Axis Network Camera*

AXIS P1311, AXIS Q1755, AXIS 210/ 210A, AXIS 211/211A/211M/211W, AXIS 221, AXIS 223M

printed installation guide

Instructions on how to install the camera on the network

Required cable (not included)

1 network cable

Shielded Twisted Pair (STP) cable recommended

Tools (not included)

1 flathead screw driver

1 Phillips screw driver

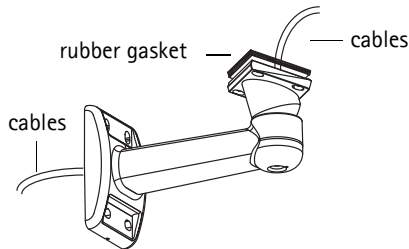
1 small (2mm) flathead screw driver

2 Install the bracket

Install the mount for AXIS T92A20 on a wall ceiling or pole and make sure that the screws and plugs are appropriate for the material (e.g. wood, metal, sheet rock, stone). Install the wall bracket in the intended position.

Wall bracket with internal cable channel

1. Install the wall bracket/holder on a wall, ceiling or pole using the appropriate screws for the weight of the housing and the material.
2. Attach the rubber gasket and make holes for the cables.
3. Pull a sufficient length of the cables through for the housing and camera (approximately 50cm 20 inches).



Wall bracket (internal cable channel)

4. Proceed to *"Install the camera in the housing"* on page 6.

Note:

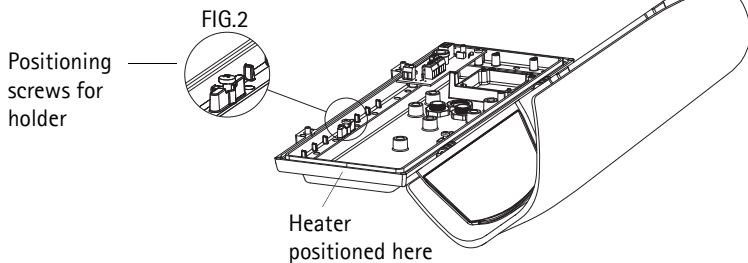
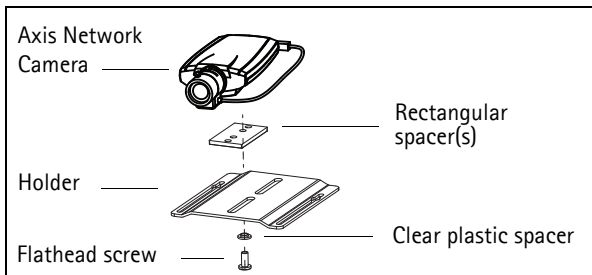
Please visit the Axis web site at www.axis.com for a comprehensive list of available brackets and accessories.

3 Install the camera in the housing

AXIS T92A20 comes with a pre-installed 12V High PoE Splitter.

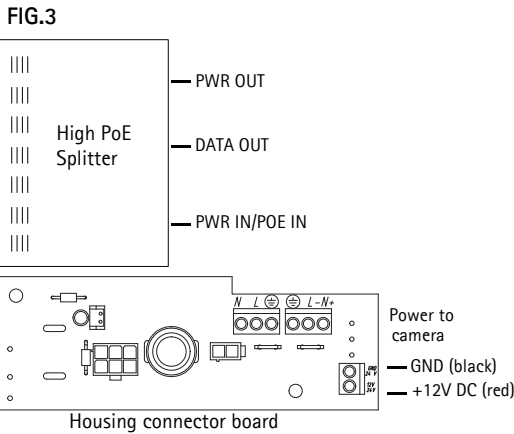
1. Loosen the 2 Phillips positioning screws to remove the holder from camera housing (fig.1).
1. The housing is shipped with 3 black plastic spacers. Use one, two or three spacers between the camera and holder:
 - AXIS P1311 - 1 spacer
 - AXIS Q1755 - 1 spacer
 - AXIS 210/210A - 2 spacers
 - AXIS 211/211A/211M/211W - 2 spacers
 - AXIS 221/223M - 1 spacer
2. Secure the camera, spacer(s) and holder with one of the three screws (flathead) and clear plastic spacer (fig.1).
3. Fit the slots on the holder to the positioning screws (fig.2).
 - Make sure that the camera lens is positioned more than 2mm above the heater and that the cables are not in contact with the heater
 - Make sure that the camera is positioned so the lens is 1-2mm from the housing window.
4. Slide the holder to a suitable position and tighten the positioning screws when satisfied.
5. Proceed to *"Connect power and network cables to the camera"* on page 7.

FIG.1



4 Connect power and network cables to the camera

1. The pre-installed red (+) and black (GND) wires are used to power the camera (fig.3).
2. Connect the wires to the terminal connector on the Axis network camera (fig.4).
3. Connect the supplied RJ45 patch cable to the **Data Out** connector on the pre-installed High PoE Splitter (fig.3).
4. Connect the RJ45 Patch cable to the network connector on the camera.
5. Proceed to *"Route the cables to the housing"* on page 9.



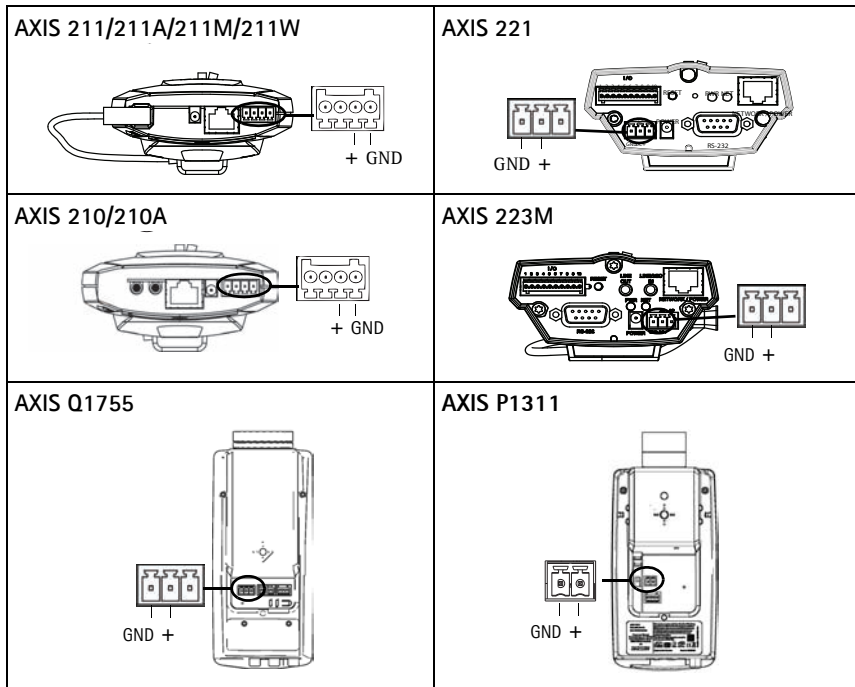
Note: The camera models have different terminal connectors. Be sure to follow the correct description for the installed camera (fig.4).

Red/black power cable

+ / GND	Wire	Connector board	Camera
+	Red	DC Power (+)	Camera DC Power (+)
GND	Black	GND	Camera (GND)

Axis network cameras - power terminal connectors

FIG. 4



5 Route the cables to the housing

The following instructions describe the installation of the housing on the bracket:

1. Route the cables from the bracket through the holes on the underside of the housing.
2. Secure AXIS T92A20 to the wall bracket using the supplied wall bracket screws.
3. Connect the network cable to the PWR IN/POE IN connector on the High PoE Splitter (fig.3).
4. If applicable, connect the I/O cables to the camera connectors as described in the installation guide supplied with the camera.

6 Connect power to the housing

Warning! Please observe relevant national and local regulations for the installation.

1. Connect the network cable to the AXIS T8123 High PoE Midspan. See Installation Guide for AXIS T8123 High PoE Midspan for details.

7 Complete the installation

1. Check that all cables and wires in the housing are properly connected.
2. Connect the AC mains power cable to the AXIS T8123 High PoE Midspan and check that the LEDs on the camera light up according to the description in the Installation Guide.
3. Follow the instructions in the Installation Guide to install the camera on the network.
4. Once the installation is complete and the camera focus has been set, close the lid and tighten the screws to lock the housing using the supplied hexagonal key.
5. The installation is now complete.

Note: The Axis network camera installation guide is shipped with the camera or available from the Axis web site at www.axis.com

Installation Guide

AXIS T92A20

© Axis Communications AB, 2009-2013

Ver.1.1

Printed: June 2013

Part No. 52620