

ENGLISH

FRANÇAIS

DEUTSCH

ITALIANO

ESPAÑOL

日本語

中文

AXIS Q35-VE Series

AXIS Q3504-VE Fixed Dome Network Camera

AXIS Q3505-VE Mk II Fixed Dome Network Camera

Installation Guide

Legal Considerations

Video and audio surveillance can be regulated by laws that vary from country to country. Check the laws in your local region before using this product for surveillance purposes.

This product includes one (1) H.264 decoder license and one (1) AAC decoder license. To purchase further licenses, contact your reseller.

Liability

Every care has been taken in the preparation of this document. Please inform your local Axis office of any inaccuracies or omissions. Axis Communications AB cannot be held responsible for any technical or typographical errors and reserves the right to make changes to the product and manuals without prior notice. Axis Communications AB makes no warranty of any kind with regard to the material contained within this document, including, but not limited to, the implied warranties of merchantability and fitness for a particular purpose. Axis Communications AB shall not be liable nor responsible for incidental or consequential damages in connection with the furnishing, performance or use of this material. This product is only to be used for its intended purpose.

Intellectual Property Rights

Axis AB has intellectual property rights relating to technology embodied in the product described in this document. In particular, and without limitation, these intellectual property rights may include one or more of the patents listed at www.axis.com/patent.htm and one or more additional patents or pending patent applications in the US and other countries.

This product contains licensed third-party software. See the menu item "About" in the product's user interface for more information.

This product contains source code copyright Apple Computer, Inc., under the terms of Apple Public Source License 2.0 (see www.opensource.apple.com/aps/). The source code is available from <https://developer.apple.com/bonjour/>

Equipment Modifications

This equipment must be installed and used in strict accordance with the instructions given in the user documentation. This equipment contains no user-serviceable components. Unauthorized equipment changes or modifications will invalidate all applicable regulatory certifications and approvals.

Trademark Acknowledgments

AXIS COMMUNICATIONS, AXIS, ETRAX, ARTPEC and VAPIX are registered trademarks or trademark applications of Axis AB in various jurisdictions. All other company names and products are trademarks or registered trademarks of their respective companies.

Apple, Boa, Apache, Bonjour, Ethernet, Internet Explorer, Linux, Microsoft, Mozilla, Real, SMPTE, QuickTime, UNIX, Windows, Windows Vista and WWW are registered trademarks of the respective holders. Java and all Java-based trademarks and logos are trademarks or registered trademarks of Oracle and/or its affiliates. UPnP™ is a certification mark of the UPnP™ Implementers Corporation.

SD, SDHC and SDXC are trademarks or registered trademarks of SD-3C, LLC in the United States, other countries or both. Also, miniSD, microSD, miniSDHC, microSDHC, microSDXC are all trademarks or registered trademarks of SD-3C, LLC in the United States, other countries or both.

Regulatory Information

Europe

CE This product complies with the applicable CE marking directives and harmonized standards:

- Restrictions of Hazardous Substances (RoHS) Directive 2011/65/EU. See *Disposal and Recycling 3*.

A copy of the original declaration of conformity may be obtained from Axis Communications AB. See *Contact Information 3*.

Electromagnetic Compatibility (EMC)

This equipment has been designed and tested to fulfill applicable standards for:

- Radio frequency emission when installed according to the instructions and used in its intended environment.
- Immunity to electrical and electromagnetic phenomena when installed according to the instructions and used in its intended environment.

USA

This equipment has been tested using a shielded network cable (STP) and found to comply with the limits for a Class A digital device, pursuant to part 15 of the FCC Rules. These limits are designed to provide reasonable protection against harmful interference when the equipment is operated in a commercial environment. This equipment generates, uses, and can radiate radio frequency energy and, if not installed and used in accordance with the instruction manual, may cause harmful interference to radio communications. Operation of this equipment in a residential area is likely to cause harmful interference in which case the user will be required to correct the interference at his own expense. The product shall be connected using a shielded network cable (STP) that is properly grounded.

Canada

This digital apparatus complies with CAN ICES-3 (Class A). The product shall be connected using a shielded network cable (STP) that is properly grounded. Cet appareil numérique est conforme à la norme NMB ICES-3 (classe A). Le produit doit être connecté à l'aide d'un câble réseau blindé (STP) qui est correctement mis à la terre.

Europe

This digital equipment fulfills the requirements for RF emission according to the Class A limit of EN 55032. The product shall be connected using a shielded network cable (STP) that is properly grounded. Notice! This is a Class A product. In a domestic environment this product may cause RF interference, in which case the user may be required to take adequate measures.

This product fulfills the requirements for emission and immunity according to EN 50121-4 and IEC 62236-4 railway applications.

This product fulfills the requirements for immunity according to EN 61000-6-1 residential, commercial and light-industrial environments.

This product fulfills the requirements for immunity according to EN 61000-6-2 industrial environments.

This product fulfills the requirements for immunity according to EN 55024 office and commercial environments.

Australia/New Zealand

This digital equipment fulfills the requirements for RF emission according to the Class A limit of AS/NZS CISPR 32. The product shall be connected using a shielded network cable (STP) that is properly grounded. Notice! This is a

Class A product. In a domestic environment this product may cause RF interference, in which case the user may be required to take adequate measures.

Japan

この装置は、クラスA 情報技術装置です。この装置を家庭環境で使用すると電波妨害を引き起こすことがあります。この場合には使用者が適切な対策を講ずるよう要求されることがあります。本製品は、シールドネットワークケーブル(STP)を使用して接続してください。また適切に接地してください。

Korea

이 기기는 가정용(B급) 전자파적합기기로서 주로 가정에서 사용하는 것을 목적으로 하며, 모든 지역에서 사용할 수 있습니다. 적절히 접지된 STP (shielded twisted pair) 케이블을 사용하여 제품을 연결 하십시오.

Safety

This product complies with IEC/EN/UL 60950-1 and IEC/EN/UL 60950-22, Safety of Information Technology Equipment. The product shall be grounded either through a shielded network cable (STP) or other appropriate method.

Disposal and Recycling

When this product has reached the end of its useful life, dispose of it according to local laws and regulations. For information about your nearest designated collection point, contact your local authority responsible for waste disposal. In accordance with local legislation, penalties may be applicable for incorrect disposal of this waste.

Europe



■ This symbol means that the product shall not be disposed of together with household or commercial waste. Directive 2012/19/EU on waste electrical and electronic equipment (WEEE) is applicable in the European Union member states. To prevent potential harm to human health and the environment, the product must be disposed of in an approved and environmentally safe recycling process. For information about your nearest designated collection point, contact your local authority responsible for waste disposal. Businesses should contact the product supplier for information about how to dispose of this product correctly.

This product complies with the requirements of Directive 2011/65/EU on the restriction of the use of certain hazardous substances in electrical and electronic equipment (RoHS).

China



This product complies with the requirements of the legislative act Administration on the Control of Pollution Caused by Electronic Information Products (ACPEIP).

Contact Information

Axis Communications AB
Emdalavägen 14
223 69 Lund
Sweden

Tel: +46 46 272 18 00

Fax: +46 46 13 61 30

www.axis.com

Support

Should you require any technical assistance, please contact your Axis reseller. If your questions cannot be answered immediately, your reseller will forward your queries through

the appropriate channels to ensure a rapid response. If you are connected to the Internet, you can:

- download user documentation and software updates
- find answers to resolved problems in the FAQ database. Search by product, category, or phrase
- report problems to Axis support staff by logging in to your private support area
- chat with Axis support staff
- visit Axis Support at www.axis.com/techsup/

Learn More!

Visit Axis learning center www.axis.com/academy/ for useful trainings, webinars, tutorials and guides.

Safety Information

Read through this Installation Guide carefully before installing the product. Keep the Installation Guide for future reference.

Hazard Levels

▲DANGER

Indicates a hazardous situation which, if not avoided, will result in death or serious injury.

▲WARNING

Indicates a hazardous situation which, if not avoided, could result in death or serious injury.

▲CAUTION

Indicates a hazardous situation which, if not avoided, could result in minor or moderate injury.

NOTICE

Indicates a situation which, if not avoided, could result in damage to property.

Other Message Levels

Important

Indicates significant information which is essential for the product to function correctly.

Note

Indicates useful information which helps in getting the most out of the product.

Safety Instructions

NOTICE

- The Axis product shall be used in compliance with local laws and regulations.
- Store the Axis product in a dry and ventilated environment.
- Avoid exposing the Axis product to shocks or heavy pressure.
- Do not install the product on unstable brackets, surfaces or walls.
- Use only applicable tools when installing the Axis product. Using excessive force with power tools could cause damage to the product.
- Do not use chemicals, caustic agents, or aerosol cleaners.
- Use a clean cloth dampened with pure water for cleaning.
- Use only accessories that comply with the technical specification of the product. These can be provided by Axis or a third party.
- Use only spare parts provided by or recommended by Axis.
- Do not attempt to repair the product yourself. Contact Axis support or your Axis reseller for service matters.

Transportation

NOTICE

- When transporting the Axis product, use the original packaging or equivalent to prevent damage to the product.

Battery

The Axis product uses a 3.0 V CR2032 lithium battery as the power supply for its internal real-time clock (RTC). Under normal conditions this battery will last for a minimum of five years.

Low battery power affects the operation of the RTC, causing it to reset at every power-up. When the battery needs replacing, a log message will appear in the product's server report. For more information about the server report, see the product's setup pages or contact Axis support.

The battery should not be replaced unless required, but if the battery does need replacing, contact Axis support at www.axis.com/techsup for assistance.

Lithium coin cell 3.0 V batteries contain 1,2-dimethoxyethane; ethylene glycol dimethyl ether (EGDME), CAS no. 110-71-4.

⚠WARNING

- Risk of explosion if the battery is incorrectly replaced.
- Replace only with an identical battery or a battery which is recommended by Axis.

- Dispose of used batteries according to local regulations or the battery manufacturer's instructions.

Dome Cover

NOTICE

- Be careful not to scratch, damage or leave fingerprints on the dome cover because this could decrease image quality. If possible, keep the protective plastic on the dome cover until the installation is complete.
- Do not clean a dome cover that looks clean to the eye and never polish the surface. Excessive cleaning could damage the surface.
- For general cleaning of the dome cover it is recommended to use a non-abrasive, solvent-free neutral soap or detergent mixed with pure water and a soft, clean cloth. Rinse well with pure lukewarm water. Dry with a soft, clean cloth to prevent water spotting.
- Never use harsh detergents, gasoline, benzene or acetone etc. and avoid cleaning the dome cover in direct sunlight or at elevated temperatures.

About the Installation Guide

This Installation Guide provides instructions for installing AXIS Q3504-VE Fixed Dome Network Camera or AXIS Q3505-VE Mk II Fixed Dome Network Camera on your network. For other aspects of using the product, see the User Manual available at www.axis.com

Installation Steps

1. Make sure the package contents, tools and other materials necessary for the installation are in order. See *page 9*.
2. Study the hardware overview. See *page 10*.
3. Study the specifications. See *page 15*.
4. Install the hardware. See *page 17*.
5. Access the product. See *page 24*.

Package Contents

- AXIS Q3504-VE Fixed Dome Network Camera or AXIS Q3505-VE Mk II Fixed Dome Network Camera
- Resistorx® L-key TR20
- I/O connector
- Extra cable gaskets
 - Cable Gasket M20 5 mm (for cable diameter 5–10 mm)
 - Cable Gasket M20 3 mm (for cable diameter 3–5 mm)
- Weather shield
- AXIS Conduit Adapter U-Shape 30 mm A
- RJ45 mounting tool
- Printed materials
 - Installation Guide (this document)
 - Drill template (2x)
 - Extra serial number label (2x)
 - AVHS Authentication key

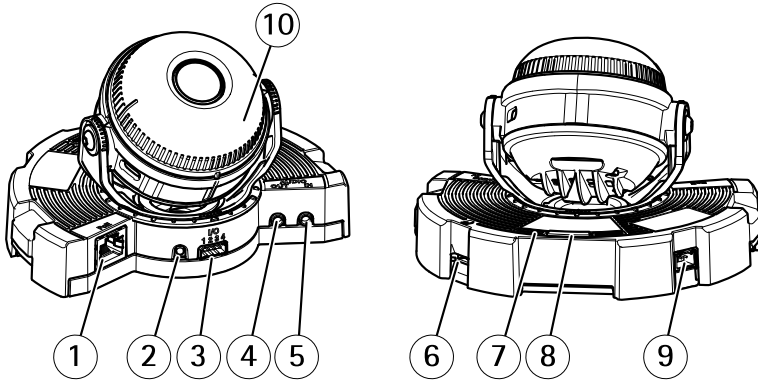
Optional Accessories

For a complete list of available accessories for this product, see www.axis.com

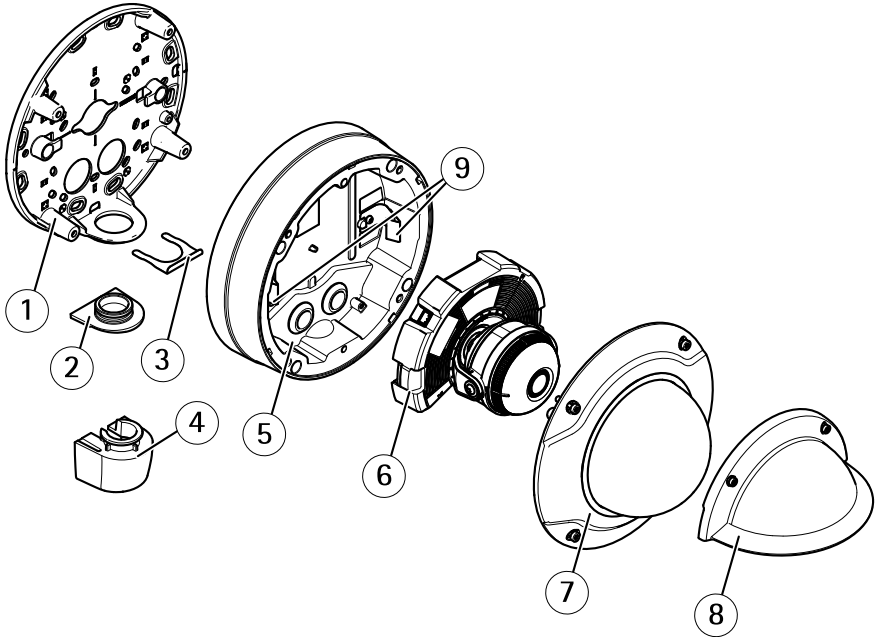
Hardware Overview

Note

3–9 mm lens: Pressing the lens too hard while cleaning may cause the lens to move down. If this happens while the camera is in operation, re-calibrate the optics by clicking Calibrate from the Server Maintenance web page (System Options > Maintenance).



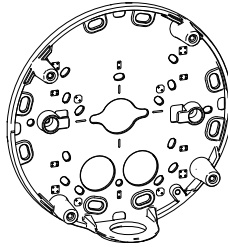
- 1 Network connector
- 2 Control button
- 3 I/O connector
- 4 Audio out
- 5 Audio in
- 6 SD card slot
- 7 Status LED
- 8 Function button
- 9 AC/DC connector for power accessory
- 10 Heater **Caution!** The heater may be hot.







- 1 *Mounting bracket*
- 2 *Side lid covering side hole in mounting bracket*
- 3 *Locking clip*
- 4 *Conduit adaptor*
- 5 *Unit casing*
- 6 *Camera unit*
- 7 *Dome cover*
- 8 *Weather shield*
- 9 *Springs*

Mounting Bracket

The mounting bracket has 4 mounting patterns. The mounting patterns follow the standard for the following mounting options:



-  : 4" square box
-  : standard-sized US double gang junction box
-  : 4" octagon box
-  : standard-sized US single gang junction box

LED Indicators

Note

- The Status LED can be configured to flash while an event is active.
- The Status LED can be configured to flash for identifying the unit. Go to **Setup > System Options > Maintenance** .

Status LED	Indication
Unlit	Connection and normal operation.
Green	Shows steady green for 10 seconds for normal operation after startup completed.
Amber	Steady during startup. Flashes during firmware upgrade.
Amber/Red	Flashes amber/red if network connection is unavailable or lost.

Status LED Behavior and Buzzer Signal for Levelling Assistant

For information on the Function button used for levelling the image, see *Connectors and Buttons*.

Color	Buzzer	Camera position
Fixed green	Continuous beep	Level
Flashing green	Fast interval	Almost level
Flashing orange	Medium interval	Not level
Flashing red	Slow interval	Far from level

Connectors and Buttons

For specifications and operating conditions, see *page 15*.

Network Connector

RJ45 Ethernet connector with Power over Ethernet (PoE).

NOTICE

The product shall be connected using a shielded network cable (STP). All cables connecting the product to the network shall be intended for their specific use. Make sure that the network devices are installed in accordance with the manufacturer's instructions. For information about regulatory requirements, see *Electromagnetic Compatibility (EMC) 2*.

I/O Connector

Use with external devices in combination with, for example, tampering alarms, motion detection, event triggering, time lapse recording and alarm notifications. In addition to the 0 V DC reference point and power (DC output), the I/O connector provides the interface to:

- **Digital output** – For connecting external devices such as relays and LEDs. Connected devices can be activated by the VAPIX® Application Programming Interface, output buttons on the Live View page or by an Action Rule. The output will show as active (shown under *System Options > Ports & Devices*) if the alarm device is activated.
- **Digital input** – An alarm input for connecting devices that can toggle between an open and closed circuit, for example: PIRs, door/window contacts, glass break detectors, etc. When a signal is received the state changes and the input becomes active (shown under *System Options > Ports & Devices*).

Audio Connector

The Axis product has the following audio connectors:

- **Audio in (pink)** – 3.5 mm input for a mono microphone, or a line-in mono signal.
- **Audio out (green)** – 3.5 mm output for audio (line level) that can be connected to a public address (PA) system or an active speaker with a built-in amplifier. A stereo connector must be used for audio out.

AXIS Q35-VE Series

3.5 mm audio connectors (stereo)



	1 Tip	2 Ring	3 Sleeve
Audio Input	Balanced: 'Hot' signal Microphone/Line in Unbalanced: Microphone/Line in	Balanced: 'Cold' signal Microphone/Line in Unbalanced: Unused	Ground
Audio Output	Line out (mono)		Ground

SD card slot

NOTICE

- Risk of damage to SD card. Do not use sharp tools, metal objects or excessive force when inserting or removing the SD card. Use your fingers to insert and remove the card.
- Risk of data loss and corrupted recordings. Do not remove the SD card while the product is running. Disconnect power or unmount the SD card from the Axis product's webpages before removal.

This product supports microSD/microSDHC/microSDXC cards (not included).

For SD card recommendations, see www.axis.com

Control Button

For location of the control button, see *Hardware Overview on page 10*.

The control button is used for:

- Resetting the product to factory default settings. See *page 26*.
- Connecting to an AXIS Video Hosting System service or AXIS Internet Dynamic DNS Service. For more information about these services, see the User Manual.

Function Button

The function button has multiple functions:

- **As Levelling Assistant** – This function helps to ensure the image is level. Press the button for about 2 seconds to start the levelling assistant and press again to stop. The status LED (see *page 12*) and buzzer signal assist levelling of the image. The image is level when the buzzer beeps continuously.

- To view the Status LED – Press the button once to light up the Status LEDs. Press again to turn them off. The LEDs will turn off automatically after 10 seconds.

Multicable (sold separately)

The multicable can be purchased from an Axis reseller for connecting external equipment to the Axis product. The cable provides the following connectors:

I/O connector – See *Connectors* on page 16.

Audio connector – See *Connectors* on page 16.

Power connector – Connector for AC and DC power for connection to the AXIS T8051 Power Converter AC/DC to DC (not included) wires.

Wires	Specifications
Red	+ DC or AC
Black	- DC or AC

Specifications

Operating Conditions

Product	Classification	Temperature	Humidity
AXIS Q3504-VE AXIS Q3505-VE Mk II	IEC 60529 IP66 and IP67 NEMA 250 4X-rated	-50 °C to 60 °C (-58 °F to 140 °F)	10–100% RH (condensing)

Power Consumption

Product	PoE	DC	AC
AXIS Q3504-VE AXIS Q3505-VE Mk II	IEEE 802.3af/802.3at Type 1, Class 3, max 11.7 W	8–28 V DC, max 16.5 W	20–24 V AC, max 24.5 VA

AXIS Q35-VE Series

Connectors

I/O Connector

Function	Pin	Notes	Specifications
0 V DC (-)	1		0 V DC
DC output	2	Can be used to power auxiliary equipment. Note: This pin can only be used as power out.	12 V DC Max load = 50 mA
Configurable (Input or Output)	3-4	Digital input – Connect to pin 1 to activate, or leave floating (unconnected) to deactivate.	0 to max 30 V DC
		Digital output – Connected to pin 1 when activated, floating (unconnected) when deactivated. If used with an inductive load, e.g. a relay, a diode must be connected in parallel with the load, for protection against voltage transients.	0 to max 30 V DC, open drain, 100 mA

For an example diagram, see *I/O Connector* on page 17.

Audio Connector

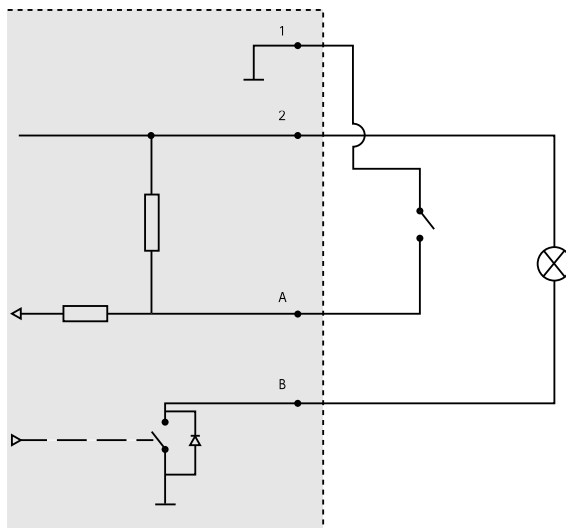
3.5 mm audio connectors (stereo)



	1 Tip	2 Ring	3 Sleeve
Audio Input	Balanced: 'Hot' signal Microphone/Line in Unbalanced: Microphone/Line in	Balanced: 'Cold' signal Microphone/Line in Unbalanced: Unused	Ground
Audio Output	Line out (mono)		Ground

Connection Diagrams

I/O Connector



- 1 0 V DC (-)
- 2 DC output 12 V, max 50 mA
- A I/O configured as input
- B I/O configured as output

Install the Hardware

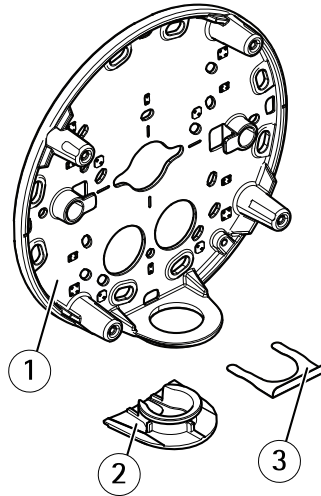
Route the cables

- If you want to route the cables **along** the wall, see [page 17](#).
- If you want to route the cables **through** the wall, see [page 19](#).
- If you are attaching a pipe to the mounting bracket, see [page 20](#)
- If you are using a conduit adaptor to route the cables along the wall, see the Installation Guide delivered with the conduit adaptor.

Route the cables along the wall

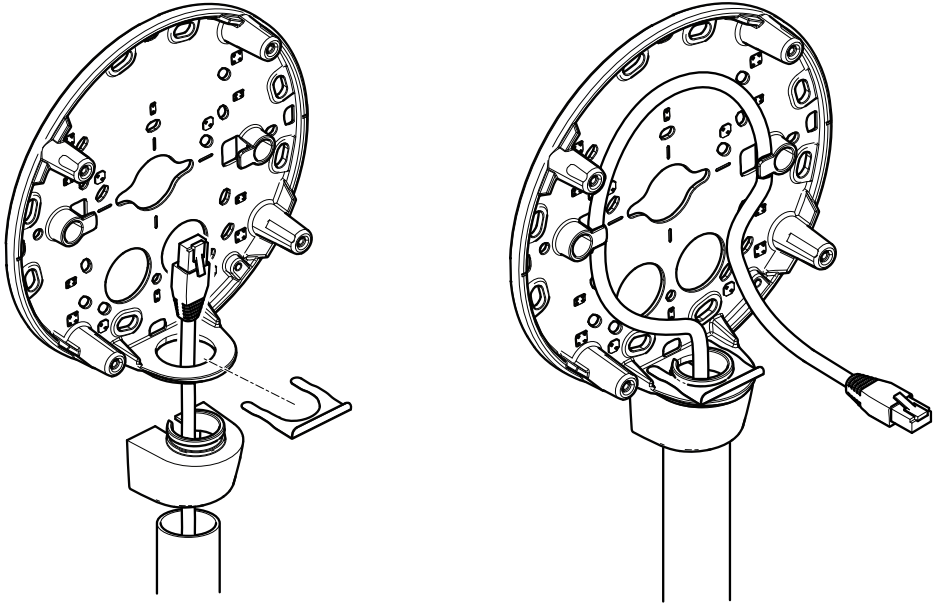
1. Use the drill template to drill four holes for the mounting bracket.
2. Remove the locking clip and the side lid.

AXIS Q35-VE Series



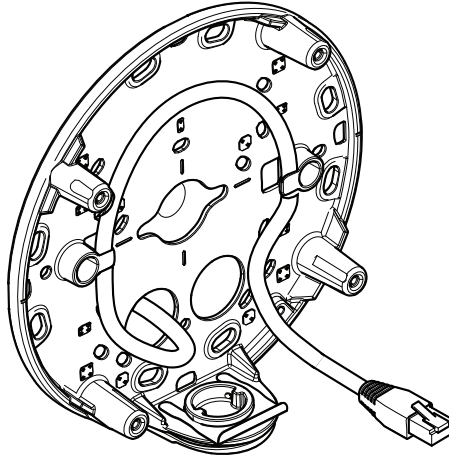
- 1 *Mounting bracket*
- 2 *Side lid*
- 3 *Locking clip*

3. Attach an appropriate conduit with the locking clip to hold it in place.
4. Attach the mounting bracket to the wall with appropriate screws.
5. Route the cable through the conduit.
6. Wind the network cable along the grooves on the mounting bracket to keep extra cable length that may be required later.



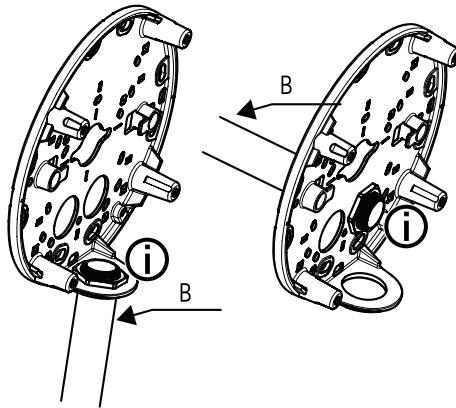
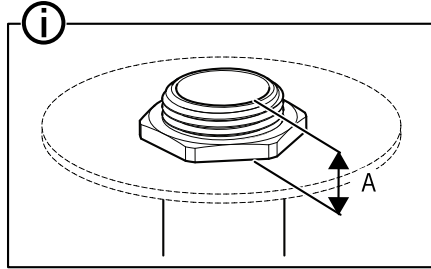
Route the cables through the wall

1. Use the drill template to drill four holes for the mounting bracket, and one hole for each cable.
2. Attach the mounting bracket to the wall with appropriate screws.
3. Route the network cable and, if used, the multi-connector cable through the wall and the mounting bracket.
4. Wind the network cable along the grooves on the mounting bracket to keep extra cable length that may be required later.



How to attach a pipe mounting to the mounting bracket

1. Attach the mounting plate to the wall.
2. Attach the pipe with the lock nut using loctite between the nut and the threads on the pipe. Make sure distance A is within the limits.



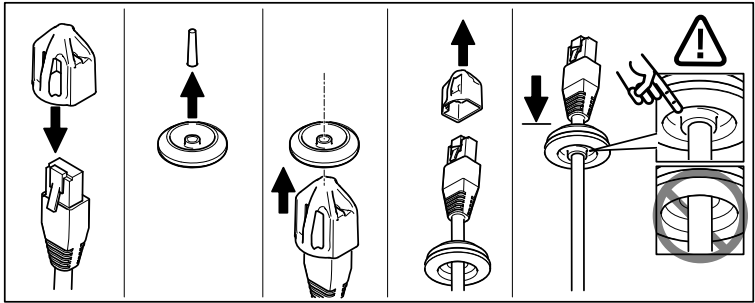
- A Maximum 8 mm
- B 3/4" pipe

Connect the cables and attach the unit casing to the mounting bracket

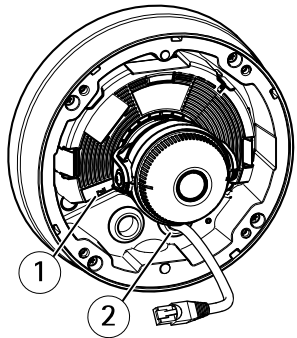
1. Insert an SD card in the camera unit (optional).
2. Push the network cable through the black cable gasket in one of the holes in the unit casing, using the connector guard provided.
3. Pull the network cable back slightly so that the cable gasket adjusts itself on the cable.

NOTICE

Not pulling the cable back could cause water to seep in and damage the product.



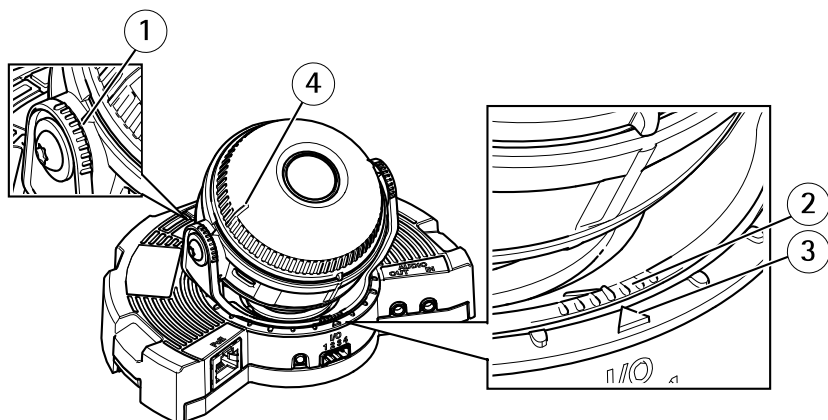
4. Route the network cable through the cable gasket farthest from the network connector in the camera unit.



- 1 Network connector
- 2 Cable gasket

5. To attach the unit casing to the mounting bracket, tighten the four tamper-proof screws using the Resistorx® key TR20.
6. Connect the cable to the camera unit.
7. Pull the springs aside in the unit casing and attach camera unit to the unit casing.

Adjust the camera angle

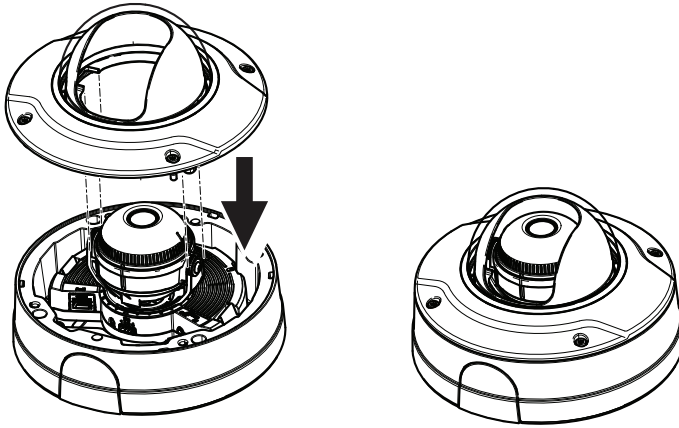


- 1 Lines on optic holder that indicate an increment in the tilt angle by 10°
- 2 Small lines on optic mount that indicate a pan increment of 3°
- 3 Lines on optic mount that indicate a pan increment of 15°
- 4 Lines on lens cover to help ensure camera is level

1. Pan, tilt and rotate the camera to cover the area under surveillance. It is possible to pan 360°, and tilt to an angle of 90°.
2. Pan and rotate the lens to adjust the image.
3. Use the two lines on the lens cover to ensure that the camera is level. To activate levelling aid, press the function button. See *Function Button* on page 14.

Attach the dome cover

1. Make sure the rubber gasket sits securely in the dome cover when you attach the dome cover to the unit casing.
2. Slip the grooves in the black shield, over the screws on either side of the camera's optic holder.
3. If you are using a weather shield, attach the weather shield to the dome cover. Use the two screws delivered with the weather shield.
4. Attach the dome cover to the unit casing with the Resistorx® key TR20.
5. Remove the protective film from the dome cover.



Access the Product

AXIS IP Utility and AXIS Camera Management are recommended methods for finding Axis products on the network and assigning them IP addresses in Windows®. Both applications are free and can be downloaded from www.axis.com/techsup

The product can be used with most operating systems and browsers. We recommend the following browsers:

- Internet Explorer® with Windows®
- Safari® with OS X®
- Chrome™ or Firefox® with other operating systems.

For more information about using the product, see the User Manual available at www.axis.com

Set focus and zoom

These instructions are valid if you have selected **Optical zoom** for installation during camera startup.

1. Go to **Video & Audio > Focus & Zoom**.
2. On the **Basic** tab, set the **zoom** level using the slider.
Click the < or > button to move the zoom position one step.
Click the << or >> button to move the zoom position in multiple steps.

Note

Movements in front of the camera should be avoided when performing autofocus.

3. Click **Perform autofocus**.

4. If the autofocus was not satisfying, go to the **Advanced** tab.

On the **Advanced** tab, focus can be adjusted manually:

1. Click **Open iris** to open the iris to its maximum position. This gives the smallest depth of field and provides the best conditions for focusing.
2. Focus is set in the **Focus window**. Use the mouse to move and resize the focus window.
3. Click in the **Focus position** bar to focus on a desired location.
Click the < or > button to move the focus position one step.
Click the << or >> button to move the focus position in multiple steps.
4. When satisfied, click **Enable iris** to enable the iris.

Set focus and zoom limits

These instructions are valid if you have selected **Optical zoom for monitoring** during camera startup.

To set focus and zoom for a new preset position:

1. Go to **PTZ > Preset Positions** and set the focus and zoom for your preferred area in the camera image.
2. Enter a name for your preset position in the **Current position** field and select **Use current position as Home**.
3. Click **Add** to add your current position as a preset position.
4. Select your preset position in the **Available positions** drop-down list.
5. Click **Go to** to set the camera in your preset position.
6. Click **Save**.

To set limits for focus and zoom:

1. Go to **Video & Audio > Focus & Zoom**.
2. Select a value in the drop-down list for **Zoom tele limit** to limit the camera's maximum zoom area.
The digital zoom level is indicated with the letter **D**.
3. To preview the zoom tele limit, click **Go to**.
4. Select a value in the drop-down list for **Focus near limit** to prevent the camera from focusing on objects that are too close.
5. Click **Save**.

Note

You can still set focus and zoom in **Video & Audio > Focus & Zoom**, but your settings are not saved after camera restart.

Reset to Factory Default Settings

Important

Reset to factory default should be used with caution. A reset to factory default will reset all settings, including the IP address, to the factory default values.

Note

The installation and management software tools are available from the support pages on www.axis.com/techsup

To reset the product to the factory default settings:

1. Disconnect power from the product.
2. Press and hold the control button and reconnect power. See *Hardware Overview on page 10*.
3. Keep the control button pressed for 15–30 seconds until the status LED indicator flashes amber.
4. Release the control button. The process is complete when the status LED indicator turns green. The product has been reset to the factory default settings. If no DHCP server is available on the network, the default IP address is 192.168.0.90
5. Using the installation and management software tools, assign an IP address, set the password, and access the video stream.

It is also possible to reset parameters to factory default via the web interface. Go to **Setup > System Options > Maintenance** and click **Default**.

Further information

- For the latest version of this document, see www.axis.com
- The user manual is available at www.axis.com
- To check if there is updated firmware available for your product, see www.axis.com/support
- For useful online trainings and webinars, see www.axis.com/academy

Warranty Information

For information about Axis' product warranty and thereto related information, see www.axis.com/warranty/

Informations sur la sécurité

Lisez attentivement ce guide d'installation avant d'installer l'appareil. Conservez le guide d'installation pour toute référence ultérieure.

Niveaux de risques

▲DANGER

Indique une situation dangereuse qui, si elle n'est pas évitée, entraînera le décès ou des blessures graves.

▲AVERTISSEMENT

Indique une situation dangereuse qui, si elle n'est pas évitée, pourrait entraîner le décès ou des blessures graves.

▲ATTENTION

Indique une situation dangereuse qui, si elle n'est pas évitée, pourrait entraîner des blessures légères ou modérées.

AVIS

Indique une situation qui, si elle n'est pas évitée, pourrait endommager l'appareil.

Autres niveaux de message

Important

Indique les informations importantes, nécessaires pour assurer le bon fonctionnement de l'appareil.

Note

Indique les informations utiles qui permettront d'obtenir le fonctionnement optimal de l'appareil.

Consignes de sécurité

AVIS

- Le produit Axis doit être utilisé conformément aux lois et réglementations locales en vigueur.
- Conserver ce produit Axis dans un environnement sec et ventilé.
- Ne pas exposer ce produit Axis aux chocs ou aux fortes pressions.
- Ne pas installer ce produit sur des supports, surfaces ou murs instables.
- Utiliser uniquement des outils recommandés pour l'installation de l'appareil Axis. L'application d'une force excessive sur l'appareil avec des outils puissants pourrait l'endommager.
- Ne pas utiliser de produits chimiques, de substances caustiques ou de nettoyeurs pressurisés.
- Utiliser un chiffon propre imbibé d'eau pure pour le nettoyage.
- Utiliser uniquement des accessoires conformes aux caractéristiques techniques du produit. Ils peuvent être fournis par Axis ou un tiers.
- Utiliser uniquement les pièces de rechange fournies ou recommandées par Axis.
- Ne pas essayer de réparer vous-même ce produit. Contacter l'assistance technique d'Axis ou votre revendeur Axis pour des problèmes liés à l'entretien.

Transport

AVIS

- Lors du transport du produit Axis, utilisez l'emballage d'origine ou un équivalent pour éviter d'endommager le produit.

Batterie

Le produit Axis utilise une batterie au lithium CR2032 3,0 V comme alimentation de son horloge en temps réel interne (RTC). Dans des conditions normales, cette batterie a une durée de vie minimale de cinq ans.

Si la batterie est faible, le fonctionnement de l'horloge en temps réel peut être affecté et entraîner sa réinitialisation à chaque mise sous tension. Un message enregistré apparaît dans le rapport de serveur du produit lorsque la batterie doit être remplacée. Pour tout complément d'information concernant le rapport de serveur, reportez-vous aux pages de Configuration du produit ou contactez l'assistance technique d'Axis.

La batterie doit être remplacée uniquement en cas de besoin, et pour ce faire, contactez l'assistance technique d'Axis à l'adresse www.axis.com/techsup et obtenir de l'aide.

Les piles boutons 3,0 V au lithium contiennent du 1,2-diméthoxyéthane, éthylène glycol diméthyl éther (EGDME), CAS N° 110-71-4.

⚠️ AVERTISSEMENT

- Risque d'explosion si la batterie est remplacée de façon incorrecte.
- Remplacez-la uniquement par une batterie identique ou une batterie recommandée par Axis.
- Mettez au rebut les batteries usagées conformément aux réglementations locales ou aux instructions du fabricant de la batterie.

Couvercle de dôme

AVIS

- Veillez à ne pas rayer, endommager ou laisser d'empreintes sur le couvercle du dôme car cela pourrait altérer la qualité d'image. Laissez, si possible, la protection en plastique sur le couvercle du dôme jusqu'à la fin de l'installation.
- Ne nettoyez pas le couvercle du dôme s'il semble propre à l'œil nu et ne frottez jamais sa surface. Un nettoyage excessif pourrait endommager la surface.
- Pour le nettoyage général du couvercle du dôme, il est recommandé d'utiliser un produit non abrasif, un savon neutre sans solvant ou un détergent mélangé avec de l'eau pure et un chiffon doux propre. Rincez bien à l'eau tiède pure. Séchez avec un chiffon doux et propre pour éviter les tâches d'eau.
- N'utilisez jamais de détergents agressifs, d'essence, de benzène ou d'acétone, etc. et évitez toute exposition directe aux rayons du soleil ou à des températures élevées lors du nettoyage.

À propos du Guide d'installation

Ce guide d'installation explique comment installer la caméra réseau AXIS Q3504-VE à dôme fixe ou la caméra réseau AXIS Q3505-VE Mk II à dôme fixe sur votre réseau. Pour toute autre information relative à l'utilisation du produit, consultez le manuel de l'utilisateur disponible sur le site www.axis.com

Procédures d'installation

1. Assurez-vous que les outils et autres matériels nécessaires à l'installation sont inclus dans l'emballage. Cf. *page 31*.
2. Consultez la description du matériel. Cf. *page 32*.
3. Étudiez les caractéristiques. Cf. *page 37*.
4. Installez le matériel. Cf. *page 39*.
5. Utilisez le produit. Cf. *page 46*.

Contenu de l'emballage

- Caméra réseau à dôme fixe AXIS Q3504-VE ou caméra réseau à dôme fixe AXIS Q3505-VE Mk II
- Clé Resitorx® TR20
- Connecteur d'E/S
- Joints de câble supplémentaires
 - Joint de câble M20 5 mm (pour diamètre de câble 5–10 mm)
 - Joint de câble M20 3 mm (pour diamètre de câble 3–5 mm)
- Protection étanche
- Adaptateur de conduit Axis en forme de U 30 mm A
- Outil de montage RJ45
- Documents imprimés
 - Guide d'installation (ce document)
 - Gabarit de perçage (2x)
 - Étiquette supplémentaire reprenant le numéro de série (2x)
 - Clé d'authentification AVHS

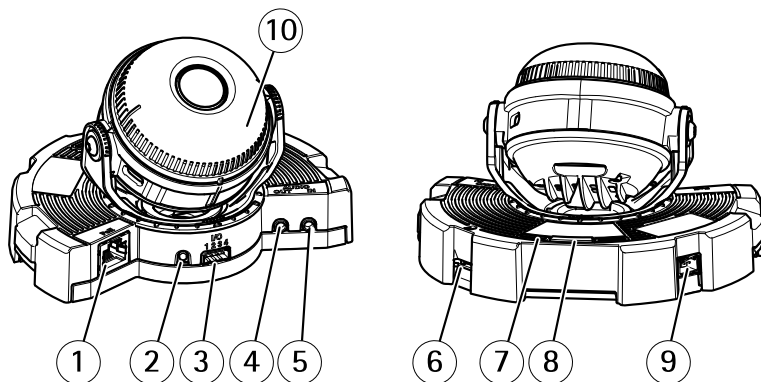
Accessoires en option

Pour obtenir la liste complète des accessoires disponibles pour ce produit, consultez www.axis.com

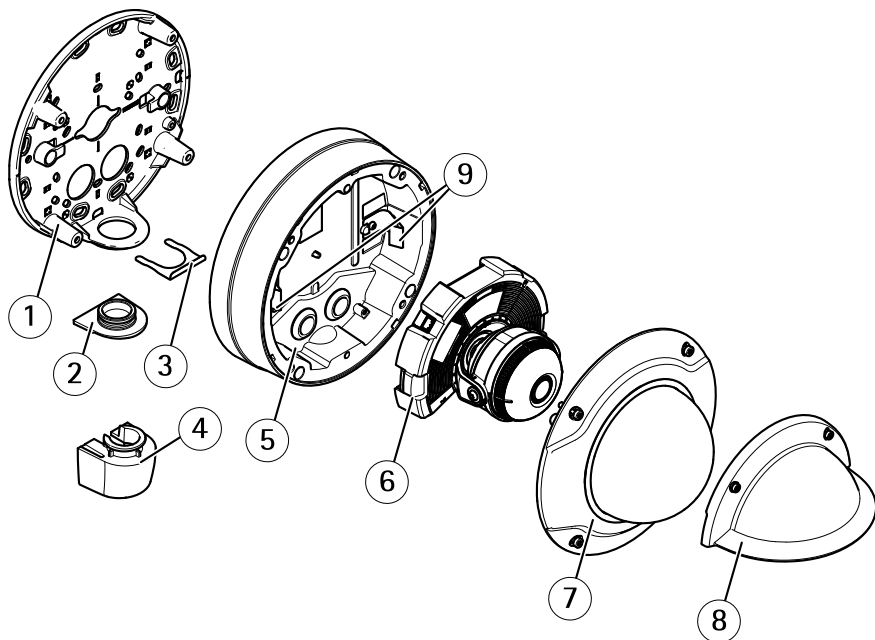
Aperçu du matériel

Note

Objectif 3-9 mm : Si vous appuyez trop fort sur l'objectif en le nettoyant, il peut s'abaisser. Si cela se produit alors que la caméra est en marche, recalibrez le système optique en cliquant sur **Calibrate** (Calibrer) dans la page **Web Server Maintenance** (Maintenance du serveur) (**System Options > Maintenance**) (Options système > Maintenance).



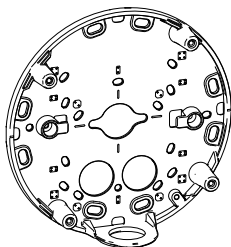
- 1 Connecteur réseau
- 2 Bouton de commande
- 3 Connecteur d'E/S
- 4 Sortie audio
- 5 Entrée audio
- 6 Emplacement pour carte SD
- 7 Voyant d'état
- 8 Bouton Fonction
- 9 Connecteur CA/CC pour les accessoires d'alimentation
- 10 Régulateur de chaleur **Attention !** Le régulateur de chaleur peut être chaud.







- 1 Support de fixation
- 2 Couverture latérale protégeant le trou latéral du support de fixation
- 3 Clip de verrouillage
- 4 Adaptateur de conduit
- 5 Boîtier de l'unité
- 6 Caméra
- 7 Couvercle de dôme
- 8 Protection étanche
- 9 Ressorts

Support de fixation

Le support de fixation dispose de 4 configurations de montage. Les configurations de montage suivent la norme des options de montage suivantes :



-  : boîtier carré de 4 po
-  : boîtier de jonction américain double de taille normale
-  : boîtier octogonal de 4 po
-  : boîtier de jonction américain simple de taille normale

Voyants

Note

- Le voyant d'état peut clignoter lorsqu'un événement est actif.
- Le voyant d'état peut clignoter pendant l'identification de l'appareil. Rendez-vous dans Setup > System Options > Maintenance (Configuration > Options du système > Maintenance).

Voyant d'état	Indication
Éteint	Branchement et fonctionnement normal.
Vert	Vert fixe pendant 10 secondes pour indiquer un fonctionnement normal après le démarrage.
Orange	Fixe pendant le démarrage. Clignote pendant la mise à niveau du microprogramme.
Orange / Rouge	Clignote en orange/rouge en cas d'indisponibilité ou de perte de la connexion réseau.

Comportement du voyant d'état et du signal sonore pour l'assistant de mise à niveau

Pour plus d'information sur le bouton Fonction utilisé pour la stabilisation de l'image, consultez *Connecteurs et boutons*.

Couleur	Avertisseur	Position de la caméra
Vert fixe	Signal sonore continu	Niveau
Clignote en vert	Intervalle rapide	Presque niveau
Orange clignotant	Intervalle intermédiaire	Pas niveau
Rouge clignotant	Intervalle lent	Loin du niveau

Connecteurs et boutons

Pour les caractéristiques et les conditions d'utilisation, consultez *page 37*.

Connecteur réseau

Connecteur Ethernet RJ45 avec l'alimentation par Ethernet (PoE).

AVIS

Le produit doit être connecté à l'aide d'un câble réseau blindé (STP). Tous les câbles reliant le produit au commutateur réseau doivent être destinés à leur usage spécifique. Assurez-vous que les périphériques réseau sont installés conformément aux instructions du fabricant. Pour plus d'informations sur les exigences réglementaires, consultez *Electromagnetic Compatibility (EMC) 2*.

Connecteur d'E/S

Utilisez-le avec des périphériques externes associés aux applications telles que les alarmes de détérioration, la détection de mouvement, le déclenchement d'événements, l'enregistrement à intervalles et les notifications d'alarme. En plus du point de référence 0 V CC et de l'alimentation (sortie CC), le connecteur d'E/S fournit une interface aux éléments suivants :

- **Sortie numérique** – Permet de connecter des dispositifs externes, comme des relais ou des voyants. Les appareils connectés peuvent être activés par l'interface de programmation VAPIX®, des boutons de sortie sur la page Live View (Vidéo en direct) ou par une règle d'action. La sortie est considérée comme étant active (comme indiqué dans *System Options > Ports & Devices (Options du système > Ports et dispositifs)*) si le dispositif d'alarme est activé.
- **Entrée numérique** – Entrée d'alarme utilisée pour connecter des dispositifs pouvant passer d'un circuit ouvert à un circuit fermé, par exemple : détecteurs infrarouge passifs, contacts de porte/fenêtre, détecteurs de bris de verre, etc. À la réception d'un signal,

AXIS Q35-VE Series

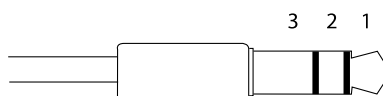
l'état change et l'entrée s'active (sous System Options > Ports & Devices (Options du système > Ports et dispositifs)).

Connecteur audio

Le produit Axis dispose des connecteurs audio suivants :

- **Entrée audio (rose)** – entrée de 3,5 mm pour microphone mono ou signal d'entrée mono.
- **Sortie audio (verte)** : sortie de 3,5 mm (sortie de ligne) qui peut être connectée à un système de sonorisation (PA) ou à un haut-parleur actif avec amplificateur intégré. Un connecteur stéréo doit être utilisé pour la sortie audio.

Connecteurs
audio 3,5 mm (stéréo)



	1 Pointe	2 Anneau	3 Manchon
Entrée audio	Équilibré : Entrée micro/ligne point chaud Déséquilibré : Entrée micro/ligne	Équilibré : Entrée micro/ligne point froid Déséquilibré : Inutilisé	Masse
Sortie audio	Sortie ligne (mono)		Masse

Emplacement pour carte SD

AVIS

- La carte SD risque d'être endommagée. Ne pas utiliser d'outils tranchants ou d'objets métalliques et ne pas forcer lors de l'insertion ou du retrait de la carte SD. Utilisez vos doigts pour insérer et retirer la carte.
- Risque de perte de données et d'enregistrements corrompus. Ne retirez pas la carte SD tant que le produit est en fonctionnement. Débranchez ou déposez la carte SD des pages Web du produit AXIS avant de la retirer.

Cet appareil est compatible avec des cartes microSD/microSDHC/microSDXC (cartes non fournie).

Pour obtenir des conseils sur la carte SD, rendez-vous sur www.axis.com

Bouton de commande

Pour connaître l'emplacement du bouton de commande, consultez *Aperçu du matériel* page 32.

Le bouton de commande permet de réaliser les opérations suivantes :

- Réinitialisation du produit aux paramètres d'usine par défaut. Cf. *page 48*.
- Connexion au service du Système d'hébergement vidéo AXIS ou au service AXIS Internet Dynamic DNS. Pour plus d'informations sur ces services, reportez-vous au Manuel de l'utilisateur.

Bouton Fonction

Le bouton Fonction permet de réaliser les opérations suivantes :

- **Assistant de mise à niveau** : cette fonction permet de s'assurer que l'image est stable. Appuyez sur le bouton pendant environ 2 secondes pour démarrer l'assistant de mise à niveau et appuyez une nouvelle fois pour le désactiver. Le voyant d'état (cf. *page 35*) et le signal sonore vous aident lors de la stabilisation de l'image. Lorsque l'avertisseur émet un signal sonore continu, cela signifie que l'image est stable.
- **Affichage des voyants d'état** : appuyez sur le bouton une fois pour allumer les voyants d'état. Appuyez à nouveau pour les éteindre. Les voyants s'éteignent automatiquement après 10 secondes.

Câble multiple (vendu séparément)

Le câble multiple peut être acheté auprès d'un revendeur Axis pour connecter un équipement externe au produit Axis. Le câble fournit les connecteurs suivants :

Connecteur d'E/S – Cf. *Connecteurs page 38*.

Connecteur audio – Cf. *Connecteurs page 38*.

Connecteur d'alimentation – Connecteur pour alimentation CA et CC pour la connexion aux câbles du convertisseur d'alimentation AXIS T8051 CA/CC au CC (non inclus).

Câbles	Caractéristiques
Rouge	+ CC ou CA
Noir	- CC ou CA

Caractéristiques techniques

Conditions d'utilisation

Produit	Classification	Température	Humidité
AXIS Q3504-VE AXIS Q3505-VE Mk II	Certification IEC 60529 IP66 et IP67 NEMA 250 4X	-50°C à 60°C -58°F à 140°F)	Humidité relative 10 à 100 % (condensation)

AXIS Q35-VE Series

Consommation électrique

Produit	PoE	CC	CA
AXIS Q3504-VE AXIS Q3505-VE Mk II	IEEE 802.3af/802.3at Type 1, Classe 3, max. 11,7 W	De 8–28 V CC, max. 16,5 W	20–24 V CA, max. 24,5 VA

Connecteurs

Connecteur d'E/S

Fonction	Broche	Notes	Caractéristiques
0 V CC (-)	1		0 V CC
Sortie CC	2	Peut servir à alimenter le matériel auxiliaire. Remarque : cette broche ne peut être utilisée que comme sortie d'alimentation.	12 V CC Charge maximale = 50 mA
Configurable (entrée ou sortie)	3–4	Entrée numérique – Connectez-la à la broche 1 pour l'activer ou laissez-la flotter (déconnectée) pour la désactiver.	0 à 30 V CC
		Sortie numérique – Connectée à la broche 1 lorsqu'elle est activée, flotte (déconnectée) lorsqu'elle est désactivée. Si vous l'utilisez avec une charge inductive, par exemple un relais, une diode doit être connectée en parallèle avec la charge, en guise de protection contre les tensions transitoires.	0 à 30 V CC max., drain ouvert, 100 mA

Pour un exemple de schéma, consultez *Connecteur d'E/S* page 39.

Connecteur audio

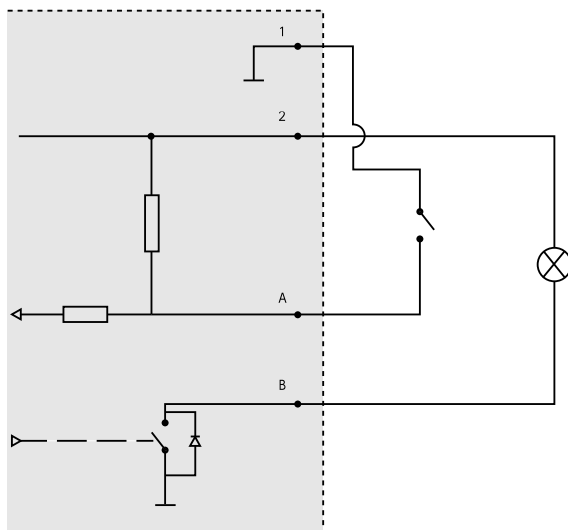
Connecteurs
audio 3,5 mm (stéréo)



	1 Pointe	2 Anneau	3 Manchon
Entrée audio	Équilibré : Entrée micro/ligne point chaud Déséquilibré : Entrée micro/ligne	Équilibré : Entrée micro/ligne point froid Déséquilibré : Inutilisé	Masse
Sortie audio	Sortie ligne (mono)		Masse

Schémas de connexion

Connecteur d'E/S



- 1 0 V CC (-)
- 2 Sortie CC 12 V, maxi. 50 mA
- A Entrée/sortie configurée comme entrée
- B Entrée/sortie configurée comme sortie

Installation du matériel

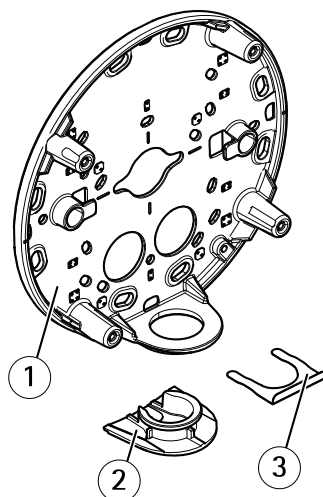
Acheminement des câbles

- Si vous souhaitez acheminer les câbles le long du mur, consultez page 40.

- Si vous souhaitez acheminer les câbles à travers le mur, consultez *page 41*.
- Si vous fixez un tuyau sur le support de fixation, consultez *page 42*
- Si vous utilisez un adaptateur de conduit pour acheminer les câbles le long du mur, consultez le Guide d'installation fourni avec l'adaptateur de conduit.

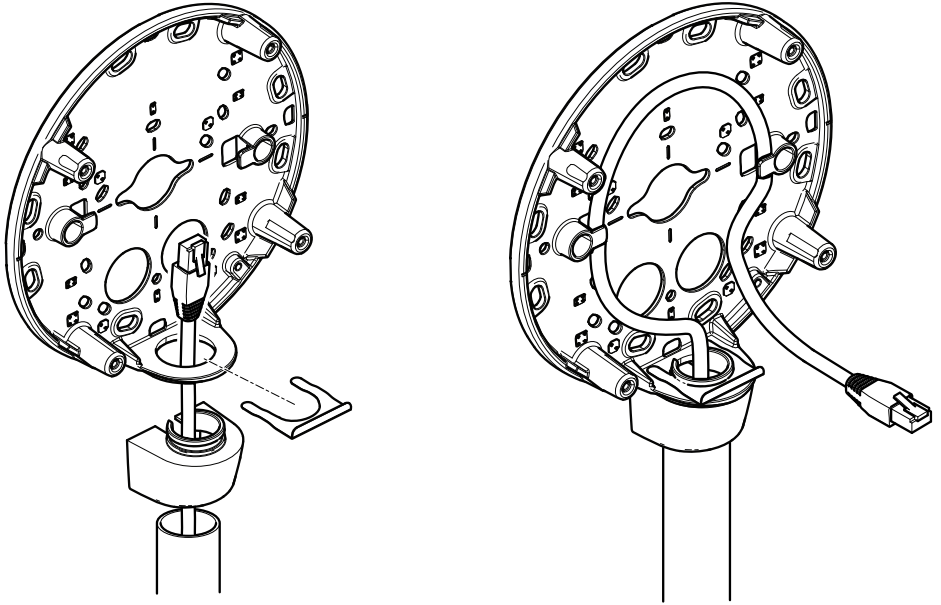
Acheminement des câbles le long du mur

1. Utilisez le gabarit de perçage pour percer quatre trous pour le support de montage.
2. Retirez le clip de verrouillage et le couvercle latéral.



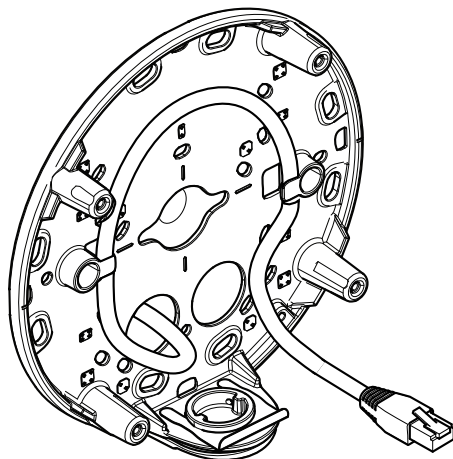
- 1 *Support de fixation*
- 2 *Couvercle latéral*
- 3 *Clip de verrouillage*

3. Fixez un conduit approprié à l'aide du clip de verrouillage pour le maintenir en place.
4. Fixez le support au mur en utilisant des vis appropriées.
5. Acheminez le câble réseau dans le conduit.
6. Enroulez le câble réseau le long des rainures du support de fixation, pour conserver de la longueur supplémentaire, qui pourra servir par la suite.



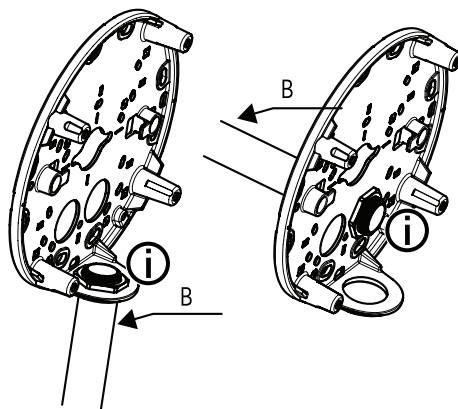
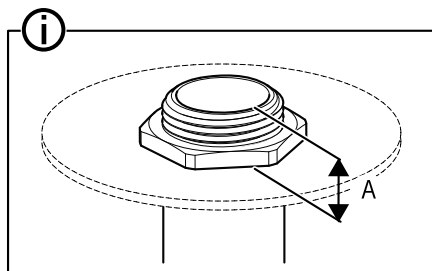
Acheminement des câbles à travers le mur

1. Utilisez le gabarit de perçage pour percer quatre trous pour le support de montage et un trou pour chaque câble.
2. Fixez le support au mur en utilisant des vis appropriées.
3. Acheminez le câble réseau et, en cas d'utilisation, le câble multiconnecteurs à travers le mur et le support de montage.
4. Enroulez le câble réseau le long des rainures du support de fixation, pour conserver de la longueur supplémentaire, qui pourra servir par la suite.



Comment fixer un tuyau sur le support de fixation

1. Placez la plaque de montage sur le mur.
2. Fixez le tuyau avec l'écrou de blocage en utilisant un Frein filet Loctite entre l'écrou et les filetages du tuyau. Assurez-vous que la distance A se trouve dans les limites spécifiées.



A 8 mm maximum

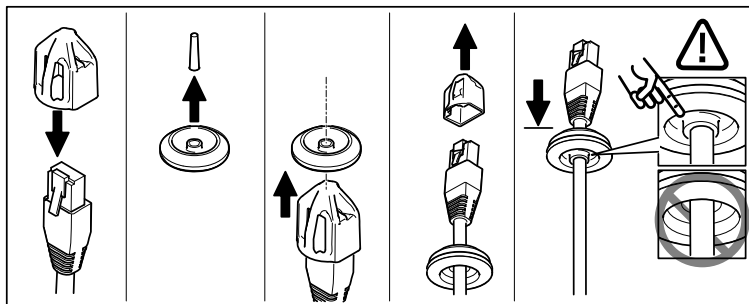
B Tuyau 3/4"

Connexion des câbles et fixation du boîtier de l'unité au support de fixation

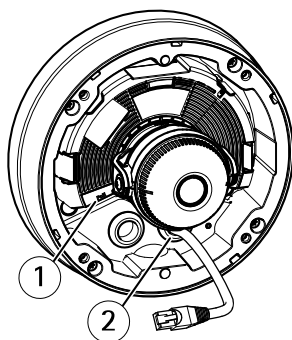
1. Insérez une carte SD dans la caméra (en option).
2. Acheminez le câble réseau et le joint du câble noir à travers les trous du boîtier de l'unité à l'aide du connecteur fourni.
3. Tirez légèrement sur le câble réseau pour que le joint s'ajuste dessus.

AVIS

Si vous ne tirez pas sur le câble, il existe un risque d'infiltration d'eau et d'endommagement du produit.



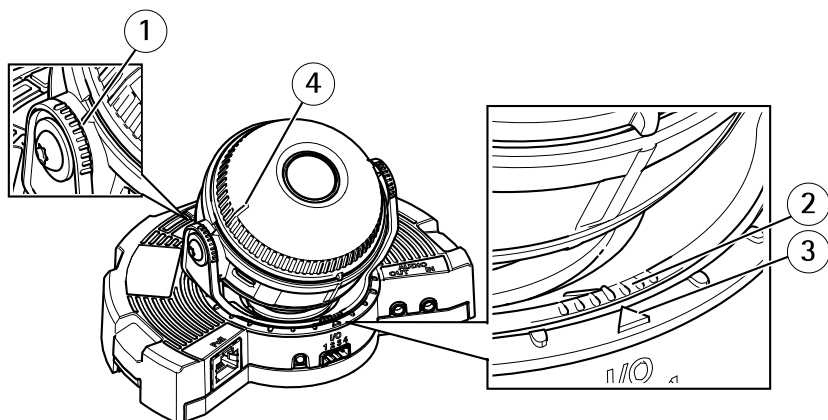
4. Achenez le câble réseau à travers le trou le plus éloigné du connecteur réseau de la caméra.



- 1 *Connecteur réseau*
- 2 *Joint de câble*

5. Pour fixer le boîtier de l'unité au support, serrez les 4 vis inviolables à l'aide d'une clé Resitorx® TR20.
6. Connectez le câble à la caméra.
7. Écartez les ressorts du boîtier de l'unité et fixez la caméra au boîtier.

Réglage de l'angle de la caméra

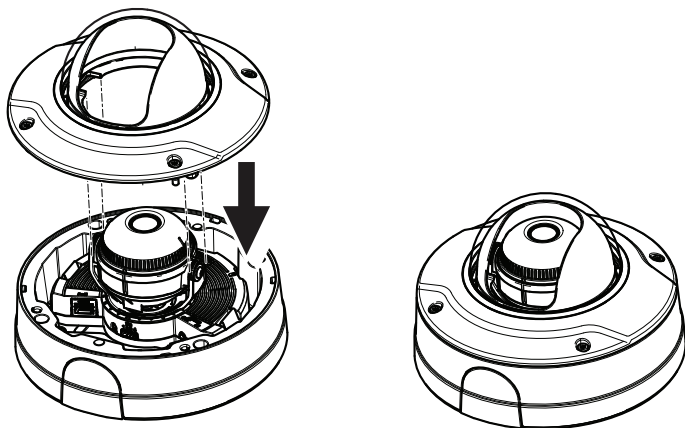


- 1 Lignes sur le support optique qui indiquent un incrément de l'angle d'inclinaison de 10°
- 2 Petites lignes sur la monture optique qui indiquent un incrément sur le plan panoramique de 3°
- 3 Lignes sur la monture optique qui indiquent un incrément sur le plan panoramique de 15°
- 4 Lignes sur le couvercle de l'objectif permettant de s'assurer que la caméra est à niveau

1. Faites un panoramique, inclinez et faites pivoter la caméra dans la zone surveillée. Il est possible de faire un panoramique de 360° et d'incliner la caméra à 90°.
2. Faites un panoramique et faites pivoter l'objectif pour ajuster l'image.
3. Utilisez les deux lignes situées sur le couvercle de l'objectif pour vous assurer que la caméra est à niveau. Pour activer l'assistant de mise à niveau, appuyez sur le bouton Fonction. Cf. *Bouton Fonction* page 37.

Fixation du couvercle du dôme

1. Assurez-vous que le joint en caoutchouc est correctement placé dans le couvercle du dôme lorsque vous fixez le couvercle du dôme au boîtier de l'appareil.
2. Faites glisser les rainures dans le bouclier de protection noir, sur les vis situées de chaque côté du support optique de la caméra.
3. Si vous utilisez une protection étanche, fixez-la sur le couvercle du dôme. Utilisez les deux vis fournies avec la protection étanche.
4. Fixez le couvercle du dôme sur le boîtier de l'unité à l'aide de la clé Resitorx® TR20.
5. Retirez le film protecteur du couvercle de dôme.



Utilisez le produit

Si vous souhaitez rechercher des produits Axis sur le réseau ou leur affecter des adresses IP sous Windows®, nous recommandons l'utilisation des applications AXIS IP Utility et AXIS Camera Management. Ces deux applications sont gratuites et peuvent être téléchargées depuis www.axis.com/techsup

Le produit peut être utilisé avec la plupart des systèmes d'exploitation et des navigateurs. Nous recommandons les navigateurs suivants :

- Internet Explorer® avec Windows®,
- Safari® avec OS X®
- Chrome™ ou Firefox® avec les autres systèmes d'exploitation.

Pour plus d'informations concernant l'utilisation du produit, consultez le manuel de l'utilisateur disponible sur le site www.axis.com

Régler la mise au point et le zoom :

Ces instructions sont applicables si vous avez sélectionné l'option (Zoom optique pour l'installation), lors du démarrage de la caméra.

1. Accédez à **Video & Audio (Vidéo et audio) > Focus & Zoom (Mise au point et zoom)**.
2. Dans l'onglet **Basic (Base)**, définissez le niveau de **zoom** à l'aide du curseur.
Cliquez sur la touche < ou > pour déplacer la position du zoom d'un palier.
Cliquez sur la touche << ou >> pour déplacer la position du zoom de plusieurs paliers.

Note

Les mouvements devant la caméra doivent être évités lors de la mise au point.

3. Cliquez sur **Perform autofocus** (Faire une mise au point automatique).
4. Si la mise au point automatique n'est pas satisfaisante, accédez à l'onglet **Advanced** (Avancé).

Dans l'onglet **Advanced** (Avancé), la mise au point peut être réglée manuellement :

1. Cliquez sur **Open iris** (Ouvrir l'iris) pour ouvrir l'iris en position maximale. La plus petite profondeur de champ est ainsi obtenue et offre les meilleures conditions pour une mise au point correcte.
2. La mise au point se règle dans la **fenêtre de mise au point**. Utilisez la souris pour déplacer et redimensionner la fenêtre de mise au point.
3. Cliquez dans la barre **Focus position** (Position de mise au point) pour effectuer la mise au point sur un élément spécifique.
Cliquez sur la touche < ou > pour déplacer la position de la mise au point d'un palier.
Cliquez sur la touche << ou >> pour déplacer la position de la mise au point de plusieurs paliers.
4. Une fois que le réglage vous convient, cliquez sur **Enable iris** (Activer l'iris) pour activer l'iris.

Définition des limites de mise au point et du zoom

Ces instructions sont applicables si vous avez sélectionné l'option **Zoom optique pour la surveillance** lors du démarrage de la caméra.

Définir la mise au point et le zoom pour une nouvelle position pré réglée :

1. Accédez à **PTZ > Preset Positions (Positions pré réglées)** et réglez la mise au point et le zoom sur une zone préférée de l'image de la caméra.
2. Saisissez un nom pour la position pré réglée dans le **champ Position actuelle** et sélectionnez **Use current position as Home** (Utiliser position actuelle en page d'accueil).
3. Cliquez sur **Ajouter** pour ajouter votre position actuelle comme position pré réglée.
4. Sélectionnez votre position pré réglée dans la liste déroulante **Positions disponibles**.
5. Cliquez sur **Accéder à** pour régler la caméra sur votre position pré réglée.
6. Cliquez sur **Save** [Enregistrer].

Pour limiter la mise au point et le zoom :

1. Accédez à **Video & Audio (Vidéo et audio) > Focus & Zoom (Mise au point et zoom)**.
2. Sélectionnez une valeur dans la liste déroulante **Zoom tele limit (Limite zoom)** pour limiter le zone maximale du zoom de la caméra.
Le niveau numérique du zoom est indiqué par la lettre **D**.
3. Pour prévisualiser la limite du zoom, cliquez sur **Aller à**.

4. Sélectionnez une valeur dans la liste déroulante pour **Focus near limit (Limite de mise au point proche)** de façon à éviter la mise au point sur des objets se trouvant trop près de la caméra.
5. Cliquez sur **Save** [Enregistrer].

Note

Vous pouvez encore régler la mise au point et le zoom dans **Video & Audio** (Vidéo et audio) > **Focus & Zoom** (Mise au point et zoom), mais vos réglages ne sont pas enregistrés après le redémarrage de la caméra.

Réinitialisation aux paramètres d'usine par défaut

Important

La réinitialisation aux paramètres par défaut doit être utilisée avec prudence. Cette opération reconfigure tous les paramètres, y compris l'adresse IP, aux valeurs d'usine par défaut.

Note

Les logiciels d'installation et de gestion sont disponibles sur les pages d'assistance du site www.axis.com/techsup

Pour réinitialiser l'appareil aux paramètres d'usine par défaut :

1. Déconnectez l'alimentation de l'appareil.
2. Maintenez le bouton de commande enfoncé et remettez l'appareil sous tension. Consultez *Aperçu du matériel* page 32.
3. Maintenez le bouton de commande enfoncé pendant 15 à 30 secondes, jusqu'à ce que le voyant d'état passe à l'orange et clignote.
4. Relâchez le bouton de commande. Le processus est terminé lorsque le voyant d'état passe au vert. Les paramètres d'usine par défaut de l'appareil ont été rétablis. En l'absence d'un serveur DHCP sur le réseau, l'adresse IP par défaut est 192.168.0.90.
5. Utilisez les outils d'installation et de gestion pour attribuer une adresse IP, configurer le mot de passe et accéder au flux de données vidéo.

Il est également possible de rétablir les paramètres d'usine à partir de l'interface Web. Accédez à **Setup > System Options > Maintenance (Configuration > Options du système > Maintenance)** et cliquez sur **Default (Défaut)**.

Informations complémentaires

- Pour la dernière version de ce document, consultez le site www.axis.com
- Le Manuel de l'utilisateur est disponible à l'adresse suivante : www.axis.com
- Pour vérifier si des mises à jour des logiciels sont disponibles pour votre appareil réseau, consultez le site www.axis.com/techsup.

- Pour en savoir plus sur les formations, les webinaires, les tutoriels et les guides, visitez le site www.axis.com/academy.

Informations sur la garantie

Pour obtenir de plus amples informations sur la garantie du produit AXIS et des renseignements connexes, allez sur le site www.axis.com/warranty/

Sicherheitsinformation

Lesen Sie das Installationshandbuch sorgfältig durch bevor sie das Produkt installieren. Bewahren Sie das Installationshandbuch für zukünftige Zwecke auf.

Gefährdungsstufen

▲GEFAHR

Weist auf eine gefährliche Situation hin, welche , falls nicht verhindert, zu Tod oder schweren Verletzungen führt.

▲WARNUNG

Weist auf eine gefährliche Situation hin, welche, falls nicht verhindert, zu Tod oder schweren Verletzungen führen kann.

▲VORSICHT

Weist auf eine gefährliche Situation hin, welche, falls nicht verhindert, zu geringfügiger oder mäßiger Verletzung führen kann.

HINWEIS

Weist auf eine gefährliche Situation hin, welche, falls nicht verhindert, zu Sachschäden führen kann.

Weitere Nachrichtenstufen

Wichtig

Weist auf wichtige Informationen hin, die den richtigen Betrieb des Produkts gewährleisten.

Beachten

Weist auf nützliche Informationen hin, die die optimale Verwendung des Produkts unterstützen.

Sicherheitsanweisungen

HINWEIS

- Die Anwendung des Axis Produkts muss unter Beachtung der örtlich geltenden rechtlichen Bestimmungen erfolgen.
- Lagern Sie das Axis Produkt in einer trockenen und belüfteten Umgebung.
- Achten Sie darauf, dass das Axis Produkt weder Stößen noch starkem Druck ausgesetzt ist.
- Installieren Sie das Produkt nicht an instabilen Halterungen, Oberflächen oder Wänden.
- Verwenden Sie bei der Installation des Axis Produkts ausschließlich passende Werkzeuge. Ein zu großer Kraftaufwand mit elektrischen Werkzeugen kann das Produkt beschädigen.
- Verwenden Sie keine chemischen, ätzenden oder aerosolhaltigen Reinigungsmittel.
- Verwenden Sie zum Reinigen ein sauberes, mit destilliertem Wasser angefeuchtetes Tuch.
- Verwenden Sie nur Zubehör, das den technischen Daten des Produkts entspricht. Dieses ist von Axis oder Drittanbietern erhältlich.
- Verwenden Sie ausschließlich Ersatzteile die von Axis bereitgestellt oder empfohlen werden.
- Versuchen Sie nicht, das Produkt selbstständig zu reparieren. Wenden Sie sich bezüglich Reparatur und Wartung an den Axis Support oder Ihren Axis Händler.

Transport

HINWEIS

- Bei Bedarf transportieren Sie das Axis Produkt in der Originalverpackung oder einer entsprechenden Verpackung, so dass Schäden vermieden werden.

Batterie

Das Axis-Produkt ist mit einer 3,0 V-CR2032-Lithium-Batterie ausgestattet, mit der die interne Echtzeituhr (RTC) versorgt wird. Unter normalen Bedingungen hat die Batterie eine Lebensdauer von mindestens fünf Jahren.

Bei entladener Batterie ist der Betrieb der Echtzeituhr nicht mehr gewährleistet, sodass die Uhr bei jedem Systemstart zurückgesetzt wird. Sie erhalten eine Protokollnachricht im Serverbericht des Produkts, wenn ein Batteriewechsel erforderlich ist. Weitere Informationen über den Serverbericht finden Sie auf den Setup-Seiten des Produkts, oder wenden Sie sich an den Axis Support.

Die Batterie sollte nur bei Bedarf ersetzt werden. Wenden Sie sich in diesem Fall an den Axis Support unter www.axis.com/techsup.

Lithium-Knopfzellen (3,0 V) enthalten 1,2-Dimethoxyethan; Ethylenglycoldimethylether (EGDME), CAS-Nr. 110-71-4.

⚠WARNUNG

- Explosionsgefahr bei fehlerhaftem Batteriewechsel.
- Die Batterie darf nur durch eine identische Batterie oder eine von Axis empfohlene Batterie ersetzt werden.
- Verbrauchte Batterien sind gemäß den örtlichen Vorschriften oder den Anweisungen des Herstellers zu entsorgen.

Kuppelabdeckung

HINWEIS

- Achten Sie darauf die Kuppelabdeckung weder zu zerkratzen, zu beschädigen oder darauf Fingerabdrücke zu hinterlassen, da dies die Bildqualität beeinträchtigen kann. Falls möglich entfernen Sie die Schutzfolie erst nachdem die Installation abgeschlossen ist.
- Säubern Sie niemals eine Kuppelabdeckung, wenn diese sauber erscheint, und polieren Sie keinesfalls die Oberfläche. Zu häufiges Säubern kann die Oberfläche beschädigen.
- Für die normale Reinigung der Kuppelabdeckung werden eine nicht-scheuernde, lösmittelfreie neutrale Seife oder ein entsprechendes Reinigungsmittel mit destilliertem Wasser und ein sauberer, weicher Lappen empfohlen. Spülen Sie die Kuppelabdeckung gründlich mit lauwarmem destilliertem Wasser ab. Trocknen Sie die Kuppelabdeckung mit einem weichen, sauberen Lappen, um Wasserflecken zu vermeiden.
- Verwenden Sie niemals aggressive Reinigungsmittel, Benzin, Benzol oder Aceton usw. Reinigen Sie die Kuppelabdeckung nicht bei direkter Sonneneinstrahlung oder höheren Temperaturen.

Informationen zur Installationsanleitung

In dieser Anleitung wird die Installation der festen Dome-Netzwerk-Kamera AXIS Q3504-VE bzw. AXIS Q3505-VE Mk II in Ihrem Netzwerk beschrieben. Weitere Informationen zur Nutzung dieses Produkts finden Sie im Benutzerhandbuch unter www.axis.com.

Installationsschritte

1. Stellen Sie sicher, dass die Packungsinhalte, Werkzeuge und andere notwendige Materialien für die Installation in Ordnung sind. Siehe *Seite 55*.
2. Machen Sie sich mit der Hardware-Übersicht vertraut. Siehe *Seite 56*.
3. Machen Sie sich mit den technischen Daten vertraut. Siehe *Seite 61*.
4. Installieren Sie die Hardware. Siehe *Seite 64*.
5. Greifen Sie auf das Produkt zu. Siehe *Seite 70*.

Lieferumfang

- AXIS Q3504-VE Feste Dome-Netzwerk-Kamera oder AXIS Q3505-VE Mk II Feste Dome-Netzwerk-Kamera
- Resistorx®-Schlüssel TR20 L
- E/A-Anschluss
- Zusätzliche Kabeldichtungen
 - Kabeldichtung M20 (5 mm, für Kabel mit einem Durchmesser von 5–10 mm)
 - Kabeldichtung M20 (3 mm, für Kabel mit einem Durchmesser von 3–5 mm)
- Wetterschutz
- AXIS Rohradapter, U-Form, 30 mm A
- RJ-45-Montagewerkzeug
- Gedruckte Dokumente
 - Installationsanleitung (dieses Dokument)
 - Bohrschablone (2x)
 - Zusätzliche Etiketten mit der Seriennummer (2x)
 - AVHS-Authentifizierungsschlüssel

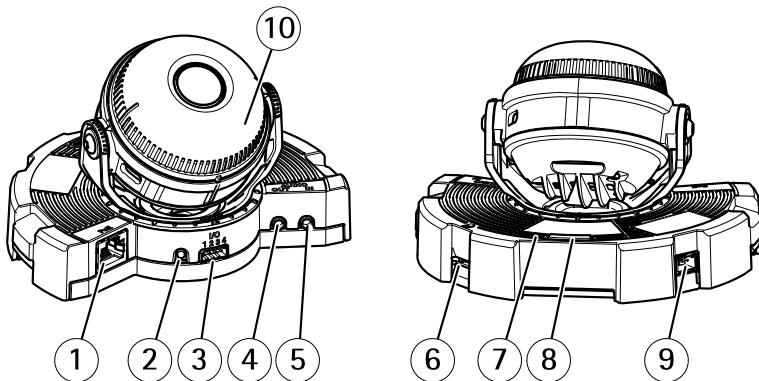
Optionales Zubehör

Eine vollständige Liste mit Zubehör für dieses Produkt finden Sie unter www.axis.com.

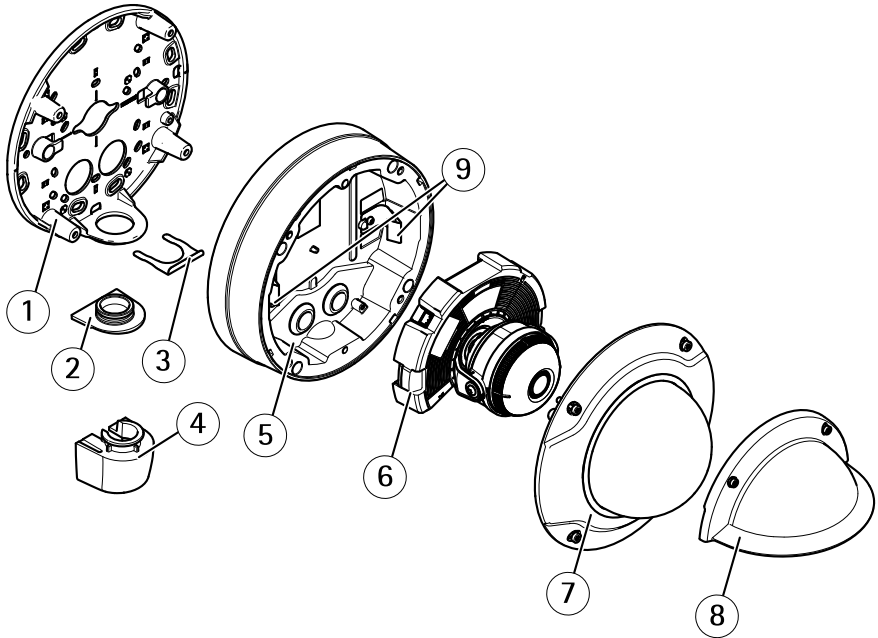
Übersicht über die Hardware

Beachten

3- bis 9-mm-Objektiv: Zu hoher Druck bei der Reinigung kann dazu führen, dass sich das Objektiv nach unten verstellt. Geschieht dies während sich die Kamera in Betrieb befindet, können Sie die Kamera neu kalibrieren, indem Sie auf der Website **Server Maintenance (Serverwartung)** unter **System Options (Systemoptionen) > Maintenance (Wartung)** auf **Calibrate (Kalibrieren)** klicken.



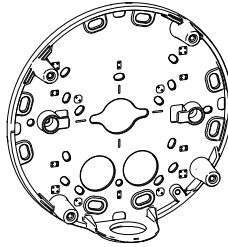
- 1 Netzwerkanschluss
- 2 Steuertaste
- 3 E/A-Anschluss
- 4 Audioausgang
- 5 Audioeingang
- 6 SD-Speicherkarteneinschub
- 7 Status LED
- 8 Funktionstaste
- 9 Wechselstrom-/Gleichstromanschluss für Zubehör
- 10 Heizelement **Vorsicht!** Das Heizelement ist unter Umständen heiß.







- 1 Montagehalterung
- 2 Seitenabdeckung für die seitliche Öffnung der Montagehalterung
- 3 Feststellklemme
- 4 Rohradapter
- 5 Kameragehäuse
- 6 Kameraeinheit
- 7 Kuppelabdeckung
- 8 Wetterschutz
- 9 Federn

Montagehalterung

Die Montagehalterung weist vier Montagemuster auf. Die Montagemuster folgen der Norm für die folgenden Montageoptionen:



-  : Quadratische 4"-Anschlussdose
-  : Standard-US-Doppelverteilerdose
-  : Achteckige 4"-Anschlussdose
-  : Standard-US-Anschlussdose

LEDs

Beachten

- Die Status-LED kann so eingestellt werden, dass sie blinkt, wenn ein Ereignis aktiv ist.
- Die Status-LED kann so eingestellt werden, dass sie blinkt, wenn die Einheit erkannt wird. Rufen Sie **Setup > System Options > Maintenance (Setup > Systemoptionen > Wartung)** auf.

Status-LED	Bedeutung
Leuchtet nicht	Anschluss und Normalbetrieb
Grün	Leuchtet bei Normalbetrieb nach Abschluss des Startvorgangs 10 Sekunden lang grün.
Gelb	Leuchtet beim Start. Blinkt bei der Firmware-Aktualisierung.
Gelb/rot	Blinkt gelb/rot, wenn die Netzwerkverbindung nicht verfügbar ist oder unterbrochen wurde.

Verhalten der LED-Statusanzeige und Summton für den Ausrichtungsassistenten

Informationen zur Verwendung der Funktionstaste bei der Ausrichtung des Bilds finden Sie unter *Anschlüsse und Tasten*.

Farbe	Summer	Kameraposition
Durchgehend grün	Durchgehender Ton	Ausgerichtet
Grün blinkend	Kurzes Intervall	Nahezu ausgerichtet
Orange blinkend	Mittellanges Intervall	Nicht ausgerichtet
Rot blinkend	Langes Intervall	Unzureichend ausgerichtet

Anschlüsse und Tasten

Für die technischen Daten und Betriebsbedingungen siehe *Seite 61*.

Netzwerkanschluss

RJ45-Ethernetanschluss mit Power over Ethernet (PoE).

HINWEIS

Das Produkt muss mit einem abgeschirmten Netzkabel (STP) angeschlossen werden. Alle Kabel, die das Produkt mit dem Netzwerkschalter verbinden, müssen hierfür ausgelegt sein. Stellen Sie sicher, dass die Netzwerkgeräte gemäß den Anweisungen des Herstellers installiert wurden. Informationen zu gesetzlichen Bestimmungen finden Sie unter *Electromagnetic Compatibility (EMC) 2*.

E/A-Anschluss

Zur Verwendung mit externen Geräten in Verbindung mit Manipulationsalarmen, Bewegungserkennung, Ereignisauslösung, Zeitrafferaufnahmen, Alarmbenachrichtigungen usw. Abgesehen vom 0 V DC-Bezugspunkt und einer Strom (Gleichstromausgang) verfügt die E/A-Klemmenleiste über eine Schnittstelle zu:

- **Digitalausgang** – Zum Anschluss externer Geräte wie Relais und LEDs. Angeschlossene Geräte können über die VAPIX® Application Programming Interface (Programmierschnittstelle) über die Schaltflächen für den Ausgang auf der Seite „Live View“ oder durch eine Aktionsregel aktiviert werden. Der Ausgang wird als aktiv (siehe **System Options > Ports & Devices (Systemoptionen > Anschlüsse und Geräte)**) angezeigt, wenn das Alarmmeldegerät aktiviert ist.
- **Digitaleingang** – Alarmeingang für den Anschluss von Geräten, die zwischen geöffnetem und geschlossenem Schaltkreis wechseln können, z. B.: PIR-Sensoren, Tür-/Fensterkontakte, Glasbruchmelder usw. Bei Empfang eines Signals ändert sich der Status und der Eingang wird aktiviert (siehe **System Options > Ports & Devices (Systemoptionen > Anschlüsse & Geräte)**).

Audioanschluss

Das Axis-Produkt ist mit den folgenden Audioanschlüssen ausgestattet:

AXIS Q35-VE Series

- **Audioeingang (rosa)** – 3,5-mm-Anschluss für ein Monomikrofon oder ein Monosignal.
- **Audioausgang (grün)** – 3,5-mm-Audioausgang (Leitungspegel) zum Anschließen einer Rundrufanlage (PA) oder eines Aktivlautsprechers mit integriertem Verstärker. Für den Audioausgang muss ein Stereostecker verwendet werden.

3,5-mm-
Audioanschlüsse
(stereo)



	1 Spitze	2 Ring	3 Schaft
Audioeingang	Symmetrisch: „Hot“-Mikrofon-/Leitungseingang Unsymmetrisch: Mikrofon-/Leitungseingang	Symmetrisch: „Cold“-Mikrofon-/Leitungseingang Unsymmetrisch: Nicht belegt	Masse
Audioausgang	Leitungsausgang (mono)		Masse

SD-Karteneinschub

HINWEIS

- Gefahr von Schäden an der SD-Karte. Verwenden Sie beim Einlegen oder Entfernen der SD-Karte keine scharfen/spitzen Werkzeuge oder Gegenstände aus Metall und wenden Sie nicht zu viel Kraft an. Setzen Sie die Karte per Hand ein. Das Gleiche gilt für das Entfernen.
- Gefahr von Datenverlust und Beschädigung der Aufnahmen. Die SD-Karte darf nicht entfernt werden, während das Produkt in Betrieb ist. Trennen Sie die Stromversorgung oder deaktivieren Sie die SD-Karte vor dem Entfernen über die Webseiten des Axis Produkts.

Dieses Produkt unterstützt microSD-/microSDHC-/microSDXC-Karten (separat erhältlich).

Empfehlungen zu SD-Karten finden Sie unter www.axis.com.

Steuertaste

Die Steuertaste befindet sich an folgender Stelle: *Übersicht über die Hardware auf Seite 56.*

Die Steuertaste hat folgende Funktionen:

- Zurücksetzen des Produkts auf die Werkseinstellungen. Siehe *Seite 72.*
- Verbinden mit einem AXIS Video Hosting System-Service oder einem AXIS Internet Dynamic DNS-Service. Weitere Informationen zu diesen Diensten finden Sie in der Bedienungsanleitung.

Funktionstaste

Die Funktionstaste hat mehrere Aufgaben:

- **Ausrichtungsassistent** – Diese Funktion unterstützt Sie bei der Ausrichtung des Bilds. Drücken Sie die Taste ca. 2 Sekunden lang, um den Ausrichtungsassistenten zu starten. Drücken Sie die Taste erneut, um den Ausrichtungsassistenten zu beenden. Die LED-Statusanzeige (siehe *Seite 58*) und der Summton unterstützen Sie bei der Ausrichtung des Bilds. Das Bild ist korrekt ausgerichtet, wenn der Summton durchgehend ertönt.
- **Kontrolle der Status-LEDs** – Drücken Sie die Taste einmal, leuchten die Status-LEDs auf. Drücken Sie die Taste erneut, erlöschen die LEDs. Die LEDs werden nach zehn Sekunden automatisch ausgeschaltet.

Mehrfachkabel (separat erhältlich)

Das Mehrfachanschlusskabel zum Anschluss von Zubehör an das Axis Produkt erhalten Sie von Ihrem Axis Händler. Das Kabel weist folgende Anschlüsse auf:

E/A-Anschluss – Siehe *Anschlüsse auf Seite 62*.

Audioanschluss – Siehe *Anschlüsse auf Seite 62*.

Netzanschluss – Anschluss für Wechsel- und Gleichstrom für die Verbindung mit den Leitungen des Umrichters AXIS T8051 (Wechsel-/Gleichstrom zu Gleichstrom, nicht im Lieferumfang enthalten).

Leitungen	Technische Daten
Rot	Gleichstrom (+) oder Wechselstrom
Schwarz	Gleichstrom (-) oder Wechselstrom

Technische Daten

Betriebsbedingungen

Produkt	Klassifikation	Temperatur	Luftfeuchtigkeit
AXIS Q3504-VE AXIS Q3505-VE Mk II	IEC 60529 IP66 und IP67 NEMA 250 4X-zertifiziert	-50 °C bis 60 °C	10 bis 100 % rF (kondensierend)

AXIS Q35-VE Series

Stromverbrauch

Produkt	PoE	Gleichstrom	Wechselstrom
AXIS Q3504-VE AXIS Q3505-VE Mk II	IEEE 802.3af/802.3at Typ 1, Klasse 3, max. 11,7 W	8–28 V DC, max. 16,5 W	20–24 V AC, max. 24,5 VA

Anschlüsse

E/A-Anschluss

Funktion	Kon- takt	Hinweise	Technische Daten
0 V DC (-)	1		0 V DC
Gleichstrom- ausgang	2	Kann für die Stromversorgung von Zusatzgeräten verwendet werden. Hinweis: Dieser Kontakt kann nur für den Stromausgang verwendet werden.	12 V DC Max. Stromstärke = 50 mA
Konfigurierbar (Ein- oder Ausgang)	3–4	Digitaleingang – zum Aktivieren mit Pin 1 verbinden; zum Deaktivieren nicht anschließen.	0 bis max. 30 V DC
		Digitalausgang – bei Aktivierung mit Pin 1 verbunden; wenn deaktiviert: frei (nicht verbunden). Bei Verwendung mit einer induktiven Last, z. B. einem Relais, muss parallel zur Last zum Schutz vor Spannungsspitzen eine Diode zwischengeschaltet werden.	0 bis max. 30 V DC, Open Drain, 100 mA

Ein Beispielschaltbild finden Sie unter *E/A-Anschluss auf Seite 63*.

Audioanschlüsse

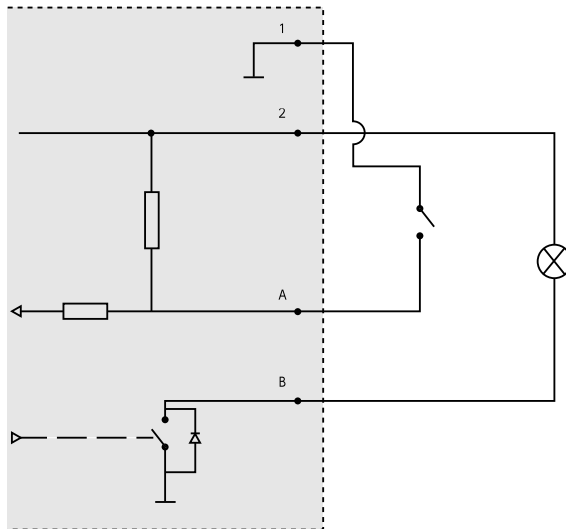
3,5-mm-
Audioanschlüsse
(stereo)



	1 Spitze	2 Ring	3 Schaft
Audio- eingang	Symmetrisch: „Hot“-Mikrofon- /Leitungseingang Unsymmetrisch: Mikrofon-/Leitungseingang	Symmetrisch: „Cold“- Mikrofon-/Leitungseingang Unsymmetrisch: Nicht belegt	Masse
Audio- ausgang	Leitungsausgang (mono)		Masse

Anschlusschaltbilder

E/A-Anschluss



- 1 0 V (-) DC
- 2 DC-Ausgang 12 V, max. 50 mA
- A E/A als Eingang konfiguriert
- B E/A als Ausgang konfiguriert

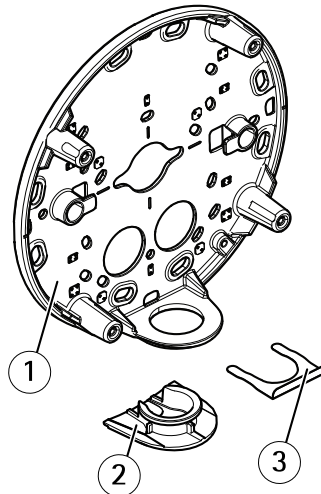
Installieren der Hardware

Führen der Kabel

- Wenn Sie die Kabel entlang der Wand verlegen möchten, finden Sie weitere Informationen auf *Seite 64*.
- Wenn Sie die Kabel durch die Wand verlegen möchten, finden Sie weitere Informationen auf *Seite 65*.
- Wenn Sie ein Rohr an der Montagehalterung anbringen möchten, finden Sie weitere Informationen auf *Seite 66*.
- Wenn Sie zum Verlegen der Kabel entlang der Wand einen Kabelführungsadapter verwenden, finden Sie weitere Informationen in der mit dem Kabelführungsadapter gelieferten Installationsanleitung.

Verlegen der Kabel entlang der Wand

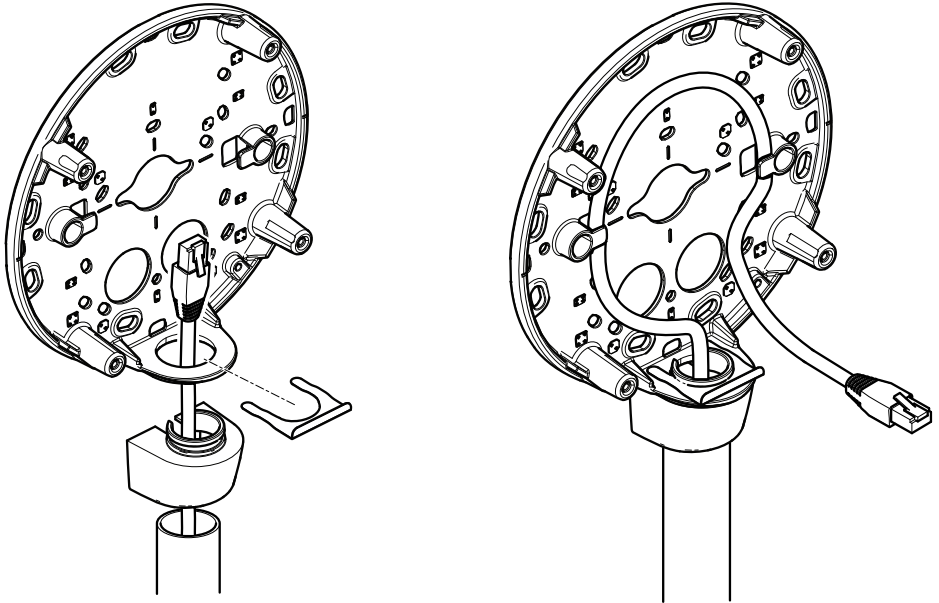
1. Bohren Sie mithilfe der Bohrschablone vier Löcher für die Wandhalterung.
2. Entfernen Sie Feststellklemme und Seitenabdeckung.



- 1 *Montagehalterung*
- 2 *Seitenabdeckung*
- 3 *Feststellklemme*

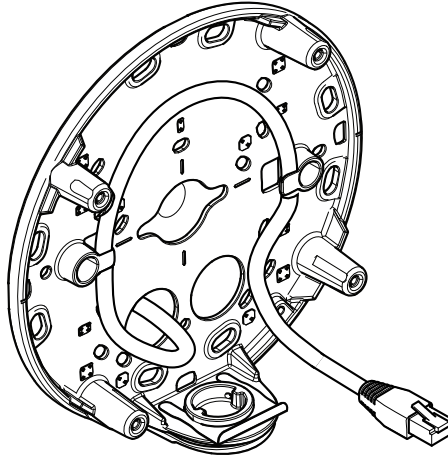
3. Bringen Sie eine geeignete Kabelführung an und arretieren Sie diese mit der Feststellklemme.

4. Bringen Sie die Montagehalterung mit geeigneten Schrauben an der Wand an.
5. Verlegen Sie das Kabel durch die Kabelführung.
6. Wickeln Sie das Netzkabel entlang der Nuten an der Halterung. Die zusätzliche Kabellänge kann sich später als nützlich erweisen.



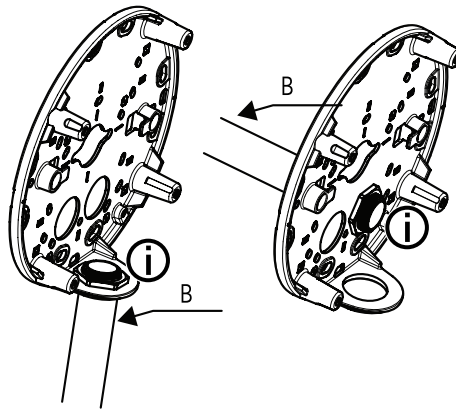
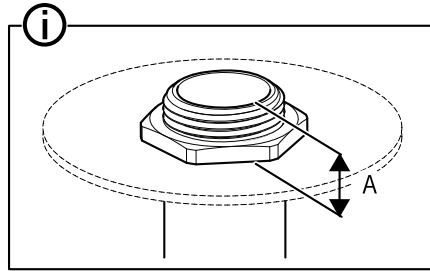
Verlegen der Kabel durch die Wand

1. Bohren Sie mithilfe der Bohrschablone vier Löcher für die Montagehalterung und ein Loch für jedes Kabel.
2. Bringen Sie die Montagehalterung mit geeigneten Schrauben an der Wand an.
3. Führen Sie das Netzkabel und ggf. das Mehrfachanschlusskabel durch die Öffnungen in der Wand und der Montagehalterung.
4. Wickeln Sie das Netzkabel entlang der Nuten an der Halterung. Die zusätzliche Kabellänge kann sich später als nützlich erweisen.



Anbringen einer Rohrhalterung an die Montagehalterung

1. Befestigen Sie die Montageplatte an der Wand.
2. Befestigen Sie das Rohr mit der Kontermutter. Tragen Sie Loctite-Gewindekleber zwischen der Mutter und den Rohrgewinden auf. Vergewissern Sie sich, dass Abstand A innerhalb der Grenzwerte liegt.



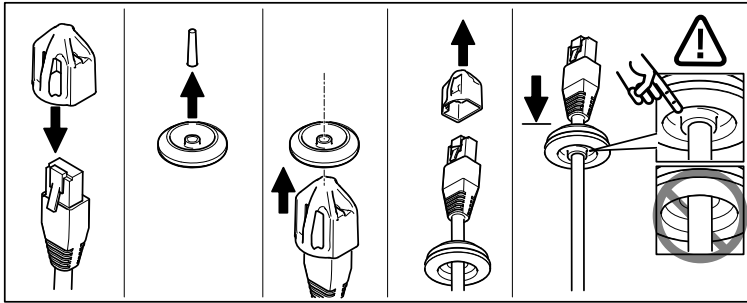
- A Maximal 8 mm
 B 3/4"-Rohr

Anschließen der Kabel und Anbringen des Kameragehäuses an der Halterung

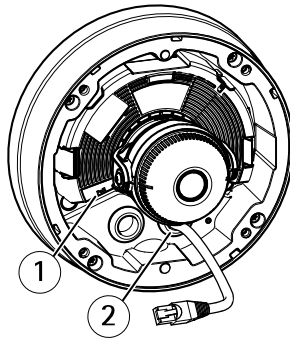
1. Setzen Sie eine SD-Speicherkarte in die Kameraeinheit ein (optional).
2. Führen Sie das Netzwerkkabel mithilfe des mitgelieferten Anschlussstücks durch die schwarze Kabeldichtung in einer der Bohrungen am Kameragehäuse.
3. Ziehen Sie das Netzwerkkabel ein wenig zurück, bis die Kabeldichtung bündig um das Kabel sitzt.

HINWEIS

Wird das Kabel nicht zurückgezogen, kann Wasser eindringen und das Produkt beschädigen.



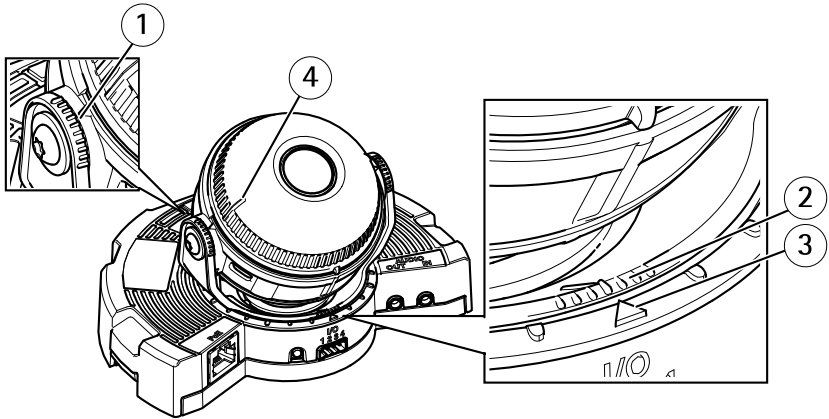
4. Führen Sie das Netzkabel durch die Kabeldichtung, die am weitesten vom Netzwerkanschluss im Kameragehäuse entfernt ist.



- 1 Netzwerkanschluss
- 2 Kabeldichtung

5. So bringen Sie das Kameragehäuse an der Halterung an: Ziehen Sie die vier manipulationssicheren Schrauben mit dem Resitorx®-Schlüssel TR20 fest.
6. Schließen Sie das Kabel an die Kameraeinheit an.
7. Ziehen Sie die Federn im Kameragehäuse zur Seite und setzen Sie die Kameraeinheit in dieses ein.

Einstellen des Kamerawinkels



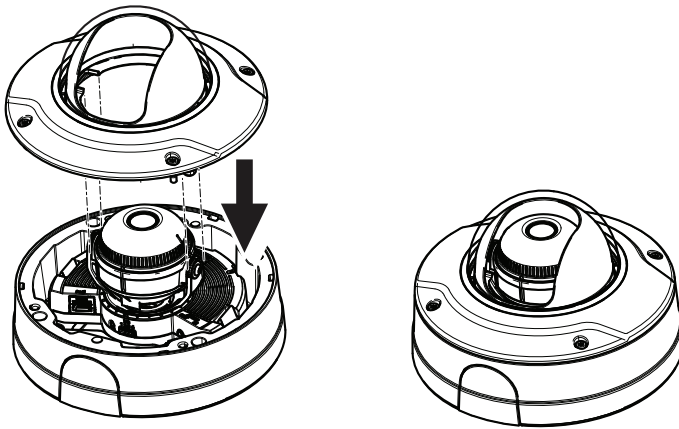
- 1 *Markierungslinien auf der Optikhalterung, die eine Erhöhung des Neigungswinkels um 10° angeben*
- 2 *Feine Markierungslinien auf der Optikhalterung, die eine Erhöhung des Schwenkwinkels um 3° angeben*
- 3 *Markierungslinien auf der Optikhalterung, die eine Erhöhung des Schwenkwinkels um 15° angeben*
- 4 *Hilfslinien für die Ausrichtung der Kamera auf der Objektivabdeckung*

1. Stellen Sie die Kamera durch Schwenken, Neigen und Drehen auf den gesamten zu überwachenden Bereich ein. Die Kamera lässt sich um 360° schwenken und um bis zu 90° neigen.
2. Stellen Sie das Bild durch Schwenken und Drehen des Objektivs ein.
3. Prüfen Sie die Ausrichtung der Kamera mithilfe der beiden Linien auf der Objektivabdeckung. Drücken Sie die Funktionstaste, um den Ausrichtungsassistenten zu aktivieren. Siehe *Funktionstaste auf Seite 61*.

Anbringen der Kuppelabdeckung

1. Stellen Sie sicher, dass die Gummidichtung sicher in der Kuppelabdeckung sitzt, wenn Sie die Kuppelabdeckung am Kameragehäuse anbringen.
2. Schieben Sie die Aussparungen in der schwarzen Schutzabdeckung über die Schrauben auf beiden Seiten der Optikhalterung der Kamera.
3. Bringen Sie bei Verwendung eines Wetterschutzes diesen an der Kuppelabdeckung an. Befestigen Sie den Wetterschutz mit den beiden mitgelieferten Schrauben.
4. Befestigen Sie die Kuppelabdeckung am Kameragehäuse mit dem Resitorx®-Schlüssel TR20.

5. Entfernen Sie die Schutzfolie von der Kuppelabdeckung.



Zugriff auf das Produkt

Für die Suche nach Axis Produkten im Netzwerk und zur Zuweisung einer IP-Adresse unter Windows® werden AXIS IP Utility und AXIS Camera Management empfohlen. Beide Anwendungen sind kostenlos und können von unserer Website unter www.axis.com/techsup heruntergeladen werden.

Das Produkt ist mit den meisten Betriebssystemen und Browsern kompatibel. Empfohlen werden folgende Browser:

- Internet Explorer® unter Windows®
- Safari® unter OS X®
- Chrome™ oder Firefox® unter anderen Betriebssystemen

Weitere Informationen zur Nutzung dieses Produkts finden Sie im Benutzerhandbuch unter www.axis.com.

Einstellen von Fokus und Zoom

Diese Anweisungen gelten, wenn Sie beim Starten der Kamera **Optical zoom for installation** (Optischer Zoom für die Installation) ausgewählt haben.

1. Rufen Sie **Video & Audio (Video & Audio) > Focus & Zoom (Video > Fokus & Zoom)** auf.
2. Stellen Sie auf der Registerkarte **Basic (Grundeinstellungen)** den Zoom mithilfe des Schiebereglers ein.

Klicken Sie auf die Schaltflächen < oder >, um die Zoomposition einen Schritt in die jeweilige Richtung zu bewegen.

Klicken Sie auf die Schaltflächen << oder >>, um die Zoomposition mehrere Schritte in die jeweilige Richtung zu bewegen.

Beachten

Während der automatischen Fokussierung dürfen vor der Kamera keine Bewegungen erfolgen.

3. Klicken Sie auf **Perform autofocus (Automatisch fokussieren)**.
4. Wenn das Ergebnis nicht optimal ist, rufen Sie die Registerkarte **Advanced (Erweitert)** auf.

Auf der Registerkarte **Advanced (Erweitert)** kann der Fokus manuell eingestellt werden:

1. Klicken Sie auf **Open iris (Blende öffnen)**, um die Blende in der Maximalstellung zu öffnen. Dadurch wird die geringste Schärfentiefe erreicht, wodurch für die Fokussierung die optimalen Bedingungen gegeben sind.
2. Der Fokus wird im Fenster **Focus (Fokus)** eingestellt. Mithilfe der Maus können Sie das Fokusfenster verschieben und dessen Größe verändern.
3. Wählen Sie in der Leiste **Focus position (Fokusposition)** den gewünschten Fokus aus. Klicken Sie auf die Schaltflächen < oder >, um die Fokusposition einen Schritt in die jeweilige Richtung zu bewegen.
Klicken Sie auf die Schaltflächen << oder >>, um die Fokusposition mehrere Schritte in die jeweilige Richtung zu bewegen.
4. Klicken Sie auf **Enable iris (Blende aktivieren)**, sobald Sie zufrieden sind.

Einstellen der Grenzwerte für Fokus und Zoom

Diese Anweisungen gelten, wenn Sie beim Starten der Kamera **Optical zoom for monitoring (Optischer Zoom für die Überwachung)** ausgewählt haben.

Einstellen von Fokus und Zoom für eine neue voreingestellte Position:

1. Wählen Sie **PTZ > Preset Positions (Voreingestellte Positionen)** aus und vergrößern Sie den bevorzugten Bereich des Kamerabilds.
2. Geben Sie in das Feld **Current position (Aktuelle Position)** den Namen für Ihre voreingestellte Position ein und wählen Sie die Option **Use current position as Home (Aktuelle Position als Ausgangsposition verwenden)** aus.
3. Klicken Sie auf **Add (Hinzufügen)**, um Ihre aktuelle Position als voreingestellte Position hinzuzufügen.
4. Wählen Sie Ihre voreingestellte Position in der Dropdown-Liste **Available positions (Verfügbare Positionen)** aus.
5. Klicken Sie auf **Go to (Gehe zu)**, um die Kamera in Ihrer voreingestellten Position einzurichten.

6. Klicken Sie auf **Save (Speichern)**.

Einstellen der Grenzen für Fokus und Zoom:

1. Rufen Sie **Video & Audio > Fokus & Zoom (Fokus & Zoom)** auf.
2. Wählen Sie in der Dropdown-Liste einen Wert für **Zoom tele limit (Maximalzoomlimit)** aus, um den maximalen Zoombereich der Kamera einzuschränken.
Die Digitalzoomstufe wird mit dem Buchstaben **D** gekennzeichnet.
3. Sie erhalten eine Vorschau des Maximalzoomlimits, indem Sie auf **Go to (Gehe zu)** klicken.
4. Wählen Sie in der Dropdown-Liste einen Wert für **Focus near limit (Nahbereichsfokuslimit)** aus, um zu verhindern, dass die Kamera Objekte unmittelbar vor dem Objektiv fokussiert.
5. Klicken Sie auf **Save (Speichern)**.

Beachten

Sie können Fokus und Zoom weiterhin über **Video & Audio > Fokus & Zoom (Fokus & Zoom)** festlegen, jedoch werden Ihre Einstellungen nach einem Kameraneustart nicht übernommen.

Zurücksetzen auf Werkseinstellungen

Wichtig

Das Zurücksetzen auf die Werkseinstellungen sollte mit Vorsicht verwendet werden. Beim Zurücksetzen auf die Werkseinstellungen werden alle Einstellungen einschließlich der IP-Adresse auf die Werkseinstellungen zurückgesetzt.

Beachten

Die Software-Tools für Installation und Verwaltung sind über die Supportseiten unter www.axis.com/techsup verfügbar.

So wird das Produkt auf die werksseitigen Standardeinstellungen zurückgesetzt:

1. Trennen Sie das Produkt von der Stromversorgung.
2. Halten Sie die Steuertaste gedrückt und stecken Sie den Netzstecker wieder ein. Siehe *Übersicht über die Hardware auf Seite 56*.
3. Halten Sie die Steuertaste etwa 15 bis 30 Sekunden gedrückt, bis die LED-Statusanzeige gelb blinkt.
4. Lassen Sie die Steuertaste los. Der Vorgang ist abgeschlossen, wenn die LED-Statusanzeige grün leuchtet. Das Produkt wurde auf die Werkseinstellungen zurückgesetzt. Wenn kein DHCP-Server im Netzwerk verfügbar ist, lautet die Standard-IP-Adresse 192.168.0.90.
5. Verwenden Sie die Software-Tools für Installation und Verwaltung, um eine IP-Adresse zuzuweisen, ein Kennwort einzurichten und auf den Videostream zuzugreifen.

Die Parameter können auch über die Weboberfläche auf die Werkseinstellungen zurückgesetzt werden. Rufen Sie **Setup > System Options > Maintenance (Setup > Systemoptionen > Wartung)** auf und klicken Sie auf **Default (Standard)**.

Weitere Informationen

- Unter www.axis.com finden Sie die aktuelle Version dieses Dokuments.
- Das Benutzerhandbuch steht unter www.axis.com zur Verfügung.
- Unter www.axis.com/support finden Sie Firmware-Aktualisierungen für Ihre Produkte.
- Nützliche Onlineschulungen und Webinare finden Sie unter www.axis.com/academy.

Gewährleistungsinformationen

Informationen zur Gewährleistung der Axis Produkte und andere, hierzu relevante Informationen, finden Sie unter www.axis.com/warranty/

Informazioni di sicurezza

Leggere con attenzione questa guida all'installazione prima di installare il dispositivo. Conservare questo documento per usi futuri.

Livelli di pericolo

▲PERICOLO

Indica una situazione pericolosa che, se non evitata, provoca morte o lesioni gravi.

▲AVVERTENZA

Indica una situazione pericolosa che, se non evitata, potrebbe provocare la morte o lesioni gravi.

▲ATTENZIONE

Indica una situazione pericolosa che, se non evitata, può provocare lesioni medie o minori.

AWISO

Indica una situazione che, se non evitata, può danneggiare la proprietà.

Altri livelli di messaggio

Importante

Indica informazioni importanti, essenziali per il corretto funzionamento del dispositivo.

Nota

Indica informazioni utili che aiutano a ottenere il massimo dal dispositivo.

Informazioni di sicurezza

AVVISO

- Il dispositivo Axis deve essere utilizzato in conformità alle leggi e alle disposizioni locali.
- Conservare il dispositivo Axis in un ambiente asciutto e ventilato.
- Evitare di esporre il dispositivo Axis a urti o pressioni eccessive.
- Non installare il dispositivo su supporti, superfici o pareti instabili.
- Utilizzare solo strumenti idonei quando si installa il dispositivo Axis. Se si utilizza una forza eccessiva con strumenti non adatti è possibile causare danni al dispositivo.
- Non utilizzare sostanze chimiche, agenti caustici o detergenti aerosol.
- Utilizzare un panno pulito inumidito in acqua pura per la pulizia.
- Utilizzare solo accessori compatibili con le specifiche tecniche del dispositivo. Questi possono essere forniti da Axis o da terze parti.
- Utilizzare solo parti di ricambio fornite o consigliate da Axis.
- Non tentare di riparare il dispositivo da soli. Contattare l'assistenza o il rivenditore Axis per questioni relative alla manutenzione.

Trasporto

AVVISO

- Durante il trasporto del dispositivo Axis, utilizzare l'imballaggio originale o equivalente per evitare danni al dispositivo.

Batteria

Il dispositivo Axis utilizza una batteria al litio da 3,0 V CR2032 come alimentazione per il suo real-time clock (RTC) interno. In condizioni normali questa batteria avrà una durata minima di cinque anni.

Una bassa carica della batteria influisce sul funzionamento del RTC, facendolo resettare a ogni accensione. Quando la batteria deve essere sostituita, un messaggio di registro viene visualizzato nel server report del dispositivo. Per ulteriori informazioni sul report server, vedere le pagine di configurazione del dispositivo o contattare l'assistenza Axis.

La batteria non deve essere sostituita se non richiesto, ma nel caso in cui questo fosse necessario, contattare il supporto Axis all'indirizzo www.axis.com/techsup per assistenza.

La batteria a bottone al litio 3,0 V contiene 1,2-dimetossietano; etere dimetilico di glicole etilenico (EGDME), CAS n. 110-71-4.

⚠AVVERTENZA

- Rischio di esplosione se la batteria viene sostituita in modo errato.

- Sostituire solo con una batteria identica o una batteria consigliata da Axis.
- Smaltire le batterie usate in base alle normative locali o alle istruzioni del produttore della batteria.

Cupola di protezione

AVVISO

- Fare attenzione a non graffiare, danneggiare o lasciare impronte sul cupola di protezione, perché potrebbe diminuire la qualità dell'immagine. Se possibile, tenere la protezione in plastica sulla cupola fino a quando l'installazione non sarà completata.
- Non pulire la cupola di protezione quando allo sguardo sembra pulita e non lucidare la superficie. Una pulizia eccessiva potrebbe danneggiare la superficie.
- Per la pulizia generale della cupola di protezione, si consiglia di utilizzare un sapone neutro o detergente non abrasivo con acqua pura e un panno morbido e pulito. Sciacquare bene con acqua pura tiepida. Asciugare con un panno morbido e pulito per evitare macchie d'acqua.
- Non usare mai detergenti aggressivi, benzina, benzene o acetone ecc ed evitare di pulire la cupola di protezione alla luce diretta del sole o a temperature elevate.

Informazioni sulla Guida all'installazione

La presente Guida all'installazione fornisce le istruzioni necessarie per installare la telecamera di rete a cupola fissa AXIS Q3504-VE o la telecamera di rete a cupola fissa AXIS Q3505-VE Mk II nella rete. Per ulteriori informazioni sull'utilizzo del dispositivo, consultare la Guida per l'utente disponibile all'indirizzo www.axis.com.

Procedura di installazione

1. Assicurarsi che il contenuto della confezione, gli strumenti e altri materiali necessari per l'installazione siano in ordine. Consultare *pagina 79*.
2. Studiare la descrizione dell'hardware. Consultare *pagina 80*.
3. Studiare le specifiche. Consultare *pagina 85*.
4. Installare l'hardware. Consultare *pagina 87*.
5. Accedere al dispositivo. Consultare *pagina 94*.

Contenuto della confezione

- Telecamera di rete a cupola fissa AXIS Q3504-VE o telecamera di rete a cupola fissa AXIS Q3505-VE Mk II
- Chiave a L Resistorx® TR20
- Connettore I/O
- Guarnizioni per cavi aggiuntive
 - Guarnizione per cavi M20 5 mm (per cavo di 5-10 mm di diametro)
 - Guarnizione per cavi M20 3 mm (per cavo di 3-5 mm di diametro)
- Schermo di protezione dagli agenti atmosferici
- Adattatore per canalina AXIS a U da 30 mm A
- Strumento di montaggio RJ45
- Materiale cartaceo
 - Guida all'installazione (questo documento)
 - Maschera di foratura (2x)
 - Etichetta aggiuntiva con numero di serie (2x)
 - Chiave di autenticazione AVHS

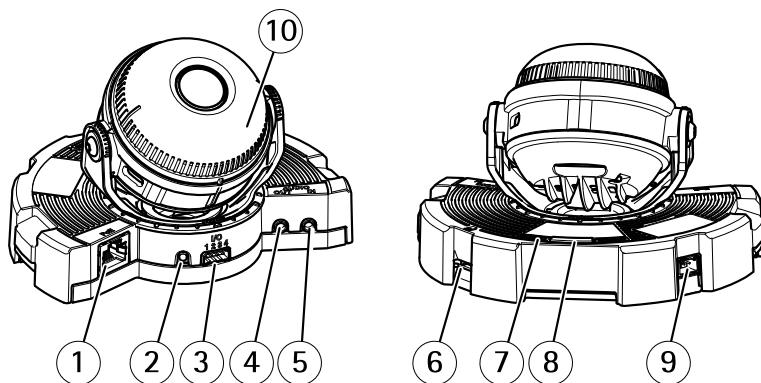
Accessori opzionali

Per un elenco completo degli accessori disponibili per questo dispositivo, vedere www.axis.com

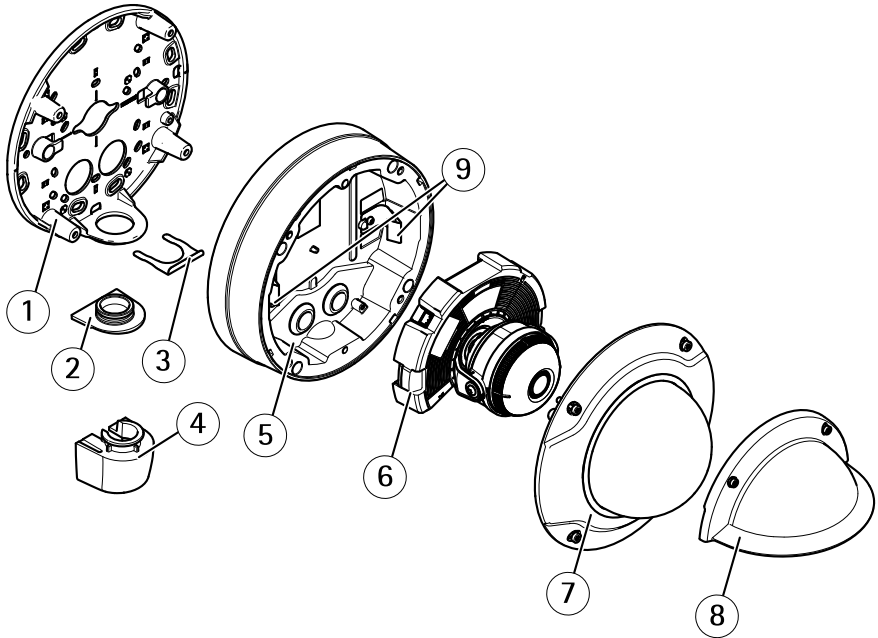
Panoramica dell'hardware

Nota

Obiettivo da 3 - 9 mm se durante la pulizia si esercita una pressione eccessiva sull'obiettivo, è possibile che questo si sposti verso il basso. Se tale evento si verifica durante il funzionamento della telecamera, calibrare nuovamente gli strumenti ottici facendo clic su **Calibrate (Calibra)** dalla pagina **Web Server Maintenance (Manutenzione server) (System Options (Opzioni di sistema) > Maintenance (Manutenzione))**.



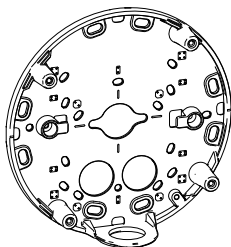
- 1 *Connettore di rete*
- 2 *Pulsante di comando*
- 3 *Connettore I/O*
- 4 *Uscita audio*
- 5 *Ingresso audio*
- 6 *Slot per scheda SD*
- 7 *LED di stato*
- 8 *Tasto Funzione*
- 9 *Connettore CA/CC per accessorio di alimentazione*
- 10 *Riscaldatore **Attenzione!** Il riscaldatore potrebbe essere caldo.*







- 1 Staffa di montaggio
- 2 Copertura laterale del foro laterale nella staffa di montaggio
- 3 Clip di arresto
- 4 Adattatore per canalina
- 5 Casing dell'unità
- 6 Unità telecamera
- 7 Copertura a cupola
- 8 Schermo di protezione dagli agenti atmosferici
- 9 Molle

Staffa di montaggio

La staffa di montaggio ha 4 diversi schemi di montaggio. La disposizione è standard per ciascuna delle seguenti opzioni di montaggio:



-  : scatola quadrata da 4"
-  : scatola di giunzione per unità doppia, a dimensioni standard USA
-  : scatola ottagonale da 4"
-  : scatola di giunzione per unità singola, a dimensioni standard USA

Indicatori LED

Nota

- Il LED di stato può essere configurato per lampeggiare quando un evento è attivo.
- Il LED di stato può essere configurato per lampeggiare per identificare l'unità. Andare su **Setup > System Options > Maintenance (Configurazione > Opzioni di sistema > Manutenzione)**.

LED di stato	Indicazione
Spento	Connessione e funzionamento normale.
Verde	Una luce verde fissa per 10 secondi indica il normale funzionamento una volta completato l'avvio.
Giallo	Luce fissa durante l'avvio. Lampeggia durante l'aggiornamento del firmware.
Giallo/rosso	Lampeggia in giallo/rosso se il collegamento di rete non è disponibile o è stato perso.

Comportamento del LED di stato e del segnale acustico per Levelling Assistant

Per informazioni sul tasto Funzione utilizzato per il livellamento dell'immagine, consultare *Connettori e pulsanti*.

Colore	Segnale acustico	Posizione telecamera
Verde fisso	Segnale acustico continuo	Orizzontale
Luce lampeggiante verde	Intervallo rapido	Quasi orizzontale
Luce lampeggiante arancione	Intervallo medio	Non orizzontale
Luce lampeggiante rossa	Intervallo lento	Absolutamente non orizzontale

Connettori e pulsanti

Per le specifiche e le condizioni di funzionamento, consultare *pagina 85*.

Connettore di rete

Connettore Ethernet RJ45 con Power over Ethernet (PoE+).

AWISO

Collegare il dispositivo con un cavo di rete schermato (STP). Tutti i cavi che collegano il dispositivo alla rete sono destinati al loro uso specifico. Accertarsi che i dispositivi di rete siano installati secondo le istruzioni del produttore. Per maggiori informazioni sui requisiti normativi, consultare *Electromagnetic Compatibility (EMC) 2*.

Connettore I/O

Utilizzare con dispositivi esterni in combinazione con, ad esempio, allarmi antimanomissione, rilevazione del movimento, attivazione di eventi, registrazione temporizzata e notifiche di allarme. Oltre al punto di riferimento 0 V CC e all'alimentazione (uscita CC), il connettore I/O fornisce l'interfaccia per:

- **Uscita digitale** – Per collegare dispositivi esterni come relè o LED. Le periferiche collegate possono essere attivate tramite VAPIX® API (interfaccia per la programmazione di applicazioni), tramite i pulsanti di comando della pagina Live View (Immagini dal vivo) oppure tramite l'opzione Action Rule (regola di azione). L'uscita verrà visualizzata come attiva (visualizzata in **System Options > Ports & Devices (Opzioni di Sistema > Porte e Dispositivi)**) se il dispositivo di allarme è attivato.
- **Ingresso digitale** – Ingresso allarme utilizzabile per collegare le periferiche, che può passare dal circuito chiuso al circuito aperto, ad esempio: Sensori di movimento (PIR), contatti porta/finestra, rilevatori di rottura vetri e così via. Dopo la ricezione del segnale lo stato cambia e l'ingresso diventa attivo (visualizzato in **System Options > Ports & Devices (Opzioni di Sistema > Porte e Dispositivi)**).

AXIS Q35-VE Series

Connettore audio

Il prodotto Axis dispone dei seguenti connettori audio:

- **Ingresso audio (rosa)** - Ingresso audio da 3,5 mm per microfono in mono o segnale mono line-in.
- **Uscita audio (verde)** - Uscita audio da 3,5 mm (livello di linea) che può essere connessa a un sistema di indirizzo pubblico (PA) o a un altoparlante con amplificatore integrato. Per l'uscita audio è necessario usare un connettore stereo.

Connettori audio da
3,5 mm (stereo)



	1 Punta	2 Anello	3 Guaina
Ingresso audio	Bilanciato: Ingresso microfono segnale "Hot"/linea Non bilanciato: Ingresso microfono/linea	Bilanciato: Ingresso microfono segnale "Cold"/linea Non bilanciato: Inutilizzato	Terra
Uscita audio	Uscita linea (mono)		Terra

Slot per scheda SD

AVVISO

- Rischio di danni alla scheda SD. Non utilizzare strumenti appuntiti o oggetti metallici e non esercitare eccessiva forza durante l'inserimento o la rimozione della scheda SD. Utilizzare le dita per inserire e rimuovere la scheda.
- Rischio di perdita di dati e danneggiamento delle registrazioni. Non rimuovere la scheda SD mentre il dispositivo è in funzione. Scollegare l'alimentazione ed effettuare l'unmount della scheda SD dalle pagine Web del dispositivo Axis prima di rimuoverla.

Questo dispositivo supporta schede microSD/microSDHC/microSDXC (scheda di memoria non inclusa).

Per i consigli sulla scheda SD, visitare il sito Web www.axis.com.

Pulsante di comando

Per l'ubicazione del pulsante di comando, vedere *Panoramica dell'hardware alla pagina 80*.

Il pulsante di comando viene utilizzato per:

- Ripristino del dispositivo alle impostazioni predefinite di fabbrica. Consultare *pagina 96*.

- Collegamento a un servizio AXIS Video Hosting System o AXIS Internet Dynamic DNS Service. Per ulteriori informazioni su questi servizi, consultare il Manuale Utente.

Tasto Funzione

Il tasto Funzione può essere utilizzato per più finalità:

- **Levelling assistant** – Questa funzione consente di garantire che l'immagine sia in posizione orizzontale. Premere il pulsante per circa 2 secondi per avviare il levelling assistant e premere nuovamente per interrompere la funzione. Il LED di stato (consultare *pagina 82*) e il segnale acustico sono di ausilio nel livellamento dell'immagine. L'immagine è in posizione orizzontale quando il segnale acustico è continuo.
- **Per visualizzare il LED di stato** – Premere il pulsante una volta per accendere i LED di stato. Premerlo di nuovo per spegnerli. I LED si spegneranno in modo automatico dopo 10 secondi.

Multicable (venduto separatamente)

È possibile acquistare il Multicable presso il proprio rivenditore Axis per collegare un apparecchio esterno al dispositivo Axis. Il cavo fornisce i connettori seguenti:

Connettore I/O – Consultare *Connettori alla pagina 86*.

Connettore audio – Consultare *Connettori alla pagina 86*.

Connettore di alimentazione – Connettore per alimentazione CA/CC per cavi di collegamento al convertitore di alimentazione da CA/CC a CC AXIS T8051 (non incluso).

Cavi	Specifiche
Rosso	+ CC o CA
Nero	- CC o CA

Dati tecnici

Condizioni di funzionamento

Dispositivo	Classificazione	Temperatura	Umidità
AXIS Q3504-VE AXIS Q3505-VE Mk II	Classe IEC 60529 IP66 e IP67 NEMA 250 4X	Da -50 °C a 60 °C (da -58 °F a 140 °F)	10 - 100% (umidità relativa con condensa)

AXIS Q35-VE Series

Consumo energetico

Dispositivo	PoE	CC	CA
AXIS Q3504-VE AXIS Q3505-VE Mk II	IEEE 802.3af/802.3at Tipo 1, Classe 3, max 11,7 W	8-28 V CC, max 16,5 W	20-24 V CA, max 24,5 VA

Connettori

Connettore I/O

Funzione	Pin	Note	Specifiche
0 V CC (-)	1		0 V CC
Uscita CC	2	Può essere utilizzato anche per alimentare una periferica ausiliaria. Nota: questo pin può essere usato solo come uscita alimentazione.	12 V CC Carico massimo = 50 mA
Configurabile (ingresso o uscita)	3-4	Ingresso digitale - collegare al pin 1 per attivarlo oppure lasciarlo isolato (scollegato) per disattivarlo.	da 0 a max 30 V CC
		Uscita digitale - Collegare al pin 1 quando attiva, isolata (scollegata) quando inattiva. Se utilizzata con un carico induttivo, ad esempio un relè esterno, è necessario collegare un diodo in parallelo al carico per proteggere il dispositivo da sovratensioni.	Da 0 a max 30 V CC, open-drain, 100 mA

Per un esempio di schema, consultare *Connettore I/O alla pagina 87*.

Connettore audio

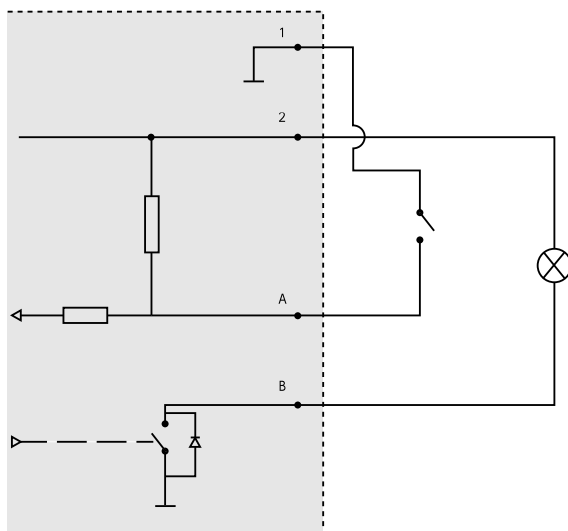
Connettori audio da
3,5 mm (stereo)



	1 Punta	2 Anello	3 Guaina
Ingresso audio	Bilanciato: Ingresso microfono segnale "Hot"/linea Non bilanciato: Ingresso microfono/linea	Bilanciato: Ingresso microfono segnale "Cold"/linea Non bilanciato: Inutilizzato	Terra
Uscita audio	Uscita linea (mono)		Terra

Schema delle connessioni

Connettore I/O



- 1 0 V CC (-)
- 2 Uscita CC 12 V, max 50 mA
- A I/O configurato come ingresso
- B I/O configurato come uscita

Installare l'hardware

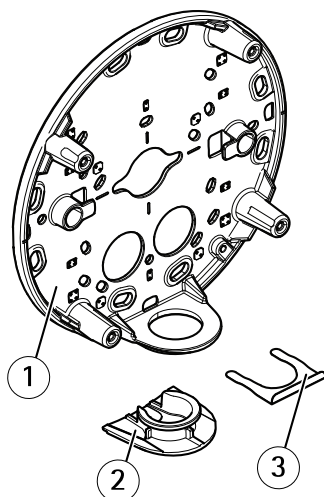
Installazione dei cavi

- Per installare i cavi lungo la parete, consultare *pagina 88*.

- Per far passare i cavi attraverso la parete, consultare *pagina 89*.
- Se si fissa un tubo alla staffa di montaggio, consultare *pagina 90*.
- Se si utilizza un adattatore per canalina per installare i cavi lungo la parete, consultare la Guida all'installazione fornita con tale adattatore.

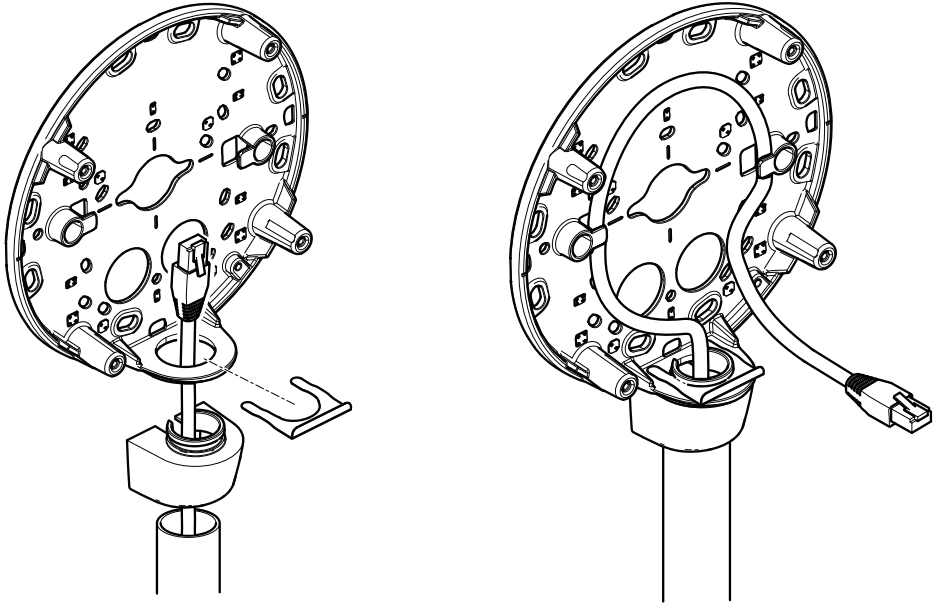
Installazione dei cavi lungo la parete

1. Utilizzare la maschera di foratura per praticare quattro fori per la staffa di montaggio.
2. Rimuovere la clip di arresto e la copertura laterale.



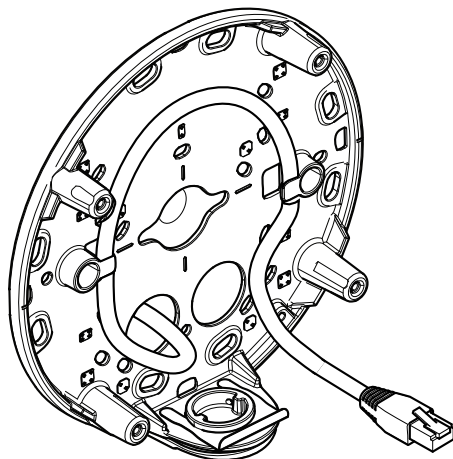
- 1 Staffa di montaggio
- 2 Copertura laterale
- 3 Clip di arresto

3. Fissare una canalina appropriata con la clip di arresto per tenerla in posizione.
4. Fissare la staffa di montaggio alla parete con le viti appropriate.
5. Far passare il cavo attraverso la canalina.
6. Inserire il cavo di rete nelle scanalature della staffa di montaggio mantenendo fuori una parte per un eventuale utilizzo successivo.



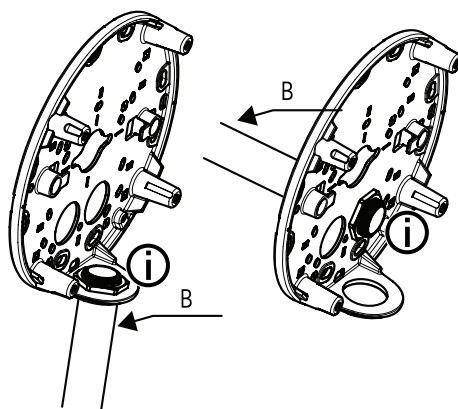
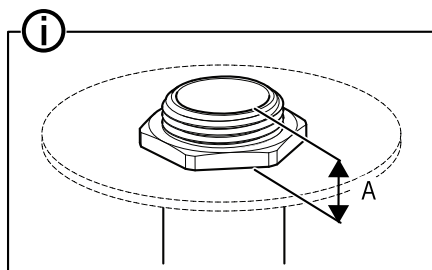
Installazione dei cavi attraverso la parete

1. Utilizzare la maschera di foratura per praticare quattro fori per la staffa di montaggio e uno per ogni cavo.
2. Fissare la staffa di montaggio alla parete con le viti appropriate.
3. Far passare il cavo di rete e il cavo multiconnettore, se utilizzato, attraverso la parete e la staffa di montaggio.
4. Inserire il cavo di rete nelle scanalature della staffa di montaggio mantenendo fuori una parte per un eventuale utilizzo successivo.



Modalità di fissaggio del supporto di un tubo alla staffa di montaggio

1. Fissare la piastra di montaggio alla parete.
2. Fissare il tubo con il controdado applicando loctite tra il dado e le filettature sul tubo. Assicurarsi che la distanza A sia entro i limiti.



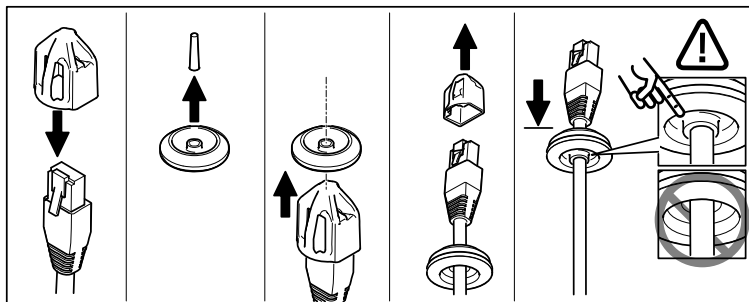
- A Massimo 8 mm
 B Tubo da 3/4"

Collegamento dei cavi e fissaggio del casing dell'unità alla staffa di montaggio

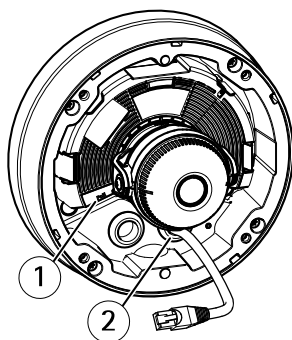
1. Inserire una scheda SD nell'unità telecamera (opzionale).
2. Spingere il cavo di rete attraverso la relativa guarnizione nera in uno dei fori del casing dell'unità utilizzando l'alloggiamento fornito.
3. Tirare delicatamente il cavo di rete in modo da adattare la guarnizione al cavo.

AWISO

Se il cavo non viene tirato potrebbero verificarsi infiltrazioni d'acqua e danni al dispositivo.



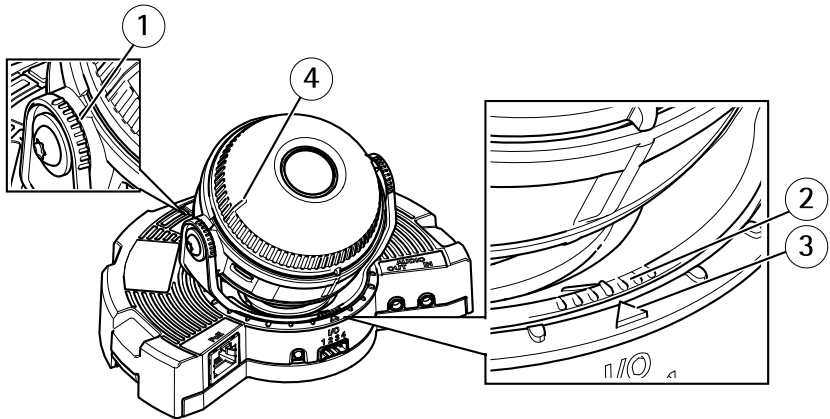
4. Far passare il cavo di rete attraverso la guarnizione del cavo nel punto più lontano dal connettore di rete sull'unità telecamera.



- 1 *Connettore di rete*
- 2 *Guarnizione per cavi*

5. Per fissare il casing dell'unità alla staffa di montaggio, stringere le quattro viti antimanomissione utilizzando la chiave Resistorx® TR20.
6. Collegare il cavo all'unità telecamera.
7. Allontanare le molle del casing dell'unità e fissare l'unità telecamera in posizione.

Regolazione dell'angolazione della telecamera

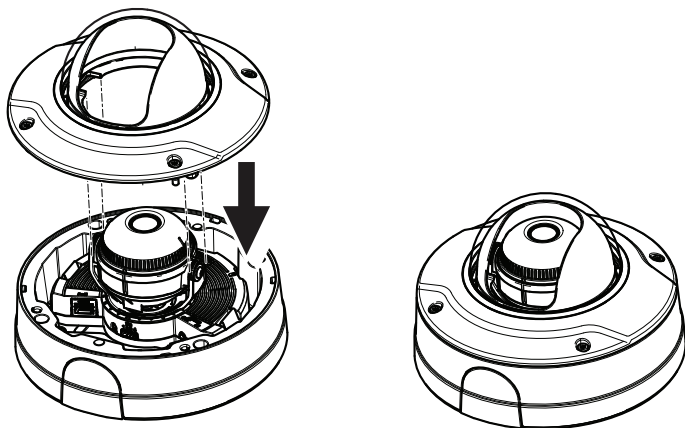


- 1 *Linee sul supporto dell'ottica che indicano un incremento dell'angolo di inclinazione di 10°*
- 2 *Linee piccole sul montaggio dell'ottica che indicano un incremento della rotazione di 3°*
- 3 *Linee sul montaggio dell'ottica che indicano un incremento della rotazione di 15°*
- 4 *Linee sul coperchio dell'obiettivo che consentono di garantire che la telecamera sia in posizione orizzontale.*

1. Copertura dell'area sotto sorveglianza grazie alle funzioni di panoramica, inclinazione e rotazione della telecamera. È possibile ruotare a 360° e inclinare a un angolo di 90°.
2. Regolare l'immagine ruotando l'obiettivo.
3. Per accertarsi che la telecamera sia in posizione orizzontale, utilizzare le due linee sul coperchio dell'obiettivo. Per attivare il levelling assistant, premere il tasto Funzione. Consultare *Tasto Funzione alla pagina 85*.

Fissaggio della cupola di protezione

1. Assicurarsi che la guarnizione in gomma sia ben salda sulla copertura a cupola, quando si fissa tale copertura al casing dell'unità.
2. Utilizzare le scanalature dello schermo protettivo nero sulle viti poste ai lati del supporto dell'ottica della telecamera.
3. Se si utilizza uno schermo di protezione dagli agenti atmosferici, fissarlo alla copertura a cupola. Utilizzare le due viti fornite con lo schermo di protezione contro gli agenti atmosferici.
4. Fissare la cupola di protezione al casing con la chiave Resistorx® TR20.
5. Rimuovere la pellicola protettiva dalla copertura a cupola.



Accedere al dispositivo

AXIS IP Utility e AXIS Camera Management sono i metodi consigliati per trovare i dispositivi Axis in rete e assegnare loro un indirizzo IP in Windows®. Queste applicazioni sono entrambe gratuite e possono essere scaricate da www.axis.com/techsup

Il dispositivo può essere utilizzato con la maggior parte dei sistemi operativi e dei browser. I browser consigliati sono i seguenti:

- Internet Explorer® con Windows®
- Safari® con OS X®
- Chrome™ o Firefox® con altri sistemi operativi.

Per ulteriori informazioni sull'utilizzo del dispositivo, consultare la guida per l'utente disponibile sul sito Web www.axis.com

Impostare zoom e messa a fuoco

Le istruzioni sono valide se è stata attivata l'installazione con zoom ottico durante l'installazione della telecamera.

1. Andare a **Video & Audio (Video e audio) > Focus & Zoom (Messa a fuoco e zoom)**.
2. Nella scheda **Basic (Base)**, impostare il livello di zoom utilizzando il cursore.
Fare clic sui pulsanti **< >** per spostare la posizione dello zoom di un passo.
Fare clic sui pulsanti **<< >>** per spostare la posizione dello zoom di più passi.

Nota

Evitare i movimenti davanti alla telecamera durante l'esecuzione della messa a fuoco automatica.

3. Fare clic su **Perform autofocus (Esegui messa a fuoco automatica)**.
4. Se con la messa a fuoco automatica i risultati non sono soddisfacenti, passare alla scheda **Advanced (Avanzate)**.

Nella scheda **Advanced (Avanzate)** la messa a fuoco può essere regolata manualmente:

1. Fare clic su **Open iris (Apri diaframma)** per aprire il diaframma fino alla sua posizione massima. In questo modo, viene utilizzata la minima profondità di campo, offrendo le condizioni migliori per una corretta messa a fuoco.
2. La messa a fuoco viene impostata nella finestra **Focus (Messa a fuoco)**. Utilizzare il mouse per spostare e ridimensionare la finestra di messa a fuoco.
3. Per mettere a fuoco su un'ubicazione desiderata, fare clic nella barra **Focus position (Posizione di messa a fuoco)**.
Fare clic sui pulsanti < o > per spostare la posizione di messa a fuoco di un passo.
Fare clic sui pulsanti << o >> per spostare la posizione di messa a fuoco di più passi.
4. Al termine, fare clic su **Enable iris (Abilita diaframma)** per abilitare il diaframma.

Impostazione dei limiti della messa a fuoco e dello zoom

Le istruzioni sono valide se è stato selezionato **Optical zoom for monitoring (Monitoraggio con zoom ottico)** durante l'installazione della telecamera.

Per impostare la messa a fuoco e lo zoom per una nuova posizione preimpostata:

1. Andare a **PTZ > Preset Positions (Posizioni preimpostate)** e impostare la messa a fuoco e lo zoom per un'area preferita nell'immagine della telecamera.
2. Immettere un nome per la posizione preimpostata nel campo **Current position (Posizione corrente)** e selezionare **Use current position as Home (Utilizza posizione attuale come posizione iniziale)**.
3. Fare clic su **Add (Aggiungi)** per aggiungere la posizione attuale come posizione preimpostata.
4. Selezionare la posizione preimpostata nell'elenco a discesa **Available positions (Posizioni disponibili)**.
5. Fare clic su **Go to (Vai a)** per impostare la telecamera nella posizione preimpostata.
6. Fare clic su **Save (Salva)**.

Per impostare i limiti per la messa a fuoco e lo zoom:

1. Andare a **Video & Audio (Video e audio) > Focus & Zoom (Messa a fuoco e zoom)**.
2. Selezionare un valore nell'elenco a discesa per **Zoom tele limit (Limite tele zoom)** per limitare l'area di zoom massimo della telecamera.
Il livello di zoom digitale viene indicato con la lettera D.
3. Per visualizzare un'anteprima del limite tele zoom, fare clic su **Go to (Vai a)**.

4. Selezionare un valore nell'elenco a discesa per **Focus near limit (Limite di messa a fuoco vicina)** per evitare la messa a fuoco su oggetti troppo vicini.
5. Fare clic su **Save (Salva)**.

Nota

È anche possibile impostare la messa a fuoco e lo zoom in **Video Et Audio (Video e audio)** > **Focus Et Zoom (Messa a fuoco e zoom)**, ma le impostazioni non vengono salvate dopo il riavvio della telecamera.

Ripristino dei valori predefiniti di fabbrica

Importante

Il ripristino delle impostazioni di fabbrica deve essere usato con cautela. Un ripristino delle impostazioni di fabbrica consentirà di ripristinare le impostazioni di fabbrica per tutti i parametri, incluso l'indirizzo IP.

Nota

Gli strumenti per l'installazione e la gestione del software sono disponibili nelle pagine dedicate all'assistenza sul sito Web www.axis.com/techsup.

Per ripristinare il dispositivo alle impostazioni predefinite di fabbrica:

1. Scollegare l'alimentazione dal dispositivo.
2. Tenere premuto il pulsante di controllo e ricollegare l'alimentazione. Consultare *Panoramica dell'hardware alla pagina 80*.
3. Tenere premuto il pulsante di controllo per 15-30 secondi fino a quando l'indicatore LED di stato lampeggerà in giallo.
4. Rilasciare il pulsante di comando. Il processo è completo quando il LED di stato diventerà verde. Il dispositivo è stato reimpostato alle impostazioni di fabbrica predefinite. Se nessun server DHCP è disponibile in rete, l'indirizzo IP predefinito è 192.168.0.90.
5. Mediante gli strumenti per l'installazione e la gestione del software, assegnare un indirizzo IP, impostare la password e accedere al flusso video.

È anche possibile reimpostare i parametri alle impostazioni predefinite di fabbrica mediante l'interfaccia Web. Andare a **Setup > System Options > Maintenance (Configurazione > Opzioni di sistema > Manutenzione)** e fare clic su **Default (Predefinito)**.

Ulteriori informazioni

- Per la versione più recente di questo documento, visitare il sito all'indirizzo www.axis.com
- Il manuale per l'utente è disponibile all'indirizzo www.axis.com
- Per verificare se sono stati pubblicati aggiornamenti del firmware per il proprio dispositivo, vedere www.axis.com/support
- Per servizi di formazione utili e webinar, visita il sito www.axis.com/academy

Informazioni sulla garanzia

Per informazioni sulla garanzia del dispositivo Axis e informazioni ad esso relative, consultare la pagina www.axis.com/warranty/

Información de seguridad

Lea esta Guía de instalación con atención antes de instalar el producto. Guarde la Guía de instalación para poder consultarla en otro momento.

Niveles de peligro

▲PELIGRO

Indica una situación peligrosa que, si no se evita, provocará lesiones graves o la muerte.

▲ADVERTENCIA

Indica una situación peligrosa que, si no se evita, puede provocar lesiones graves o la muerte.

▲ATENCIÓN

Indica una situación peligrosa que, si no se evita, puede provocar lesiones moderadas o leves.

AVISO

Indica una situación peligrosa que, si no se evita, puede provocar daños materiales.

Otros niveles de mensaje

Importante

Indica información importante que es fundamental para que el producto funcione correctamente.

Nota

Indica información útil que ayuda a aprovechar el producto al máximo.

Instrucciones de seguridad

AVISO

- El producto de Axis debe utilizarse de acuerdo con las leyes y normativas locales.
- Almacene el producto de Axis en un entorno seco y ventilado.
- Evite la exposición del producto de Axis a choques o a una fuerte presión.
- No instale el producto en soportes, superficies o paredes inestables.
- Utilice solo las herramientas correspondientes cuando instale el producto de Axis. La aplicación de una fuerza excesiva con herramientas eléctricas puede provocar daños en el producto.
- No utilice limpiadores en aerosol, agentes cáusticos ni productos químicos.
- Limpie con un paño limpio humedecido con agua pura.
- Utilice solo accesorios que cumplan con las especificaciones técnicas del producto. Estos accesorios los puede proporcionar Axis o un tercero.
- Utilice solo piezas de repuesto proporcionadas o recomendadas por Axis.
- No intente reparar el producto usted mismo. Póngase en contacto con el servicio de asistencia técnica de Axis o con su distribuidor de Axis para tratar asuntos de reparación.

Transporte

AVISO

- Cuando transporte el producto de Axis, utilice el embalaje original o un equivalente para evitar daños en el producto.

Batería

Este producto de Axis utiliza una batería de litio CR2032 de 3,0 V como fuente de alimentación del reloj interno en tiempo real. En condiciones normales, esta batería durará un mínimo de cinco años.

Un nivel bajo de batería afectará al funcionamiento del reloj en tiempo real, lo que provocará el restablecimiento de este cada vez que se encienda el producto. Cuando sea necesario sustituir la batería, aparecerá un mensaje de registro en el informe del servidor del producto. Para obtener más información sobre el informe del servidor, consulte las páginas de configuración del producto o póngase en contacto con el servicio de asistencia técnica de Axis.

La batería no debe sustituirse a menos que sea necesario; no obstante, si precisa hacerlo, póngase en contacto con el servicio de asistencia técnica de Axis en www.axis.com/techsup para solicitar ayuda.

Las pilas de botón de litio de 3,0 V contienen 1,2-dimetoxietano; éter dimetilico de etilenglicol (EGDME), n.º CAS 110-71-4.

▲ADVERTENCIA

- La sustitución incorrecta de la batería implica riesgo de explosión.
- Sustituya la batería por una batería idéntica u otra batería recomendada por Axis.
- Deseche las baterías usadas de conformidad con la normativa local o las instrucciones del fabricante.

Cubierta del domo

AVISO

- Preste atención a no arañar, dañar o dejar las huellas en la cubierta del domo, puesto que esto puede provocar una disminución de la calidad de imagen. Si es posible, mantenga el plástico de protección en la cubierta del domo hasta que se complete la instalación.
- No limpie la cubierta del domo si parece a simple vista que está limpia y nunca pule la superficie. Una limpieza excesiva podría dañar la superficie.
- Para realizar un procedimiento de limpieza general de la cubierta del domo se recomienda usar detergente o jabón neutros, sin disolventes y no abrasivos mezclados con agua pura, y un paño suave y limpio. Enjuague bien con agua pura y tibia. Seque con un paño limpio y suave para evitar las manchas de gotas de agua.
- Nunca utilice detergentes abrasivos, gasolina, benceno, acetona, etc. y evite limpiar la cubierta del domo a temperaturas elevadas o en contacto directo con la luz solar.

Acerca de la guía de instalación

Esta guía de instalación incluye las instrucciones necesarias para instalar la Cámara de Red Domo Fija AXIS Q3504-VE o la Cámara de Red Domo Fija AXIS Q3505-VE Mk II en su red. Para conocer otros aspectos de uso del producto, consulte el Manual de Usuario disponible en www.axis.com.

Pasos de la instalación

1. Asegúrese de que dispone del contenido del paquete, las herramientas y los demás materiales necesarios para la instalación. *Vea página 103.*
2. Estudie la información general del hardware. *Vea página 104.*
3. Estudie las especificaciones. *Vea página 110.*
4. Instale el hardware. *Vea página 112.*
5. Acceda al producto. *Vea página 118.*

Contenido del paquete

- Cámara de red domo fija AXIS Q3504-VE o cámara de red domo fija AXIS Q3505-VE Mk II
- Llave L Resistor[®] TR20
- Conector de E/S
- Juntas de cable adicionales
 - Junta de cable M20 5 mm (para cables con diámetro de 5–10 mm)
 - Junta de cable M20 3 mm (para cables con diámetro de 3–5 mm)
- Parasol
- Adaptador para tubos AXIS con forma de U de 30 mm A
- Herramienta de montaje RJ45
- Materiales impresos
 - Guía de instalación (este documento)
 - Plantilla de perforado (2x)
 - Etiquetas adicionales con el número de serie (2x)
 - Clave de autenticación AVHS

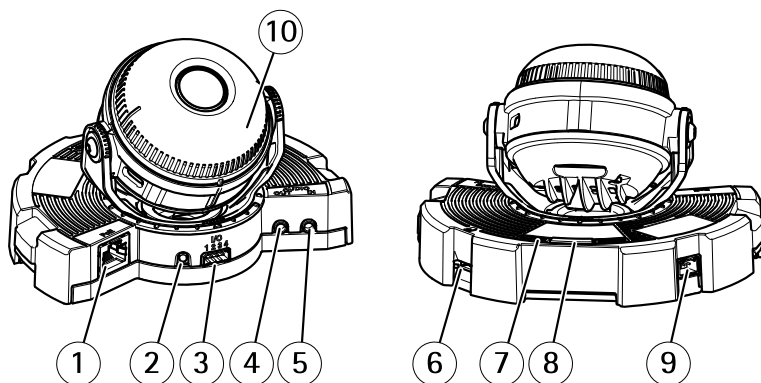
Accesorios opcionales

Para conocer una lista completa de los accesorios disponibles para este producto, vea www.axis.com

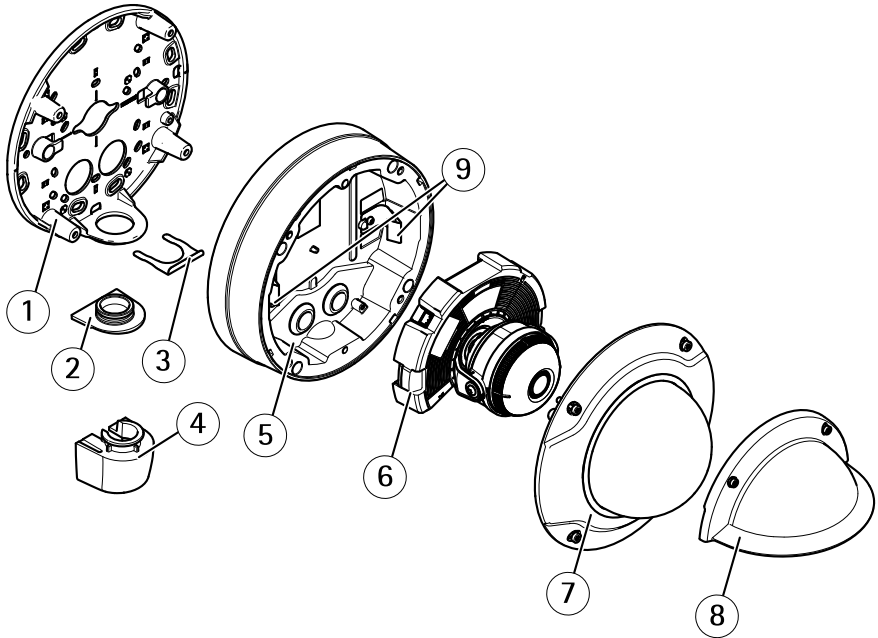
Información general del hardware

Nota

Objetivo de 3–9 mm: Si se presiona el objetivo con demasiada fuerza al limpiarlo, este podría bajarse. Si esto sucede mientras la cámara está operativa, vuelva a calibrar óptica haciendo clic en **Calibrate (Calibrar)** en la página web **Server Maintenance (Mantenimiento del servidor)** (**System Options (Opciones del sistema) > Maintenance (Mantenimiento)**).



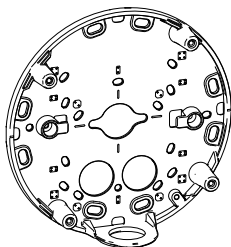
- 1 Conector de red
- 2 Botón de control
- 3 Conector de E/S
- 4 Salida de audio
- 5 Entrada de audio
- 6 Ranura para tarjetas SD
- 7 LED de estado
- 8 Botón de función
- 9 Conector de CA/CC para accesorio de alimentación
- 10 Calefactor **¡Cuidado!** El calefactor puede estar caliente.







- 1 Escuadra de montaje
- 2 Tapa lateral que cubre el orificio lateral de la escuadra de montaje
- 3 Clip de bloqueo
- 4 Adaptador para conductos
- 5 Carcasa de la unidad
- 6 Unidad de cámara
- 7 Cubierta del domo
- 8 Parasol
- 9 Muelles

Soporte de montaje

El soporte de montaje cuenta con cuatro diseños de montaje. Los diseños de montaje siguen la norma de las siguientes opciones de montaje:



-  : caja cuadrada de 10,16 cm
-  : caja de conexiones de salida doble de tamaño estándar para EE. UU.
-  : caja octogonal de 10,16 cm
-  : caja de conexiones de salida única de tamaño estándar para EE. UU.

Indicadores LED

Nota

- Se puede configurar el LED Estado para que parpadee mientras haya un evento activo.
- Se puede configurar el LED de estado para que parpadee e identifique la unidad. Vaya a **Setup > System Options > Maintenance (Configuración > Opciones del sistema > Mantenimiento)**.

LED de estado	Indicación
Apagado	Conexión y funcionamiento normal.
Verde	Se muestra fijo durante diez segundos para indicar un funcionamiento normal después de completar el inicio.
Ámbar	Fijo durante el inicio. Parpadea durante la actualización del firmware.
Ámbar/rojo	Parpadea en ámbar/rojo si la conexión a la red no está disponible o se ha perdido.

Comportamiento del indicador LED de estado y la señal del avisador acústico con el Asistente de nivelación

Para obtener información sobre el botón de función, utilizado para nivelar la imagen, vea *Conectores y botones*.

Color	Avisador acústico	Posición de la cámara:
Verde continuo	Sonido continuo	Nivelada
Verde parpadeante	Intervalo rápido	Casi nivelada
Ámbar parpadeante	Intervalo medio	No nivelada
Rojo parpadeante	Intervalo lento	En absoluto nivelada

Conectores y botones

Para conocer las especificaciones y las condiciones de funcionamiento, vea *página 110*.

Conector de red

Conector Ethernet RJ45 con alimentación a través de Ethernet (PoE).

AVISO

El producto se conectará mediante un cable de red blindado (STP). Todos los cables que conecten el producto a la red deberán estar blindados para su uso específico. Asegúrese de que los dispositivos de red estén instalados de conformidad con las instrucciones del fabricante. Para obtener información sobre los requisitos normativos, vea *Electromagnetic Compatibility (EMC) 2*.

Conector de E/S

Se utiliza con dispositivos externos combinados, por ejemplo, con alarmas antimanipulación, detección de movimiento, activación de eventos, grabación de intervalos de tiempo y notificaciones de alarma. Además del punto de referencia de 0 V CC y la potencia (salida de CC), el conector de E/S ofrece la interfaz para:

- **Salida digital:** para conectar dispositivos externos como relés y LED. Los dispositivos conectados se pueden activar mediante la Interfaz de programación de aplicaciones (API) VAPIX®, los botones de salida de la página Live View o mediante una regla de acción. La salida se mostrará activa (se indica en **System Options > Ports & Devices (Opciones del sistema > Puertos y dispositivos)**) si el dispositivo de alarma está activado.
- **Entrada digital:** una entrada de alarma para conectar dispositivos que puedan alternar circuitos cerrados y abiertos, como detectores PIR, contactos de puertas y ventanas, detectores de rotura de cristales, etc. Cuando se recibe una señal, el estado cambia y

AXIS Q35-VE Series

la entrada se vuelve activa (se indica en **System Options > Ports Et Devices (Opciones del sistema > Puertos y dispositivos)**).

Conector de audio

El producto de Axis integra los siguientes conectores de audio:

- **Entrada de audio (rosa):** entrada de 3,5 mm para micrófono mono, o entrada de línea de señal mono.
- **Salida de audio (verde):** salida para audio (nivel de línea) de 3,5 mm que se puede conectar a un sistema de megafonía pública o a un altavoz con amplificador incorporado. Debe utilizarse un conector estéreo para la salida de audio.

Conectores de audio de 3,5 mm (estéreo)



	1 Punta	2 Anillo	3 Manguito
Entrada de audio	Balanceada: entrada de línea/micrófono de señal "hot" No balanceada: Entrada de línea/micrófono	Balanceada: entrada de línea/micrófono de señal "cold" No balanceada: sin utilizar	Tierra
Salida de audio	Salida de línea (mono)		Tierra

Ranura para tarjetas SD

AVISO

- Riesgo de daños en la tarjeta SD. No utilice herramientas afiladas, objetos de metal ni ejerza demasiada fuerza al insertar o extraer la tarjeta SD. Utilice los dedos para insertar o extraer la tarjeta.
- Riesgo de pérdida de datos y grabaciones dañadas. No extraiga la tarjeta SD mientras el producto esté en funcionamiento. Desconecte la corriente o desinstale la tarjeta SD desde las páginas web de producto de Axis antes de retirarla.

Este producto admite tarjetas microSD/microSDHC/microSDXC (no incluidas).

Para conocer las recomendaciones de tarjeta SD, consulte www.axis.com.

Botón de control

Para conocer la ubicación del botón de control, vea *Información general del hardware en la página 104*.

El botón de control se utiliza para lo siguiente:

- Restablecer el producto a la configuración predeterminada de fábrica. Consulte *página 120*.
- Conectarse a un servicio AXIS Video Hosting System o al Servicio de DNS dinámico de Internet de AXIS. Para obtener más información sobre estos servicios, consulte el Manual del usuario.

Botón de función

El botón de función tiene diversas utilidades:

- **As Levelling Assistant (Como asistente de nivelación):** Esta función ayuda a garantizar que la imagen esté nivelada. Presione el botón durante 2 segundos aproximadamente para iniciar el asistente de nivelación y presiónelo de nuevo para detenerlo. El indicador LED de estado (vea *página 107*) y la señal del avisador acústico ayudan a nivelar la imagen. La imagen está nivelada cuando el avisador acústico emite un sonido continuo.
- **Para ver el LED de estado:** Pulse el botón una vez para iluminar los LED de estado. Púselo de nuevo para apagarlos. Los LED se apagarán automáticamente después de 10 segundos.

Multicable (se vende por separado)

El multicable se puede adquirir en cualquier revendedor de Axis para conectar el equipo externo al producto de Axis. El cable proporciona los siguientes conectores:

Conector de E/S – Consulte *Conectores en la página 110*.

Conector de audio – Consulte *Conectores en la página 110*.

Conector de alimentación – Conector para CA y CC para conectarse a los cables del convertidor de alimentación CA/CC a CC AXIS T8051 (no incluido).

Cables	Especificaciones
Rojo	+ CC o CA
Negro	– CC o CA

Especificaciones

Condiciones de funcionamiento

Producto	Clasificación	Temperatura	Humedad
AXIS Q3504-VE AXIS Q3505-VE Mk II	IEC 60529 IP66 e IP67 NEMA 250 4X	De -50 °C a 60 °C	Humedad relativa del 10 al 100 % (con condensación)

Consumo

Producto	PoE	CC	CA
AXIS Q3504-VE AXIS Q3505-VE Mk II	IEEE 802.3af/802.3at Tipo 1, Clase 3, 11,7 W máx.	8-28 V CC, 16,5 W máx.	20-24 V CA, 24,5 VA máx.

Conectores

Conector de E/S

Función	Pin	Notas	Especificaciones
0 V CC (-)	1		0 V CC
Salida de CC	2	Se puede utilizar para conectar equipo auxiliar. Nota: Este pin solo se puede utilizar como salida de alimentación.	12 V CC Carga máx. = 50 mA
Configurable (entrada o salida)	3-4	Entrada digital: Conéctela al pin 1 para activarla, o bien déjela suelta (sin conectar) para desactivarla.	0 a 30 V CC máx.
		Salida digital: Conectada al pin 1 cuando se activa, suelta (sin conectar) cuando está desactivada. Si se utiliza con una carga inductiva (por ejemplo, un relé), debe conectarse un diodo en paralelo a la carga como protección ante transitorios de tensión.	0 a 30 V CC máx., colector abierto, 100 mA

Para ver un ejemplo del diagrama, consulte *Conector de E/S en la página 111*.

Conector de audio

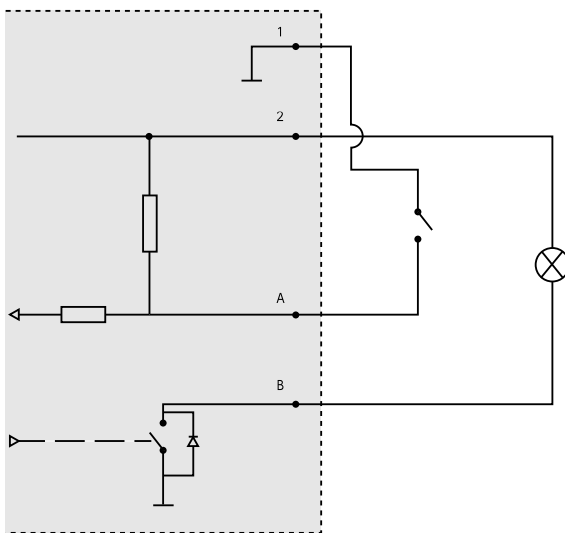
Conectores de audio de 3,5 mm (estéreo)



	1 Punta	2 Anillo	3 Manguito
Entrada de audio	Balanceada: entrada de línea/micrófono de señal "hot" No balanceada: Entrada de línea/micrófono	Balanceada: entrada de línea/micrófono de señal "cold" No balanceada: sin utilizar	Tierra
Salida de audio	Salida de línea (mono)		Tierra

Diagramas de conexión

Conector de E/S



- 1 0 V CC (-)
- 2 Salida de CC 12 V, 50 mA máx.

- A E/S configurada como entrada
B E/S configurada como salida

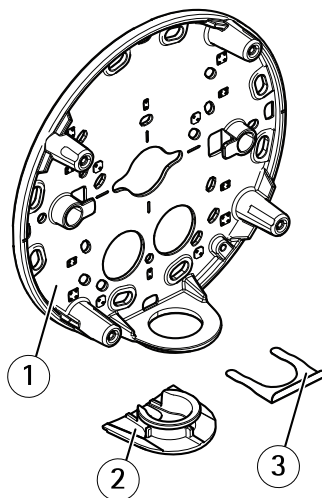
Instalación del hardware

Guía de los cables

- Si desea guiar los cables a lo largo de la pared, consulte *página 112*.
- Si desea guiar los cables a través de la pared, consulte *página 113*.
- Si va a fijar un tubo a la escuadra de montaje, consulte *página 114*
- Si utiliza un adaptador para conexiones para guiar los cables a lo largo de la pared, consulte la guía de instalación proporcionada con el adaptador para conexiones.

Tendido de los cables a lo largo de la pared

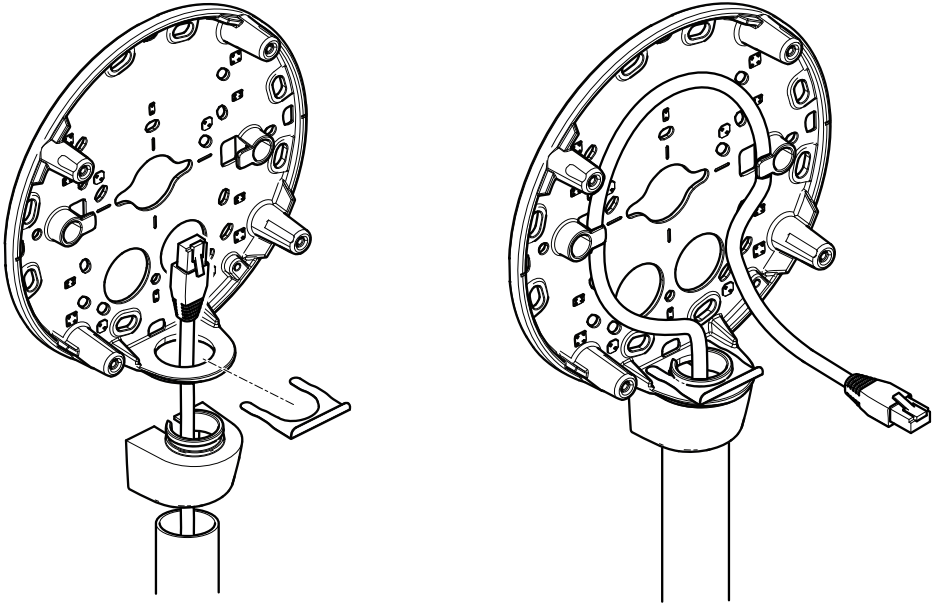
1. Utilice la plantilla de perforado para realizar cuatro orificios para la escuadra de montaje.
2. Retire el clip de bloqueo y la tapa lateral.



- 1 Escuadra de montaje
2 Tapa lateral
3 Clip de bloqueo

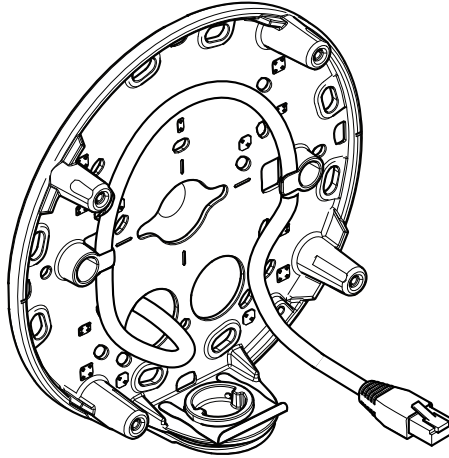
3. Fije una conexión adecuada con el clip de bloqueo para mantenerlo en su sitio.
4. Fije la escuadra de montaje a la pared con los tornillos adecuados.

5. Guíe el cable a través del tubo.
6. Enrolle el cable de red a lo largo de las muescas de la escuadra de montaje para dejar una longitud de cable adicional que podría necesitarse más adelante.



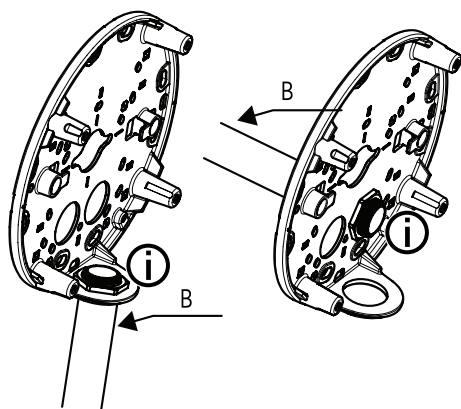
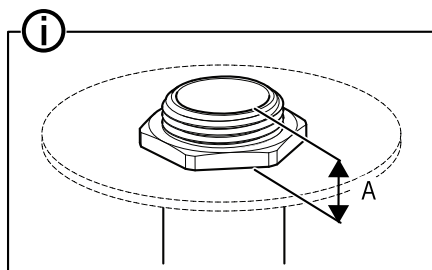
Tendido de los cables a través de la pared

1. Utilice la plantilla de perforado para realizar cuatro orificios para la escuadra de montaje y un orificio para cada cable.
2. Fije la escuadra de montaje a la pared con los tornillos adecuados.
3. Guíe el cable de red y el cable multiconector, si se utiliza, a través de la pared y la escuadra de montaje.
4. Enrolle el cable de red a lo largo de las muescas de la escuadra de montaje para dejar una longitud de cable adicional que podría necesitarse más adelante.



Cómo fijar un montaje de tubo en la escuadra de montaje

1. Fije la placa de montaje a la pared.
2. Fije el tubo con la tuerca de bloqueo utilizando Loctite entre la tuerca y las roscas del tubo. Asegúrese de que la distancia A se encuentra dentro de los límites.



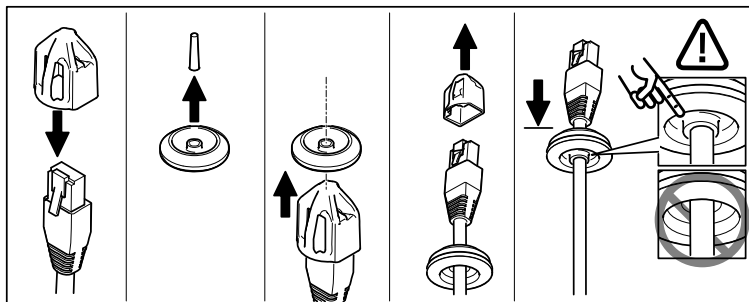
- A 8 mm máximo
- B Tubo de 3/4"

Conexión de los cables y fijación de la carcasa de la unidad a la escuadra de montaje

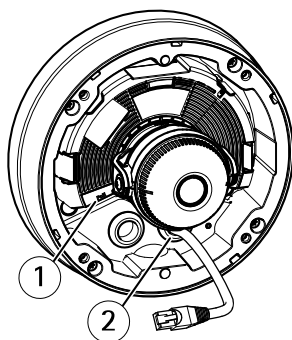
1. Inserte una tarjeta SD en la unidad de la cámara (opcional).
2. Empuje el cable de red a través de la junta de cable negra de uno de los orificios de la carcasa de la unidad utilizando el protector del conector facilitado.
3. Tire del cable de red hacia atrás suavemente de manera que la junta de cable se ajuste en el cable.

AVISO

Si no se tira del cable hacia atrás, podría filtrarse agua y dañar el producto.



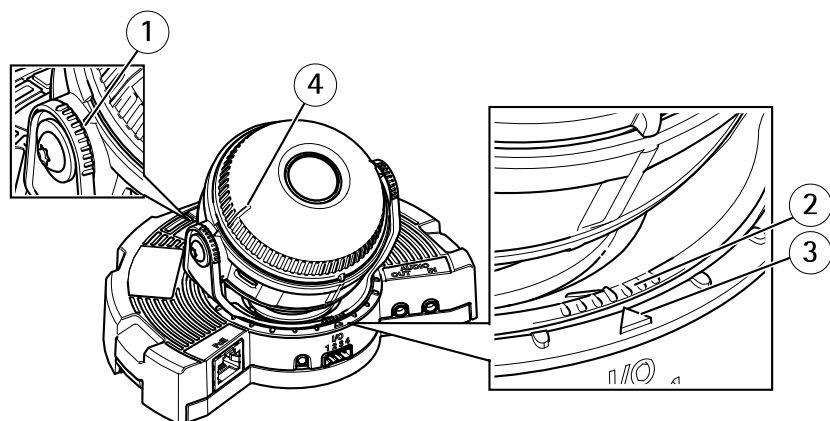
4. Guíe el cable de red a través de la junta de cable más alejada del conector de red de la unidad de la cámara.



- 1 Conector de red
- 2 Junta de cable

5. Para fijar la carcasa de la unidad a la escuadra de montaje, apriete los cuatro tornillos a prueba de manipulaciones utilizando la llave Resistorx® TR20.
6. Conecte el cable a la unidad de cámara.
7. Retire los muelles de la carcasa de la unidad y fije la cámara a la carcasa de la unidad.

Ajuste de ángulo de la cámara

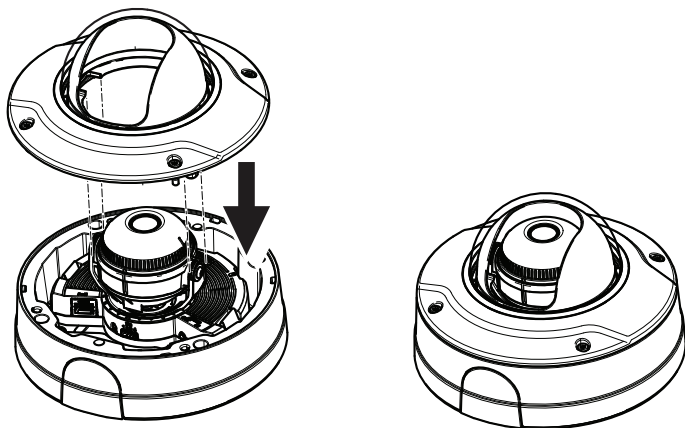


- 1 Las líneas en el soporte del sistema óptico indican un incremento en el ángulo vertical de 10°
- 2 Las líneas pequeñas en el montaje del sistema óptico indican un incremento en horizontal de 3°
- 3 Las líneas en el montaje del sistema óptico indican un incremento horizontal de 15°
- 4 Las líneas en la cubierta del objetivo ayudan a garantizar que la cámara esté nivelada

1. Mueva la cámara en horizontal y vertical y gírela para cubrir el área bajo vigilancia. Es posible moverse 360° en horizontal y un ángulo de 90° en vertical.
2. Mueva el objetivo en horizontal y gírela para ajustar la imagen.
3. Utilice las dos líneas de la cubierta del objetivo para asegurarse de que la cámara esté nivelada. Para activar el asistente de nivelación, pulse el botón de función. Consulte *Botón de función en la página 109*.

Fijación de la cubierta del domo

1. Asegúrese de que la junta de goma encaje correctamente en la cubierta del domo cuando fije la cubierta del domo a la carcasa de la unidad.
2. Deslice las muescas en la cubierta negra sobre los tornillos a ambos lados del soporte del sistema óptico de la cámara.
3. Si utiliza un parasol, acóplelo a la cubierta del domo. Utilice los dos tornillos facilitados con el parasol.
4. Fije la cubierta del domo a la carcasa de la unidad con la llave Resistorx® TR20.
5. Retire la película protectora de la cubierta del domo.



Acceso al producto

Se recomiendan AXIS IP Utility y AXIS Camera Management como métodos para buscar los productos de Axis en la red y asignarles direcciones IP en Windows®. Ambas aplicaciones son gratuitas y pueden descargarse de www.axis.com/techsup

El producto se puede utilizar con la mayoría de los sistemas operativos y navegadores. Los navegadores recomendados son:

- Internet Explorer® con Windows®
- Safari® con OS X®
- Chrome™ o Firefox® con otros sistemas operativos.

Para obtener más información sobre el uso del producto, consulte el manual del usuario, disponible en www.axis.com.

Ajuste del enfoque y el zoom

Estas instrucciones se aplican si ha seleccionado **Optical zoom for installation (Zoom óptico para la instalación)** al iniciar la cámara.

1. Vaya a **Video & Audio (Vídeo y audio) > Focus & Zoom (Enfoque y zoom)**.
2. En la pestaña **Basic (Configuración básica)**, establezca el nivel del zoom utilizando el control deslizante.
Haga clic en los botones < o > para mover la posición del zoom un paso.
Haga clic en los botones << o >> para mover la posición del zoom varios pasos.

Nota

Deben evitarse los movimientos delante de la cámara durante el enfoque automático.

3. Haga clic en **Perform auto focus (Realizar enfoque automático)**.
4. Si no está satisfecho con el enfoque automático, vaya a la pestaña **Advanced (Configuración avanzada)**.

En la pestaña **Advanced (Configuración avanzada)**, se puede ajustar el enfoque manualmente:

1. Haga clic en **Open iris (Abrir iris)** para abrir el iris hasta su máxima posición. Con esto se consigue la menor profundidad de campo posible y, por tanto, las condiciones óptimas de enfoque.
2. El enfoque se establece en la **Focus window (Ventana de enfoque)**. Utilice el ratón para mover la ventana de enfoque y cambiar su tamaño.
3. Haga clic en la barra **Focus position (Posición de enfoque)** para enfocar una localización concreta.
Haga clic en los botones < o > para mover la posición del enfoque un paso.
Haga clic en los botones << o >> para mover la posición del enfoque varios pasos.
4. Cuando esté satisfecho, haga clic en **Enable iris (Activar iris)** para activar el iris.

Ajuste de los límites de enfoque y zoom

Estas instrucciones se aplican si ha seleccionado **Optical zoom for monitoring (Zoom óptico para supervisión)** al iniciar la cámara.

Para definir el enfoque y el zoom en una nueva posición predefinida:

1. Vaya a **PTZ (PTZ) > Preset Positions (Posiciones predefinidas)** y ajuste el enfoque y el zoom al área que prefiera de la imagen de la cámara.
2. Introduzca un nombre para la posición predefinida en el campo **Current position (Posición actual)** y seleccione **Use current position as Home (Usar posición actual como inicio)**.
3. Haga clic en **Add (Agregar)** para añadir su posición actual como posición predefinida.
4. Seleccione su posición predefinida en la lista desplegable **Available positions (Posiciones disponibles)**.
5. Haga clic en **Go to (Ir a)** para establecer la cámara en su posición predefinida.
6. Haga clic en **Save (Guardar)**.

Para establecer los límites del enfoque y el zoom:

1. Vaya a **Video & Audio (Video y audio) > Focus & Zoom (Enfoque y zoom)**.
2. Seleccione un valor en la lista desplegable **Zoom tele limit (Límite de teleobjetivo con zoom)** para limitar el área de zoom máximo de la cámara.
El nivel del zoom digital se indica con la letra D.
3. Para previsualizar el límite de teleobjetivo con zoom, haga clic en **Go to (Ir a)**.
4. Seleccione un valor en la lista desplegable **Focus near limit (Límite de aproximación del enfoque)** para evitar que la cámara enfoque objetos que estén demasiado cerca.

5. Haga clic en **Save (Guardar)**.

Nota

El enfoque y el zoom se pueden definir aún en **Vídeo & Audio (Vídeo y audio) > Focus & Zoom (Enfoque y zoom)**, pero la configuración no se guardará una vez que se reinicie la cámara.

Restablecimiento a la configuración predeterminada de fábrica

Importante

Hay que tener cuidado al restablecer la configuración predeterminada de fábrica. Todos los valores, incluida la dirección IP, se restablecerán a la configuración predeterminada de fábrica.

Nota

Las herramientas del software de instalación y gestión están disponibles en las páginas de asistencia técnica en www.axis.com/techsup.

Para restablecer el producto a la configuración predeterminada de fábrica:

1. Desconecte la alimentación del producto.
2. Mantenga pulsado el botón de control y vuelva a conectar la alimentación. Vea *Información general del hardware en la página 104*.
3. Mantenga pulsado el botón de control durante 15-30 segundos hasta que el indicador LED de estado parpadee en ámbar.
4. Suelte el botón de control. El proceso finaliza cuando el indicador LED de estado se pone verde. El producto se ha restablecido a la configuración predeterminada de fábrica. Si no hay ningún servidor DHCP disponible en la red, la dirección IP predeterminada es 192.168.0.90.
5. Utilice las herramientas del software de instalación y gestión para asignar una dirección IP, establecer la contraseña y acceder a la transmisión de vídeo.

También es posible restablecer los parámetros a los valores predeterminados de fábrica mediante la interfaz web. Vaya a **Setup > System Options > Maintenance (Configuración > Opciones del sistema > Mantenimiento)** y haga clic en **Default (Predeterminado)**.

Más información

- Para consultar la versión más reciente de este documento, vaya a www.axis.com
- El manual de usuario se encuentra disponible en www.axis.com.
- Para comprobar si existe un firmware actualizado disponible para su producto de red, vaya a www.axis.com/support
- Para consultar seminarios web y cursos en línea que pueden resultarle útiles, vaya a www.axis.com/academy

Información de garantía

Para obtener más detalles sobre la garantía del producto Axis y la información relacionada con ella, consulte www.axis.com/warranty/

安全情報

本製品を設置する前に、このインストールガイドをよくお読みください。インストールガイドは、後で参照できるように保管しておいてください。

危険レベル

▲危険

回避しない場合、死亡または重傷につながる危険な状態を示します。

▲警告

回避しない場合、死亡または重傷につながるおそれのある危険な状態を示します。

▲注意

回避しない場合、軽傷または中程度の怪我につながるおそれのある危険な状態を示します。

注記

回避しない場合、器物の破損につながるおそれのある状態を示します。

その他のメッセージレベル

重要

製品を正しく機能させるために不可欠な重要情報を示します。

注意

製品を最大限に活用するために役立つ有用な情報を示します。

安全手順

注記

- 本製品は、お使いになる地域の法律や規制に準拠して使用してください。
- 本製品は乾燥した換気のよい環境に保管してください。
- 本製品に衝撃または強い圧力を加えないでください。
- 本製品を不安定なブラケット、表面、または壁に設置しないでください。
- 本製品を設置するには、適切な工具のみを使用してください。電動工具を使用して過剰な力をかけると、製品が損傷することがあります。
- 化学薬品、腐食剤、噴霧式クリーナーは使用しないでください。
- 清掃には、きれいな水に浸した清潔な布を使用してください。
- 製品の技術仕様に準拠したアクセサリのみを使用してください。これらのアクセサリは、Axisまたはサードパーティから入手できます。
- Axisが提供または推奨する交換部品のみを使用してください。
- 製品を自分で修理しないでください。修理については、Axisサポートまたは販売代理店にお問い合わせください。

輸送

注記

- 本製品を運搬する際は、製品が損傷しないよう、元の梱包か同等の梱包を使用してください。

バッテリー

本製品は、内部リアルタイムクロック (RTC) 用電源として、3.0 V CR2032 リチウムバッテリーを使用します。このバッテリーは、通常条件下で最低5年間使用できます。

バッテリーが低電力状態になると、内部リアルタイムクロック (RTC) の動作に影響し、電源を入れるたびにRTCがリセットされます。バッテリーの交換が必要になると、製品のサーバーレポートにログメッセージが表示されます。サーバーレポートの詳細については、製品の設定ページを参照するか、Axisサポートまでお問い合わせください。

必要な場合以外はバッテリーを交換しないでください。バッテリーの交換が必要な場合は、Axisサポート (www.axis.com/techsup) までご連絡ください。

リチウムコイン型3.0V電池は、1,2-ジメトキシエタン (エチレングリコールジメチルエーテル (EGDME)、CAS番号110-71-4) を含有しています。

警告

- バッテリーは、正しく交換しないと爆発する危険があります。

- 交換用バッテリーとしては、同一品またはAxisが推奨するバッテリーのみを使用してください。
- 使用済みバッテリーは、地域の規制またはバッテリーメーカーの指示に従って廃棄してください。

ドームカバー

注記

- 画質低下の原因となるので、ドームカバーに傷や指紋を付けたり、損傷しないように注意してください。可能であれば、設置が完了するまでドームカバーに保護プラスチックを付けたままにしてください。
- 肉眼で見ても汚れがない場合は、ドームカバーを掃除しないでください。また、絶対に表面を磨かないでください。過度な清掃により、表面が破損することがあります。
- ドームカバーの通常のクリーニングには、磨耗防止タイプの無溶媒の中性石鹸またはきれいな水で薄めた洗剤と、柔らかい清潔な布を使用することをお勧めします。洗浄後、きれいなぬるま湯でよくすすいでください。水滴の跡が付かないよう、清潔な柔らかい布で拭いて乾かしてください。
- 強力な洗剤、ガソリン、ベンジン、アセトンなどは絶対に使用しないでください。また直射日光が当たる場所や気温が上昇する場所での、ドームカバーの清掃は避けてください。

インストールガイドについて

このインストールガイドでは、AXIS Q3504-VE, AXIS Q3505-VE Mk II固定ドームネットワークカメラをお使いのネットワークにインストールする手順について説明します。製品の使用の詳細については、www.axis.comで入手できるユーザーズマニュアルを参照してください

設置手順

1. パッケージの内容、ツールなど、設置に必要な物がそろっているかを確認します。127ページを参照してください。
2. ハードウェアの概要を確認します。128ページを参照してください。
3. 仕様を確認します。133ページを参照してください。
4. ハードウェアを設置します。136ページを参照してください。
5. 製品にアクセスします。142ページを参照してください。

パッケージの内容

- AXIS Q3504-VE, AXIS Q3505-VE Mk II固定ドームネットワークカメラ
- Resistorx®L型レンチTR20
- I/Oコネクタ
- 予備のケーブルガスカート
 - ケーブルガスカートM20、5mm (ケーブル直径5~10mm用)
 - ケーブルガスカートM20、3mm (ケーブル直径5~5mm用)
- ウェザーシールド
- AXISコンジットアダプターU型30 mm A
- RJ45用取付ツール
- 印刷物
 - インストールガイド (本書)
 - ドリルテンプレート (×2)
 - 予備のシリアル番号ラベル (2枚)
 - AVHS認証キー

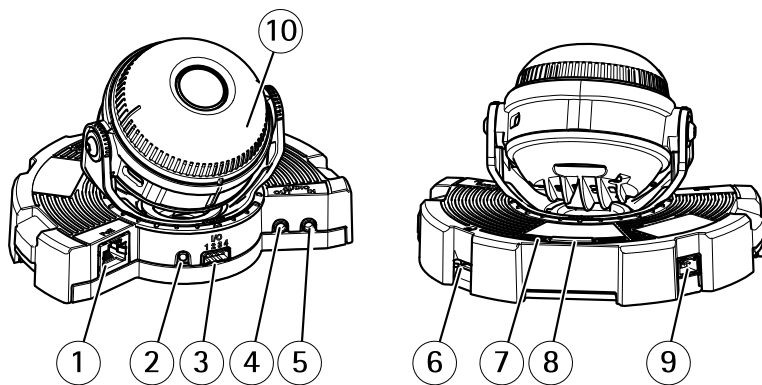
オプションアクセサリ

本製品で利用可能なすべてのアクセサリについては、www.axis.comを参照してください

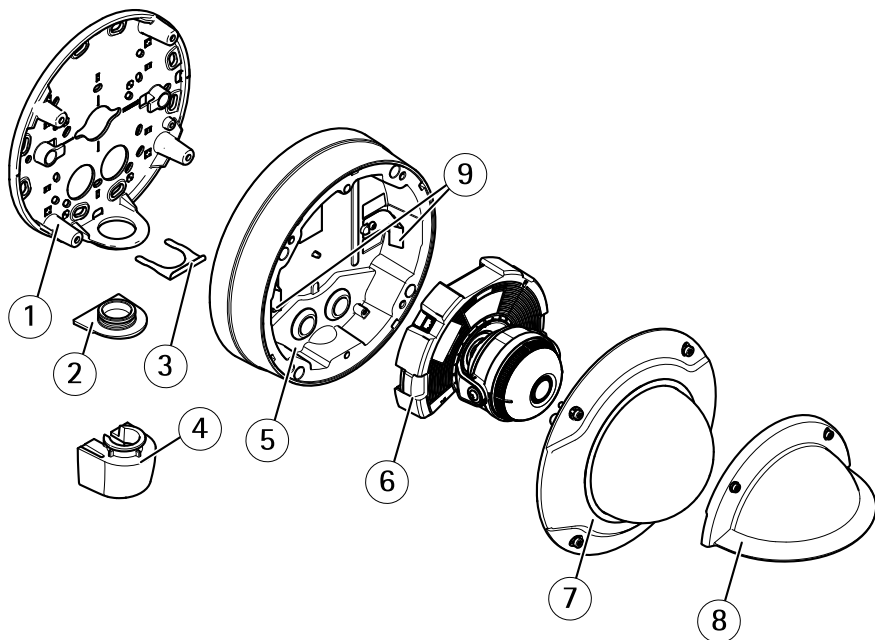
ハードウェアの概要

注意

3~9 mmのレンズ: クリーニング時にレンズを強く押しすぎると、レンズが後退する場合があります。カメラの稼働中にこの状況になった場合は、[Calibrate] (校正)をクリックして光学部品の再校正を行う必要があります。
[Server Maintenance] (サーバーの保守) Webページ ([System Options] (システムオプション) > [Maintenance] (保守)) から選択します。



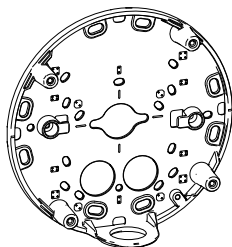
- 1 ネットワークコネクタ
- 2 コントロールボタン
- 3 I/Oコネクタ
- 4 音声出力
- 5 音声入力
- 6 SDカードスロット
- 7 ステータスLED
- 8 機能ボタン
- 9 電源アクセサリ用AC/DCコネクタ
- 10 ヒーター **注意!** ヒーターは高温になることがあります。







- 1 取り付けブラケット
- 2 取り付けブラケットのサイドホールを覆うサイドリッド
- 3 ロッキングクリップ
- 4 コンジットアダプター
- 5 ユニットケーシング
- 6 カメラユニット
- 7 ドームカバー
- 8 ウェザーシールド
- 9 スプリング

取り付けブラケット

取り付けブラケットは、4種類のパターンで取り付けすることができます。取り付けパターンは、以下の取り付けオプションの基準に従って設定されています。



-  : 4インチの正方形ボックス
-  : 標準サイズの米国ダブルギャングジャンクションボックス
-  : 4インチの八角形ボックス
-  : 標準サイズの米国シングルギャングジャンクションボックス

LEDインジケータ

注意

- ステータスLEDは、イベントの発生時に点滅させることができます。
- ステータスLEDを点滅させ、本製品を識別できるように設定することができます。設定は、**[Setup - System Options - Maintenance] (設定 - システムオプション - 保守)**で行います。

ステータスLED	説明
無点灯	接続時と正常動作時は、無点灯のままです。
緑	起動後正常に動作する場合、10秒間、緑色に点灯します。
黄	起動時に点灯し、ファームウェアのアップグレード時には点滅します。
黄/赤	ネットワーク接続が利用できないか、失われた場合は、黄色/赤色で点滅します。

水平化アシスタントのステータスLEDとブザー信号

画像の水平化に使用する機能ボタンの詳細については、**コネクタとボタン**を参照してください。

色	ブザー	カメラの位置
緑: 点灯	連続音	水平
緑: 点滅	短い間隔	ほぼ水平
オレンジ: 点滅	中程度の間隔	水平ではない
赤: 点滅	長い間隔	かなり傾いている

コネクタとボタン

仕様と動作条件については、133ページを参照してください。

ネットワークコネクタ

RJ45イーサネットコネクタ、Power over Ethernet (PoE) 対応。

注記

本製品は、シールドネットワークケーブル (STP) を使用して接続してください。本製品は、用途に合ったケーブルを使用してネットワークに接続してください。ネットワーク装置がメーカーの指示どおりに設置されていることを確認します。法的要件については、*Electromagnetic Compatibility (EMC) 2*を参照してください。

I/Oコネクタ

外部装置を接続し、カメラに対するいたずらの警報、動体検知、イベントトリガー、タイムラプス撮影、アラーム通知などを使用することができます。I/Oコネクタは、0V DC基準点と電力 (DC出力) に加えて、以下のインターフェースを提供します。

- デジタル出力** — リレーやLEDなどの外部デバイスを接続します。接続されたデバイスは、VAPIX®アプリケーションプログラミングインターフェース (API)、[Live View] (ライブビュー) ページの出力ボタン、アクションルールを使用してアクティブにすることができます。アラームデバイスがアクティブな場合、出力がアクティブと表示されます (**System Options > Port & Devices (システムオプション > ポートとデバイス)** で表示)。
- デジタル入力** — オープンサーキットとクローズサーキットの切り替えが可能なデバイスを接続するためのアラーム入力。たとえば、PIR、ドア/窓の接触、ガラス破壊検知などです。信号を受取ると状態が変化し、入力が active になります (**System Options > Ports & Devices (システムオプション > ポートとデバイス)** で表示)。

音声コネクタ

本製品は、以下の音声コネクタを搭載しています。

AXIS Q35-VE Series

- **音声入力(ピンク)** – モノラルマイクロフォンまたはライン入力モノラル信号用3.5 mm入力。
- **音声出力(緑)** – 3.5 mm音声(ラインレベル)出力(パブリックアドレス (PA) システムまたはアンプ内蔵アクティブスピーカーに接続可能)。音声出力には、ステレオコネクタを使用する必要があります。

3.5 mm音声コネクタ(ステレオ)



	1 チップ	2 リング	3 スリーブ
音声入力	バランス: 「ホット」信号 マイクロフォン/ライン入力 非バランス: マイクロフォン/ライン入力	バランス: 「コールド」信号 マイクロフォン/ライン入力 非バランス: 未使用	グラウンド
音声出力	ライン出力(モノラル)		グラウンド

SDカードスロット

注記

- SDカード損傷の危険があります。SDカードの挿入と取り外しの際には、鋭利な工具や金属性の物を使用したり、過剰な力をかけないでください。カードの挿入や取り外しは指で行ってください。
- データ損失や録画データ破損の危険があります。本製品の稼働中はSDカードを取り外さないでください。取り外しの前に電源を切るか、Axis製品のWebページからSDカードをマウント解除してください。

本製品は、microSD/microSDHC/microSDXCカードに対応しています(別売)。

推奨するSDカードについては、www.axis.comを参照してください

コントロールボタン

コントロールボタンの位置については、128ページの、ハードウェアの概要を参照してください。

コントロールボタンは、以下の用途で使用します。

- 製品を工場出荷時の設定にリセットする。144ページを参照してください。

- AXIS Video Hosting SystemサービスまたはAXIS Internet Dynamic DNSサービスに接続する。これらのサービスの詳細については、ユーザーズマニュアルを参照してください。

機能ボタン

機能ボタンには、以下のような機能があります。

- **水平化アシスタント** – 画像を水平にするのに役立つ機能です。ボタンを約2秒間押し続けると水平化アシスタントが起動し、もう一度押すと停止します。ステータスLED (130ページ参照) とブザー信号を使用して、画像の水平化を行います。画像が水平になると、ブザーが連続音になります。
- **ステータスLED**を表示する – 機能ボタンを1回押すとステータスLEDがオンになり、もう一回押すとオフになります。10秒経過すると、ステータスLEDは自動的にオフになります。

マルチケーブル (別売)

外部装置を本製品に接続するためのマルチケーブルは、Axisの販売代理店から購入できます。このケーブルには、以下のコネクタがあります。

I/Oコネクタ - 134ページの、コネクタを参照してください。

音声コネクタ - 134ページの、コネクタを参照してください。

電源コネクタ - ACおよびDC電源のコネクタ。AXIS T8051電力コンバータAC/DCをDCワイヤー (非付属品) に接続します。

ワイヤー	仕様
赤	+ DCまたはAC
黒	- DCまたはAC

仕様

動作条件

製品	等級	温度	湿度
AXIS Q3504-VE AXIS Q3505-VE Mk II	IEC 60529 IP66 およびIP67 NEMA 250 4X規格準拠	-50 ° C ~ 60 ° C	10 ~ 100%RH (結露可)

AXIS Q35-VE Series

消費電力

製品	PoE	DC	AC
AXIS Q3504-VE AXIS Q3505-VE Mk II	IEEE 802.3af/802.3at Type 1、Class 3、最大11.7W	8~28 V DC、最 大16.5 W	20~24 V AC、最大 24.5 VA

コネクタ

I/Oコネクタ

機能	ピン	備考	仕様
0 V DC (-)	1		0 V DC
DC出力	2	補助装置の電源供給に使用できます。 注: このピンは、電源出力としてのみ 使用できます。	12 V DC 最大負荷 = 50 mA
設定可能 (入力また は出力)	3-4	デジタル入力 - 動作させるにはピン1 に接続し、動作させない場合はフロ ート状態 (未接続) のままにします。	0~30 V DC (最大)
		デジタル出力 - 動作させるにはピン 1に接続し、動作させない場合はフ ロート状態 (未接続) にします。誘導 負荷 (例: リレー) とともに使用する場 合は、過渡電圧から保護するため、ダ イオードを負荷と並列に接続する必要 があります。	0~30 V DC (最大)、 オープンドレ イン、100 mA

接続例の図については、135ページの、I/Oコネクタを参照してください。

音声コネクタ

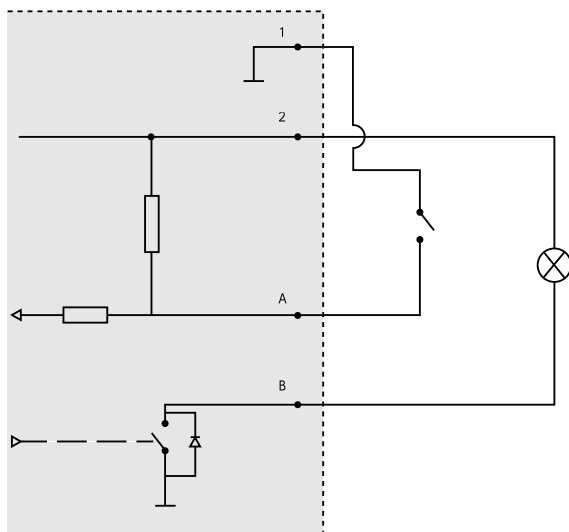
3.5 mm音声コネク
タ (ステレオ)



	1チップ	2リング	3スリーブ
音声入力	バランス: 「ホット」 信号 マイクロフォン/ライン入力 非バランス: マイクロ フォン/ライン入力	バランス: 「コールド」 信号 マイクロフォン/ラ イン入力 非バランス: 未使用	グラウンド
音声出力	ライン出力 (モノラル)		グラウンド

接続図

I/Oコネクタ



- 1 0VDC (-)
- 2 DC出力12V、最大50mA
- A I/O (入力として設定)
- B I/O (出力として設定)

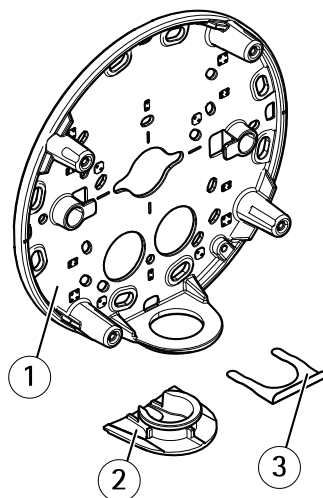
ハードウェアの設置

ケーブルの配線

- ケーブルを壁に沿って配線する場合、136ページを参照してください。
- ケーブルを壁の中を通して配線する場合、137ページを参照してください。
- パイプを取付ブラケットに取り付ける場合、138ページを参照してください。
- コンジットアダプターを使用してケーブルを壁に沿って配線している場合、コンジットアダプターに付属のインストールガイドを参照してください。

壁に沿ったケーブル配線

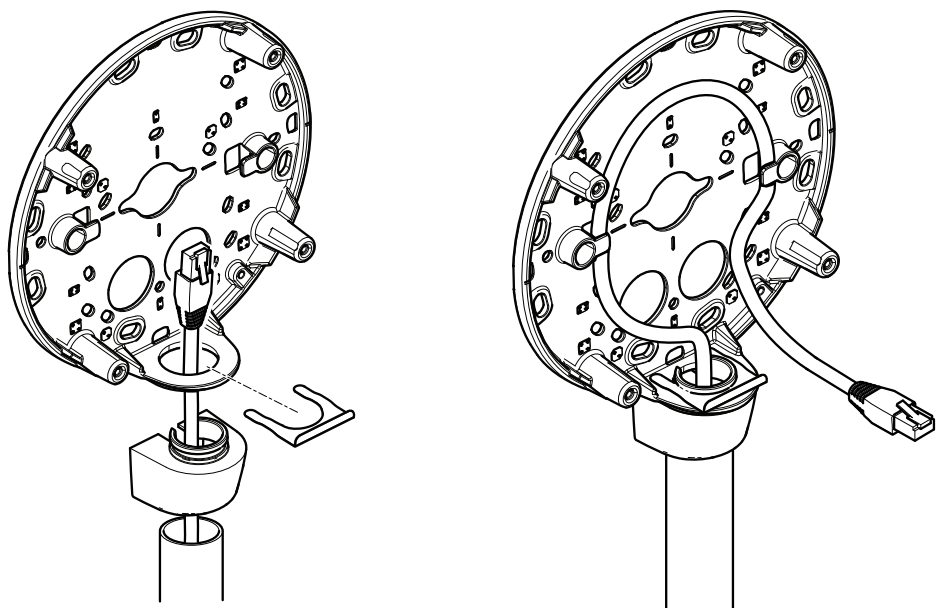
1. ドリルテンプレートを使用して、取り付けブラケット用の穴を4つ開けます。
2. ロッキングクリップとサイドリッドを外します。



- 1 取り付けブラケット
- 2 サイドリッド
- 3 ロッキングクリップ

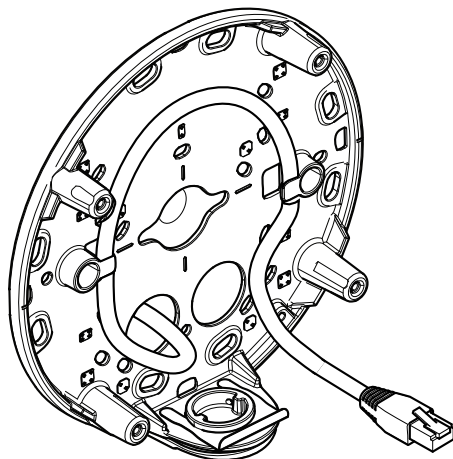
3. 適したコンジットをロッキングクリップで取り付けて、コンジットを固定します。
4. 適切なねじで取り付けブラケットを壁に取り付けます。
5. コンジットにケーブルを通します。

6. 後でさらにケーブル長が必要になる場合に備えて、取り付けブラケットの溝に沿ってネットワークケーブルを巻き付けます。



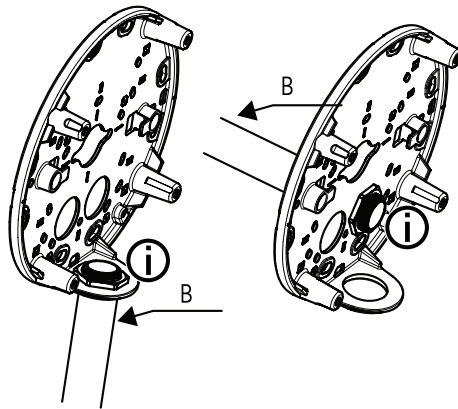
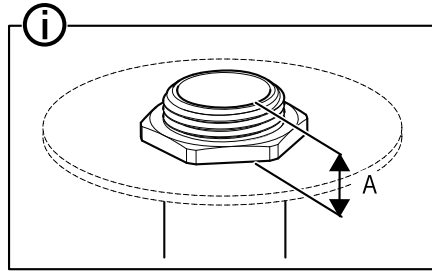
壁の中を通したケーブル配線

1. ドリルテンプレートを使用して、取り付けブラケット用の穴を4つと、各ケーブルごとに1つの穴を開けます。
2. 適切なねじで取り付けブラケットを壁に取り付けます。
3. ネットワークケーブルと、使用する場合はマルチコネクタケーブルを壁と取り付けブラケットに通します。
4. 後でさらにケーブル長が必要になる場合に備えて、取り付けブラケットの溝に沿ってネットワークケーブルを巻き付けます。



パイプを取付ブラケットに取り付ける方法

1. 取り付けプレートを壁へ取り付けます。
2. ロックタイトでロックナット付きパイプを、パイプのナットからねじまでの部分に取り付けます。距離Aが制限内であることを確認します。



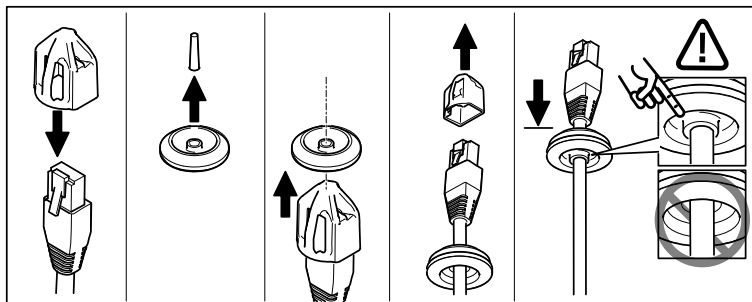
A 最大8mm
B 3/4"パイプ

ケーブルの接続と取り付けブラケットへのユニットケーシングの取り付け

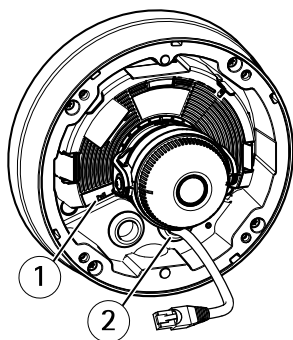
1. SDカードをカメラユニットに挿入します (オプション)。
2. 付属のコネクタガードを使用して、ユニットケーシングの孔の1つに、黒いケーブルガasketを通してネットワークケーブルを押し込みます。
3. ネットワークケーブルを少し手前に引き、ケーブルガasketをケーブルにぴったりと合わせます。

注記

ケーブルを引いて手前に戻さないと、浸水して製品が損傷するおそれがあります。



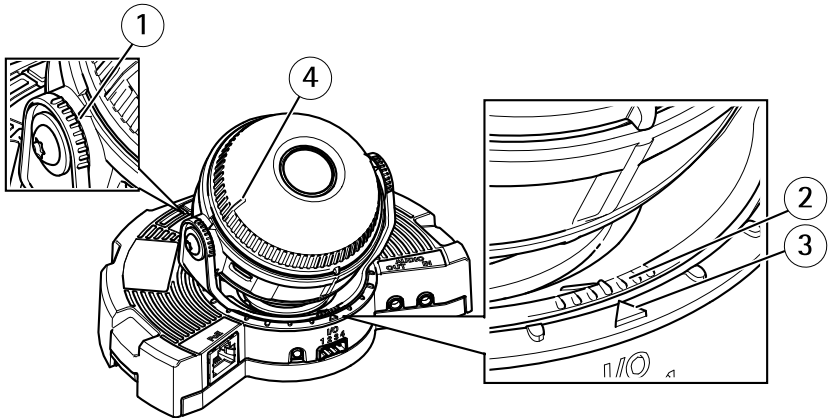
4. カメラユニットのネットワークコネクタから最も遠いケーブルガasketにネットワークケーブルを通します。



- 1 ネットワークコネクタ
- 2 ケーブルガasket

5. ユニットケーシングを取付ブラケットに取り付けるには、Resistorx®レンチTR20を使用して4本のいたづら防止ネジを締めます。
6. ケーブルをカメラユニットに接続します。
7. ユニットケーシング内のスプリングを横に引き、カメラユニットをユニットケーシングに取り付けます。

カメラアングルの調整

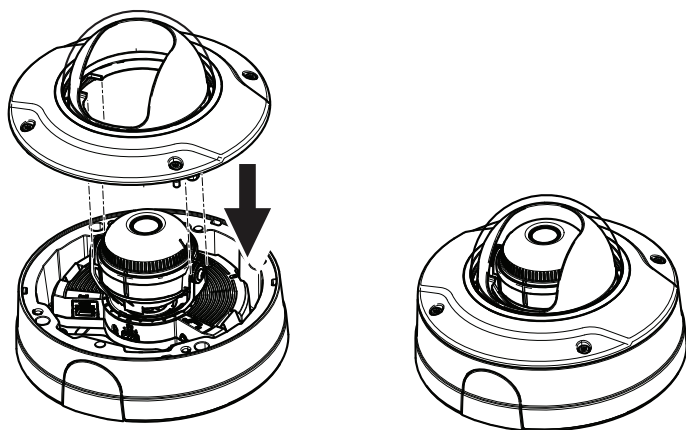


- 1 光学部品ホルダー上のライン。チルト角度 (10° ずつ) を示します。
- 2 光学部品マウント上の短いライン。パンの角度 (3° ずつ) を示します。
- 3 光学部品マウント上のライン。パンの角度 (15° ずつ) を示します。
- 4 レンズカバー上のライン。カメラを水平にするのに役立ちます。

1. カメラのパン、チルト、回転を行い、監視領域をもれなく監視できるかを確認します。パンは 360° 、チルトは 90° まで可能です。
2. パンと回転を行い、適切な画像が得られるよう、レンズを調整します。
3. レンズカバーの2本のラインを使用して、カメラが水平かどうかを確認します。水平化支援機能を起動するには、機能ボタンを押します。133ページの、機能ボタンを参照してください。

ドームカバーの取り付け

1. ドームカバーをユニットケーシングに取り付ける際に、ゴム製ガスケットがドームカバーにしっかりと装着されていることを確認します。
2. 黒いシールド内のみぞを、カメラの光学部品ホルダーでどちらかの側のネジにはめ込みます。
3. ウェザーシールドを使用している場合、ウェザーシールドをドームカバーに取り付けます。ウェザーシールドに付属の2本のネジを使用します。
4. Resistor[®]レンチTR20を使用して、ドームカバーをユニットケーシングに取り付けます。
5. ドームカバーから保護フィルムを取り除きます。



製品へのアクセス

ネットワーク上でAxis製品を検索したり、Windows®でそれにIPアドレスを割り当てるには、AXIS IP UtilityまたはAXIS Camera Managementの使用をお勧めします。いずれのアプリケーションも無料で、www.axis.com/techsupからダウンロードできます

本製品は、ほとんどのオペレーティングシステムとブラウザでご利用いただけます。推奨ブラウザは以下のとおりです。

- Internet Explorer® (Windows®の場合)
- Safari® (OS X®の場合)
- Chrome™またはFirefox® (その他のオペレーティングシステムの場合)

製品の使用の詳細については、Axisのホームページ (www.axis.com) でユーザーズマニュアルを参照してください

フォーカスとズームの設定

この指示が有効なのは、カメラ起動時に **[Optical zoom for installation]** (設置用光学ズーム) を選択した場合です。

1. **[Video & Audio]** (ビデオと音声) > **[Focus & Zoom]** (フォーカスとズーム) に移動します。
2. **[Basic]** (基本設定) タブで、スライダーを使用してズームレベルを設定します。
<または>のボタンをクリックすると、ズーム位置が1段階移動します。
<<または>>のボタンをクリックすると、ズーム位置が何段階か移動します。

注意

オートフォーカスを実行するときは、カメラの前で動きが発生しないようにしてください。

3. **[Perform autofocus] (オートフォーカスを実行)** をクリックします。
4. オートフォーカスに満足できない場合は、**[Advanced] (高度な設定)** タブに移動します。

[Advanced] (高度な設定) タブでは、以下の手順でフォーカスを手動で調整することができます。

1. **[Open iris] (開く)** をクリックして、絞りを最大まで開きます。被写界深度が最小になり、焦点合わせに最適な条件になります。
2. フォーカスは、**フォーカスウィンドウ** で設定します。マウスを使用して、フォーカスウィンドウの移動やサイズの変更を行います。
3. **フォーカス位置** バーをクリックして、目的の位置に焦点を合わせます。
 <または>のボタンをクリックすると、フォーカス位置が1段階移動します。
 <<または>>のボタンをクリックすると、フォーカス位置が何段階か移動します。
4. 調整が終わったら、**[Enable iris] (絞り有効)** をクリックして絞りを有効にします。

フォーカスとズームのリミットの設定

この指示が有効なのは、カメラ起動時に **[Optical zoom for monitoring] (監視用光学ズーム)** を選択した場合です。

新しいプリセットポジションのフォーカスとズームは、以下の手順で設定します。

1. **[PTZ] > [Preset Positions] (プリセットポジション)** に移動し、カメラ画像内の目的の領域に合わせてフォーカスとズームを設定します。
2. **[Current position] (現在のポジション)** フィールドにプリセットポジションの名前を入力し、**[Use current position as Home] (現在のポジションをホームとして使用する)** を選択します。
3. **[Add] (追加)** をクリックすると、現在のポジションがプリセットポジションとして追加されます。
4. **[Available positions] (利用可能なポジション)** ドロップダウンリストから、プリセットポジションを選択します。
5. **[Go to] (移動)** をクリックして、カメラをプリセットポジションに設定します。
6. **[Save] (保存)** をクリックします。

フォーカスとズームのリミットは、以下の手順で設定します。

1. **[Video & Audio]** (ビデオと音声) > **[Focus & Zoom]** (フォーカスとズーム) に移動します。
2. **[Zoom tele limit]** (望遠側リミット) のドロップダウンリストで値を選択し、カメラの最大ズーム範囲を制限します。
デジタルズームレベルにはDという文字が付きます。
3. 最大ズーム倍率をプレビューするには、**[Go to] (移動)** をクリックします。
4. 近すぎる被写体に焦点が合わないようするには、**[Focus near limit]** (フォーカス近距離側リミット) のドロップダウンリストから値を選択します。
5. **[Save]** (保存) をクリックします。

注意

[Video & Audio] (ビデオと音声) > **[Focus & Zoom]** (フォーカスとズーム) でもフォーカスとズームを設定できますが、カメラの再起動後は設定は保存されていません。

工場出荷時の設定にリセットする

重要

工場出荷時の設定へのリセットは慎重に行ってください。工場出荷時の設定へのリセットを行うと、IPアドレスを含むすべての設定が工場出荷時の値にリセットされます。

注意

www.axis.com/techsup のサポートページに、インストール・管理ソフトウェアツールが用意されています。

本製品を工場出荷時の設定にリセットするには、以下の手順を実行します。

1. 本製品の電源を切ります。
2. コントロールボタンを押し続けながら電源を再投入します。「128ページの、ハードウェアの概要」を参照してください。
3. ステータスLEDインジケーターが黄色に点滅するまで、コントロールボタンを15～30秒間押し続けます。
4. コントロールボタンを離します。プロセスが完了すると、ステータスLEDが緑色に変わります。これで本製品は工場出荷時の設定にリセットされました。ネットワーク上に利用可能なDHCPサーバーがない場合、デフォルトのIPアドレスは192.168.0.90になります。
5. インストール・管理ソフトウェアツールを使用して、IPアドレスの割り当て、パスワードの設定、ビデオストリームへのアクセスを行います。

Webインターフェースを使用して、各種パラメーターを工場出荷時の設定に戻すこともできます。**[Setup - System Options - Maintenance]** (設定 - システムオプション - 保守) を選択し、**[Default]** (デフォルト) をクリックします。

関連情報

- 本書の最新バージョンについては、www.axis.comにアクセスしてください。
- ユーザーズマニュアルは、www.axis.comで入手できます。
- ご使用の製品の新しいファームウェアがリリースされていないかを確認するには、www.axis.com/supportにアクセスしてください。
- 役に立つオンライントレーニングおよびWebセミナーをご用意しております。www.axis.com/academyをご覧ください。

保証情報

Axisの製品保証と関連情報については、www.axis.com/warrantyをご覧ください

安全信息

安装该产品前请仔细阅读该安装指南。请保管好安装指南以供以后查阅。

危险等级

▲危险

表示有危险的情形，如果不能避免，将导致死亡或严重的个人伤害。

▲警告

表示有危险的情形，如果不能避免，将导致死亡或严重的个人伤害。

▲小心

表示有危险的情形，如果不能避免，将导致轻微或中度的个人伤害。

注意

表示一种情形，如果不能避免，将导致对财产的损坏。

其它消息等级

重要

表示对于产品正常运行必不可少的重要信息。

备注

表示有助于充分利用产品的有用信息。

安全说明

注意

- 使用该安讯士产品必须符合当地法律法规要求。
- 安讯士产品应存放在干燥通风的环境中。
- 应避免对安讯士产品造成冲撞或重压。
- 不得将本产品安装于不稳固的支架、表面或墙面上。
- 安装安讯士产品时，请使用适用工具。使用电动工具时过度用力可能对产品造成损坏。
- 请勿使用化学制剂、腐蚀性制剂或气雾性清洁剂。
- 使用浸有净水的干净抹布进行清洁。
- 所用附件必须符合该产品的技术规格要求。可由安讯士或第三方供应商提供。
- 必须使用安讯士提供或推荐的零件。
- 请勿试图自己修理该产品。维修事务请联系安讯士支持人员或您的安讯士经销商。

运输

注意

- 安讯士产品运输途中，应使用其原包装或等效包装，以防对产品造成损坏。

电池

该安讯士产品使用一块 3.0 V CR2032 锂电池为内部实时时钟（RTC）供电。正常情况下，该电池可至少使用 5 年。

电池电量不足将影响 RTC 运行，导致其在每次开机时重置。当电池需要更换时，产品的服务器报告中会显示日志消息。关于服务器报告的更多信息，请参考产品的设置页面或联系安讯士支持人员。

如非需要请勿更换电池！电池必须更换时，请联系安讯士支持人员寻求帮助，网址 www.axis.com/techsup。

3.0 V 锂纽扣电池包含 1,2-二甲氧基乙烷；乙二醇二甲醚 (EGDME)，CAS 号为 110-71-4。

警告

- 电池更换不当将引发爆炸危险。
- 请务必使用相同或安讯士推荐的电池进行更换。
- 请按照当地法规或电池制造商的说明来处理废旧电池。

球型罩

注意

- 切勿刮伤或损坏球型罩或在球型罩上留下指纹，因为这样会降低图像质量。请尽可能地将防护塑料保留在球型罩上，直至安装完成。
- 不要清洗外表看起来干净的球型罩，不要磨光表面。过度的清洗可能会损坏表面。
- 对球型罩进行一般清洗时，建议使用非磨蚀性且不含溶剂的中性肥皂或与净水混合的洗涤剂以及柔软、干净的抹布。最好使用纯净的温水进行清洗。使用柔软、干净的抹布擦干，防止水斑。
- 切勿使用烈性洗涤剂、汽油、苯或丙酮等，并避免在阳光直射下或高温环境中清洗球型罩。

关于安装指南

本安装指南说明了如何在网络上安装 AXIS Q3504-VE 固定半球网络摄像机或 AXIS Q3505-VE Mk II 固定半球网络摄像机。有关使用该产品的其他信息，请参见用户手册，网址：www.axis.com

安装步骤

1. 确保安装必需的包装内容、工具和其它材料井然有序。参见 [第151页](#)。
2. 研究硬件概述。参见 [第152页](#)。
3. 研究规格。参见 [第157页](#)。
4. 安装硬件。参见 [第159页](#)。
5. 访问产品。参见 [第166页](#)。

包装内容

- AXIS Q3504-VE 固定半球网络摄像机或 AXIS Q3505-VE Mk II 固定半球网络摄像机
- Resistorx® 六角匙 TR20
- I/O 接口
- 额外线缆垫圈
 - 线缆垫圈 M20 5 毫米（线缆直径为 5-10 毫米）
 - 线缆垫圈 M20 3 毫米（线缆直径为 3-5 毫米）
- 风雨罩
- 安讯士导线适配器，U 型 30 毫米 A
- RJ45 安装工具
- 印刷资料
 - 安装指南（本文档）
 - 钻孔样板 (2x)
 - 随附的序列号标签 (2x)
 - AVHS 身份认证密钥

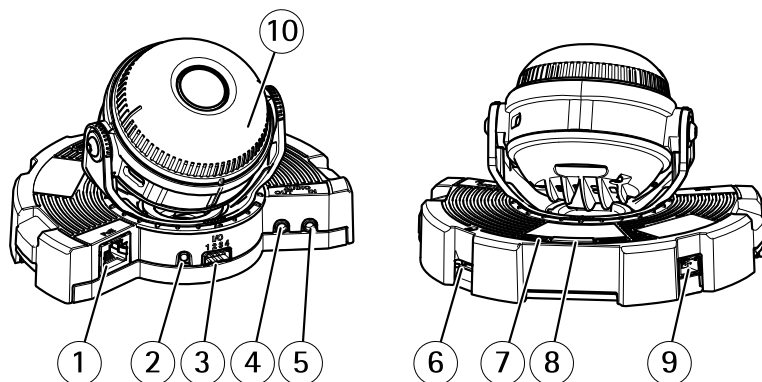
可选附件

如欲了解该产品的所有可用附件，请访问 www.axis.com

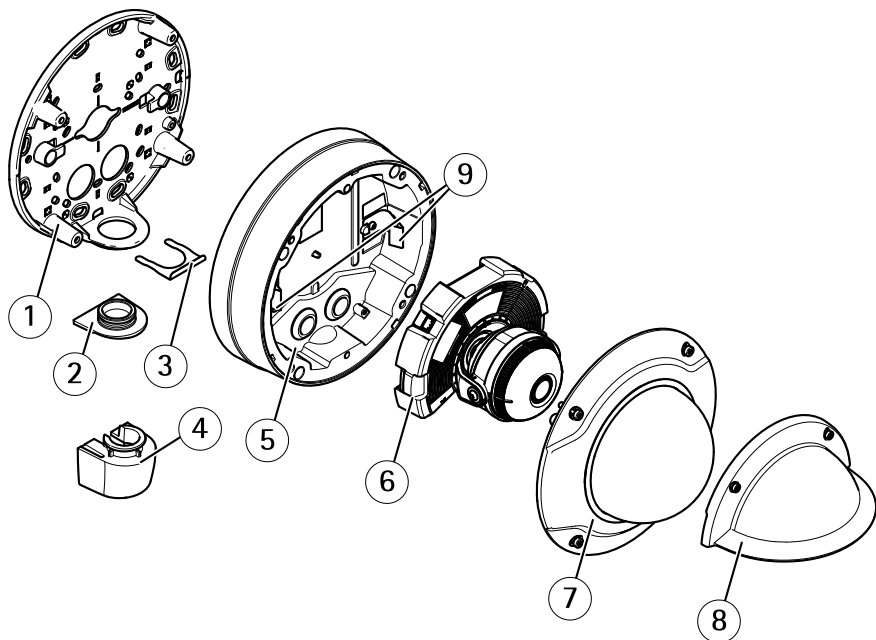
硬件概览

备注

3-9 毫米镜头：清洁时按压镜头过猛可能导致镜头向下移动。如果摄像机工作时发生这种情况，请重新校准该光学元件，即单击 **校准** —— 位于 **服务器维护** 网页 **系统选项** > **维护**。



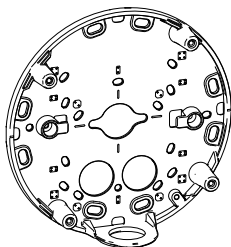
- 1 网络接口
- 2 控制按钮
- 3 I/O 接口
- 4 音频输出
- 5 音频输入
- 6 SD 卡插槽
- 7 LED 状态指示灯
- 8 功能按钮
- 9 用于电源附件的 AC/DC 接口
- 10 加热器 **小心!** 加热器可能发热。







- 1 安装支架
- 2 可覆盖安装支架侧孔的侧盖
- 3 锁定夹
- 4 导线适配器
- 5 单元外壳
- 6 摄像机单元
- 7 球型罩
- 8 风雨罩
- 9 弹簧

安装支架

安装支架具有 4 种安装模式。这些安装模式满足以下安装选项的标准：



-  : 4 英寸方盒
-  : 标准大小的美国双轴接线盒 (US double gang junction box)
-  : 4 英寸八角盒
-  : 标准大小的美国单轴接线盒 (US single gang junction box)

LED 指示灯

备注

- LED 状态指示灯可被配置为在事件激活状态下闪烁。
- LED 状态指示灯可被配置为识别装置时闪烁。访问 **设置 > 系统选项 > 维护**。

LED 状态指示灯	指示
不亮	连接且工作正常。
绿色	启动后绿灯常亮 10 秒表示工作正常。
淡黄色	启动时常亮。在固件升级过程中闪烁。
淡黄色/红色	网络连接不可用或丢失时闪淡黄色/红色。

使用调平助手时的 LED 状态指示灯运行状态和蜂鸣器信号

有关用于调平摄像机的功能按钮的信息，请参见 [接口和按钮](#)。

色彩	蜂鸣器	摄像机位置
绿灯常亮	持续嘟嘟响	水平
绿灯闪烁	快速间隔	几乎水平

色彩	蜂鸣器	摄像机位置
橙色灯闪烁	中速间隔	不水平
红灯闪烁	慢速间隔	远未水平

接口和按钮

规范和工作条件方面的信息请参见第157页。

网络接口

RJ45 以太网接口，支持以太网供电 (PoE)。

注意

产品应当使用屏蔽网线 (STP) 进行连接。将产品连接至网络的所有线缆必须使用专用线缆。确保网络设备按照制造商的说明进行安装。有关监管要求的信息，请参见 *Electromagnetic Compatibility (EMC) 2*。

I/O 接口

与外部设备联合使用，例如：用于面向防篡改告警、移动探测、事件触发、延时录像及报警通知的应用。除了 0V 直流参考点和电源（直流输出），I/O 接口还提供以下接口：

- **数字输出**—用于连接外部设备，如继电器和 LED 灯。已连接设备可通过 VAPIX® 应用编程接口 (API)、Live View (实时视图) 页面上的输出按钮或 Action Rule (操作规则) 激活。当警报设备被激活后，该输出接口将显示为激活（显示在 **系统选项 > 端口和设备** 下）。
- **数字输入**—面向连接设备的报警输入，可在开放和闭合线路间切换，例如：PIR、门/窗触点以及玻璃破碎探测器等。当接收到信号时，状态发生变化，而且输入接口变成激活状态（显示在 **系统选项 > 端口和设备** 下）。

音频接口

安士士产品具有以下音频接口：

- **音频输入（粉色）**—3.5 毫米单声道麦克风输入接口，或一路单声道输入信号。
- **音频输出（绿色）**—3.5 毫米单声道音频输出（线路电平），可连接到公共广播（PA）系统或带有内置放大器的有源扬声器。必须使用立体声接口进行音频输出。

3.5 毫米音频接口
(立体声)



	1 顶端	2 环	3 套
音频输入	平衡：“热”信号麦克风/ 线路输入 不平衡：麦克风/线路输入	平衡：“冷”信号麦克风/ 线路输入 不平衡：未使用	接地
音频输出	线路输出（单声道）		接地

SD 卡插槽

注意

- SD 卡损坏的风险。插入或移除 SD 卡时，切勿使用尖锐工具、金属物体或用力过度。使用手指插入和移除卡。
- 数据丢失和录制内容损坏风险。产品运行时，请勿移除 SD 卡。在移除之前，断开电源或从安讯士产品网页中卸载 SD 卡。

该产品支持 microSD/microSDHC/microSDXC 卡（不含）。

有关 SD 卡建议的更多信息，请访问 www.axis.com

控制按钮

有关控制按钮的位置信息，请参见 *硬件概览* 在第 152 页。

控制按钮用于：

- 将产品重置为出厂默认设置。参见 第 167 页。
- 连接至安讯士视频托管系统服务或安讯士互联网动态 DNS 服务。有关这些服务的更多信息，请参见用户手册。

功能按钮

功能按钮具有多种功能：

- **作为调平助手-**，该功能可帮助确保摄像机处于水平状态。按住该按钮约 2 秒的时间，启动调平助手，再次按住停止。LED 状态指示灯（请参见 第 154 页）和蜂鸣器信号可帮助调平摄像机。蜂鸣器连续嘟嘟响时，说明摄像机处于水平状态。
- **如欲查看 LED 状态指示灯-**，请按一次该按钮，点亮 LED 状态指示灯。再次按下，关闭它们。10 秒之后 LED 指示灯将自动关闭。

多接口线缆（单独销售）

多接口线缆可通过安讯士经销商购买，用于将外部设备连接至安讯士产品。该线缆可以提供以下接头：

I/O 接口 – 参见 接口 在第157页。

音频接口 – 参见 接口 在第157页。

电源接口 – AC 和 DC 电源接口，用于连接至 AXIS T8051 电源转换器 AC/DC 至 DC（不含）线。

线	规格
红色	+ DC 或 AC
黑色	- DC 或 AC

规格

工作条件

产品	分类	温度	湿度
AXIS Q3504-VE AXIS Q3505-VE Mk II	IEC 60529 IP66 和 IP67 NEMA 250 4X 级防护	-50 ° C 至 60 ° C (-58 ° F 至 140 ° F)	10-100% 相对湿度 (冷凝)

功耗

产品	PoE	DC	AC
AXIS Q3504-VE AXIS Q3505-VE Mk II	符合 IEEE 802.3af/802.3at 1 型 3 类标准， 最高功率 11.7 W	8-28 V DC，最高 功率 16.5 W	20-24 V AC，最高 功率 24.5 VA

接口

I/O 接口

功能	引脚	注释	规格
0 V DC (-)	1		0 V DC
DC 输出	2	可用于为辅助设备供电。 注：此针仅可用作电源输出。	12 V DC 最大负载 = 50 mA

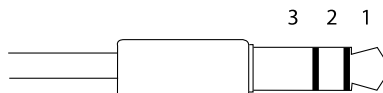
AXIS Q35-VE Series

可配置（输入或输出）	3-4	数字输入- 连接到针脚 1 以启用或断开连接（未连接）以停用。	0 至最大 30 V DC
		数字输出 - 启用后连接至针脚 1，停用后断开连接（未连接）。如果与继电器等电感负载一起使用，必须将二极管与负载并联，以防止电压瞬变。	0 至最大 30 V DC，开漏，100 mA

如欲获取示例图表，请参见 *I/O 接口* 在第159页。

音频接口

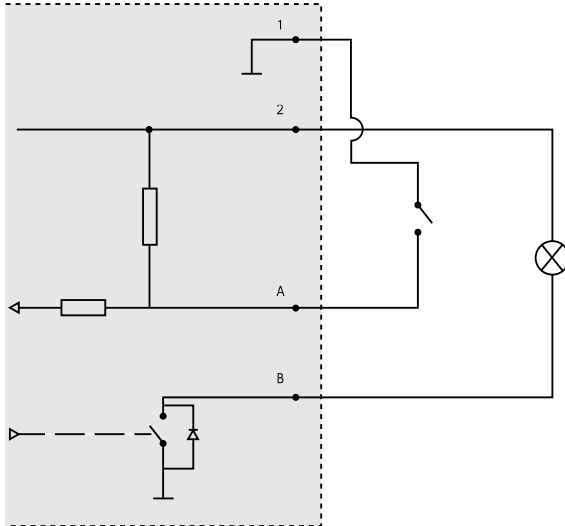
3.5 毫米音频接口
(立体声)



	1 顶端	2 环	3 套
音频输入	平衡：“热”信号麦克风/线路输入 不平衡：麦克风/线路输入	平衡：“冷”信号麦克风/线路输入 不平衡：未使用	接地
音频输出	线路输出（单声道）		接地

连接图

I/O 接口



- 1 0 V DC (-)
- 2 DC 输出 12 V, 最大 50 mA
- A I/O 配置为输入
- B I/O 配置为输出

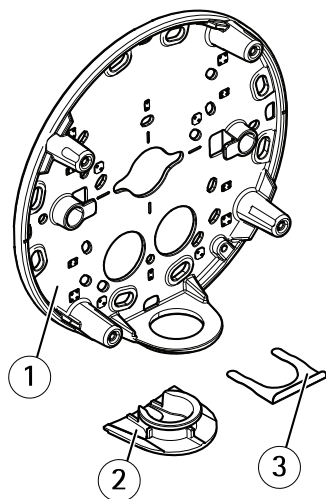
安装硬件

布线

- 如果您想要沿墙壁布线，请参见第159页。
- 如果您想要穿过墙壁布线，请参见第161页。
- 将管道安装至安装支架请参见第162页
- 使用导管转接器沿墙壁布线请参见导管适配器随附的安装指南。

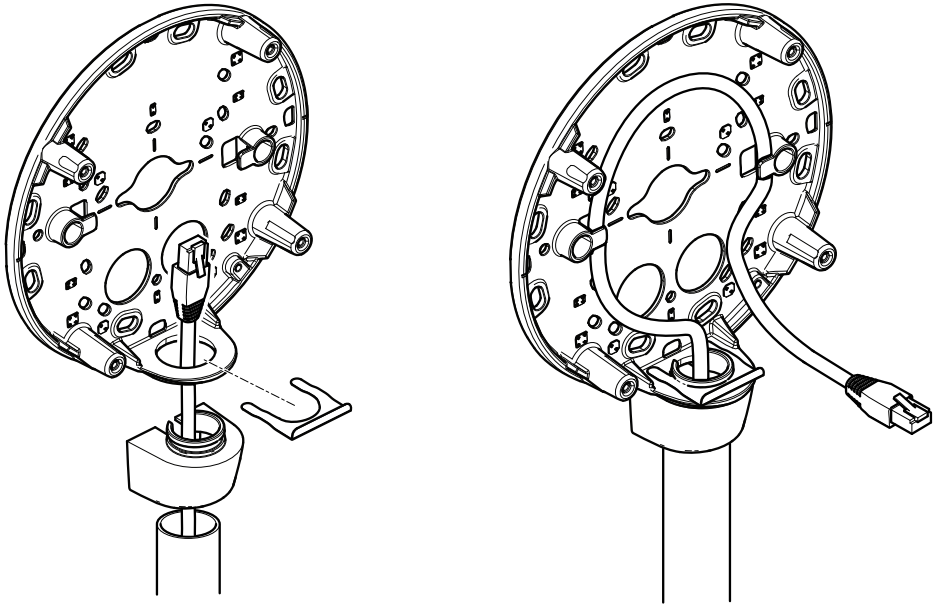
沿墙壁布线

1. 使用钻孔样板为安装支架钻 4 个孔。
2. 移除锁定夹和侧盖。



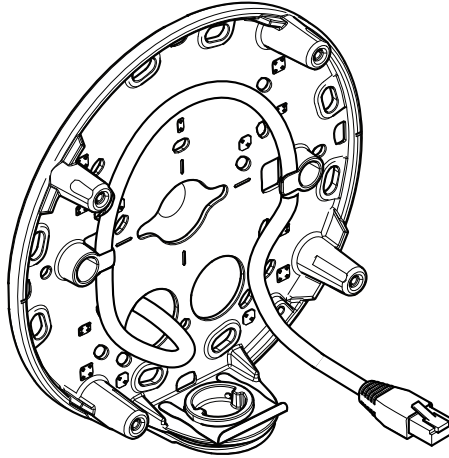
- 1 安装支架
- 2 侧盖
- 3 锁定夹

3. 使用锁定夹安装相应的导管以使其稳固。
4. 使用适当的螺丝将安装支架安装至墙壁。
5. 将线缆穿过导管。
6. 沿安装支架上的凹槽盘绕网线，并预留额外线缆长度，以便需要时使用。



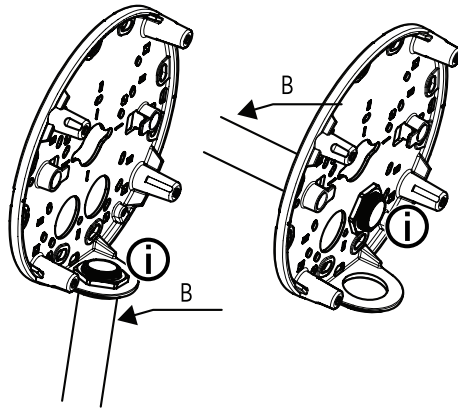
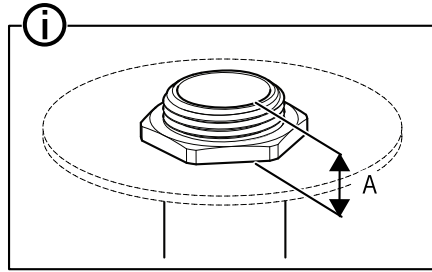
穿过墙壁布线

1. 使用钻孔样板为安装支架钻 4 个孔，并为每条网线钻 1 个孔。
2. 使用适当的螺丝将安装支架安装至墙壁。
3. 将网线和（如使用）多接口线缆穿过墙壁和安装支架。
4. 沿安装支架上的凹槽盘绕网线，并预留额外线缆长度，以便需要时使用。



如何将管道底板安装至安装支架

1. 将安装板安装至墙壁。
2. 在管道上的螺母和螺纹之间使用乐泰并借助锁紧螺母安装管道。确保距离 A 可限值范围内。



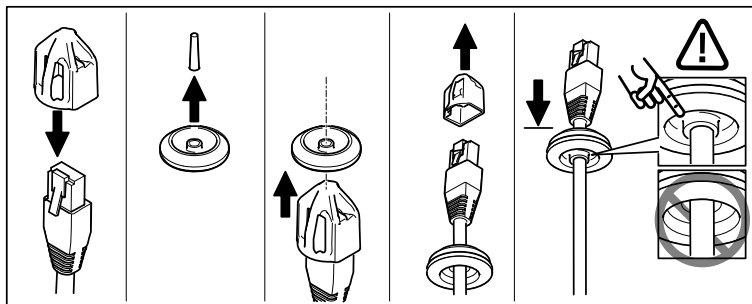
A 最大 8 毫米
B 3/4" 管道

连接线缆，将单元外壳安装至安装支架

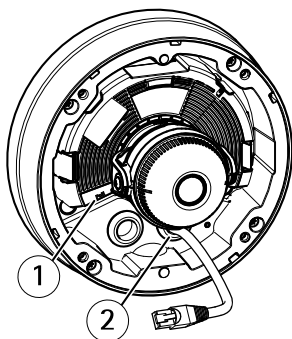
1. 将 SD 卡插入摄像机单元（可选）。
2. 使用随附的接口防护装置，通过黑色线缆垫圈将网线推入单元外壳的一个孔中（请参见）。
3. 轻轻向后拉动网线，使线缆垫圈在线缆上调整到位。

注意

未向后拉动线缆，会导致水渗入并损坏产品。



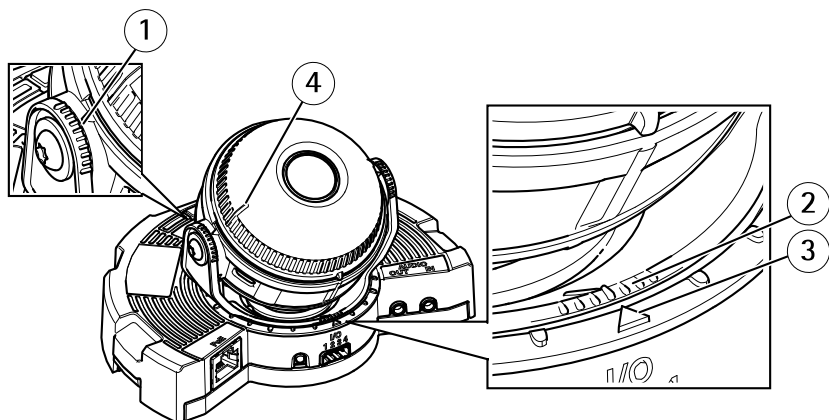
4. 将网线穿过距离摄像机单元中网络接口最远的线缆垫圈。



- 1 网络接口
- 2 线缆垫圈

5. 将单元外壳安装至安装支架时，使用 Resistorx® 匙 TR20 拧紧四个防篡改螺丝。
6. 将线缆连接至摄像机单元。
7. 将旁边的弹簧拉进单元外壳内，并将摄像机单元安装至单元外壳。

调整摄像机角度

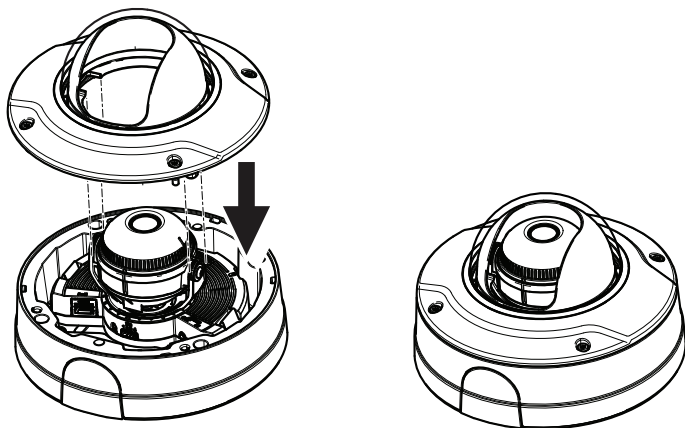


- 1 光学元件夹具 (optic holder) 上的线路可显示的倾斜角增值为 10°
- 2 光学元件安装支架 (optic mount) 上的较小线路可显示的水平转动角度增值为 3°
- 3 光学元件安装支架 (optic mount) 上的线路可显示的水平转动角度增值为 15°
- 4 镜头盖上的线路可帮助确保摄像机处于水平位置

1. 对摄像机进行水平转动、垂直转动和旋转操作，覆盖监控的区域。可以水平转动 360° ，垂直转动至 90° 。
2. 水平转动和旋转镜头，调整图像。
3. 使用镜头盖上的 2 条线路，确保摄像机处于水平状态。激活调平助手请按功能按钮。参见 [功能按钮](#) 在第 156 页。

安装球型罩

1. 将球型罩安装至单元外壳时，确保橡胶垫圈安全装置在球型罩中。
2. 将黑色挡板中的凹槽穿到摄像机光学元件夹具 (optic holder) 任一侧的螺钉上方。
3. 如果使用风雨罩，请将风雨罩安装至球型罩。使用风雨罩随附的两个螺丝。
4. 使用 Resistorx® 匙 TR20 将球型罩安装至单元外壳。
5. 从球型罩中移除保护膜。



访问产品

AXIS IP Utility 和 AXIS Camera Management 推荐用于查找网络上的安讯士产品，并在 Windows 中为它们分配 IP 地址®。两款应用都免费提供，并可在下列网址中下载：www.axis.com/techsup

该产品可配合多数操作系统和浏览器使用。我们推荐使用下列浏览器：

- Internet Explorer® (搭配 Windows) ®
- Safari® (搭配 OS X) ®
- Chrome™ 或 Firefox® (搭配其他操作系统) 。

有关使用该产品的更多信息，请参见用户手册，网址：www.axis.com

设置对焦和变焦

这些说明适用于您在启动摄像机时选择**光学变焦**用于安装。

1. 访问**视频和音频 > 对焦和变焦**。
2. 在**基本**选项卡上，使用滑块设置**变焦**级别。
点击<或>按钮，将变焦位置移动一步。
点击<<或>>按钮，将变焦位置移动多步。

备注

在实施自动对焦时，应避免在摄像机前面移动。

3. 点击**实施自动对焦**。
4. 如果自动对焦效果不令人满意，请访问**高级**选项卡。

在 **高级** 选项卡上，可手动调整焦距：

1. 点击 **打开光圈**，使光圈处于最大开启位置，以实现最小景深，为对焦创造最佳条件。
2. 对焦设置请见 **对焦窗口**。使用鼠标移动对焦窗口，并调整其大小。
3. 点击 **对焦位置** 栏，聚焦预定位置。
点击 **<或>** 按钮，将对焦位置移动一步。
点击 **<< 或 >>** 按钮，将对焦位置移动多步。
4. 满意后点击 **启用光圈** 进行启用。

设置对焦和变焦限值

这些说明适用于您在启动摄像机时选择**光学变焦用于监控**。

针对新的预置位设置对焦和变焦：

1. 访问 **PTZ > 预置位**，在摄像机图像中针对您优选的区域设置对焦和变焦。
2. 在 **当前位置** 字段中输入预置位的名称，并选择 **使用当前位置作为原始位置**。
3. 点击 **添加**，将您的当前位置添加为预置位。
4. 在 **可用位置** 下拉列表中选择您的预置位。
5. 点击 **转向**，在预置位设置摄像机。
6. 点击 **保存**。

设置对焦和变焦的限值：

1. 进入 **视频和音频 > 对焦和变焦**。
2. 在下拉列表中选择 一个值作为 **长焦限值** 值，限制摄像机的最大变焦区域。
数字变焦级别使用字母 **D** 表示。
3. 预览长焦限值请点击 **转向**。
4. 在下拉列表中选择 一个值作为 **近距离对焦限值**，防止摄像机聚焦太近的对象。
5. 点击 **保存**。

备注

您还可在 **视频和音频 > 对焦和变焦** 中设置对焦和变焦，但您的设置在摄像机重启后不会保存。

重置为出厂默认设置

重要

重置为出厂默认设置应慎用。重置为出厂默认设置将把所有设置重置为出厂默认值，包括 IP 地址。

备注

安装和管理软件工具可通过以下网站中的支持页面获取：www.axis.com/techsup

要将产品重置为出厂默认设置，请执行以下操作：

1. 断开产品电源。
2. 按住控制按钮不放，重新连接电源。请参见 *硬件概览* 在第152页。
3. 按住控制按钮 15–30 秒的时间，直至 LED 状态指示灯闪烁淡黄色。
4. 松开控制按钮。当 LED 状态指示灯变为绿色时，结束此过程。该产品已重置为出厂时的默认设置。如果网络上没有可用的DHCP服务器，则默认的 IP 地址为 192.168.0.90。
5. 借助安装和管理软件工具，分配 IP 地址，设置密码及访问视频流。

也可通过 Web 界面将参数重置为出厂默认设置。访问 **设置 > 系统选项 > 维护**，并点击 **默认**。

更多信息

- 有关本文档的最新版本，请访问 www.axis.com
- 如欲查阅用户手册，请访问 www.axis.com
- 检查是否有可供您产品使用的更新固件请访问 www.axis.com/support
- 有关有用的在线培训和网络研讨会的信息请访问 www.axis.com/academy

保修信息

有关安讯士产品保修的信息及与之相关的信息，请访问 www.axis.com/warranty/

