

# INSTALLATION GUIDE

## AXIS Q19 Thermal Camera Series

**AXIS Q1910 Thermal Network Camera**

**AXIS Q1910-E Thermal Network Camera**

**AXIS Q1921 Thermal Network Camera**

**AXIS Q1921-E Thermal Network Camera**

**AXIS Q1922 Thermal Network Camera**

**AXIS Q1922-E Thermal Network Camera**

ENGLISH

FRANÇAIS

DEUTSCH

ITALIANO

ESPAÑOL

## Legal Considerations

Video and audio surveillance can be prohibited by laws that vary from country to country. Check the laws in your local region before using this product for surveillance purposes. This product includes one (1) H.264 decoder license. To purchase further licenses, contact your reseller.

## Trademark Acknowledgments

Apple, Boa, Bonjour, Ethernet, Internet Explorer, Linux, Microsoft, Mozilla, Real, SMPTE, QuickTime, UNIX, Windows, Windows Vista and WWW are registered trademarks of the respective holders. Java and all Java-based trademarks and logos are trademarks or registered trademarks of Oracle and/or its affiliates. UPnP™ is a certification mark of the UPnP™ Implementers Corporation.

## Electromagnetic Compatibility (EMC)

This equipment has been designed and tested to fulfill applicable standards for:

- Radio frequency emission when installed according to the instructions and used in its intended environment.
- Immunity to electrical and electromagnetic phenomena when installed according to the instructions and used in its intended environment.


**USA** – AXIS Q1910/-E/Q1921/-E: This equipment has been tested using shielded cables (STP) and found to comply with the limits for a Class B digital device, pursuant to part 15 of the FCC Rules. These limits are designed to provide reasonable protection against harmful interference in a residential installation. This equipment generates, uses and can radiate radio frequency energy and, if not installed and used in accordance with the instructions, may cause harmful interference to radio communications. However, there is no guarantee that interference will not occur in a particular installation. If this equipment does cause harmful interference to radio or television reception, which can be determined by turning the equipment off and on, the user is encouraged to try to correct the interference by one or more of the following measures:

- Reorient or relocate the receiving antenna.
- Increase the separation between the equipment and receiver.
- Connect the equipment into an outlet on a circuit different from that to which the receiver is connected.
- Consult the dealer or an experienced radio/TV technician for help.

**AXIS Q1922/-E:** This equipment has been tested using a shielded network cable and found to comply with the limits for a Class A digital device, pursuant to part 15 of the FCC Rules. These limits are designed to provide reasonable protection against harmful interference when the equipment is operated in a commercial environment. This equipment generates, uses, and can radiate radio frequency energy and, if not installed and used in accordance with the instruction manual, may cause harmful interference to radio communications. Operation of this equipment in a residential area is likely to cause harmful interference in which case the user will be required to correct the interference at his own expense.

**Canada** – AXIS Q1910/-E/Q1921/-E: This Class B digital apparatus complies with Canadian ICES-003.

**AXIS Q1922/-E:** This Class A digital apparatus complies with Canadian ICES-003

**Europe** –  AXIS Q1910/-E/Q1921/-E: This digital equipment fulfills the requirements for RF emission according to the Class B limit of EN 55022.

**AXIS Q1922/-E:** This digital equipment fulfills the requirements for RF emission according to the Class A limit of EN 55022. Caution! This is a Class A product. In a

domestic environment this product may cause RF interference, in which case the user may be required to take adequate measures.

This product fulfills the requirements for emissions and immunity according to EN 50121-4 railway applications. This product fulfills the requirements for immunity according to EN 61000-6-1 residential, commercial and light-industry environments. This product fulfills the requirements for immunity according to EN 61000-6-2 industrial environments. This product fulfills the requirements for immunity according to EN 55024 office and commercial environments.

**Australia** – AXIS Q1910/-E/Q1921/-E: This digital equipment fulfills the requirements for RF emission according to the Class B limit of AS/NZS CISPR 22.

**AXIS Q1922/-E:** This digital equipment fulfills the requirements for RF emission according to the Class A limit of AS/NZS CISPR 22. Caution! This is a class A product. In a domestic environment this product may cause RF interference, in which case the user may be required to take adequate measures.

**Korea** – AXIS Q1910/-E/Q1921/-E: 이 기기는 가정용(B급) 전자파적합기기로서 주로 가정에서 사용하는 것을 목적으로 하며, 모든 지역에서 사용할 수 있습니다.

**AXIS Q1922/-E:** 이 기기는 업무용(A급) 전자파적합기기로서 판매자 또는 사용자는 이 점을 주의하시기 바라며, 가정외의 지역에서 사용하는 것을 목적으로 합니다.

**Japan** – AXIS Q1910/-E/Q1921/-E: この装置は、クラスB 情報技術装置です。この装置は、家庭環境で使用することを目的としていますが、この装置がラジオやテレビジョン受信機に近接して使用されると、受信障害を引き起こすことがあります。取扱説明書に従って正しい取り扱いをして下さい。

**AXIS Q1922/-E:** この装置は、クラスA 情報技術装置です。この装置を家庭環境で使用すると電波妨害を引き起こすことがあります。この場合には使用者が適切な対策を講ずるよう要求されることがあります。

## Safety

The power supply used with this product shall fulfill the requirements for Safety Extra Low Voltage and Limited Power Source according to EN/IEC/UL 60950-1.

**AXIS Q1910/Q1921/Q1922:** This product complies to EN/IEC 60950-1, Safety of Information Technology Equipment.

The POE (Ethernet) cable should not be routed to an outside power source, unless protectively earthed.

**AXIS Q1910-E/Q1921-E/Q1922-E:** This product complies to EN/IEC 60950-1 and EN/IEC 60950-22, Safety of Information Technology Equipment.

## Equipment Modifications

This equipment must be installed and used in strict accordance with the instructions given in the user documentation. This equipment contains no user-serviceable components. Unauthorized equipment changes or modifications will invalidate all applicable regulatory certifications and approvals.

Continued on page 105.

# Safeguards

Please read through this Installation Guide carefully before installing the product. Keep the Installation Guide for further reference.

## CAUTION!

- When transporting the Axis product, use the original packaging or equivalent to prevent damage to the product.
- Store the Axis product in a dry and ventilated environment. Keep the storage and operating temperature within the limits stated in the User Manual available on the CD included in this package, or from [www.axis.com](http://www.axis.com)
- Avoid exposing the Axis product to vibration, shocks or heavy pressure and do not install the product on unstable brackets, unstable or vibrating surfaces or walls, since this could cause damage to the product.
- Only use handtools when installing the Axis product, the use of electrical tools or excessive force could cause damage to the product.
- Do not aim the camera lens toward the sun or other high-intensity radiation sources since this could cause damage to the sensor.
- Do not use chemicals, caustic agents, or aerosol cleaners. Use a damp cloth for cleaning.
- Use only accessories that comply with technical specification of the product. These can be provided by Axis or a third party.
- Use only spare parts provided by or recommended by Axis.
- Do not attempt to repair the product by yourself, contact Axis or your Axis reseller for service matters.

## IMPORTANT!

- This Axis product must be used in compliance with local laws and regulations.
- To use Axis indoor products outdoors, they must be installed in an approved outdoor housing. Please install Axis outdoor-ready products for outdoor use or see [www.axis.com](http://www.axis.com) for more information on outdoor housings and other accessories.
- Do not install the camera near heat sources since fluctuating temperatures may affect image quality.
- The Axis product should be installed by a trained professional. Please observe relevant national and local regulations for the installation.

## Battery replacement

This Axis product uses a 3.0V CR2032 Lithium battery as the power supply for its internal real-time clock (RTC). Under normal conditions this battery will last for a minimum of 5 years. Low battery power affects the operation of the RTC, causing it to reset at every power-up. A log message will appear when the battery needs replacing. The battery should not be replaced unless required!

If the battery does need replacing, please contact [www.axis.com/techsup](http://www.axis.com/techsup) for assistance.

- Danger of Explosion if battery is incorrectly replaced.
- Replace only with the same or equivalent battery, as recommended by the manufacturer.
- Dispose of used batteries according to the manufacturer's instructions.



# AXIS Q19 Thermal Camera Series Installation Guide

This installation guide provides instructions for installing an AXIS Q1910/-E/Q1921/-E/Q1922/-E Thermal Network Camera on your network. For all other aspects of using the product, please see the User Manual, available on the CD included in this package, or from [www.axis.com](http://www.axis.com)

## Installation steps

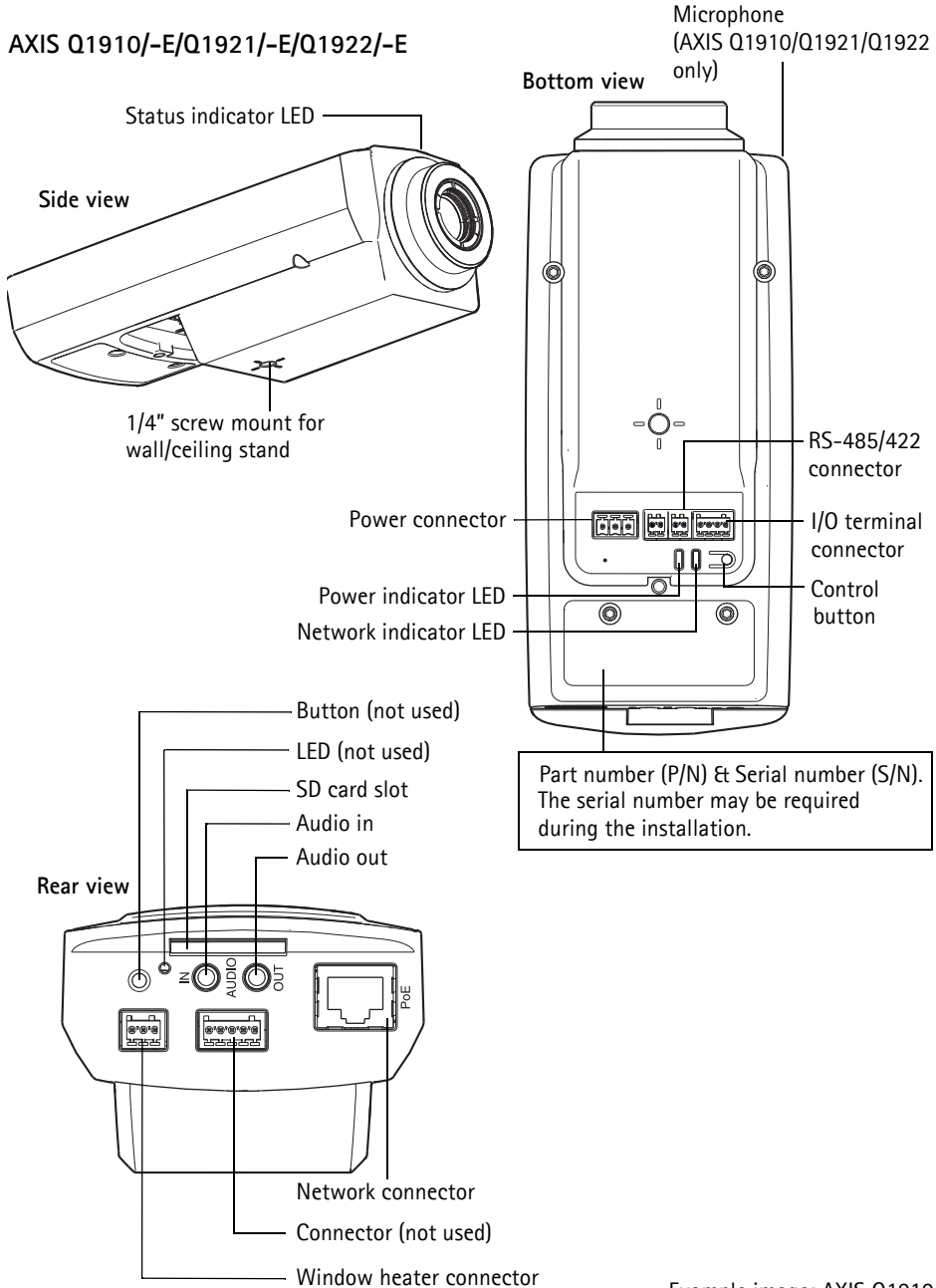
1. Check the package contents against the list below.
2. Hardware overview. See page 6.
3. Install the hardware.
  - Install AXIS Q1910/Q1921/Q1922. See page 11.
  - Install AXIS Q1910-E/Q1921-E/Q1922-E. See page 11.
  - Connect the cables. See page 13.
4. Assign an IP address. See page 14.
5. Set the password. See page 17.

## 1 Package contents

Item	Models/variants/notes
Network camera	AXIS Q1910/-E (8.3 fps) AXIS Q1921/-E (8.3/30 fps) AXIS Q1922/-E (8.3/30 fps) <b>Note:</b> Frame rate above 9 fps may be subject to export control regulations
Network cable	AXIS Q1910-E/Q1921-E/Q1922-E Outdoor network cable 5 m (16 ft.)
Terminal block connectors	4-pin connector for connecting external devices to the I/O terminal connector; 3-pin connector for power connection; 2-pin connector for RS-485/422 connection (2x)
Camera stand	AXIS Q1910/Q1921/Q1922      Metal stand
Wall bracket	AXIS Q1910-E/Q1921-E/Q1922-E      Wall bracket with internal cable channel
Tools	AXIS Q1910-E/Q1921-E/Q1922-E      Torx T20 Screwdriver; Allen key
CD	AXIS Network Video Product CD, including product documentation, installation tools and other software
Printed materials	AXIS Q19 Thermal Camera Series Installation Guide (this document) Drill template Axis Warranty Document Extra serial number labels (2x) AVHS Authentication key
Optional accessories	See <a href="http://www.axis.com">www.axis.com</a> for information on available accessories.

## 2 Hardware overview

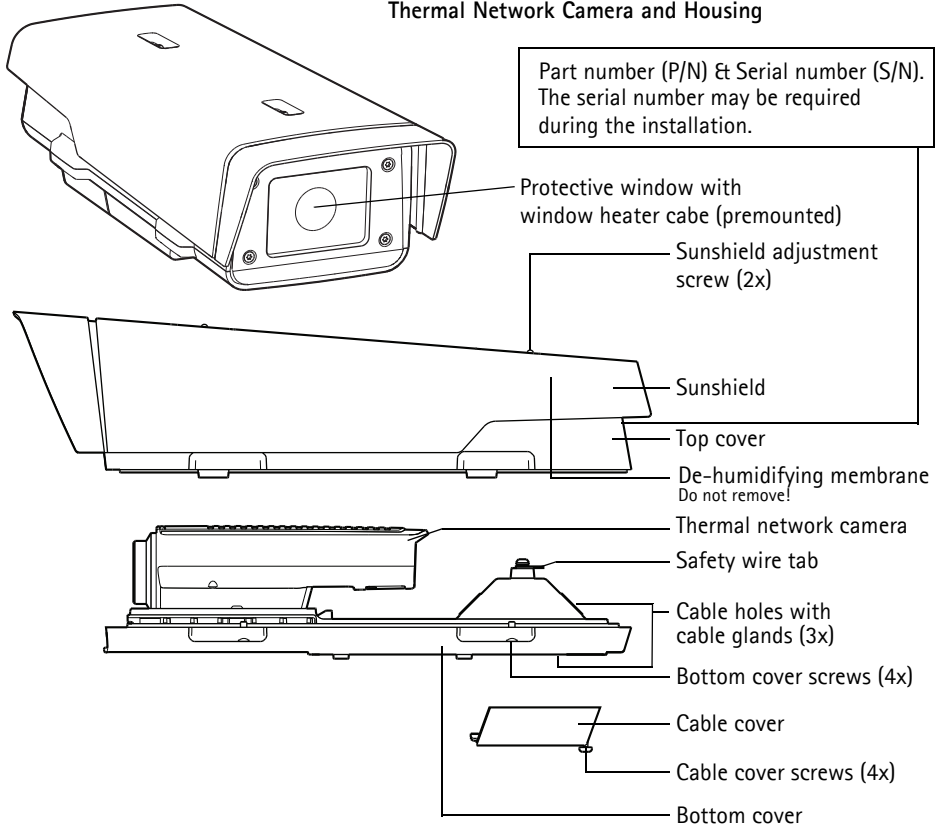
AXIS Q1910/-E/Q1921/-E/Q1922/-E



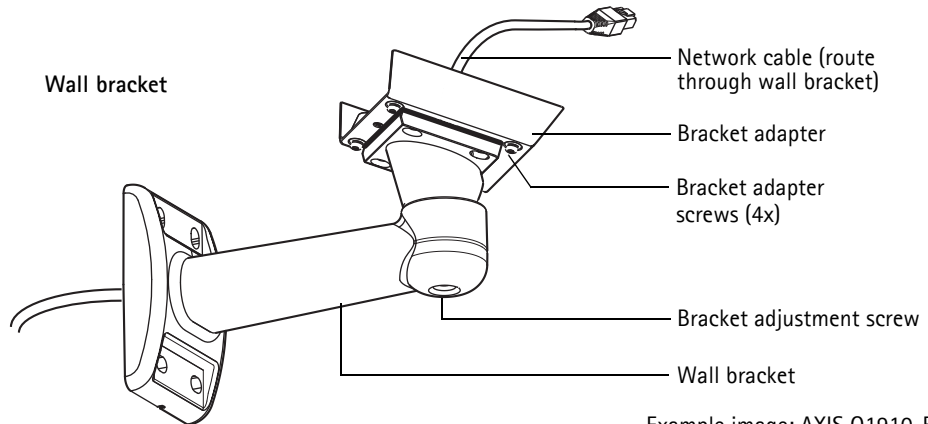
Example image: AXIS Q1910

AXIS Q1910-E/Q1921-E/Q1922-E

Thermal Network Camera and Housing



Wall bracket



Example image: AXIS Q1910-E

## Unit connectors

**Network** – RJ-45 Ethernet connector. Supports PoE (Power over Ethernet, class 3).

### Note:

Due to local regulations or the environmental and electrical conditions in which the product is to be used, a shielded network cable (STP) may be appropriate or required. Any network cables that are routed in outdoor environments or similar shall be shielded (STP) and intended for their specific use. Make sure the network switch is properly grounded. See *Electromagnetic Compatibility (EMC)* for regulatory requirements.

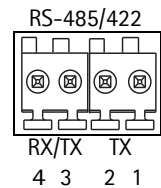
**Audio in** – 3.5 mm input for a mono microphone, or a line-in mono signal (left channel is used from a stereo signal). An external microphone must be used for audio detection.

**Audio out** – 3.5 mm output for audio (line level), can be connected to a public address (PA) system or an active speaker with a built-in amplifier. A pair of headphones can also be connected. A stereo connector must be used for audio out.

**RS-485/422** – two 2-pin terminal blocks for RS-485/422 serial interface used to control auxiliary equipment, e.g. PTZ devices.

The RS-485/422 serial port can be configured in the following port modes:

- Bidirectional RS-485 half-duplex port for data transmission using two wires, one combined RX/TX pair.
- Bidirectional RS-485 full-duplex port for data transmission using four wires, one RX pair and one TX pair.
- Unidirectional RS-422 port for transmitting or receiving data using two wires, RX- or TX pair.
- Bidirectional RS-422 full-duplex port for data transmission (point-to-point) using four wires, one RX pair and one TX pair.

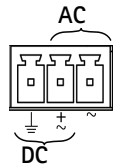


Function	Pin	Notes
RS 485/422TX(A)	1	TX pair for RS-422 and 4-wire RS-485
RS 485/422TX(B)	2	
RS-485A alt RS-485/422RX(A)	3	RX pair for all modes (combined RX/TX for 2-wire RS-485)
RS-485B alt RS-485/422RX(B)	4	

**SD card slot** – A standard or high capacity SD card (not included) is required to store images locally in the camera.



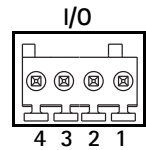
**Power** – 3-pin terminal block used for power input. Use a limited power source, such as a mains adaptor, which rated power output does not exceed either 100 W or 5 A. If the Axis product's input voltage is less than 20 V, the current from the mains adaptor shall still be limited to  $\leq 5$  A. If the mains adaptor has a higher output voltage than 20 V, its power output shall still be limited to  $\leq 100$  W.



Model	Power requirements DC	Power requirements AC
AXIS Q1910	8-20 V DC, max 10 W	20-24 V AC, 50/60Hz, max 15 VA
AXIS Q1910-E	8-20 V DC, max 13 W	20-24 V AC, 50/60Hz, max 18 VA
AXIS Q1921	8-20 V DC, max 7 W	20-24 V AC, 50/60Hz, max 13 VA
AXIS Q1921-E	8-20 V DC, max 12 W	20-24 V AC, 50/60Hz, max 18 VA
AXIS Q1922	8-20 V DC, max 9 W	20-24 V AC, 50/60Hz, max 14 VA
AXIS Q1922-E	8-20 V DC, max 13 W	20-24 V AC, 50/60Hz, max 20 VA

**CAUTION!** - Incorrect connection of the wires could cause damage to the camera.

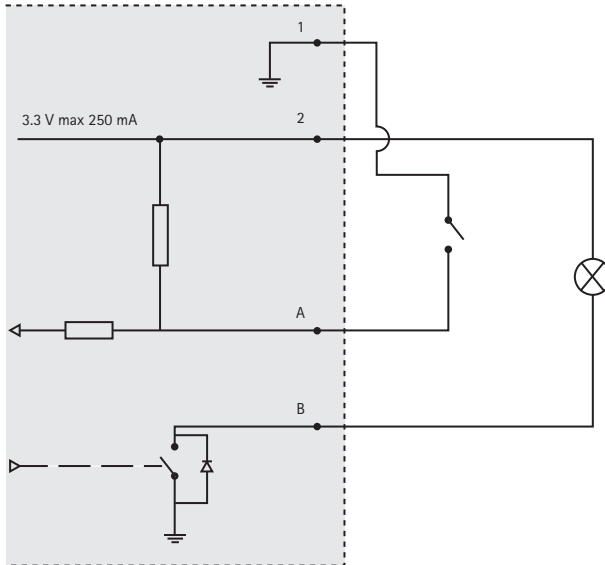
**I/O terminal connector** – Used in applications for e.g. motion detection, event triggering, time lapse recording and alarm notifications. In addition to an auxiliary power and a GND pin, the network camera has 2 pins that can be configured as either input or output. These pins provide the interface to:



- Transistor output - For connecting external devices such as relays and LEDs. Connected devices can be activated by AXIS VAPIX API, output buttons on the **Live View** page or by an **Event Type**. The output will show as active (shown under **Events > Port Status**) if the alarm device is activated.
- Digital input - An alarm input for connecting devices that can toggle between an open and closed circuit, for example: PIRs, door/window contacts, glass break detectors, etc. When a signal is received the state changes and the input becomes active (shown under **Events > Port Status**.)

Function	Pin number	Notes	Specifications
GND	1	Ground	
3.3 V DC Power	2	Can be used to power auxiliary equipment. Note: This pin can only be used as power out.	Max load = 250 mA
Configurable (Input or Output)	3 - 4	Digital input - Connect to GND to activate, or leave floating (or unconnected) to deactivate.	0 to +40 V DC
		Digital output - Internal connection to ground when activated, floating (unconnected) when deactivated. If used with an inductive load, e.g. a relay, a diode must be connected in parallel with the load, for protection against voltage transients.	Max load = 100 mA Max voltage = +40 V DC

## Connection diagram



## LED indicators

LED	Color	Indication
Network	Green	Steady for connection to a 100 Mbit/s network. Flashes for network activity.
	Amber	Steady for connection to 10 Mbit/s network. Flashes for network activity.
	Unlit	No network connection.
Status	Green	Steady green for normal operation. Note: The Status LED can be configured to be unlit during normal operation, or to flash only when the camera is accessed. To configure, go to <b>Setup &gt; System Options &gt; LED</b> . See the online help files for more information.
	Amber	Steady during startup, during reset to factory default or when restoring settings.
	Red	Slow flash for failed upgrade.
Power	Green	Normal operation.
	Amber	Flashes green/amber during firmware upgrade.

### 3 Install the hardware

For outdoor use, please install AXIS Q1910-E/Q1921-E/Q1922-E, or see [www.axis.com](http://www.axis.com) for more information on outdoor housing and other accessories.

#### Install AXIS Q1910/Q1921/Q1922

The instructions below describe the installation of AXIS Q1910/Q1921/Q1922.

1. Attach the metal stand to the camera and make sure that the screws and plugs are appropriate for the material (e.g. wood, metal, sheet rock, stone).
2. Connect the cables, see *Connect the cables*, on page 13.

#### Install AXIS Q1910-E/Q1921-E/Q1922-E

The instructions below describe the installation of AXIS Q1910-E/Q1921-E/Q1922-E.

#### Install the wall bracket

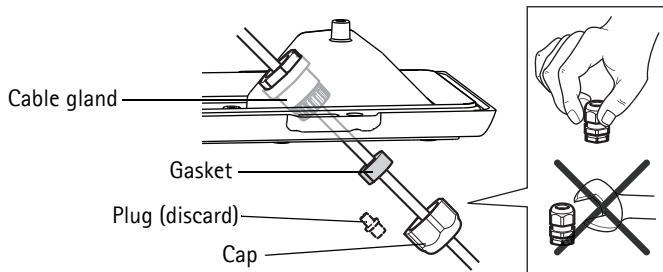
1. Use the supplied drill template to prepare a wall for installation of the wall bracket.
2. Route the network cable through the wall bracket and the bracket adapter. Leave approximately 30 cm (11.8") of cable for connecting the camera.
3. Install the wall bracket on a wall and make sure that the screws and plugs are appropriate for the material (e.g. wood, metal, sheet rock, stone).

#### Notes:

- Check that the material is strong enough to support the weight of the camera.
- For more technical specifications, please see the User Manual, available on the CD included in this package, or from [www.axis.com](http://www.axis.com)

#### Route the network cable through the cable hole

1. Loosen the cable cover screws; detach the cable cover from the bottom cover.



2. Remove the cap, the plug and the gasket from the cable gland that is to be used.
3. Route the network cable through the cap.
4. Slide the network cable through the slit on the gasket to attach the gasket to the network cable. See *Unit connectors*, on page 8 for information on network cable requirements.

5. Route the network cable through the cable gland.
6. Press the gasket into the cable gland and screw the cap on firmly.

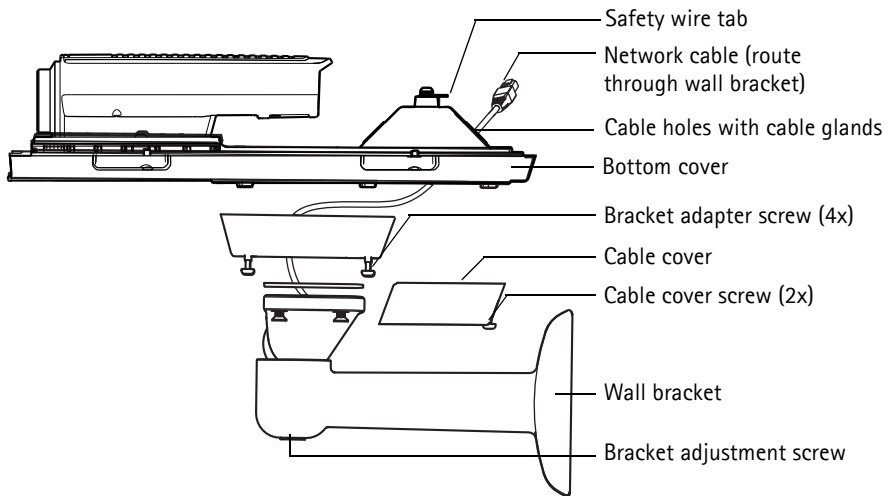
**Note:**

Using any other than the provided cable gland may cause water to seep in and damage the product. Cables must have a diameter of 4.0 mm - 5.5 mm.

### Attach the camera to the wall bracket

1. Place the camera with the bottom cover on the bracket and tighten the bracket adapter screws.
2. Replace the cable cover and tighten the screws.
3. Connect the cables, see *Connect the cables*, on page 13.

**Note:** If more than one cable is used, each cable must be routed through a separate cable gland, see *Route the network cable through the cable hole*, on page 11.



4. Loosen the bracket adjustment screw to aim the camera to the point of interest and focus the camera if required, see *Focus adjustment - AXIS Q1921/-E/Q1922/-E*, on page 19. See *Access the video stream*, on page 18, for information on how to view the video stream.
5. Attach the safety wire to the tab on the bottom cover.
6. Connect the window heater cable to the window heater connector on the camera.
7. Attach the top cover to the bottom cover. Make sure to tighten diagonally opposite bottom cover screws a few turns at a time until all are tight. This will help ensure that the bottom cover gasket is compressed evenly.
8. Loosen the sunshield adjustment screws and adjust the sunshield to the desired position.

## Connect the cables



1. Optionally insert an SD card (not included) into the SDHC (Secure Digital High Capacity) card slot. A standard or high capacity SD card is required to store images locally in the camera.
2. Optionally connect external input/output devices. See page 22 for information on the terminal connector pins.
3. Optionally connect an active speaker and/or external microphone.
4. Connect the camera to the network.
5. Connect power, using one of the methods listed below:
  - PoE (Power over Ethernet, Class 3). If available, this is automatically detected when the network cable is connected.
  - Connect an external power adapter to the power connector block, see *Resetting to the Factory Default Settings*, on page 22 for wiring information.
6. Check that the indicator LEDs indicate the correct conditions. See the table on page 10 for further details.

## 4 Assign an IP address

Most networks today have a DHCP server that automatically assigns IP addresses to connected devices. If your network does not have a DHCP server the network camera will use 192.168.0.90 as the default IP address.

If you would like to assign a static IP address, the recommended method in Windows is either **AXIS IP Utility** or **AXIS Camera Management**. Depending on the number of cameras you wish to install, use the method that best suits your purpose.

Both of these free applications are available on the Axis Network Video Product CD supplied with this product, or they can be downloaded from [www.axis.com/techsup](http://www.axis.com/techsup)

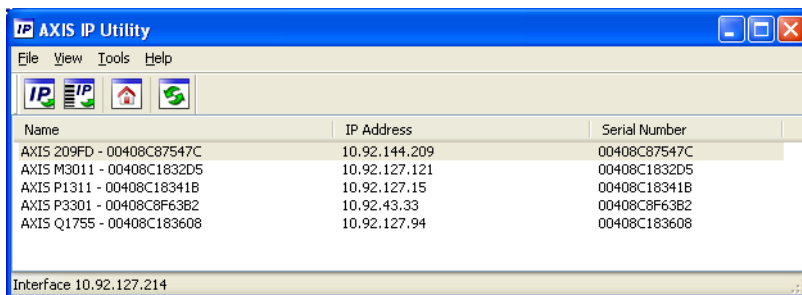
Method	Recommended for	Operating system
 AXIS IP Utility See page 14	Single camera Small installations	Windows
 AXIS Camera Management See page 15	Multiple cameras Large installations Installation on a different subnet	Windows 2000 Windows XP Pro Windows 2003 Server Windows Vista Windows 7

### Notes:

- If assigning the IP address fails, check that there is no firewall blocking the operation.
- For other methods of assigning or discovering the IP address, e.g. in other operating systems, see page 20.

## AXIS IP Utility – single camera/small installation

AXIS IP Utility automatically discovers and displays Axis devices on your network. The application can also be used to manually assign a static IP address.




Note that the computer running AXIS IP Utility must be on the same network segment (physical subnet) as the network camera.

### Automatic discovery

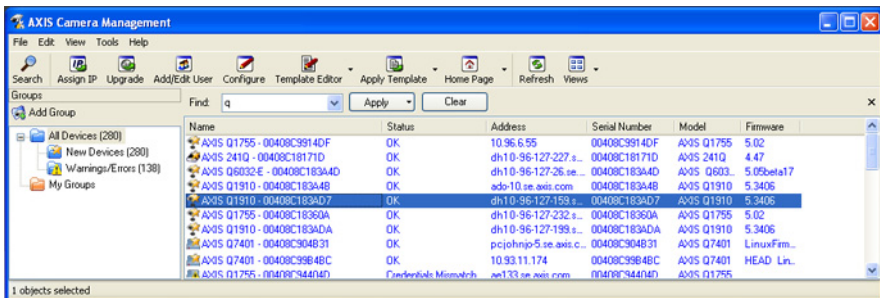
1. Check that the network camera is connected to the network and that power has been applied.
2. Start AXIS IP Utility.
3. When the camera appears in the window, double-click it to open its home page.
4. See page 17 for instructions on how to assign the password.

### Assign the IP address manually (optional)

1. Acquire an unused IP address on the same network segment as your computer.
2. Select the network camera in the list.
3. Click the Assign new IP address to the selected device button  and enter the IP address.
4. Click **Assign** and follow the on-screen instructions. Note that the camera must be restarted within 2 minutes for the new IP address to be set.
5. Click **Home Page** to access the camera's web pages.
6. See page 17 for instructions on how to set the password.

### AXIS Camera Management – multiple cameras/large installations


AXIS Camera Management can automatically discover multiple Axis devices, show connection status, manage firmware upgrades and set IP addresses.

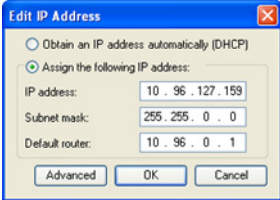


### Automatic discovery

1. Check that the camera is connected to the network and that power has been applied.
2. Start AXIS Camera Management. When the network camera appears in the window, right-click the link and select **Live View Home Page**.
3. See page 17 for instructions on how to set the password.

## Assign an IP address in a single device

1. Select the network camera in AXIS Camera Management and click the Assign IP button. 
2. Select Assign the following IP address and enter the IP address, subnet mask and default router the device will use.
3. Click OK.



**Edit IP Address**

Obtain an IP address automatically (DHCP)

Assign the following IP address:

IP address: 10 . 96 . 127 . 159


Subnet mask: 255 . 255 . 0 . 0

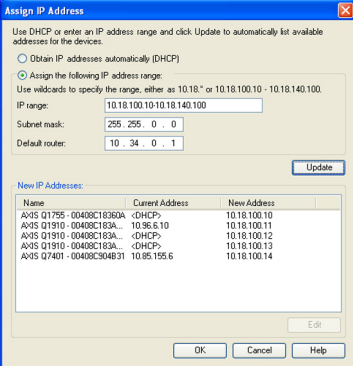
Default router: 10 . 96 . 0 . 1

Advanced OK Cancel

## Assign IP addresses in multiple devices

AXIS Camera Management speeds up the process of assigning IP addresses to multiple devices, by suggesting IP addresses from a specified range.

1. Select the devices you wish to configure (different models can be selected) and click the Assign IP button. 
2. Select Assign the following IP address range and enter the range of IP addresses, the subnet mask and default router the devices will use.
3. Click Update. Suggested IP addresses are listed under New IP Addresses and can be edited by selecting a device and clicking Edit.
4. Click OK.



**Assign IP Address**

Use DHCP or enter an IP address range and click Update to automatically list available addresses for the devices.

Obtain IP addresses automatically (DHCP)

Assign the following IP address range:

Use wildcards to specify the range, either as "10.18.\*" or "10.18.100.10 - 10.18.140.100".

IP range: 10.18.100.10-10.18.140.100

Subnet mask: 255 . 255 . 0 . 0

Default router: 10 . 34 . 0 . 1

Update

**New IP Addresses:**

Name	Current Address	New Address
AXIS Q1755 - 00408C18360A	<DHCP>	10.18.100.10
AXIS Q1910 - 00408C183A...	10.36.6.10	10.18.100.11
AXIS Q1910 - 00408C183A...	<DHCP>	10.18.100.12
AXIS Q1910 - 00408C183A...	<DHCP>	10.18.100.13
AXIS Q7401 - 00408C304B31	10.85.195.6	10.18.100.14

Edit

OK Cancel Help



## 5 Set the password

To gain access to the product, the password for the default administrator user `root` must be set. This is done in the 'Configure Root Password' dialog, which is displayed when the network camera is accessed for the first time.

To prevent network eavesdropping when setting the root password, this can be done via an encrypted HTTPS connection, which requires an HTTPS certificate.

**Note:** HTTPS (Hypertext Transfer Protocol over SSL) is a protocol used to encrypt the traffic between web browsers and servers. The HTTPS certificate controls the encrypted exchange of information.

To set the password via a standard HTTP connection, enter it directly in the first dialog shown below.

To set the password via an encrypted HTTPS connection, follow these steps:

1. Click the **Create self-signed certificate** button.
2. Provide the requested information and click **OK**. The certificate is created and the password can now be set securely. All traffic to and from the network camera is encrypted from this point on.
3. Enter a password and then re-enter it to confirm the spelling. Click **OK**. The password has now been configured.

To create an HTTPS connection, start by clicking this button.

To configure the password directly via an unencrypted connection, enter the password here.

4. To log in, enter the user name "root" in the dialog as requested.

**Note:** The default administrator user name `root` cannot be deleted.

5. Enter the password as set above, and click **OK**.

**Note:** If the password is lost, the camera must be reset to the factory default settings. See page 22.

## Access the video stream

The Live View page of the network camera is displayed, with links to the Setup tools, which allow you to customize the camera.

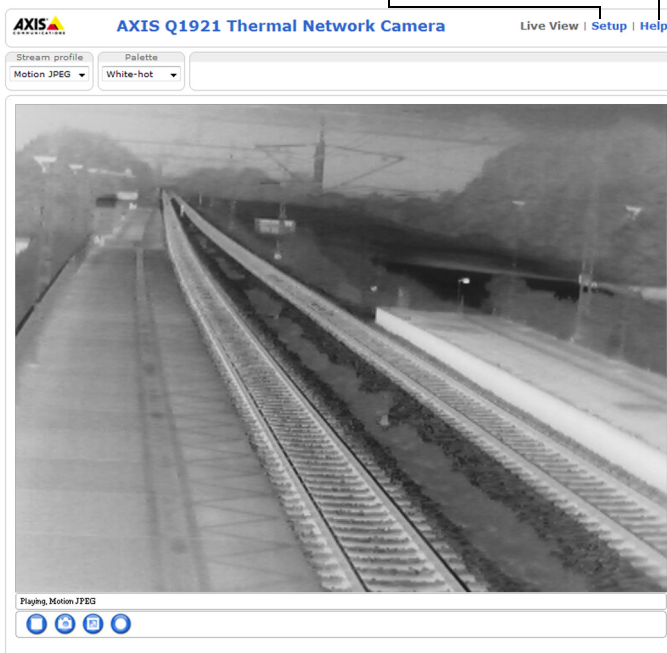
If required, click **Yes** to install AMC (AXIS Media Control), which allows viewing of the video stream in Internet Explorer. You will need administrator rights on the computer to do this.

If required, click the link to install missing decoders.

**Note:** To install AMC in Windows Vista and Windows 7, you must run Internet Explorer as an administrator. Right-click the Internet Explorer icon and select Run as administrator.

**Setup** - Provides all the tools for configuring the camera to requirements.

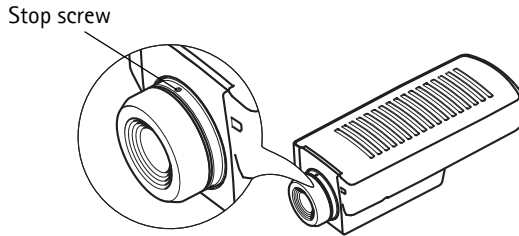
**Help** - Displays online help on all aspects of using the camera.



## Focus adjustment – AXIS Q1921/-E/Q1922/-E

If required, follow these instructions to focus AXIS Q1921/-E/Q1922/-E:

1. Unscrew the stop screw on the lens, using a slotted screwdriver 1.8 mm.



2. Focus the camera to the appropriate distance. See the table below for recommended focus distances for achieving optimal focus both for near focus and infinity.

Camera and lens	10 mm lens	19 mm lens	35 mm lens	60 mm lens
AXIS Q1921/-E	2 m (6.6 ft.)	8 m (26.2 ft.)	22 m (72.2 ft.)	60 m (197 ft.)
AXIS Q1922/-E	3 m (9.8 ft.)	10 m (32.8 ft.)	33 m (108.2 ft.)	90 m (295.3 ft.)

3. Secure the stop screw.

**Note:**

AXIS Q1910/-E has a fixed-focus lens set to infinity and cannot be adjusted.

## Other methods of setting the IP address

The table below shows the other methods available for setting or discovering the IP address. All methods are enabled by default, and all can be disabled.

	Use in operating system	Notes
UPnP™	Windows	When enabled on your computer, the camera is automatically detected and added to "My Network Places."
Bonjour	MAC OSX (10.4 or later)	Applicable to browsers with support for Bonjour. Navigate to the Bonjour bookmark in your browser (e.g. Safari) and click on the link to access the camera's web pages.
AXIS Dynamic DNS Service	All	A free service from Axis that allows you to quickly and simply install your camera. Requires an Internet connection with no HTTP proxy. See <a href="http://www.axiscam.net">www.axiscam.net</a> for more information.
ARP/Ping	All	See below. The command must be issued within 2 minutes of connecting power to the camera.
DHCP server	All	To view the admin pages for the network DHCP server, see the server's own documentation.

## AXIS Video Hosting System (AVHS)

The camera can also be connected to an AVHS service for hosted video. If you have subscribed to an AVHS service, follow the instructions in the Service Provider's Installation Guide. For more information and help to find a local AVHS Service Provider, go to [www.axis.com/hosting](http://www.axis.com/hosting)

A **Camera owner authentication key** is supplied with this product. The key is associated with the camera's unique serial number (S/N) as shown on the top of the label.

### Note:

Save the key for future reference.

## Set the IP address with ARP/Ping

1. Acquire an IP address on the same network segment your computer is connected to.
2. Locate the serial number (S/N) on the product label on the camera.
3. Open a command prompt on your computer and enter the following commands:

<b>Windows syntax:</b>	Windows example:
arp -s <IP Address> <Serial Number> ping -l 408 -t <IP Address>	arp -s 192.168.0.125 00-40-8c-18-10-00 ping -l 408 -t 192.168.0.125
<b>UNIX/Linux/Mac syntax:</b>	UNIX/Linux/Mac example:
arp -s <IP Address> <Serial Number> temp ping -s 408 <IP Address>	arp -s 192.168.0.125 00:40:8c:18:10:00 temp ping -s 408 192.168.0.125

4. Check that the network cable is connected to the camera and then start/restart the camera, by disconnecting and reconnecting power.
5. Close the command prompt when you see 'Reply from 192.168.0.125: ...' or similar.
6. In your browser, type in http://<IP address> in the Location/Address field and press Enter on your keyboard.

### Notes:

- To open a command prompt in Windows: from the Start menu, select Run... and type cmd. Click OK.
- To use the ARP command in Windows Vista, right-click the command prompt icon and select **Run as administrator**.
- To use the ARP command on a Mac OS X, use the Terminal utility in Application > Utilities.

## Resetting to the Factory Default Settings

This will reset all parameters, including the IP address, to the Factory Default settings:

1. Disconnect power from the camera.
2. Press and hold the control button and reconnect power.
3. Keep the control button pressed until the status indicator displays amber (this may take up to 15 seconds).
4. Release the control button. When the status indicator displays green (which can take up to 1 minute) the process is complete and the camera has been reset.
5. Re-assign the IP address, using one of the methods described in this document.

It is also possible to reset parameters to the original factory default settings via the web interface. For more information, please see the online help or the User Manual.

## Accessing the camera from the Internet

Once installed, your network camera is accessible on your local network (LAN). To access the camera from the Internet, network routers must be configured to allow incoming traffic, which is usually done on a specific port.

- HTTP port (default port 80) for viewing and configuration
- RTSP port (default port 554) for viewing H.264 video streams

Please refer to the documentation for your router for further instructions. For more information on this and other topics, visit the Axis Support Web at [www.axis.com/techsup](http://www.axis.com/techsup)

## Further information

The User Manual is available from the Axis Web site at [www.axis.com](http://www.axis.com) or from the Axis Network Video Product CD supplied with this product.

### Tip!

Visit [www.axis.com/techsup](http://www.axis.com/techsup) to check if there is updated firmware available for your network camera. To see the currently installed firmware version, see Setup > About.

### Learn more!

Visit Axis learning center [www.axis.com/academy](http://www.axis.com/academy) for useful trainings, webinars, tutorials and guides.



# Mesures de sécurité

Lisez attentivement ce guide d'installation avant d'installer le produit. Conservez le guide d'installation pour une utilisation ultérieure.

## ATTENTION!

- Pour éviter d'endommager le produit Axis, utilisez l'emballage d'origine ou un équivalent pour le transporter.
- Stockez le produit Axis dans un environnement sec et aéré. Gardez les températures de stockage et d'utilisation dans les limites spécifiées dans le manuel de l'utilisateur disponible sur le CD inclus ou sur [www.axis.com](http://www.axis.com)
- Évitez d'exposer le produit Axis à des vibrations, des chocs ou une trop forte pression et ne l'installez pas sur des supports instables ou sur des surfaces ou des murs instables ou vibrants. Cela risque de l'endommager.
- Utilisez uniquement des outils à main pour installer le produit Axis car l'utilisation d'outils électriques ou l'usage excessif de la force pourraient l'endommager.
- Évitez d'exposer l'objectif de la caméra au soleil ou à toute autre source de radiation de haute intensité. Cela risque d'endommager le capteur.
- Pour le nettoyage, n'utilisez ni produits chimiques, ni substances caustiques ou aérosols. Utilisez un chiffon humide pour le nettoyage.
- N'utilisez que des accessoires conformes aux caractéristiques techniques du produit. Ceux-ci peuvent être fournis par Axis ou par un fournisseur tiers.
- Utilisez uniquement des pièces de rechange fournies ou recommandées par Axis.
- Ne tentez pas de réparer le produit vous-même, contactez Axis ou votre revendeur Axis pour toute réparation.

## IMPORTANT!

- Ce produit Axis doit être utilisé conformément aux lois et réglementations locales en vigueur.
- Pour pouvoir utiliser à l'extérieur des produits Axis prévus pour un usage intérieur, il faut les placer dans un boîtier d'extérieur homologué. Pour une utilisation en extérieur, installez des produits Axis d'extérieur ou visitez le site [www.axis.com](http://www.axis.com) pour obtenir plus d'informations sur les boîtiers d'extérieur et les autres accessoires.
- N'installez pas la caméra à proximité de sources de chaleur puisque les variations de température peuvent nuire à la qualité de l'image.
- Le produit Axis doit être installé par un professionnel qualifié. Veuillez respecter les réglementations nationales et locales concernant l'installation.

## Remplacement des piles

Ce produit Axis nécessite une pile au lithium CR2032 de 3 V pour l'alimentation de son horloge en temps réel interne. Dans des conditions normales d'utilisation, cette pile est censée durer au moins 5 ans. Si la pile est faible, le fonctionnement de l'horloge en temps réel peut être affecté et entraîner sa réinitialisation à chaque mise sous tension. Un message enregistré apparaît lorsque la pile doit être remplacée. Ne remplacez la pile qu'en cas de nécessité !

Si la pile doit être remplacée, veuillez contacter [www.axis.com/techsup](http://www.axis.com/techsup) pour obtenir de l'aide.

- Le remplacement incorrect de la pile peut entraîner un risque d'explosion.
- Remplacez la pile par une pile identique ou équivalente uniquement, en respectant les recommandations du fabricant.
- Jetez les piles usagées conformément aux consignes du fabricant.



# Série de caméras thermiques AXIS Q19

## Guide d'installation

Ce guide d'installation explique comment installer une AXIS Q1910/-E/Q1921/-E/Q1922/-E Caméra réseau thermique sur votre réseau. Pour toute autre question concernant l'utilisation du produit, reportez-vous au Manuel de l'utilisateur, que vous trouverez sur le CD joint ou sur le site [www.axis.com](http://www.axis.com).

### Étapes d'installation

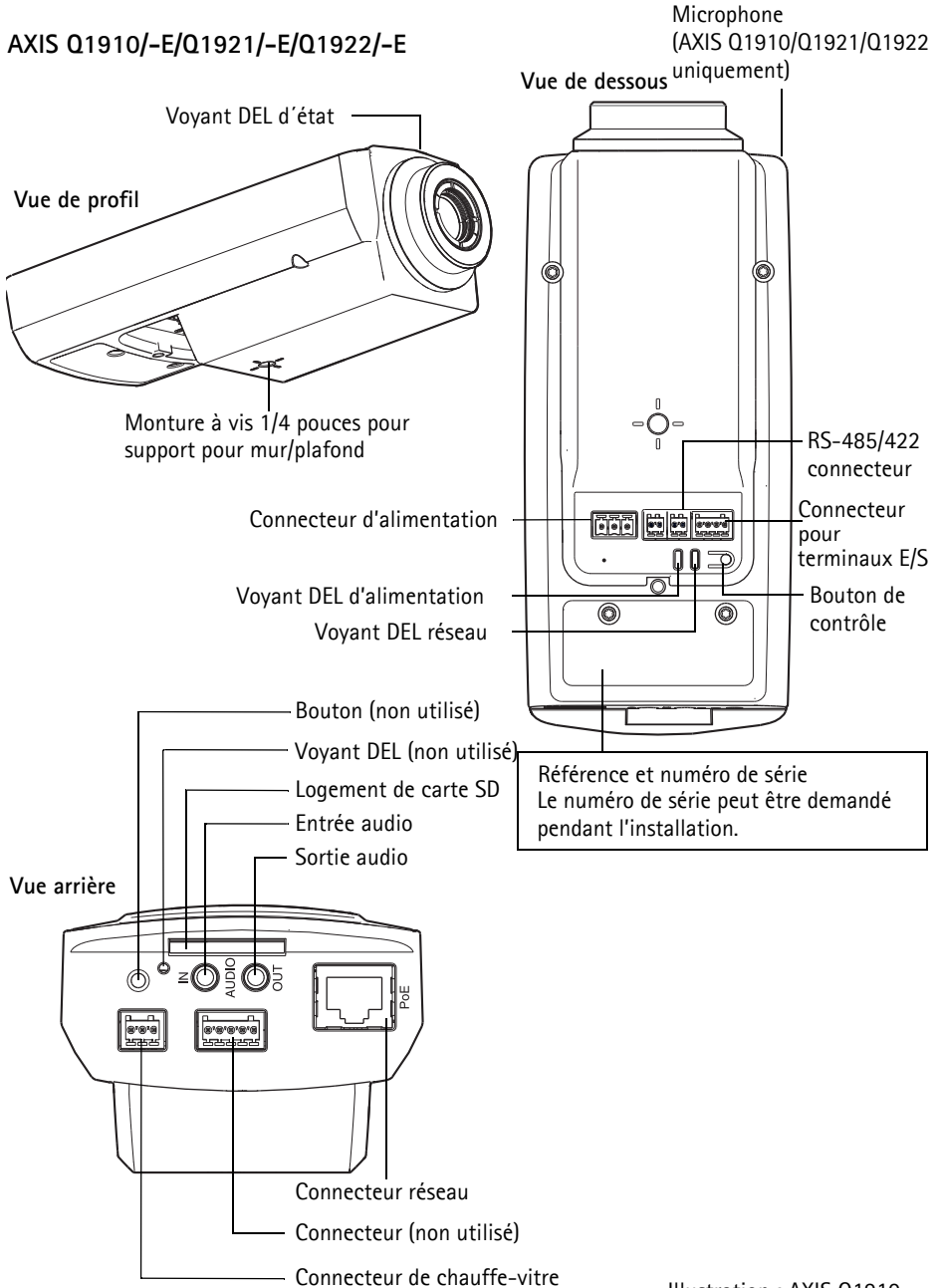
1. Vérification du contenu de l'emballage par rapport à la liste ci-dessous.
2. Aperçu du matériel. Reportez-vous à la page 26.
3. Installation du matériel.
  - Installation de l'AXIS Q1910/Q1921/Q1922. Reportez-vous à la page 32.
  - Installation de l'AXIS Q1910-E/Q1921-E/Q1922-E. Reportez-vous à la page 32.
  - Branchement des câbles. Reportez-vous à la page 34.
4. Attribution d'une adresse IP. Reportez-vous à la page 35.
5. Configuration du mot de passe. Reportez-vous à la page 38.

### 1 Contenu de l'emballage

Élément	Modèles/variantes/remarques
Caméra réseau	AXIS Q1910/-E (8.3 ips) AXIS Q1921/-E (8.3/30 ips) AXIS Q1922/-E (8.3/30 ips) <b>Remarque</b> : les fréquences d'image dépassant 9 ips peuvent être soumises au contrôle des exportations
Câble réseau	AXIS Q1910-E/Q1921-E/Q1922-E Câble réseau d'extérieur 5 m
Bornier de connexion	Bornier à 4 broches pour connecter les périphériques externes au connecteur pour terminaux d'E/S; Bornier à 3 broches pour l'alimentation; un bornier à 2 broches (2x) pour les connecteurs RS-485/422
Support de caméra	AXIS Q1910/Q1921/Q1922 Support métallique
Support mural	AXIS Q1910-E/Q1921-E/Q1922-E Support mural avec chemin de câble interne
Outils	AXIS Q1910-E/Q1921-E/Q1922-E Tournevis Torx T20 ; clef pour six pans creux (clef Allen)
CD	CD du produit de vidéo sur IP AXIS, comprenant la documentation, les outils d'installation et les autres logiciels
Documentation imprimée	Série de caméras thermiques AXIS Q19 Guide d'installation (le présent document) Gabarit de perçage Document de garantie d'Axis Étiquettes de numéro de série supplémentaires (2x) clé d'authentification AVHS
Accessoires en option	Consultez <a href="http://www.axis.com">www.axis.com</a> pour plus d'informations sur les accessoires disponibles.

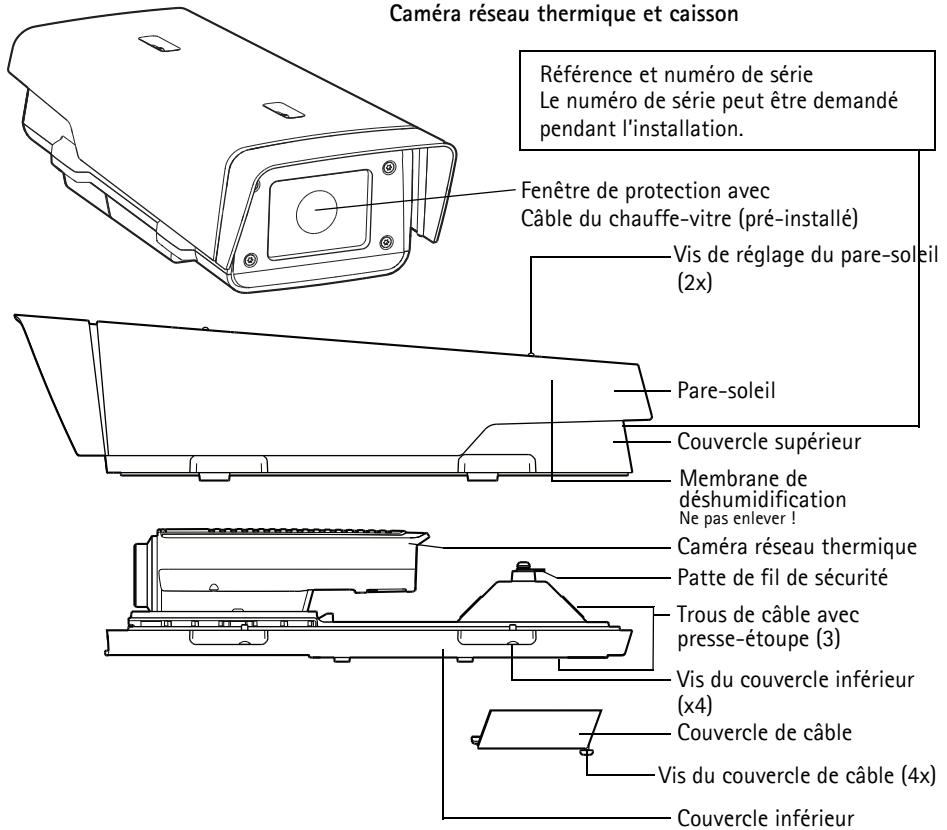
## 2 Vue d'ensemble du matériel

AXIS Q1910/-E/Q1921/-E/Q1922/-E



## AXIS Q1910-E/Q1921-E/Q1922-E

## Caméra réseau thermique et caisson



FRANÇAIS

## Support mural

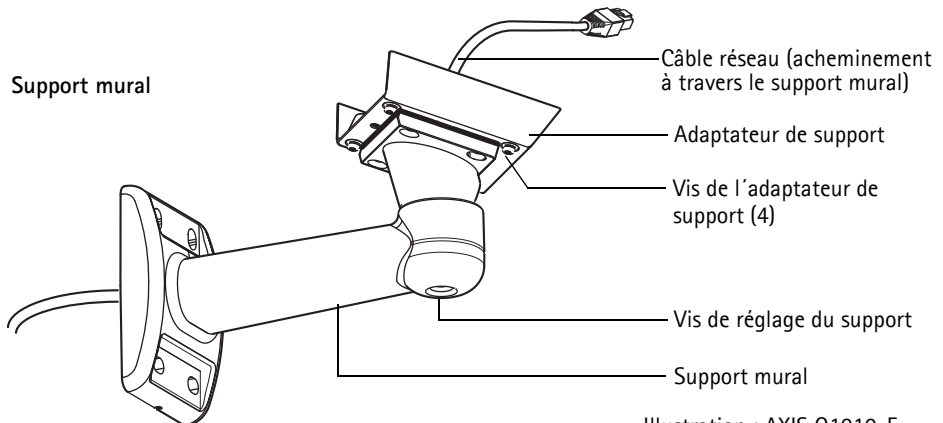


Illustration : AXIS Q1910-E

## Connecteurs de l'appareil

Réseau – Connecteur Ethernet RJ-45. PoE (alimentation par Ethernet, classe 3).

### Remarque :

Conformément aux réglementations locales et étant donné les conditions électriques et environnementales dans lesquelles le produit doit être utilisé, un câble réseau blindé (STP) peut convenir, voire être obligatoire. Les câbles réseau acheminés dans des environnements extérieurs ou similaires doivent être blindés (STP) et conçus pour cet usage spécifique. Assurez-vous que le commutateur réseau est correctement mis à la terre. Pour consulter les réglementations correspondantes, reportez-vous à la *Electromagnetic Compatibility (EMC)*.

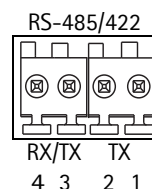
Entrée audio – 3.5 mm pour microphone mono ou signal mono avec entrée de haut niveau (le canal de gauche est utilisé pour le signal stéréo). Un microphone externe doit être utilisé pour la détection audio.

Sortie audio – 3.5 mm (niveau ligne) qui peut être connectée à un système de diffusion publique (PA) ou à un haut-parleur actif avec amplificateur intégré. Une paire d'écouteurs peut également être connectée. Un connecteur stéréo doit être utilisé pour la sortie audio.

RS-485/422 – Deux blocs terminaux à 2 broches pour l'interface série RS-485/422 utilisée pour le contrôle des équipements auxiliaires (appareils PTZ, etc.).

Le port série RS-485/422 peut être configuré dans les modes de port suivants :

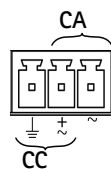
- Port semi-duplex RS-485 bidirectionnel pour la transmission de données à l'aide de deux fils, une paire RX/TX combinée.
- Port duplex RS-485 bidirectionnel pour la transmission de données à l'aide de quatre fils, une paire RX et une paire TX.
- Port RS-422 unidirectionnel pour la transmission ou la réception de données à l'aide de deux fils, une paire RX ou TX.
- Port duplex RS-422 bidirectionnel pour la transmission de données (point à point) à l'aide de quatre fils, une paire RX et une paire TX.



Fonction	Broche	Remarques
RS 485/422TX(A)	1	Paire TX pour RS-422 et RS-485 à 4 fils
RS 485/422TX(B)	2	
RS-485A alt RS-485/422RX(A)	3	Paire RX pour tous les modes (RX/TX combiné pour RS-485 à 2 fils)
RS-485B alt RS-485/422RX(B)	4	

Logement de carte SD – Une carte SD standard ou haute capacité (non fournie) est requise pour stocker des images en local sur la caméra.

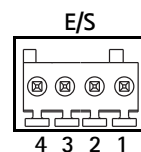
**Alimentation** – Connecteur à 3 broches utilisé pour la puissance d'entrée. Utilisez une source à puissance limitée, comme un adaptateur secteur, dont la puissance de sortie nominale ne dépasse ni 100W ni 5A. Si la tension d'entrée du produit Axis est inférieure à 20 V, le courant provenant de l'adaptateur secteur sera limité à  $\leq 5$  A. Si l'adaptateur secteur a une tension de sortie supérieure à 20 V, sa puissance de sortie sera limitée à  $\leq 100$  W.



Modèle	Exigences d'alimentation CC	Exigences d'alimentation CA
AXIS Q1910	8-20 V CC, max. 10 W	20-24 V CA, 50/60 Hz, max. 15 VA
AXIS Q1910-E	8-20 V CC, max. 13 W	20-24 V CA, 50/60 Hz, max. 18 VA
AXIS Q1921	8-20 V CC, max. 7 W	20-24 V CA, 50/60 Hz, max. 13 VA
AXIS Q1921-E	8-20 V CC, max. 12 W	20-24 V CA, 50/60 Hz, max. 18 VA
AXIS Q1922	8-20 V CC, max. 9 W	20-24 V CA, 50/60 Hz, max. 14 VA
AXIS Q1922-E	8-20 V CC, max. 13 W	20-24 V CA, 50/60 Hz, max. 20 VA

**ATTENTION !** - Un raccord incorrect des fils risque d'endommager la caméra.

**Connecteur pour terminaux d'E/S** – Utilisé dans le cadre d'applications telles que la détection de mouvement, le déclenchement d'événements, l'enregistrement à intervalles et les notifications d'alarme. En plus d'une alimentation auxiliaire et d'une broche GND, la caméra réseau possède 2 broches qui peuvent être configurées comme entrées ou sorties. Ces broches assurent l'interface avec :

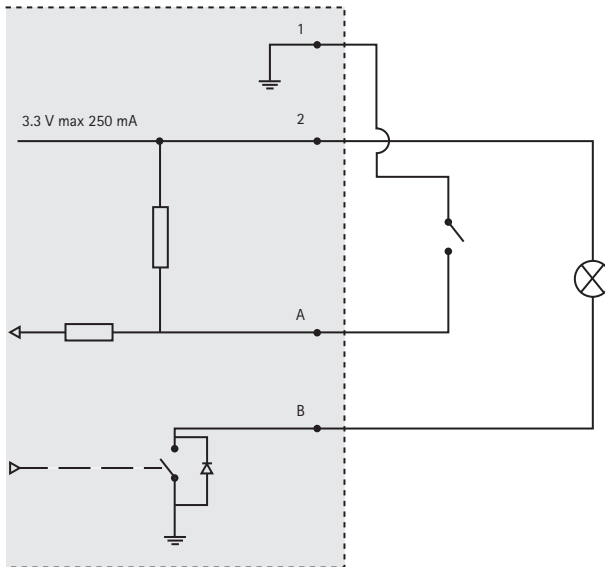


- **Sortie du transistor** : permet de connecter des périphériques externes, comme des relais ou des voyants DEL. Les périphériques connectés peuvent être activés par l'AXIS VAPIX API, à l'aide des boutons de sortie sur la page **Live View (Vidéo en direct)** ou par un **type d'événement**. La sortie est considérée comme étant active (ce qui est visible dans **Events (Événements)** > **Port Status (État du port)**) si le dispositif d'alarme est activé.

- Entrée numérique : entrée d'alarme utilisée pour connecter des périphériques pouvant passer d'un circuit ouvert à un circuit fermé, par exemple : détecteurs infrarouges passifs, contacts de porte/fenêtre, détecteurs de bris de verre, etc. Lorsqu'un signal est reçu, l'état change et l'entrée devient active (sous Events (Événements) > Port Status (État du port)).

Fonction	Numéro de broche	Remarques	Caractéristiques techniques
GND (Terre)	1	Mise à la terre	
3.3 V CC d'alimentation	2	Peut servir à alimenter le matériel auxiliaire. Remarque : Cette broche ne peut être utilisée que comme sortie d'alimentation.	Charge maximale = 250 mA
Configurable (entrée ou sortie)	3 - 4	Entrée numérique : connectez-la à la terre pour l'activer ou laissez-la flotter (ou déconnectée) pour la désactiver.	de 0 à + 40 V CC
		Sortie numérique : connexion interne à la terre lorsqu'activée, flottante (déconnectée) lorsque désactivée. Si vous l'utilisez avec une charge inductive, par exemple un relais, une diode doit être connectée en parallèle avec la charge, en guise de protection contre les tensions transitoires.	Charge max. = 100 mA Tension maximale = + 40 V CC

## Schéma de connexion



## Voyants DEL

Voyant DEL	Couleur	Indication
Réseau	Vert	Continu en cas de connexion à un réseau de 100 Mbit/s. Clignote en cas d'activité réseau.
	Orange	Continu en cas de connexion à un réseau de 10 Mbit/s. Clignote en cas d'activité réseau.
	Éteint	Pas de connexion au réseau.
État	Vert	Vert continu en cas de fonctionnement normal. Remarque : Le voyant DEL de situation peut être configuré pour être éteint pendant le fonctionnement normal ou pour clignoter uniquement en cas d'accès à la caméra. Pour ce faire, cliquez sur <b>Setup (Configuration) &gt; System Options (Options système) &gt; LED (DEL)</b> . Reportez-vous à l'aide en ligne pour plus d'informations.
	Orange	En continu pendant le démarrage, la réinitialisation des paramètres d'usine par défaut ou la restauration des paramètres.
	Rouge	Clignote lentement en cas d'échec de la mise à niveau.
Alimentation	Vert	Fonctionnement normal.
	Orange	Le voyant vert/orange clignote pendant la mise à niveau des micrologiciels.

### 3 Installation du matériel

Pour une utilisation à l'extérieur, veuillez installer AXIS Q1910-E/Q1921-E/Q1922-E, ou visitez le site [www.axis.com](http://www.axis.com) obtenir pour plus d'informations sur le caisson d'extérieur et les autres accessoires.

#### Installation AXIS Q1910/Q1921/Q1922

Les instructions ci-dessous décrivent l'installation de la caméra AXIS Q1910/Q1921/Q1922.

1. Fixez le support en métal sur la caméra et assurez-vous que les vis et les fiches sont adaptés au matériau (par exemple du bois, du métal, du carton-plâtre, de la pierre).
2. Pour brancher les câbles, reportez-vous à *Branchement des câbles*, page 34.

#### Installation AXIS Q1910-E/Q1921-E/Q1922-E

Les instructions ci-dessous décrivent l'installation de la caméra AXIS Q1910-E/Q1921-E/Q1922-E.

#### Installation du support mural

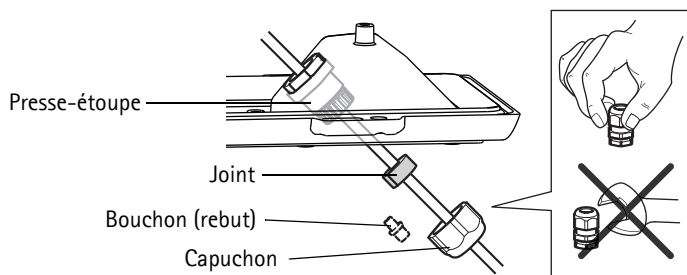
1. Préparez le mur de montage pour installer le support mural à l'aide du gabarit de perçage fourni.
2. Acheminez le câble réseau en le faisant passer au travers du support mural et de l'adaptateur du support. Laissez environ 30 cm de câble pour la connexion de la caméra.
3. Fixez le support mural au mur et assurez-vous que les vis et les fiches sont adaptées au matériau (par exemple bois, métal, carton-plâtre, pierre).

#### Remarques :

- Assurez-vous que le matériau est suffisamment solide pour supporter le poids de la caméra.
- Pour d'autres spécifications techniques, reportez-vous au Manuel de l'utilisateur, que vous trouverez sur le CD joint ou sur le site [www.axis.com](http://www.axis.com).

#### Acheminez le câble réseau à travers le trou prévu pour le passage du câble

1. Desserrez les vis du couvercle de câble pour pouvoir le détacher du couvercle inférieur.



2. Retirez le capuchon, le bouchon et le joint du presse-étoupe à utiliser.
3. Acheminez le câble réseau dans le capuchon.



4. Insérez le câble réseau dans la fente du joint afin de fixer le joint au câble réseau. Reportez-vous à la *Connecteurs de l'appareil*, page 28 pour plus d'informations sur les exigences portant sur le câble réseau.
5. Acheminez le câble réseau à travers le presse-étoupe.
6. Enfoncez le joint dans le presse-étoupe et vissez le capuchon fermement.

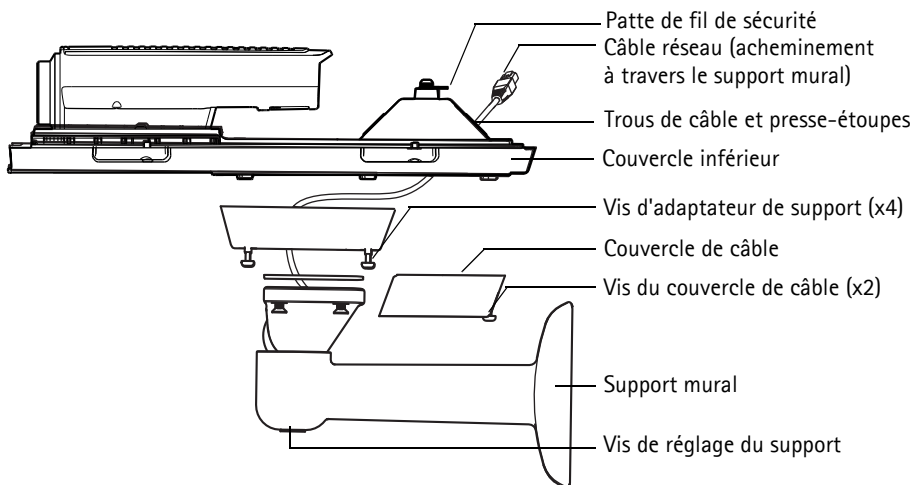
**Remarque :**

L'utilisation d'un presse-étoupe autre que celui fourni risque d'entraîner une infiltration d'eau et d'endommager le produit. Les câbles doivent avoir un diamètre de 4,0 mm - 5,5 mm.

### Fixation de la caméra au support mural

1. Disposez la caméra avec le couvercle inférieur sur le support et serrez les vis de l'adaptateur de support.
2. Remplacez le couvercle de câble, puis serrez les vis.
3. Pour brancher les câbles, reportez-vous à *Branchement des câbles*, page 34.

**Remarque :** Si vous utilisez plus d'un câble, chaque câble doit être acheminé au travers d'un presse-étoupe distinct. Pour cela reportez-vous à *Acheminez le câble réseau à travers le trou prévu pour le passage du câble*, page 32.



4. Desserrez la vis de réglage du support afin d'orienter la caméra dans la direction voulue et effectuez la mise au point de la caméra si nécessaire. Pour cela, reportez-vous à *Focus ajustement (Réglage de la mise au point) : AXIS Q1921/-E/Q1922/-E*, page 40. Reportez-vous à *Accès au flux de données vidéo*, page 39 pour savoir comment voir le flux de données vidéo.
5. Attachez le fil de sécurité à la patte sur le couvercle inférieur.
6. Raccordez le câble du chauffe-vitre au connecteur de chauffe-vitre sur la caméra.

7. Fixez le couvercle supérieur au couvercle inférieur. Assurez-vous de serrer les vis opposées en diagonale du couvercle inférieur de quelques tours jusqu'à ce qu'elles soient bien serrées. Cela permettra de garantir que le joint du couvercle inférieur est compressé de façon régulière.
8. Desserrez les vis de réglage du pare-soleil de manière à pouvoir ajuster ce dernier et à le mettre dans la position souhaitée.

## Branchement des câbles



1. Si vous le souhaitez, insérez une carte SD (non fournie) dans le logement de carte SDHC (Secure Digital High Capacity). Une carte SD standard ou haute capacité est requise pour stocker des images en local sur la caméra.
2. Si vous le souhaitez, connectez des périphériques d'entrée/de sortie externes. Reportez-vous à la page 43 pour plus d'informations sur les broches du connecteur pour terminaux.
3. Si vous le souhaitez, branchez un haut-parleur actif et/ou un micro externe.
4. Connectez la caméra au réseau.
5. Branchez l'alimentation en suivant l'une des méthodes décrites ci-dessous :
  - PoE (alimentation par Ethernet, classe 3). Si elle est disponible, elle est automatiquement détectée quand le câble réseau est connecté.
  - Branchez un adaptateur secteur externe sur le bornier de connexion d'alimentation. Voir *Rétablissement des paramètres d'usine par défaut*, page 43 pour toute information sur le câblage.
6. Vérifiez que les voyants DEL indiquent que tout fonctionne correctement. Pour plus d'informations, reportez-vous au tableau de la page 31.

## 4 Attribution d'une adresse IP

Aujourd'hui, la plupart des réseaux comportent un serveur DHCP qui attribue automatiquement des adresses IP aux périphériques connectés. Si vous n'avez pas de serveur DHCP sur le réseau, la caméra utilisera l'adresse IP par défaut 192.168.0.90.

Si vous souhaitez affecter une adresse IP statique, sous Windows nous recommandons l'utilisation de l'application **AXIS IP Utility** ou de l'application **AXIS Camera Management**. Utilisez la méthode qui vous convient le mieux en fonction du nombre de caméras à installer.

Ces deux applications gratuites sont disponibles sur le CD de la caméra vidéo Axis fourni avec ce produit. Vous pouvez également les télécharger à partir du site [www.axis.com/techsup](http://www.axis.com/techsup).

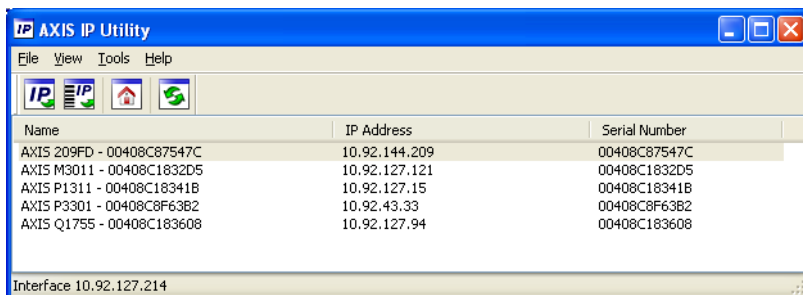
Méthode	Recommandée pour	Système d'exploitation
 <b>AXIS IP Utility</b> Voir page 35	Une seule caméra Petites installations	Windows
 <b>Logiciel AXIS Camera Management</b> Voir page 36	Plusieurs caméras Grandes installations Installation sur un autre sous-réseau	Windows 2000 Windows XP Pro Windows 2003 Server Windows Vista Windows 7

### Remarques :

- En cas d'échec de l'attribution de l'adresse IP, vérifiez qu'aucun pare-feu ne bloque l'opération.
- Pour connaître les autres méthodes d'affectation ou de repérage de l'adresse IP, par exemple sur d'autres systèmes d'exploitation, reportez-vous à la page 41.

## AXIS IP Utility – Une seule caméra/petite installation

AXIS IP Utility détecte et affiche automatiquement les périphériques présents sur votre réseau. Cette application peut également être utilisée pour attribuer manuellement une adresse IP statique.




Notez que l'ordinateur exécutant l'application AXIS IP Utility doit se trouver sur le même segment de réseau (sous-réseau physique) que la caméra réseau.

## Détection automatique

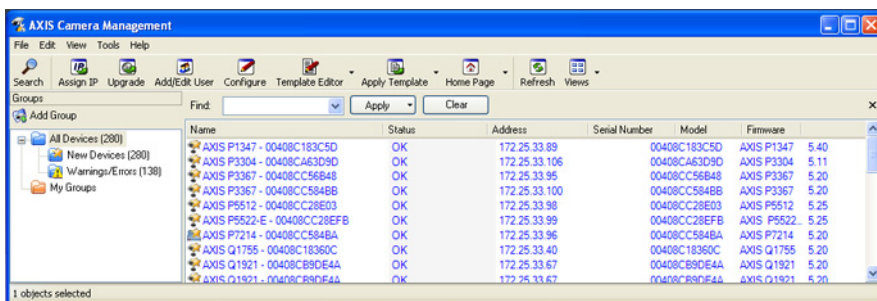
1. Vérifiez que la caméra réseau est connectée au réseau et qu'elle est sous tension.
2. Lancez AXIS IP Utility.
3. Lorsque l'icône de la caméra apparaît dans la fenêtre, cliquez deux fois dessus pour ouvrir la page d'accueil correspondante.
4. Reportez-vous à la page 38 pour savoir comment définir le mot de passe.

## Attribution manuelle de l'adresse IP (facultatif)

1. Trouvez une adresse IP non utilisée sur le même segment de réseau que celui de votre ordinateur.
2. Sélectionnez la caméra réseau dans la liste.
3. Cliquez sur le bouton **Assign new IP address to the selected device (Attribuer une nouvelle adresse IP au périphérique sélectionné)**  puis saisissez l'adresse IP.
4. Cliquez sur **Assign (Attribuer)** et suivez les instructions à l'écran. La caméra doit être redémarrée dans les 2 minutes qui suivent pour que la nouvelle adresse IP soit prise en compte.
5. Cliquez sur le bouton **Home Page (Page d'accueil)** pour accéder aux pages Web de la caméra.
6. Reportez-vous à la page 38 pour savoir comment configurer le mot de passe.

## AXIS Camera Management – Plusieurs caméras/grandes installations


AXIS Camera Management est capable de détecter automatiquement plusieurs périphériques Axis, d'afficher leur état de connexion, de gérer les mises à niveau des micrologiciels et de définir les adresses IP.



## Détection automatique

1. Vérifiez que la caméra réseau soit bien connectée au réseau et qu'elle se trouve sous tension.
2. Lancez AXIS Camera Management. Lorsque l'icône de la caméra réseau apparaît dans la fenêtre, cliquez dessus à l'aide du bouton droit de la souris et sélectionnez **Live View Home Page (Vidéo en direct Page d'accueil)**.
3. Reportez-vous à la page 38 pour savoir comment définir le mot de passe.


## Attribution d'une adresse IP à une seule caméra

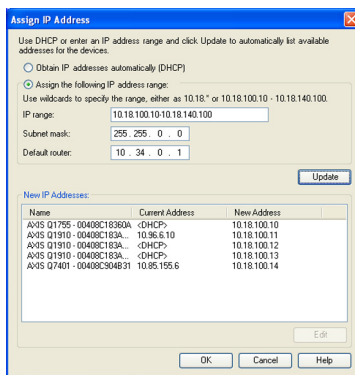
1. Sélectionnez la caméra réseau dans l'application AXIS Camera Management, puis cliquez sur le bouton Assign IP (Attribuer une adresse IP). 
2. Sélectionnez Assign the following IP address (Attribuer l'adresse IP suivante) et saisissez l'adresse IP, le masque de sous-réseau et le routeur par défaut que le périphérique utilisera.
3. Cliquez sur OK.



## Attribution d'adresses IP à plusieurs périphériques

AXIS Camera Management accélère le processus d'attribution d'adresses IP à plusieurs périphériques en suggérant des adresses IP parmi une plage spécifiée.

1. Sélectionnez les périphériques à configurer (il peut s'agir de plusieurs modèles), puis cliquez sur le bouton Assign IP (Attribuer une adresse IP). 
2. Sélectionnez Assign the following IP address (Attribuer l'adresse IP suivante) et saisissez plage d'adresses IP, le masque de sous-réseau et le routeur par défaut que les périphériques utiliseront.
3. Cliquez sur Update (Actualiser). Les adresses IP suggérées sont énumérées sous New IP Addresses (Nouvelles adresses IP) et peuvent être modifiées en sélectionnant le périphérique et en cliquant sur Edit (Mettre à jour).
4. Cliquez sur OK.



## 5 Configuration du mot de passe

Pour accéder au produit, le mot de passe par défaut de l'administrateur **root** doit être configuré. Cette opération s'effectue dans la boîte de dialogue « **Configure Root Password (Configurer le mot de passe root)** », qui s'affiche lors du premier accès à la caméra réseau.

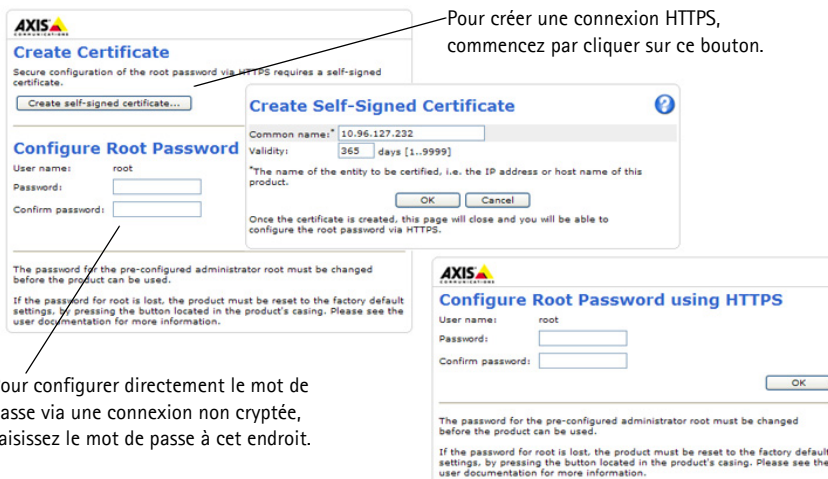
Pour éviter les écoutes électroniques lors de la configuration du mot de passe **root**, utilisez une connexion HTTPS cryptée requérant un certificat HTTPS.

**Remarque :** Le protocole HTTPS (Hypertext Transfer Protocol over Secure Socket Layer) est utilisé pour crypter le trafic entre les navigateurs Web et les serveurs. Le certificat HTTPS contrôle l'échange crypté des informations.

Pour configurer le mot de passe avec une connexion HTTP standard, saisissez directement le mot de passe dans la première boîte de dialogue représentée ci-dessous.

Pour configurer le mot de passe avec une connexion HTTPS cryptée, procédez comme suit :

1. Cliquez sur le bouton **Create self-signed certificate (Créer un certificat autosigné)**.
2. Saisissez les informations demandées, puis cliquez sur **OK**. Le certificat est créé. Vous pouvez à présent configurer le mot de passe en toute sécurité. Tout le trafic vers et depuis la caméra réseau est désormais crypté.
3. Saisissez un mot de passe, puis saisissez-le à nouveau pour le confirmer. Cliquez sur **OK**. Le mot de passe est à présent configuré.



4. Pour vous connecter, saisissez « **root** » comme nom d'utilisateur dans la boîte de dialogue lorsque vous y êtes invité.

**Remarque :** Le nom d'utilisateur de l'administrateur par défaut est **root** et il ne peut pas être supprimé.

5. Saisissez le mot de passe de la manière indiquée ci-dessus et cliquez sur **OK**.

**Remarque :** Si vous avez oublié votre mot de passe, vous devrez rétablir les paramètres d'usine par défaut de votre caméra. Reportez-vous à la page 43.

## Accès au flux de données vidéo

La page Live View (Vidéo en direct) de la caméra réseau s'affiche, avec des liens vers les outils de configuration, lesquels vous permettent d'adapter la caméra à vos besoins.

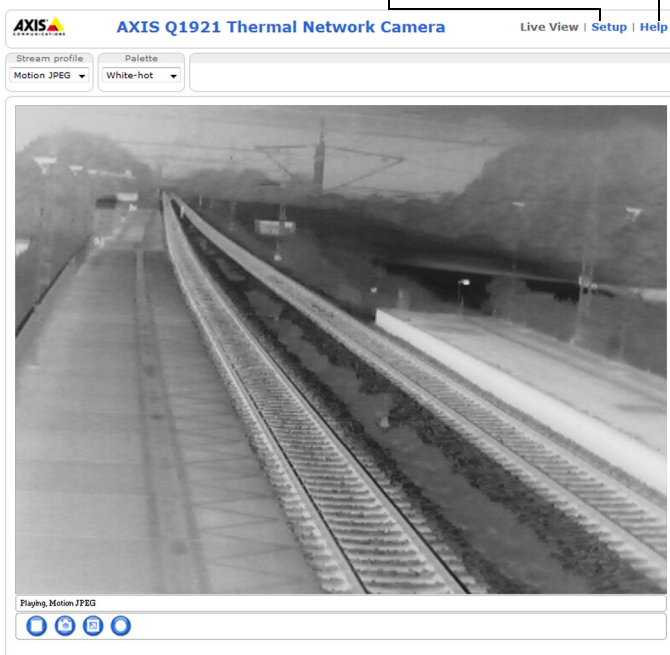
Si nécessaire, cliquez sur **Yes (Oui)** pour installer AMC (AXIS Media Control) afin de pouvoir visualiser le flux de données vidéo dans Internet Explorer. Pour ce faire, vous devez être connecté à l'ordinateur avec des droits d'administrateur.

Si nécessaire, cliquez sur le lien pour installer les décodeurs manquants.

**Remarque :** Pour installer AMC sous Windows Vista et Windows 7, vous devez exécuter Internet Explorer en tant qu'administrateur. Cliquez avec le bouton droit de la souris sur l'icône Internet Explorer et sélectionnez Run as administrator (Exécuter en tant qu'administrateur).

**Setup (Configuration) :** contient tous les outils nécessaires pour configurer la caméra en fonction de vos besoins.

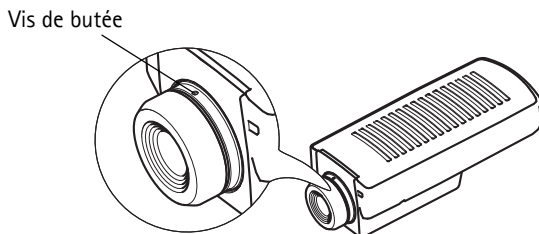
**Help (Aide) :** affiche l'aide en ligne sur tout ce qui a trait à l'utilisation de la caméra.



## Focus adjustment (Réglage de la mise au point) : AXIS Q1921/-E/ Q1922/-E

Si nécessaire, suivez ces instructions pour régler la mise au point de la AXIS Q1921/-E/Q1922/-E :

1. Dévissez la vis de butée de l'objectif à l'aide d'un tournevis pour écrous à fente de 1,8 mm.



2. Procédez à la mise au point de la caméra à la distance requise. Consultez le tableau ci-après pour les distances de mise au point recommandées, afin d'obtenir la mise au point optimale autant pour la mise au point approximative que pour la mise au point fixe.

Objectif	10 mm	19 mm	35 mm	60 mm
AXIS Q1921/-E	2 m (6,6 pi)	8 m (26,2 pi)	22 m (72,2 pi)	60 m (196,9 pi)
AXIS Q1921/-E	3 m (9.8 pi)	10 m (32.8 pi)	33 m (108.2 pi)	90 m (295.3 pi)

3. Fixez la vis de butée.

### Remarque :

La AXIS Q1910/-E est équipée d'un objectif dont la mise au point est fixe et ne peut pas être réglée.



## Autres méthodes de définition de l'adresse IP

Le tableau ci-dessous indique les autres méthodes permettant de configurer ou de détecter l'adresse IP. Toutes les méthodes sont activées par défaut et peuvent être désactivées.

	Utilisation sous le système d'exploitation	Remarques
UPnP™ (Universal Plug and Play)	Windows	Lorsque la caméra est activée sur votre ordinateur, elle est détectée et ajoutée automatiquement au dossier « My Network Places » (Favoris réseau).
Bonjour	MAC OSX (10.4 ou version ultérieure)	Applicables aux navigateurs prenant en charge Bonjour. Accédez au signet de Bonjour dans votre navigateur (p. ex. Safari), puis cliquez sur le lien permettant d'accéder aux pages Web de la caméra.
AXIS Dynamic DNS Service	Tous	Service Axis gratuit permettant d'installer rapidement et facilement votre caméra. Nécessite une connexion Internet sans proxy HTTP. Pour plus d'informations, rendez-vous sur <a href="http://www.axiscam.net">www.axiscam.net</a> .
ARP/Ping	Tous	Voir ci-dessous. La commande doit être saisie dans les 2 minutes suivant la mise sous tension de la caméra.
Serveur DHCP	Tous	Pour consulter les pages administratives du serveur DHCP réseau, reportez-vous à la documentation du serveur.

### AXIS Video Hosting System (AVHS)

Vous pouvez également connecter la caméra à un service AVHS pour les vidéos hébergées. Si vous vous êtes inscrit à un service AVHS, suivez les instructions décrites dans le Guide d'installation du fournisseur de service. Pour plus d'informations et pour vous aider à trouver un fournisseur local de service AVHS, rendez-vous sur [www.axis.com/hosting](http://www.axis.com/hosting).

Une clé d'authentification du propriétaire de la caméra est fournie avec ce produit. Elle est associée au numéro de série (S/N) unique de la caméra, comme indiqué en haut de l'étiquette.

#### Remarque :

Enregistrez la clé pour référence ultérieure.

## Définition de l'adresse IP à l'aide d'ARP/Ping

1. Trouvez une adresse IP sur le même segment de réseau que celui de votre ordinateur.
2. Repérez le numéro de série (S/N) sur l'étiquette de la caméra.
3. Ouvrez une invite de commandes sur votre ordinateur et saisissez les commandes suivantes :

<b>Syntaxe pour Windows :</b>	Exemple pour Windows :
arp -s <Adresse IP> <Numéro de Série> ping -l 408 -t <adresse IP>	ARP -s 192.168.0.125 00-40-8c-18-10-00 ping -l 408 -t 192.168.0.125
<b>Syntaxe pour UNIX/Linux/Mac :</b>	Exemple pour UNIX/Linux/Mac :
ARP -s <Adresse IP> <Numéro de série> temp ping -s 408 <adresse IP>	ARP -s 192.168.0.125 00:40:8c:18:10:00 temp ping -s 408 192.168.0.125

4. Vérifiez que le câble réseau est connecté à la caméra puis démarrez/redémarrez cette dernière en débranchant puis en rebranchant l'alimentation.
5. Fermez la commande d'invite quand vous voyez « Reply from 192.168.0.125:...' (Réponse de 192.168.0.125 :) ...' ou un message similaire s'affiche.
6. Dans votre navigateur, saisissez `http://<Adresse IP>` dans le champ Emplacement/Adresse, puis appuyez sur la touche Entrée de votre clavier.

### Remarques :

- Pour ouvrir une invite de commandes sous Windows : dans le menu Démarrer, sélectionnez Exécuter... puis tapez cmd. Cliquez sur OK.
- Pour utiliser la commande ARP sous Windows Vista, cliquez avec le bouton droit de la souris sur l'icône d'invite de commande et sélectionnez **Exécuter en tant qu'administrateur**.
- Pour utiliser la commande ARP sous Mac OS X, utilisez l'utilitaire Terminal dans Application > Utilitaires.

## Rétablissement des paramètres d'usine par défaut

Procédez comme suit pour rétablir tous les paramètres d'usine par défaut, y compris l'adresse IP :

1. Mettez la caméra hors tension.
2. Maintenez le bouton de commande enfoncé et remettez la caméra sous tension.
3. Appuyez sur le bouton de commande jusqu'à ce que l'indicateur d'état passe à l'orange (cela peut prendre jusqu'à 15 secondes).
4. Relâchez le bouton de commande. Lorsque le voyant d'état émet une lumière verte (ce qui peut prendre 1 minute), les paramètres par défaut de la caméra ont été rétablis.
5. Attribuez à nouveau l'adresse IP à l'aide de l'une des méthodes décrites dans ce document.

Il est également possible de rétablir les paramètres d'usine par défaut via l'interface Web. Pour plus d'informations, reportez-vous à l'aide en ligne ou au manuel de l'utilisateur.

## Accès à la caméra par Internet

Une fois installée, votre caméra réseau est accessible sur votre réseau local (LAN). Pour accéder à la caméra via Internet, les routeurs réseau doivent être configurés de manière à autoriser le trafic entrant, ce qui est généralement réalisé sur un port spécifique.

- Le port HTTP (port 80 par défaut) pour l'affichage et la configuration
- Le port RTSP (port 554 par défaut) pour l'affichage des flux de données vidéo H.264

Pour plus d'informations, veuillez vous reporter à la documentation du routeur. Pour plus d'informations à ce sujet ou pour toute autre question, consultez la page d'assistance technique d'Axis à l'adresse suivante [www.axis.com/techsup](http://www.axis.com/techsup).

## Plus d'informations

Le manuel de l'utilisateur est disponible sur le site Web d'Axis ([www.axis.com](http://www.axis.com)) et sur le CD du produit de vidéo sur IP Axis fourni avec ce produit.

### Conseil

Consultez le site [www.axis.com/techsup](http://www.axis.com/techsup) pour vérifier si des microprogrammes à jour sont disponibles pour votre caméra réseau. Pour connaître la version du micrologiciel actuellement installée, reportez-vous à la page Setup (Configuration) > About (À propos de).

### Pour en savoir plus

Visitez le centre d'apprentissage en ligne d'Axis sur le site [www.axis.com/academy](http://www.axis.com/academy) pour en savoir plus sur les formations, les webinaires, les tutoriels et les guides.

# Sicherheitsvorkehrungen

Bitte lesen Sie zunächst diese Installationsanleitung vollständig durch, bevor Sie mit der Installation Ihres Produkts beginnen. Halten Sie die Installationsanleitung bereit, falls Sie darauf zurückgreifen müssen.

## VORSICHT!

- Transportieren Sie das Axis-Produkt nur in der Originalverpackung bzw. in einer vergleichbaren Verpackung, damit das Produkt nicht beschädigt wird.
- Lagern Sie das Axis-Produkt in einer trockenen und belüfteten Umgebung. Beachten Sie die Lagerungs- und Betriebstemperatur, die im Benutzerhandbuch angegeben ist. Das Benutzerhandbuch steht auf der mitgelieferten CD oder auf unserer Website unter „[www.axis.com](http://www.axis.com)“ zur Verfügung.
- Achten Sie darauf, dass das Axis-Produkt keinen Erschütterungen, Stößen oder starkem Druck ausgesetzt ist und montieren Sie das Produkt nicht auf instabilen Halterungen oder auf instabilen und vibrierenden Oberflächen oder Wänden. Dies könnte zu Beschädigungen des Produkts führen.
- Verwenden Sie keine elektrischen Werkzeuge zur Montage des Axis-Produkts, da diese das Produkt beschädigen könnten.
- Richten Sie das Kameraobjektiv nicht zur Sonne oder zu anderen hochintensiven Strahlungsquellen aus, da dies zu Beschädigungen des Sensors führen könnte.
- Verwenden Sie keine chemischen, ätzenden oder aerosolhaltigen Reinigungsmittel. Verwenden Sie zur Reinigung ein feuchtes Tuch.
- Verwenden Sie nur Zubehör, das den technischen Spezifikationen des Produkts entspricht. Dieses ist von Axis oder Drittanbietern erhältlich.
- Verwenden Sie nur Ersatzteile, die von Axis empfohlen bzw. bereitgestellt wurden.
- Versuchen Sie nicht, das Produkt selbst zu reparieren. Wenden Sie sich bei Service-Angelegenheiten an Axis oder an Ihren Axis-Händler.

## WICHTIG!

- Verwenden Sie dieses Axis-Produkt unter Beachtung der geltenden rechtlichen Bestimmungen.
- Um Axis-Produkte für Innenräume im Freien zu verwenden, müssen sie in einem zugelassenen Außengehäuse installiert werden. Installieren Sie für den Außeneinsatz geeignete Axis Produkte oder informieren Sie sich auf unserer Website unter „[www.axis.com](http://www.axis.com)“ über Außengehäuse und anderes für den Außeneinsatz geeignetes Zubehör.
- Montieren Sie die Kamera nicht in der Nähe von Wärmequellen, da Temperaturschwankungen die Bildqualität beeinträchtigen können.
- Das Axis Produkt sollte nur von geschultem Fachpersonal installiert werden. Beachten Sie bei der Montage die geltenden nationalen und lokalen Bestimmungen.

## Batteriewechsel

Dieses Axis-Produkt ist mit einer 3,0 V CR2032 Lithium-Batterie ausgestattet, mit der die interne Echtzeituhr (RTC) versorgt wird. Unter normalen Bedingungen hält die Batterie mindestens 5 Jahre. Bei entladener Batterie ist der Betrieb der Echtzeituhr nicht mehr ausreichend gewährleistet, sodass die Uhr bei jedem Systemstart zurückgesetzt wird. Sie erhalten eine Protokollnachricht, wenn ein Batteriewechsel erforderlich ist. Die Batterie sollte erst bei Bedarf gewechselt werden.

Unter [www.axis.com/techsup](http://www.axis.com/techsup) finden Sie Informationen darüber, was Sie beim Austausch der Batterie beachten müssen.

- Explosionsgefahr bei fehlerhaftem Batteriewechsel!
- Die Batterie muss durch dasselbe oder ein gleichwertiges Fabrikat ersetzt werden, das vom Hersteller zugelassen ist.
- Verbrauchte Batterien sind gemäß Herstelleranweisungen zu entsorgen.

# AXIS Q19 Wärmebildkamera-Reihe

## Installationsanleitung

In dieser Anleitung wird die Installation einer AXIS Q1910/-E/Q1921/-E/Q1922/-E Wärmebild-Netzwerk-Kamera in einem Netzwerk beschrieben. Alle weiteren Hinweise zur Verwendung des Produkts finden Sie im Benutzerhandbuch, das auf der mitgelieferten CD oder auf unserer Website unter „www.axis.com“ zur Verfügung steht.

### Installationschritte

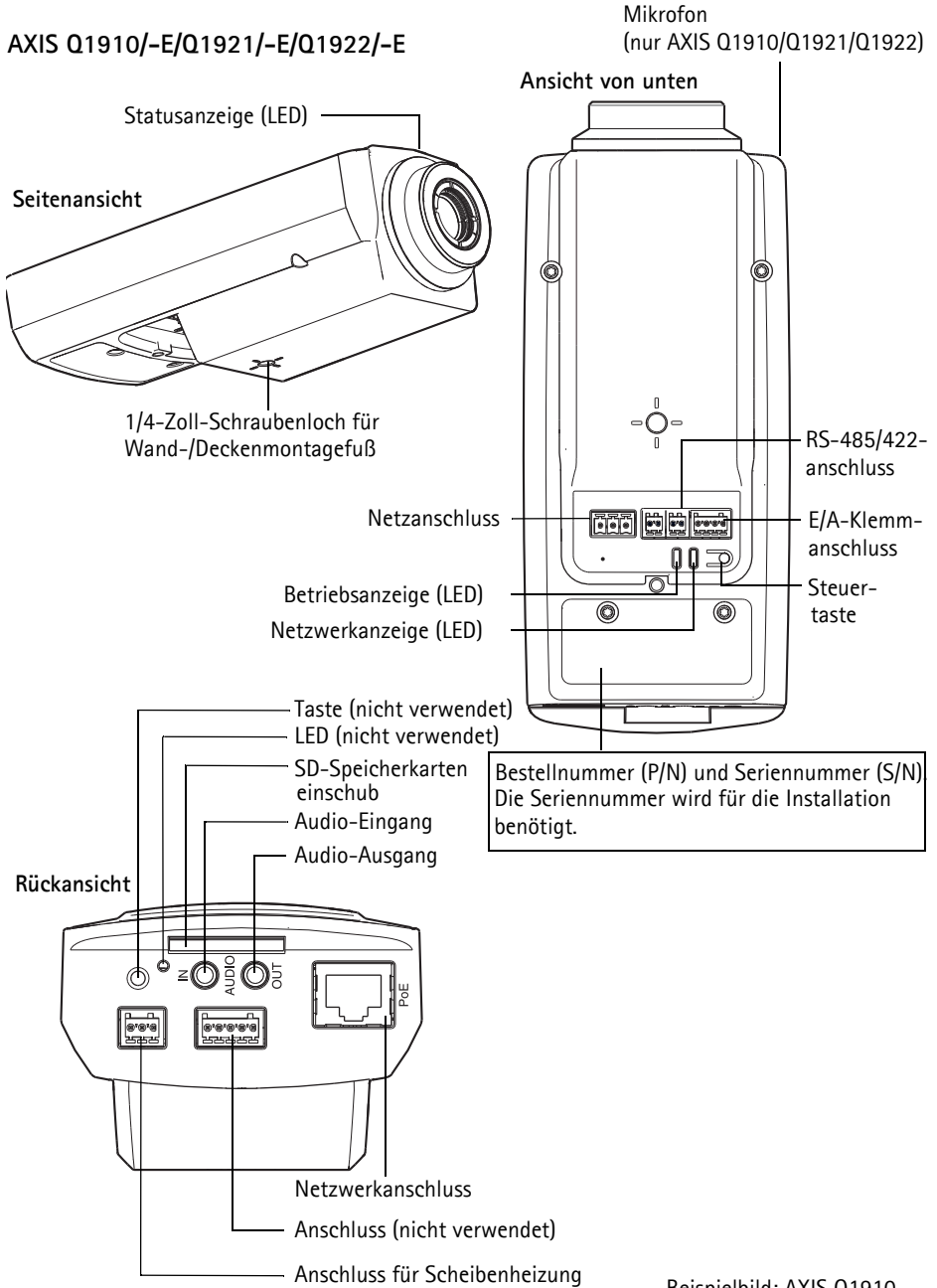
1. Prüfen Sie, ob alle in der nachfolgenden Liste aufgeführten Komponenten vorhanden sind.
2. Sehen Sie sich die Hardwareübersicht an. Siehe Seite 46.
3. Installieren Sie die Hardware.
  - Installieren Sie die AXIS Q1910/Q1921/Q1922. Siehe Seite 52.
  - Installieren Sie die AXIS Q1910-E/Q1921-E/Q1922-E. Siehe Seite 52.
  - Schließen Sie die Kabel an. Siehe Seite 54.
4. Weisen Sie eine IP-Adresse zu. Siehe Seite 55.
5. Legen Sie das Kennwort fest. Siehe Seite 58.

### 1 Inhalt des Produktpakets

Artikel	Modelle / Varianten / Notizen
Netzwerk-Kamera	AXIS Q1910/-E (8,3 fps) AXIS Q1921/-E (8,3/30 fps) AXIS Q1922/-E (8,3/30 fps) Hinweis: Eine Bildrate von mehr als 9 Bildern pro Sekunde unterliegt möglicherweise Exportbeschränkungen
Netzwerkkabel	AXIS Q1910-E/Q1921-E/Q1922-E 5 Meter langes Netzwerkkabel
Klemmenblock-stecker	4-poliger Stecker zum Anschluss von externen Geräten an den E/A-Anschluss, 3-poliger Stecker für die Stromversorgung, 2-poliger Stecker für die RS-485/422-Verbindung
Kameramontagefuß	AXIS Q1910/Q1921/Q1922 Montagefuß aus Metall
Wandhalterung	AXIS Q1910-E/Q1921-E/Q1922-E Wandhalterung mit internem Kabelschacht
Werkzeuge	AXIS Q1910-E/Q1921-E/Q1922-E Torx T20-Schraubendreher, Innensechskantschlüssel
CD-ROM	CD für Axis-Netzwerkvideoprodukte einschließlich Installationswerkzeugen und anderer Software sowie Produktdokumentation
Gedruckte Dokumente	AXIS Q19 Wärmebildkamera-Reihe Installationsanleitung (dieses Dokument) Bohrschablone Axis-Garantieerklärung Zwei zusätzliche Etiketten mit der Seriennummer AVHS-Authentifizierungsschlüssel
Optionales Zubehör	Unter „www.axis.com“ finden Sie Informationen zum verfügbaren Zubehör.

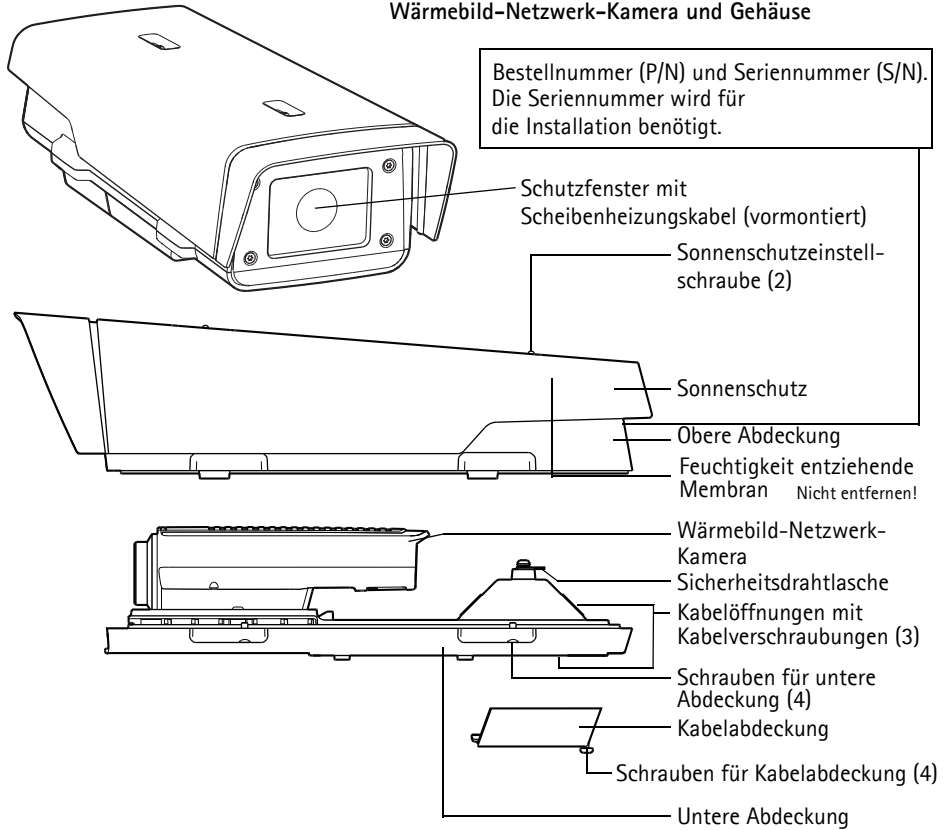
## 2 Hardwareübersicht

AXIS Q1910/-E/Q1921/-E/Q1922/-E

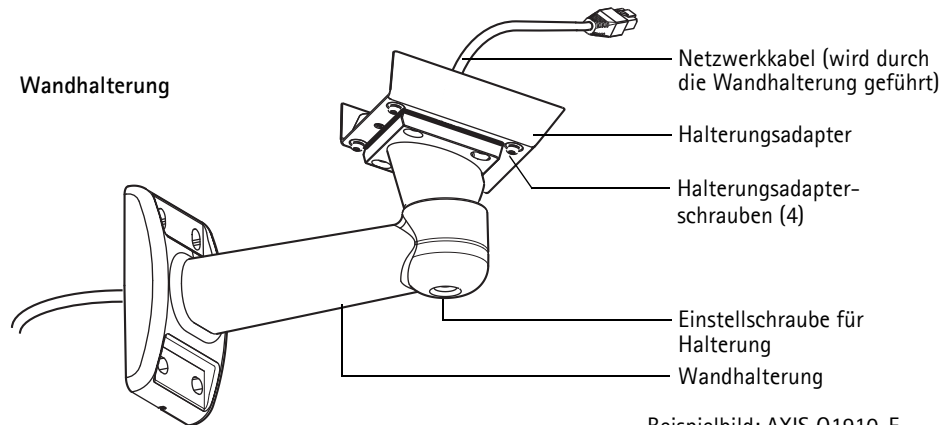


AXIS Q1910-E/Q1921-E/Q1922-E

Wärmebild-Netzwerk-Kamera und Gehäuse



Wandhalterung



Beispielbild: AXIS Q1910-E

DEUTSCH

## Geräteanschlüsse

**Netzwerk** – RJ-45-Ethernetanschluss. Unterstützt PoE (Power over Ethernet, Klasse 3).

### Hinweis:

Aufgrund der örtlichen Bestimmungen oder der Umgebungs- oder elektrischen Bedingungen, in denen das Produkt eingesetzt werden soll, kann ein abgeschirmtes Netzwerkkabel (STP) angebracht oder erforderlich sein. Netzwerkkabel, welche in Außenumgebungen oder ähnlichem geführt werden, müssen abgeschirmt sein (STP) und für diesen Zweck vorgesehen sein. Stellen Sie sicher, dass der Netzwerk-Switch ordnungsgemäß geerdet ist. Behördliche Anforderungen finden Sie unter *Electromagnetic Compatibility (EMC)*.

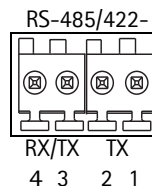
**Audio-Eingang** – 3.5-mm-Anschluss für ein Monomikrofon oder ein Monosignal (linker Kanal wird von einem Stereosignal benutzt). Für die Audioerkennung muss ein externes Mikrofon verwendet werden.

**Audio-Ausgang** – 3.5-mm-Audio-Ausgang (Leistungsstufe) zum Anschließen einer Rundrufanlage (PA) oder eines Aktivlautsprechers mit integriertem Verstärker. Auch ein Kopfhörer kann angeschlossen werden. Ein Stereostecker muss für die Audioausgabe verwendet werden.

**RS-485/422** – Zwei 2-polige Anschlussblöcke für serielle Schnittstellen vom Typ RS-485/422 zur Steuerung von Zusatzgeräten, wie z. B. PTZ-Geräten.

Der serielle RS-485/422-Anschluss kann in den folgenden Anschlussmodi konfiguriert werden:

- Bidirektionaler RS-485-Halbduplex-Anschluss für die Datenübertragung über zwei Leiter: ein kombiniertes RX/TX-Paar.
- Bidirektionaler RS-485-Vollduplex-Anschluss für die Datenübertragung über vier Leiter: ein RX-Paar und ein TX-Paar.
- Unidirektionaler RS-422-Anschluss für die Datenübertragung bzw. den Datenempfang über zwei Leiter: RX- oder TX-Paar.
- Bidirektionaler RS-422-Vollduplex-Anschluss für die Datenübertragung (Punkt-zu-Punkt) über vier Leiter: ein RX-Paar und ein TX-Paar.

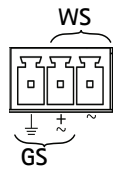


Funktion	Kontakt	Hinweise
RS 485/422TX(A)	1	TX-Paar für RS-422 und RS-485 mit 4 Leitern
RS 485/422TX(B)	2	
RS-485A alt RS-485/422RX(A)	3	RX-Paar für alle Modi (kombinierter RX/TX für RS-485 mit 2 Leitern)
RS-485B alt RS-485/422RX(B)	4	

**SD-Speicherkarteneinschub** – Wenn Sie Bilder lokal in der Kamera speichern möchten, benötigen Sie eine SD-Speicherkarte mit normaler oder hoher Kapazität (separat erhältlich).



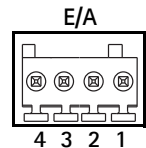
**Netzversorgung** – 3-poliger Anschlussblock für Netzeingang. Verwenden Sie eine Stromquelle mit begrenzter Leistung wie ein Netzteil, dessen Nennleistungsabgabe entweder 100 W oder 5 A nicht überschreitet. Falls die Eingangsspannung des Axis Produkts geringer als 20 V ist, muss der Strom vom Netzteil auf  $\leq 5$  A begrenzt werden. Falls das Netzteil eine höhere Ausgangsspannung als 20 V besitzt, muss dessen Leistungsabgabe auf  $\leq 100$  W begrenzt werden.



Modell	Anschlusswerte GS	Anschlusswerte WS
AXIS Q1910	8 bis 20 V GS, max. 10 W	20 bis 24 V WS, 50/60 Hz, max. 15 VA
AXIS Q1910-E	8 bis 20 V GS, max. 13 W	20 bis 24 V WS, 50/60 Hz, max. 18 VA
AXIS Q1921	8 bis 20 V GS, max. 7W	20 bis 24 V WS, 50/60 Hz, max. 13 VA
AXIS Q1921-E	8 bis 20 V GS, max. 12 W	20 bis 24 V WS, 50/60 Hz, max. 18 VA
AXIS Q1922	8 bis 20 V GS, max. 9 W	20 bis 24 V WS, 50/60 Hz, max. 14 VA
AXIS Q1922-E	8 bis 20 V GS, max. 13 W	20 bis 24 V WS, 50/60 Hz, max. 20 VA

**VORSICHT!** – Wenn Sie die Kabel falsch anschließen, kann die Kamera beschädigt werden.

**E/A-Anschluss** – Wird z. B. für Bewegungserkennung, Ereignisauslösung, Zeitrafferaufnahmen und Alarmbenachrichtigungen verwendet. Außer den Kontakten für eine Zusatzstromversorgung und Masse hat die Netzwerk-Kamera noch 2 weitere Kontakte, die entweder als Ein- oder als Ausgang konfiguriert werden können. Diese Kontakte stellen die Schnittstelle für Folgendes bereit:

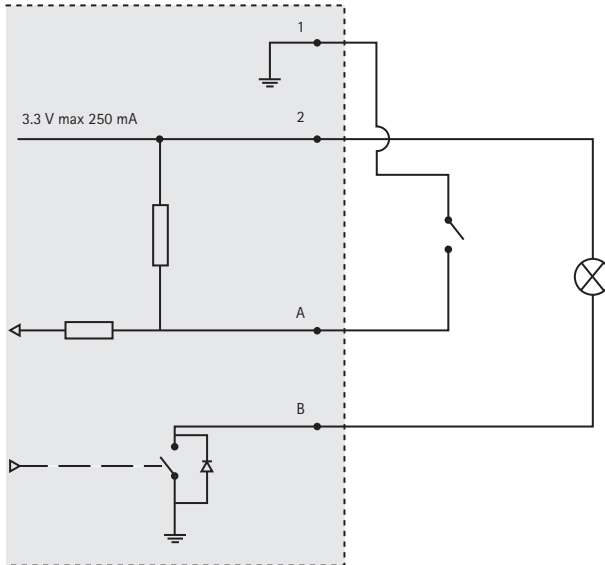


- **Transistorausgang:** Für den Anschluss externer Geräte wie beispielsweise externer Relais und LEDs. Angeschlossene Geräte können über die AXIS VAPIX API, über die Schaltflächen für den Ausgang auf der Seite **Live View** (Live-Ansicht) oder durch einen **Ereignistyp** aktiviert werden. Der Ausgang wird als aktiv (siehe **Events > Port Status** [Ereignisse > Port-Status]) angezeigt, wenn die Alarmvorrichtung eingeschaltet ist.

- Digitaleingang - Alarmeingang für den Anschluss von Geräten, die zwischen geöffnetem und geschlossenem Schaltkreis wechseln können, z. B.: PIR-Bewegungsmelder, Tür/Fensterkontakte, Glasbruchmelder usw. Bei Empfang eines Signals ändert sich der Status und der Eingang wird aktiviert (siehe Events > Port Status [Ereignisse > Port-Status]).

Funktion	Kontakt	Hinweise	Spezifikationen
Masse (GND)	1	Masse	
3.3 V Gleichstrom	2	Kann für die Stromversorgung von Zusatzgeräten verwendet werden. Hinweis: Dieser Kontakt kann nur für den Stromausgang verwendet werden.	Max. Stromstärke = 250 mA
Konfigurierbar (Ein- oder Ausgang)	3 - 4	Digitaleingang - Zum Aktivieren mit dem Massekontakt verbinden; zum Deaktivieren nicht anschließen.	0 bis +40 V GS
		Digitalausgang: aktiviert: interne Verbindung mit Masse; deaktiviert: frei bzw. nicht verbunden. Zum Schutz vor Spannungsspitzen muss bei der Kombination mit einem externen Relais eine Diode parallel zur Last geschaltet werden.	Max. Stromstärke = 100 mA Max. Spannung = +40 V GS

## Anschlusschaltbild



## LED-Anzeigen

LED	Farbe	Bedeutung
Netzwerk	Grün	Leuchtet dauerhaft bei Verbindung mit einem 100-MBit/s-Netzwerk. Blinkt bei Netzwerkaktivität.
	Gelb	Leuchtet dauerhaft bei Verbindung mit einem 10-MBit/s-Netzwerk. Blinkt bei Netzwerkaktivität.
	Leuchtet nicht	Keine Netzwerkverbindung vorhanden.
Status	Grün	Leuchtet bei Normalbetrieb konstant grün. Hinweis: Die Status-LED kann so konfiguriert werden, dass sie bei normalem Betrieb nicht leuchtet oder nur dann blinkt, wenn auf die Kamera zugegriffen wird. Diese Konfiguration können Sie unter <b>Setup &gt; System Options &gt; LED (Setup &gt; Systemoptionen &gt; LED)</b> vornehmen. Weitere Informationen hierzu finden Sie in der Online-Hilfe.
	Gelb	Leuchtet konstant beim Einschalten und beim Wiederherstellen der Werkseinstellungen bzw. von vorherigen Einstellungen.
	Rot	Blinkt langsam bei Aktualisierungsfehler.
Netzversorgung	Grün	Normaler Betrieb.
	Gelb	Blinkt grün/gelb während Firmware-Aktualisierung.

### 3 Installation der Hardware

Installieren Sie für den Einsatz im Außenbereich die AXIS Q1910-E/Q1921-E/Q1922-E oder informieren Sie sich auf unserer Website unter „www.axis.com“ über Außengehäuse und anderes für den Außeneinsatz geeignetes Zubehör.

#### Installieren der AXIS Q1910/Q1921/Q1922

Im folgenden Abschnitt wird die Installation der AXIS Q1910/Q1921/Q1922 beschrieben.

1. Befestigen Sie den Metallfuß an der Kamera. Stellen Sie sicher, dass Sie für das Material (z. B. Holz, Metall, Gipskarton, Stein) die geeigneten Schrauben und Dübel verwenden.
2. Schließen Sie die Kabel an, siehe *Anschließen der Kabel*, auf Seite 54.

#### Installieren der AXIS Q1910-E/Q1921-E/Q1922-E

Im folgenden Abschnitt wird die Installation der AXIS Q1910-E/Q1921-E/Q1922-E beschrieben.

#### Installation der Wandhalterung

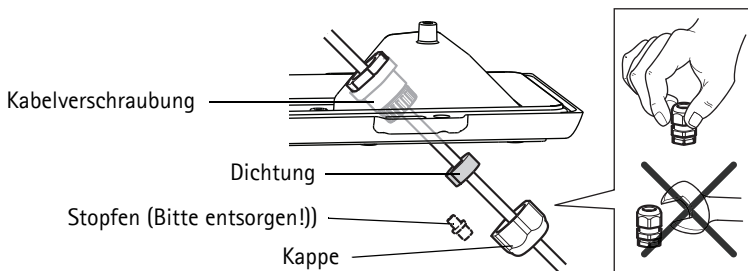
1. Bereiten Sie die Befestigung der Wandhalterung an der Wand vor und markieren Sie die Position der Bohrlöcher mithilfe der mitgelieferten Bohrschablone.
2. Führen Sie das Netzkabel durch die Wandhalterung und den Wandhalterungsadapter. Sie benötigen noch etwa 30 cm Kabel für den Anschluss an die Kamera.
3. Montieren Sie die Wandhalterung an einer Wand. Stellen Sie sicher, dass Sie für das Material (z. B. Holz, Metall, Gipskarton, Stein) die geeigneten Schrauben und Dübel verwenden.

#### Hinweise:

- Vergewissern Sie sich, dass das Material stabil genug ist, um das Gewicht der Kamera zu tragen.
- Alle weiteren technischen Daten zu diesem Produkt werden ausführlich im Benutzerhandbuch beschrieben, das auf der mitgelieferten CD oder auf unserer Website unter „www.axis.com“ zur Verfügung steht.

#### Führen Sie das Netzkabel durch die Kabelöffnung.

1. Lösen Sie die Schrauben der Kabelabdeckung und nehmen Sie die Kabelabdeckung von der unteren Abdeckung ab.



2. Entfernen Sie die Kappe, den Stopfen und die Dichtung aus der Kabelverschraubung, die verwendet werden soll.
3. Führen Sie das Netzkabel durch die Kappe.
4. Schieben Sie das Netzkabel durch den Schlitz in der Dichtung, um die Dichtung am Netzkabel zu fixieren. Informationen zu den Anforderungen an das Netzkabel finden Sie unter *Geräteanschlüsse*, auf Seite 48.
5. Führen Sie das Netzkabel durch die Kabelverschraubung.
6. Schieben Sie die Dichtung in die Kabelverschraubung und schrauben Sie die Kappe fest.

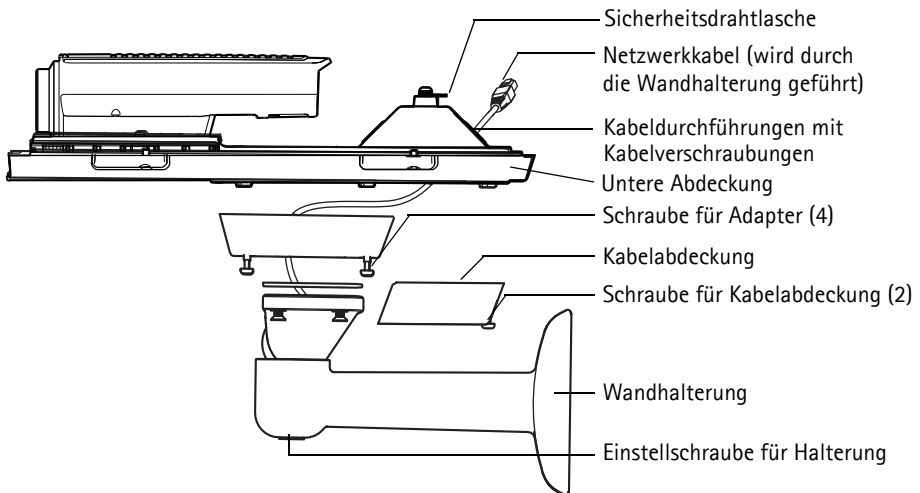
**Hinweis:**

Wenn eine andere Kabelführung als die mitgelieferte verwendet wird, kann möglicherweise Wasser eindringen und das Produkt beschädigt werden. Die Kabel müssen einen Durchmesser von 4,0 mm - 5,5 mm haben.

**Befestigen der Kamera an der Wandhalterung**

1. Setzen Sie die Kamera mit der unteren Abdeckung auf die Halterung und ziehen Sie die Schrauben des Halterungsadapters fest.
2. Bringen Sie die Kabelabdeckung wieder an und ziehen Sie die Schrauben fest.
3. Schließen Sie die Kabel an, siehe *Anschließen der Kabel*, auf Seite 54.

**Hinweis:** Wird mehr als ein Kabel verwendet, muss jedes Kabel durch eine separate Kabelführung geführt werden (siehe *Führen Sie das Netzkabel durch die Kabelöffnung.*, auf Seite 52).



4. Lösen Sie die Einstellschraube der Halterung und richten Sie die Kamera auf das gewünschte Ziel aus. Führen Sie bei Bedarf die Fokussierung der Kamera durch (siehe *Fokussierung – AXIS Q1921/-E/Q1922/-E*, auf Seite 60). Weitere Informationen zur Anzeige des Videostroms finden Sie unter *Zugriff auf den Videostrom*, auf Seite 59.
5. Befestigen Sie den Sicherheitsdraht an der Lasche an der unteren Abdeckung.

6. Schließen Sie das Scheibenheizungskabel am Scheibenheizungsanschluss der Kamera an.
7. Setzen Sie die obere Abdeckung auf die untere Abdeckung. Ziehen Sie abwechselnd die jeweils diagonal gegenüberliegenden Schrauben der unteren Abdeckung einige Umdrehungen fest, bis alle Schrauben festgezogen sind. Somit wird sichergestellt, dass die Dichtung der unteren Abdeckung gleichmäßig angepresst wird.
8. Lösen Sie die Einstellschrauben des Sonnenschutzes und bringen Sie den Sonnenschutz in die gewünschte Position.

## Anschließen der Kabel



1. Schieben Sie ggf. eine SD-Karte (separat erhältlich) in den SDHC- Speicherkartenschacht. Wenn Sie Bilder lokal in der Netzwerk-Kamera speichern möchten, benötigen Sie eine SD- oder SDHC-Speicherkarte.
2. Schließen Sie ggf. externe Ein-/Ausgabegeräte an. Informationen zur Anschlussbelegung finden Sie auf Seite 63.
3. Sie können zusätzlich einen Aktivlautsprecher und/oder ein externes Mikrofon anschließen.
4. Verbinden Sie die Kamera mit dem Netzwerk.
5. Schließen Sie die Kamera auf eine der folgenden Arten an die Stromversorgung an:
  - PoE (Power over Ethernet, Klasse 3). Wenn PoE vorhanden ist, wird der Anschluss automatisch bei Anschluss des Netzkabels erkannt.
  - Verbinden Sie ein externes Netzteil mit dem Anschlussblock für die Stromversorgung. Informationen zur Verkabelung finden Sie unter *Wiederherstellen der werkseitigen Standardeinstellungen*, auf Seite 63.
6. Überprüfen Sie, ob die LED-Anzeigen die Betriebszustände korrekt angeben. Weitere Informationen hierzu finden Sie in der Tabelle auf Seite 51.

## 4 Zuweisen einer IP-Adresse

In die meisten Netzwerken ist heutzutage ein DHCP-Server eingebunden, der angeschlossenen Geräten automatisch IP-Adressen zuweist. Wenn Ihr Netzwerk über keinen DHCP-Server verfügt, wird für die Netzwerk-Kamera die Standard-IP-Adresse 192.168.0.90 verwendet.

Zum manuellen Zuweisen einer statischen IP-Adresse stehen unter Windows die Programme **AXIS IP Utility** und **AXIS Camera Management** zur Verfügung. Verwenden Sie die Methode, die für die gewünschte Anzahl der zu installierenden Kameras geeignet ist.

Beide Anwendungen stehen kostenlos auf der mitgelieferten CD für Axis-Netzwerkvideoprodukte zur Verfügung oder können unter „[www.axis.com/techsup](http://www.axis.com/techsup)“ heruntergeladen werden.

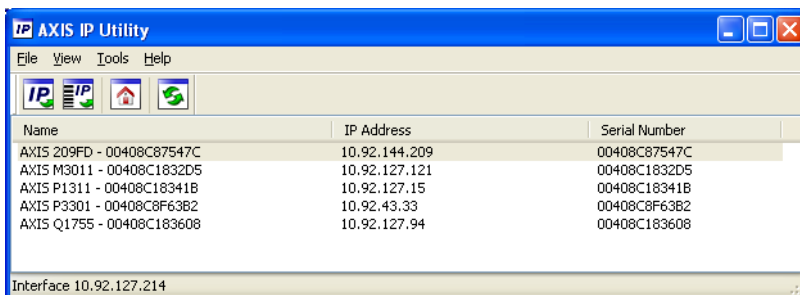
Methode	Empfohlen für	Betriebssystem
 AXIS IP Utility Siehe Seite 55	Einzelne Kamera Kleine Installationen	Windows
 AXIS Camera Management Siehe Seite 56	Mehrere Kameras Große Installationen Installation in einem anderen Subnetz	Windows 2000 Windows XP Pro Windows 2003 Server Windows Vista Windows 7

### Hinweise:

- Falls Sie die IP-Adresse nicht zuweisen können, müssen ggf. die Einstellungen der Firewall überprüft werden.
- Weitere Informationen zu alternativen Methoden zum Festlegen der IP-Adresse, z. B. in anderen Betriebssystemen, finden Sie auf Seite 61.

## AXIS IP Utility – einzelne Kamera/kleine Installation

AXIS IP Utility erkennt automatisch im Netzwerk vorhandene Axis-Geräte und zeigt diese an. Die Anwendung kann außerdem zur manuellen Zuweisung einer statischen IP-Adresse verwendet werden.




Beachten Sie, dass sich der Computer, auf dem AXIS IP Utility ausgeführt wird, und die Netzwerk-Kamera in demselben Netzwerksegment (physischen Subnetz) befinden müssen.

## Automatische Erkennung

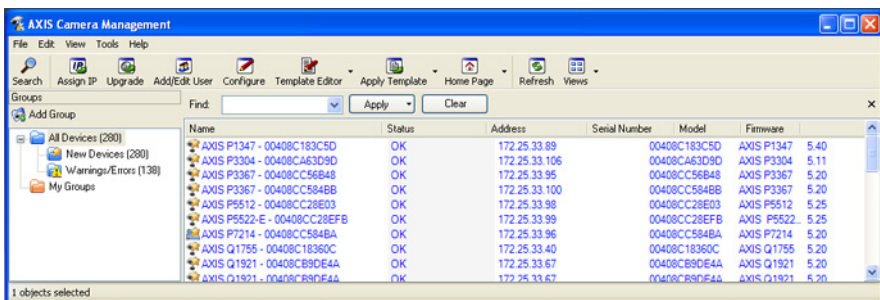
1. Stellen Sie sicher, dass die Netzwerk-Kamera an das Netzwerk und an die Stromversorgung angeschlossen ist.
2. Starten Sie AXIS IP Utility.
3. Doppelklicken Sie auf das Symbol der Kamera, um die entsprechende Startseite zu öffnen.
4. Anweisungen zum Festlegen des Kennworts finden Sie auf Seite 58.

## Manuelle Zuweisung der IP-Adresse (optional)

1. Wählen Sie eine nicht zugewiesene IP-Adresse im selben Netzwerksegment, in dem sich Ihr Computer befindet.
2. Wählen Sie die Netzwerk-Kamera in der Liste aus.
3. Klicken Sie auf die Schaltfläche **Assign new IP address to the selected device**  (Neue IP-Adresse für das ausgewählte Gerät zuweisen) und geben Sie die IP Adresse ein.
4. Klicken Sie auf die Schaltfläche **Assign** (Zuweisen) und befolgen Sie die angezeigten Anweisungen. Beachten Sie, dass die Kamera innerhalb von 2 Minuten neu gestartet werden muss, um die neue IP-Adresse festzulegen.
5. Klicken Sie auf die Schaltfläche **Home Page** (Startseite), um auf die Webseiten der Kamera zuzugreifen.
6. Anweisungen zum Festlegen des Kennworts finden Sie auf Seite 58.

## AXIS Camera Management – mehrere Kameras/große Installationen

Mit AXIS Camera Management können automatisch mehrere Axis-Geräte erkannt, der Verbindungsstatus angezeigt, Firmware-Aktualisierungen verwaltet und IP-Adressen festgelegt werden.




## Automatische Erkennung

1. Stellen Sie sicher, dass die Kamera an das Netzwerk und die Stromversorgung angeschlossen ist.
2. Starten Sie AXIS Camera Management. Wenn die Netzwerk-Kamera im Fenster angezeigt wird, klicken Sie mit der rechten Maustaste darauf und wählen Sie **Live View Home Page** (Startseite der Live-Ansicht).
3. Anweisungen zum Festlegen des Kennworts finden Sie auf Seite 58.




## Zuweisen einer IP-Adresse für ein einzelnes Gerät

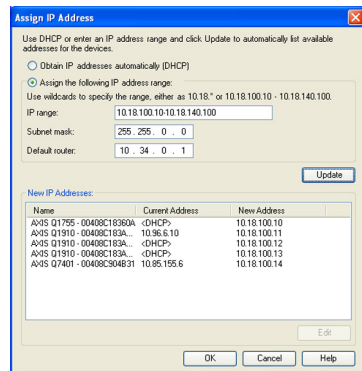
1. Wählen Sie in AXIS Camera Management die Netzwerk-Kamera aus und klicken Sie auf die Schaltfläche Assign IP (IP-Adresse zuweisen). 
2. Wählen Sie die Option Assign the following IP address (Folgende IP-Adresse zuweisen) und geben Sie die IP-Adresse, die Subnetzmaske und den Standardrouter für das Gerät ein.
3. Klicken Sie auf OK.



## Zuweisen von IP-Adressen für mehrere Geräte

AXIS Camera Management beschleunigt die Zuweisung von IP-Adressen für mehrere Geräte, indem IP-Adressen aus einem angegebenen Bereich vorgeschlagen werden.

1. Wählen Sie die zu konfigurierenden Geräte aus (es können auch unterschiedliche Modelle gewählt werden) und klicken Sie auf die Schaltfläche Assign IP (IP-Adresse zuweisen). 
2. Wählen Sie die Option Assign the following IP address range (Folgenden IP-Adressbereich zuweisen) und geben Sie den IP-Adressbereich, die Subnetzmaske und den Standardrouter für die Geräte ein.
3. Klicken Sie auf Update (Aktualisieren). Die vorgeschlagenen IP-Adressen werden in der Liste New IP Addresses (Neue IP-Adressen) aufgeführt. Wenn Sie eine IP-Adresse ändern möchten, wählen Sie das Gerät aus und klicken auf die Schaltfläche Edit (Bearbeiten).
4. Klicken Sie auf OK.



## 5 Festlegen des Kennworts

Für den Zugriff auf das Produkt muss das Kennwort für den standardmäßigen Administrator-Benutzer **root** festgelegt werden. Beim erstmaligen Zugriff auf die Netzwerk-Kamera wird das Dialogfeld **Configure Root Password** (Root-Kennwort konfigurieren) angezeigt. Dort kann das Kennwort festgelegt werden.

Um ein Abhören der Networkkommunikation während der Festlegung des Root-Kennworts zu vermeiden, können Sie diesen Vorgang über eine verschlüsselte HTTPS-Verbindung durchführen, die ein HTTPS-Zertifikat erfordert.

**Hinweis:** Das Protokoll HTTPS (Hypertext Transfer Protocol over SSL) wird verwendet, um den Datenverkehr zwischen Webbrowsern und Servern zu verschlüsseln. Das HTTPS-Zertifikat steuert den verschlüsselten Informationsaustausch.

Zum Festlegen des Kennworts über eine standardmäßige HTTP-Verbindung geben Sie es direkt in das erste, unten abgebildete Dialogfeld ein.

Um das Kennwort über eine verschlüsselte HTTPS-Verbindung festzulegen, führen Sie die folgenden Schritte aus:

1. Klicken Sie auf die Schaltfläche **Create self-signed certificate** (Selbstsigniertes Zertifikat erstellen).
2. Geben Sie die angeforderten Informationen ein und klicken Sie auf **OK**. Das Zertifikat wird erstellt, und das Kennwort kann jetzt sicher festgelegt werden. Der gesamte Datenverkehr der Netzwerk-Kamera wird ab diesem Zeitpunkt verschlüsselt.
3. Geben Sie ein Kennwort ein und wiederholen Sie die Eingabe, um die korrekte Schreibweise zu bestätigen. Klicken Sie auf **OK**. Damit ist das Kennwort konfiguriert.

Klicken Sie zum Herstellen einer HTTPS-Verbindung zunächst auf diese Schaltfläche.

Um das Kennwort direkt über eine unverschlüsselte Verbindung zu konfigurieren, geben Sie es hier ein.

4. Geben Sie den Benutzernamen „root“ wie erforderlich ein.  
Hinweis: Der standardmäßige Administrator-Benutzername „root“ kann nicht gelöscht werden.
5. Geben Sie das zuvor festgelegte Kennwort ein und klicken Sie auf „OK“.  
Hinweis: Wenn Sie das Kennwort vergessen haben, muss die Kamera auf die Werkseinstellungen zurückgesetzt werden. Siehe Seite 63.

## Zugriff auf den Videostrom

Die Seite „Live View“ (Live-Ansicht) der Netzwerk-Kamera wird geöffnet. Sie enthält Links zu Setup-Tools, mit denen Sie die Kamera Ihren Anforderungen entsprechend anpassen können.

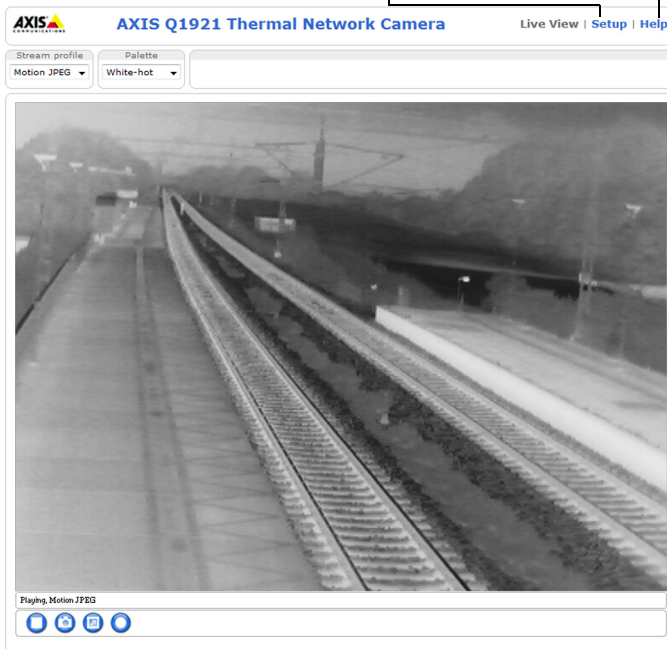
Klicken Sie bei Bedarf auf Yes (Ja), um AMC (AXIS Media Control) zu installieren. Nach Abschluss der Installation können Sie Videoströme in Internet Explorer anzeigen. Hierzu müssen Sie über Administratorrechte für den Computer verfügen.

Falls nötig, klicken Sie auf den Link, um fehlende Decoder zu installieren.

**Hinweis:** Für die Installation von AMC unter Windows Vista und Windows 7 müssen Sie Internet Explorer als Administrator ausführen. Klicken Sie mit der rechten Maustaste auf das Internet Explorer-Symbol und wählen Sie „Als Administrator ausführen“.

**Setup:** Alle zur benutzerspezifischen Konfiguration der Kamera notwendigen Werkzeuge.

**Hilfe:** Zum Aufrufen der Online-Hilfe für die Kamera.

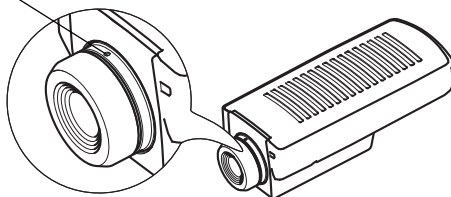


## Fokussierung – AXIS Q1921/-E/Q1922/-E

Führen Sie, falls nötig, die folgenden Schritte aus, um die Fokussierung der AXIS Q1921/-E/Q1922/-E durchzuführen:

1. Lösen Sie die Arretierschraube am Objektiv mit einem 1,8-mm-Schlitzschraubendreher.

Arretierschraube



2. Fokussieren Sie die Kamera auf die entsprechende Entfernung. In der folgenden Tabelle finden Sie die empfohlenen Fokussentfernungen für einen optimalen Fokus (Nahfokus und unendlich).

Objektiv	10 mm	19 mm	35 mm	60 mm
AXIS Q1921/-E	2 m	8 m	22 m	60 m
AXIS Q1922/-E	3 m	10 m	33 m	90 m

3. Ziehen Sie die Arretierschraube an.

### Hinweis:

Das Kameramodell AXIS Q1910/-E verfügt über ein Objektiv mit festem Fokus. Der Fokus ist werkseitig auf unendlich eingestellt und kann nicht geändert werden.

## Andere Methoden zum Festlegen der IP-Adresse

Diese Tabelle bietet einen Überblick über weitere Methoden, die IP-Adresse festzulegen bzw. zu ermitteln. Alle Methoden sind standardmäßig aktiviert und können deaktiviert werden.

	Verwendung im Betriebssystem	Hinweise
UPnP™	Windows	Wenn die Funktion auf dem Computer aktiviert ist, wird die Kamera automatisch erkannt und zu „Netzwerkumgebung“ hinzugefügt.
Bonjour	MAC OSX (10.4 oder höher)	Kann nur bei Browsern verwendet werden, die Bonjour unterstützen. Navigieren Sie zum Bonjour-Lesezeichen Ihres Browsers (z. B. Safari) und klicken Sie auf den Link, um auf die Webseiten der Kamera zu gelangen.
AXIS Dynamic DNS Service	Alle	Ein kostenloser Service von Axis, mit dem Sie Ihre Kamera schnell und einfach installieren können. Eine Internetverbindung ohne HTTP-Proxyserver ist Voraussetzung. Weitere Informationen hierzu finden Sie auf „www.axiscam.net“.
ARP/Ping	Alle	Siehe unten. Der Befehl muss innerhalb von 2 Minuten erfolgen, nachdem die Kamera an das Stromnetz angeschlossen wurde.
DHCP-Server	Alle	Hinweise zum Anzeigen der Administrationsseiten des DHCP-Servers im Netzwerk finden Sie in der Serverdokumentation.

## AXIS Video Hosting System (AVHS)

Die Kamera kann auch an einen AVHS-Service für gehostetes Video angeschlossen werden. Wenn Sie einen AVHS-Service abonniert haben, befolgen Sie die Anweisungen im Installationshandbuch des Diensteanbieters. Weitere Informationen zu lokalen AVHS-Diensteanbietern finden Sie unter „www.axis.com/hosting“.

Im Lieferumfang dieses Produkts ist ein **Authentifizierungsschlüssel für den Kameraeigentümer** enthalten. Der Schlüssel ist der eindeutigen Seriennummer (S/N) der Kamera zugeordnet, die sich oben auf dem Etikett befindet.

### Hinweis:

Bewahren Sie den Schlüssel auf, um ihn später verfügbar zu haben.

## Zuweisen der IP-Adresse per ARP/Ping

1. Wählen Sie eine IP-Adresse aus dem Netzwerksegment, in dem sich auch Ihr Computer befindet.
2. Suchen Sie die Seriennummer (S/N) auf dem Produktaufkleber an der Kamera.
3. Öffnen Sie auf Ihrem Computer die Eingabeaufforderung und geben Sie die folgenden Befehle ein:

<b>Windows-Syntax:</b>	Beispiel für Windows:
arp -s <IP-Adresse> <Seriennummer> ping -l 408 -t <IP-Adresse>	arp -s 192.168.0.125 00-40-8c-18-10-00 ping -l 408 -t 192.168.0.125
<b>Syntax unter UNIX/Linux/Mac:</b>	Beispiel für UNIX/Linux/Mac:
arp -s <IP-Adresse> <Seriennummer> temp ping -s 408 <IP-Adresse>	arp -s 192.168.0.125 00:40:8c:18:10:00 temp ping -s 408 192.168.0.125

4. Stellen Sie sicher, dass das Netzkabel mit der Kamera verbunden ist, und starten Sie die Kamera bzw. starten Sie diese neu, indem Sie die Stromversorgung unterbrechen und wiederherstellen.
5. Schließen Sie die Befehlszeile, sobald „Reply from 192.168.0.125:“ ...' oder eine ähnliche Meldung erscheint.
6. Starten Sie einen Browser, geben Sie im Adressfeld „http://<IP-Adresse>“ ein und drücken Sie die Eingabetaste auf der Tastatur.

### Hinweise:

- So öffnen Sie die Eingabeaufforderung unter Windows: Wählen Sie im Startmenü die Option „Ausführen...“ aus und geben Sie „cmd“ ein. Klicken Sie auf „OK“.
- Klicken Sie zum Eingeben des Befehls „ARP“ unter Windows Vista mit der rechten Maustaste auf das Befehlszeilensymbol und wählen Sie **Als Administrator ausführen**.
- Verwenden Sie zum Eingeben des Befehls „ARP“ unter Mac OS X das Dienstprogramm „Terminal“, das Sie unter „Anwendung > Dienstprogramme“ finden.

## Wiederherstellen der werkseitigen Standardeinstellungen

Gehen Sie wie folgt vor, um sämtliche Parameter einschließlich der IP-Adresse auf die werkseitigen Standardeinstellungen zurückzusetzen:

1. Trennen Sie die Kamera von der Stromversorgung.
2. Halten Sie die Steuertaste gedrückt und schließen Sie den Netzstecker wieder an.
3. Halten Sie die Steuertaste so lange gedrückt, bis die Statusanzeige gelb aufleuchtet (dies kann bis zu 15 Sekunden dauern).
4. Lassen Sie die Steuertaste los. Sobald die Statusanzeige grün leuchtet (dies kann bis zu einer Minute dauern), ist die Kamera auf die werkseitigen Standardeinstellungen zurückgesetzt.
5. Legen Sie die IP-Adresse erneut fest. Wenden Sie dabei eines der in diesem Handbuch beschriebenen Verfahren an.

Die Parameter können auch über die Weboberfläche auf die werkseitigen Einstellungen zurückgesetzt werden. Weitere Informationen dazu finden Sie in der Online-Hilfe und im Benutzerhandbuch.

## Zugriff auf die Kamera über das Internet

Sobald die Netzwerk-Kamera installiert ist, können Sie in Ihrem lokalen Netzwerk (LAN) darauf zugreifen. Um auch über das Internet auf die Kamera zugreifen zu können, müssen Sie die Netzwerk-Router so konfigurieren, dass diese den entsprechenden eingehenden Datenverkehr zulassen, was üblicherweise durch Zuweisung eines bestimmten Ports geschieht.

- HTTP-Port (standardmäßig Port 80) für die Anzeige und Konfiguration
- RTSP-Port (standardmäßig Port 554) für die Anzeige von H.264-Videostreamen

Ausführliche Informationen dazu finden Sie in der Dokumentation des Routers. Weitere Informationen zu diesem und zu anderen Themen erhalten Sie auf der Axis Support-Website unter „[www.axis.com/techsup](http://www.axis.com/techsup)“.

## Weitere Informationen

Das Benutzerhandbuch ist auf der Axis Website unter <http://www.axis.com> erhältlich und befindet sich auch auf der mitgelieferten CD für Axis-Netzwerkvideoprodukte.

### Tipp!

Unter „[www.axis.com/techsup](http://www.axis.com/techsup)“ finden Sie Firmware-Aktualisierungen für Ihre Netzwerk-Kamera. Informationen zur aktuellen Firmware-Version finden Sie unter „Setup > Info“.

### Erfahren Sie mehr!

Im Axis Lernzentrum auf [www.axis.com/academy](http://www.axis.com/academy) finden Sie hilfreiche Schulungen, Webinare, Lernprogramme und Anleitungen.

# Precauzioni

Leggere per intero e con attenzione questa Guida all'installazione prima di installare il prodotto. Conservare la Guida all'installazione per ulteriori riferimenti.

## ATTENZIONE!

- Quando si trasporta un prodotto Axis, utilizzare l'imballo originale o un imballo equivalente per evitare danni al prodotto.
- Conservare il prodotto Axis in un ambiente asciutto e ventilato. Mantenere la temperatura di stoccaggio e di funzionamento all'interno dei limiti stabiliti nella Guida per l'utente disponibile sul CD incluso nella confezione oppure al sito web [www.axis.com](http://www.axis.com).
- Evitare di esporre il prodotto Axis a vibrazioni, urti o pressioni eccessive e non installare il prodotto su staffe instabili, superfici o pareti instabili o vibranti, poiché in tal modo lo si potrebbe danneggiare.
- Per l'installazione del prodotto Axis, utilizzare solo attrezzi manuali, l'utilizzo di utensili elettrici o l'applicazione di una forza eccessiva potrebbero danneggiare il prodotto.
- Non rivolgere l'obiettivo della telecamera verso il sole o altre sorgenti di radiazioni molto intense poiché si potrebbe danneggiare il sensore.
- Non utilizzare sostanze chimiche, agenti caustici o detergenti aerosol. Utilizzare un panno umido per la pulizia.
- Usare solo accessori compatibili con le specifiche tecniche del prodotto. Questi possono essere forniti da Axis o da terze parti.
- Utilizzare solo parti di ricambio fornite o consigliate da Axis.
- Non tentare di riparare da soli il prodotto, ma contattare Axis o il rivenditore Axis per qualsiasi argomento relativo all'assistenza tecnica.

## ATTENZIONE!

- Questo prodotto Axis deve essere utilizzato in conformità alle leggi e alle regolamentazioni locali.
- Per utilizzare all'esterno i prodotti per interno Axis, è necessario installarli in un alloggiamento per esterni approvato. Installare i prodotti Axis predisposti per ambienti esterni in ambienti esterni o visitare il sito [www.axis.com](http://www.axis.com) per ulteriori informazioni sugli alloggiamenti per esterni e altri accessori.
- Non installare la telecamera vicino a sorgenti di calore poiché le oscillazioni di temperatura potrebbero influire sulla qualità dell'immagine.
- Il prodotto Axis deve essere installato da un professionista preparato. Per l'installazione, rispettare i regolamenti nazionali e locali in vigore.

## Sostituzione della batteria

Questo prodotto Axis utilizza una batteria al litio CR2032 da 3,0V come sorgente di alimentazione per l'orologio in tempo reale (RTC) interno. In condizioni normali, la batteria dura almeno 5 anni. Una scarsa potenza della batteria influisce sul funzionamento dell'RTC, causandone la reimpostazione a ogni accensione. Quando la batteria necessita di sostituzione, appare un messaggio di log. La batteria non deve essere sostituita se non è necessario!

Se è necessario sostituire la batteria, visitare la pagina web [www.axis.com/techsup](http://www.axis.com/techsup) per assistenza.

- La sostituzione non corretta della batteria comporta il pericolo di esplosioni.
- Sostituire solo con una batteria uguale o equivalente, come consigliato dal produttore.
- Smaltire le batterie usate secondo le istruzioni del produttore.



# Telecamere termiche serie AXIS Q19

## Guida all'installazione

Questo documento fornisce le istruzioni necessarie per installare la Telecamera termica di rete AXIS Q1910/-E/Q1921/-E/Q1922/-E nella rete in uso. Per ulteriori informazioni sull'utilizzo del prodotto, consultare la Guida per l'utente disponibile sul CD incluso nella confezione oppure visitare il sito web all'indirizzo [www.axis.com](http://www.axis.com)

### Procedura di installazione

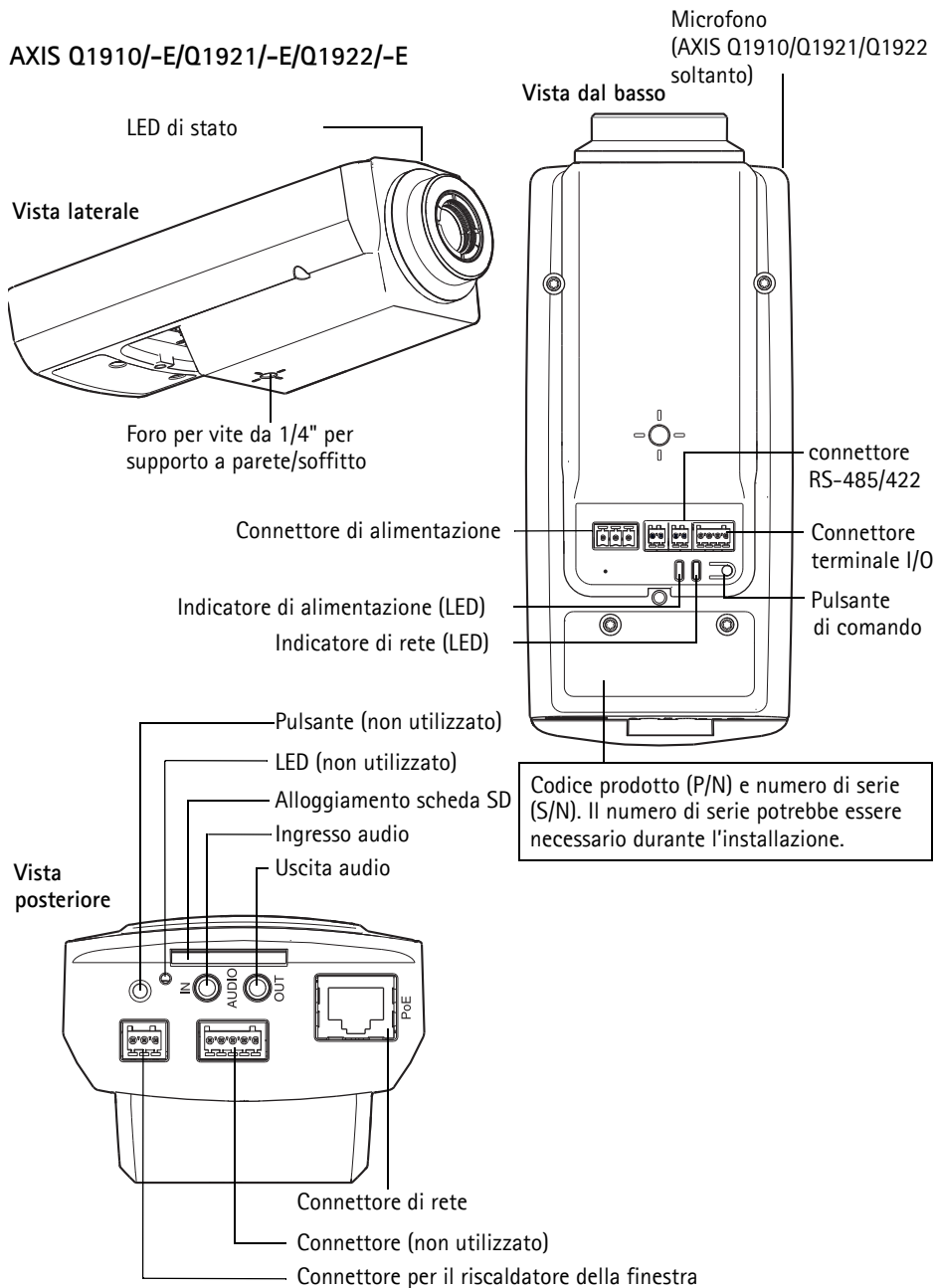
1. Controllare il contenuto della confezione con l'elenco che segue.
2. Panoramica dell'hardware. Vedere pagina 66.
3. Installare l'hardware.
  - Installazione del modello AXIS Q1910/Q1921/Q1922. Vedere pagina 72.
  - Installazione del modello AXIS Q1910-E/Q1921-E/Q1922-E. Vedere pagina 72.
  - Collegamento dei cavi. Vedere pagina 74.
4. Assegnazione di un indirizzo IP. Vedere pagina 75.
5. Impostare la password. Vedere a pagina 78.

### 1 Contenuto della confezione

Elemento	Modelli/varianti/note
Telecamera di rete	AXIS Q1910/-E (8,3 fps) AXIS Q1921/-E (8,3/30 fps) AXIS Q1922/-E (8,3/30 fps) <b>Nota:</b> I modelli con velocità di trasmissione superiori a 9 fps possono essere soggetti a norme di controllo dell'esportazione
Cavo di rete	AXIS Q1910-E/Q1921-E/Q1922-E Cavo di rete per esterni 5 m (16 ft.)
Morsettiera	connettore a 4 pin per la connessione di dispositivi esterni alla morsettiera di I/O; connettore a 3 pin per la connessione all'alimentazione; connettore a 2 pin per la connessione RS-485/422 (2x)
Cavalletto	AXIS Q1910/Q1921/Q1922      Base in metallo
Staffa per il montaggio a parete	AXIS Q1910-E/Q1921-E/Q1922-E      Staffa per il montaggio a muro con canalina interna per cavi
Strumenti	AXIS Q1910-E/Q1921-E/Q1922-E      Cacciavite Torx T20; chiave Allen
CD	CD del prodotto, che comprende le utility di installazione e altro software nonché la documentazione del prodotto
Materiali stampati	Telecamere termiche serie AXIS Q19 Guida all'installazione (questo documento) Maschera per la foratura Documento di garanzia Axis Etichette aggiuntive con numero di serie (2x) Chiave di autenticazione AVHS
Accessori opzionali	Visitare il sito web <a href="http://www.axis.com">www.axis.com</a> per informazioni sugli accessori disponibili.

## 2 Panoramica dell'hardware

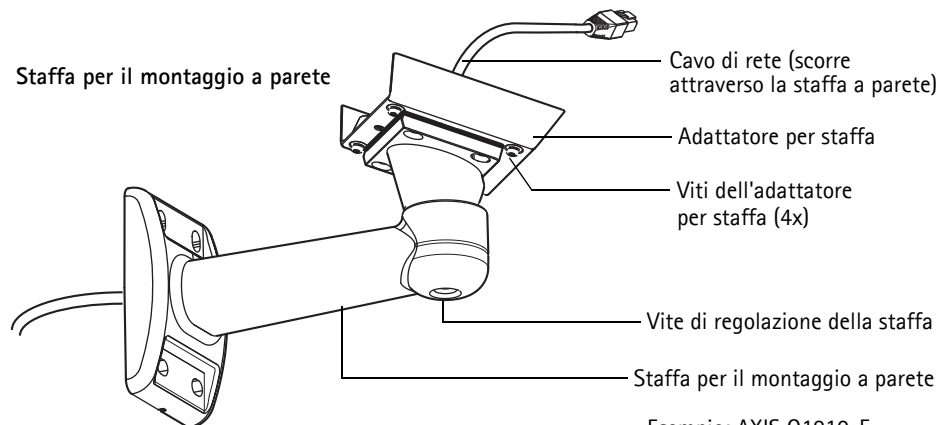
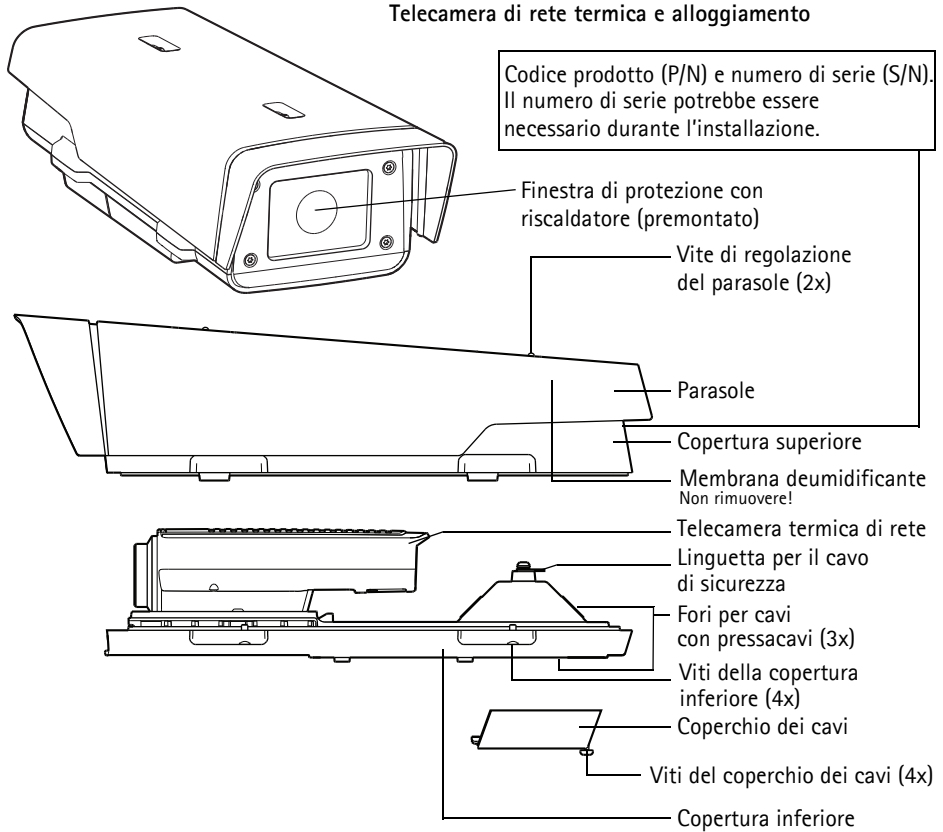
AXIS Q1910/-E/Q1921/-E/Q1922/-E



Esempio: AXIS Q1910

AXIS Q1910-E/Q1921-E/Q1922-E

Telecamera di rete termica e alloggiamento



Esempio: AXIS Q1910-E

## Connettori

**Rete** – Connettore Ethernet RJ-45. Supporto per PoE (Power over Ethernet, classe 3):

### Nota:

A causa delle disposizioni locali e delle condizioni ambientali ed elettriche in cui il prodotto deve essere utilizzato, può essere appropriato o necessario un cavo di rete schermato (STP). Tutti i cavi di rete posati in ambienti esterni o similari devono essere schermati (STP) e concepiti per il loro uso specifico. Assicurarsi che lo switch di rete sia correttamente collegato a terra. Per i requisiti normativi consultare *Electromagnetic Compatibility (EMC)*.

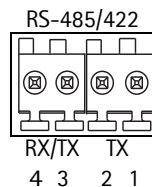
**Ingresso audio** – 3,5 mm per ingresso microfono mono o segnale mono line-in (il canale sinistro è usato da un segnale stereo). Per la rilevazione audio è necessario usare un microfono esterno.

**Uscita audio** – 3,5 mm audio in uscita (livello linea) che può essere connessa a un sistema di indirizzo pubblico (PA), oppure a un altoparlante con amplificatore integrato. Si possono collegare anche un paio di cuffie. Per l'uscita audio è necessario usare un connettore stereo.

**RS-485/422** – Due morsettiere da 2 pin per l'interfaccia seriale RS-485/422, utilizzate per il controllo di periferiche ausiliarie come le telecamere PTZ.

La porta seriale RS-485/422 può essere configurata su una delle seguenti modalità porta:

- Porta bidirezionale RS-485 half-duplex per la trasmissione di dati con due cavi e una coppia RX/TX combinata.
- Porta bidirezionale RS-485 half-duplex per la trasmissione di dati con quattro cavi, una coppia RX e una coppia TX.
- Porta unidirezionale RS-422 per la trasmissione e la ricezione di dati con due cavi e una coppia RX o TX.
- Porta bidirezionale RS-422 half-duplex per la trasmissione di dati (point-to-point) con quattro cavi, una coppia RX e una coppia TX.



Funzione	Pin	Note
RS 485/422TX(A)	1	Coppia TX per RS-422 e RS-485 con quattro cavi
RS 485/422TX(B)	2	
RS-485A alt RS-485/422RX(A)	3	Coppia RX per tutte le modalità (RX/TX combinata per RS-485 con due cavi)
RS-485B alt RS-485/422RX(B)	4	

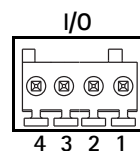
**Alloggiamento scheda SD** – Per memorizzare localmente le immagini riprese dalla telecamera, è necessaria una scheda SD (non inclusa) con capacità standard o elevata.

**Alimentazione** – Morsettiera a 3 pin utilizzata per l'ingresso dell'alimentazione. Utilizzare un alimentatore a potenza limitata come un adattatore per rete con un'uscita non superiore a 100 W o 5 A. Se la tensione di ingresso del prodotto Axis è inferiore a 20 V, la corrente proveniente dall'adattatore di rete sarà limitata a  $\leq 5$  A. Se l'adattatore di rete ha una tensione in uscita superiore a 20 V, l'uscita alimentazione sarà comunque limitata a  $\leq 100$  W.

Modello	Requisiti di alimentazione CC	Requisiti di alimentazione CA
AXIS Q1910	8-20 V CC, max 10 W	20-24 V CA, 50/60 Hz, max 15 VA
AXIS Q1910-E	8-20 V CC, max 13 W	20-24 V CA, 50/60 Hz, max 18 VA
AXIS Q1921	8-20 V CC, max 7 W	20-24 V CA, 50/60 Hz, max 13 VA
AXIS Q1921-E	8-20 V CC, max 12 W	20-24 V CA, 50/60 Hz, max 18 VA
AXIS Q1922	8-20 V CC, max 9 W	20-24 V CA, 50/60 Hz, max 14 VA
AXIS Q1922-E	8-20 V CC, max 13 W	20-24 V CA, 50/60 Hz, max 20 VA

- ! **ATTENZIONE!** - Il collegamento non corretto dei fili può danneggiare la telecamera.

**Morsettiera I/O** – Utilizzata per varie applicazioni come, ad esempio, la rilevazione del movimento, l'attivazione di eventi, la registrazione continua, la notifica di allarmi e così via. Oltre all'alimentazione ausiliaria e al pin GND, la telecamera di rete dispone di 2 pin che possono essere configurati come ingressi o uscite. Questi pin forniscono l'interfaccia per:

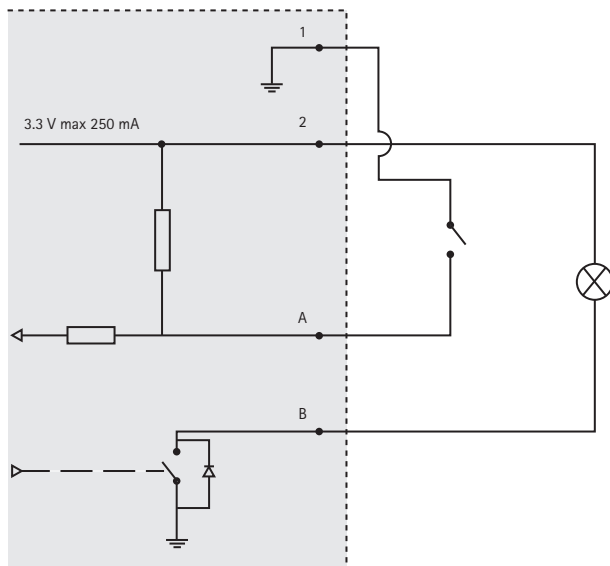


- **Uscita transistor:** utilizzabile per collegare dispositivi esterni come relè e LED. I dispositivi collegati possono essere attivati tramite AXIS VAPIX API, i pulsanti di comando della pagina **Live View** (Immagini dal vivo) oppure tramite l'opzione **Event Type** (Tipo di evento). L'uscita verrà visualizzata come attiva (visualizzata in **Events > Port Status** (Eventi Stato porta)) se il dispositivo di allarme si attiva.

- Ingresso digitale: ingresso allarme utilizzabile per collegare i dispositivi, che può passare dal circuito chiuso al circuito aperto, ad esempio: sensori di movimento (PIR), contatti porta/finestra, rilevatori di rottura vetri e così via. Dopo la ricezione del segnale lo stato cambia e l'ingresso diventa attivo (visualizzato in **Event Configuration (Configurazione evento) > Port Status (Stato porta)**).

Funzione	Numero pin	Note	Specifiche
GND	1	Terra	
3.3 V CC - Alimentazione	2	Utilizzabile per alimentare ulteriori apparecchiature. Nota: Questo pin può essere usato solo come uscita alimentazione.	Carico max = 250 mA
Configurabile (ingresso o uscita)	3 - 4	Ingresso digitale: per l'attivazione, collegarlo con messa a terra; per disattivarlo lasciarlo isolato (o scollegato).	Da 0 a +40 V CC
		Ingresso digitale: connessione interna con messa a terra quando attivo, isolato (scollegato) quando inattivo. Se utilizzato con un carico induttivo, p. es. un relè esterno, è necessario collegare un diodo in parallelo al carico per proteggere il dispositivo da sovratensioni.	Carico max. = 100 mA Tensione massima = +40 V CC

## Schema delle connessioni



## Indicatori LED

LED	Colore	Indicazione
Network	Verde	Luce fissa: connessione di rete a 100 Mbit/s. Luce lampeggiante: attività di rete.
	Giallo	Luce fissa: connessione di rete a 10 Mbit/s. Luce lampeggiante: attività di rete.
	Spento	Assenza di connessione.
Stato	Verde	Luce verde fissa: condizioni di normale utilizzo. Nota: È possibile configurare il LED di stato in modo che rimanga spento in condizioni di normale utilizzo oppure in modo da ottenere una luce intermittente quando si effettua l'accesso alla telecamera. Per configurarlo, selezionare <b>Setup (Configurazione) &gt; System Options (Opzioni di sistema) &gt; LED</b> . Per ulteriori informazioni, consultare la Guida in linea.
	Giallo	Luce fissa: durante l'avvio o il ripristino delle impostazioni predefinite o della configurazione.
	Rosso	Luce lampeggiante lenta: aggiornamento non riuscito.
Alimentazione	Verde	Normale utilizzo.
	Giallo	Luce lampeggiante verde/gialla: aggiornamento firmware.

### 3 Installazione dell'hardware

Per l'uso esterno, installare la telecamera AXIS Q1910-E/Q1921-E/Q1922-E, o visitare il sito [www.axis.com](http://www.axis.com) per ulteriori informazioni sugli alloggiamenti per esterni e altri accessori.

#### Installazione AXIS Q1910/Q1921/Q1922

Le istruzioni che seguono descrivono l'installazione della telecamera AXIS Q1910/Q1921/Q1922.

1. Applicare la base in metallo alla telecamera e assicurarsi che le viti siano adatte al materiale (ed. legno, metallo, cartongesso, pietra).
2. Collegamento dei cavi. Vedere a *Collegamento dei cavi*, a pagina 74.

#### Installazione AXIS Q1910-E/Q1921-E/Q1922-E

Le istruzioni che seguono descrivono l'installazione della telecamera AXIS Q1910-E/Q1921-E/Q1922-E.

#### Installare la staffa di montaggio a parete

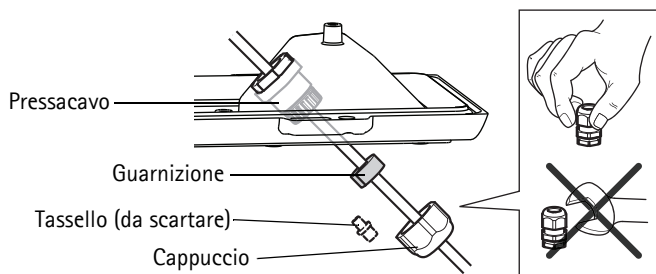
1. Utilizzare la maschera di foratura fornita per preparare una parete per l'installazione della staffa a parete.
2. Inserire il cavo di rete attraverso la staffa per il montaggio a parete e attraverso l'adattatore della stessa. Lasciare circa 30 cm di cavo per collegare la telecamera.
3. Installare la staffa a parete su una parete e assicurarsi che le viti e i connettori siano appropriati per il materiale (ad esempio legno, metallo, cartongesso, pietra).

#### Note:

- Controllare che il materiale sia sufficientemente robusto per sostenere il peso della telecamera.
- Per ulteriori specifiche tecniche, consultare la Guida per l'utente disponibile sul CD incluso nella confezione oppure visitare il sito web all'indirizzo [www.axis.com](http://www.axis.com)

#### Inserire il cavo di rete nel pressacavo.

1. Allentare le viti della copertura del cavo e rimuovere la copertura del cavo dalla copertura inferiore.



2. Rimuovere il cappuccio, la spina e la guarnizione dal pressacavo che deve essere utilizzato.
3. Passare il cavo di rete attraverso il cappuccio.



4. Far scorrere il cavo di rete attraverso la scanalatura sulla guarnizione per attaccare quest'ultima al cavo di rete. Vedere *Connettori*, a pagina 68 per informazioni sui requisiti dei cavi di rete.
5. Inserire il cavo di rete nel pressacavo.
6. Premere la guarnizione nel pressacavo e fissare saldamente il cappuccio.

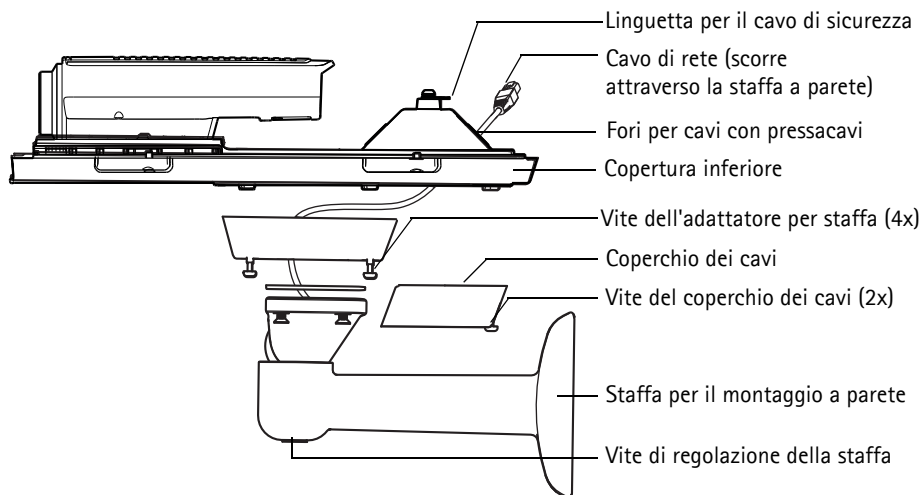
**Nota:**

Utilizzare un pressacavo differente da quello fornito può provocare infiltrazioni di acqua e danni al prodotto. I cavi devono avere un diametro di 4,0 mm – 5,5 mm.

**Montare la telecamera sulla staffa a parete**

1. Installare la telecamera con la copertura inferiore sulla staffa, quindi serrare le viti di regolazione della staffa.
2. Rimontare il coperchio dei cavi e serrare le viti.
3. Collegamento dei cavi. Vedere a *Collegamento dei cavi*, a pagina 74.

**Nota:** Se vengono usati più cavi, ogni cavo deve essere fatto passare attraverso un pressacavo separato, vedere *Inserire il cavo di rete nel pressacavo.*, a pagina 72.



4. Allentare la vite di regolazione della staffa per rivolgere la telecamera verso il punto desiderato e metterla a fuoco se necessario, vedere *Regolazione della messa a fuoco - AXIS Q1921/-E/ Q1922/-E*, a pagina 80. Vedere *Accesso al flusso video*, a pagina 79 per informazioni sulla visualizzazione del flusso video.
5. Fissare il cavo di sicurezza alla linguetta sulla copertura inferiore.
6. Collegare il cavo del riscaldatore della finestra all'apposito connettore sulla telecamera.
7. Fissare la copertura superiore a quella inferiore. Assicurarsi di serrare le viti del coperchio pochi giri alla volta e a coppie diagonalmente opposte, fino a che non sono tutte serrate. Questo aiuta a garantire che la guarnizione del coperchio inferiore sia compressa in modo uniforme.
8. Allentare le viti di regolazione del parasole e regolarlo nella posizione desiderata.

## Collegamento dei cavi



1. Inserire facoltativamente una scheda SD (non inclusa) nell'alloggiamento SDHC (Secure Digital High Capacity). Per memorizzare localmente le immagini riprese dalla telecamera, è necessaria una scheda SD con capacità standard o elevata.
2. Collegare facoltativamente gli altri dispositivi esterni di input/output. Per informazioni sui pin della morsettiera di alimentazione, vedere la pagina 83.
3. Collegare l'altoparlante attivo e/o il microfono esterno (opzionali).
4. Collegare la telecamera alla rete.
5. Collegare l'alimentazione mediante uno dei metodi elencati di seguito:
  - PoE (Power over Ethernet, classe 3): se disponibile, questo tipo di alimentazione viene automaticamente rilevato al momento della connessione del cavo di rete.
  - Collegare un adattatore di alimentazione esterno alla basetta di alimentazione, consultando la sezione *Ripristino delle impostazioni predefinite*, a pagina 83 per informazioni sui collegamenti elettrici.
6. Verificare che i LED indichino le condizioni di funzionamento corrette. Per ulteriori dettagli, vedere la tabella a pagina 71.

## 4 Assegnazione di un indirizzo IP

La maggior parte delle reti dispone di un server DHCP che assegna automaticamente gli indirizzi IP ai dispositivi connessi. Se la rete non dispone di un server DHCP, per la telecamera di rete viene utilizzato l'indirizzo IP predefinito 192.168.0.90.

Per assegnare un indirizzo IP statico, utilizzare **AXIS IP Utility** o **AXIS Camera Management** in ambiente Windows. In base al numero di telecamere da installare, utilizzare il metodo che meglio si adatta alle proprie esigenze.

Entrambe le applicazioni sono disponibili gratuitamente sul CD del prodotto oppure possono essere scaricate dal sito web all'indirizzo [www.axis.com/techsup](http://www.axis.com/techsup).

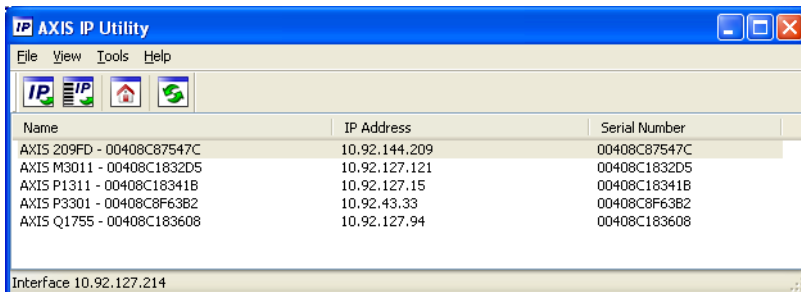
Metodo	Consigliato per	Sistema operativo
 <b>AXIS IP Utility</b> Vedere pagina 75	Videocamera singola Piccole installazioni	Windows
 <b>AXIS Camera Management</b> Vedere pagina 76	Più telecamere Grandi installazioni Installazione in una diversa subnet	Windows 2000 Windows XP Pro Windows 2003 Server Windows Vista Windows 7

### Note:

- Se l'assegnazione dell'indirizzo IP non è riuscita correttamente, verificare che non siano presenti firewall che bloccano l'operazione.
- Per altri metodi di assegnazione o rilevazione dell'indirizzo IP, per esempio in altri sistemi operativi, vedere a pagina 81.

## AXIS IP Utility: telecamera singola/piccole installazioni

AXIS IP Utility rileva e visualizza automaticamente i dispositivi Axis collegati alla rete. L'applicazione può anche essere utilizzata per assegnare manualmente un indirizzo IP statico.




Si tenga presente che la telecamera di rete deve essere installata sullo stesso segmento di rete (subnet fisica) del computer sul quale è in esecuzione AXIS IP Utility.

## Rilevamento automatico

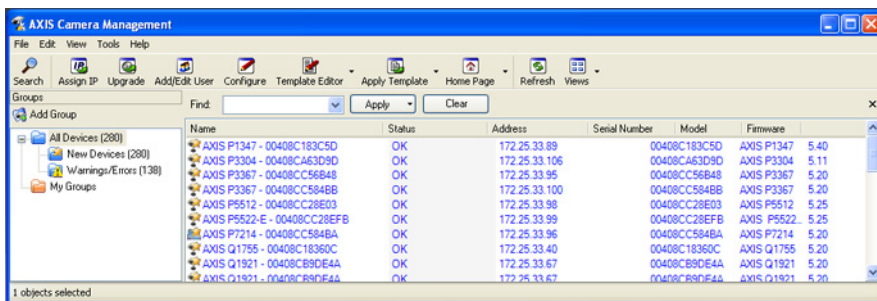
1. Verificare che la telecamera di rete sia collegata alla rete e alimentata correttamente.
2. Avviare AXIS IP Utility.
3. Quando la telecamera viene visualizzata nella finestra, selezionarla con un doppio clic per aprire la pagina iniziale.
4. Vedere pagina 78 per indicazioni su come impostare la password.

## Assegnazione manuale dell'indirizzo IP (opzionale)

1. Acquisire un indirizzo IP non utilizzato sullo stesso segmento di rete del computer.
2. Selezionare la telecamera di rete dall'elenco.
3. Fare clic sul pulsante **Assign new IP address to the selected device** (Assegna un nuovo indirizzo IP alla periferica selezionata)  e immettere l'indirizzo IP.
4. Fare clic su **Assign** (Assegna) e seguire le istruzioni visualizzate. Si tenga presente che la telecamera deve essere riavviata entro due minuti per assegnare il nuovo indirizzo IP.
5. Fare clic sul pulsante **Home Page** (Pagina home) per accedere alle pagine web della telecamera.
6. Vedere a pagina 78 per le istruzioni sull'impostazione della password.

## AXIS Camera Management: più telecamere/grandi installazioni


È possibile utilizzare AXIS Camera Management per individuare automaticamente la presenza di più dispositivi Axis, mostrare lo stato di connessione, gestire gli aggiornamenti del firmware e assegnare gli indirizzi IP.



## Rilevamento automatico

1. Verificare che la telecamera sia collegata alla rete ed alimentata correttamente.
2. Avviare AXIS Camera Management. Non appena la telecamera di rete viene visualizzata nella finestra, fare clic con il pulsante destro sul collegamento e selezionare **Live View Home Page** (Immagini dal vivo).
3. Vedere pagina 78 per le istruzioni sull'impostazione della password.


## Assegnazione di un indirizzo IP a un singolo dispositivo

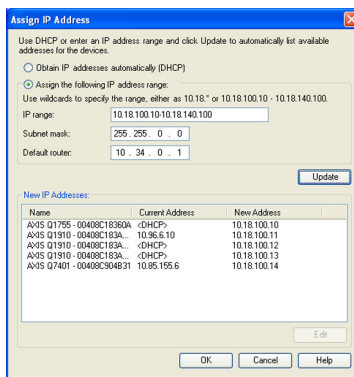
1. Selezionare la telecamera di rete in AXIS Camera Management e fare clic sul pulsante Assign IP (Assegna IP). 
2. Selezionare Assign the following IP address (Assegna il seguente indirizzo IP) e immettere l'indirizzo IP, la subnet mask e il router predefinito utilizzati dalla periferica.
3. Fare clic su OK.



## Assegnazione degli indirizzi IP a dispositivi multipli

AXIS Camera Management facilita il processo di assegnazione degli indirizzi IP di più dispositivi, suggerendo gli indirizzi IP in base a un intervallo specifico.

1. Selezionare i dispositivi da configurare (è possibile selezionare più modelli) e fare clic sul pulsante Assign IP (Assegna IP). 
2. Selezionare Assign the following IP address range (Assegna il seguente intervallo di indirizzi IP) e immettere l'intervallo di indirizzi IP, la subnet mask e il router predefinito utilizzati dai dispositivi.
3. Fare clic su Update (Aggiorna). Gli indirizzi IP suggeriti sono elencati sotto a New IP Addresses (Nuovi indirizzi IP) e possono essere modificati selezionando una periferica e facendo clic su Edit (Modifica).
4. Fare clic su OK.



## 5 Impostazione della password

Per ottenere l'accesso al prodotto, è necessario impostare la password dell'utente amministratore predefinito **root**. Questa operazione può essere effettuata nella finestra di dialogo 'Configure Root Password' (Configura password root), che viene visualizzata quando si accede alla telecamera per la prima volta.

Per evitare l'interruzione del collegamento di rete durante l'impostazione della password root, è possibile eseguire questa operazione tramite la connessione crittografata HTTPS, che richiede un certificato HTTPS.

**Nota:** HTTPS (Hypertext Transfer Protocol over SSL) è un protocollo utilizzato per crittografare il traffico tra i browser e i server Web. Il certificato HTTPS controlla lo scambio crittografato di informazioni.

Per impostare la password tramite una connessione HTTP standard, inserirla direttamente nella prima finestra di dialogo mostrata di seguito.

Per impostare la password tramite una connessione HTTPS crittografata, attenersi alla seguente procedura.

1. Fare clic sul pulsante **Create self-signed certificate** (Crea certificato autofirmato).
2. Fornire le informazioni richieste e fare clic su **OK**. Il certificato viene creato e la password può essere impostata in modo sicuro. Da questo momento in poi tutto il traffico verso e dalla telecamera di rete viene cifrato.
3. Immettere una password e reimmetterla per confermarla. Fare clic su **OK**. La password è stata configurata.

Per creare una connessione HTTPS, iniziare facendo clic su questo pulsante.

Per configurare la password direttamente tramite una connessione non crittografata, immettere qui la password.

- Per eseguire l'accesso, immettere il nome utente "root" nella finestra di dialogo quando il programma lo richiede.

**Nota:** Non è possibile eliminare il nome utente amministratore predefinito root.

- Immettere la password impostata in precedenza e fare clic su OK.

**Nota:** Se si dimentica la password, sarà necessario ripristinare le impostazioni predefinite della telecamera. Vedere a pagina 83.

## Accesso al flusso video

Viene visualizzata la pagina Live View (Immagini dal vivo) con i collegamenti agli strumenti di configurazione che consentono di personalizzare la telecamera.

Se necessario, fare clic su **Yes (Sì)** per installare AMC (AXIS Media Control) che consente di visualizzare il flusso video in Internet Explorer. A questo scopo è necessario disporre dei privilegi di amministratore.

Se necessario, fare clic sul collegamento per installare i decodificatori mancanti.

**Nota:** Per installare AMC in Windows Vista e Windows 7, è necessario eseguire Internet Explorer come amministratore. Fare clic con il pulsante destro del mouse sull'icona di Internet Explorer e selezionare **Run as administrator (Esegui come amministratore)**.

**Setup (Configurazione):** fornisce tutti gli strumenti necessari per configurare la telecamera.

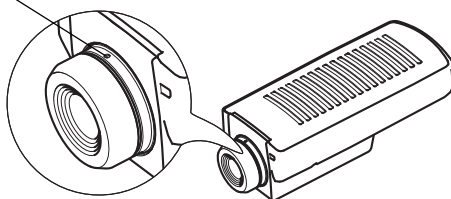
**Help (Guida):** visualizza la Guida in linea relativa alla modalità di utilizzo della telecamera.

## Regolazione della messa a fuoco - AXIS Q1921/-E/Q1922/-E

Se necessario, per regolare la messa a fuoco della telecamera AXIS Q1921/-E/Q1922/-E, attenersi alla seguente procedura:

1. Svitare la vite d'arresto dell'obiettivo con un cacciavite scanalato da 1,8 mm.

Vite di arresto



2. Mettere a fuoco la telecamera alla distanza appropriata. Vedere la tabella che segue per le distanze focali raccomandate per ottenere una messa a fuoco ottimale per le immagini a distanza ravvicinata e infinita.

Obiettivo	10 mm	19 mm	35 mm	60 mm
AXIS Q1921/-E	2 m	8 m	22 m	60 m
AXIS Q1922/-E	3 m	10 m	33 m	90 m

3. Fissare la vite d'arresto.

### Nota:

La telecamera AXIS Q1910/-E ha un obiettivo a fuoco fisso impostato all'infinito, che non può essere regolato.



## Altri metodi di assegnazione dell'indirizzo IP

La seguente tabella descrive gli altri metodi disponibili per assegnare o individuare l'indirizzo IP. Per impostazione predefinita, tutti i metodi sono disponibili e possono essere disabilitati.

	Utilizzo nel sistema operativo	Note
UPnP™	Windows	Se abilitata sul computer, la telecamera viene rilevata automaticamente e aggiunta a "Risorse di rete".
Bonjour	MAC OSX (versione 10.4 o successive)	Si applica ai browser con supporto Bonjour. Selezionare il segnalibro Bonjour nel browser (ad esempio Safari) e fare clic sul collegamento per accedere alle pagine web della telecamera.
AXIS Dynamic DNS Service	Tutte	Servizio gratuito fornito da Axis che consente di installare la telecamera in modo facile e veloce. È necessaria una connessione a Internet senza proxy http. Per ulteriori informazioni, visitare il sito Web all'indirizzo <a href="http://www.axiscam.net">www.axiscam.net</a> .
ARP/Ping	Tutte	Vedere le sezioni che seguono. È necessario eseguire il comando entro 2 minuti dal collegamento dell'alimentazione alla telecamera.
Server DHCP	Tutte	Per visualizzare le pagine di amministrazione del server DHCP di rete, vedere la documentazione specifica del server.

## AXIS Video Hosting System (AVHS)

La telecamera può essere anche collegata ad un server AVHS per l'hosting video. Se ci si è abbonati a un servizio AVHS, seguire le istruzioni della guida all'installazione fornita dal provider. Per ulteriori informazioni su come trovare un provider di servizi AVHS locale, accedere a [www.axis.com/hosting](http://www.axis.com/hosting)

Insieme al prodotto viene fornita una **chiave di autenticazione del proprietario della telecamera**. La chiave è associata al numero di serie univoco della telecamera mostrato nella parte superiore dell'etichetta.

### Nota:

Conservare la chiave come riferimento per il futuro.

## Assegnazione dell'indirizzo IP con ARP/Ping

1. Acquisire un indirizzo IP sullo stesso segmento di rete cui è connesso il computer in uso.
2. Individuare il numero di serie indicato sull'etichetta della telecamera.
3. Aprire una finestra MS-DOS sul computer e digitare i seguenti comandi:

<b>Sintassi di Windows:</b>	Esempio di Windows
arp -s <Indirizzo IP> <Numero di serie> ping -l 408 -t <Indirizzo IP>	arp -s 192.168.0.125 00-40-8c-18-10-00 ping -l 408 -t 192.168.0.125
<b>Sintassi di UNIX/Linux/Mac:</b>	Esempio UNIX/Linux/Mac:
arp -s <Indirizzo IP> <Numero di serie> temp ping -s 408 <Indirizzo IP>	arp -s 192.168.0.125 00:40:8c:18:10:00 temp ping -s 408 192.168.0.125

4. Verificare che il cavo di rete sia collegato alla telecamera, quindi avviare/riavviare la telecamera, scollegando e ricollegando l'alimentazione.
5. Chiudere la finestra MS-DOS appena viene visualizzato il messaggio "Reply from 192.168.0.125: ..." o un altro messaggio simile.
6. Nel browser, digitare `http://<indirizzo IP>` nel campo dell'indirizzo e premere Invio sulla tastiera.

### Note:

- Per aprire una finestra MS-DOS in Windows: nel menu Start, selezionare Esegui... e digitare cmd. Fare clic su OK.
- Per usare il comando ARP in Windows Vista, fare clic con il pulsante destro del mouse sull'icona della finestra MS-DOS e selezionare Run as administrator (Esegui come amministratore).
- Per utilizzare il comando ARP in Mac OS X, usare l'utility Terminal, in Applicazioni > Utilità.

## Ripristino delle impostazioni predefinite

Questa procedura consente di ripristinare le impostazioni predefinite di fabbrica per tutti i parametri, incluso l'indirizzo IP.

1. Scollegare l'alimentazione dalla telecamera.
2. Tenere premuto il pulsante di comando e ricollegare il cavo di alimentazione.
3. Tenere premuto il pulsante di comando fino a quando l'indicatore di stato non inizia a lampeggiare in giallo (l'operazione può richiedere fino a 15 secondi).
4. Rilasciare il pulsante di comando. Quando l'indicatore di stato diventa verde (l'operazione può richiedere fino a 1 minuto) la procedura è completata e sono state ripristinate le impostazioni predefinite per la telecamera.
5. Riassegnare l'indirizzo IP utilizzando uno dei metodi descritti in questo documento.

È possibile inoltre reimpostare i parametri alle impostazioni predefinite in fabbrica mediante l'interfaccia Web. Per ulteriori informazioni, consultare la Guida in linea o la Guida per l'utente.

## Accesso alla telecamera da Internet

Dopo l'installazione, la telecamera di rete è accessibile dalla rete locale (LAN). Per accedere alla videocamera da Internet, è necessario configurare i router di rete per consentire il traffico in entrata, che di norma avviene su una porta specifica.

- Porta HTTP (porta predefinita 80) per la visualizzazione e la configurazione
- Porta RTSP (porta predefinita 554) per la visualizzazione di flussi video in formato H.264

Per ulteriori istruzioni, consultare la documentazione del router. Per ulteriori informazioni su questo e altri argomenti, visitare il sito Web per il supporto Axis all'indirizzo [www.axis.com/techsup](http://www.axis.com/techsup)

## Ulteriori informazioni

La Guida per l'utente è disponibile sul sito web di Axis all'indirizzo [www.axis.com](http://www.axis.com) oppure sul CD fornito con il prodotto.

### Suggerimento

Visitare il sito di Axis all'indirizzo [www.axis.com/techsup](http://www.axis.com/techsup) per verificare se sono stati pubblicati aggiornamenti per la telecamera di rete. Per conoscere la versione installata del firmware, vedere >About (Informazioni su) nella pagina Setup (Configurazione).

### Ulteriori informazioni

Per utili corsi di formazione, webinar, tutorial e guide, visitare il centro di apprendimento di Axis all'indirizzo [www.axis.com/academy](http://www.axis.com/academy).

# Medidas preventivas

Lea atentamente la Guía de instalación antes de instalar el producto. Guarde la Guía de instalación para futuras consultas.

## ¡PRECAUCIÓN!

- A la hora de transportar el producto Axis, utilice el embalaje original o uno equivalente para no dañar el producto.
- Guarde el producto Axis en un entorno seco y ventilado. Mantenga la temperatura de funcionamiento y almacenamiento dentro de los límites indicados en el Manual del usuario disponible en el CD incluido en este paquete o en [www.axis.com](http://www.axis.com).
- Evite exponer el producto Axis a vibraciones, golpes o presiones excesivas y no lo instale en soportes inestables, o en superficies o paredes inestables o con vibraciones, ya que esto podría dañarlo.
- Instale el producto Axis utilizando solo herramientas manuales, ya que el uso de herramientas eléctricas o de una fuerza excesiva podría dañarlo.
- No ponga el objetivo de la cámara en dirección al sol o a otras fuentes de radiación de gran intensidad ya que esto podría dañar el sensor.
- No utilice productos químicos, agentes cáusticos ni limpiadores en aerosol. Límpielo con un paño húmedo.
- Utilice solo accesorios que cumplan las especificaciones técnicas del producto. Puede obtenerlos de Axis o de un tercero.
- Utilice solo piezas de recambio suministradas o recomendadas por Axis.
- No intente reparar el producto usted mismo, póngase en contacto con Axis o con el distribuidor de Axis para los temas de servicio técnico.

## ¡IMPORTANTE!

- Este producto Axis debe utilizarse de conformidad con la legislación y normativas locales.
- Para utilizar los productos Axis en exteriores, deben instalarse en una carcasa protectora para exteriores aprobada. Instale los productos Axis preparados para exteriores o visite [www.axis.com](http://www.axis.com) para más información sobre las carcasa protectoras para exterior y otros accesorios.
- No instale la cámara cerca de fuentes de calor, ya que las fluctuaciones de temperatura pueden afectar a la calidad de imagen.
- La instalación del producto Axis debe realizarla un profesional cualificado. Siga las normativas nacionales y locales aplicables para la instalación.

## Sustitución de la batería

Este producto Axis utiliza una batería de litio CR2032 de 3,0 V como fuente de alimentación para su reloj de tiempo real interno (RTC). En condiciones normales, esta batería durará un mínimo de 5 años. Cuando la batería tiene poca carga, el funcionamiento del RTC se puede ver afectado, ya que esto puede hacer que se reinicie cada vez que se encienda. Aparecerá un mensaje de registro cuando sea necesario sustituir la batería. No se debe sustituir la batería a menos que sea necesario.

Si necesita sustituir la batería, visite la página [www.axis.com/techsup](http://www.axis.com/techsup) para recibir asistencia.

- Peligro de explosión si la batería se sustituye de forma incorrecta.
- Utilice solo baterías de recambio iguales o equivalentes, de acuerdo con las recomendaciones del fabricante.
- Deseche las baterías usadas según las instrucciones del fabricante.

# Guía de instalación de la Serie de cámaras térmicas AXIS Q19

En esta guía de instalación se proporcionan instrucciones para instalar la Cámara de red térmica AXIS Q1910/-E/Q1921/-E/Q1922/-E en su red. Para obtener información sobre cualquier cuestión relacionada con el uso del producto, consulte el Manual del usuario, disponible en el CD que se incluye en este paquete, o el sitio web [www.axis.com](http://www.axis.com).

## Pasos para la instalación

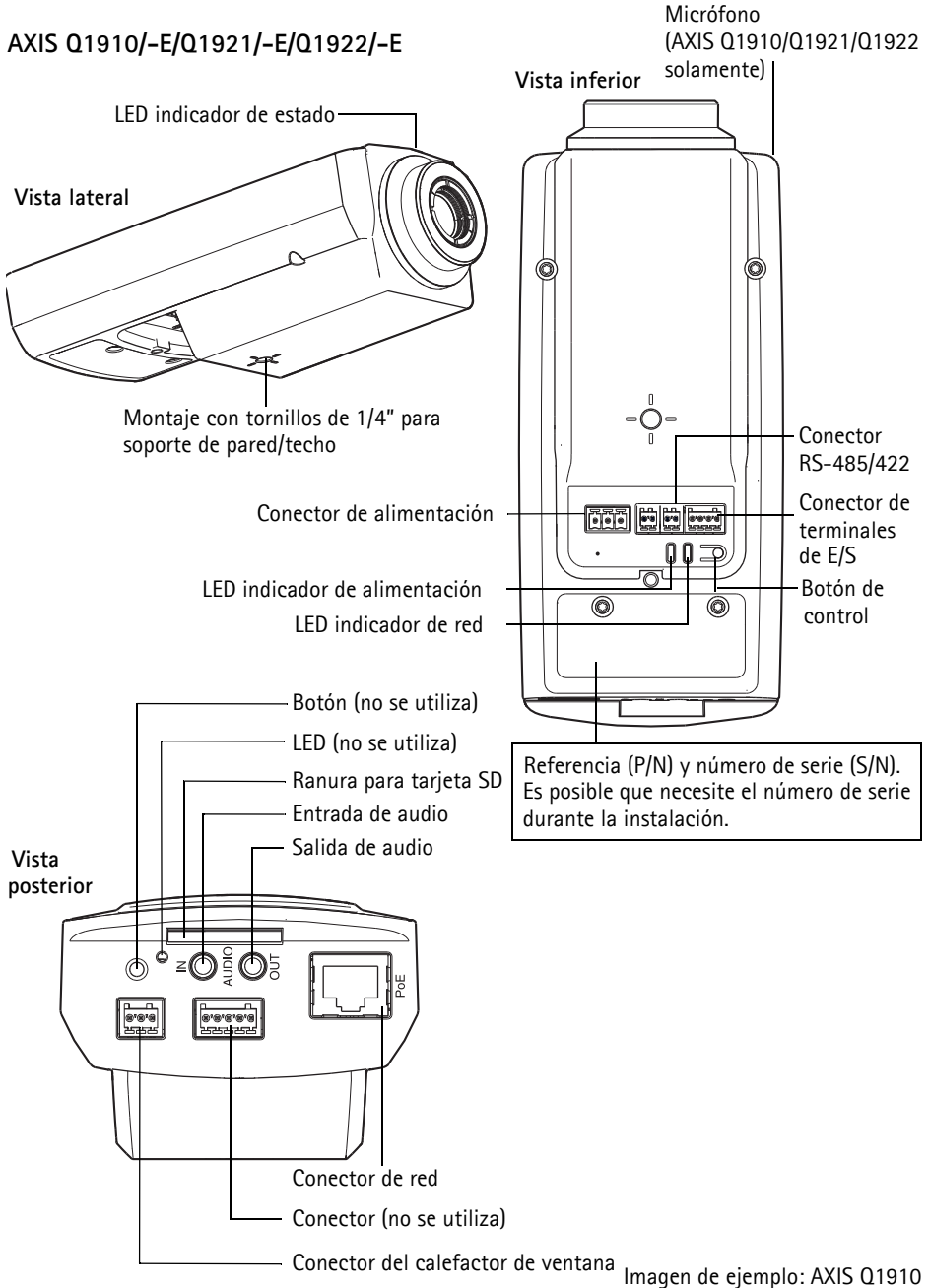
1. Verifique el contenido del paquete con la lista que aparece más abajo.
2. Presentación del hardware. Consulte la página 86.
3. Instalación del hardware.
  - Instalación de los modelos AXIS Q1910/Q1921/Q1922. Consulte la página 92.
  - Instalación de los modelos AXIS Q1910-E/Q1921-E/Q1922-E. Consulte la página 92.
  - Conexión de los cables. Consulte la página 94.
4. Asignación de la dirección IP. Consulte la página 95.
5. Configuración de la contraseña. Consulte la página 98.

## 1 Contenido del paquete

Artículo	Modelos/variantes/notas
Cámara de red	AXIS Q1910/-E (8,3 ips) AXIS Q1921/-E (8,3/30 ips) AXIS Q1922/-E (8,3/30 ips) Nota: Una velocidad de imagen superior a las 9 ips puede estar sujeta a la normativa sobre el control de exportaciones.
Cable de red	AXIS Q1910-E/Q1921-E/Q1922-E Cable de red para exteriores de 5 m
Conectores del bloque de terminales	Conector de 4 pines para conectar dispositivos externos al conector del terminal de E/S, conector de 3 pines para la conexión de alimentación, conector de 2 pines para la conexión de RS-485/422 (2)
Soporte de cámara	AXIS Q1910/Q1921/Q1922 Soporte metálico
Soporte de pared	AXIS Q1910-E/Q1921-E/Q1922-E Soporte de pared con canal de cable interno
Herramientas	AXIS Q1910-E/Q1921-E/Q1922-E Destornillador Torx T20; llave Allen
CD	CD de productos de vídeo en red de AXIS, que incluye documentación del producto, herramientas de instalación y otro software
Material impreso	Guía de instalación de la Serie de cámaras térmicas AXIS Q19 (este documento) Plantilla de taladrado Documento de garantía de Axis Etiquetas adicionales con el número de serie (2) Clave de autenticación AVHS
Accesorios opcionales	Visite <a href="http://www.axis.com">www.axis.com</a> para obtener información sobre los accesorios disponibles.

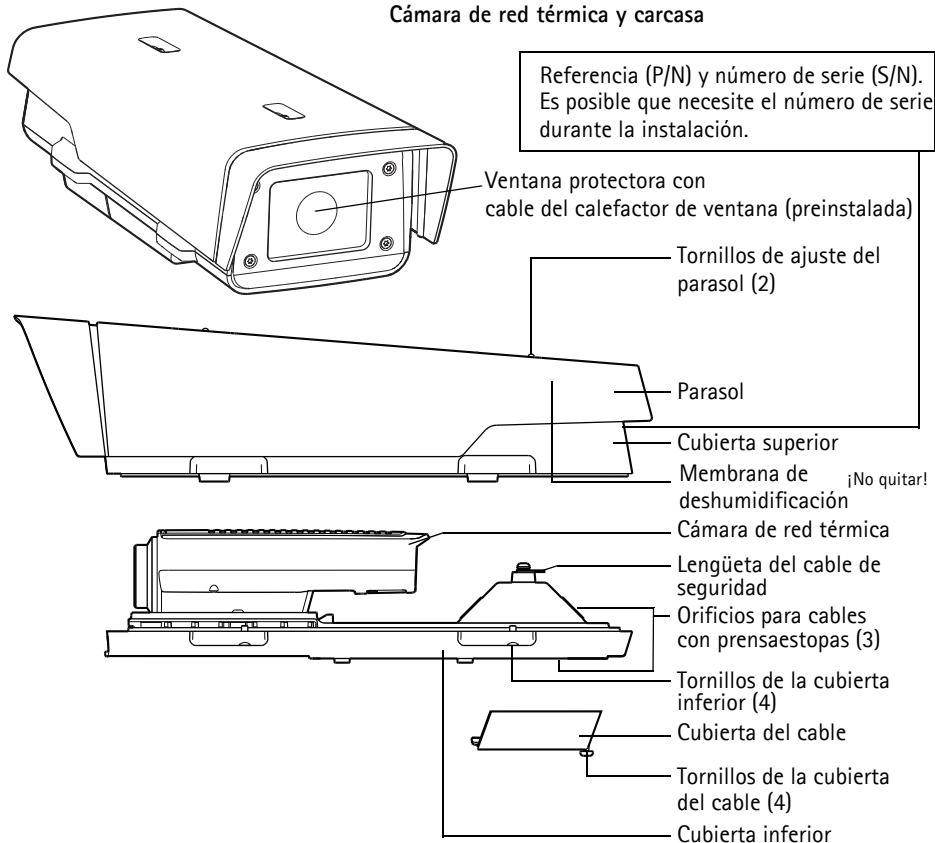
## 2 Presentación del hardware

### AXIS Q1910/-E/Q1921/-E/Q1922/-E



AXIS Q1910-E/Q1921-E/Q1922-E

Cámara de red térmica y carcasa



Soporte de pared

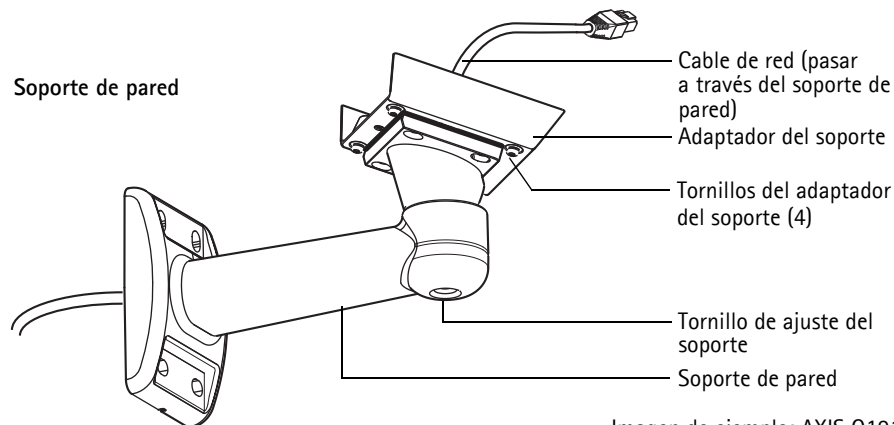


Imagen de ejemplo: AXIS Q1910-E

## Conectores

**Red** – Conector Ethernet RJ-45. Admite PoE (alimentación a través de Ethernet, clase 3).

### Nota:

Debido a la normativa local o a las condiciones ambientales y eléctricas en las que vaya a utilizar el producto, puede que sea conveniente o necesario un cable de red blindado (STP). Todos los cables de red que se utilicen en exteriores o similares deberán estar blindados (STP) y diseñados para su uso específico. Asegúrese de que el conmutador de red disponga de una conexión a tierra adecuada. Consulte *Electromagnetic Compatibility (EMC)* para conocer los requisitos normativos.

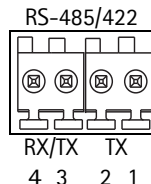
**Entrada de audio** – 3,5 mm para micrófono mono, o entrada de línea de señal mono (se usa el canal izquierdo de una señal estéreo). Se debe usar un micrófono externo para la detección de audio.

**Salida de audio** – 3,5 mm (nivel de línea) que puede conectarse a un sistema de megafonía pública o a un altavoz con amplificador incorporado. También se pueden conectar unos auriculares. Debe utilizarse un conector estéreo para la salida de audio.

**RS-485/422** – Dos bloques de terminales de 2 pines para la interfaz serie RS-485/422 utilizada para controlar equipos auxiliares, como por ejemplo, dispositivos PTZ.

El puerto serie RS-485/422 se puede configurar en los modos de puerto siguientes:

- Puerto semidúplex RS-485 bidireccional para transmisión de datos mediante dos hilos, un par RX/TX combinado.
- Puerto dúplex completo RS-485 bidireccional para transmisión de datos mediante cuatro hilos, un par RX y un par TX.
- Puerto RS-422 unidireccional para transmisión o recepción de datos mediante dos hilos, par RX o TX.
- Puerto dúplex completo RS-422 bidireccional para transmisión de datos (punto a punto) mediante cuatro hilos, un par RX y un par TX.

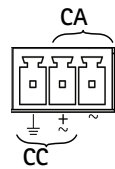


Función	Pin	Notas
RS 485/422TX(A)	1	Par TX para RS-422 y RS-485 de 4 hilos
RS 485/422TX(B)	2	
RS-485A alt RS-485/422RX(A)	3	Par RX para todos los modos (RX/TX combinado para RS-485 de 2 hilos)
RS-485B alt RS-485/422RX(B)	4	

**Ranura para tarjeta SD** – Es necesaria una tarjeta SD estándar o de gran capacidad (no incluida) para guardar las imágenes localmente en la cámara.



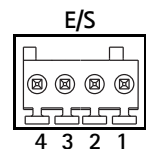
**Alimentación** – Bloque de terminales de 3 pines para entrada de alimentación. Utilice una fuente de alimentación limitada, como un adaptador de red, cuya potencia nominal no supere los 100 W o los 5 A. Si la tensión de entrada del producto Axis es inferior a 20 V, la corriente del adaptador de red seguirá estando limitada a  $\leq 5$  A. Si el adaptador de red tiene una tensión de salida superior a 20 V, la potencia seguirá estando limitada a  $\leq 100$  W.



Modelo	Requisitos de alimentación CC	Requisitos de alimentación CA
AXIS Q1910	8-20 V CC, máx. 10 W	20-24 V CA, máx. 15 VA
AXIS Q1910-E	8-20 V CC, máx. 13 W	20-24 V CA, máx. 18 VA
AXIS Q1921	8-20 V CC, máx. 7 W	20-24 V CA, máx. 13 VA
AXIS Q1921-E	8-20 V CC, máx. 12 W	20-24 V CA, máx. 18 VA
AXIS Q1922	8-20 V CC, máx. 9 W	20-24 V CA, máx. 14 VA
AXIS Q1922-E	8-20 V CC, máx. 13 W	20-24 V CA, máx. 20 VA

**¡PRECAUCIÓN!** - Una conexión incorrecta de los cables podría dañar la cámara.

**Conector de terminales de E/S** – Utilizado en aplicaciones como detección de movimiento, activación de eventos, grabación de secuencias y notificaciones de alarma. Además de un pin de alimentación auxiliar y un pin de toma de tierra, la cámara de red tiene 2 pines que pueden configurarse como entrada o salida. Estos pines proporcionan la interfaz para:

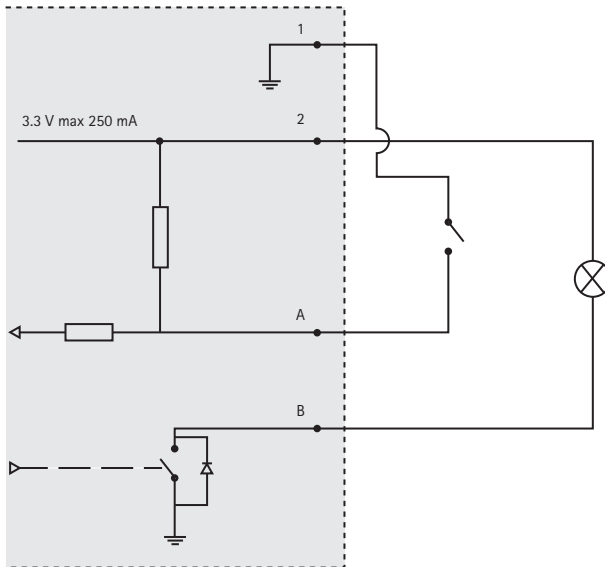


- Salida de transistor: para conectar dispositivos externos como relés y LED. Se pueden activar dispositivos conectados mediante AXIS VAPIX API, los botones de salida de la página **Live View** (Visualización en directo) o mediante un **Event Type** (Tipo de evento). La salida se mostrará activa (en **Events [Eventos] > Port Status [Estado del puerto]**) si el dispositivo de alarma está activado.

- Entrada digital: una entrada de alarma para conectar dispositivos que puedan alternar entre circuito cerrado y abierto, como por ejemplo: detectores PIR, contactos de puertas y ventanas, detectores de rotura de cristales, etc. Cuando se recibe una señal, el estado cambia y la entrada se vuelve activa (indicado en Events [Eventos] > Port Status [Estado del puerto]).

Función	Número de pines	Notas	Especificaciones
Masa	1	Masa	
Alimentación de 3,3 V CC	2	Se puede utilizar para alimentar equipos auxiliares. Nota: Este pin solo se puede usar como salida de alimentación.	Carga máx.= 250 mA
Configurable (entrada o salida)	3 - 4	Entrada digital: conecte a GND (masa) para activarla o déjala suelta (o desconectada) para desactivarla.	0 a +40 V CC
		Salida digital: conexión interna a masa cuando está activada, suelta (desconectada) cuando está desactivada. Si se utiliza con una carga inductiva, p. ej., un relé, debe conectarse un diodo en paralelo a la carga como protección ante oscilaciones de tensión.	Carga máx.= 100 mA Tensión máx.= +40 V CC

## Diagrama de conexiones



## Indicadores LED

LED	Color	Indicación
Red	Verde	Fijo para indicar la conexión a una red de 100 Mb/s. Parpadea para indicar actividad en la red.
	Ámbar	Fijo para indicar conexión a una red de 10 Mb/s. Parpadea para indicar actividad en la red.
	Apagado	Sin conexión a la red.
Estado	Verde	Verde fijo para indicar funcionamiento normal. Nota: Puede configurarse el LED de estado para que esté apagado durante el funcionamiento normal o para que parpadee únicamente cuando se accede a la cámara. Para configurarlo, vaya a <b>Setup (Configuración) &gt; System Options (Opciones del sistema) &gt; LED</b> . Para más información, consulte los archivos de ayuda en línea.
	Ámbar	Fijo durante el inicio o durante el restablecimiento de los valores o la configuración iniciales.
	Rojo	Parpadeo lento si no se puede realizar una actualización.
Alimentación	Verde	Funcionamiento normal.
	Ámbar	Parpadea en verde/ámbar durante la actualización del firmware.

### 3 Instalación del hardware

Para uso en exteriores instale los modelos AXIS Q1910-E/Q1921-E/Q1922-E o visite [www.axis.com](http://www.axis.com) para más información sobre la carcasa protectora para exterior y otros accesorios.

#### Instalación de los modelos AXIS Q1910/Q1921/Q1922

A continuación se detallan las instrucciones de instalación de los modelos AXIS Q1910/Q1921/Q1922.

1. Acople el soporte metálico a la cámara y asegúrese de que los tornillos y los conectores sean adecuados para el material (p. ej., madera, metal, tablero de yeso, piedra).
2. Para conectar los cables consulte *Conexión de los cables*, en la página 94.

#### Instalación de los modelos AXIS Q1910-E/Q1921-E/Q1922-E

A continuación se detallan las instrucciones de instalación de los modelos AXIS Q1910-E/Q1921-E/Q1922-E.

#### Instalación del soporte de pared

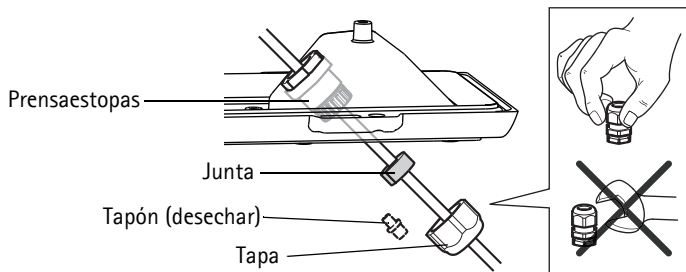
1. Utilice la plantilla de taladrado proporcionada para preparar la pared donde instalará el soporte de pared.
2. Pase el cable de red por el soporte de pared y por el adaptador del soporte. Deje aproximadamente 30 cm de cable para conectar la cámara.
3. Instale el soporte de pared en una pared y asegúrese de que los tornillos y conectores sean apropiados para el material (p. ej., madera, metal, tablero de yeso, piedra).

#### Notas:

- Asegúrese de que el material puede aguantar el peso de la cámara.
- Para obtener más información sobre especificaciones técnicas, consulte el Manual del usuario, disponible en el CD que se incluye en este paquete, o el sitio web [www.axis.com](http://www.axis.com).

#### Paso del cable de red por el orificio para el cable

1. Afloje los tornillos de la cubierta del cable y sepárela de la cubierta inferior.



2. Retire la tapa, el tapón y la junta del prensaestopos que se va a utilizar.
3. Pase el cable de red por la tapa.

4. Deslice el cable de red a través de la ranura de la junta para fijar la junta al cable de red. Consulte *Conectores*, en la página 88 para obtener más información sobre los requisitos del cable de red.
5. Pase el cable de red por el prensaestopas.
6. Presione la junta sobre el prensaestopas y atornille la tapa fuertemente.

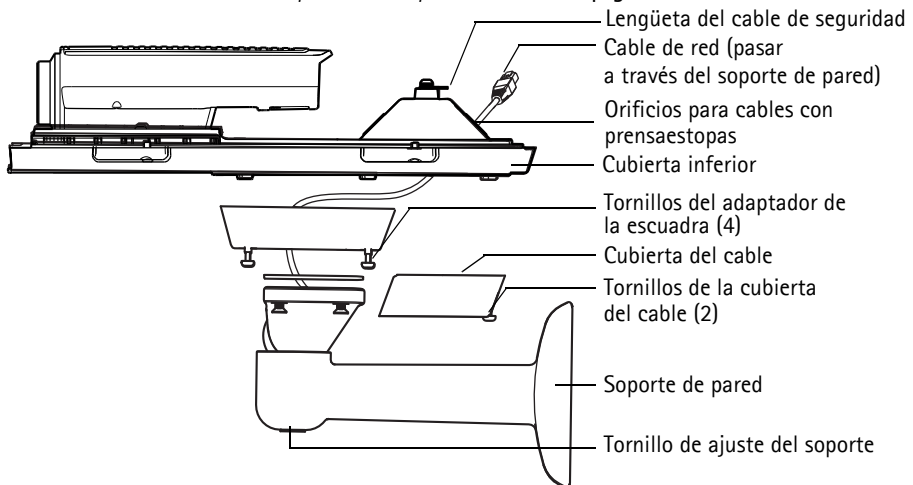
**Nota:**

El uso de cualquier otro prensaestopas puede provocar que se filtre agua, lo que dañaría el producto. Los cables deben tener un diámetro de 4,0 mm - 5,5 mm.

**Fijación de la cámara al soporte de pared**

1. Coloque la cámara con la cubierta inferior apoyada en el soporte y apriete los tornillos del adaptador del soporte.
2. Vuelva a colocar la cubierta del cable y apriete los tornillos.
3. Para conectar los cables consulte *Conexión de los cables*, en la página 94.

**Nota:** Si se utiliza más de un cable, hay que pasar cada cable por un prensaestopas diferente, consulte *Paso del cable de red por el orificio para el cable*, en la página 92.



4. Afloje el tornillo de ajuste de la escuadra para dirigir la cámara hacia el punto de interés y enfocarla si es necesario, consulte *Ajuste del enfoque - AXIS Q1921/-E/Q1922/-E*, en la página 100. Consulte *Acceso a la transmisión de vídeo*, en la página 99 para obtener información sobre cómo visualizar la transmisión de vídeo.
5. Conecte el cable de seguridad a la lengüeta de la cubierta inferior.
6. Conecte el cable del calefactor de ventana al conector del calefactor de ventana de la cámara.
7. Fije la cubierta superior a la cubierta inferior. Asegúrese de ajustar los tornillos diagonalmente opuestos de la cubierta inferior dando unas pocas vueltas cada vez hasta que estén todos apretados. Esto contribuye a garantizar que la junta de la cubierta inferior se comprima de manera uniforme.
8. Afloje los tornillos de ajuste del parasol y ajuste el parasol en la posición deseada.

## Conexión de los cables



1. También existe la opción de insertar una tarjeta SD (no incluida) en la ranura para tarjeta SDHC (Secure Digital High Capacity). Es necesaria una tarjeta SD estándar o de gran capacidad para guardar las imágenes localmente en la cámara.
2. También existe la opción de conectar dispositivos de entrada/salida externos. Para obtener más información sobre los contactos de los conectores de terminales, consulte la página 103.
3. También se puede conectar un altavoz activo para obtener audio bidireccional.
4. Conecte la cámara a la red.
5. Conecte la alimentación por medio de uno de los métodos especificados en la lista que aparece a continuación:
  - PoE (alimentación a través de Ethernet, clase 3). Si está disponible, se detectará automáticamente al conectar el cable de red.
  - Conecte un adaptador de alimentación externa al bloque de conectores; consulte *Restablecimiento de los valores iniciales*, en la página 103 para obtener información sobre la conexión.
6. Compruebe que los indicadores LED indican las condiciones adecuadas. Para obtener información más detallada, consulte la tabla de la página 91.

## 4 Asignación de la dirección IP

Actualmente, la mayoría de redes dispone de un servidor DHCP que asigna direcciones IP de forma automática a los dispositivos conectados. Si su red no dispone de un servidor DHCP, la cámara de red utilizará 192.168.0.90 como dirección IP predeterminada.

Si desea asignar una dirección IP estática, el método recomendado en Windows es **AXIS IP Utility** o **AXIS Camera Management**. En función del número de cámaras que desee instalar, deberá utilizar el método que se adapte mejor a sus necesidades.

Ambas aplicaciones son gratuitas y están disponibles en el CD de productos de vídeo en red de Axis suministrado con este producto o pueden descargarse de [www.axis.com/techsup](http://www.axis.com/techsup).

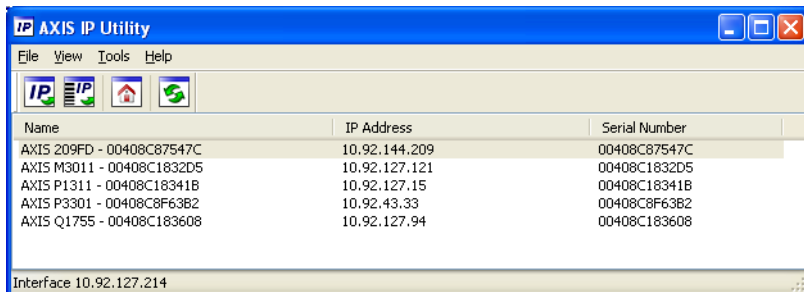
Método	Recomendado para	Sistema operativo
 AXIS IP Utility Consulte la página 95	Cámara individual Instalaciones pequeñas	Windows
 AXIS Camera Management Consulte la página 96	Varias cámaras Instalaciones grandes Instalación en una subred diferente	Windows 2000 Windows XP Pro Windows 2003 Server Windows Vista Windows 7

### Notas:

- Si no puede asignar la dirección IP, compruebe que no haya ningún cortafuegos que bloquee la operación.
- Para ver otros métodos de asignar o detectar la dirección IP, p. ej., en otros sistemas operativos, consulte la página 101.

## AXIS IP Utility: para cámaras individuales o instalaciones pequeñas

AXIS IP Utility detecta y muestra automáticamente los dispositivos Axis que existen en su red. Además, puede utilizarse para asignar manualmente una dirección IP estática.




Recuerde que el equipo que ejecute AXIS IP Utility debe instalarse en el mismo segmento de red (subred física) que la cámara de red.

## Detección automática

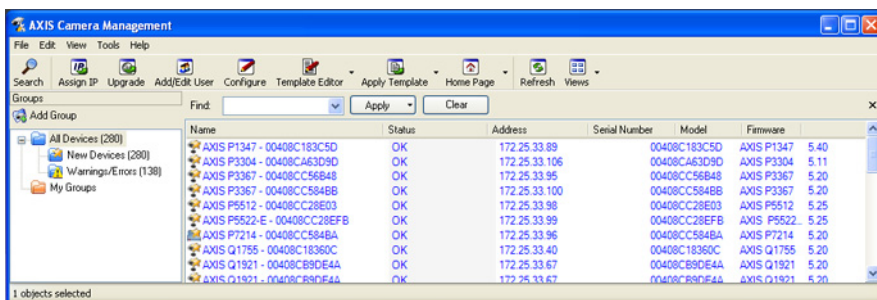
1. Compruebe que la cámara de red está conectada a la red y que recibe alimentación.
2. Inicie AXIS IP Utility.
3. Cuando la cámara aparezca en la ventana, haga doble clic en ella para abrir su página de inicio.
4. Consulte la página 98 para obtener instrucciones sobre cómo asignar la contraseña.

## Asignación manual de la dirección IP (opcional)

1. Obtenga una dirección IP que no esté en uso y que se encuentre en el mismo segmento de red que su equipo.
2. Seleccione la cámara de red en la lista.
3. Haga clic en el botón **Assign new IP address to the selected device** (Asignar nueva dirección IP al dispositivo seleccionado)  e introduzca la dirección IP.
4. Haga clic en **Assign** (Asignar) y siga las instrucciones que aparecen en la pantalla. Recuerde que la cámara debe reiniciarse en los dos minutos siguientes a la configuración de la dirección IP.
5. Haga clic en el botón **Home Page** (Página de inicio) para acceder a las páginas web de la cámara.
6. Consulte la página 98 para obtener instrucciones sobre cómo configurar la contraseña.

## AXIS Camera Management: para varias cámaras e instalaciones grandes

AXIS Camera Management puede detectar automáticamente varios dispositivos Axis, mostrar el estado de la conexión, administrar las actualizaciones del firmware y configurar direcciones IP.




## Detección automática

1. Compruebe que la cámara está conectada a la red y que recibe alimentación.
2. Inicie AXIS Camera Management. Cuando la cámara de red aparezca en la ventana, haga clic con el botón derecho en el enlace y seleccione **Live View Home Page** (Página de inicio de la Visualización en directo).
3. Consulte la página 98 para obtener instrucciones sobre cómo configurar la contraseña.




## Asignación de una dirección IP en un dispositivo individual

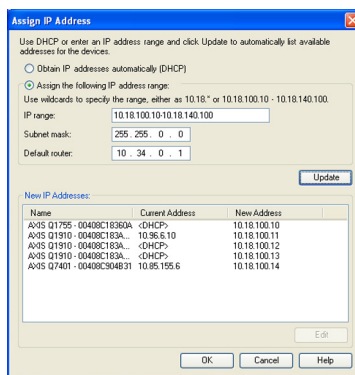
1. Seleccione la cámara de red en AXIS Camera Management y haga clic en el botón Assign IP (Asignar IP). 
2. Seleccione Assign the following IP address (Asignar la siguiente dirección IP) e introduzca la dirección IP, la máscara de subred y el router predeterminado que utilizará el dispositivo.
3. Haga clic en OK (Aceptar).



## Asignación de direcciones IP en varios dispositivos

AXIS Camera Management acelera el proceso de asignación de direcciones IP en varios dispositivos indicando direcciones IP disponibles dentro de un intervalo especificado.

1. Seleccione los dispositivos que desee configurar (se pueden seleccionar varios modelos) y haga clic en el botón Assign IP (Asignar IP). 
2. Seleccione Assign the following IP address range (Asignar el siguiente intervalo de direcciones IP) e introduzca el intervalo de direcciones IP, la máscara de subred y el router predeterminado que utilizará el dispositivo.
3. Haga clic en Update (Actualizar). Las direcciones IP sugeridas se muestran en New IP Addresses (Nuevas direcciones IP) y se pueden editar si se selecciona un dispositivo y se hace clic en el botón Edit (Editar).
4. Haga clic en OK (Aceptar).



## 5 Configuración de la contraseña

Para poder acceder al producto, hay que asignar una contraseña para el administrador root (es el usuario predeterminado). Aparecerá el cuadro de diálogo "Configure Root Password" (Configurar contraseña de root) cuando se acceda a la cámara de red por primera vez.

Para evitar la interceptación de la contraseña de root mientras se configura, este proceso se puede realizar a través de una conexión HTTPS cifrada, que precisa un certificado HTTPS.

**Nota:** HTTPS (Hypertext Transfer Protocol over SSL) es un protocolo que se utiliza para cifrar el tráfico entre los servidores y los navegadores web. El certificado HTTPS controla el intercambio cifrado de información.

Para configurar la contraseña a través de una conexión HTTP estándar, escribala directamente en el primer cuadro de diálogo que se muestra a continuación.

Para configurar la contraseña a través de una conexión HTTPS cifrada, siga estos pasos:

1. Haga clic en el botón **Create self-signed certificate** (Crear un certificado de autofirma).
2. Proporcione la información que se le solicita y haga clic en **OK** (Aceptar). Se creará el certificado y se podrá configurar la contraseña con seguridad. Todo el tráfico hacia y desde la cámara de red se cifrará a partir de este punto.
3. A continuación, escriba una contraseña y vuelva a escribirla para confirmarla. Haga clic en **OK** (Aceptar). La contraseña ya se ha configurado.

Para crear una conexión HTTPS, empiece haciendo clic en este botón.

Para configurar directamente la contraseña a través de una conexión sin cifrar, escriba aquí la contraseña.

4. Para iniciar sesión, escriba el nombre de usuario "root" en el cuadro de diálogo.

**Nota:** El nombre de usuario predeterminado para el administrador root no se puede eliminar.

5. Escriba la contraseña que introdujo anteriormente y haga clic en **OK** (Aceptar).

**Nota:** Si ha perdido u olvidado la contraseña, la cámara debe restablecerse a los valores iniciales. Consulte la página 103.

## Acceso a la transmisión de vídeo

La página Live View (Visualización en directo) de la cámara de red aparece con enlaces a las herramientas de configuración que le permiten personalizar la cámara.

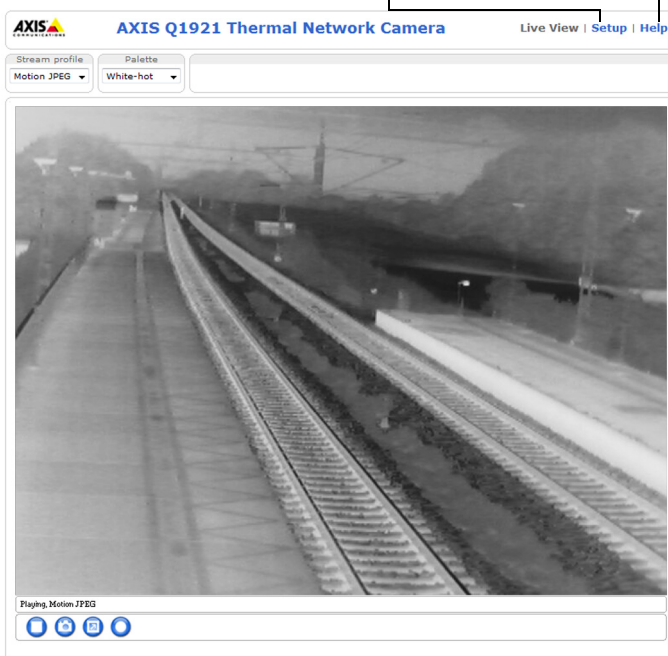
En caso necesario, haga clic en **Yes (Sí)** para instalar el AMC (AXIS Media Control), que permite ver la transmisión de vídeo en Internet Explorer. Para ello, debe tener derechos de administrador en el equipo.

Si es necesario, haga clic en el enlace para instalar los decodificadores que falten.

**Nota:** Para instalar AMC en Windows Vista y Windows 7, debe ejecutar Internet Explorer como administrador. Haga clic con el botón derecho en el icono de Internet Explorer y seleccione **Ejecutar como administrador**.

**Setup:** proporciona todas las herramientas necesarias para configurar la cámara según sus necesidades.

**Help:** muestra ayuda en línea sobre todos los aspectos del uso de la cámara.

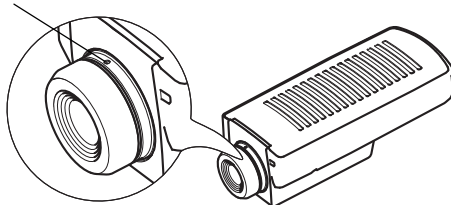


## Ajuste del enfoque - AXIS Q1921/-E/Q1922/-E

Si se requiere, siga estas instrucciones para enfocar la cámara AXIS Q1921/-E/Q1922/-E:

1. Desatornille el tornillo de retención en la lente con un destornillador para tornillos ranurados de 1,8 mm.

Tornillo de retención



2. Enfoque la cámara en la distancia adecuada. Consulte en la tabla siguiente las distancias de enfoque recomendadas para lograr un enfoque óptimo tanto cercano como infinito.

Objetivo	10 mm	19 mm	35 mm	60 mm
AXIS Q1921/-E	2 m (6,6 pies)	8 m (26,2 pies)	22 m (72,2 pies)	60 m (196,9 pies)
AXIS Q1922/-E	3 m (9.8 pies)	10 m (32.8 pies)	33 m (108.2 pies)	90 m (295.3 pies)

3. Fije el tornillo de retención.

### Nota:

La cámara AXIS Q1910/-E tiene un objetivo de enfoque fijo establecido en infinito y no se puede ajustar.

## Otros métodos para configurar la dirección IP

En esta tabla se presentan otros métodos disponibles para configurar o detectar la dirección IP. Todos los métodos están habilitados de forma predeterminada y es posible deshabilitarlos.

	Uso en sistema operativo	Notas
UPnP™	Windows	Siempre que esta opción esté habilitada, el equipo detecta y añade automáticamente la cámara a "Mis sitios de red".
Bonjour	MAC OSX (10.4 o posterior)	Aplicable a navegadores compatibles con Bonjour. Desplácese hasta el favorito Bonjour del navegador (p. ej., Safari) y haga clic en el enlace para acceder a las páginas web de la cámara.
Servicio de DNS dinámico de AXIS	Todos	Servicio gratuito suministrado por Axis que permite instalar la cámara de forma rápida y sencilla. Es necesario disponer de conexión a Internet sin proxy HTTP. Para obtener más información, consulte <a href="http://www.axiscam.net">www.axiscam.net</a> .
ARP/Ping	Todos	Consulte la información a continuación. El comando debe emitirse en los dos minutos posteriores al encendido de la cámara.
Servidor DHCP	Todos	Para acceder a las páginas de administración del servidor DHCP en red, consulte la documentación del servidor.

### AXIS Video Hosting System (AVHS)

La cámara también se puede conectar a un servicio AVHS de vídeo alojado. Si se ha suscrito a un servicio AVHS, siga las instrucciones incluidas en la Guía de instalación del proveedor de servicios. Para obtener más información y asistencia para encontrar un proveedor de servicios AVHS local, visite [www.axis.com/hosting](http://www.axis.com/hosting).

Se incluye una **Clave de autenticación del propietario de la cámara** con este producto. La clave está asociada al número de serie (S/N) exclusivo de la cámara, que se muestra en la parte superior de la etiqueta.

#### Nota:

Conserve la clave para referencia en el futuro.

## Configuración de la dirección IP con ARP/Ping

1. Adquiera una dirección IP en el mismo segmento de red en el que está conectado su equipo.
2. Localice el número de serie (S/N) en la etiqueta de producto de la cámara.
3. Abra una línea de comando en su equipo y escriba los comandos siguientes:

<b>Sintaxis en Windows:</b>	<b>Ejemplo en Windows:</b>
arp -s <Dirección IP> <Número de serie> ping -l 408 -t <Dirección IP>	arp -s 192.168.0.125 00-40-8c-18-10-00 ping -l 408 -t 192.168.0.125
<b>Sintaxis en UNIX/Linux/Mac:</b>	<b>Ejemplo en UNIX/Linux/Mac:</b>
arp -s <Dirección IP> <Número de serie> temp ping -s 408 <Dirección IP>	arp -s 192.168.0.125 00:40:8c:18:10:00 temp ping -s 408 192.168.0.125

4. Compruebe que el cable de red esté conectado a la cámara y desconecte y vuelva a conectar la corriente para iniciarla o reiniciarla.
5. Cierre la línea de comando cuando vea "Reply from 192.168.0.125:" (Respuesta de 192.168.0.125:) ... o similar.
6. En el navegador, escriba `http://<dirección IP>` en el campo Localización/Dirección y pulse Intro en el teclado.

### Notas:

- Para abrir una línea de comando en Windows: desde el menú Inicio, seleccione Ejecutar... y escriba cmd. Haga clic en Aceptar.
- Para utilizar el comando ARP en Windows Vista, haga clic con el botón derecho del ratón en el icono de línea de comando y seleccione Ejecutar como administrador.
- Para utilizar el comando ARP en un sistema operativo Mac OS X, emplee la herramienta Terminal, que se encuentra en Aplicaciones > Utilidades.

## Restablecimiento de los valores iniciales

Esta operación restaurará todos los parámetros, incluida la dirección IP, a los valores iniciales:

1. Desconecte la alimentación de la cámara.
2. Mantenga pulsado el botón de control y vuelva a conectar la alimentación.
3. Mantenga pulsado el botón de control hasta que el indicador de estado emita una luz ámbar (puede tardar hasta 15 segundos en encenderse).
4. Suelte el botón de control. Cuando el indicador de estado emita una luz verde (lo que puede tardar hasta 1 minuto), habrá finalizado el proceso y se habrán restablecido los valores iniciales de la cámara.
5. Vuelva a asignar la dirección IP utilizando uno de los métodos descritos en este documento.

También es posible restablecer los parámetros a la configuración predeterminada original mediante la interfaz web. Para obtener más información, consulte la ayuda en línea o el Manual del usuario.

## Acceso a la cámara desde Internet

Una vez instalada, podrá acceder a la cámara de red desde su red local (LAN). Para acceder a la cámara desde Internet, los routers de red deben configurarse para permitir tráfico entrante, cosa que normalmente se realiza en un puerto específico.

- Puerto HTTP (puerto 80 predeterminado) para visualización y configuración
- Puerto RTSP (puerto 554 predeterminado) para visualización de transmisiones de vídeo H.264

Consulte la documentación de su router para obtener más instrucciones. Para más información sobre este y otros temas, visite el sitio web de ayuda de Axis en [www.axis.com/techsup](http://www.axis.com/techsup).

## Más información

El Manual del usuario está disponible en el sitio web de Axis, [www.axis.com](http://www.axis.com), o en el CD de productos de vídeo en red de Axis suministrado con este producto.

### Un consejo:

Visite [www.axis.com/techsup](http://www.axis.com/techsup) para comprobar si hay disponible firmware actualizado para su cámara de red. Para consultar la versión firmware que tiene instalada actualmente, vaya a Setup (Configuración) > About (Acerca de).

### Más información

Visite el centro de formación de Axis [www.axis.com/academy](http://www.axis.com/academy) para consultar cursos, seminarios web, tutoriales y guías de gran utilidad.





## Liability

Every care has been taken in the preparation of this document. Please inform your local Axis office of any inaccuracies or omissions. Axis Communications AB cannot be held responsible for any technical or typographical errors and reserves the right to make changes to the product and documentation without prior notice. Axis Communications AB makes no warranty of any kind with regard to the material contained within this document, including, but not limited to, the implied warranties of merchantability and fitness for a particular purpose. Axis Communications AB shall not be liable nor responsible for incidental or consequential damages in connection with the furnishing, performance or use of this material. This product is only to be used for its intended purpose.

## RoHS

This product complies with both the European RoHS directive, 2002/95/EC, and the Chinese RoHS regulations, ACPEIP.



## WEEE Directive

The European Union has enacted a Directive 2002/96/EC on Waste Electrical and Electronic Equipment (WEEE Directive). This directive is applicable in the European Union member states.

The WEEE marking on this product (see right) or its documentation indicates that the product must not be disposed of together with household waste. To prevent possible harm to human health and/or the environment, the product must be disposed of in an approved and environmentally safe recycling process. For further information on how to dispose of this product correctly, contact the product supplier, or the local authority responsible for waste disposal in your area.



Business users should contact the product supplier for information on how to dispose of this product correctly. This product should not be mixed with other commercial waste.

## Support

Should you require any technical assistance, please contact your Axis reseller. If your questions cannot be answered immediately, your reseller will forward your queries through the appropriate channels to ensure a rapid response. If you are connected to the Internet, you can:

- download user documentation and firmware updates
- find answers to resolved problems in the FAQ database. Search by product, category, or phrases
- report problems to Axis support by logging in to your private support area

Installation Guide

AXIS Q19 Thermal Camera Series

© Axis Communications AB, 2010-2012

Ver.3.1

Printed: June 2012

Part No. 47317