

ENGLISH

FRANÇAIS

DEUTSCH

ITALIANO

ESPAÑOL

日本語

AXIS Q1615 Network Camera

Installation Guide

Legal Considerations

Video and audio surveillance can be regulated by laws that vary from country to country. Check the laws in your local region before using this product for surveillance purposes.

This product includes one (1) H.264 decoder license and one (1) AAC decoder license. To purchase further licenses, contact your reseller.

Liability

Every care has been taken in the preparation of this document. Please inform your local Axis office of any inaccuracies or omissions. Axis Communications AB cannot be held responsible for any technical or typographical errors and reserves the right to make changes to the product and manuals without prior notice. Axis Communications AB makes no warranty of any kind with regard to the material contained within this document, including, but not limited to, the implied warranties of merchantability and fitness for a particular purpose. Axis Communications AB shall not be liable nor responsible for incidental or consequential damages in connection with the furnishing, performance or use of this material. This product is only to be used for its intended purpose.

Intellectual Property Rights

Axis AB has intellectual property rights relating to technology embodied in the product described in this document. In particular, and without limitation, these intellectual property rights may include one or more of the patents listed at www.axis.com/patent.htm and one or more additional patents or pending patent applications in the US and other countries.

This product contains licensed third-party software. See the menu item "About" in the product's user interface for more information.

This product contains source code copyright Apple Computer, Inc., under the terms of Apple Public Source License 2.0 (see www.opensource.apple.com/aps/). The source code is available from <https://developer.apple.com/bonjour/>

Equipment Modifications

This equipment must be installed and used in strict accordance with the instructions given in the user documentation. This equipment contains no user-serviceable components. Unauthorized equipment changes or modifications will invalidate all applicable regulatory certifications and approvals.

Trademark Acknowledgments

AXIS COMMUNICATIONS, AXIS, ETRAX, ARTPEC and VAPIX are registered trademarks or trademark applications of Axis AB in various jurisdictions. All other company names and products are trademarks or registered trademarks of their respective companies.

Apple, Boa, Apache, Bonjour, Ethernet, Internet Explorer, Linux, Microsoft, Mozilla, Real, SMPTE, QuickTime, UNIX, Windows, Windows Vista and WWW are registered trademarks of the respective holders. Java and all Java-based trademarks and logos are trademarks or registered trademarks of Oracle and/or its affiliates. UPnP™ is a certification mark of the UPnP™ Implementers Corporation.

SD, SDHC and SDXC are trademarks or registered trademarks of SD-3C, LLC in the United States, other countries or both. Also, miniSD, microSD, miniSDHC, microSDHC, microSDXC are all trademarks or registered trademarks of SD-3C, LLC in the United States, other countries or both.

Support

Should you require any technical assistance, please contact your Axis reseller. If your questions cannot be answered immediately, your reseller will forward your queries through the appropriate channels to ensure a rapid response. If you are connected to the Internet, you can:

- download user documentation and software updates
- find answers to resolved problems in the FAQ database. Search by product, category, or phrase
- report problems to Axis support staff by logging in to your private support area
- chat with Axis support staff (selected countries only)
- visit Axis Support at www.axis.com/techsup/

Learn More!

Visit Axis learning center www.axis.com/academy/ for useful trainings, webinars, tutorials and guides.

Regulatory Information

Europe

CE This product complies with the applicable CE marking directives and harmonized standards:

- Electromagnetic Compatibility (EMC) Directive 2004/108/EC. See *Electromagnetic Compatibility (EMC) on page 2.*
- Low Voltage (LVD) Directive 2006/95/EC. See *Safety on page 3.*
- Restrictions of Hazardous Substances (RoHS) Directive 2011/65/EU. See *Disposal and Recycling on page 3.*

A copy of the original declaration of conformity may be obtained from Axis Communications AB. See *Contact Information on page 3.*

Electromagnetic Compatibility (EMC)

This equipment has been designed and tested to fulfill applicable standards for:

- Radio frequency emission when installed according to the instructions and used in its intended environment.
- Immunity to electrical and electromagnetic phenomena when installed according to the instructions and used in its intended environment.

USA

Using an unshielded network cable (UTP) – This equipment has been tested using an unshielded network cable (UTP) and found to comply with the limits for a Class A digital device, pursuant to part 15 of the FCC Rules. These limits are designed to provide reasonable protection against harmful interference when the equipment is operated in a commercial environment. This equipment generates, uses, and can radiate radio frequency energy and, if not installed and used in accordance with the instruction manual, may cause harmful interference to radio communications. Operation of this equipment in a residential area is likely to cause harmful interference in which case the user will be required to correct the interference at his own expense.

Using a shielded network cable (STP) – This equipment has also been tested using a shielded network cable (STP) and found to comply with the limits for a Class B digital device, pursuant to part 15 of the FCC Rules. These limits are designed to provide reasonable protection against harmful interference in a residential installation. This equipment generates, uses and can radiate radio frequency energy and, if not installed and used in accordance with the instructions, may cause harmful interference to radio communications. However, there is no guarantee that interference will not occur in a particular installation. If this equipment does cause harmful interference to radio or

television reception, which can be determined by turning the equipment off and on, the user is encouraged to try to correct the interference by one or more of the following measures:

- Reorient or relocate the receiving antenna.
- Increase the separation between the equipment and receiver.
- Connect the equipment into an outlet on a circuit different from that to which the receiver is connected.
- Consult the dealer or an experienced radio/TV technician for help.

To be used in a residential area or a demanding electrical environment, the product shall be connected using a shielded network cable (STP) that is properly grounded.

Canada

This Class B digital apparatus complies with Canadian ICES-003. The product shall be connected using a shielded network cable (STP) that is properly grounded.

Cet appareil numérique de la classe B est conforme à la norme NMB-003 du Canada. Le produit doit être connecté à l'aide d'un câble réseau blindé (STP) qui est correctement mis à la terre.

Europe

This digital equipment fulfills the requirements for RF emission according to the Class B limit of EN 55022. The product shall be connected using a shielded network cable (STP) that is properly grounded.

This product fulfills the requirements for immunity according to EN 61000-6-1 residential, commercial and light-industrial environments.

This product fulfills the requirements for immunity according to EN 61000-6-2 industrial environments.

This product fulfills the requirements for immunity according to EN 55024 office and commercial environments

Australia/New Zealand

This digital equipment fulfills the requirements for RF emission according to the Class B limit of AS/NZS CISPR 22. The product shall be connected using a shielded network cable (STP) that is properly grounded.

Japan

この装置は、クラスB情報技術装置です。この装置は、家庭環境で使用することを目的としていますが、この装置がラジオやテレビジョン受信機に近接して使用されると、受信障害を引き起こすことがあります。取扱説明書に従って正しい取り扱いをして下さい。本製品は、シールドネットワークケーブル(STP)を使用して接続してください。また適切に接地してください。

Korea

이 기기는 가정용(B급) 전자파적합기기로서 주로 가정에서 사용하는 것을 목적으로 하며, 모든 지역에서 사용할 수 있습니다. 적절히 접지된 STP (shielded twisted pair) 케이블을 사용하여 제품을 연결 하십시오.

Safety

This product complies with IEC/EN/UL 60950-1, Safety of Information Technology Equipment. If its connecting cables are routed outdoors, the product shall be grounded either through a shielded network cable (STP) or other appropriate method.

The power supply used with this product shall fulfill the requirements for Safety Extra Low Voltage (SELV) and Limited Power Source (LPS) according to IEC/EN/UL 60950-1.

Disposal and Recycling

When this product has reached the end of its useful life, dispose of it according to local laws and regulations. For information about your nearest designated collection point, contact your local authority responsible for waste disposal. In accordance with local legislation, penalties may be applicable for incorrect disposal of this waste.

Europe



■ This symbol means that the product shall not be disposed of together with household or commercial waste. Directive 2012/19/EU on waste electrical and electronic equipment (WEEE) is applicable in the European Union member states. To prevent potential harm to human health and the environment, the product must be disposed of in an approved and environmentally safe recycling process. For information about your nearest designated collection point, contact your local authority responsible for waste disposal. Businesses should contact the product supplier for information about how to dispose of this product correctly.

This product complies with the requirements of Directive 2011/65/EU on the restriction of the use of certain hazardous substances in electrical and electronic equipment (RoHS).

China



Ⓢ This product complies with the requirements of the legislative act Administration on the Control of Pollution Caused by Electronic Information Products (ACPEIP).

Contact Information

Axis Communications AB
Emdalavägen 14
223 69 Lund
Sweden

Tel: +46 46 272 18 00

Fax: +46 46 13 61 30

www.axis.com

Safety Information

Read through this Installation Guide carefully before installing the product. Keep the Installation Guide for future reference.

Hazard Levels

▲DANGER

Indicates a hazardous situation which, if not avoided, will result in death or serious injury.

▲WARNING

Indicates a hazardous situation which, if not avoided, could result in death or serious injury.

▲CAUTION

Indicates a hazardous situation which, if not avoided, could result in minor or moderate injury.

NOTICE

Indicates a situation which, if not avoided, could result in damage to property.

Other Message Levels

Important

Indicates significant information which is essential for the product to function correctly.

Note

Indicates useful information which helps in getting the most out of the product.

Safety Instructions

NOTICE

- The Axis product shall be used in compliance with local laws and regulations.
- To use the Axis product outdoors, or in similar environments, it shall be installed in an approved outdoor housing.
- Store the Axis product in a dry and ventilated environment.
- Avoid exposing the Axis product to shocks or heavy pressure.
- Do not install the product on unstable brackets, surfaces or walls.
- Use only applicable tools when installing the Axis product. Excessive force could cause damage to the product.
- Do not use chemicals, caustic agents, or aerosol cleaners. Use a clean cloth dampened with pure water for cleaning.
- Use only accessories that comply with technical specification of the product. These can be provided by Axis or a third party.
- Use only spare parts provided by or recommended by Axis.
- Do not attempt to repair the product by yourself. Contact Axis support or your Axis reseller for service matters.

Transportation

NOTICE

- When transporting the Axis product, use the original packaging or equivalent to prevent damage to the product.

Battery

The Axis product uses a 3.0 V BR/CR2032 lithium battery as the power supply for its internal real-time clock (RTC). Under normal conditions this battery will last for a minimum of five years.

Low battery power affects the operation of the RTC, causing it to reset at every power-up. When the battery needs replacing, a log message will appear in the product's server report. For more information about the server report, see the product's setup pages or contact Axis support.

The battery should not be replaced unless required, but if the battery does need replacing, contact Axis support at www.axis.com/techsup for assistance.

⚠WARNING

- Risk of explosion if the battery is incorrectly replaced.
- Replace only with an identical battery or a battery which is recommended by Axis.
- Dispose of used batteries according to local regulations or the battery manufacturer's instructions.

Installation Guide

This Installation Guide provides instructions for installing AXIS Q1615 Network Camera on your network. For other aspects of using the product, see the User Manual available at www.axis.com

Installation Steps

1. Make sure the package contents, tools and other materials necessary for the installation are in order. See *page 9*.
2. Study the hardware overview. See *page 10*.
3. Study the specifications. See *page 14*.
4. Install the hardware. See *page 18*.
5. Access the product. See *page 18*.
6. Set the focus. See *page 18*.

Package Contents

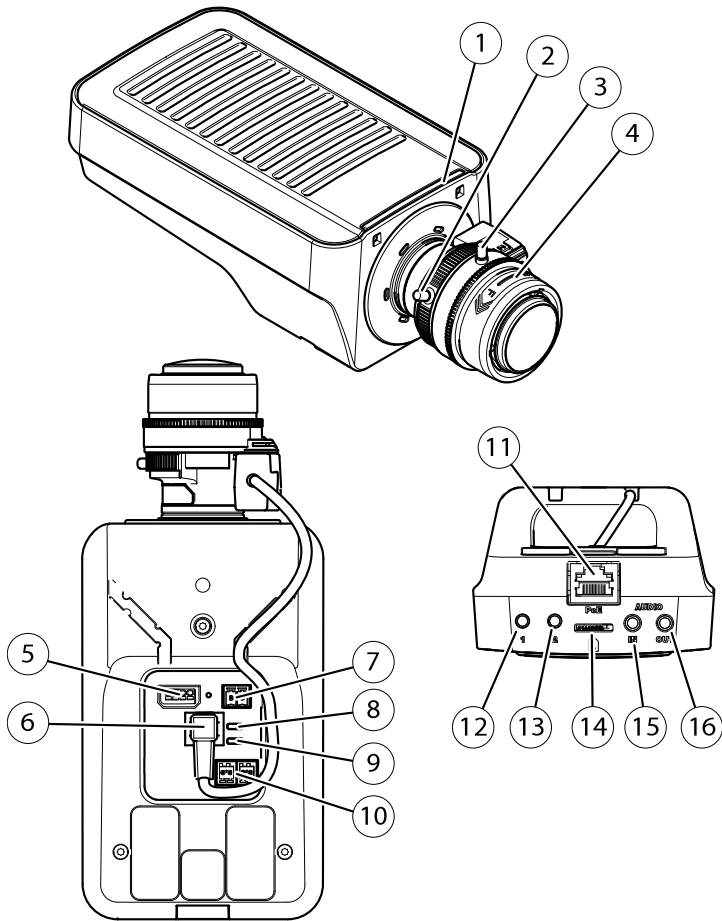
- AXIS Q1615 Network Camera
- 2-pin connector block for power input
- 4-pin I/O connector block for connecting external devices
- 2-pin RS485/422 connector block (x2)
- Camera stand
- Torx screwdriver T20
- Installation and Management Software CD
- Printed materials
 - Installation Guide (this document)
 - Extra serial number label (x2)
 - AVHS Authentication key

Optional Accessories

For information about available accessories, including power accessories and outdoor housings see www.axis.com

AXIS Q1615 Network Camera

Hardware Overview



1. Status LED indicator
2. Zoom puller
3. Lock screw for focus ring
4. Focus ring
5. I/O connector
6. Iris connector
7. Power connector
8. Power LED indicator
9. Network LED indicator

10. RS485/RS422 connector
11. Network connector (PoE)
12. Control button (1)
13. Function button (2)
14. microSD Card slot
15. Audio in
16. Audio out

LED Indicators

LED	Color	Indication
Net-work	Green	Steady for connection to a 100 Mbit/s network. Flashes for network activity.
	Amber	Steady for connection to a 10 Mbit/s network. Flashes for network activity.
	Unlit	No network connection.
Status	Green	Steady green for normal operation.
	Amber	Steady during startup and when restoring settings.
	Red	Slow flash for failed upgrade.
Power	Green	Normal operation.
	Amber	Flashes green/amber during firmware upgrade.

Note

- The Status LED can be configured to be unlit during normal operation. To configure, go to **Setup > System Options > Ports & Devices > LED**. See the online help for more information.
- The Status LED can be configured to flash while an event is active.
- The Status LED can be configured to flash for identifying the unit. Go to **Setup > System Options > Maintenance**.
- The Power LED can be configured to be unlit during normal operation. To configure, go to **Setup > System Options > Ports & Devices > LED**. See the online help for more information.
- The Network LED can be disabled so that it does not flash when there is network traffic. To configure, go to **Setup > System Options > Ports & Devices > LED**. See the online help for more information.

AXIS Q1615 Network Camera

Status LED Behavior for Focus Assistant

Color	Indication
Green	Focus Assistant is enabled The lens is optimally adjusted
Amber	The camera has been moved, or an object has been inserted in front of the lens. Exit and restart the Focus Assistant. The lens is less optimally adjusted.
Red	The camera has been moved, or an object has been inserted in front of the lens. Exit and restart the Focus Assistant. The lens is poorly adjusted.

Buzzer Signal for Focus Assistant

Buzzer	Lens
Fast interval	Optimally adjusted
Medium interval	Less optimally adjusted
Slow interval	Poorly adjusted

Status LED Behavior and Buzzer Signal for Levelling Assistant

For information on the Function button used for levelling the camera, see *Connectors and Buttons*.

Color	Buzzer	Camera position
Fixed green	Continuous beep	Level
Flashing green	Fast interval	Almost level
Flashing orange	Medium interval	Not level
Flashing red	Slow interval	Far from level

Connectors and Buttons

For specifications and operating conditions, see *page 14*.

Network Connector

RJ45 Ethernet connector with Power over Ethernet (PoE).

NOTICE

Due to local regulations or the environmental and electrical conditions in which the product is to be used, a shielded network cable (STP) may be appropriate or required. All cables connecting the product to the network and that are routed outdoors or in demanding electrical environments shall be intended for their specific use. Make sure that the network devices are installed in accordance with the manufacturer's instructions. For information about regulatory requirements, see *Electromagnetic Compatibility (EMC) on page 2*.

I/O Connector

Use with external devices in combination with, for example, tampering alarms, motion detection, event triggering, time lapse recording and alarm notifications. In addition to the 0 V DC reference point and power (DC output), the I/O connector provides the interface to:

- **Digital output** – For connecting external devices such as relays and LEDs. Connected devices can be activated by the VAPIX® Application Programming Interface, output buttons on the Live View page or by an Action Rule. The output will show as active (shown under **System Options > Ports & Devices**) if the alarm device is activated.
- **Digital input** – An alarm input for connecting devices that can toggle between an open and closed circuit, for example: PIRs, door/window contacts, glass break detectors, etc. When a signal is received the state changes and the input becomes active (shown under **System Options > Ports & Devices**).

Power Connector

2-pin terminal block for power input. Use a Safety Extra Low Voltage (SELV) compliant limited power source (LPS) with either a rated output power limited to ≤ 100 W or a rated output current limited to ≤ 5 A.

Audio Connector

The Axis product has the following audio connectors:

- **Audio in (pink)** – 3.5 mm input for a mono microphone, or a line-in mono signal (left channel is used from a stereo signal).
- **Audio out (green)** – 3.5 mm output for audio (line level) that can be connected to a public address (PA) system or an active speaker with a built-in amplifier. A stereo connector must be used for audio out.

RS485/RS422 Connector

Two terminal blocks for RS485/RS422 serial interface used to control auxiliary equipment such as PTZ devices.

AXIS Q1615 Network Camera

SD Card Slot

A microSD card (not included) can be used for local recording with removable storage. For more information, see *Specifications on page 14*.

NOTICE

To prevent corruption of recordings, the SD card should be unmounted before removal. To unmount, go to **Setup > System Options > Storage > SD Card** and click **Unmount**.

Control Button

The control button is used for:

- Resetting the product to factory default settings. See *page 21*.
- Connecting to an AXIS Video Hosting System service or AXIS Internet Dynamic DNS Service. For more information about these services, see the User Manual.

Function Button

The function button has multiple functions:

- **Levelling assistant** – This function helps to ensure the camera is level. Press the button for about 3 seconds to start the levelling assistant and press again to stop the leveling assistant. The status LED (see *page 12*) and buzzer signal (see *page 12*) assist levelling of the camera. The camera is level when the buzzer beeps continuously.
- **Focus assistant** – This function is used for enabling the Focus Assistant. To enable the focus assistant, press and very quickly release the button. Press again to stop the focus assistant. For more information, see *page 19*.

Specifications

Operating Conditions

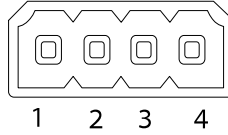
The Axis product is intended for indoor use.

Product	Temperature	Humidity
AXIS Q1615	0 °C to 55 °C (32 °F to 122 °F)	10-85% RH (non-condensing)

I/O connector

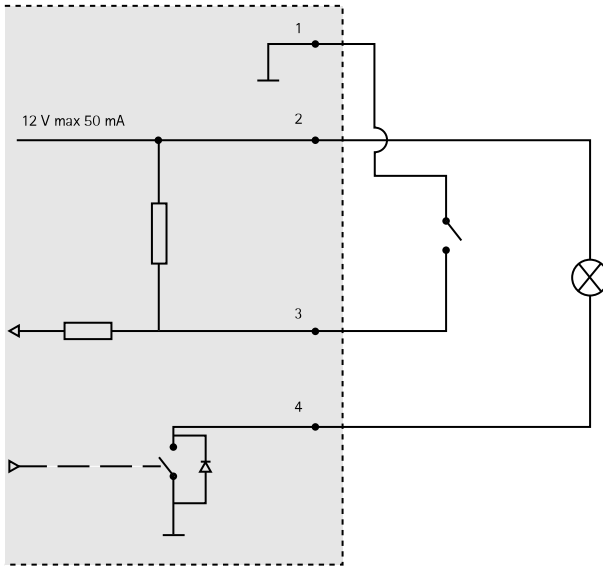
4-pin terminal block for:

- 0 V DC (-)
- Auxiliary power (DC output)
- Digital Input
- Digital Output



Function	Pin	Notes	Specifications
0 V DC (-)	1		
DC output	2	Can be used to power auxiliary equipment. Note: This pin can only be used as power out.	12 V DC Max load = 50 mA
Configurable (Input or Output)	3- 4	Digital input – Connect to pin 1 to activate, or leave floating (unconnected) to deactivate.	0 to max 30 V DC
		Digital output – Connected to pin 1 when activated, floating (unconnected) when deactivated. If used with an inductive load, e.g. a relay, a diode must be connected in parallel with the load, for protection against voltage transients.	0 to max 30 V DC, open drain, 100 mA

AXIS Q1615 Network Camera

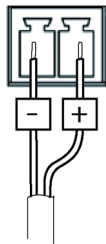


- 3. I/O configured as input
- 4. I/O configured as output

Power Connector

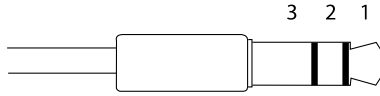
2-pin terminal block for power input. Use a Safety Extra Low Voltage (SELV) compliant limited power source (LPS) with either a rated output power limited to ≤ 100 W or a rated output current limited to ≤ 5 A.

DC power input



Audio Connector

3.5 mm audio connectors (stereo)

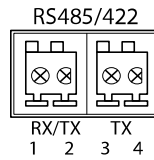


	Audio Input	Audio Output
1 Tip	Microphone/Line in	Line out (mono)
2 Ring		
3 Sleeve	Ground	Ground

RS485/422 Connector

Two 2-pin terminal blocks for RS485/RS422 serial interface. The serial port can be configured to support:

- Two-wire RS485 half duplex
- Four-wire RS485 full duplex
- Two-wire RS422 simplex
- Four-wire RS422 full duplex point to point communication



Function	Pin	Notes
RS485B alt RS485/422 RX(B)	1	RX pair for all modes (combined RX/TX for 2-wire RS485)
RS485A alt RS485/422 RX(A)	2	
RS485/RS422 TX(B)	3	TX pair for RS422 and 4-wire RS485
RS485/RS422 TX(A)	4	

Important

The recommended maximum cable length is 30 m (98.4 ft).

SD Card Slot

Supports microSD cards with up to 64 GB of storage. For best recording performance, use a microSDHC UHS-I or microSDXC UHS-I card. In temperatures below -25° C use industrial grade SD card.

Install the Hardware

NOTICE

Due to local regulations or the environmental and electrical conditions in which the product is to be used, a shielded network cable (STP) may be appropriate or required. Any network cables that are routed outdoors or in demanding electrical environments shall be shielded (STP) and intended for their specific use.

1. Optionally connect external input/output devices, such as alarm devices. See *on page 14* for information on the terminal connector pins.
2. Optionally connect an active speaker and/or external microphone.
3. Connect the camera to the network using a shielded network cable.
4. Connect power, using one of the methods listed below:
 - PoE (Power over Ethernet). PoE is automatically detected when the network cable is connected.
 - Connect an external power adapter to the power connector block. See *Connectors and Buttons on page 12*.
5. Check that the indicator LEDs indicate the correct conditions. See the table on *page 11* for more details. Note that the Status LED can be configured to be unlit during normal operation.
6. Optionally insert a microSD card (not included) into the SD card slot.

NOTICE

To prevent corruption of recordings, the SD card should be unmounted before it is ejected. To unmount, go to **Setup > System Options > Storage > SD Card** and click **Unmount**.

Access the Product

Use the tools provided on the Installation and Management Software CD to assign an IP address, set the password and access the video stream. This information is also available from the support pages on www.axis.com/techsup/

Adjust Focus

To adjust the zoom and focus follow these instructions:

Note

- Set focus as precisely as possible with the focus ring or Focus Assistant before starting automatic fine tuning. Using the focus ring normally gives the best result.
- The iris should always be opened to its maximum while focusing. This gives the smallest depth of field and thus the best conditions for correct focusing.

1. Open the product's home page and go to **Setup > Basic Setup > Focus**.
2. Under the **Basic** tab, click **Open iris**. If the button is inactive the iris is already open.
3. If focus has been set before, click **Reset** to reset the back focus.
4. Loosen the zoom puller and the lock screw for the focus ring (see *Hardware Overview on page 10*) on the lens by turning them counter-clockwise. Move the zoom puller and the focus ring to set zoom and focus and check the quality of the image in the image window. If the camera is mounted so that you cannot look at the image and move the zoom puller and the focus ring at the same time, use the Focus Assistant instead. See *Focus Assistant on page 19*.
5. Re-tighten the zoom puller and the lock screw for the focus ring.
6. On the Focus page, click **Fine-tune focus automatically** and wait until automatic fine tuning is completed.
7. Click **Enable iris**. If the button is inactive the iris is already enabled.
8. If needed, make further adjustments under the **Advanced** tab. See the online help for more information.

Focus Assistant

Note

- The view in front of the camera should not be changed during focus adjustment (steps 5 and 6). If the camera is moved, or if a finger or other object is placed in front of the lens, steps 3 - 7 will have to be repeated.
- If movements in front of the camera cannot be avoided, the Focus Assistant should not be used.
- If the camera is mounted so that the Function button cannot be accessed, you can still use the Focus Assistant. Follow the instructions above but mount the camera after step 4, pressing the Function button instead and skip step 7.

To focus your network camera using the Focus Assistant, follow steps 1 - 3 on *page 18* before you start with the steps below. See *Hardware Overview on page 10*.

1. Mount or place the camera so that it cannot be moved.
2. Loosen the zoom puller by turning it counter-clockwise. Move the puller to set the zoom level. Re-tighten the zoom puller.
3. Set the camera to its extreme distant-focus position by loosening the lock screw for the focus ring and turning the focus ring fully counter-clockwise.
4. Press and quickly release the Function button. When the Status LED flashes green, the Focus Assistant is enabled.

If the Status LED flashes either red or amber before you are able to adjust the lens, skip to step 7 to exit the Focus Assistant and repeat steps 3 - 7. See the notes above. See *Status LED Behavior for Focus Assistant on page 12*.

5. Gently turn the focus ring clockwise until it stops.

6. Turn the focus ring slowly counter-clockwise until the status indicator flashes green or amber (not red).
7. To exit the Focus Assistant, press the Function button again. The Focus Assistant is switched off automatically after 15 minutes.
8. Retighten the lock screw for the focus ring.
9. Open the **Live View** page in the web browser and check the quality of the image.
10. On the Focus page, click **Fine-tune focus automatically** and wait until automatic fine tuning is completed.
11. Click **Enable iris**. If the button is inactive the iris is already enabled.
12. If needed, make further adjustments under the **Advanced** tab. See the online help for more information.

Replacing the lens

It is possible to use optional lenses for the Axis product.

To replace the lens:

1. Disconnect the iris cable.
2. Unscrew the standard lens.
3. Attach and screw on the new lens.

To change the iris configuration:

1. Go to **Setup > Video and Audio > Camera Settings**. **Iris configuration** shows the current configured iris type.
2. Click **Edit**.
3. Select the installed iris lens from the drop-down list and click **OK**.

To change the iris configuration for P-iris lenses not listed in the drop-down list:

1. Download the iris configuration file from www.axis.com
2. Go to **Setup > Video and Audio > Camera Settings**. **Iris configuration** shows the current configured iris type.
3. In **Iris configuration**: Click **Edit**.
4. Go to the **Upload** tab.
5. Click **Browse** and select the configuration file.
6. Click **Upload**. The installed iris lens should now be included in the **Iris Selection** drop-down list.
7. Select the installed iris lens from the drop-down list and click **OK**.

Note

- If you select a DC iris configuration file for a P-iris lens, an error message will appear below the iris configuration type in the **Camera Settings** page. For custom DC Iris lenses, select Generic DC Iris option.
- There is no need to restart the product after changing the lens. However, the product must be restarted if you are interchanging between a P-iris, DC-Iris or fixed/manual iris lens. In order to set the focus and position the lens, the product must be connected to the network.

Reset to Factory Default Settings

Important

Reset to factory default should be used with caution. A reset to factory default will reset all settings, including the IP address, to the factory default values.

Note

The installation and management software tools are available on the CD supplied with the product and from the support pages on www.axis.com/techsup

To reset the product to the factory default settings:

1. Disconnect power from the product.
2. Press and hold the control button and reconnect power. See *Hardware Overview on page 10*.
3. Keep the control button pressed for about 15–30 seconds until the status LED indicator flashes amber.
4. Release the control button. The process is complete when the status LED indicator turns green. The product has been reset to the factory default settings. If no DHCP server is available on the network, the default IP address is 192.168.0.90
5. Using the installation and management software tools, assign an IP address, set the password, and access the video stream.
6. Refocus the product.

It is also possible to reset parameters to factory default via the web interface. Go to **Setup > System Options > Maintenance**.

Further Information

The User Manual is available at www.axis.com

Visit www.axis.com/techsup to check if there is updated firmware available for your network product. To see the currently installed firmware version, go to **Setup > About**.

AXIS Q1615 Network Camera

Visit Axis learning center www.axis.com/academy for useful trainings, webinars, tutorials and guides.

Warranty Information

For information about Axis' product warranty and thereto related information, see www.axis.com/warranty/

Informations sur la sécurité

Lisez attentivement ce guide d'installation avant d'installer l'appareil. Conservez le guide d'installation pour toute référence ultérieure.

Niveaux de risques

▲DANGER

Indique une situation dangereuse qui, si elle n'est pas évitée, entraînera le décès ou des blessures graves.

▲AVERTISSEMENT

Indique une situation dangereuse qui, si elle n'est pas évitée, pourrait entraîner le décès ou des blessures graves.

▲ATTENTION

Indique une situation dangereuse qui, si elle n'est pas évitée, pourrait entraîner des blessures légères ou modérées.

AVIS

Indique une situation qui, si elle n'est pas évitée, pourrait endommager l'appareil.

Autres niveaux de message

Important

Indique les informations importantes, nécessaires pour assurer le bon fonctionnement de l'appareil.

Note

Indique les informations utiles qui permettront d'obtenir le fonctionnement optimal de l'appareil.

Consignes de sécurité

AVIS

- Le produit Axis doit être utilisé conformément aux lois et réglementations locales en vigueur.
- Pour pouvoir utiliser le produit Axis à l'extérieur, ou dans des environnements similaires, il doit être installé dans un boîtier d'extérieur homologué.
- Conserver ce produit Axis dans un environnement sec et ventilé.
- Ne pas exposer ce produit Axis aux chocs ou aux fortes pressions.
- Ne pas installer ce produit sur des supports, surfaces ou murs instables.
- Utiliser uniquement des outils recommandés pour l'installation de l'appareil Axis. Une force excessive appliquée sur l'appareil pourrait l'endommager.
- Ne pas utiliser de produits chimiques, de substances caustiques ou de nettoyeurs pressurisés. Utiliser un chiffon propre imbibé d'eau pure pour le nettoyage.
- Utiliser uniquement des accessoires conformes aux caractéristiques techniques du produit. Ils peuvent être fournis par Axis ou un tiers.
- Utiliser uniquement les pièces de rechange fournies ou recommandées par Axis.
- Ne pas essayer de réparer ce produit par vous-même. Contacter l'assistance technique d'Axis ou votre revendeur Axis pour des problèmes liés à l'entretien.

Transport

AVIS

- Lors du transport du produit Axis, utilisez l'emballage d'origine ou un équivalent pour éviter d'endommager le produit.

Batterie

Le produit Axis utilise une batterie au lithium BR/CR2032 3,0 V comme alimentation de son horloge en temps réel interne (RTC). Dans des conditions normales, cette batterie a une durée de vie minimale de cinq ans.

Si la batterie est faible, le fonctionnement de l'horloge en temps réel peut être affecté et entraîner sa réinitialisation à chaque mise sous tension. Un message enregistré apparaît dans le rapport de serveur du produit lorsque la batterie doit être remplacée. Pour tout complément d'information concernant le rapport de serveur, reportez-vous aux pages de Configuration du produit ou contactez l'assistance technique d'Axis.

La batterie doit être remplacée uniquement en cas de besoin, et pour ce faire, contactez l'assistance technique d'Axis à l'adresse www.axis.com/techsup pour obtenir de l'aide.

⚠AVERTISSEMENT

- Risque d'explosion si la batterie est remplacée de façon incorrecte.
- Remplacez-la uniquement par une batterie identique ou une batterie recommandée par Axis.
- Mettez au rebut les batteries usagées conformément aux réglementations locales ou aux instructions du fabricant de la batterie.

Guide d'installation

Ce guide d'installation vous explique comment installer la caméra réseau AXIS Q1615 sur votre réseau. Pour toute autre information relative à l'utilisation du produit, reportez-vous au manuel de l'utilisateur disponible sur le site www.axis.com

Procédures d'installation

1. Assurez-vous que les outils et autres matériels nécessaires à l'installation sont inclus dans l'emballage. Cf. *page 27*.
2. Consultez la description du matériel. Cf. *page 28*.
3. Étudiez les caractéristiques. Cf. *page 33*.
4. Installez le matériel. Cf. *page 36*.
5. Utilisez le produit. Cf. *page 37*.
6. Réglez la mise au point. Cf. *page 37*.

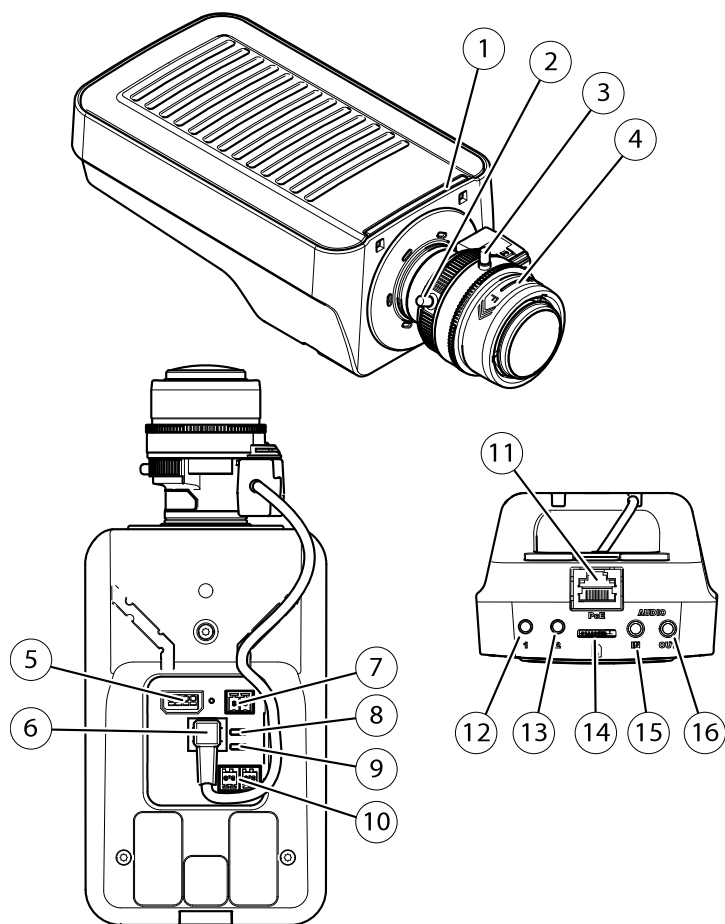
Contenu de l'emballage

- Caméra réseau AXIS Q1615
- Bloc de connexion à 2 broches utilisé pour l'alimentation en entrée
- Bloc de connexion à 4 broches pour le raccordement de dispositifs externes au connecteur pour terminaux E/S
- Bloc de connexion RS485/422 à 2 broches (x2)
- Support de caméra
- Tournevis Torx T20
- CD d'installation et de gestion
- Documents imprimés
 - Guide d'installation (ce document)
 - Étiquette de numéro de série supplémentaire (x2)
 - Clé d'authentification AVHS

Accessoires en option

Pour plus d'informations sur les accessoires disponibles, y compris les accessoires d'alimentation et les boîtiers d'extérieur, consultez www.axis.com

Aperçu du matériel



1. Voyant d'état
2. Commande de zoom
3. Vis de verrouillage de la bague de mise au point
4. Bague de mise au point
5. Connecteur d'E/S
6. Connecteur du diaphragme
7. Connecteur d'alimentation
8. Voyant DEL d'alimentation
9. Voyant DEL réseau

10. Connecteur RS485/RS422
11. Connecteur réseau (PoE)
12. Bouton de commande (1)
13. Bouton Fonction (2)
14. Logement de carte microSD
15. Entrée audio
16. Sortie audio

Voyants

Voyant	Couleur	Indication
Réseau	Vert	Fixe en cas de connexion à un réseau de 100 Mbits/s. Clignote en cas d'activité réseau.
	Orange	Fixe en cas de connexion à un réseau de 10 Mbits/s. Clignote en cas d'activité réseau.
	Éteint	Pas de connexion réseau.
État	Vert	Vert fixe en cas de fonctionnement normal.
	Orange	Fixe pendant le démarrage et lors de la restauration des paramètres.
	Rouge	Clignote lentement en cas d'échec de la mise à niveau.
Alimentation	Vert	Fonctionnement normal.
	Orange	Le voyant vert/orange clignote pendant la mise à niveau du microprogramme.

AXIS Q1615 Network Camera

Note

- Le voyant d'état peut être éteint pendant le fonctionnement normal. Pour ce faire, rendez-vous dans **Setup > System Options > Ports & Devices > LED (Configuration > Options système > Ports et dispositifs > DEL)**. Consultez l'aide en ligne pour plus d'informations.
- Le voyant d'état peut clignoter lorsqu'un événement est actif.
- Le voyant d'état peut clignoter pendant l'identification de l'appareil. Rendez-vous dans **Setup > System Options > Maintenance (Configuration > Options du système > Maintenance)**.
- Le voyant d'alimentation peut être éteint pendant le fonctionnement normal. Pour ce faire, rendez-vous dans **Setup > System Options > Ports & Devices > LED (Configuration > Options du système > Ports et dispositifs > DEL)**. Consultez l'aide en ligne pour plus d'informations.
- Le voyant de réseau peut être désactivé afin qu'il ne clignote pas en cas de trafic réseau. Pour ce faire, rendez-vous dans **Setup > System Options > Ports & Devices > LED (Configuration > Options du système > Ports et dispositifs > DEL)**. Consultez l'aide en ligne pour plus d'informations.

Comportement du voyant d'état pour l'assistant de mise au point

Couleur	Indication
Vert	L'assistant de mise au point est activé L'objectif est réglé de manière optimale.
Orange	La caméra a bougé ou un objet a été placé devant l'objectif. Quittez l'assistant de mise au point et recommencez. L'objectif est réglé de manière moins optimale.
Rouge	La caméra a bougé ou un objet a été placé devant l'objectif. Quittez l'assistant de mise au point et recommencez. L'objectif est mal réglé.

Signal sonore de l'assistant de mise au point

Avertisseur	Objectif
Intervalle rapide	Réglage optimal
Intervalle intermédiaire	Réglage moins optimal
Intervalle lent	Réglage médiocre

Comportement du voyant d'état et du signal sonore pour l'assistant de nivellement

Pour plus d'information sur le bouton Fonction utilisé pour le réglage du niveau de la caméra, consultez *Connecteurs et boutons*.

Couleur	Avertisseur	Position de la caméra
Vert fixe	Signal sonore continu	Niveau
Clignote en vert	Intervalle rapide	Presque à niveau
Orange clignotant	Intervalle intermédiaire	Pas à niveau
Rouge clignotant	Intervalle lent	Loin du niveau

Connecteurs et boutons

Pour les caractéristiques et les conditions d'utilisation, consultez *page 33*.

Connecteur réseau

Connecteur Ethernet RJ45. Prend en charge l'alimentation par Ethernet (PoE).

AVIS

Les réglementations locales ou les conditions environnementales et électriques dans lesquelles le produit est utilisé peuvent nécessiter l'utilisation d'un câble réseau blindé (STP). Tous les câbles réseau qui sont acheminés à l'extérieur ou dans des environnements électriques exigeants doivent être blindés (STP) et destinés à leur usage spécifique. Assurez-vous que le commutateur réseau est convenablement mis à la terre. Pour plus d'informations sur les exigences réglementaires, consultez *Electromagnetic Compatibility (EMC) on page 2*.

Connecteur d'E/S

Utilisez-le avec des périphériques externes associés aux applications telles que les alarmes de détérioration, la détection de mouvement, le déclenchement d'événements, l'enregistrement à intervalles et les notifications d'alarme. En plus du point de référence 0 V CC et de l'alimentation (sortie CC), le connecteur d'E/S fournit une interface aux éléments suivants :

- **Sortie numérique** – Permet de connecter des dispositifs externes, comme des relais ou des voyants. Les appareils connectés peuvent être activés par l'interface de programmation d'applications VAPIX®, des boutons de sortie sur la page Live View (Vidéo en direct) ou par une règle d'action. La sortie est considérée comme étant active (comme indiqué dans **System Options > Ports & Devices** (Options du système > Ports et dispositifs)) si le dispositif d'alarme est activé.

AXIS Q1615 Network Camera

- **Entrée numérique** – Entrée d'alarme utilisée pour connecter des dispositifs pouvant passer d'un circuit ouvert à un circuit fermé, par exemple : détecteurs infrarouge passifs, contacts de porte/fenêtre, détecteurs de bris de verre, etc. À la réception d'un signal, l'état change et l'entrée s'active (sous **System Options > Ports & Devices (Options du système > Ports et dispositifs)**).

Connecteur d'alimentation

Bloc terminal à 2 broches pour l'alimentation. Utilisez une source d'alimentation limitée (LPS) conforme aux exigences de Très basse tension de sécurité (TBTS) dont la puissance de sortie nominale est limitée à ≤ 100 W ou dont le courant de sortie nominal est limité à ≤ 5 A.

Connecteur audio

Le produit Axis dispose des connecteurs audio suivants :

- **Entrée audio (rose)** : entrée de 3,5 mm pour microphone mono ou signal d'entrée mono (le canal de gauche est utilisé pour le signal stéréo).
- **Sortie audio (verte)** : sortie de 3,5 mm (sortie de ligne) qui peut être connectée à un système de sonorisation (PA) ou à un haut-parleur actif avec amplificateur intégré. Un connecteur stéréo doit être utilisé pour la sortie audio.

Connecteur RS485/RS422

Deux blocs terminaux à 2 broches pour l'interface série RS485/RS422 utilisée pour commander les équipements auxiliaires, tels que les dispositifs PTZ.

Emplacement pour carte SD

Une carte microSD (non fournie) peut être utilisée pour l'enregistrement local sur stockage amovible. Pour en savoir plus, consultez *Caractéristiques techniques page 33*.

AVIS

Pour éviter la corruption des enregistrements, la carte SD doit être démontée avant son retrait. Pour ce faire, rendez-vous dans **Setup > System Options > Storage > SD Card (Configuration > Options du système > Stockage > Carte SD)** et cliquez sur **Unmount (Démonter)**.

Bouton de commande

Le bouton de commande permet de réaliser les opérations suivantes :

- Réinitialisation du produit aux paramètres d'usine par défaut. Cf. *page 40*.

- Connexion au service du Système d'hébergement vidéo AXIS ou au service AXIS Internet Dynamic DNS. Pour plus d'informations sur ces services, reportez-vous au Manuel de l'utilisateur.

Bouton Fonction

Le bouton Fonction permet de réaliser les opérations suivantes :

- **Assistant de nivellement** : cette fonction permet de s'assurer que la caméra est à niveau. Appuyez sur le bouton pendant environ 3 secondes pour démarrer l'assistant de nivellement et appuyez une nouvelle fois pour le désactiver. Le voyant d'état (cf. *page 31*) et le signal sonore (cf. *page 30*) vous aident lors du nivellement de la caméra. Lorsque l'avertisseur émet un signal sonore continu, cela signifie que la caméra est mise à niveau.
- **Assistant de mise au point** : cette fonction est utilisée pour activer l'assistant de mise au point. Pour activer l'assistant de mise au point, appuyez sur le bouton et relâchez-le très rapidement. Pour quitter l'assistant de mise au point, appuyez à nouveau sur le bouton. Pour en savoir plus, consultez *page 38*.

Caractéristiques techniques

Conditions d'utilisation

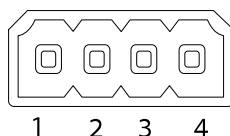
L'appareil Axis est destiné uniquement à une utilisation en intérieur.

Produit	Température	Humidité
AXIS Q1615	0 °C à 55 °C (32 °F à 122 °F)	Humidité relative de 10 à 85 % (sans condensation)

Connecteur d'E/S

Bloc terminal à 4 broches pour :

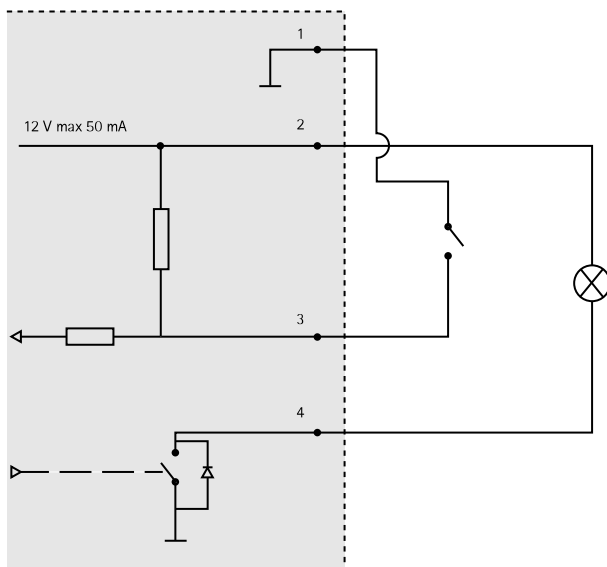
- Alimentation auxiliaire (sortie CC)
- Entrée numérique
- Sortie numérique
- 0 V CC (-)



Fonction	Broche	Notes	Caractéristiques
0 V CC (-)	1		

AXIS Q1615 Network Camera

Sortie CC	2	Peut servir à alimenter le matériel auxiliaire. Remarque : cette broche ne peut être utilisée que comme sortie d'alimentation.	12 V CC Charge maximale = 50 mA
Configurable (entrée ou sortie)	3-4	Entrée numérique – Connectez-la à la broche 1 pour l'activer ou laissez-la flotter (déconnectée) pour la désactiver.	0 à 30 V CC
		Sortie numérique – Connectée à la broche 1 lorsqu'elle est activée, flotte (déconnectée) lorsqu'elle est désactivée. Si vous l'utilisez avec une charge inductive, par exemple un relais, une diode doit être connectée en parallèle avec la charge, en guise de protection contre les tensions transitoires.	0 à 30 V CC max., drain ouvert, 100 mA

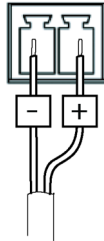


3. Entrée/sortie configurée comme entrée
4. Entrée/sortie configurée comme sortie

Connecteur d'alimentation

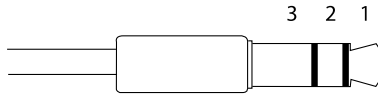
Bloc terminal à 2 broches pour l'alimentation. Utilisez une source d'alimentation limitée (LPS) conforme aux exigences de Très basse tension de sécurité (TBTS) dont la puissance de sortie nominale est limitée à ≤ 100 W ou dont le courant de sortie nominal est limité à ≤ 5 A.

Entrée d'alimentation CC



Connecteur audio

Connecteurs audio 3,5 mm (stéréo)

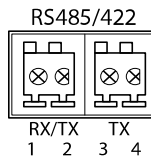


	Entrée audio	Sortie audio
1 Embout	Entrée micro/ligne	Sortie ligne (mono)
2 Anneau		
3 Manche	Mise à la terre	Mise à la terre

Connecteur RS485/422

Blocs terminaux à 2 broches pour interface série RS485/RS422. Le port série peut être configuré pour la prise en charge de :

- RS485 semi-duplex sur deux fils
- RS485 duplex intégral sur quatre fils
- RS422 simplex sur deux fils
- RS422 duplex intégral sur quatre fils pour communication point à point



AXIS Q1615 Network Camera

Fonction	Broche	Notes
RS485B alt RS485/422 RX(B)	1	Paire RX pour tous les modes (RX/TX combiné pour RS485 à 2 fils)
RS485A alt RS485/422 RX(A)	2	
RS485/RS422 TX(B)	3	Paire TX pour RS422 et RS485 à 4 fils
RS485/RS422 TX(A)	4	

Important

La longueur maximale de câble recommandée est de 30 mètres (98,4 pieds).

Emplacement pour carte SD

Prise en charge des cartes microSD jusqu'à 64 Go. Pour des performances d'enregistrement optimales, utilisez une carte microSDHC UHS-I ou microSDXC UHS-I. À des températures inférieures à - 25° C, utilisez une carte SD de qualité industrielle.

Installation du matériel

AVIS

Les réglementations locales ou les conditions environnementales et électriques dans lesquelles le produit est utilisé peuvent nécessiter l'utilisation d'un câble réseau blindé (STP). Tous les câbles réseau qui sont acheminés à l'extérieur ou dans des environnements électriques exigeants doivent être blindés (STP) et destinés à leur usage spécifique.

1. Vous pouvez brancher des dispositifs d'entrée/sortie externes, tels que des systèmes d'alarme. Reportez-vous à la section *page 33* pour plus d'informations sur les broches du connecteur pour terminaux.
2. Si vous le souhaitez, vous pouvez brancher un haut-parleur actif et/ou un microphone externe.
3. Connectez la caméra au réseau à l'aide d'un câble réseau blindé.
4. Branchez l'alimentation en suivant l'une des méthodes décrites ci-dessous :
 - Alimentation par Ethernet (PoE) : l'alimentation par Ethernet (PoE) est automatiquement détectée lorsque le câble réseau est connecté.
 - Connectez un adaptateur d'alimentation externe au bloc de connexion d'alimentation. Cf. *Connecteurs et boutons page 31*.

5. Vérifiez que les voyants DEL indiquent le bon état de fonctionnement. Pour plus d'informations, reportez-vous au tableau de la *page 29*. Notez que le voyant d'état peut être configuré pour être éteint pendant le fonctionnement normal.
6. Vous pouvez également insérer une carte microSD (non fournie) dans la fente pour carte SD.

AVIS

Pour éviter la corruption des enregistrements, la carte SD doit être démontée avant son éjection. Pour ce faire, rendez-vous dans **Setup > System Options > Storage > SD Card** (Configuration > Options du système > Stockage > Carte SD) et cliquez sur **Unmount** (Démonter).

Accès au produit

Utilisez les outils fournis sur le CD d'installation et de gestion pour attribuer une adresse IP, configurer le mot de passe et accéder au flux de données vidéo. Ces informations sont également disponibles sur les pages d'assistance technique du site www.axis.com/techsup

Réglage de la mise au point

Pour régler le zoom et la mise au point, procédez comme suit :

Note

- Effectuez la mise au point aussi précisément que possible à l'aide de la bague de mise au point ou de l'assistant avant de démarrer l'ajustement automatique. L'utilisation de la bague de mise au point donne généralement le meilleur résultat.
 - Le diaphragme doit toujours être ouvert au maximum lors de la mise au point. Cela donne la plus petite profondeur de champ, ce qui offre les meilleures conditions pour une mise au point correcte.
1. Ouvrez la page d'accueil du produit et sélectionnez **Setup > Basic Setup > Focus** (Configuration > Configuration de base > Mise au point).
 2. Sous l'onglet **Basic (Base)**, cliquez sur **Open iris (Ouvrir l'iris)**. Si le bouton est inactif, l'iris est déjà ouvert.
 3. Si la mise au point a déjà été effectuée, cliquez sur **Reset (Réinitialiser)** pour réinitialiser la mise au point arrière.
 4. Desserrez la commandes de zoom et la vis de verrouillage de la bague de mise au point de l'objectif (voir *Aperçu du matériel page 28*) en les tournant dans le sens inverse des aiguilles d'une montre. Déplacez la commande de zoom et la vis de verrouillage pour régler le zoom et la mise au point et vérifiez la qualité de l'image dans la fenêtre correspondante. Si la caméra est montée de telle sorte qu'il est impossible de regarder l'image et de déplacer la commande de zoom et la bague de mise au point en même temps, utilisez plutôt l'assistant de mise au point. Cf. *Assistant de mise au point page 38*.

5. Resserrez la commande du zoom et la vis de verrouillage de la bague de mise au point.
6. À la page Focus (Mise au point), cliquez sur **Fine-tune focus automatically (Ajuster la mise au point automatiquement)** et attendez que l'ajustement automatique soit terminé.
7. Cliquez sur **Enable iris (Activer l'iris)**. Si le bouton est inactif, l'iris est déjà activé.
8. Si nécessaire, effectuez d'autres réglages sous l'onglet **Advanced (Avancé)**. Consultez l'aide en ligne pour plus d'informations.

Assistant de mise au point

Note

- La vue en face de la caméra ne doit pas être modifiée lors du réglage de la mise au point (étapes 5 et 6). Si la caméra est déplacée ou si un doigt ou un autre objet est placé devant l'objectif, vous devrez recommencer les étapes 3 à 7.
- Si les mouvements devant la caméra ne peuvent pas être évités, l'assistant de mise au point ne doit pas être utilisé.
- Si la caméra est montée de sorte qu'il soit impossible d'accéder au bouton Fonction, vous pouvez tout de même utiliser l'assistant. Procédez comme indiqué ci-dessus, mais installez la caméra après l'étape 4 (en appuyant sur le bouton Fonction) et passez à l'étape 7.

Pour effectuer la mise au point de la caméra réseau en utilisant l'assistant, suivez les étapes 1 à 3 de la section de *page 37* avant de procéder aux étapes ci-dessous. Consultez *Aperçu du matériel page 28*.

1. Installez la caméra ou placez-la de façon à ce qu'elle ne puisse pas bouger.
2. Desserrez la commande de zoom en la tournant dans le sens inverse des aiguilles d'une montre. Déplacez la commande pour régler le niveau du zoom. Resserrez la commande de zoom.
3. Réglez la caméra sur sa position de mise au point à distance extrême en desserrant la vis de verrouillage de la bague de mise au point et en tournant la bague de mise au point au maximum dans le sens inverse des aiguilles d'une montre.
4. Appuyez sur le bouton Fonction et relâchez-le très rapidement. Lorsque le voyant d'état clignote en vert, l'assistant de mise au point est activé.

Si le voyant d'état clignote en rouge ou en orange avant que vous n'ayez pu régler l'objectif, passez à l'étape 7 pour quitter l'assistant et recommencez les étapes 3 à 7. Voir les remarques ci-dessus. Cf. *Comportement du voyant d'état pour l'assistant de mise au point page 30*.

5. Tournez délicatement la bague de mise au point dans le sens inverse des aiguilles d'une montre jusqu'à ce qu'elle s'arrête.
6. Tournez lentement la bague de mise au point dans le sens inverse des aiguilles d'une montre jusqu'à ce que l'indicateur d'état clignote en vert ou en orange (et non en rouge).
7. Pour quitter l'assistant de mise au point, appuyez à nouveau sur le bouton Fonction. L'assistant de mise au point se désactive automatiquement après 15 minutes.

8. Resserrez la vis de verrouillage de la bague de mise au point.
9. Ouvrez la page **Live View (Vue en direct)** du navigateur web et contrôlez la qualité de l'image.
10. À la page **Focus (Mise au point)**, cliquez sur **Fine-tune focus automatically (Ajuster la mise au point automatiquement)** et attendez que l'ajustement automatique soit terminé.
11. Cliquez sur **Enable iris (Activer l'iris)**. Si le bouton est inactif, l'iris est déjà activé.
12. Si nécessaire, effectuez d'autres réglages sous l'onglet **Advanced (Avancé)**. Consultez l'aide en ligne pour plus d'informations.

Remplacement de l'objectif

Il est possible d'utiliser des objectifs optionnels pour le produit Axis.

Pour remplacer l'objectif :

1. Débranchez le câble de l'iris.
2. Dévissez l'objectif standard.
3. Fixez et vissez le nouvel objectif.

Pour modifier la configuration du diaphragme :

1. Accédez à **Setup > Video and Audio > Camera Settings (Configuration > Vidéo et image > Réglages caméra)**. **Iris configuration (Configuration du diaphragme)** affiche le type de diaphragme actuellement configuré.
2. Cliquez sur **Edit (Modifier)**.
3. Sélectionnez l'objectif à diaphragme installé dans la liste déroulante et cliquez sur **OK**.

Pour modifier la configuration du diaphragme des objectifs à diaphragme P qui n'apparaissent pas dans la liste déroulante :

1. Téléchargez le fichier de configuration du diaphragme sur www.axis.com
2. Accédez à **Setup > Video and Audio > Camera Settings (Configuration > Vidéo et image > Réglages caméra)**. **Iris configuration (Configuration du diaphragme)** affiche le type de diaphragme actuellement configuré.
3. Dans **Iris configuration (Configuration du diaphragme)** : Cliquez sur **Edit (Modifier)**.
4. Accédez à l'onglet **Upload (Charger)**.
5. Cliquez sur **Browse (Parcourir)** et sélectionnez le fichier de configuration.
6. Cliquez sur **Upload (Charger)**. L'objectif à diaphragme installé doit maintenant être inclus dans la liste déroulante **Iris Selection (Sélection du diaphragme)**.
7. Sélectionnez l'objectif à diaphragme installé dans la liste déroulante et cliquez sur **OK**.

Note

- Si vous sélectionnez un fichier de configuration de diaphragme DC pour un objectif à diaphragme P, un message d'erreur apparaît en dessous du type de configuration du diaphragme, dans la page **Camera Settings (Réglages caméra)**. Pour les objectifs à diaphragme DC personnalisés, sélectionnez l'option Generic DC Iris (Diaphragme DC générique).
- Il n'est pas nécessaire de redémarrer le produit après le changement de l'objectif. Cependant, le produit doit être redémarré si vous passez d'un diaphragme P à un diaphragme DC ou à un objectif à diaphragme fixe/manuel ou vice-versa. Afin d'effectuer la mise au point et de positionner l'objectif, le produit doit être connecté au réseau.

Réinitialisation aux paramètres d'usine par défaut

Important

La réinitialisation aux paramètres par défaut doit être utilisée avec prudence. Cette opération reconfigure tous les paramètres, y compris l'adresse IP, aux valeurs d'usine par défaut.

Note

Les logiciels d'installation et de gestion sont disponibles sur le CD fourni avec le produit et sur les pages d'assistance du site www.axis.com/techsup

Pour réinitialiser l'appareil aux paramètres d'usine par défaut :

1. Déconnectez l'alimentation de l'appareil.
2. Maintenez le bouton de commande enfoncé et remettez l'appareil sous tension. Consultez *Aperçu du matériel page 28*.
3. Maintenez le bouton de commande enfoncé pendant 15–30 secondes, jusqu'à ce que le voyant d'état passe à l'orange et clignote.
4. Relâchez le bouton de commande. Le processus est terminé lorsque le voyant d'état passe au vert. Les paramètres d'usine par défaut de l'appareil ont été rétablis. En l'absence d'un serveur DHCP sur le réseau, l'adresse IP par défaut est 192.168.0.90.
5. Utilisez les outils d'installation et de gestion pour attribuer une adresse IP, configurez le mot de passe et accédez au flux de données vidéo.
6. Nouvelle mise au point du produit.

Il est également possible de rétablir les paramètres d'usine à partir de l'interface Web. Accédez à **Setup > System Options > Maintenance** (Configuration > Options du système > Maintenance) (Configuration > Configuration du contrôleur supplémentaire > Configuration > Options du système > Maintenance).

Pour obtenir plus de renseignements

Le Manuel de l'utilisateur est disponible à l'adresse suivante : www.axis.com

Consultez le site www.axis.com/techsup pour vérifier si des mises à jour des logiciels sont disponibles pour votre appareil réseau. Pour connaître la version du micrologiciel actuellement installée, reportez-vous à la page **Setup > About** (Configuration > À propos de).

Visitez le centre d'apprentissage en ligne Axis sur le site www.axis.com/academy pour en savoir plus sur les formations, les webinaires, les tutoriels et les guides.

Informations sur la garantie

Pour obtenir plus d'amples informations sur la garantie du produit AXIS et des renseignements connexes, allez sur le site www.axis.com/warranty/

Sicherheitsinformation

Lesen Sie das Installationshandbuch sorgfältig durch bevor sie das Produkt installieren. Bewahren Sie das Installationshandbuch für zukünftige Zwecke auf.

Gefährdungsstufen

▲GEFAHR

Weist auf eine gefährliche Situation hin, die, falls nicht verhindert, zu Tod oder schweren Verletzungen führt.

▲WARNUNG

Weist auf eine gefährliche Situation hin, welche, falls nicht verhindert, zu Tod oder schweren Verletzungen führen kann.

▲VORSICHT

Weist auf eine gefährliche Situation hin, welche, falls nicht verhindert, zu geringfügiger oder mäßiger Verletzung führen kann.

HINWEIS

Weist auf eine gefährliche Situation hin, welche, falls nicht verhindert, zu Sachschäden führen kann.

Weitere Nachrichtenstufen

Wichtig

Weist auf wichtige Informationen hin, die den richtigen Betrieb des Produkts gewährleisten.

Beachten

Weist auf nützliche Informationen hin, die die optimale Verwendung des Produkts unterstützen.

Sicherheitsanweisungen

HINWEIS

- Die Anwendung des Axis Produkts muss unter Beachtung der örtlich geltenden rechtlichen Bestimmungen erfolgen.
- Bei der Anwendung von Axis Produkten im Außenbereich oder ähnlichen Umgebungen, müssen diese in zugelassenen Außengehäusen installiert werden.
- Lagern Sie das Axis Produkt in einer trockenen und belüfteten Umgebung.
- Achten Sie darauf, dass das Axis Produkt weder Stößen noch starkem Druck ausgesetzt ist.
- Installieren Sie das Produkt nicht an instabilen Halterungen, Oberflächen oder Wänden.
- Verwenden Sie bei der Installation des Axis Produkts ausschließlich passende Werkzeuge. Ein zu großer Kraftaufwand kann das Produkt beschädigen.
- Verwenden Sie keine chemischen, ätzenden oder aerosolhaltigen Reinigungsmittel. Verwenden Sie zum Reinigen ein sauberes, mit lauwarmem Wasser angefeuchtetes Tuch.
- Verwenden Sie nur Zubehör, das den technischen Daten des Produkts entspricht. Dieses ist von Axis oder Drittanbietern erhältlich.
- Verwenden Sie ausschließlich Ersatzteile die von Axis bereitgestellt oder empfohlen werden.
- Versuchen Sie nicht, das Produkt selbstständig zu reparieren. Wenden Sie sich bezüglich Reparatur und Wartung an den Axis Support oder Ihren Axis Händler.

Transport

HINWEIS

- Bei Bedarf transportieren Sie das Axis Produkt in der Originalverpackung oder einer entsprechenden Verpackung, so dass Schäden vermieden werden.

Batterie

Das Axis-Produkt ist mit einer 3,0 V-BR/CR2032-Lithium-Batterie ausgestattet, mit der die interne Echtzeituhr (RTC) versorgt wird. Unter normalen Bedingungen hat die Batterie eine Lebensdauer von mindestens fünf Jahren.

Bei entladener Batterie ist der Betrieb der Echtzeituhr nicht mehr gewährleistet, sodass die Uhr bei jedem Systemstart zurückgesetzt wird. Sie erhalten eine Protokollnachricht im Serverbericht des Produkts, wenn ein Batteriewechsel erforderlich ist. Weitere Informationen über den Serverbericht finden Sie auf den Setup-Seiten des Produkts, oder wenden Sie sich an den Axis-Support.

Die Batterie sollte nur bei Bedarf ersetzt werden. Wenden Sie sich in diesem Fall an den Axis Support unter www.axis.com/techsup.

⚠WARNUNG

- Explosionsgefahr bei fehlerhaftem Batteriewechsel.
- Die Batterie darf nur durch eine identische Batterie oder eine von Axis empfohlene Batterie ersetzt werden.
- Verbrauchte Batterien sind gemäß den örtlichen Vorschriften oder den Anweisungen des Herstellers zu entsorgen.

Installationsanleitung

In dieser Anleitung wird die Installation der AXIS Q1615-Netzwerk-Kamera in Ihrem Netzwerk beschrieben. Weitere Informationen zur Nutzung dieses Produktes finden Sie im Benutzerhandbuch unter www.axis.com.

Installationsschritte

1. Stellen Sie sicher, dass die Packungsinhalte, Werkzeuge und andere notwendige Materialien für die Installation in Ordnung sind. Siehe *Seite 47*.
2. Machen Sie sich mit der Hardware-Übersicht vertraut. Siehe *Seite 48*.
3. Machen Sie sich mit den technischen Daten vertraut. Siehe *Seite 53*.
4. Installieren Sie die Hardware. Siehe *Seite 56*.
5. Zugriff auf das Produkt. Siehe *Seite 57*.
6. Stellen Sie den Fokus ein. Siehe *Seite 57*.

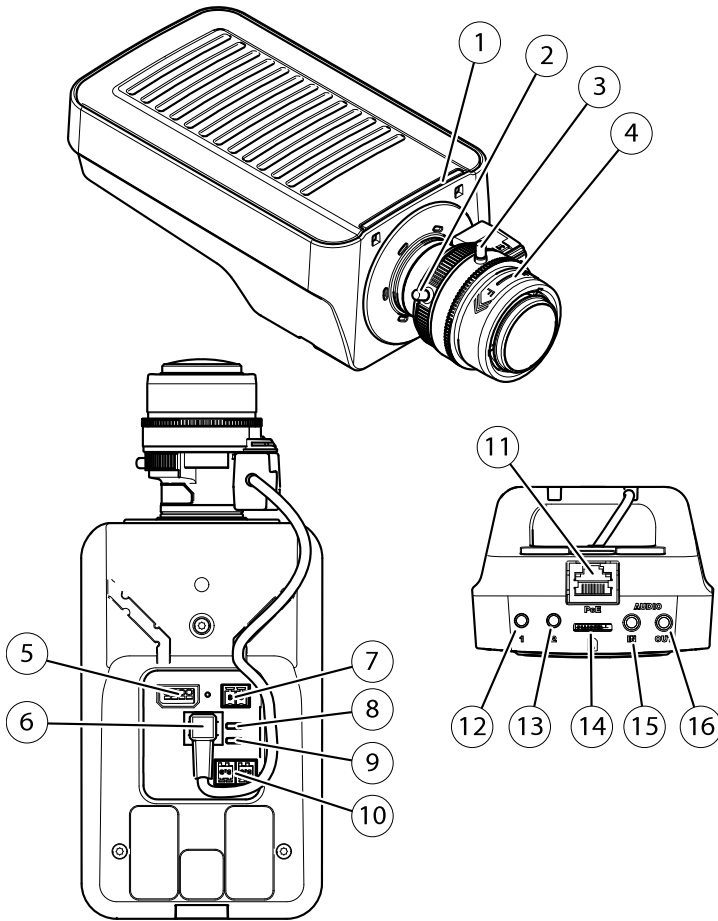
Lieferumfang

- AXIS Q1615-Netzwerk-Kamera
- 2-poliger Anschlussblock für Stromeingang
- 4-poliger E/A-Anschlussblock für den Anschluss externer Geräte
- 2-polige RS485/422-Klemmenleiste (x2)
- Kameramontagefuß
- Torx T20-Schraubendreher
- CD-ROM mit Installations- und Verwaltungssoftware
- Dokumente
 - Installationsanleitung (dieses Dokument)
 - Zwei zusätzliche Etiketten mit der Seriennummer
 - AVHS-Authentifizierungsschlüssel

Optionales Zubehör

Unter www.axis.com finden Sie Informationen zu dem verfügbaren Zubehör wie Zubehör für die Stromversorgung und Gehäuse für den Einsatz in Außenbereichen.

Übersicht über die Hardware



1. LED-Statusanzeige
2. Zoomregler
3. Feststellschraube für den Fokusring
4. Fokusring
5. E/A-Anschluss
6. Blendenanschluss
7. Netzanschluss
8. LED-Betriebsanzeige
9. LED-Netzwerkanzeige

10. RS485-/RS422-Anschluss
11. Netzwerkanschluss (PoE)
12. Steuertaste (1)
13. Funktionstaste (2)
14. microSD-Kartensteckplatz
15. Audioeingang
16. Audioausgang

LED-Anzeigen

LED	Farbe	Bedeutung
Netzwerk	Grün	Leuchtet bei Verbindung mit einem 100 MBit/s-Netzwerk. Blinkt bei Netzwerkaktivität.
	Gelb	Leuchtet bei Verbindung mit einem 10 MBit/s-Netzwerk. Blinkt bei Netzwerkaktivität.
	Leuchtet nicht	Keine Netzwerkverbindung vorhanden.
Status	Grün	Leuchtet bei Normalbetrieb grün.
	Gelb	Leuchtet beim Start und beim Wiederherstellen der Einstellungen.
	Rot	Blinkt langsam bei einem Aktualisierungsfehler.
Stromversorgung	Grün	Normaler Betrieb.
	Gelb	Blinkt grün/gelb bei der Firmware-Aktualisierung.

AXIS Q1615 Network Camera

Beachten

- Die Status-LED kann so eingestellt werden, dass sie während des Normalbetriebs nicht leuchtet. Diese Konfiguration können Sie unter **Setup > System Options > Ports & Devices > LED** (Einrichtung > Systemoptionen > Anschlüsse & Geräte > LED) einstellen. Weitere Informationen finden Sie in der Online-Hilfe.
- Die Status-LED kann so eingestellt werden, dass sie blinkt, wenn ein Ereignis aktiv ist.
- Die Status-LED kann so eingestellt werden, dass sie blinkt, wenn die Einheit erkannt wird. Rufen Sie **Setup > System Options > Maintenance** (Einrichtung > Systemoptionen > Wartung) auf.
- Die Netz-LED kann so eingestellt werden, dass sie während des Normalbetriebs nicht leuchtet. Diese Konfiguration können Sie unter **Setup > System Options > Ports & Devices > LED** (Einrichtung > Systemoptionen > Anschlüsse & Geräte > LED) einstellen. Weitere Informationen finden Sie in der Online-Hilfe.
- Die Netzwerk-LED kann deaktiviert werden, sodass Sie bei Datenverkehr über das Netzwerk nicht blinkt. Diese Konfiguration können Sie unter **Setup > System Options > Ports & Devices > LED** (Einrichtung > Systemoptionen > Anschlüsse & Geräte > LED) einstellen. Weitere Informationen finden Sie in der Online-Hilfe.

Verhalten der LED-Statusanzeige für den Fokus-Assistenten

Farbe	Bedeutung
Grün	Der Fokus-Assistent ist aktiviert. Das Objektiv ist optimal eingestellt.
Gelb	Die Kamera wurde bewegt oder vor dem Objektiv wurde ein Gegenstand platziert. Beenden Sie den Fokus-Assistenten und starten Sie ihn neu. Das Objektiv ist nicht optimal eingestellt.
Rot	Die Kamera wurde bewegt oder vor dem Objektiv wurde ein Gegenstand platziert. Beenden Sie den Fokus-Assistenten und starten Sie ihn neu. Das Objektiv ist unzureichend eingestellt.

Summton für Fokus-Assistenten

Summer	Objektiv
Kurzes Intervall	Optimal eingestellt
Mittellanges Intervall	Nicht ganz optimal eingestellt
Langes Intervall	Unzureichend eingestellt

Verhalten der LED-Statusanzeige und Summton für den Ausrichtungsassistenten

Für Informationen zur Verwendung der Funktionstaste bei der Ausrichtung der Kamera siehe *Anschlüsse und Tasten*.

Farbe	Summer	Kameraposition
Durchgehend grün	Durchgehender Ton	Ausgerichtet
Grün blinkend	Kurzes Intervall	Nahezu ausgerichtet
Orange blinkend	Mittellanges Intervall	Nicht ausgerichtet
Rot blinkend	Langes Intervall	Unzureichend ausgerichtet

Anschlüsse und Tasten

Für die technischen Daten und Betriebsbedingungen siehe *Seite 53*.

Netzwerkanschluss

RJ45-Ethernet-Anschluss. Unterstützt Power over Ethernet (PoE).

HINWEIS

Aufgrund örtlicher Vorschriften oder umweltbedingter und elektrischer Bedingungen, unter denen das Produkt verwendet wird, kann ein abgeschirmtes Netzkabel (STP) empfehlenswert oder notwendig sein. Alle Netzkabel, die im Außenbereich oder in schwierigen elektrischen Umgebungen verlegt werden, sollten abgeschirmt (STP) und nur für die zweckgebundene Anwendung eingesetzt werden. Stellen Sie sicher, dass der Netzschalter vorschriftsmäßig geerdet ist. Informationen zu gesetzlichen Bestimmungen finden Sie unter *Electromagnetic Compatibility (EMC) on page 2*.

E/A-Anschluss

Zur Verwendung mit externen Geräten in Verbindung mit Manipulationsalarmen, Bewegungserkennung, Ereignisauslösung, Zeitrafferaufnahmen, Alarmbenachrichtigungen usw. Abgesehen vom 0 V DC-Bezugspunkt und Strom (Gleichstromausgang) verfügt die E/A-Klemmenleiste über eine Schnittstelle zu:

- **Digitalausgang** – zum Anschluss externer Geräte wie Relais und LEDs. Angeschlossene Geräte können über die VAPIX® Application Programming Interface (Programmierschnittstelle) über die Schaltflächen für den Ausgang auf der Seite „Live View“ oder durch eine Aktionsregel aktiviert werden. Der Ausgang wird als aktiv (siehe **System Options > Ports & Devices** (Systemoptionen > Anschlüsse & Geräte)) angezeigt, wenn das Alarmmeldegerät aktiviert ist.

AXIS Q1615 Network Camera

- **Digitaleingang** – Alarmeingang für den Anschluss von Geräten, die zwischen geöffnetem und geschlossenem Schaltkreis wechseln können, z. B.: PIR-Sensoren, Tür-/Fensterkontakte, Glasbruchmelder usw. Bei Empfang eines Signals ändert sich der Status und der Eingang wird aktiviert (siehe **System Options > Ports & Devices** (Systemoptionen > Anschlüsse & Geräte)).

Netzanschluss

2-poliger Anschlussblock für die Stromversorgung. Verwenden Sie eine mit den Anforderungen für Schutzkleinspannung (SELV) kompatible Stromquelle mit begrenzter Leistung (LPS) mit einer Nennausgangsleistung von ≤ 100 W oder einem dauerhaft auf ≤ 5 A begrenzten Nennausgangsstrom.

Audioanschlüsse

Das Axis-Produkt ist mit den folgenden Audioanschlüssen ausgestattet:

- **Audioeingang (rosa)** – 3,5-mm-Anschluss für ein Monomikrofon oder ein Monosignal (der linke Kanal wird von einem Stereosignal benutzt).
- **Audioausgang (grün)** – 3,5-mm-Audioausgang (Leitungspegel) zum Anschließen einer Rundrufanlage (PA) oder eines Aktivlautsprechers mit integriertem Verstärker. Für den Audioausgang muss ein Stereostecker verwendet werden.

RS485-/RS422-Anschluss

Zwei 2-polige Anschlussblöcke für serielle Schnittstellen vom Typ RS485/RS422 zur Steuerung von Zusatzgeräten, z. B. PTZ-Geräten.

SD-Kartensteckplatz

Zur lokalen Aufzeichnung mit Wechselmedien kann eine microSD-Speicherkarte (nicht im Lieferumfang enthalten) verwendet werden. Für weitere Informationen siehe *Technische Daten auf Seite 53*.

HINWEIS

Um einer Beschädigung der Aufnahmen vorzubeugen, sollte die SD-Karte vor dem mechanischen Auswerfen getrennt (deaktiviert) werden. Rufen Sie zum Trennen **Setup > System Options > Storage > SD Card (Einrichtung > Systemoptionen > Speicher > SD-Karte)** auf und klicken Sie auf **Unmount (Trennen)**.

Steuertaste

Die Steuertaste hat folgende Funktionen:

- Zurücksetzen des Produkts auf Werkseinstellungen. Siehe *Seite 60*.

- Verbinden mit einem AXIS Video Hosting System-Service oder einem AXIS Internet Dynamic DNS-Service. Weitere Informationen zu diesen Diensten finden Sie in der Bedienungsanleitung.

Funktionstaste

Die Funktionstaste hat mehrere Aufgaben:

- **Ausrichtungsassistent:** Diese Funktion unterstützt Sie bei der Ausrichtung der Kamera. Drücken Sie die Taste für ca. 2 Sekunden, um den Ausrichtungsassistenten zu starten. Drücken Sie die Taste erneut, um den Ausrichtungsassistenten zu deaktivieren. Die LED-Statusanzeige (siehe *Seite 51*) und der Summton (siehe *Seite 50*) unterstützen Sie bei der Ausrichtung der Kamera. Die Kamera ist korrekt ausgerichtet, wenn der Summton durchgehend ertönt.
- **Fokus-Assistent:** Mit dieser Funktion wird der Fokus-Assistent aktiviert. Drücken Sie die Taste kurz, um den Fokus-Assistenten zu aktivieren. Zum Beenden des Fokus-Assistenten drücken Sie die Taste erneut. Für weitere Informationen siehe *Seite 58*

Technische Daten

Betriebsbedingungen

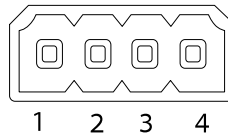
Das Axis Produkt ist für die Verwendung in Innenräumen ausgelegt.

Produkt	Temperatur	Luftfeuchtigkeit
AXIS Q1615	0 °C bis 55 °C (32 °F bis 122 °F)	10 bis 85 % relative Luftfeuchtigkeit (nicht kondensierend)

E/A-Anschluss

4-poliger Anschlussblock für:

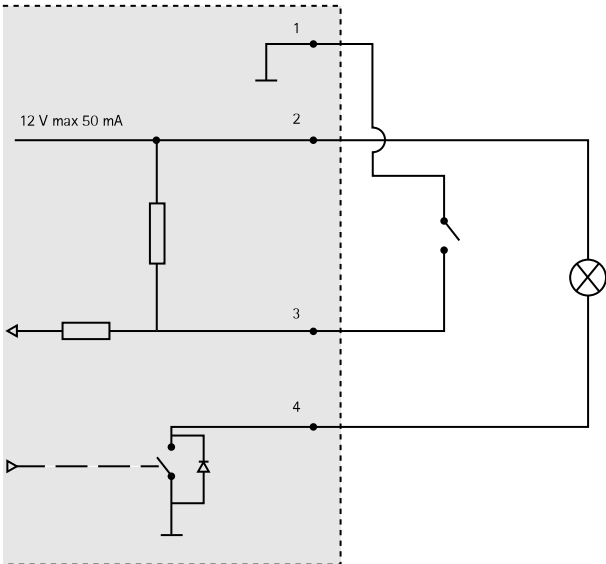
- Zusatzstromversorgung (Gleichstromausgang)
- Digitaleingang
- Digitalausgang
- 0 V DC (-)



Funktion	Kon-takt	Hinweise	Technische Daten
0 V DC (-)	1		

AXIS Q1615 Network Camera

Gleichstromausgang	2	Kann für die Stromversorgung von Zusatzgeräten verwendet werden. Hinweis: Dieser Kontakt kann nur für den Stromausgang verwendet werden.	12 V DC Max. Stromstärke = 50 mA
Konfigurierbar (Ein- oder Ausgang)	3-4	Digitaleingang – zum Aktivieren mit Pin 1 verbunden; zum Deaktivieren nicht anschließen.	0 bis max. 30 V DC
		Digitalausgang – bei Aktivierung mit Pin 1 verbunden; wenn deaktiviert: frei (nicht verbunden). Bei Verwendung mit einer induktiven Last, z. B. einem Relais, muss parallel zur Last zum Schutz vor Spannungsspitzen eine Diode zwischengeschaltet werden.	0 bis max. 30 V DC, Open Drain, 100 mA

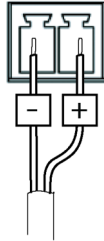


- 3. E/A als Eingang konfiguriert
- 4. E/A als Ausgang konfiguriert

Netzanschluss

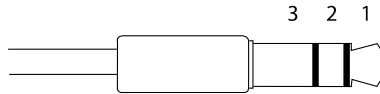
2-poliger Anschlussblock für die Stromversorgung. Verwenden Sie eine mit den Anforderungen für Schutzkleinspannung (SELV) kompatible Stromquelle mit begrenzter Leistung (LPS) mit einer Nennausgangsleistung von ≤ 100 W oder einem dauerhaft auf ≤ 5 A begrenzten Nennausgangsstrom.

Gleichstromanschluss



Audioanschlüsse

3,5-mm-Audioanschlüsse (stereo)

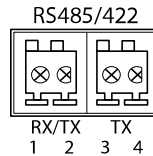


	Audioeingang	Audioausgang
1 Spitze	Mikrofon-/Leitungseingang	Leitungsausgang (mono)
2 Ring		
3 Schaft	Masse	Masse

RS485/422-Anschluss

Zwei 2-polige Anschlussblöcke für serielle Schnittstellen vom Typ RS485/RS422. Der serielle Anschluss kann in den folgenden Anschlussmodi konfiguriert werden:

- zweiadriger RS485-Halbduplex-Anschluss
- vieradriger RS485-Vollduplex-Anschluss
- zweiadriger RS422-Simplex-Anschluss
- vieradriger RS422-Vollduplex-Anschluss (Punkt-zu-Punkt-Verbindung)



AXIS Q1615 Network Camera

Funktion	Kontakt	Hinweise
RS485B alt RS485/422 RX(B)	1	RX-Paar für alle Modi (kombinierter RX/TX für RS485 mit 2 Leitern)
RS485A alt RS485/422 RX(A)	2	
RS485/RS422 TX(B)	3	TX-Paar für RS422 und RS485 mit 4 Leitern
RS485/RS422 TX(A)	4	

Wichtig

Die empfohlene maximale Kabellänge beträgt 30 m (98,4 ft).

SD-Kartensteckplatz

Unterstützt microSD-Karten mit bis zu 64 GB Speicherplatz. Verwenden Sie eine microSDHC UHS-I- oder microSDXC UHS-I-Karte, um optimale Aufzeichnungsergebnisse zu erzielen. Bei Temperaturen unterhalb von - 25° C verwenden Sie eine SD-Karte in Industriequalität.

Installieren der Hardware

HINWEIS

Aufgrund örtlicher Vorschriften oder der umweltbedingten und elektrischen Bedingungen, unter denen das Produkt verwendet wird, kann ein abgeschirmtes Netzwerkkabel (STP) empfehlenswert oder notwendig sein. Alle Netzwerkkabel, die im Außenbereich oder in schwierigen elektrischen Umgebungen verlegt werden, sollten abgeschirmt (STP) und nur für die jeweilige Anwendung eingesetzt werden.

1. Schließen Sie bei Bedarf externe Eingabe-/Ausgabegeräte wie Alarmanlagen an. Für Informationen zur Anschlussbelegung siehe *auf Seite 53*.
2. Zusätzlich können Sie außerdem einen Aktivlautsprecher und/oder ein externes Mikrofon anschließen.
3. Verbinden Sie die Kamera über ein abgeschirmtes Netzwerkkabel mit dem Netzwerk.
4. Schließen Sie die Kamera auf eine der folgenden Arten an die Stromversorgung an:
 - PoE (Power over Ethernet). PoE wird beim Anschließen des Netzwerkkabels automatisch erkannt.
 - Verbinden Sie ein externes Netzteil mit dem Anschlussblock für die Stromversorgung. Siehe *Anschlüsse und Tasten auf Seite 51*.

- Überprüfen Sie, ob die LED-Anzeigen die Betriebszustände korrekt angeben. Für weitere Details siehe die Tabelle auf Seite 49. Beachten Sie, dass die Status-LED so konfiguriert werden kann, dass sie bei normalem Betrieb nicht leuchtet.
- Setzen Sie optional eine microSD-Karte (nicht im Lieferumfang enthalten) in den SD-Kartensteckplatz ein.

HINWEIS

Um die Beschädigung der Aufzeichnungen zu verhindern, muss die SD-Karte vor dem mechanischen Auswerfen deaktiviert (getrennt) werden. Rufen Sie zum Deaktivieren **Setup > System Options > Storage > SD Card** (Einrichten> Systemoptionen> Speicher> SD-Karte) auf und klicken Sie auf **Unmount** (Deaktivieren).

Zugriff auf das Produkt

Verwenden Sie die bereitgestellten Tools der Installations- und Management-Software-CD, um eine IP-Adresse zuzuordnen, ein Passwort einzurichten und auf den Videostream zuzugreifen. Diese Information finden Sie ebenso auf den Support-Seiten unter www.axis.com/techsup

Einstellen der Bildschärfe

Befolgen Sie die folgenden Anweisungen, um Zoom und Bildschärfe einzustellen:

Beachten

- Stellen Sie die Bildschärfe so präzise wie möglich über den Fokusring oder den Fokus-Assistenten ein, bevor Sie die automatische Feinabstimmung starten. Der Fokusring liefert in der Regel die besten Ergebnisse.
 - Die Blende muss beim Fokussieren Kamera vollständig geöffnet sein. Dadurch werden die geringste Schärfentiefe und damit die optimalen Voraussetzungen für die richtige Fokussierung erreicht.
- Rufen Sie die Startseite des Produkts auf und gehen Sie zu **Setup Basic Setup Focus** (Einrichtung > Grundeinstellungen > Fokus).
 - Klicken Sie unter der Registerkarte **Basic (Standard)** auf **Open iris (Blende öffnen)**. Ist diese Schaltfläche deaktiviert, ist die Blende bereits vollständig geöffnet.
 - Wenn die Bildschärfe bereits eingestellt wurde, klicken Sie auf **Reset (Zurücksetzen)**, um das Auflagemaß zurückzusetzen.
 - Lösen Sie den Zoomregler und die Feststellschraube für den Fokusring am Objektiv (siehe *Übersicht über die Hardware auf Seite 48*), indem Sie sie gegen den Uhrzeigersinn drehen. Bewegen Sie den Zoomregler und den Fokusring und stellen Sie Zoomstärke und Bildschärfe ein. Prüfen Sie die Bildqualität im Bildfenster. Ist die Kamera so montiert, dass Sie die Bildqualität nicht prüfen können, während Sie gleichzeitig den Zoomregler und den Fokusring bewegen, können Sie stattdessen den Fokus-Assistenten verwenden. Siehe *Fokus-Assistent auf Seite 58*.
 - Ziehen Sie den Zoomregler und die Feststellschraube für den Fokusring wieder fest.

6. Klicken Sie auf der Fokus-Seite auf **Fine-tune focus automatically (Automatische Feinabstimmung der Bildschärfe)** und warten Sie, bis die automatische Feinabstimmung abgeschlossen ist.
7. Klicken Sie auf **Enable iris (Blende aktivieren)**. Ist diese Schaltfläche deaktiviert, ist die Blende bereits aktiviert.
8. Auf der Registerkarte **Advanced (Erweitert)** können Sie bei Bedarf weitere Einstellungen vornehmen. Weitere Informationen finden Sie in der Online-Hilfe.

Fokus-Assistent

Beachten

- Während der Fokussierung der Kamera (Schritte 5 und 6) muss das Sichtfeld der Kamera unverändert bleiben. Falls Sie die Kamera bewegen oder wenn ein Finger oder ein Gegenstand vor dem Objektiv platziert wird, müssen Sie die Schritte 3 bis 7 wiederholen.
- Wenn Bewegungen vor der Kamera nicht vermieden werden können, sollten Sie den Fokus-Assistenten nicht verwenden.
- Wenn die Kamera so montiert ist, dass die Betätigung der Funktionstaste nicht möglich ist, können Sie den Fokus-Assistenten trotzdem verwenden. Folgen Sie den Anweisungen oben, aber hängen Sie die Kamera stattdessen nach Schritt 4 ein (Funktionstaste drücken) und überspringen Sie Schritt 7.

Befolgen Sie zur Fokussierung Ihrer Netzwerk-Kamera mit dem Fokus-Assistenten zunächst die Anweisungen in den Schritten 1 bis 3 auf *Seite 57*, bevor Sie die folgenden Schritte ausführen. Siehe *Übersicht über die Hardware auf Seite 48*.

1. Fixieren oder platzieren Sie die Kamera so, dass sie nicht bewegt werden kann.
2. Lösen Sie den Zoomregler, indem Sie ihn gegen den Uhrzeigersinn drehen. Bewegen Sie den Regler und stellen Sie die Zoomstärke ein. Drehen Sie den Zoomregler wieder fest.
3. Stellen Sie die Kamera auf die weiteste Fernfokus-Position ein, indem Sie die Feststellschraube für den Fokusring lösen und den Fokusring vollständig gegen den Uhrzeigersinn drehen.
4. Drücken Sie kurz die Funktionstaste. Wenn die Status-LED grün blinkt, ist der Fokus-Assistent aktiviert.
Wenn die Status-LED rot oder gelb blinkt, bevor Sie das Objektiv einstellen können, fahren Sie mit Schritt 7 fort, um den Fokus-Assistenten zu beenden, und wiederholen die Schritte 3 bis 7. Weitere Informationen finden Sie in den Hinweisen oben. Siehe *Verhalten der LED-Statusanzeige für den Fokus-Assistenten auf Seite 50*.
5. Drehen Sie den Fokusring vorsichtig gegen den Uhrzeigersinn bis zum Anschlag.
6. Drehen Sie den Fokusring dann langsam gegen den Uhrzeigersinn, bis die Statusanzeige grün oder gelb blinkt (nicht rot).
7. Zum Beenden des Fokus-Assistenten drücken Sie erneut die Funktionstaste. Der Fokus-Assistent wird nach 15 Minuten automatisch ausgeschaltet.

8. Ziehen Sie die Feststellschraube für den Fokusring wieder fest.
9. Öffnen Sie die Seite **Live View (Live-Ansicht)** im Webbrowser und überprüfen Sie die Bildqualität.
10. Klicken Sie auf der Fokus-Seite auf **Fine-tune focus automatically (Automatische Feinabstimmung der Bildschärfe)** und warten Sie, bis die automatische Feinabstimmung abgeschlossen ist.
11. Klicken Sie auf **Enable iris (Blende aktivieren)**. Ist diese Schaltfläche deaktiviert, ist die Blende bereits aktiviert.
12. Auf der Registerkarte **Advanced (Erweitert)** können Sie bei Bedarf weitere Einstellungen vornehmen. Weitere Informationen finden Sie in der Online-Hilfe.

Wechsel des Objektivs

Das Axis-Produkt kann mit optionalen Objektiven verwendet werden.

So wird das Objektiv gewechselt:

1. Ziehen Sie das Blendenkabel ab.
2. Drehen Sie das Standardobjektiv heraus.
3. Setzen Sie das neue Objektiv an und drehen Sie es fest.

So wird die Blendenkonfiguration geändert:

1. Rufen Sie **Setup > Video and Audio > Camera Settings (Einrichtung > Video und Audio > Kameraeinstellungen)** auf. Unter **Iris configuration (Blendenkonfiguration)** wird der aktuelle konfigurierte Blendentyp angezeigt.
2. Klicken Sie auf **Edit (Bearbeiten)**.
3. Wählen Sie die installierte Blende aus der Dropdown-Liste aus und klicken Sie auf **OK**.

Änderung der Blendenkonfiguration für P-Iris-Objektive, die nicht in der Dropdown-Liste aufgeführt sind.

1. Laden Sie die Blendenkonfigurationsdatei von www.axis.com herunter
2. Rufen Sie **Setup > Video and Audio > Camera Settings (Einrichtung > Video und Audio > Kameraeinstellungen)** auf. Unter **Iris configuration (Blendenkonfiguration)** wird der aktuelle konfigurierte Blendentyp angezeigt.
3. In **Iris configuration (Blendenkonfiguration)**: Klicken Sie auf **Edit (Bearbeiten)**.
4. Gehen Sie auf die Registerkarte **Upload (Hochladen)**.
5. Klicken Sie auf **Browse (Durchsuchen)** und wählen Sie die Konfigurationsdatei aus.
6. Klicken Sie auf **Upload (Laden)**. Die installierte Blende wird jetzt in der Dropdown-Liste **Iris Selection (Blendenauswahl)** angezeigt.
7. Wählen Sie die installierte Blende aus der Dropdown-Liste aus und klicken Sie auf **OK**.

AXIS Q1615 Network Camera

Beachten

- Wenn Sie eine DC-Blenden-Konfigurationsdatei für eine P-Iris-Blende auswählen, wird auf der Seite **Camera Settings (Kameraeinstellungen)** unter dem Blendenkonfigurationstyp eine Fehlermeldung angezeigt. Wählen Sie für eigene DC-Iris-Blenden die Option „Generic DC Iris (Generische DC-Blende)“ aus.
- Sie müssen das Produkt nach dem Objektivwechsel nicht neu starten. Ein Neustart ist jedoch erforderlich, wenn Sie ein P-Iris-Objektiv, ein Objektiv mit DC-Blende oder ein Objektiv mit manueller oder fester Blende gegeneinander austauschen. Zum Einstellen der Bildschärfe und zur Positionierung des Objektivs muss die Kamera an das Netzwerk angeschlossen sein.

Zurücksetzen auf Werkseinstellungen

Wichtig

Das Zurücksetzen auf die Werkseinstellungen sollte mit Vorsicht verwendet werden. Beim Zurücksetzen auf die Werkseinstellungen werden alle Einstellungen einschließlich der IP-Adresse auf die Werkseinstellungen zurückgesetzt.

Beachten

Die Software-Tools für Installation und Verwaltung sind auf der mit dem Produkt ausgelieferten CD-ROM und über die Supportseiten unter www.axis.com/techsup verfügbar.

So wird das Produkt auf die Werkseinstellungen zurückgesetzt:

1. Trennen Sie das Produkt von der Stromversorgung.
2. Halten Sie die Steuertaste gedrückt und stecken Sie den Netzstecker wieder ein. Siehe *Übersicht über die Hardware auf Seite 48*.
3. Halten Sie die Steuertaste etwa 15–30 Sekunden gedrückt, bis die LED-Statusanzeige gelb blinkt.
4. Lassen Sie die Steuertaste los. Der Vorgang ist abgeschlossen, wenn die LED-Statusanzeige grün leuchtet. Das Produkt wurde auf die Werkseinstellungen zurückgesetzt. Wenn kein DHCP-Server im Netzwerk verfügbar ist, lautet die Standard-IP-Adresse 192.168.0.90.
5. Verwenden Sie die Software-Tools für Installation und Verwaltung, um eine IP-Adresse zuzuweisen, ein Kennwort einzurichten und auf den Videostream zuzugreifen.
6. Justieren Sie den Fokus des Produkts neu.

Die Parameter können auch über die Weboberfläche auf die Werkseinstellungen zurückgesetzt werden. Rufen Sie **Setup > System Options > Maintenance (Setup > Systemoptionen > Wartung)** auf.

Weitere Informationen

Das Benutzerhandbuch finden Sie unter www.axis.com.

Unter www.axis.com/techsup finden Sie Firmware-Aktualisierungen für Ihre Netzwerkprodukte. Um die aktuell installierte Firmware-Version zu sehen, gehen Sie auf **Einrichten > Über**.

Besuchen Sie das Axis-Schulungszentrum www.axis.com/academy für anregende Schulungen, Webinare, Lernprogramme und Anleitungen.

Garantieinformationen

Informationen zur Garantie der Axis Produkte und hierzu verbundene Informationen, finden Sie unter www.axis.com/warranty/

Informazioni di Sicurezza

Leggere questa Guida all'Installazione prima di installare il prodotto. Conservare la Guida all'Installazione per usi futuri.

Livelli di pericolo

▲PERICOLO

Indica una situazione pericolosa che, se non evitata, provoca morte o lesioni gravi.

▲AVVERTENZA

Indica una situazione pericolosa che, se non evitata, può provocare la morte o lesioni gravi.

▲ATTENZIONE

Indica una situazione pericolosa che, se non evitata, può provocare lesioni medie o minori.

AWISO

Indica una situazione che, se non evitata, può danneggiare la proprietà.

Livelli altro messaggio

Importante

Indica informazioni importanti, essenziali per il corretto funzionamento del prodotto.

Nota

Indica informazioni utili che aiutano a ottenere il massimo dal prodotto.

Istruzioni di sicurezza

AVISO

- Il prodotto Axis deve essere utilizzato in conformità alle leggi e alle disposizioni locali.
- Per utilizzare il prodotto Axis in ambienti esterni, o in ambienti simili, deve essere installato in una custodia per esterni approvata.
- Conservare il prodotto Axis in un ambiente asciutto e ventilato.
- Evitare di esporre il prodotto Axis a urti o pressioni eccessive.
- Non installare il prodotto su supporti, superfici o pareti instabili.
- Utilizzare solo strumenti applicabili quando si installa il prodotto Axis. Una forza eccessiva può causare danni al prodotto.
- Non utilizzare sostanze chimiche, agenti caustici o detergenti aerosol. Utilizzare un panno pulito inumidito in acqua pura per la pulizia.
- Utilizzare solo accessori compatibili con le specifiche tecniche del prodotto. Questi possono essere forniti da Axis o da terze parti.
- Utilizzare solo parti di ricambio fornite o consigliate da Axis.
- Non tentare di riparare il prodotto da soli. Contattare l'assistenza o il rivenditore Axis per questioni relative alla manutenzione.

Trasporti

AVISO

- Durante il trasporto del prodotto Axis, utilizzare l'imballaggio originale o equivalente per evitare danni al prodotto.

Batteria

Il prodotto Axis utilizza una batteria al litio da 3,0 V BR/CR2032 come alimentazione per il suo real-time clock (RTC) interno. In condizioni normali questa batteria avrà una durata minima di cinque anni.

Una bassa carica della batteria influisce sul funzionamento del RTC, facendolo resettare a ogni accensione. Quando la batteria deve essere sostituita, un messaggio di registro viene visualizzato nel server report del prodotto. Per ulteriori informazioni sul server report, vedere le pagine di configurazione del prodotto o contattare l'assistenza Axis.

La batteria non deve essere sostituita se non richiesto, ma nel caso in cui questo fosse necessario, contattare il supporto Axis all'indirizzo www.axis.com/techsup per assistenza.

⚠AVVERTENZA

- Rischio di esplosione se la batteria viene sostituita in modo errato.
- Sostituire solo con una batteria identica o una batteria consigliata da Axis.
- Smaltire le batterie usate in base alle normative locali o alle istruzioni del produttore della batteria.

Guida all'installazione

La presente Guida all'installazione fornisce le istruzioni necessarie per installare la telecamera di rete AXIS Q1615 nella rete in uso. Per ulteriori informazioni sull'utilizzo del prodotto, consultare la Guida per l'utente disponibile all'indirizzo www.axis.com

Procedure di installazione

1. Assicurarsi che il contenuto della confezione, gli strumenti e altri materiali necessari per l'installazione siano in ordine. Consultare *pagina 67*.
2. Studiare la descrizione dell'hardware. Consultare *pagina 68*.
3. Studiare le specifiche. Consultare *pagina 73*.
4. Installazione dell'hardware. Consultare *pagina 76*.
5. Accedere al prodotto. Consultare *pagina 77*.
6. Impostare la messa a fuoco. Consultare *pagina 77*.

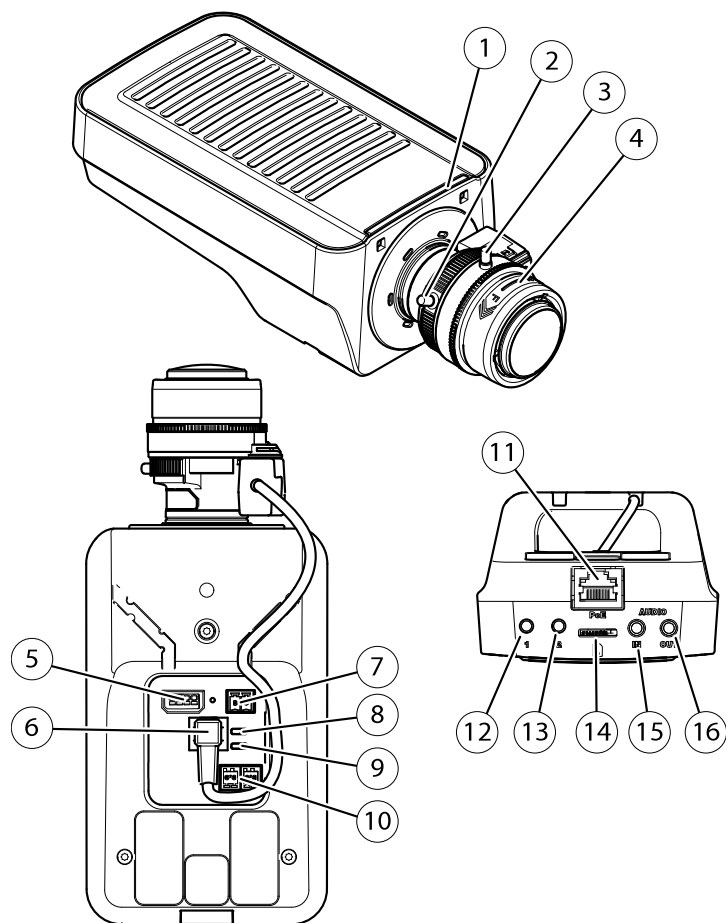
Contenuto della Confezione

- Telecamera di rete AXIS Q1615
- Morsettiera a 2 pin per ingresso alimentazione.
- Morsettiera I/O a 4 pin per collegare dispositivi esterni
- Morsettiera RS485/422 a 2 pin (x2)
- Cavalletto
- Cacciavite Torx T20
- CD d'installazione e gestione
- Materiali stampati
 - Guida all'installazione (questo documento)
 - Etichetta aggiuntiva con numero di serie (x2)
 - Chiave di autenticazione AVHS

Accessori opzionali

Per informazioni sugli accessori disponibili, inclusi gli accessori per l'alimentazione e gli alloggiamenti da esterni, visitare il sito Web www.axis.com.

Panoramica dell'hardware



1. *Indicatore LED stato*
2. *Levetta zoom*
3. *Vite di arresto della ghiera di messa fuoco*
4. *Ghiera di messa a fuoco*
5. *Connettore I/O*
6. *Connettore del diaframma*
7. *Morsettiera di alimentazione*
8. *Indicatore LED di alimentazione*
9. *Indicatore LED di rete*

10. *Connettore RS485/RS422*
11. *Connettore di rete (PoE)*
12. *Pulsante di comando (1)*
13. *Tasto Funzione (2)*
14. *Slot per scheda microSD*
15. *Ingresso audio*
16. *Uscita audio*

Indicatori LED

LED	Colore	Indicazione
Rete	Verde	Luce fissa per connessione di rete a 100 Mbit/s. Luce lampeggiante: attività di rete.
	Giallo	Luce fissa per connessione di rete a 10 Mbit/s. Luce lampeggiante: attività di rete.
	Spento	Assenza di connessione.
LED di stato	Verde	Luce verde fissa: condizioni di normale utilizzo.
	Giallo	Fissa durante l'avvio e quando si ripristinano le impostazioni.
	Rosso	Luce lampeggiante lenta: aggiornamento non riuscito.
Alimentazione	Verde	Normale utilizzo.
	Giallo	Luce lampeggiante verde/gialla: aggiornamento firmware.

AXIS Q1615 Network Camera

Nota

- Lo status del LED può essere configurato per essere spento durante il normale funzionamento. Per configurarlo, selezionare **Setup > System Options > Ports & Devices > LED (Configurazione > Opzioni di sistema > Porte & Dispositivi > LED)**. Per ulteriori informazioni, consultare l'aiuto in linea.
- Il LED di stato può essere configurato per lampeggiare quando un evento è attivo.
- Il LED di stato può essere configurato per lampeggiare per identificare l'unità. Andare su **Setup > System Options > Maintenance (Configurazione > Opzioni di sistema > Manutenzione)**.
- Il LED di alimentazione può essere configurato per essere spento durante il normale funzionamento. Per configurarlo, selezionare **Setup > System Options > Ports & Devices > LED (Configurazione > Opzioni di sistema > Porte & Dispositivi > LED)**. Per ulteriori informazioni, consultare l'aiuto in linea.
- Il LED di rete può essere disattivato in modo da non lampeggiare in caso di traffico di rete. Per configurarlo, selezionare **Setup > System Options > Ports & Devices > LED (Configurazione > Opzioni di sistema > Porte & Dispositivi > LED)**. Per ulteriori informazioni, consultare l'aiuto in linea.

Comportamento del LED di stato per Focus Assistant

Colore	Indicazione
Verde	Focus Assistant abilitato. Obiettivo regolato in modo ottimale.
Giallo	Telecamera spostata oppure inserimento di un oggetto davanti all'obiettivo. Uscire e riavviare Focus Assistant. Obiettivo regolato in modo non ottimale.
Rosso	Telecamera spostata oppure inserimento di un oggetto davanti all'obiettivo. Uscire e riavviare Focus Assistant. Obiettivo regolato in modo improprio.

Segnale acustico per Focus Assistant

Segnale acustico	Obiettivo
Intervallo rapido	Regolato in modo ottimale
Intervallo medio	Regolato in modo meno ottimale
Intervallo lento	Regolato in modo improprio

Comportamento del LED di stato e del segnale acustico per Levelling Assistant

Per informazioni sul tasto Funzione utilizzato per il livellamento della telecamera, consultare *Connettori e pulsanti*.

Colore	Segnale acustico	Posizione telecamera
Verde fisso	Segnale acustico continuo	Orizzontale
Luce lampeggiante verde	Intervallo rapido	Quasi orizzontale
Luce lampeggiante arancione	Intervallo medio	Non orizzontale
Luce lampeggiante rossa	Intervallo lento	Absolutamente non orizzontale

Connettori e pulsanti

Per le specifiche e le condizioni di funzionamento, consultare *pagina 73*.

Connettore di rete

Connettore Ethernet RJ45. Supporta Power over Ethernet (PoE).

AWISO

A causa di normative locali o condizioni ambientali ed elettriche in cui il prodotto deve essere utilizzato, può essere opportuno o necessario l'utilizzo di un cavo di rete schermato (STP). Eventuali cavi di rete che vengono posizionati all'aperto o in ambienti elettrici devono essere schermati (STP) e destinati al loro uso specifico. Assicurarsi che lo switch di rete sia correttamente messo a terra. Per maggiori informazioni sui requisiti normativi, consultare *Electromagnetic Compatibility (EMC) on page 2*.

Connettore I/O

Utilizzare ad esempio nelle applicazioni per rilevazione di movimento, attivazione di eventi, registrazione temporizzata e notifiche di allarme. Oltre a un'alimentazione ausiliaria e a un pin di messa a terra, la morsettiera I/O fornisce l'interfaccia per:

- **Uscita digitale** – Per collegare dispositivi esterni come relè o LED. Le periferiche collegate possono essere attivate tramite VAPIX® API (interfaccia per la programmazione di applicazioni), tramite i pulsanti di comando della pagina Live View (Immagini dal vivo) oppure tramite l'opzione Action Rule (regola di azione). L'uscita verrà visualizzata come attiva (visualizzata in **Opzioni di Sistema > Porte e Dispositivi**) se il dispositivo di allarme è attivato.

AXIS Q1615 Network Camera

- **Ingresso digitale** – Ingresso allarme utilizzabile per collegare le periferiche, che può passare dal circuito chiuso al circuito aperto, ad esempio: Sensori di movimento (PIR), contatti porta/finestra, rilevatori di rottura vetri e così via. Dopo la ricezione del segnale lo stato cambia e l'ingresso diventa attivo (visualizzato in **System Options > Ports & Devices** (Opzioni di Sistema > Porte e Dispositivi)).

Connettore di alimentazione

Morsettiere a 2 pin per ingresso alimentazione. Utilizzare una sorgente di alimentazione limitata (LPS) compatibile con una bassissima tensione di sicurezza (SELV) con una potenza di uscita nominale limitata a ≤ 100 W o una corrente nominale di uscita limitata a ≤ 5 A.

Connettore audio

Il prodotto Axis dispone dei seguenti connettori audio:

- **Ingresso audio (rosa)** - Ingresso audio da 3,5 mm per microfono in mono o segnale mono line-in (il canale sinistro è usato da un segnale stereo).
- **Uscita audio (verde)** - Uscita audio da 3,5 mm (livello di linea) che può essere connessa a un sistema di indirizzo pubblico (PA) o a un altoparlante con amplificatore integrato. Per l'uscita audio è necessario usare un connettore stereo.

Connettore RS485/RS422

Due morsettiere per l'interfaccia seriale RS485/RS422 utilizzate per il controllo di periferiche ausiliarie come i dispositivi PTZ.

Slot per scheda SD

È possibile utilizzare una scheda microSD (non inclusa) per la registrazione in modalità locale con unità di archiviazione rimovibile. Per ulteriori informazioni, consultare *Dati tecnici alla pagina 73*.

AVVISO

Per prevenire il danneggiamento delle registrazioni, la scheda SD deve essere scollegata prima della rimozione. Per scollegare, andare su **Setup > System Options > Storage > SD Card** (Configurazione > Opzioni di sistema > Archiviazione > Scheda SD) e fare clic su **Unmount** (Scollega).

Pulsante di comando

Il pulsante di comando viene utilizzato per:

- Ripristino del prodotto alle impostazioni predefinite di fabbrica. Consultare *pagina 80*.
- Collegamento a un servizio AXIS Video Hosting System o AXIS Internet Dynamic DNS Service. Per ulteriori informazioni su questi servizi, consultare il Manuale Utente.

Tasto Funzione

Il tasto Funzione può essere utilizzato per più finalità:

- **Levelling assistant:** questa funzione aiuta a garantire che la telecamera sia in posizione orizzontale. Premere il pulsante per circa 3 secondi per avviare il levelling assistant e premere nuovamente per interrompere la funzione. Il LED di stato (consultare *pagina 71*) e il segnale acustico (consultare *pagina 70*) sono di ausilio nel livellamento della telecamera. La telecamera è in posizione orizzontale quando il segnale acustico è continuo.
- **Focus assistant:** questa funzione viene utilizzata per abilitare Focus Assistant. Per abilitare la messa a fuoco assistita, premere e rilasciare molto rapidamente il pulsante. Per uscire da Focus Assistant, premere nuovamente il tasto. Per ulteriori informazioni, consultare *pagina 78*.

Dati tecnici

Condizioni di funzionamento

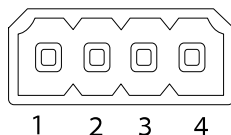
Il prodotto Axis è destinato all'uso interno.

Prodotto	Temperatura	Umidità
AXIS Q1615	Da 0 °C a 55 °C (da 32 °F a 122 °F)	10-85% RH (umidità relativa senza condensa)

Connettore I/O

Morsettiera a 4 pin per:

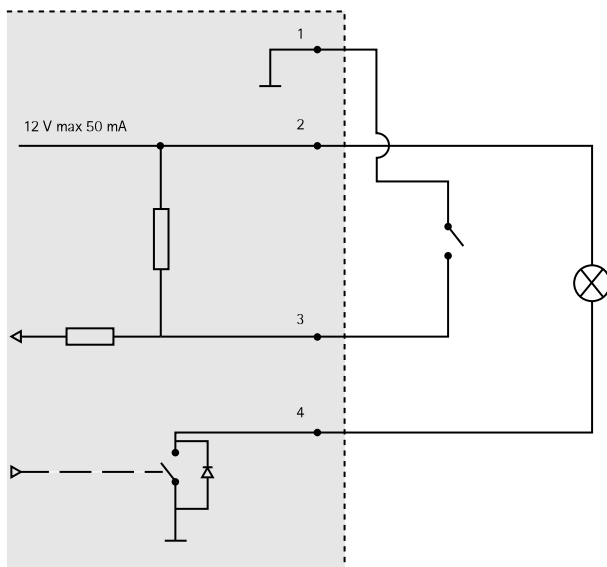
- Alimentazione ausiliaria (uscita CC)
- Ingresso digitale
- Uscita digitale
- 0 V CC (-)



Funzione	Pin	Note	Specifiche
0 V CC (-)	1		
Uscita CC	2	Il pin può essere utilizzato anche per alimentare una periferica ausiliaria. Nota: questo pin può essere usato solo come uscita alimentazione.	12 V CC Carico massimo = 50 mA

AXIS Q1615 Network Camera

Configurabile (ingresso o uscita)	3-	Ingresso digitale - collegare al pin 1 per attivarlo oppure lasciarlo isolato (scollegato) per disattivarlo.	da 0 a max 30 V CC
	4	Uscita digitale - Collegare al pin 1 quando attiva, isolata (scollegata) quando inattiva. Se utilizzata con un carico induttivo, ad esempio un relè esterno, è necessario collegare un diodo in parallelo al carico per proteggere il dispositivo da sovratensioni.	Da 0 a max 30 V CC, open-drain, 100 mA

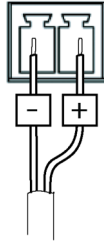


3. I/O configurato come ingresso
4. I/O configurato come uscita

Connettore di alimentazione

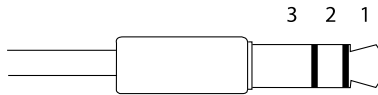
Morsettiere a 2 pin per ingresso alimentazione. Utilizzare una sorgente di alimentazione limitata (LPS) compatibile con una bassissima tensione di sicurezza (SELV) con una potenza di uscita nominale limitata a ≤ 100 W o una corrente nominale di uscita limitata a ≤ 5 A.

Potenza di ingresso
CC



Connettore audio

Connettori audio da 3,5 mm (stereo)

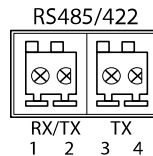


	Ingresso audio	Uscita audio
1 Punta	Ingresso microfono/linea	Uscita linea (mono)
2 Anello		
3 Guaina	Terra	Terra

Connettore RS485/422

Due morsettiere a 2 pin per interfaccia seriale RS485/RS422. La porta seriale può essere configurata per supportare:

- RS485 a due fili, half-duplex
- RS485 a quattro fili, full-duplex
- RS422 a due fili, simplex
- Comunicazione full-duplex punto a punto con RS422 a quattro fili



AXIS Q1615 Network Camera

Funzione	Pin	Note
RS485B alt RS485/422 RX(B)	1	Coppia RX per tutte le modalità (RX/TX combinata per RS485 con due cavi)
RS485A alt RS485/422 RX(A)	2	
RS485/RS422 TX(B)	3	Coppia TX per RS422 e RS485 con quattro cavi
RS485/RS422 TX(A)	4	

Importante

La lunghezza massima del cavo consigliata è di 30 m (98,4 ft).

Slot per scheda SD

Supporta schede microSD con un massimo di 64 GB di archiviazione. Per prestazioni di registrazione ottimali, utilizzare una scheda microSDHC UHS-I o microSDXC UHS-I. A temperature inferiori a - 25° C utilizzare schede SD di qualità industriale.

Installazione dell'Hardware

AVVISO

A causa di normative locali o condizioni ambientali ed elettriche in cui il prodotto deve essere utilizzato, può essere opportuno o necessario l'utilizzo di un cavo di rete schermato (STP). Eventuali cavi di rete che vengono posizionati all'aperto o in ambienti elettrici devono essere schermati (STP) e destinati al loro uso specifico.

1. Se si desidera, collegare dispositivi esterni di ingresso/uscita, ad esempio i dispositivi di allarme. Per informazioni sui pin del connettore terminale, consultare *alla pagina 73*.
2. Collegare, facoltativamente, l'altoparlante attivo e/o il microfono esterno.
3. Collegare la telecamera alla rete mediante un cavo di rete schermato.
4. Collegare l'alimentazione mediante uno dei metodi elencati di seguito:
 - PoE (Power over Ethernet). PoE è rilevato automaticamente quando si collega il cavo di rete.
 - Collegare un alimentatore esterno alla basetta di alimentazione. Consultare *Connettori e pulsanti alla pagina 71*.
5. Verificare che i LED indichino le condizioni di funzionamento corrette. Per ulteriori dettagli, consultare la tabella a *pagina 69*. Notare che è possibile configurare il LED di stato in modo che sia spento durante l'uso normale.
6. Facoltativamente, inserire una scheda microSD (non inclusa) nello slot per schede SD.

AWISO

Per prevenire il danneggiamento delle registrazioni, la scheda SD deve essere smontata prima dell'espulsione. Per smontare, andare su **Setup > System Options > Storage > SD Card (Configurazione > Opzioni di sistema > Archiviazione > Scheda SD)** e fare clic su **Unmount (Smonta)**.

Accedere al Prodotto

Utilizzare le utility contenute nel CD del software d'installazione e gestione per assegnare un indirizzo IP, impostare la password ed accedere al flusso video. Queste informazioni sono disponibili anche sulle pagine dedicate all'assistenza sul sito www.axis.com/techsup/

Regolazione della messa a fuoco

Per regolare lo zoom e la messa a fuoco, attenersi alla seguente procedura:

Nota

- È consigliabile regolare il più accuratamente possibile la messa a fuoco tramite l'apposita ghiera o Focus Assistant prima di avviare la regolazione automatica precisa. Generalmente i risultati migliori si ottengono utilizzando la ghiera di messa a fuoco.
 - Il diaframma deve sempre essere aperto al massimo quando si regola la messa a fuoco. In questo modo, viene utilizzata la minima profondità di campo, offrendo le condizioni migliori per una corretta messa a fuoco.
1. Aprire la pagina iniziale del prodotto e selezionare **Setup (Impostazioni) > Basic Setup (Impostazioni di base) > Focus (Messa a fuoco)**.
 2. Nella scheda **Basic (Base)**, fare clic su **Open iris (Aprire diaframma)**. Se il pulsante è inattivo, il diaframma è già aperto.
 3. Se la messa a fuoco è già stata impostata, fare clic su **Reset (Reimposta)** per reimpostare la messa a fuoco.
 4. Allentare la levetta dello zoom e la vite di arresto della ghiera di messa fuoco (consultare *Panoramica dell'hardware alla pagina 68*) sull'obiettivo ruotandole in senso antiorario. Spostare la levetta dello zoom e la ghiera di messa a fuoco per impostare lo zoom e la messa a fuoco, quindi controllare la qualità dell'immagine nella finestra corrispondente. Se la telecamera è montata in una posizione che non consente di controllare l'immagine e di spostare contemporaneamente la levetta dello zoom e la ghiera di messa fuoco, usare il Focus Assistant. Consultare *Focus Assistant - Messa a Fuoco Assistita alla pagina 78*.
 5. Riavvitare la levetta dello zoom e la vite di arresto della ghiera di messa fuoco.
 6. Nella pagina della messa a fuoco, fare clic su **Fine-tune focus automatically (Messa a fuoco regolazione fine automatica)** e aspettare fino a quando la regolazione fine automatica non viene completata.
 7. Fare clic su **Enable iris (Abilita diaframma)**. Se il pulsante è inattivo, il diaframma è già abilitato.

8. Se necessario, apportare ulteriori regolazioni nella scheda **Advanced (Avanzate)**. Per ulteriori informazioni, consultare l'aiuto in linea.

Focus Assistant – Messa a Fuoco Assistita

Nota

- Verificare che la scena davanti alla telecamera non cambi durante la regolazione della messa a fuoco (punti 5 e 6). Se si sposta la telecamera o si colloca un dito o un altro oggetto davanti all'obiettivo, sarà necessario ripetere le operazioni descritte nei punti da 3 a 7.
- Se non è possibile evitare movimenti davanti alla telecamera, non utilizzare Focus Assistant.
- È possibile utilizzare Focus Assistant anche se la posizione di installazione della telecamera non consente l'accesso al tasto Funzione. Seguire le istruzioni seguenti, ma montare la telecamera dopo il passaggio 4 (tenendo premuto il tasto Funzione) e saltare il passaggio 7.

Per regolare la messa a fuoco della telecamera tramite Focus Assistant, seguire le istruzioni riportate nei punti da 1 a 3 a *pagina 77* prima di eseguire le operazioni descritte di seguito. Consultare *Panoramica dell'hardware alla pagina 68*.

1. Installare o collocare la telecamera in un luogo da cui non possa essere spostata.
2. Allentare la levetta di regolazione dello zoom ruotandola in senso antiorario. Spostare la levetta per impostare il livello di zoom. Riavvitare la levetta dello zoom.
3. Impostare la telecamera nella posizione corrispondente alla massima distanza di messa a fuoco allentando la vite di arresto della ghiera di messa a fuoco e ruotando la ghiera di messa a fuoco in senso antiorario fino in fondo.
4. Premere e rilasciare velocemente il tasto Funzione. Se il LED di stato inizia a lampeggiare in verde, significa che Focus Assistant è abilitato.

Se il LED di stato lampeggia in rosso o giallo prima che si sia riusciti a regolare l'obiettivo, passare al punto 7 per uscire da Focus Assistant e ripetere le operazioni descritte nei punti da 3 a 7. Per ulteriori informazioni, consultare le note riportate in precedenza. Consultare *Comportamento del LED di stato per Focus Assistant alla pagina 70*.

5. Ruotare delicatamente la ghiera di messa fuoco in senso orario fino all'arresto.
6. Ruotare la ghiera di messa a fuoco lentamente in senso antiorario fino a quando l'indicatore di stato lampeggia in verde o giallo (non in rosso).
7. Per uscire da Focus Assistant, premere nuovamente il tasto Funzione. Focus Assistant si disattiva automaticamente dopo 15 minuti.
8. Riavvitare la vite di arresto della ghiera di messa fuoco.
9. Aprire la pagina **Live View (Vista dal Vivo)** nel browser e controllare la qualità dell'immagine.

10. Nella pagina della messa a fuoco, fare clic su **Fine-tune focus automatically (Messa a fuoco regolazione fine automatica)** e aspettare fino a quando la regolazione fine automatica non viene completata.
11. Fare clic su **Enable iris (Abilita diaframma)**. Se il pulsante è inattivo, il diaframma è già abilitato.
12. Se necessario, apportare ulteriori regolazioni nella scheda **Advanced (Avanzate)**. Per ulteriori informazioni, consultare l'aiuto in linea.

Sostituzione dell'obiettivo

Per il prodotto Axis è possibile utilizzare obiettivi opzionali.

Per sostituire l'obiettivo:

1. Scollegare il cavo del diaframma.
2. Svitare l'obiettivo standard.
3. Collegare e avvitare il nuovo obiettivo.

Per modificare la configurazione del diaframma:

1. Andare a **Setup (Configurazione) > Video and Audio (Video e audio) > Camera Settings (Impostazioni telecamera)**. **Iris configuration (Configurazione diaframma)** mostra il tipo di diaframma attualmente configurato.
2. Fare clic su **Edit (Modifica)**.
3. Selezionare l'obiettivo del diaframma installato dall'elenco a discesa e fare clic su **OK**.

Per modificare la configurazione del diaframma per obiettivi P-iris non presenti nell'elenco a discesa:

1. Scaricare il file di configurazione del diaframma da www.axis.com
2. Andare a **Setup (Configurazione) > Video and Audio (Video e audio) > Camera Settings (Impostazioni telecamera)**. **Iris configuration (Configurazione diaframma)** mostra il tipo di diaframma attualmente configurato.
3. In **Iris configuration (Configurazione diaframma)**: Fare clic su **Edit (Modifica)**.
4. Andare alla scheda **Upload (Caricamento)**.
5. Fare clic su **Browse (Sfogliare)** e selezionare il file di configurazione.
6. Fare clic su **Upload (Caricamento)**. L'obiettivo del diaframma installato deve essere ora incluso nell'elenco a discesa **Iris Selection (Selezione diaframma)**.
7. Selezionare l'obiettivo del diaframma installato dall'elenco a discesa e fare clic su **OK**.

Nota

- Se si seleziona un file di configurazione DC iris per un obiettivo P-iris, verrà visualizzato un messaggio di errore sotto il tipo di configurazione del diaframma nella pagina **Camera Settings (Impostazioni telecamera)**. Per obiettivi DC Iris personalizzati, selezionare l'opzione **Generic DC Iris (DC Iris generico)**.
- Non è necessario riavviare il prodotto dopo la sostituzione dell'obiettivo. Il prodotto deve tuttavia essere riavviato se la sostituzione avviene tra un obiettivo P-iris, DC-Iris o con diaframma fisso/manuale. Per impostare la messa a fuoco e posizionare l'obiettivo, il prodotto deve essere collegato alla rete.

Ripristino dei valori predefiniti di fabbrica

Importante

Il ripristino delle impostazioni di fabbrica deve essere usato con cautela. Un ripristino delle impostazioni di fabbrica consentirà di ripristinare le impostazioni di fabbrica per tutti i parametri, incluso l'indirizzo IP.

Nota

Gli strumenti per l'installazione e la gestione del software sono disponibili sul CD fornito con il prodotto e sulle pagine dedicate all'assistenza sul sito Web www.axis.com/techsup.

Per ripristinare il prodotto alle impostazioni predefinite di fabbrica:

1. Scollegare l'alimentazione dal prodotto.
2. Tenere premuto il pulsante di controllo e ricollegare l'alimentazione. Vedere *Panoramica dell'hardware alla pagina 68*.
3. Tenere premuto il pulsante di controllo per 15–30 secondi circa fino a quando l'indicatore LED di stato lampeggerà in giallo.
4. Rilasciare il pulsante di controllo. Il processo è completo quando il LED di stato diventerà verde. Il prodotto è stato reimpostato alle impostazioni di fabbrica predefinite. Se nessun server DHCP è disponibile in rete, l'indirizzo IP predefinito è 192.168.0.90.
5. Mediante gli strumenti per l'installazione e la gestione del software, assegnare un indirizzo IP, impostare la password e accedere al flusso video.
6. Ripetere la messa a fuoco del prodotto.

È anche possibile reimpostare i parametri alle impostazioni predefinite di fabbrica mediante l'interfaccia web. Andare su **Setup > System Options > Maintenance (Configurazione > Opzioni di sistema > Manutenzione)**.

Ulteriori Informazioni

Il Manuale per l'Utente è disponibile all'indirizzo www.axis.com

Visitare il sito all'indirizzo www.axis.com/techsup per verificare se sono stati pubblicati aggiornamenti del firmware per il proprio prodotto di rete. Per conoscere la versione del firmware installata, andare su **Setup (Impostazioni) > About (Informazioni su)**.

Visitare il Centro di apprendimento Axis alla pagina www.axis.com/academy per servizi di formazione utili, webinar, tutorial e guide.

Informazioni sulla garanzia

Per informazioni sulla garanzia del prodotto Axis e informazioni ad esso relative, consultare la pagina www.axis.com/warranty/

Información de seguridad

Lea esta Guía de instalación con atención antes de instalar el producto. Guarde la Guía de instalación para poder consultarla en otro momento.

Niveles de peligro

▲PELIGRO

Indica una situación peligrosa que, si no se evita, provocará lesiones graves o la muerte.

▲ADVERTENCIA

Indica una situación peligrosa que, si no se evita, puede provocar lesiones graves o la muerte.

▲ATENCIÓN

Indica una situación peligrosa que, si no se evita, puede provocar lesiones moderadas o leves.

AVISO

Indica una situación peligrosa que, si no se evita, puede provocar daños materiales.

Otros niveles de mensaje

Importante

Indica información importante que es fundamental para que el producto funcione correctamente.

Nota

Indica información útil que ayuda a aprovechar el producto al máximo.

Instrucciones de seguridad

AVISO

- El producto de Axis debe utilizarse de acuerdo con las leyes y normas locales.
- Para usar el producto de Axis en exteriores, o en entornos similares, debe instalarse en una carcasa exterior aprobada.
- Almacene el producto de Axis en un entorno seco y ventilado.
- Evite la exposición del producto de Axis a choques o a una fuerte presión.
- No instale el producto en soportes, superficies o paredes inestables.
- Utilice solo las herramientas correspondientes cuando instale el producto de Axis. La aplicación de una fuerza excesiva puede provocar daños en el producto.
- No utilice limpiadores en aerosol, agentes cáusticos ni productos químicos. Limpie con un trapo limpio humedecido con agua pura.
- Utilice solo accesorios que cumplan con las especificaciones técnicas del producto. Estos accesorios los puede proporcionar Axis o un tercero.
- Utilice solo piezas de repuesto proporcionadas o recomendadas por Axis.
- No intente reparar el producto usted mismo. Póngase en contacto con el servicio de asistencia técnica de Axis o con su distribuidor de Axis para tratar asuntos de reparación.

Transporte

AVISO

- Cuando transporte el producto de Axis, utilice el embalaje original o un equivalente para evitar daños en el producto.

Batería

Este producto de Axis utiliza una batería de litio BR/CR2032 de 3,0 V como fuente de alimentación del reloj interno en tiempo real. En condiciones normales, esta batería durará un mínimo de cinco años.

Un nivel bajo de batería afectará al funcionamiento del reloj en tiempo real, lo que provocará el restablecimiento de este cada vez que se encienda el producto. Cuando sea necesario sustituir la batería, aparecerá un mensaje de registro en el informe del servidor del producto. Para obtener más información sobre el informe del servidor, vea las páginas de configuración del producto o póngase en contacto con el servicio de asistencia técnica de Axis.

La batería no debe sustituirse a menos que sea necesario; no obstante, si precisa hacerlo, póngase en contacto con el servicio de asistencia técnica de Axis en www.axis.com/techsup para solicitar ayuda.

⚠ADVERTENCIA

- La sustitución incorrecta de la batería implica riesgo de explosión.
- Sustituya la batería con una batería idéntica u otra batería recomendada por Axis.
- Deseche las baterías usadas de conformidad con la normativa local o las instrucciones del fabricante.

Guía de instalación

Esta Guía de instalación incluye las instrucciones necesarias para instalar la cámara de red AXIS Q1615 en su red. Para conocer otros aspectos de uso del producto, vea el Manual del usuario disponible en www.axis.com

Pasos de la instalación

1. Asegúrese de que dispone del contenido del paquete, las herramientas y los demás materiales necesarios para la instalación. *Vea página 87.*
2. Estudie la información general del hardware. *Vea página 88.*
3. Estudie las especificaciones. *Vea página 93.*
4. Instale el hardware. *Vea página 96.*
5. Acceda al producto. *Vea página 97.*
6. Establezca el enfoque. *Vea página 97.*

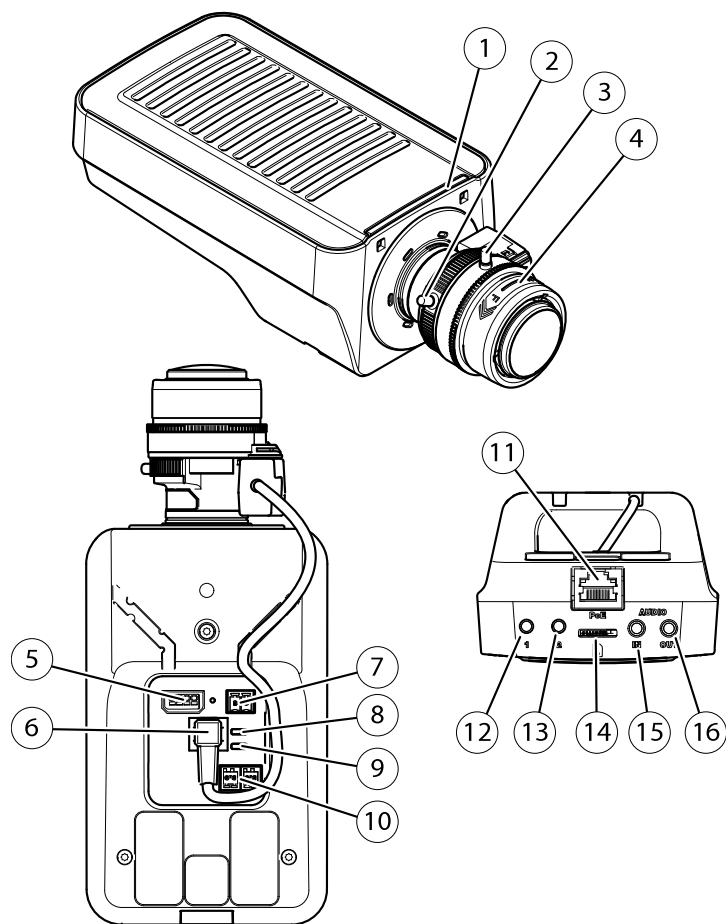
Contenido del paquete

- Cámara de red AXIS Q1615
- Bloque de conector de dos pines para entrada de alimentación
- Bloque de terminales de E/S de cuatro pines para conectar dispositivos externos
- Bloque de terminales de dos pines RS485/422 (x2)
- Soporte de la cámara
- Destornillador Torx T20
- CD del software de instalación y gestión
- Materiales impresos
 - Guía de instalación (este documento)
 - Etiquetas adicionales con el número de serie (x2)
 - Clave de autenticación AVHS

Accesorios opcionales

Para obtener información sobre los accesorios disponibles, incluidos los accesorios de alimentación y las carcasas para exteriores, visite www.axis.com.

Información general del hardware



1. *Indicador LED de estado*
2. *Palanca de zoom*
3. *Tornillo de bloqueo del anillo de enfoque*
4. *Anillo de enfoque*
5. *Conector de E/S*
6. *Conector de iris*
7. *Conector de alimentación*
8. *Indicador LED de corriente*
9. *Indicador LED de red*

10. Conector RS485/RS422
11. Conector de red (PoE)
12. Botón de control (1)
13. Botón de función (2)
14. Ranura para tarjetas microSD
15. Entrada de audio
16. Salida de audio

Indicadores LED

LED	Color	Indicación
Red	Verde	Fijo para indicar una conexión a una red de 100 Mbits/s. Parpadea cuando hay actividad de red.
	Ámbar	Fijo para indicar una conexión a una red de 10 Mbits/s. Parpadea cuando hay actividad de red.
	Apagado	No hay conexión a la red.
Estado	Verde	Verde fijo para indicar un funcionamiento normal.
	Ámbar	Fijo durante el inicio y al restaurar valores de configuración.
	Rojo	Parpadea despacio si se ha producido un error en una actualización.
Alimentación	Verde	Funcionamiento normal.
	Ámbar	Parpadea en verde/ámbar durante la actualización del firmware.

Nota

- Se puede configurar el LED Estado para que se apague durante el funcionamiento normal. Para ello, vaya a **Setup > System Options > Ports & Devices > LED** (Configuración > Opciones del sistema > Puertos y dispositivos > LED). Vea la ayuda en línea para obtener más información.
- Se puede configurar el LED Estado para que parpadee mientras haya un evento activo.
- Se puede configurar el LED de estado para que parpadee e identifique la unidad. Vaya a **Setup > System Options > Maintenance** (Configuración > Opciones del sistema > Mantenimiento).
- Se puede configurar el indicador LED de alimentación para que se apague durante el funcionamiento normal. Para ello, vaya a **Setup > System Options > Ports & Devices > LED** (Configuración > Opciones del sistema > Puertos y dispositivos > LED). Vea la ayuda en línea para obtener más información.
- El indicador LED de red puede desactivarse para que no parpadee cuando exista tráfico de red. Para ello, vaya a **Setup > System Options > Ports & Devices > LED** (Configuración > Opciones del sistema > Puertos y dispositivos > LED). Vea la ayuda en línea para obtener más información.

Comportamiento del indicador LED de estado del Asistente de enfoque

Color	Indicación
Verde	El Asistente de enfoque está activado. El ajuste del objetivo es óptimo.
Ámbar	La cámara se ha movido o se ha colocado algún objeto delante del objetivo. Salga y reinicie el Asistente de enfoque. El ajuste del objetivo es menos óptimo.
Rojo	La cámara se ha movido o se ha colocado algún objeto delante del objetivo. Salga y reinicie el Asistente de enfoque. El ajuste del objetivo es pobre.

Avisador acústico del Asistente de enfoque

Avisador acústico	Objetivo
Intervalo rápido	Ajuste óptimo
Intervalo medio	Ajuste menos óptimo
Intervalo lento	Ajuste pobre

Comportamiento del indicador LED de estado y la señal del avisador acústico con el Asistente de nivelación

Para obtener información sobre el botón de función, utilizado para nivelar la cámara, vea *Conectores y botones*.

Color	Avisador acústico	Posición de la cámara:
Verde continuo	Sonido continuo	Nivelada
Verde parpadeante	Intervalo rápido	Casi nivelada
Ámbar parpadeante	Intervalo medio	No nivelada
Rojo parpadeante	Intervalo lento	En absoluto nivelada

Conectores y botones

Para conocer las especificaciones y las condiciones de funcionamiento, vea *página 93*.

Conector de red

Conector Ethernet RJ45. Admite alimentación a través de Ethernet (PoE).

AVISO

Debido a la normativa local o a las condiciones ambientales y eléctricas en las que se vaya a utilizar el producto, puede que sea adecuado u obligatorio el uso de un cable de red blindado (STP). Todos los cables de red que se utilicen en exteriores o en entornos eléctricos exigentes deberán estar blindados (STP) y diseñados para su uso específico. Asegúrese de que el conmutador de red disponga de una conexión a tierra adecuada. Para obtener información sobre los requisitos normativos, vea *Electromagnetic Compatibility (EMC) on page 2*.

Conector de E/S

Se utiliza en aplicaciones de, por ejemplo, detección de movimiento, activación de eventos, grabación de intervalos de tiempo y notificaciones de alarma. Además de un pin auxiliar de alimentación y conexión a tierra, el conector del terminal de E/S proporciona la interfaz para lo siguiente:

- **Salida digital:** para conectar dispositivos externos como relés y LED. Los dispositivos conectados se pueden activar mediante la Interfaz de programación de aplicaciones (API) VAPIX®, los botones de salida de la página Live View o mediante una regla de acción. La salida se mostrará activa (se indica en **System Options > Ports Et Devices** (Opciones del sistema > Puertos y dispositivos)) si el dispositivo de alarma está activado.
- **Entrada digital:** una entrada de alarma para conectar dispositivos que puedan alternar circuitos cerrados y abiertos, como detectores PIR, contactos de puertas y ventanas,

AXIS Q1615 Network Camera

detectores de rotura de cristales, etc. Cuando se recibe una señal, el estado cambia y la entrada se vuelve activa (se indica en **System Options > Ports & Devices** (Opciones del sistema > Puertos y dispositivos)).

Conector de alimentación

Bloque de terminales de 2 pines para la entrada de alimentación. Use una fuente de alimentación limitada (LPS) que cumpla los requisitos de tensión muy baja de seguridad (SELV) con una potencia nominal de salida limitada a ≤ 100 W o una corriente nominal de salida limitada a ≤ 5 A.

Conector de audio

El producto de Axis integra los siguientes conectores de audio:

- **Entrada de audio (rosa):** entrada de 3,5 mm para micrófono mono, o entrada de línea de señal mono (se usa el canal izquierdo de una señal estéreo).
- **Salida de audio (verde):** salida para audio (nivel de línea) de 3,5 mm que se puede conectar a un sistema de megafonía pública o a un altavoz con amplificador incorporado. Debe utilizarse un conector estéreo para la salida de audio.

Conector RS485/RS422

Dos bloques de terminales de 2 pines para la interfaz serie RS485/RS422 usada para controlar equipos auxiliares, como dispositivos PTZ.

Ranura para tarjetas SD

Puede emplearse una tarjeta microSD (no incluida) para la grabación local con almacenamiento extraíble. Para obtener más información, vea *Especificaciones en la página 93*.

AVISO

Antes de retirar la tarjeta SD, hay que desinstalarla para evitar que las grabaciones resulten dañadas. Para desinstalarla, vaya a **Setup > System Options > Storage > SD Card** (Configuración > Opciones del sistema > Almacenamiento > Tarjeta SD) y haga clic en **Unmount** (Desinstalar).

Botón de control

El botón de control se utiliza para lo siguiente:

- Restablecer el producto a la configuración predeterminada de fábrica. Vea *página 100*.
- Conectarse a un servicio AXIS Video Hosting System o al Servicio de DNS dinámico de Internet de AXIS. Para obtener más información sobre estos servicios, vea el Manual del usuario.

Botón de función

El botón de función tiene diversas utilidades:

- **Asistente de nivelación:** esta función ayuda a garantizar que la cámara está nivelada. Presione el botón durante 3 segundos aproximadamente para iniciar el Asistente de nivelación; presiónelo de nuevo para detener el Asistente de nivelación. El indicador LED de estado (vea *página 91*) y la señal del avisador acústico (vea *página 90*) ayudan en la nivelación de la cámara. La cámara está nivelada cuando el avisador acústico emite un sonido continuo.
- **Asistente de enfoque:** esta función se utiliza para activar el Asistente de enfoque. Para activar el Asistente de enfoque, presione y suelte rápidamente el botón. Para detener el Asistente de enfoque, presione y suelte rápidamente el botón una vez más. Para obtener más información, vea *página 98*.

Especificaciones

Condiciones de funcionamiento

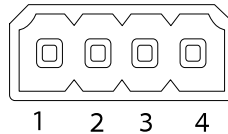
El producto de Axis se ha creado para su uso en interiores.

Producto	Temperatura	Humedad
AXIS Q1615	0 °C - 55 °C	10 % - 85 % de humedad relativa (sin condensación)

Conector de E/S

Bloque de terminales de cuatro pines para:

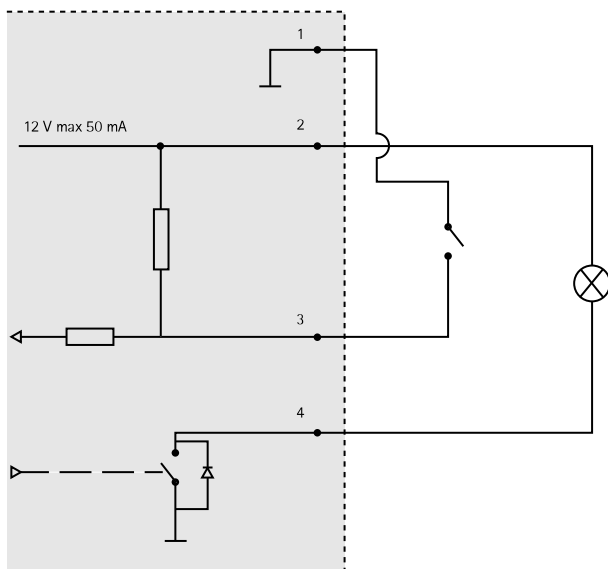
- Alimentación auxiliar (salida de CC)
- Entrada digital
- Salida digital
- 0 V CC (-)



Función	Pin	Notas	Especificaciones
0 V CC (-)	1		
Salida de CC	2	Se puede utilizar para conectar el equipo auxiliar. Nota: Este pin solo se puede utilizar como salida.	12 V CC Carga máx. = 50 mA

AXIS Q1615 Network Camera

Configurable (entrada o salida)	3-4	Entrada digital: Conéctela al pin 1 para activarla, o bien déjela suelta (o desconectada) para desactivarla.	0 a 30 V CC máx.
		Salida digital: Conectada al pin 1 cuando se activa y suelta (sin conectar) cuando está desactivada. Si se utiliza con una carga inductiva (por ejemplo, un relé), debe conectarse un diodo en paralelo a la carga como protección ante transitorios de tensión.	0 a 30 V CC máx., drenaje abierto, 100 mA

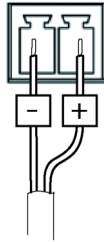


3. E/S configurada como entrada
4. E/S configurada como salida

Conector de alimentación

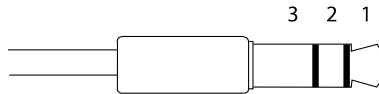
Bloque de terminales de 2 pines para la entrada de alimentación. Use una fuente de alimentación limitada (LPS) que cumpla los requisitos de tensión muy baja de seguridad (SELV) con una potencia nominal de salida limitada a $\leq 100\text{ W}$ o una corriente nominal de salida limitada a $\leq 5\text{ A}$.

Entrada de alimentación de CC



Conector de audio

Conectores de audio de 3,5 mm (estéreo)

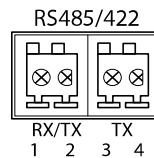


	Entrada de audio	Salida de audio
1 Punta	Entrada de línea/micrófono	Salida de línea (mono)
2 Anillo		
3 Manguito	Tierra	Tierra

Conector RS485/422

Dos bloques de terminales de 2 pines para la interfaz serie RS485/RS422. El puerto serie puede configurarse para admitir:

- Semidúplex RS485 de dos cables
- Dúplex completo RS485 de cuatro cables
- Simplex RS422 de dos cables
- Dúplex completo RS422 de cuatro cables para comunicación dúplex punto a punto



AXIS Q1615 Network Camera

Función	Pin	Notas
RS485B alt RS485/422 RX(B)	1	Par RX para todos los modos (RX/TX combinados para RS485 de dos cables)
RS485A alt RS485/422 RX(A)	2	
RS485/RS422 TX(B)	3	Par TX para RS422 y RS485 de cuatro cables
RS485/RS422 TX(A)	4	

Importante

La longitud de cable máxima recomendada es 30 m.

Ranura para tarjetas SD

Admite tarjetas microSD de hasta 64 GB de capacidad de almacenamiento. Para obtener un rendimiento de grabación óptimo, utilice una tarjeta microSDHC UHS-I o microSDXC UHS-I. Cuando la temperatura sea inferior a - 25 °C, utilice una tarjeta SD industrial.

Instalación del hardware

AVISO

Debido a la normativa local o a las condiciones ambientales y eléctricas en las que se vaya a utilizar el producto, puede que sea adecuado u obligatorio el uso de un cable de red blindado (STP). Todos los cables de red que se utilicen en exteriores o en entornos eléctricos exigentes deberán estar blindados (STP) y diseñados para su uso específico.

1. Si lo desea, conecte dispositivos de entrada/salida externos, como dispositivos de alarma. Para obtener información sobre los pines del conector del terminal, vea *en la página 93*.
2. Si lo desea, conecte un altavoz activo y/o un micrófono externo.
3. Conecte la cámara a la red mediante un cable de red blindado.
4. Conecte la alimentación utilizando uno de los métodos enumerados a continuación:
 - Alimentación a través de Ethernet (PoE) El sistema detecta automáticamente la alimentación PoE cuando se conecta el cable de red.
 - Conecte un adaptador de corriente externo al bloque del conector de alimentación. Vea *Conectores y botones en la página 91*.
5. Compruebe que los indicadores LED indican las condiciones correctas. Vea la tabla de la *página 89* para obtener información detallada. Tenga en cuenta que el indicador LED puede configurarse de modo que esté apagado durante el funcionamiento normal.
6. Si lo desea, inserte una tarjeta microSD (no incluida) en la ranura de tarjetas SD.

AVISO

Para evitar que las grabaciones resulten dañadas, es preciso desinstalar la tarjeta SD antes de expulsarla. Para desinstalarla, vaya a **Setup > System Options > Storage > SD Card** (Configuración > Opciones del sistema > Almacenamiento > Tarjeta SD) y haga clic en **Unmount** (Desinstalar).

Acceso al producto

Utilice las herramientas suministradas en el CD del software de instalación y gestión para asignar una dirección IP, establecer la contraseña y acceder a la transmisión de vídeo. Esta información también está disponible en las páginas de asistencia técnica en www.axis.com/techsup/

Ajuste de enfoque

Para ajustar el zoom y el enfoque, siga las instrucciones detalladas a continuación:

Nota

- Antes de iniciar el ajuste preciso automático, establezca el enfoque con la mayor precisión posible con la ayuda del anillo de enfoque o el Asistente de enfoque. Generalmente, los mejores resultados se obtienen con el anillo de enfoque.
 - Durante el enfoque, el iris debe estar abierto al máximo en todo momento. Con esto se consigue la menor profundidad de campo posible y, por tanto, las condiciones óptimas para el enfoque correcto.
1. Abra la página inicial del producto y vaya a **Setup (Configuración) > Basic Setup (Configuración básica) > Focus (Enfoque)**.
 2. En la pestaña **Basic (Básica)**, haga clic en **Open iris (Abrir iris)**. Si el botón no está activo, esto significa que el iris ya está abierto.
 3. Si el enfoque se ha establecido en alguna ocasión anterior, haga clic en **Reset (Restablecer)** para restablecer el enfoque anterior.
 4. Afloje la palanca de zoom y el tornillo de bloqueo del anillo de enfoque (vea *Información general del hardware en la página 88*) del objetivo girándolos en el sentido contrario a las agujas del reloj. Mueva la palanca de zoom y el anillo de enfoque para establecer el zoom y el enfoque y compruebe la calidad de la imagen en la ventana de imagen. Si la cámara está montada de manera que no es posible mirar la imagen y mover la palanca de zoom y el anillo de enfoque al mismo tiempo, utilice el Asistente de enfoque en su lugar. Vea *Asistente de enfoque en la página 98*.
 5. Apriete de nuevo la palanca de zoom y el tornillo de bloqueo del anillo de enfoque.
 6. En la página de enfoque, haga clic en **Fine-tune focus automatically (Ajustar el enfoque automáticamente)** y espere a que el ajuste preciso automático finalice.
 7. Haga clic en **Enable iris (Activar iris)**. Si el botón no está activo, esto significa que el iris ya está activado.

8. En caso necesario, realice ajustes adicionales en la pestaña **Advanced (Avanzada)**. Vea la ayuda en línea para obtener más información.

Asistente de enfoque

Nota

- La vista delante de la cámara no debe cambiar durante el ajuste del enfoque (pasos 5 y 6). Si la cámara se mueve, o si se coloca un dedo u otro objeto delante del objetivo, será preciso repetir los pasos 3 a 7.
- Si no es posible evitar el movimiento delante de la cámara, el Asistente de enfoque no debe utilizarse.
- Si la cámara está montada de manera que no es posible acceder al botón de función, todavía se puede utilizar el Asistente de enfoque. En tal caso, siga las instrucciones detalladas anteriormente pero monte la cámara después del paso 4, en esta ocasión presionando el botón de función, y omita el paso 7.

Para enfocar la cámara de red con la ayuda del Asistente de enfoque, siga los pasos 1 a 3 descritos en *página 97* antes de iniciar la secuencia de pasos detallada a continuación. Vea *Información general del hardware en la página 88*.

1. Monte o coloque la cámara de modo que no pueda moverse.
2. Afloje la palanca de zoom girándola en el sentido contrario a las agujas del reloj. Mueva la palanca para establecer el nivel de zoom. Apriete de nuevo la palanca de zoom.
3. Ponga la cámara en la posición máxima de enfoque lejano; para hacerlo, afloje el tornillo de bloqueo del anillo de enfoque y gire el anillo de enfoque en el sentido contrario a las agujas del reloj hasta el tope.
4. Presione y suelte rápidamente el botón de función. Cuando el indicador LED de estado parpadea en verde, el Asistente de enfoque está activado.
Si el indicador LED de estado parpadea en rojo o ámbar antes de que pueda ajustar el objetivo, omita el paso 7 para salir del Asistente de enfoque y repita los pasos 3 a 7. Vea las notas enumeradas anteriormente. Vea *Comportamiento del indicador LED de estado del Asistente de enfoque en la página 90*.
5. Gire lentamente el anillo de enfoque en el sentido de las agujas del reloj hasta que se detenga.
6. Gire lentamente el anillo de enfoque en el sentido contrario a las agujas del reloj hasta que el indicador LED de estado parpadee en verde o ámbar (no en rojo).
7. Para salir del Asistente de enfoque, presione y suelte rápidamente el botón una vez más. El Asistente de enfoque se desactiva automáticamente transcurridos 15 minutos.
8. Apriete de nuevo el tornillo de bloqueo del anillo de enfoque.
9. Abra la página **Live View (Vista en directo)** en el explorador Web y compruebe la calidad de la imagen.

10. En la página de enfoque, haga clic en **Fine-tune focus automatically (Ajustar el enfoque automáticamente)** y espere a que el ajuste preciso automático finalice.
11. Haga clic en **Enable iris (Activar iris)**. Si el botón no está activo, esto significa que el iris ya está activado.
12. En caso necesario, realice ajustes adicionales en la pestaña **Advanced (Avanzada)**. Vea la ayuda en línea para obtener más información.

Sustitución del objetivo

Con este producto de Axis, es posible utilizar objetivos opcionales.

Para sustituir el objetivo:

1. Desconecte el cable del iris.
2. Desatornille el objetivo estándar.
3. Acople y atornille el nuevo objetivo.

Para cambiar la configuración del iris:

1. Vaya a **Setup > Video and Audio > Camera Settings (Configuración > Vídeo y audio > Configuración de la cámara)**. En **Iris configuration (Configuración de iris)** se muestra el tipo de iris configurado en ese momento.
2. Haga clic en **Edit (Modificar)**.
3. En la lista desplegable, seleccione el objetivo de iris instalado y haga clic en **OK (Aceptar)**.

Para cambiar la configuración del iris de los objetivos de iris de tipo P que no figuren en la lista desplegable:

1. Descargue el archivo de configuración de iris de www.axis.com
2. Vaya a **Setup > Video and Audio > Camera Settings (Configuración > Vídeo y audio > Configuración de la cámara)**. En **Iris configuration (Configuración de iris)** se muestra el tipo de iris configurado en ese momento.
3. En **Iris configuration (Configuración de iris)**: Haga clic en **Edit (Modificar)**.
4. Vaya a la pestaña **Upload (Cargar)**.
5. Haga clic en **Browse (Examinar)** y seleccione el archivo de configuración correspondiente.
6. Haga clic en **Upload (Cargar)**. A continuación, el objetivo de iris instalado debería figurar en la lista desplegable **Iris Selection (Selección de iris)**.
7. En la lista desplegable, seleccione el objetivo de iris instalado y haga clic en **OK (Aceptar)**.

Nota

- En caso de seleccionar un archivo de configuración de iris tipo DC para un iris de tipo P, aparecerá un mensaje de error a continuación del tipo de configuración de iris, en la página **Camera Settings (Configuración de la cámara)**. Para los objetivos de iris de tipo DC personalizados, seleccione la opción de iris de tipo DC genérico.
- No es preciso reiniciar el producto después de cambiar el objetivo. No obstante, sí será preciso reiniciarlo en caso de cambio entre objetivos de iris de tipo P, tipo DC o fijo/manual. Para poder establecer el enfoque y la posición del objetivo, es necesario conectar el producto a la red.

Restablecimiento a la configuración predeterminada de fábrica

Importante

Hay que tener cuidado al restablecer la configuración predeterminada de fábrica. Todos los valores, incluida la dirección IP, se restablecerán a la configuración predeterminada de fábrica.

Nota

Las herramientas del software de instalación y gestión están disponibles en el CD suministrado con el producto, así como en las páginas de asistencia técnica en www.axis.com/techsup.

Para restablecer el producto a la configuración predeterminada de fábrica:

1. Desconecte la alimentación del producto.
2. Mantenga pulsado el botón de control y vuelva a conectar la alimentación. Vea *Información general del hardware en la página 88*.
3. Mantenga pulsado el botón de control durante 15–30 segundos hasta que el indicador LED de estado parpadee en ámbar.
4. Suelte el botón de control. El proceso finaliza cuando el indicador LED de estado se pone verde. El producto se ha restablecido a la configuración predeterminada de fábrica. Si no hay ningún servidor DHCP disponible en la red, la dirección IP predeterminada es 192.168.0.90.
5. Utilice las herramientas del software de instalación y gestión para asignar una dirección IP, establecer la contraseña y acceder a la transmisión de vídeo.
6. Vuelva a enfocar el producto.

También es posible restablecer los parámetros a los valores predeterminados de fábrica mediante la interfaz web. Para ello, vaya a **Setup > System Options > Maintenance (Configuración > Opciones del sistema > Mantenimiento)**.

Más información

El Manual de usuario se encuentra disponible en www.axis.com.

Visite www.axis.com/techsup para comprobar si existe un firmware actualizado disponible para su producto de red. Para ver la versión del firmware instalado actualmente, vaya a **Setup > About** (Configuración > Acerca de).

Visite el centro de aprendizaje de www.axis.com/academy para consultar guías, tutoriales, seminarios web y cursos que pueden resultarle útiles.

Información de la garantía

Para obtener más información acerca de la garantía del producto Axis e información relacionada, visite www.axis.com/warranty/

安全情報

本製品を設置する前に、このインストールガイドをよくお読みください。インストールガイドは、後で参照できるように保管しておいてください。

危険レベル

▲危険

回避しない場合、死亡または重傷につながる危険な状態を示します。

▲警告

回避しない場合、死亡または重傷につながるおそれのある危険な状態を示します。

▲注意

回避しない場合、軽傷または中程度の怪我につながるおそれのある危険な状態を示します。

注記

回避しない場合、器物の破損につながるおそれのある状態を示します。

その他のメッセージレベル

重要

製品を正しく機能させるために不可欠な重要情報を示します。

注意

製品を最大限に活用するために役立つ有用な情報を示します。

安全手順

注記

- 本製品は、お使いになる地域の法律や規制に準拠して使用してください。
- 本製品を屋外またはそれに準じる環境で使用する場合は、認定済みの屋外用筐体に収納して設置する必要があります。
- 本製品は乾燥した換気のよい環境に保管してください。
- 本製品に衝撃または強い圧力を加えないでください。
- 本製品を不安定なブラケット、表面、または壁に設置しないでください。
- 本製品を設置する際には、適切な工具のみを使用してください。過剰な力がかかると、製品が損傷することがあります。
- 化学薬品、腐食剤、噴霧式クリーナーは使用しないでください。清掃には、きれいな水に浸した清潔な布を使用してください。
- 製品の技術仕様に準拠したアクセサリのみを使用してください。これらのアクセサリは、Axisまたはサードパーティから入手できます。
- Axisが提供または推奨する交換部品のみを使用してください。
- 製品を自分で修理しないでください。修理については、Axisのサポートまたは販売代理店にお問い合わせください。

輸送

注記

- 本製品を運搬する際は、製品が損傷しないよう、元の梱包か同等の梱包を使用してください。

バッテリー

本製品は、内部リアルタイムクロック (RTC) 用電源として、3.0 V BR/CR2032リチウムバッテリーを使用します。このバッテリーは、通常条件下で最低5年間使用できます。

バッテリーが低電力状態になると、RTCの動作に影響し、電源を入れるたびにRTCがリセットされます。バッテリーの交換が必要になると、製品のサーバーレポートにログメッセージが表示されます。サーバーレポートの詳細については、製品の設定ページを参照するか、Axisサポートまでお問い合わせください。

必要な場合以外はバッテリーを交換しないでください。バッテリーの交換が必要な場合は、Axisサポート (www.axis.com/techsup) までご連絡ください。

▲警告

- バッテリーは、正しく交換しないと爆発する危険があります。
- 交換用バッテリーとしては、同一品またはAxisが推奨するバッテリーのみを使用してください。
- 使用済みバッテリーは、地域の規制またはバッテリーメーカーの指示に従って廃棄してください。

インストールガイド

このインストールガイドでは、AXIS Q1615ネットワークカメラをお使いのネットワークにインストールする手順について説明します。本製品の使用の詳細については、Axisのホームページ (www.axis.com) でユーザーズマニュアルを参照してください。

設置手順

1. パッケージ内容、ツール、設置に必要なその他の部品がそろっているかを確認します。107ページを参照してください。
2. 「ハードウェアの概要」をよく読んでください。108ページを参照してください。
3. 「仕様」をよく読んでください。113ページを参照してください。
4. ハードウェアを設置します。116ページを参照してください。
5. 製品にアクセスします。117ページを参照してください。
6. フォーカスを設定します。117ページを参照してください。

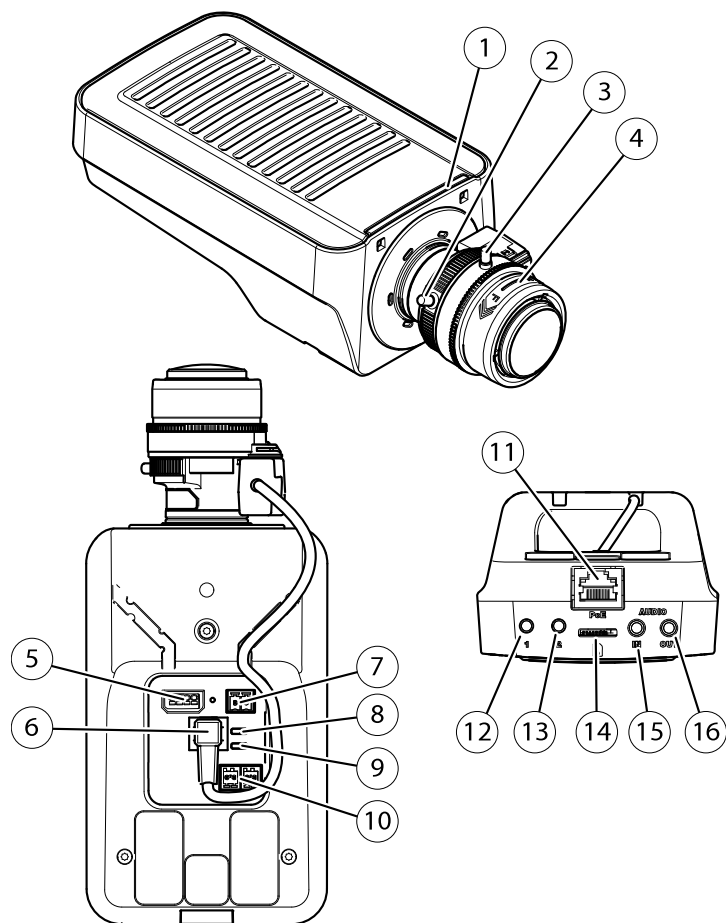
パッケージの内容

- AXIS Q1615ネットワークカメラ
- 2ピン電源入力用コネクタブロック
- 4ピン外部デバイス接続用I/Oコネクタブロック
- 2ピンRS485/422コネクタブロック×2
- カメラスタンド
- トルクスT20ドライバー
- インストール・管理ソフトウェアCD
- 印刷物
 - インストールガイド (本書)
 - 予備のシリアル番号ラベル×2
 - AVHS認証キー

オプションのアクセサリー

電源アクセサリー、屋外用ハウジングなど、使用可能なアクセサリーについての情報は、www.axis.comをご覧ください。

ハードウェアの概要



1. ステータスLEDインジケータ
2. ズーム調整レバー
3. フォーカスリング固定ネジ
4. フォーカスリング
5. I/Oコネクタ
6. アイリスコネクタ
7. 電源コネクタ
8. 電源LEDインジケータ
9. ネットワークLEDインジケータ

10. RS485/RS422コネクタ
11. ネットワークコネクタ (PoE)
12. コントロールボタン (1)
13. 機能ボタン (2)
14. microSDカードスロット
15. 音声入力
16. 音声出力

LEDインジケータ

LED	色	説明
ネットワーク	緑	100Mbit/sネットワークに接続している場合、点灯します。ネットワークパケットを送受信した場合、点滅します。
	黄	10Mbit/sネットワークに接続している場合、点灯します。ネットワークパケットを送受信した場合、点滅します。
	無点灯	ネットワークに接続されていません。
ステータス	緑	通常動作の場合、点灯します。
	黄	起動時、設定の復元時に点灯します。
	赤	アップグレードに失敗すると、ゆっくりと点滅します。
電源	緑	正常動作
	黄	ファームウェアのアップグレード中、緑/黄に交互に点滅します。

注意

- ステータスLEDは、正常動作時に消灯させることができます。設定は、**[Setup - System Options - Ports & Devices - LED] (設定 - システムオプション - ポートとデバイス - LED)** で行います。詳細については、オンラインヘルプを参照してください。
- ステータスLEDは、イベントの発生時に点滅させることができます。
- ステータスLEDを点滅させ、本製品を識別できるように設定することができます。設定は、**[Setup - System Options - Maintenance] (設定 - システムオプション - 保守)** で行います。
- 電源LEDは、正常動作時に消灯させることができます。設定は、**[Setup - System Options - Ports & Devices - LED] (設定 - システムオプション - ポートとデバイス - LED)** で行います。詳細については、オンラインヘルプを参照してください。
- ネットワークLEDは、ネットワークトラフィックがあるときに点滅しないように無効にすることができます。設定は、**[Setup - System Options - Ports & Devices - LED] (設定 - システムオプション - ポートとデバイス - LED)** で行います。詳細については、オンラインヘルプを参照してください。

フォーカスアシスタントのステータスLED

色	意味
緑	フォーカスアシスタントが有効 レンズは最適に調節されています。
黄	カメラが動いたか、レンズの前に物体が入り込みました。フォーカスアシスタントを終了して、再度開始してください。 レンズの調節は最適ではありません。
赤	カメラが動いたか、レンズの前に物体が入り込みました。フォーカスアシスタントを終了して、再度開始してください。 レンズの調節が不適切な状態です。

フォーカスアシスタントに関するブザー信号

ブザー	レンズ
速い間隔	最適な調節
中程度の間隔	調節は最適ではない
遅い間隔	調節は不適切

水平化アシスタントのステータスLEDとブザー信号

カメラの水平化に使用する機能ボタンの詳細については、コネクターとボタンを参照してください。

色	ブザー	カメラの位置
緑: 点灯	連続音	水平
緑: 点滅	短い間隔	ほぼ水平
橙: 点滅	中程度の間隔	水平ではない
赤: 点滅	長い間隔	かなり傾いている

コネクターとボタン

仕様と動作条件については、113ページを参照してください。

ネットワークコネクター

RJ45イーサネットコネクター。PoE (Power over Ethernet) をサポート。

注記

本製品を使用する場所の地域条例、環境、電気的条件によっては、シールドネットワークケーブル (STP) の使用が推奨または必要になります。野外または電氣的に厳しい環境にネットワークケーブルを配線する場合は、個別の用途に合ったシールドネットワークケーブル (STP) を使用してください。ネットワークスイッチは適切に接地してください。法的な要求事項については、*Electromagnetic Compatibility (EMC) on page 2*を参照してください。

I/Oコネクタ

外部装置を接続し、カメラに対するいたずらの警報、動体検知、イベントトリガー、タイムラプス撮影、アラーム通知などを使用することができます。I/Oコネクタは、0V DC基準点と電力 (DC出力) に加えて、以下のインターフェースを提供します。

- **デジタル出力** – リレーやLEDなどの外部デバイスを接続します。接続されたデバイスは、VAPIX®アプリケーションプログラミングインターフェース (API)、[Live View] (ライブビュー) ページの出力ボタン、アクションルールを使用してアクティブにすることができます。アラームデバイスがアクティブな場合、出力がアクティブと表示されます ([System Options] (システムオプション) - [Port & Devices] (ポートとデバイス) で表示)。
- **デジタル入力** – 回路の開閉の切り替えが可能なデバイス (PIR、ドアや窓のコンタクト、ガラス破損検知器など) を接続するためのアラーム入力です。信号を受け取ると状態が変化し、入力がアクティブになります ([System

AXIS Q1615 Network Camera

Options] (システムオプション) - [Port & Devices] (ポートとデバイス) で表示)。

電源コネクタ

電源入力用2ピンターミナルブロック。定格出力が100 W以下または5 A以下の安全特別低電圧 (SELV) に準拠した有限電源 (LPS) を使用してください。

音声コネクタ

本製品は、以下の音声コネクタを搭載しています。

- **音声入力 (ピンク)** - モノラルマイクロフォンまたはライン入力モノラル信号用 (左チャンネルはステレオ信号で使用) 3.5 mm入力。
- **音声出力 (緑)** - 3.5 mmの音声 (ラインレベル) 用出力 (パブリックアドレス (PA) システムまたはアンプ内蔵アクティブスピーカーに接続可能)。音声出力には、ステレオコネクタを使用する必要があります。

RS485/RS422 コネクタ

PTZデバイスなど補助装置の制御に使用する、RS485/RS422シリアルインターフェース用のターミナルブロック (×2)

SDカードスロット

microSDカード (付属していません) を使用すると、カメラのローカルで録画が行えます。。詳細については、113ページの、仕様を参照してください。

注記

録画データが破損しないように、SDカードはマウント解除してから取り外す必要があります。マウントを解除するには、[Setup - System Options - Storage - SD Card] (設定 - システムオプション - ストレージ - SDカード) の順に選択し、[Unmount] (マウント解除) をクリックします。

コントロールボタン

コントロールボタンは、以下の用途で使用します。

- 製品を工場出荷時の設定にリセットする。120ページを参照してください。
- AXIS Video Hosting SystemサービスまたはAXIS Internet Dynamic DNSサービスに接続する。これらのサービスの詳細については、ユーザーズマニュアルを参照してください。

機能ボタン

機能ボタンは、以下の機能を備えています。

- **水平化アシスタント** – カメラを水平にするのに役立つ機能です。ボタンを約3秒押し続けると水平化アシスタントが始動し、もう一度押すと停止します。ステータスLED (111ページ参照) とブザー信号 (110ページ参照) を使用して、カメラの水平化を行います。カメラが水平になると、ブザーが連続音になります。
- **フォーカスアシスタント** – この機能はフォーカスアシスタントを有効にするために使用します。フォーカスアシスタントを有効にするには、ボタンを押してすぐに離します。もう一度押すと、フォーカスアシスタントが停止します。詳細については、118ページを参照してください。

仕様

動作条件

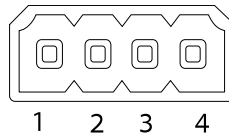
本製品は屋内用モデルです。

製品	温度	湿度
AXIS Q1615	0 ~ 55 ° C	10 ~ 85% RH (結露不可)

I/Oコネクター

4ピンターミナルブロック

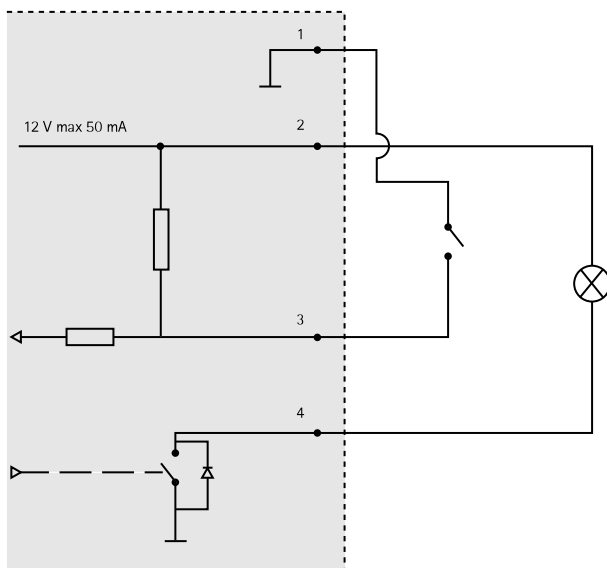
- 補助電源 (DC出力)
- デジタル入力
- デジタル出力
- 0 V DC (-)



機能	ピン	備考	仕様
0 V DC (-)	1		
DC出力	2	補助装置の電源供給に使用できます。 備考: このピンは、電源出力としてのみ使用できます。	12 V DC 最大負荷 = 50 mA

AXIS Q1615 Network Camera

入力または出力として設定	3-4	デジタル入力 - 動作させるにはピン1に接続し、動作させない場合はフロート状態(未接続)のままにします。	0~30 V DC (最大)
		デジタル出力 - 動作させるにはピン1に接続し、動作させない場合はフロート状態(未接続)にします。リレーなどの誘導負荷とともに使用する場合は、過渡電圧から保護するため、ダイオードを負荷と並列に接続する必要があります。	0~30 V DC (最大)、 オープンドレイン、 100 mA

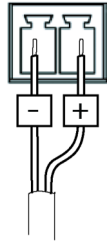


- 3. I/O (入力として設定)
- 4. I/O (出力として設定)

電源コネクタ

電源入力用2ピンターミナルブロック。定格出力が100 W以下または5 A以下の安全特別低電圧 (SELV) に準拠した有限電源 (LPS) を使用してください。

DC電源入力



音声コネクタ

3.5 mm 音声コネクタ (ステレオ)

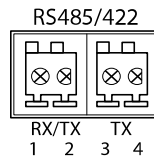


	音声入力	音声出力
1 先端部	マイクروفオン/ライン入力	ライン出力 (モノラル)
2 リング		
3 スリーブ	グラウンド	グラウンド

RS485/422 コネクタ

RS485/RS422シリアルインターフェース用2ピンターミナルブロック×2。シリアルポートの設定により、次のモードをサポート可能。

- 2ワイヤーRS485半二重
- 4ワイヤーRS485全二重
- 2ワイヤーRS422単方向
- 4ワイヤーRS422全二重ポイントツーポイント通信



AXIS Q1615 Network Camera

機能	ピン	備考
RS485BまたはRS485/422 RX(B)	1	すべてのモードのRXペア (2ワイヤーRS485のRX/TXペア)
RS485A5BまたはRS485/422 RX(A)	2	
RS485/RS422 TX(B)	3	RS422および4ワイヤーRS485のTXペア
RS485/RS422 TX(A)	4	

重要

ケーブルの推奨最大長は30 mです。

SDカードスロット

最大64 GBのmicroSDカードに対応します。最高の録画パフォーマンスを得るには、microSDHC UHS-IまたはmicroSDXC UHS-Iカードを使用してください。設置環境の気温が-25°Cを下回る場合は、産業用途のSDカードを使用してください。

ハードウェアの設置

注記

本製品を使用する場所の地域条例、環境、電気的条件下によっては、シールドネットワークケーブル (STP) の使用が推奨または必要になります。野外または電氣的に厳しい環境にネットワークケーブルを配線する場合は、個別の用途に合ったシールドネットワークケーブル (STP) を使用してください。

1. 必要に応じて、警報装置などの外部入力/出力装置を接続します。ターミナルコネクタのピンの詳細については、113ページの、を参照してください。
2. 必要に応じて、アクティブスピーカー、外部マイクを接続します。
3. シールドネットワークケーブルを使用して、カメラをネットワークに接続します。
4. 以下のどちらかの方法で、電源を接続します。
 - PoE (Power over Ethernet)。PoEは、ネットワークケーブルを接続すると自動的に検出されます。
 - 外部電源アダプターを電源コネクタブロックに接続します。111ページの、コネクタとボタンを参照してください。

5. LEDインジケーターが正常な状態を示すことを確認します。詳細については、109ページの表を参照してください。ステータスLEDは、正常動作時に点灯しないように設定することもできます。
6. 必要に応じて、microSDカード (非付属品) をSDカードスロットに挿入します。

注記

SDカードは、取り外す前に、録画データが破損しないようにアンマウントする必要があります。SDカードをアンマウントするには、[Setup] (設定) - [System Options] (システムオプション) - [Storage] (ストレージ) - [SD Card] (SDカード) を選択し、[Unmount] (アンマウント) をクリックします。

製品へのアクセス

IPアドレスの割り当て、パスワードの設定、ビデオストリームへのアクセスを行うには、インストール・管理ソフトウェアCDに収録されているツールを使用します。この情報は、Axisのサポートページ (www.axis.com/techsup) にも掲載されています。

フォーカスの調節

ズームとフォーカスを調整するには、以下の手順にしたがいます。

注意

- フォーカスリングかフォーカスアシスタントを使用して、フォーカスをできるだけ正確に設定してから、自動微調整を開始します。通常は、フォーカスリングを使用して、最適な結果を得ることができます。
- フォーカスを合わせているときは、常に絞りを最大に開いておく必要があります。これにより被写界深度が最小となり、フォーカス補正に最適な条件になります。

1. 製品のホームページを開き、[Setup - Basic Setup - Focus] (設定 - 基本設定 - フォーカス) を選択します。
2. [Basic] (ベーシック) タブで、[Open iris] (開く) をクリックします。絞りがすでに開いている場合、このボタンは使用できない状態になっています。
3. 以前にフォーカスを設定している場合は、[Reset] (元に戻す) をクリックしてバックフォーカスのリセットを行います。
4. レンズのズーム調整レバーとフォーカスリングの固定ネジ (108ページの、ハードウェアの概要を参照) を、反時計回りに回してゆるめます。ズーム調整レバーとフォーカスリングを動かしてズームとフォーカスを調整し、映像ウィンドウで画質を確認します。映像を見ながらズーム調整レバーとフォーカスリングを同時に動かせるようにカメラが設置されていない場合は、フォーカスアシスタントを使用します。118ページの、フォーカスアシスタントを参照してください。

5. ズーム調整レバーとフォーカスリングの固定ネジを締め直します。
6. [Focus] (フォーカス) ページで、**[Fine-tune focus automatically]** (オートフォーカス微調整) をクリックして、自動微調整の完了を待ちます。
7. **[Enable iris] (絞り有効)** をクリックします。絞りがすでに有効な場合、このボタンは使用できない状態になっています。
8. 必要に応じて、**[Advanced] (高度な設定)** タブでさらに調整を行います。詳細については、[オンラインヘルプ](#)を参照してください。

フォーカスアシスタント

注意

- フォーカスの調整中(手順5、6)はカメラ前の被写体に変化しないようにしてください。カメラが動いたり、レンズの前に指やその他の物体が入り込んだ場合は、手順3~7を繰り返す必要があります。
- カメラの前の被写体の動きを止めることができない場合は、フォーカスアシスタントを使用しないでください。
- 機能ボタンに手が届かない場所にカメラを設置する場合でも、フォーカスアシスタントを使用できます。手順4までは上記の手順にしたがい、機能ボタンを押してからカメラを設置し、手順7はスキップします。

フォーカスアシスタントを使用してネットワークカメラのフォーカスを合わせる場合は、117ページの手順1~3の指示にしたがい、その後、以下の手順を開始してください。108ページの、[ハードウェアの概要](#)を参照してください。

1. カメラが動かないようにしっかりと固定します。
2. ズーム調整レバーを反時計回りに回してゆるめます。レバーを動かしてズーム倍率を設定します。ズーム調節レバーを締め直します。
3. フォーカスリングの固定ネジをゆるめてフォーカスリングを反時計方向にいっぱいまで回し、最も離れた位置にフォーカスを合わせます。
4. 機能ボタンを押して、すぐに離します。ステータスLEDが緑色に点滅して、フォーカスアシスタントが有効になります。
レンズの調整が可能になる前にステータスLEDが赤または黄色に点滅する場合は、手順7にしたがってフォーカスアシスタントを終了してから手順3~7を繰り返してください(上記の注を参照)。110ページの、[フォーカスアシスタントのステータスLED](#)を参照してください。
5. フォーカスリングを時計方向にいっぱいまでゆっくりと回します。
6. ステータスインジケータが緑または黄色(赤以外)に点滅するまでフォーカスリングを反時計方向にゆっくりと回します。
7. 機能ボタンをもう一度押し、フォーカスアシスタントを終了します。フォーカスアシスタントは15分後に自動的にオフになります。
8. フォーカスリングの固定ネジを締め直します。

9. Webブラウザで **[Live View] (ライブビュー)** ページを開き、映像の画質を確認します。
10. **[Focus] (フォーカス)** ページで、**[Fine-tune focus automatically] (オートフォーカス微調整)** をクリックして、自動微調整の完了を待ちます。
11. **[Enable iris] (絞り有効)** をクリックします。絞りがすでに有効な場合、このボタンは使用できない状態になっています。
12. 必要に応じて、**[Advanced] (高度な設定)** タブでさらに調整を行います。詳細については、オンラインヘルプを参照してください。

レンズの交換

本製品ではオプションのレンズの使用が可能です。

レンズを交換する手順は以下のとおりです。

1. アイリスケーブルを外します。
2. 標準のレンズのネジを外します。
3. 新しいレンズを取り付けます。

絞り設定を変更する手順は以下のとおりです。

1. **[Setup - Video and Audio - Camera Settings] (設定 - ビデオと音声 - カメラの設定)** を選択します。**[Iris configuration] (絞り設定)** に、現在設定されている絞りのタイプが表示されています。
2. **[Edit] (編集)** をクリックします。
3. 取り付けられている絞りレンズをドロップダウンリストから選択し、**[OK]** をクリックします。

ドロップダウンリストに表示されないPアイリスレンズの絞り設定を変更する手順は以下のとおりです。

1. www.axis.com から絞り設定ファイルをダウンロードします。
2. **[Setup - Video and Audio - Camera Settings] (設定 - ビデオと音声 - カメラの設定)** を選択します。**[Iris configuration] (絞り設定)** に、現在設定されている絞りのタイプが表示されています。
3. **絞り設定: [Edit] (編集)** をクリックします。
4. **[Upload] (アップロード)** タブに移動します。
5. **[Browse] (参照)** をクリックして、設定ファイルを選択します。
6. **[Upload] (アップロード)** をクリックします。**[Iris Selection] (絞りの選択)** ドロップダウンリストに、取り付けられているアイリスレンズが表示されます。
7. 取り付けられているアイリスレンズをドロップダウンリストから選択し、**[OK]** をクリックします。

注意

- Pアイリスレンズに対してDCアイリス設定ファイルを選択すると、**[Camera Settings] (カメラの設定)** ページの絞り設定タイプに、エラーメッセージが表示されます。DCアイリスレンズの場合は、**[Generic DC Iris] (汎用DCアイリス)** オプションを選択してください。
- レンズの交換後にカメラを再起動する必要はありません。ただし、PアイリスとDCアイリス、または固定絞りレンズと手動絞りレンズを入れ替えたときは、再起動が必要になります。フォーカスの設定とレンズの位置合わせを行うには、製品をネットワークに接続する必要があります。

工場出荷時の設定にリセットする

重要

工場出荷時の設定へのリセットは慎重に行ってください。工場出荷時の設定へのリセットを行うと、IPアドレスを含むすべての設定が工場出荷時の値にリセットされます。

注意

インストール・管理ソフトウェアツールは、製品に付属のCDと、www.axis.com/techsupのサポートページから入手できます。

本製品を工場出荷時の設定にリセットするには、以下の手順を実行します。

1. 本製品の電源を切ります。
2. コントロールボタンを押しながら、電源を再投入します。108ページの、*ハードウェアの概要* コントロールボタンの場所は、2ページを参照してください。
3. ステータスインジケータLEDが黄色に点滅するまで、コントロールボタンを押し続けます (約15～30秒間)。
4. コントロールボタンを離します。プロセスが完了すると、ステータスインジケータLEDが緑色に変わります。これで本製品は工場出荷時の設定にリセットされました。ネットワーク上に利用可能なDHCPサーバーがない場合、デフォルトのIPアドレスは192.168.0.90になります。
5. インストール・管理ソフトウェアツールを使用して、IPアドレスの割り当て、パスワードの設定、ビデオストリームのアクセスを行います。
6. 本製品のフォーカスを調節します。

Webインターフェースを使用して、各種パラメーターを工場出荷時の設定に戻すことも可能です。**[Setup - System Options - [Maintenance] (設定 - システムオプション - 保守)** を選択します。

関連情報

ユーザーマニュアルは www.axis.com からご利用いただけます。

ご利用のネットワーク製品のファームウェアアップデートについては www.axis.com/techsup/ でご確認ください。現在インストールされているファームウェアのバージョンを確認するには、**[Setup - About] (設定 - バージョン情報)** を参照してください。

Axisラーニングセンター (www.axis.com/academy) にアクセスしてください。役に立つトレーニング、Webセミナー、チュートリアル、ガイドをご用意しています。

保証

Axisの製品保証と関連情報については、www.axis.com/warranty をご覧ください。

