

INSTALLATION GUIDE

AXIS P5512 PTZ Dome Network Camera

ENGLISH

FRANÇAIS

DEUTSCH

ITALIANO

ESPAÑOL

Legal Considerations

Video and audio surveillance can be prohibited by laws that vary from country to country. Check the laws in your local region before using this product for surveillance purposes. This product includes one (1) H.264 decoder license. To purchase further licenses, contact your reseller.

Trademark Acknowledgments

Apple, Boa, Bonjour, Ethernet, Internet Explorer, Linux, Microsoft, Mozilla, Real, SMPTE, QuickTime, UNIX, Windows, Windows Vista and WWW are registered trademarks of the respective holders. Java and all Java-based trademarks and logos are trademarks or registered trademarks of Oracle and/or its affiliates. UPnP™ is a certification mark of the UPnP™ Implementers Corporation.

Electromagnetic Compatibility (EMC)


This equipment has been designed and tested to fulfill applicable standards for:

- Radio frequency emission when installed according to the instructions and used in its intended environment.
- Immunity to electrical and electromagnetic phenomena when installed according to the instructions and used in its intended environment.

USA – Depending on the characteristics of the electrical environment, using shielded cables (STP) may be appropriate, in which case the following is applicable: This equipment has been tested using shielded cables (STP) and found to comply with the limits for a Class B digital device, pursuant to part 15 of the FCC Rules. These limits are designed to provide reasonable protection against harmful interference in a residential installation. This equipment generates, uses and can radiate radio frequency energy and, if not installed and used in accordance with the instructions, may cause harmful interference to radio communications. However, there is no guarantee that interference will not occur in a particular installation. If this equipment does cause harmful interference to radio or television reception, which can be determined by turning the equipment off and on, the user is encouraged to try to correct the interference by one or more of the following measures:

- Reorient or relocate the receiving antenna.
- Increase the separation between the equipment and receiver.
- Connect the equipment into an outlet on a circuit different from that to which the receiver is connected.
- Consult the dealer or an experienced radio/TV technician for help.

Canada – This Class B digital apparatus complies with Canadian ICES-003.

Europe –  This digital equipment fulfills the requirements for RF emission according to the Class B limit of EN 55022. This product fulfills the requirements for immunity according to EN 61000-6-1 residential, commercial and light-industry environments. This product fulfills the requirements for immunity according to EN 61000-6-2 industrial environments. This product fulfills the requirements for immunity according to EN 55024 office and commercial environments.

Australia – This digital equipment fulfills the requirements for RF emission according to the Class B limit of AS/NZS CISPR 22.

Korea – 이 기기는 가정용(B급) 전자파적합기로서 주로 가정에서 사용하는 것을 목적으로 하며, 모든 지역에서 사용할 수 있습니다.

Japan – この装置は、クラスB 情報技術装置です。

この装置は、家庭環境で使用することを目的としていますが、この装置がラジオやテレビジョン受信機に近接して使用されると、受信障害を引き起こすことがあります。取扱説明書に従って正しい取り扱いをして下さい。

Safety

This product complies to EN/IEC 60950-1, Safety of Information Technology Equipment. The power supply used with this product shall fulfill the requirements for Safety Extra Low Voltage and Limited Power Source according to EN/IEC/UL 60950-1.

Equipment Modifications

This equipment must be installed and used in strict accordance with the instructions given in the user documentation. This equipment contains no user-serviceable components. Unauthorized equipment changes or modifications will invalidate all applicable regulatory certifications and approvals.

Liability

Every care has been taken in the preparation of this document. Please inform your local Axis office of any inaccuracies or omissions. Axis Communications AB cannot be held responsible for any technical or typographical errors and reserves the right to make changes to the product and documentation without prior notice. Axis Communications AB makes no warranty of any kind with regard to the material contained within this document, including, but not limited to, the implied warranties of merchantability and fitness for a particular purpose. Axis Communications AB shall not be liable nor responsible for incidental or consequential damages in connection with the furnishing, performance or use of this material. This product is only to be used for its intended purpose.

RoHS

This product complies with both the European RoHS directive, 2002/95/EC, and the Chinese RoHS regulations, ACEIP.



WEEE Directive

The European Union has enacted a Directive 2002/96/EC on Waste Electrical and Electronic Equipment (WEEE Directive). This directive is applicable in the European Union member states. The WEEE marking on this product (see right) or its documentation indicates that the product must not be disposed of together with household waste. To prevent possible harm to human health and/or the environment, the product must be disposed of in an approved and environmentally safe recycling process. For further information on how to dispose of this product correctly, contact the product supplier, or the local authority responsible for waste disposal in your area. Business users should contact the product supplier for information on how to dispose of this product correctly. This product should not be mixed with other commercial waste.



Support

Should you require any technical assistance, please contact your Axis reseller. If your questions cannot be answered immediately, your reseller will forward your queries through the appropriate channels to ensure a rapid response. If you are connected to the Internet, you can:

- download user documentation and firmware updates
- find answers to resolved problems in the FAQ database. Search by product, category, or phrases
- report problems to Axis support by logging in to your private support area.

Safeguards

Please read through this Installation Guide carefully before installing the product. Keep the Installation Guide for further reference.

CAUTION!

- When transporting the Axis product, use the original packaging or equivalent to prevent damage to the product.
- Avoid exposing the Axis product to vibration, shocks or heavy pressure and do not install the camera on unstable brackets, unstable or vibrating surfaces or walls, since this could cause damage to the product.
- Only use handtools when installing the Axis product, the use of electrical tools or excessive force could cause damage to the product.
- Do not use chemicals, caustic agents, or aerosol cleaners. Use a damp cloth for cleaning.
- Only use accessories and spare parts provided or recommended by Axis.
- Do not attempt to repair the product by yourself, contact Axis or your Axis reseller for service matters.

IMPORTANT!

- This Axis product must be used in compliance with local laws and regulations.

Battery replacement

This Axis product uses a 3.0V CR2032 Lithium battery as the power supply for its internal real-time clock (RTC). Under normal conditions this battery will last for a minimum of 5 years. Low battery power affects the operation of the RTC, causing it to reset at every power-up. A log message will appear when the battery needs replacing. The battery should not be replaced unless required!

If the battery does need replacing, please contact www.axis.com/techsup for assistance.

- Danger of Explosion if battery is incorrectly replaced.
- Replace only with the same or equivalent battery, as recommended by the manufacturer.
- Dispose of used batteries according to the manufacturer's instructions.

Cleaning of dome cover

- Be careful not to scratch or damage the dome cover. Do not clean a dome cover that looks clean to the eye and never polish the surface. Excessive cleaning can damage the surface.
- For general cleaning of a dome cover it is recommended to use a non-abrasive, solvent-free neutral soap or detergent with water and a soft cloth. Rinse well with clean lukewarm water. Dry with a soft cloth to prevent water spotting.
- Never use harsh detergents, gasoline, benzene or acetone etc. and avoid cleaning in direct sunlight or at elevated temperatures.

AXIS P5512 Installation Guide

This installation guide provides instructions for installing an AXIS P5512 PTZ Dome Network Camera on your network. For all other aspects of using the product, please see the User's Manual, available on the CD included in this package, or from www.axis.com

Installation Steps

1. Check the package contents against the list below.
2. Hardware overview. See page 6.
3. Install the hardware.
 - Prepare for installation, see page 8.
 - Hard ceiling mount, see page 9.
 - Drop ceiling mount, see page 10.
 - Bracket mount (optional accessory), see page 12.
4. Assign an IP address. See page 13.
5. Set the password. See page 16.

Important!

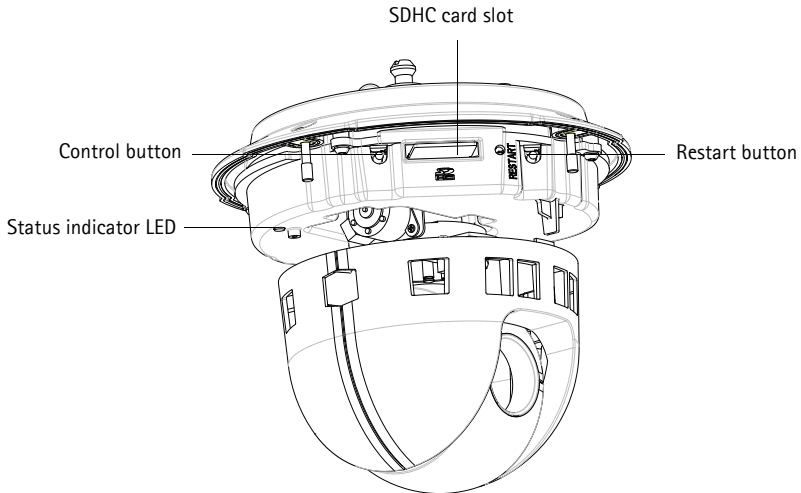
This product must be used in compliance with local laws and regulations.

1 Package Contents

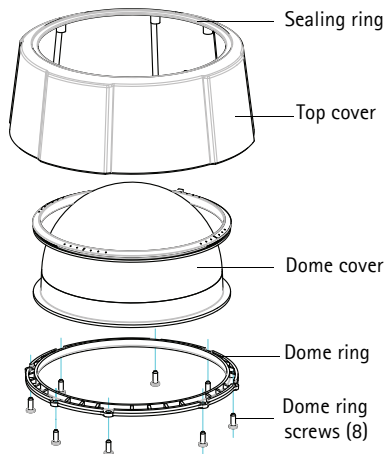
Item	Models/variants/notes
Network camera	AXIS P5512
Dome covers	Clear transparent cover (pre-mounted) Smoked transparent cover
Mounting kit	Mounting kit for hard ceilings and drop ceilings Resitorx screw driver
CD	AXIS Network Video Product CD, including product documentation, installation tools and other software.
Printed materials	AXIS P5512 Network Camera Installation Guide (this document), Axis Warranty Document, Drill template, Extra serial number labels (2x), AVHS Authentication key
Optional accessories	AXIS T91A Mounting Accessories Multi-connector cable for connecting I/O, audio, and power See www.axis.com for information on power accessories and outdoor housings

2 Hardware Overview

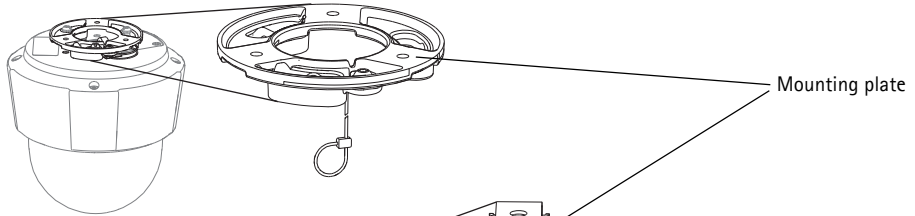
Camera unit



Dome cover

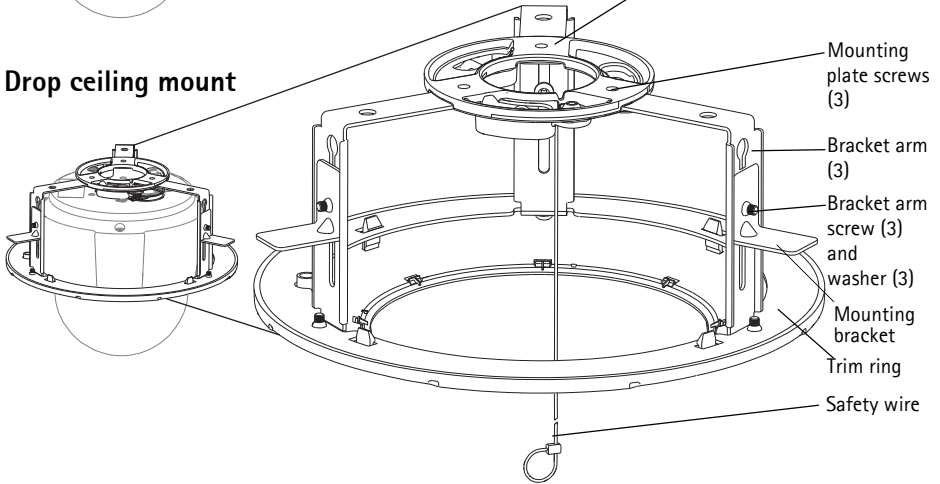


Hard ceiling mount



Mounting plate

Drop ceiling mount



Mounting plate screws (3)

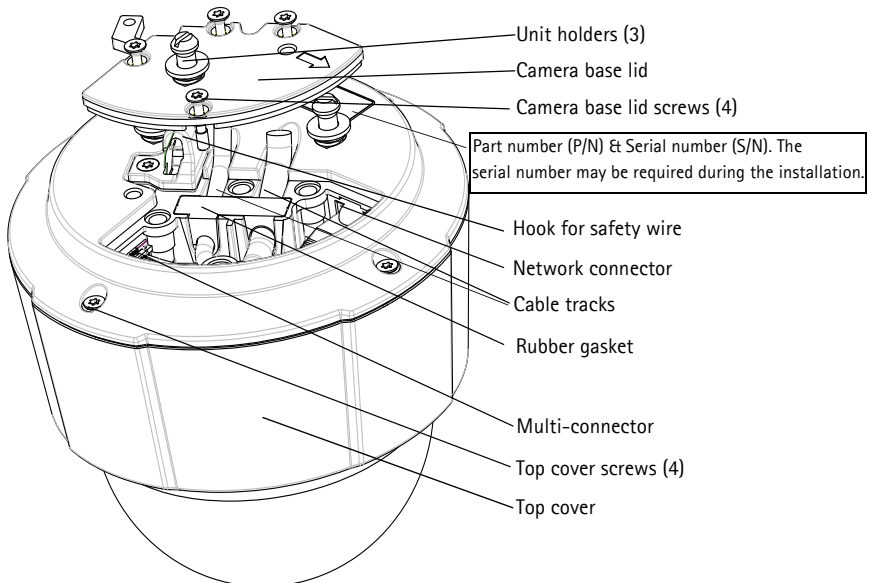
Bracket arm (3)

Bracket arm screw (3) and washer (3)

Mounting bracket

Trim ring

Safety wire



Part number (P/N) & Serial number (S/N). The serial number may be required during the installation.

Unit holders (3)

Camera base lid

Camera base lid screws (4)

Hook for safety wire

Network connector

Cable tracks

Rubber gasket

Multi-connector

Top cover screws (4)

Top cover

3 Install the hardware

- ! **IMPORTANT!** - To use AXIS P5512 outdoors, it must be installed in an approved outdoor housing. Please see www.axis.com for more information on outdoor housing.

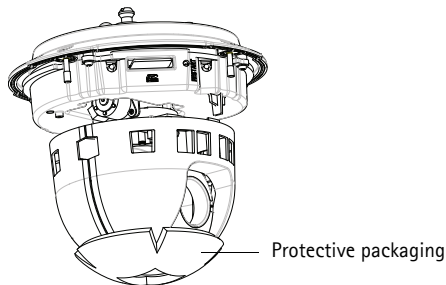
Prepare for installation

Read all the instructions before preparing to install AXIS P5512 since several of the steps require removing the top cover and would benefit from being completed together.

- Remove the protective packing before installing the camera (see instructions below).
- To replace the dome cover see *Replace the clear/smoked dome cover (optional)*, on page 9.
- To remove the top cover and install an SD card see *Install an SD card (optional)*, on page 9.

Remove the protective packaging

1. Loosen the 4 top cover screws and remove the top cover. See illustration on page 7.
2. Remove the protective packaging.



3. To replace the clear/smoked dome cover or install an SD card, refer to the instructions on page 9.
4. Put the top cover back in its original position and fasten two diagonally opposite screws first (torque <math>< 0.7 \text{ Nm}</math>), and then the two other screws.

Replace the clear/smoked dome cover (optional)

1. Loosen the 4 top cover screws and remove the top cover; see illustration on page 7.
2. Remove the 8 dome ring screws and remove the dome ring from the top cover.
3. Attach the dome ring and the dome cover to the top cover and secure by tightening the 8 screws (torque 0.4 - 0.6 Nm).
4. To install an SD card, refer to the instructions *Install an SD card (optional)* below.
5. Put the top cover back in its original position and fasten two diagonally opposite screws first (torque < 0.7 Nm), and then the two other screws.

Note:

Be careful not to scratch or damage the dome cover. Use a soft cloth to wipe clean before attaching the dome cover to the camera unit.

Install an SD card (optional)

1. Loosen the 4 top cover screws and remove the top cover. See illustration on page 7.
2. Insert an SD card (not included) into the SDHC (Secure Digital High Capacity) card slot.
3. Put the top cover back in its original position and fasten the screws.

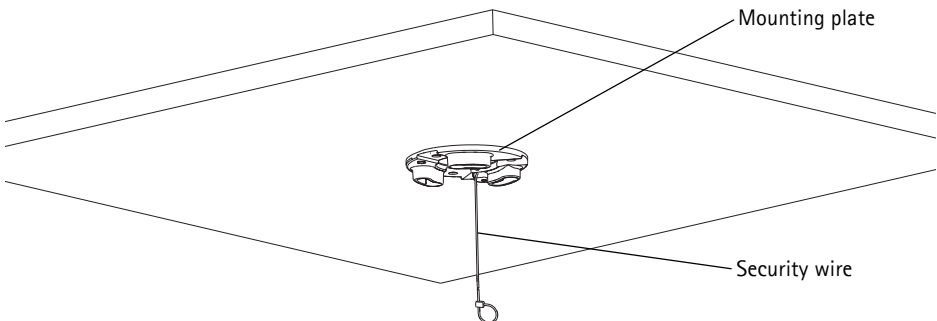
Note:

The SD card is automatically mounted when inserted into the SDHC card slot. However, before removing the SD card it should be unmounted through the camera's web pages. Go to **Setup > System Options > Storage > SD Card** and click **Unmount**. For more information, please see the User's Manual available from the AXIS Network Video Product CD supplied with this product or from the website at www.axis.com

Hard ceiling mount

For installation of mounting plate:

1. Use the supplied drill template to position the holes. Use drill bits, screws, and plugs appropriate for the ceiling material.
2. Install the mounting plate.

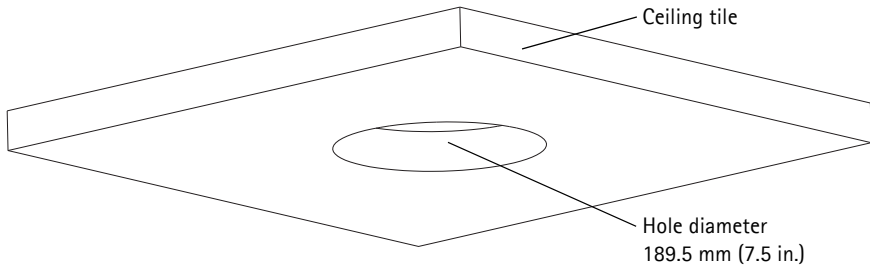


3. Loosen the 4 camera base lid screws and remove the camera base lid. See illustration on page 7.

4. Route and connect the network cable and multi-connector cable, if applicable, to the network camera. Be careful not to damage the cables when connecting them. Make sure the rubber gasket holes are aligned with the cable tracks; if applicable, remove the cut-out piece for the multi-connector cable from the rubber gasket.
5. Put the camera base lid back in its original position and fasten the screws.
6. Secure the camera using the supplied safety wire.
7. Slide the unit holders on the network camera into the slots on the mounting plate and rotate the camera unit.

Drop ceiling mount

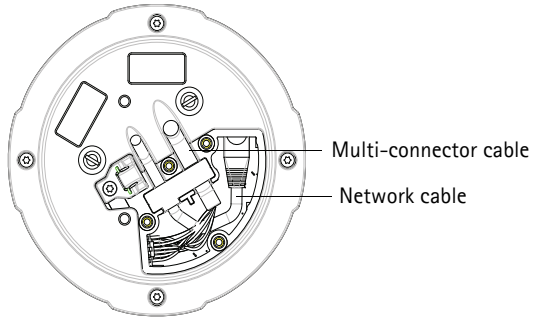
1. Remove the ceiling tile in which the drop ceiling mount is to be fitted.
2. Use the supplied template to mark the position for the 189.5 mm (7.5 in.) hole in the ceiling tile. Cut around the template.



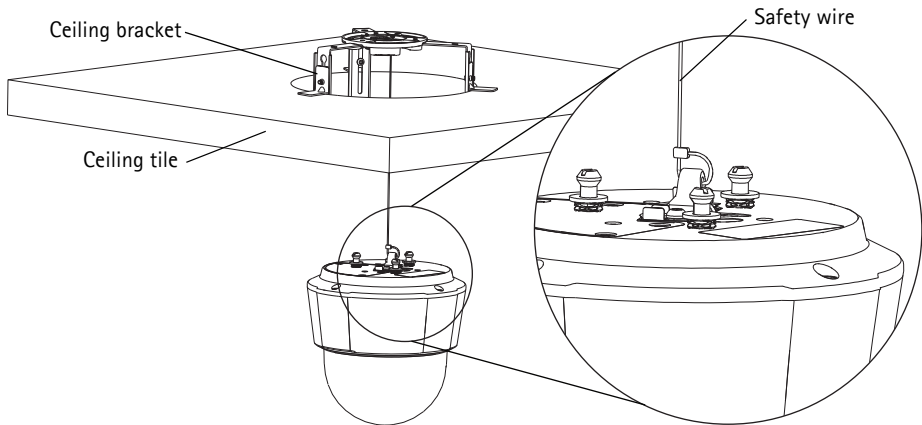
Notes:

- The combined weight of the camera and ceiling mount is approximately 2.3 kg (5.1 lb.). Check that the ceiling material is strong enough to support this weight.
 - The ceiling tile should be 5 mm–60 mm (0.2 in.–2.4 in.) thick.
3. Assemble the ceiling bracket.
 4. Put the ceiling bracket into the ceiling tile. See illustration on page 11.
 5. Tighten the bracket arm screws using a torx 20 screwdriver head.
 6. Loosen the 4 camera base lid screws and remove the camera base lid. See illustration on page 7.

7. Remove the cable gasket and route the network cable. Remove the cable plug from the cable gasket to route the multi-connector cable if there is one. Be careful not to damage the cables when connecting to the network camera.

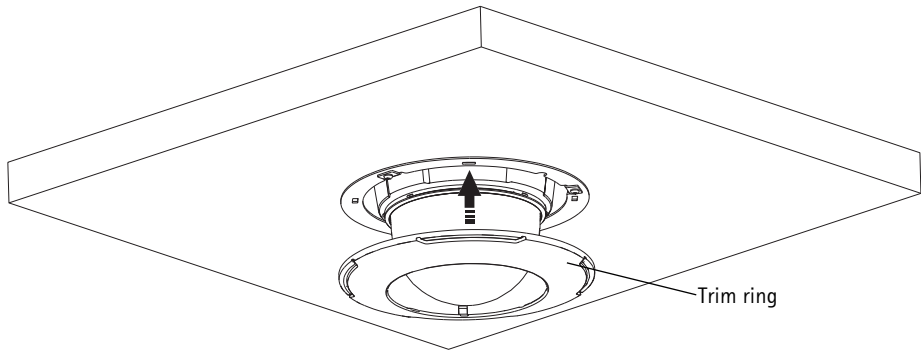


8. Put the camera base lid back in its original position and fasten the screws.
9. Secure the camera using the supplied safety wire.



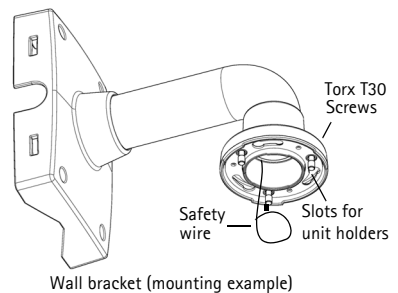
10. Slide the unit holders on the network camera into the slots on the mounting plate and rotate the camera unit.
11. Install the ceiling tile, with the camera mounted, into the ceiling.

- Place the trim ring over the ceiling bracket and snap it into place.



Bracket mount (optional accessory)

- Install the selected bracket according to the instructions supplied with the bracket. If drilling is required, make sure to use drill bits, screws, and plugs appropriate for the material.
- Loosen the 4 camera base lid screws and remove the camera base lid. See illustration on page 7.
- Route the network cable and the multi-connector cable, if applicable, through the holes in the mounting bracket.
- Hook the camera to the safety wire on the bracket.
- Connect the network cable and, if applicable, the multi-connector cable to the network camera.
- Put the camera base lid back in its original position.
- Slide the unit holders on the network camera into the slots on the bracket and rotate the camera unit.
- Secure the network camera to the mounting bracket by fastening the 3 screws (Torx T30).





Wall bracket (mounting example)

4 Assign an IP Address

Most networks today have a DHCP server that automatically assigns IP addresses to connected devices. If your network does not have a DHCP server the network camera will use 192.168.0.90 as the default IP address.

If you would like to assign a static IP address, the recommended method in Windows is either **AXIS IP Utility** or **AXIS Camera Management**. Depending on the number of cameras you wish to install, use the method that best suits your purpose.

Both of these free applications are available on the AXIS Network Video Product CD supplied with this product, or they can be downloaded from www.axis.com

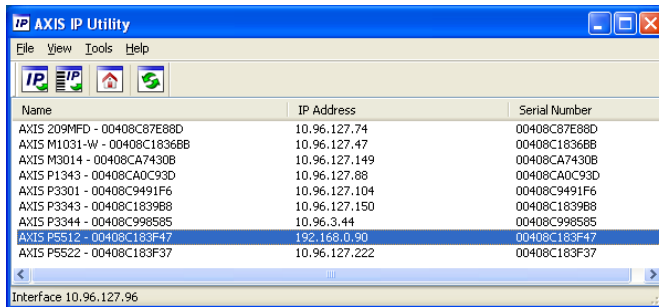
Method	Recommended for	Operating system
 AXIS IP Utility See page 14	Single camera Small installations	Windows
 AXIS Camera Management See page 15	Multiple cameras Large installations Installation on a different subnet	Windows 2000 Windows XP Pro Windows 2003 Server Windows Vista Windows 7

Notes:

- If assigning the IP address fails, check that there is no firewall blocking the operation.
- For other methods of assigning or discovering the IP address, e.g. in other operating systems, see page 18.

AXIS IP Utility – single camera/small installation

AXIS IP Utility automatically discovers and displays Axis devices on your network. The application can also be used to manually assign a static IP address.




Note that the computer running AXIS IP Utility must be on the same network segment (physical subnet) as the network camera.

Automatic discovery

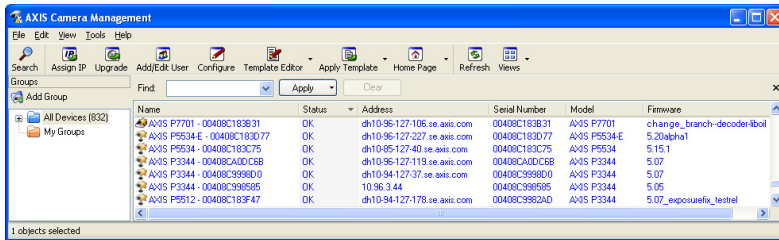
1. Check that the network camera is connected to the network and that power has been applied.
2. Start AXIS IP Utility.
3. When the camera appears in the window, double-click it to open its home page.
4. See page 16 for instructions on how to assign the password.

Assign the IP address manually (optional)

1. Acquire an unused IP address on the same network segment as your computer.
2. Select the network camera in the list.
3. Click the **Assign new IP address to the selected device** button  and enter the IP address.
4. Click **Assign** and follow the on-screen instructions. Note that the camera must be restarted within 2 minutes for the new IP address to be set.
5. Click **Home Page** to access the camera's web pages.
6. See page 16 for instructions on how to set the password.

AXIS Camera Management – multiple cameras/large installations


AXIS Camera Management can automatically discover multiple Axis devices, show connection status, manage firmware upgrades and set IP addresses.



Automatic discovery

1. Check that the camera is connected to the network and that power has been applied.
2. Start AXIS Camera Management. When the network camera appears in the window, right-click the link and select Live View Home Page.
3. See page 16 for instructions on how to set the password.


Assign an IP address in a single device

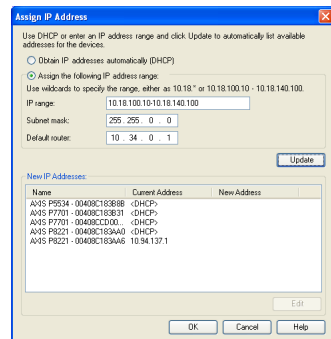
1. Select the network camera in AXIS Camera Management and click the Assign IP button. 
2. Select Assign the following IP address and enter the IP address, subnet mask and default router the device will use.
3. Click OK.



Assign IP addresses in multiple devices

AXIS Camera Management speeds up the process of assigning IP addresses to multiple devices, by suggesting IP addresses from a specified range.

1. Select the devices you wish to configure (different models can be selected) and click the Assign IP button. 
2. Select Assign the following IP address range and enter the range of IP addresses, the subnet mask and default router the devices will use.
3. Click Update. Suggested IP addresses are listed under New IP Addresses and can be edited by selecting a device and clicking Edit.
4. Click OK.



5 Set the Password

To gain access to the product, the password for the default administrator user **root** must be set. This is done in the 'Configure Root Password' dialog, which is displayed when the network camera is accessed for the first time.

To prevent network eavesdropping when setting the root password, this can be done via an encrypted HTTPS connection, which requires an HTTPS certificate.

Note: HTTPS (Hypertext Transfer Protocol over SSL) is a protocol used to encrypt the traffic between web browsers and servers. The HTTPS certificate controls the encrypted exchange of information.

To set the password via a standard HTTP connection, enter it directly in the first dialog shown below.

To set the password via an encrypted HTTPS connection, follow these steps:

1. Click the **Create self-signed certificate** button.
2. Provide the requested information and click **OK**. The certificate is created and the password can now be set securely. All traffic to and from the network camera is encrypted from this point on.
3. Enter a password and then re-enter it to confirm the spelling. Click **OK**. The password has now been configured.

To create an HTTPS connection, start by clicking this button.

To configure the password directly via an unencrypted connection, enter the password here.

Create Certificate
Secure configuration of the root password via HTTPS requires a self-signed certificate.
Create self-signed certificate...

Create Self-Signed Certificate
Common name: 10.96.127.232
Validity: 365 days [1..9999]
*The name of the entity to be certified, i.e. the IP address or host name of this product.
OK Cancel
Once the certificate is created, this page will close and you will be able to configure the root password via HTTPS.

Configure Root Password using HTTPS
User name: root
Password:
Confirm password:
OK
The password for the pre-configured administrator root must be changed before the product can be used.
If the password for root is lost, the product must be reset to the factory default settings, by pressing the button located in the product's casing. Please see the user documentation for more information.

4. To log in, enter the user name "root" in the dialog as requested.
Note: The default administrator user name root cannot be deleted.
5. Enter the password as set above, and click OK.
Note: If the password is lost, the camera must be reset to the factory default settings. See page 23.

Access the video stream

The Live View page of the network camera is displayed, with links to the Setup tools, which allow you to customize the camera.

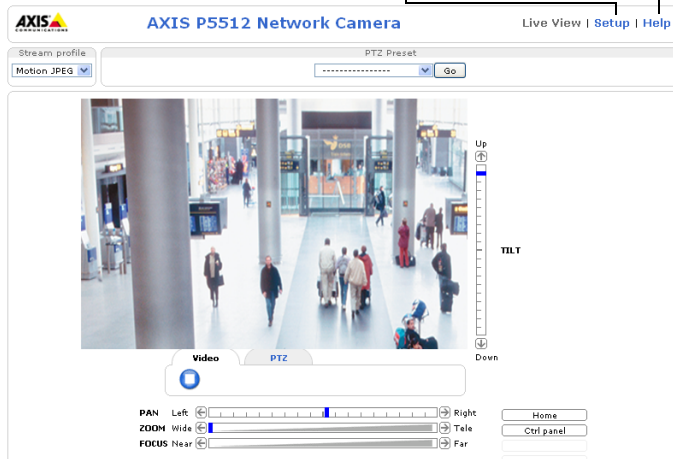
If required, click Yes to install AMC (AXIS Media Control), which allows viewing of the video stream in Internet Explorer. You will need administrator rights on the computer to do this.

If required, click the link to install missing decoders.

Note: To install AMC in Windows 7/Windows Vista, you must run Internet Explorer as an administrator. Right-click the Internet Explorer icon and select Run as administrator.

Setup - Provides all the tools for configuring the camera to requirements.

Help - Displays online help on all aspects of using the camera.



Other Methods of Setting the IP address

The table below shows the other methods available for setting or discovering the IP address. All methods are enabled by default, and all can be disabled.

	Use in operating system	Notes
UPnP™	Windows	When enabled on your computer, the camera is automatically detected and added to "My Network Places."
Bonjour	MAC OSX (10.4 or later)	Applicable to browsers with support for Bonjour. Navigate to the Bonjour bookmark in your browser (e.g. Safari) and click on the link to access the camera's web pages.
AXIS Dynamic DNS Service	All	A free service from Axis that allows you to quickly and simply install your camera. Requires an Internet connection with no HTTP proxy. See www.axiscam.net for more information
ARP/Ping	All	See below. The command must be issued within 2 minutes of connecting power to the camera.
DHCP	All	To view the admin pages for the network DHCP server, see the server's own documentation.

AXIS Video Hosting System (AVHS)

The camera can also be connected to an AVHS service for hosted video. If you have subscribed to an AVHS service, follow the instructions in the Service Provider's Installation Guide. For more information and help to find a local AVHS Service Provider, go to www.axis.com/hosting

The **Camera owner authentication key** is found on the back cover of this document. The key is associated with the camera's unique serial number (S/N) as shown on the top of the label.

Note:

Save the key for future reference.

Set the IP address with ARP/Ping

1. Acquire an IP address on the same network segment your computer is connected to.
2. Locate the serial number (S/N) on the product label on the camera.
3. Open a command prompt on your computer and enter the following commands:

Windows syntax:	Windows example:
arp -s <IP Address> <Serial Number> ping -l 408 -t <IP Address>	arp -s 192.168.0.125 00-40-8c-18-10-00 ping -l 408 -t 192.168.0.125
UNIX/Linux/Mac syntax:	UNIX/Linux/Mac example:
arp -s <IP Address> <Serial Number> temp ping -s 408 <IP Address>	arp -s 192.168.0.125 00:40:8c:18:10:00 temp ping -s 408 192.168.0.125

4. Check that the network cable is connected to the camera and then start/restart the camera, by disconnecting and reconnecting power.
5. Close the command prompt when you see 'Reply from 192.168.0.125: ...' or similar.
6. In your browser, type in http://<IP address> in the Location/Address field and press Enter on your keyboard.

Notes:

- To open a command prompt in Windows: from the Start menu, select Run... and type cmd. Click OK.
- To use the ARP command in Windows 7/ Windows Vista, right-click the command prompt icon and select **Run as administrator**.
- To use the ARP command on a Mac OS X, use the Terminal utility in Application > Utilities.

Unit Connectors

Network connector – RJ-45 Ethernet connector. Supports PoE (Power over Ethernet, IEEE 802.3af Class 3). Shielded cables should be used to comply with EMC.

Multi-connector – See *Multi-connector cable (sold separately)*, on page 21 – Terminal connector for connection of external equipment:

- Audio equipment
- Input/output (I/O) devices
- AC/DC power supply

When connecting external equipment to AXIS P5512, a multi-connector cable is required in order to maintain the IP51 rating. The multi-connector cable can be purchased from your Axis reseller. For more information, please see the User's Manual available from the AXIS Network Video Product CD supplied with this product or from the website at www.axis.com

SDHC card slot – A standard or high capacity SD card (not included) is required to store images locally in the network camera. To insert and remove the SD card, the camera's top cover must be removed, see *Install an SD card (optional)*, on page 9.

Note:

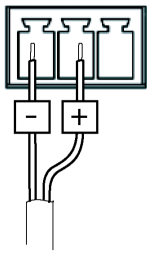
Before removal, the SD card should be unmounted to prevent corruption of recordings. To unmount the SD card, go to **Setup > System Options > Storage > SD Card** and click **Unmount**. For more information, please see the User's Manual available from the AXIS Network Video Product CD supplied with this product or from the website at www.axis.com

Multi-connector cable (sold separately)

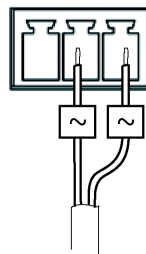
When connecting external equipment to AXIS P5512, a multi-connector cable is required in order to maintain the camera's IP51 rating. The multi-connector cable can be purchased from your Axis reseller.

Connect the multi-connector cable to the camera's multi connector. See illustration on page 7 and instructions on page 9 and page 10. The cable provides the following connectors:

Power connector – 3-pin terminal block used for power input.



DC power input, 24-34 V DC
 AXIS P5512: max 15.7 W

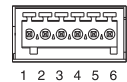


AC power input, 20-24 V AC
 AXIS P5512: max 23.5 VA

Audio in (pink) – 3.5 mm input for a mono microphone, or a line-in mono signal (left channel is used from a stereo signal).

Audio out (green) – 3.5 mm output for audio (line level) that can be connected to a public address (PA) system or an active speaker with a built-in amplifier. A pair of headphones can also be attached. A stereo connector must be used for the audio out.

I/O terminal connector – Used in applications for e.g. motion detection, event triggering, time lapse recording and alarm notifications. In addition to an auxiliary power and a GND pin, the I/O terminal connector has 4 pins that can be configured as either input or output. These pins provide the interface to:



- **Digital output** - For connecting external devices such as relays and LEDs. Connected devices can be activated by the VAPIX® Application Programming Interface, output buttons on the Live View page or by an Event Type. The output will show as active (shown under Events > Port Status) if the alarm device is activated.

- Digital input - An alarm input for connecting devices that can toggle between an open and closed circuit, for example: PIRs, door/window contacts, and glass break detectors. When a signal is received the state changes and the input becomes active (shown under **Events > Port Status**).

Function	Pin	Notes	Specifications
GND	1	Ground	
3.3 V DC Power	2	Can be used to power auxiliary equipment. Note: This pin can <u>only</u> be used as power out.	Max. load = 250 mA
Configurable (input or Output)	3-6	Digital input – Connect to GND to activate, or leave floating (unconnected) to deactivate.	0 to +40 V DC
		Digital output – Internal connection to ground when activated, floating (unconnected) when deactivated. If used with an external relay, a diode must be connected in parallel with the load, for protection against voltage transients.	Max. load = 100 mA Max. voltage = +40 V DC

AXIS P5512 Status indicators

Color	Indication
Unlit	Steady connection/normal operation
Amber	Steady during system initiating and reset to factory default. Flashes during firmware upgrade.
Amber and red	No network connection
Red	Firmware upgrade failure
Green	Steady for 10 sec. after successful restart

Note:

For more information on the AXIS P5512 status indicators, please see the User's Manual available from the AXIS Network Video Product CD supplied with this product or from the website at www.axis.com

Resetting to the Factory Default Settings

To reset the camera to the original factory default settings, use the control button and the restart button on the side of the camera, see *Hardware Overview*, on page 6, as described below:

Using the control and restart buttons will reset all the parameters, including the IP address, to the factory default settings:

1. Remove the top cover, see *Remove the protective packaging*, on page 8.
2. Press and hold the control button and the restart button at the same time.
3. Release the restart button but continue to hold down the control button.
4. Continue to hold down the control button until the status indicator color changes to amber (this may take up to 15 seconds).
5. Release the control button.
6. When the status indicator changes to green (which may take up to 1 minute), the process is complete and the camera has been reset. The unit now has the default IP address 192.168.0.90
7. Put the top cover back in its original position.
8. Re-assign the IP address, using one of the methods described in *Assign an IP Address*, on page 13.

It is also possible to reset parameters to the original factory default settings via the web interface. For more information, please see the online help or the User's Manual available from the AXIS Network Video Product CD supplied with this product.

Accessing the Camera from the Internet

Once installed, your network camera is accessible on your local network (LAN). To access the camera from the Internet, network routers must be configured to allow incoming traffic, which is usually done on a specific port.

- HTTP port (default port 80) for viewing and configuration
- RTSP port (default port 554) for viewing H.264 video streams

Please refer to the documentation for your router for further instructions. For more information on this and other topics, visit the Axis Support Web at www.axis.com/techsup

Further Information

The User's Manual is available from the Axis Web site at www.axis.com or from the AXIS Network Video Product CD supplied with this product.

Tip!

Visit www.axis.com/techsup to check if there is updated firmware available for your network camera. To see the currently installed firmware version, see Setup > About.

Mesures de sécurité

Lisez attentivement ce guide d'installation avant d'installer le produit. Conservez le guide d'installation pour une utilisation ultérieure.

ATTENTION !

- Pour éviter d'endommager le produit Axis, utilisez l'emballage d'origine ou un emballage équivalent pour le transporter.
- Évitez d'exposer le produit Axis à des vibrations, des chocs ou une trop forte pression et ne l'installez pas sur des supports instables, ou encore sur des surfaces ou des murs instables ou vibrants. Cela risque de l'endommager.
- Utilisez uniquement des outillages à main pour l'installation du produit Axis : l'utilisation d'outils électriques ou l'usage excessif de la force risque de l'endommager.
- N'utilisez ni produits chimiques, ni substances caustiques, ni nettoyeurs aérosol. Utilisez un linge humide pour le nettoyage.
- Utilisez uniquement des pièces de rechange fournis ou recommandés par Axis.
- Ne tentez pas de réparer le produit vous-même, contactez Axis ou votre revendeur Axis pour tout problème de maintenance.

IMPORTANT !

- Ce produit Axis doit être utilisé conformément aux lois et réglementations locales en vigueur.

Remplacement des piles

Ce produit Axis nécessite une pile au lithium CR2032 de 3 V pour l'alimentation de son horloge en temps réel interne. Dans des conditions normales d'utilisation, cette pile devrait durer au moins 5 ans. Si la pile est faible, le fonctionnement de l'horloge en temps réel peut être affecté et entraîner sa réinitialisation à chaque mise sous tension. Un message enregistré apparaît lorsque la pile doit être remplacée. Ne remplacez la pile que lorsque cela est nécessaire !

Si la pile doit être remplacée, veuillez contacter www.axis.com/techsup pour obtenir de l'aide.

- Le remplacement incorrect de la pile peut entraîner un risque d'explosion.
- Remplacez la pile par une pile identique ou équivalente uniquement, en respectant les recommandations du fabricant.
- Jetez les piles usagées conformément aux consignes du fabricant.

Nettoyage de la bulle du dôme

- Veillez à ne pas rayer ou endommager la bulle du dôme. Ne nettoyez pas la bulle du dôme si elle semble propre à l'œil nu et ne frottez jamais sa surface. Un nettoyage excessif peut l'endommager.
- Pour le nettoyage général de la bulle du dôme, il est recommandé d'utiliser un savon ou un détergent neutre sans solvant, non abrasif, avec de l'eau et un chiffon doux. Rincez abondamment avec de l'eau douce et tiède. Séchez à l'aide d'un chiffon doux pour éviter les salissures d'eau.
- N'utilisez jamais de détergents forts, d'essence, de benzène ou d'acétone, etc. et évitez toute exposition directe aux rayons du soleil ou à des températures élevées lors du nettoyage.

AXIS P5512 Guide d'installation

Ce guide d'installation explique comment installer la Caméra réseau dôme PTZ AXIS P5512 sur votre réseau. Pour toute autre question concernant l'utilisation du produit, reportez-vous au manuel de l'utilisateur du produit, que vous trouverez sur le CD joint ou sur le site www.axis.com

Procédure d'installation

1. Vérifiez le contenu de l'emballage par rapport à la liste ci-dessous.
2. Vue d'ensemble du matériel. Reportez-vous à la page 26.
3. Installation du matériel.
 - Préparation de l'installation, reportez-vous à la page 28.
 - Fixation au plafond, reportez-vous à la page 30.
 - Fixation au faux plafond, reportez-vous à la page 30.
 - Fixation du support (accessoire en option), reportez-vous à la page 32.
4. Attribution d'une adresse IP. Reportez-vous à la page 33.
5. Configuration du mot de passe. Reportez-vous à la page 36.

Important !

Ce produit doit être utilisé conformément aux lois et dispositions locales en vigueur.

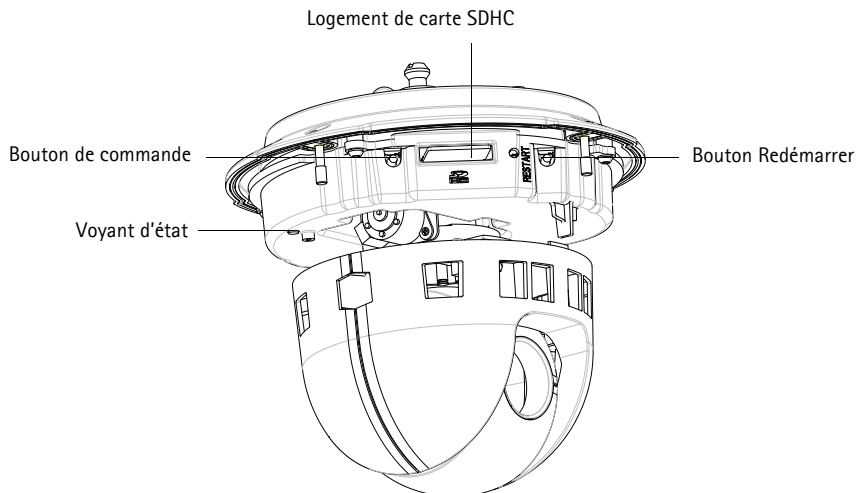
1 Contenu de l'emballage

Article	Modèles/variantes/remarques
Caméra réseau	AXIS P5512
Bulles du dôme	Bulle transparente non fumée (prémontée) Bulle transparente fumée
Kit de montage	Kit de fixation au plafond et faux plafond Tournevis Resitorx
CD	CD du produit de vidéo sur IP Axis, comprenant une documentation, les outils d'installation et les autres logiciels.
Documentation imprimée	AXIS P5512 Guide d'installation de la Caméra réseau (le présent document), document de garantie d'Axis, gabarit de perçage, étiquettes de numéro de série supplémentaires (x2), clé d'authentification AVHS

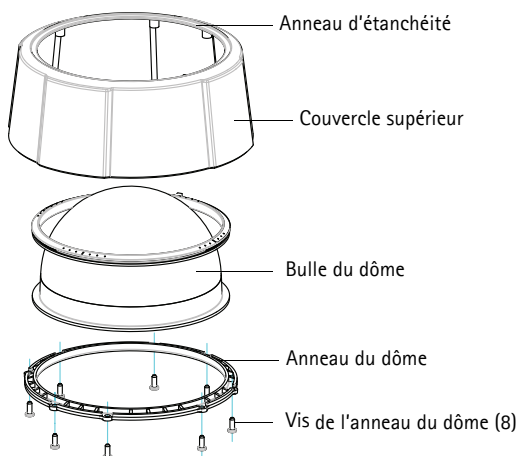
Accessoires en option	Accessoires de montage AXIS T91A Câble multiconnexion pour la connexion d'E/S, audio et d'alimentation Pour plus d'informations sur les accessoires d'alimentation et les boîtiers d'extérieur, visitez le site www.axis.com
-----------------------	--

2 Présentation du matériel

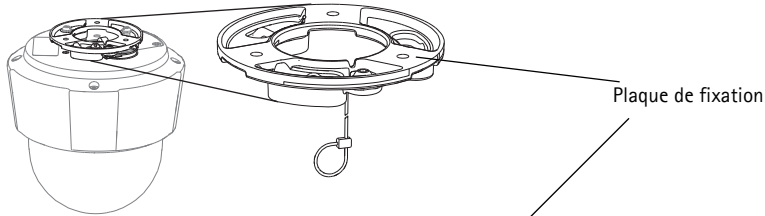
Caméra



Bulle du dôme

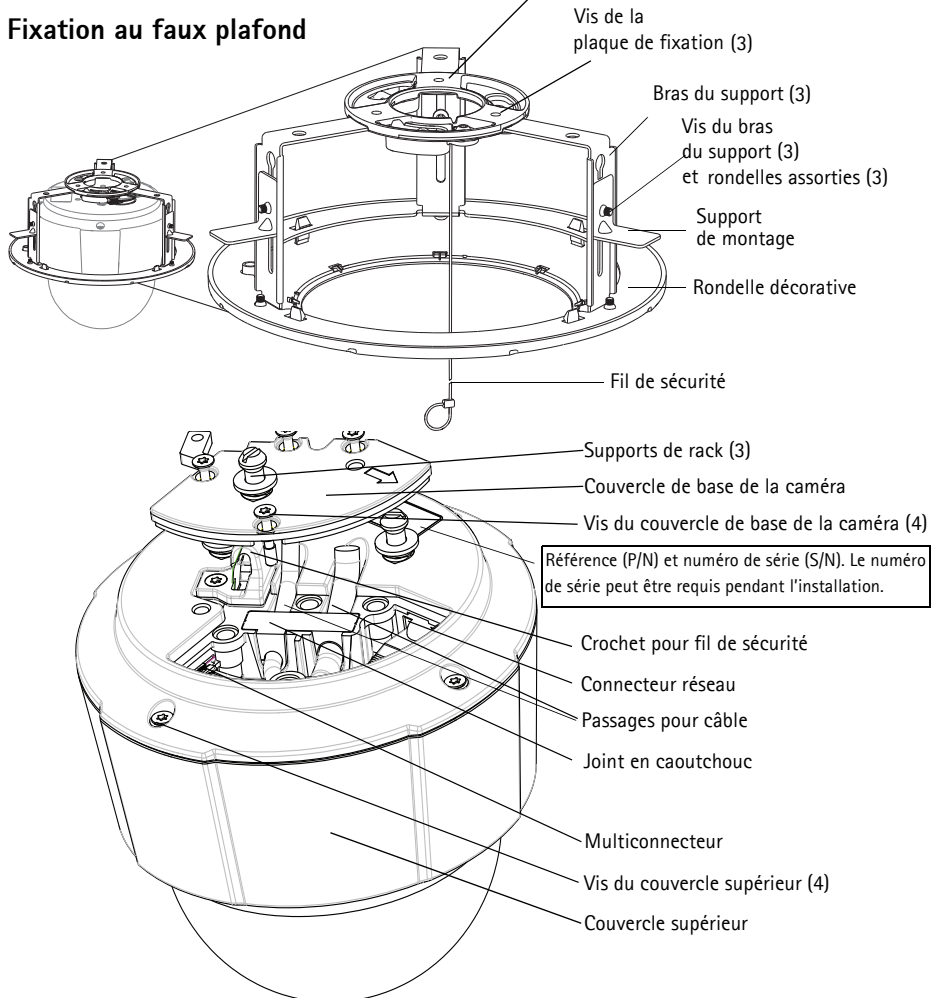


Fixation au plafond



Plaque de fixation

Fixation au faux plafond



Vis de la plaque de fixation (3)

Bras du support (3)

Vis du bras du support (3) et rondelles assorties (3)

Support de montage

Rondelle décorative

Fil de sécurité

Supports de rack (3)

Couvercle de base de la caméra

Vis du couvercle de base de la caméra (4)

Référence (P/N) et numéro de série (S/N). Le numéro de série peut être requis pendant l'installation.

Crochet pour fil de sécurité

Connecteur réseau

Passages pour câble

Joint en caoutchouc

Multiconnecteur

Vis du couvercle supérieur (4)

Couvercle supérieur

3 Installation du matériel

- !** IMPORTANT ! – Pour pouvoir utiliser la caméra AXIS P5512 à l'extérieur, vous devez la placer dans un boîtier d'extérieur homologué. Visitez le site www.axis.com pour plus d'informations sur le boîtier d'extérieur.

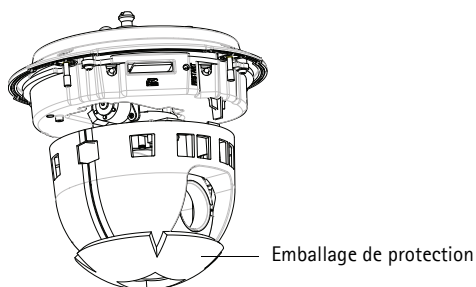
Préparation de l'installation

Lisez toutes les instructions avant de préparer l'installation de la caméra AXIS P5512. En effet, de nombreuses étapes de cette préparation requièrent le retrait du couvercle supérieur et il serait plus judicieux de les effectuer ensemble.

- Avant l'installation, retirez la caméra de son emballage de protection (reportez-vous aux instructions ci-dessous).
- Pour remplacer la bulle du dôme, reportez-vous à la section *Remplacement de la bulle du dôme fumé/non fumé (facultatif)*, page 29.
- Pour retirer le couvercle supérieur et installer une carte SD, reportez-vous à la section *Installation d'une carte SD (facultatif)*, page 29.

Retrait de l'emballage de protection

1. Desserrez les quatre vis du couvercle supérieur pour le retirer. Voir l'illustration à la page 27.
2. Retirez l'emballage de protection.



3. Pour remplacer la bulle du dôme fumée/non fumée ou installer une carte SD, suivez les instructions de la page 29.
4. Remettez le couvercle supérieur en place et serrez deux vis diamétralement opposées à un couple $< 0,7$ N m avant de serrer les deux autres.

Remplacement de la bulle du dôme fumé/non fumé (facultatif)

1. Desserrez les quatre vis du couvercle supérieur et retirez-le, voir l'illustration à la page 27.
2. Desserrez les huit vis de l'anneau du dôme, puis retirez ce dernier du couvercle supérieur.
3. Fixez l'anneau et la bulle du dôme sur le couvercle supérieur, puis serrez les huit vis (couple 0,4 - 0,6 N m).
4. Pour installer une carte SD, reportez-vous aux instructions décrites dans la section *Installation d'une carte SD (facultatif)* ci-après.
5. Remettez le couvercle supérieur en place et serrez deux vis diamétralement opposées à un couple < 0,7 N m avant de serrer les deux autres.

Remarque :

Veillez à ne pas rayer ou endommager la bulle du dôme. Utilisez un chiffon doux pour nettoyer la bulle du dôme avant de le fixer à la caméra.

Installation d'une carte SD (facultatif)

1. Desserrez les quatre vis du couvercle supérieur pour le retirer. Voir l'illustration à la page 27.
2. Insérez une carte SD (non fournie) dans le logement de carte SDHC (Secure Digital High Capacity).
3. Remettez en place le couvercle supérieur, puis serrez les vis.

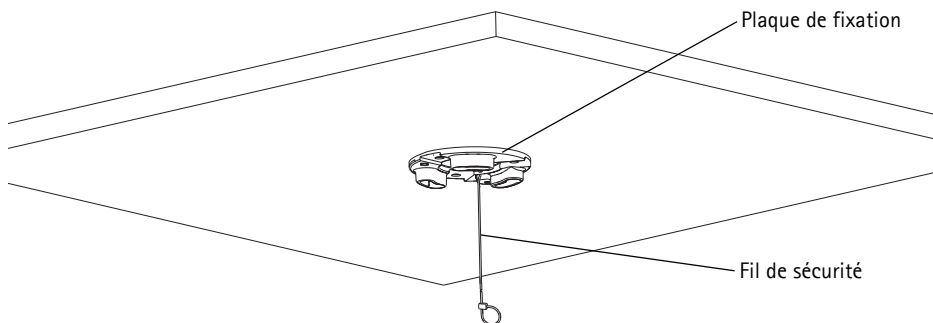
Remarque :

La carte SD est automatiquement installée une fois insérée dans le logement de carte SDHC. Il est cependant nécessaire de désinstaller la carte SD à partir des pages Web de la caméra avant de la retirer. Choisissez **Setup (Configuration) > System Options (Options système) > Storage (Stockage) > SD Card (Carte SD)**, puis cliquez sur **Unmount (Désinstaller)**. Pour plus d'informations, consultez le manuel de l'utilisateur, disponible sur le CD du produit de vidéo sur IP AXIS, fourni avec le produit ou en téléchargement sur le site Web www.axis.com

Fixation au plafond

Pour installer la plaque de fixation :

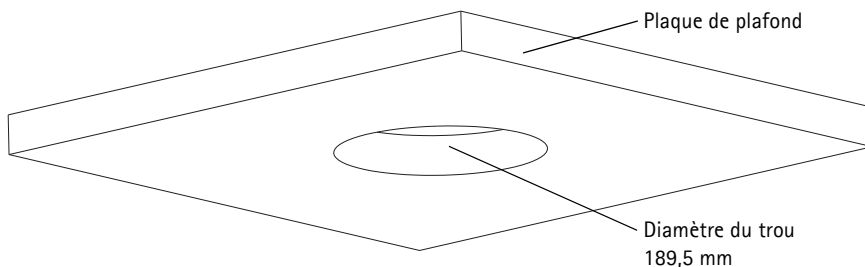
1. Marquez les emplacements des trous à l'aide du gabarit de perçage fourni. Utilisez des forets, des vis et des chevilles appropriés au matériau du plafond.
2. Installez la plaque de fixation.



3. Desserrez les quatre vis du couvercle de base de la caméra, puis retirez le couvercle. Voir l'illustration à la page 27.
4. Acheminez le câble réseau et le câble multi-connexion, le cas échéant, puis branchez-les à la caméra réseau. Veillez à ne pas endommager les câbles lors du branchement. Vérifiez que les trous sur le joint en caoutchouc sont alignés aux passages pour câble et, le cas échéant, enlevez l'échancrure du joint pour laisser passer le câble multiconnexion.
5. Remettez en place le couvercle de base de la caméra, puis serrez les vis.
6. Fixez la caméra à l'aide du fil de sécurité fourni.
7. Glissez les supports de rack de la caméra réseau dans les logements de la plaque de fixation, puis tournez la caméra.

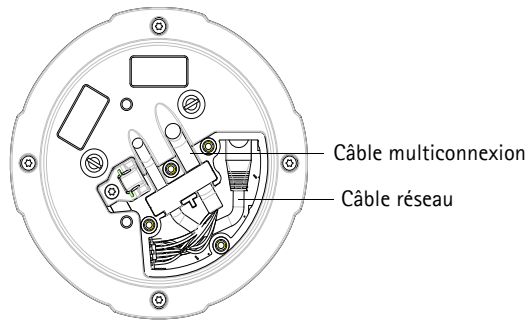
Fixation au faux plafond

1. Retirez la plaque de plafond sur laquelle le kit de montage doit être fixé.
2. Utilisez le gabarit fourni pour marquer l'emplacement du trou de 189,5 mm dans la plaque de plafond. Faites un trou suivant le contour du gabarit.



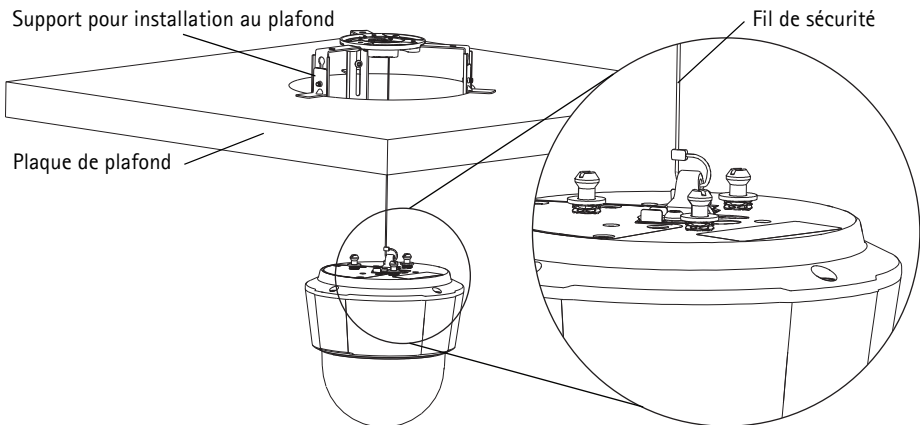
Remarques :

- La caméra plus le kit de montage pèsent environ 2,3 kg (5,1 livres). Assurez-vous que le matériau du plafond est suffisamment solide pour supporter ce poids.
 - La plaque de plafond doit avoir une épaisseur comprise entre 5 mm et 60 mm (0,2 po et 2,4 po).
3. Assemblez le support pour installation au plafond.
 4. Posez le support sur la plaque de plafond. Voir l'illustration à la page 31.
 5. Serrez les vis du bras de support à l'aide d'un tournevis torx 20.
 6. Desserrez les quatre vis du couvercle de base de la caméra, puis retirez le couvercle. Voir l'illustration à la page 27.
 7. Retirez le joint de câble et acheminez le câble réseau. Retirez la prise du câble du joint pour acheminer le câble multiconnexion, le cas échéant. Veillez à ne pas endommager les câbles lors du branchement à la caméra réseau.



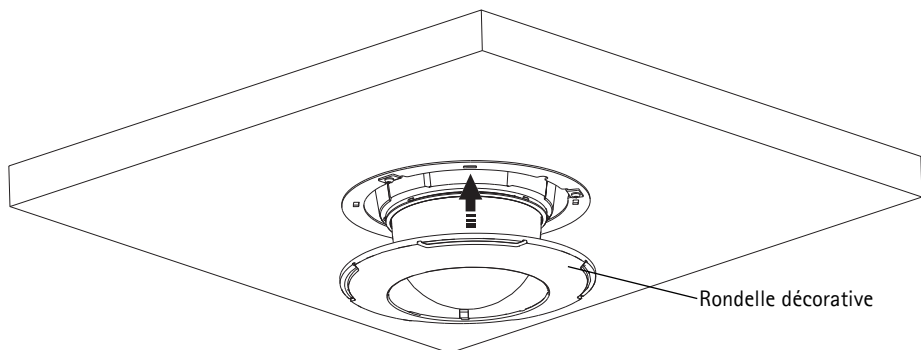
8. Remettez en place le couvercle de base de la caméra, puis serrez les vis.
9. Fixez la caméra à l'aide du fil de sécurité fourni.

Support pour installation au plafond



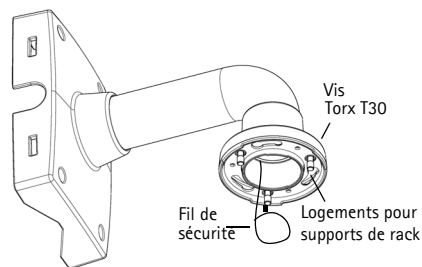
10. Glissez les supports de rack de la caméra réseau dans les logements de la plaque de fixation, puis faites tourner la caméra.

11. Installez la plaque de plafond (avec la caméra déjà montée) dans le plafond.
12. Placez la rondelle décorative sur le support, puis enclenchez-la.



Fixation du support (accessoire en option)

1. Installez le support choisi conformément aux instructions fournies avec le support. S'il s'avère nécessaire de percer, vérifiez que les forets, vis et chevilles sont appropriés pour le matériau.
2. Desserrez les quatre vis du couvercle de base de la caméra, puis retirez le couvercle. Voir l'illustration à la page 27.
3. Acheminez le câble réseau et le câble multiconnexion, le cas échéant, dans les trous du support de fixation.



Support mural (exemple de fixation)



4. Accrochez la caméra au fil de sécurité du support.
5. Branchez le câble réseau et le câble multiconnexion, le cas échéant, à la caméra réseau.
6. Remettez en place le couvercle de base de la caméra.
7. Glissez les supports de rack de la caméra réseau dans les logements du support, puis faites tourner la caméra.
8. Fixez la caméra réseau au support de fixation à l'aide des trois vis (Torx T30).

4 Attribution d'une adresse IP

Aujourd'hui, la plupart des réseaux sont équipés d'un serveur DHCP qui attribue automatiquement des adresses IP aux dispositifs connectés. Si votre réseau ne possède pas de serveur DHCP, la caméra réseau utilise l'adresse IP 192.168.0.90 comme adresse IP par défaut.

Si vous souhaitez paramétrer une adresse IP statique sous Windows, nous recommandons l'utilisation de l'application **AXIS IP Utility** ou de l'application **AXIS Camera Management**. Selon le nombre de caméras à installer, choisissez la méthode qui vous convient le mieux.

Ces deux applications gratuites sont disponibles sur le CD du produit de vidéo sur IP AXIS fourni avec ce produit. Vous pouvez également les télécharger à partir du site www.axis.com

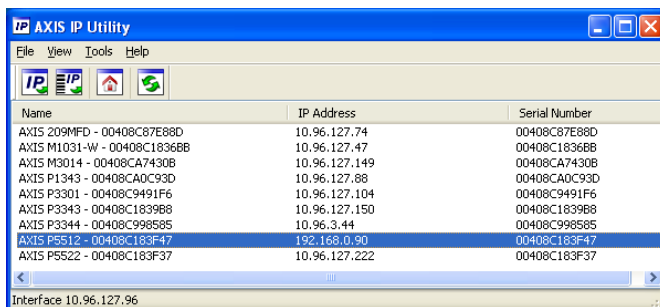
Méthode	Recommandée pour	Système d'exploitation
 AXIS IP Utility Voir page 34	Une seule caméra Petites installations	Windows
 AXIS Camera Management Voir page 35	Plusieurs caméras Grandes installations Installation sur un autre sous-réseau	Windows 2000 Windows XP Pro Windows 2003 Server Windows Vista Windows 7

Remarques :

- En cas d'échec de l'attribution de l'adresse IP, vérifiez qu'aucun pare-feu ne bloque l'opération.
- Pour connaître les autres méthodes d'attribution ou de détection de l'adresse IP, par exemple sous d'autres systèmes d'exploitation, reportez-vous à la page 39.

AXIS IP Utility : une seule caméra et une petite installation

AXIS IP Utility recherche et affiche automatiquement les périphériques Axis présents sur votre réseau. Cette application sert également à attribuer manuellement une adresse IP statique.




Notez que l'ordinateur exécutant l'application AXIS IP Utility doit se trouver sur le même segment de réseau (sous-réseau physique) que la caméra réseau.

Détection automatique

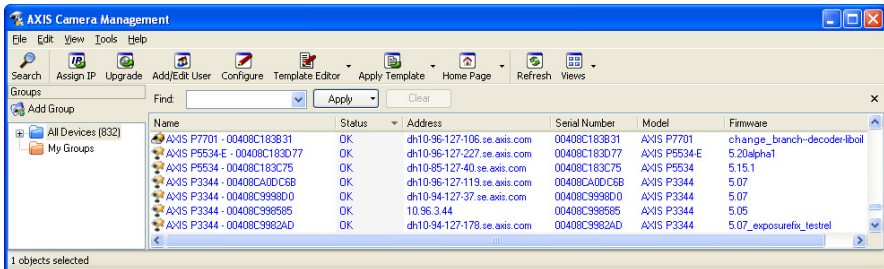
1. Vérifiez que la caméra réseau est connectée au réseau et qu'elle est sous tension.
2. Lancez AXIS IP Utility.
3. Lorsque l'icône de la caméra apparaît dans la fenêtre, cliquez deux fois dessus pour ouvrir la page d'accueil correspondante.
4. Reportez-vous à la page 36 pour la configuration du mot de passe.

Attribution manuelle de l'adresse IP (facultatif)

1. Trouvez une adresse IP non utilisée sur le même segment de réseau que celui de votre ordinateur.
2. Sélectionnez la caméra réseau dans la liste.
3. Cliquez sur le bouton **Assign new IP address to the selected device (Attribuer une nouvelle adresse IP au périphérique sélectionné)** , puis saisissez l'adresse IP.
4. Cliquez sur le bouton **Assign (Attribuer)** et suivez les instructions qui s'affichent à l'écran. La caméra doit être redémarrée dans les 2 minutes qui suivent pour que la nouvelle adresse IP soit prise en compte.
5. Cliquez sur le bouton **Home Page (Page d'accueil)** pour accéder aux pages Web de la caméra.
6. Reportez-vous à la page 36 pour la configuration du mot de passe.

AXIS Camera Management : plusieurs caméras et de grandes installations

AXIS Camera Management est capable de détecter automatiquement plusieurs dispositifs Axis, d'afficher leur état de connexion, de gérer les mises à niveau des micrologiciels et de définir les adresses IP.



Détection automatique

1. Vérifiez que la caméra est connectée au réseau et qu'elle est sous tension.
2. Lancez AXIS Camera Management. Lorsque la caméra réseau apparaît dans la fenêtre, cliquez sur le lien avec le bouton droit de la souris, puis sélectionnez **Live View Home Page (Page d'accueil – Vidéo en direct)**.
3. Reportez-vous à la page 36 pour la configuration du mot de passe.


Attribution d'une adresse IP à un seul périphérique

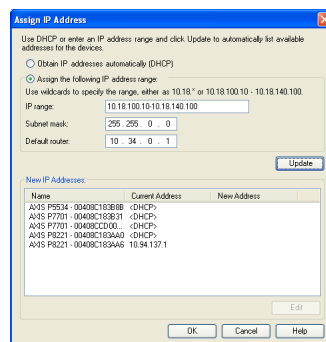
1. Sélectionnez la caméra réseau dans l'application AXIS Camera Management, puis cliquez sur le bouton **Assign IP (Attribuer une adresse IP)**.
2. Sélectionnez **Assign the following IP address (Attribuer l'adresse IP suivante)** et saisissez l'adresse IP, le masque de sous-réseau et le routeur par défaut que le périphérique utilisera.
3. Cliquez sur **OK**.



Attribution d'adresses IP à plusieurs périphériques

AXIS Camera Management accélère le processus d'attribution d'adresses IP à plusieurs périphériques en suggérant des adresses IP dans une plage spécifiée.

1. Sélectionnez les périphériques à configurer (il peut s'agir de plusieurs modèles), puis cliquez sur le bouton **Assign IP** (Attribuer une adresse IP). 
2. Sélectionnez **Assign the following IP address range** (Attribuer la plage d'adresses IP suivante) et saisissez la plage d'adresses IP, le masque de sous-réseau et le routeur par défaut que les périphériques utiliseront.
3. Cliquez sur **Update** (Mettre à jour). Les adresses IP suggérées sont énumérées sous le champ **New IP Addresses** (Nouvelles adresses IP) et peuvent être modifiées en sélectionnant un périphérique et en cliquant sur le bouton **Edit** (Modifier).
4. Cliquez sur **OK**.



5 Configuration du mot de passe

Pour accéder au produit, le mot de passe par défaut de l'administrateur, **root**, doit être configuré. Pour ce faire, utilisez la boîte de dialogue **Configure Root Password** (Configurer le mot de passe root) qui s'affiche lors du premier accès à la caméra réseau.

Pour éviter les écoutes électroniques lors de la configuration du mot de passe root, utilisez une connexion HTTPS cryptée nécessitant un certificat HTTPS.

Remarque : Le protocole HTTPS (Hypertext Transfer Protocol over Secure Socket Layer) est utilisé pour crypter le trafic entre les navigateurs Web et les serveurs. Le certificat HTTPS contrôle l'échange crypté des informations.

Pour configurer le mot de passe avec une connexion HTTP standard, saisissez directement le mot de passe dans la première boîte de dialogue représentée ci-dessous.

Pour configurer le mot de passe avec une connexion HTTPS cryptée, procédez comme suit :

1. Cliquez sur le bouton **Create self-signed certificate** (Créer un certificat autosigné).
2. Saisissez les informations demandées, puis cliquez sur **OK**. Le certificat est créé et le mot de passe peut maintenant être configuré en toute sécurité. Tout le trafic vers et depuis la caméra réseau est désormais crypté.

- Saisissez un mot de passe, puis saisissez-le à nouveau pour le confirmer. Cliquez sur **OK**. Le mot de passe est maintenant configuré.

The image shows three screenshots from the Axis P5512 configuration interface:

- Top Screenshot:** 'Create Certificate' dialog box. It contains a button labeled 'Create self-signed certificate...'. An arrow points from this button to the text 'Pour créer une connexion HTTPS, cliquez sur ce bouton.'
- Middle Screenshot:** 'Create Self-Signed Certificate' dialog box. It has fields for 'Common name:' (filled with '10.96.127.232') and 'Validity:' (filled with '365' days). Below these are 'OK' and 'Cancel' buttons. A note states: '*The name of the entity to be certified, i.e. the IP address or host name of this product.' Below this is another note: 'Once the certificate is created, this page will close and you will be able to configure the root password via HTTPS.'
- Bottom Screenshot:** 'Configure Root Password using HTTPS' dialog box. It has fields for 'User name:' (filled with 'root'), 'Password:', and 'Confirm password:'. An 'OK' button is at the bottom right. A note at the bottom states: 'The password for the pre-configured administrator root must be changed before the product can be used. If the password for root is lost, the product must be reset to the factory default settings, by pressing the button located in the product's casing. Please see the user documentation for more information.'

Additional text annotations:

- An arrow points from the 'Configure Root Password' section of the middle screenshot to the text: 'Pour configurer directement le mot de passe par le biais d'une connexion cryptée, saisissez le mot de passe dans cette section.'

- Pour vous connecter, saisissez le nom d'utilisateur « root » dans la boîte de dialogue à l'invite. **Remarque :**Le nom d'utilisateur par défaut de l'utilisateur est root et il ne peut pas être supprimé.
- Saisissez le mot de passe de la manière indiquée ci-dessus et cliquez sur **OK**. **Remarque :**Si vous avez oublié votre mot de passe, vous devrez rétablir les paramètres d'usine par défaut de votre caméra. Reportez-vous à la page 44.

Accès au flux de données vidéo

La page Live View (Vidéo en direct) de la caméra réseau s'affiche, avec des liens vers les outils de configuration, lesquels vous permettent d'adapter la caméra à vos besoins.

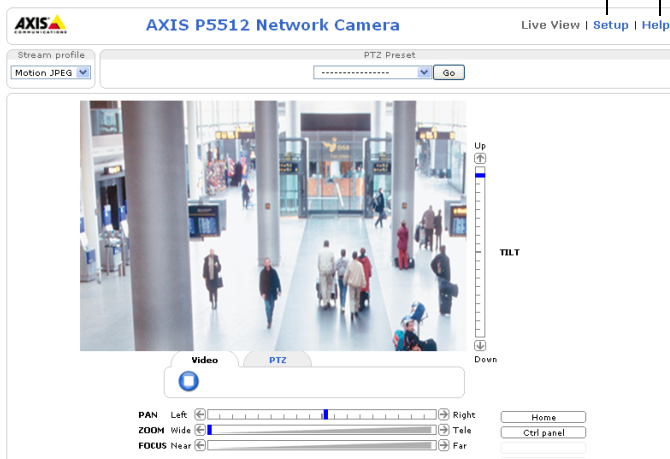
Si nécessaire, cliquez sur **Yes (Oui)** pour installer AMC (AXIS Media Control) afin de visualiser le flux de données vidéo dans Internet Explorer. Pour ce faire, vous devrez être connecté à l'ordinateur avec des droits d'administrateur.

Si nécessaire, cliquez sur le lien pour installer les décodeurs manquants.

Remarque : Pour installer AMC sous Windows 7/Windows Vista, vous devez exécuter Internet Explorer en tant qu'administrateur. Cliquez avec le bouton droit de la souris sur l'icône d'Internet Explorer et sélectionnez Exécuter en tant qu'administrateur.

Setup (Configuration) : contient tous les outils nécessaires pour configurer la caméra en fonction de vos besoins.

Help (Aide) : affiche l'aide en ligne sur tout ce qui a trait à l'utilisation de la caméra.



Autres méthodes de configuration de l'adresse IP

Le tableau ci-dessous indique les autres méthodes permettant de configurer ou de définir l'adresse IP. Toutes les méthodes sont activées par défaut et peuvent être désactivées.

	Système d'exploitation utilisé	Remarques
UPnP™	Windows	Lorsque la caméra est activée sur votre ordinateur, elle est détectée et ajoutée automatiquement au dossier « Favoris réseau ».
Bonjour	MAC OS X (10.4 ou version ultérieure)	Pour les navigateurs compatibles avec Bonjour. Accédez au raccourci de Bonjour dans votre navigateur (par exemple, Safari), puis cliquez sur le lien pour accéder aux pages Web de la caméra.
AXIS Dynamic DNS Service	Tous	Service Axis gratuit permettant d'installer rapidement et facilement votre caméra. Nécessite une connexion Internet sans proxy HTTP. Pour plus d'informations, visitez le site www.axiscam.net
ARP/Ping	Tous	Voir ci-dessous. La commande doit être saisie dans les deux minutes suivant la mise sous tension de la caméra.
DHCP	Tous	Pour consulter les pages administratives du serveur DHCP réseau, reportez-vous à la documentation du serveur.

AXIS Video Hosting System (AVHS)

La caméra peut aussi être connectée à un serveur AVHS pour les vidéos reçues. Si vous vous êtes inscrit à un service AVHS, suivez les instructions décrites dans le Guide d'installation du fournisseur de service. Pour obtenir des renseignements supplémentaires et trouver un fournisseur de service AVHS, consultez le site www.axis.com/hosting

La Clé d'authentification du propriétaire de la caméra est inscrite sur la couverture arrière de ce document. La clé est associée au numéro de série (S/N) unique de la caméra, comme décrit sur le haut de l'étiquette.

Remarque :

Enregistrez la clé pour une utilisation ultérieure.

Définition de l'adresse IP à l'aide d'ARP/Ping

1. Trouvez une adresse IP sur le même segment de réseau que celui de votre ordinateur.
2. Repérez le numéro de série (S/N) sur l'étiquette de la caméra.
3. Ouvrez une invite de commandes sur votre ordinateur et saisissez les commandes suivantes :

Syntaxe pour Windows :	Exemple pour Windows :
arp -s <IP Address> <Serial Number> ping -l 408 -t <IP Address>	arp -s 192.168.0.125 00-40-8c-18-10-00 ping -l 408 -t 192.168.0.125
Syntaxe pour UNIX/Linux/Mac :	Exemple pour UNIX/Linux/Mac :
arp -s <IP Address> <Serial Number> temp ping -s 408 <IP Address>	arp -s 192.168.0.125 00:40:8c:18:10:00 temp ping -s 408 192.168.0.125

4. Vérifiez que le câble réseau est connecté à la caméra, puis démarrez/redémarrez cette dernière en débranchant, puis en rebranchant l'alimentation.
5. Fermez la commande d'invite quand vous voyez « Reply from 192.168.0.125:... » (Réponse de 192.168.0.125:...) ...' ou un message similaire.
6. Dans votre navigateur, saisissez `http://<Adresse IP>` dans le champ Emplacement/Adresse, puis appuyez sur la touche Entrée de votre clavier.

Remarques :

- Ouvrir une invite de commandes sous Windows : dans le menu Démarrer, sélectionnez Exécuter... et tapez cmd. Cliquez sur OK.
- Pour utiliser la commande ARP sous Windows 7/Windows Vista, cliquez avec le bouton droit de la souris sur l'icône d'invite de commande et sélectionnez **Exécuter en tant qu'administrateur**.
- Pour utiliser la commande ARP sous Mac OS X, utilisez l'utilitaire Terminal dans Application > Utilitaires.

Connecteurs de l'appareil

Connecteur réseau : connecteur Ethernet RJ-45. Prend en charge PoE (alimentation par Ethernet, IEEE 802.3af Class 3). Des câbles blindés doivent être utilisés par souci de conformité aux normes EMC.

Multiconnecteur : reportez-vous à la section *Câble multiconnexion (vendu séparément)*, page 42 – Connecteur pour terminaux pour une connexion à l'équipement externe :

- Équipement audio
- Périphériques d'entrée ou de sortie (E/S)
- Bloc d'alimentation CA/CC

Lors du branchement d'un équipement externe à l'injecteur AXIS P5512, un câble multi-connexion est requis afin de respecter la norme IP51. Le câble multiconnexion est disponible auprès de votre revendeur Axis. Pour plus d'informations, consultez le manuel de l'utilisateur, disponible sur le CD du produit de vidéo sur IP AXIS, fourni avec le produit ou en téléchargement sur le site Web www.axis.com

Logement de carte SDHC : une carte mémoire SD standard ou haute capacité (non fournie) est requise pour stocker des images en local sur la caméra réseau. Pour insérer et retirer la carte SD, il est indispensable de retirer le couvercle supérieur de la caméra, reportez-vous à la section *Installation d'une carte SD (facultatif)*, page 29.

Remarque :

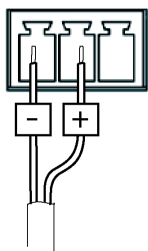
Vous devez désinstaller la carte SD avant de la retirer pour éviter que les enregistrements soient corrompus. Pour désinstaller la carte SD, choisissez **Setup (Configuration) > System Options (Options système) > Storage (Stockage) > SD Card (Carte SD)**, puis cliquez sur **Unmount (Désinstaller)**. Pour plus d'informations, consultez le manuel de l'utilisateur, disponible sur le CD du produit de vidéo sur IP AXIS, fourni avec le produit ou en téléchargement sur le site Web www.axis.com

Câble multiconnexion (vendu séparément)

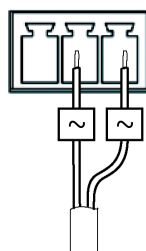
Lors de la connexion d'un équipement externe à l'injecteur AXIS P5512, un câble multi-connexion est requis afin de respecter la norme IP51 de la caméra. Le câble multiconnexion est disponible auprès de votre revendeur Axis.

Branchez le câble multiconnexion au port multiconnexion de la caméra. Reportez-vous à l'illustration de la page page 27 et aux instructions des pages page 30 et page 30. Les connecteurs que comprend le câble sont les suivants :

Connecteur d'alimentation : bloc terminal à trois broches utilisé pour la puissance d'entrée.



Puissance d'entrée CC, 24 à 34 V CC
AXIS P5512 : max. 15,7 W

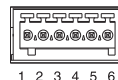


Puissance d'entrée CA, 20 à 24 V CA
AXIS P5512 : max 23,5 VA

Entrée audio (rose) : entrée de 3,5 mm pour microphone mono ou signal d'entrée mono (le canal de gauche est utilisé pour le signal stéréo).

Sortie audio (vert) : sortie de 3,5 mm pour audio (niveau de ligne) qui peut être connectée à un système d'annonce publique (PA) ou haut-parleur actif avec amplificateur intégré. Il est également possible de connecter une paire d'écouteurs. Un connecteur stéréo doit être utilisé pour la sortie audio.

Connecteur pour terminaux d'E/S : utilisé dans le cadre d'applications telles que la détection de mouvement, le déclenchement d'événements, l'enregistrement à intervalles et les notifications d'alarme. En plus d'une alimentation auxiliaire et d'une broche de terre, le connecteur pour terminaux d'E/S possède 4 broches qui peuvent être configurées comme entrées ou sorties. Ces broches assurent l'interface avec :



- **Sortie numérique** : permet de connecter des dispositifs externes, comme des relais ou des voyants lumineux. Les dispositifs connectés peuvent être activés à l'aide de l'interface de programmation VAPIX®, des boutons de sortie sur la page **Live View (Vidéo en direct)** ou à l'aide d'un **type d'événement**. La sortie est considérée comme étant active (ce qui est visible dans **Events (Événements) > Port Status (État du port)** si le dispositif d'alarme est activé.

- Entrée numérique : entrée d'alarme utilisée pour connecter des dispositifs pouvant passer d'un circuit ouvert à un circuit fermé, par exemple, des détecteurs infrarouges passifs, des contacts de porte/fenêtre et des détecteurs de bris de verre. Lorsqu'un signal est reçu, l'état change et l'entrée devient active (sous Events [Événements] > Port Status [État du port]).

Fonction	Broche	Remarques	Caractéristiques techniques
GND (Terre)	1	Mise à la terre	
3.3Alimentation 3,3 V CC	2	Peut servir à alimenter le matériel auxiliaire. Remarque : la broche peut être utilisée <u>uniquement</u> comme sortie d'alimentation.	Charge maximale = 250 mA
Configurable (entrée ou sortie)	3-6	Entrée numérique - Connectez-la au GND pour l'activer ou laissez-la flotter (ou déconnectée) pour la désactiver.	0 à +40 V CC
		Sortie numérique : connexion interne à la masse en cas d'activation, flottante (déconnectée) en cas de désactivation. En cas d'utilisation avec un relais externe, une diode doit être connectée en parallèle avec la charge, en guise de protection contre les tensions transitoires.	Charge maximale = 100 mA Tension maximale = +40 V CC

AXIS P5512 – Voyants d'état

Couleur	Indication
Éteint	Connexion stable/fonctionnement normal
Orange	En continu pendant l'initialisation du système et le rétablissement des valeurs d'usine par défaut. Clignote pendant les mises à niveau du microprogramme.
Orange/rouge	Pas de connexion au réseau.
Rouge	Échec de la mise à niveau du microprogramme
Vert	Continu pendant 10 s après avoir redémarré avec succès

Remarque :

Pour plus d'informations sur les voyants d'état AXIS P5512 , consultez le manuel de l'utilisateur, disponible sur le CD du produit de vidéo sur IP AXIS, fourni avec le produit ou en téléchargement sur le site Web www.axis.com

Rétablissement des paramètres d'usine par défaut

Pour rétablir les paramètres d'usine par défaut de la caméra, utilisez le bouton de commande et le bouton de redémarrage situés sur le côté de la caméra, reportez-vous à la section *Présentation du matériel*, page 26, comme décrit ci-après :

Les boutons de commande et de redémarrage permettent de rétablir les paramètres par défaut définis en usine et de réinitialiser l'adresse IP :

1. Retirez le couvercle supérieur, reportez-vous à la section *Retrait de l'emballage de protection*, page 28.
2. Appuyez sur le bouton de commande et le bouton de redémarrage en même temps et maintenez-les enfoncés.
3. Relâchez le bouton de redémarrage, mais maintenez le bouton de commande enfoncé.
4. Maintenez le bouton de commande enfoncé jusqu'à ce que la couleur du témoin d'état passe à l'orange (cela peut prendre jusqu'à 15 secondes).
5. Relâchez le bouton de commande.
6. Lorsque le voyant d'état passe au vert (ce qui peut prendre 1 minute), les paramètres par défaut de la caméra ont été rétablis. L'adresse IP de la caméra est maintenant 192.168.0.90
7. Remettez en place le couvercle supérieur de la caméra.
8. Attribuez à nouveau l'adresse IP selon une des méthodes décrites dans la section *Attribution d'une adresse IP*, page 33.

Il est également possible de rétablir les paramètres d'usine par défaut à partir de l'interface Web. Pour plus d'informations, consultez l'aide en ligne ou le manuel de l'utilisateur, disponibles sur le CD du produit de vidéo sur IP AXIS fourni avec le produit.

Accès à la caméra via Internet

Une fois installée, votre caméra réseau est accessible sur votre réseau local (LAN). Pour accéder à la caméra via Internet, les routeurs réseau doivent être configurés de manière à autoriser le trafic entrant, ce qui est généralement réalisé sur un port spécifique.

- Le port HTTP (port 80 par défaut) pour l'affichage et la configuration
- Le port RTSP (port 554 par défaut) pour l'affichage des flux de données vidéo H.264

Pour des instructions supplémentaires, consultez la documentation du routeur. Pour plus d'informations à ce sujet ou pour toute autre question, consultez la page d'assistance technique d'Axis à l'adresse www.axis.com/techsup.

Plus d'informations

Le manuel de l'utilisateur est disponible sur le site Web d'Axis (www.axis.com) et sur le CD du produit de vidéo sur IP AXIS fourni avec le produit.

Conseil :

Consultez le site www.axis.com/techsup pour vérifier si des micrologiciels à jour sont disponibles pour votre caméra réseau. Pour connaître la version du micrologiciel actuellement installée, reportez-vous à la page Setup (Configuration) > About (À propos de).

Sicherheitsvorkehrungen

Bitte lesen Sie zunächst diese Installationsanleitung vollständig durch, bevor Sie mit der Installation Ihres Produkts beginnen. Halten Sie die Installationsanleitung bereit, falls Sie darauf zurückgreifen müssen.

VORSICHT!

- Transportieren Sie das Axis-Produkt nur in der Originalverpackung bzw. in einer vergleichbaren Verpackung, damit das Produkt nicht beschädigt wird.
- Achten Sie darauf, dass das Axis-Produkt keinen Erschütterungen, Stößen oder starkem Druck ausgesetzt ist und montieren Sie die Kamera nicht auf instabilen Halterungen oder auf instabilen und vibrierenden Oberflächen oder Wänden. Dies könnte zu Beschädigungen des Produkts führen.
- Verwenden Sie keine elektrischen Werkzeuge zur Montage des Axis-Produkts, da diese das Produkt beschädigen könnten.
- Verwenden Sie keine chemischen, ätzenden oder Aerosol-Reinigungsmittel. Verwenden Sie zur Reinigung ein feuchtes Tuch.
- Verwenden Sie nur Ersatzteile, die von Axis empfohlen bzw. bereitgestellt wurden.
- Versuchen Sie nicht, das Produkt selbst zu reparieren. Wenden Sie sich bei Service-Angelegenheiten an Axis oder an Ihren Axis-Händler.

WICHTIG!

- Verwenden Sie dieses Axis-Produkt unter Beachtung der geltenden rechtlichen Bestimmungen.

Batteriewechsel

Dieses Axis-Produkt ist mit einer 3,0 V CR2032 Lithium-Batterie ausgestattet, mit der die interne Echtzeituhr (RTC) versorgt wird. Unter normalen Bedingungen hält die Batterie mindestens 5 Jahre. Bei entladener Batterie ist der Betrieb der Echtzeituhr nicht mehr ausreichend gewährleistet, sodass die Uhr bei jedem Systemstart zurückgesetzt wird. Sie erhalten eine Protokollnachricht, wenn ein Batteriewechsel erforderlich ist. Die Batterie sollte erst bei Bedarf gewechselt werden.

Unter „www.axis.com/techsup“ finden Sie Informationen darüber, was Sie beim Austausch der Batterie beachten müssen.

- Explosionsgefahr bei fehlerhaftem Batteriewechsel!
- Die Batterie muss durch dasselbe oder ein gleichwertiges Fabrikat ersetzt werden, das vom Hersteller zugelassen ist.
- Verbrauchte Batterien sind gemäß Herstelleranweisungen zu entsorgen.

Reinigen der Kuppelabdeckung

- Achten Sie darauf, die Kuppelabdeckung nicht zu zerkratzen oder zu beschädigen. Reinigen Sie die Kuppelabdeckung nicht, solange sie sauber aussieht, und polieren Sie niemals die Oberfläche. Übermäßiges Reinigen kann die Oberfläche beschädigen.
- Zur allgemeinen Reinigung einer Kuppelabdeckung wird die Verwendung einer nicht aggressiven, lösungsmittelfreien neutralen Seife bzw. eines solchen Reinigungsmittels zusammen mit Wasser und einem weichen Tuch empfohlen. Spülen Sie gut mit sauberem, lauwarmem Wasser nach. Trocknen Sie die Kuppelabdeckung mit einem weichen Tuch ab, um Wasserflecken zu vermeiden.
- Verwenden Sie niemals scharfe Reinigungsmittel, Benzin, Benzol, Aceton o. Ä. und führen Sie die Reinigung nicht unter direkter Sonneneinstrahlung oder bei hohen Temperaturen durch.

AXIS P5512 Installationsanleitung

In dieser Anleitung wird die Installation der AXIS P5512 PTZ-Dome-Netzwerk-Kamera in einem Netzwerk beschrieben. Alle weiteren Hinweise zur Verwendung des Produkts finden Sie im Benutzerhandbuch, das auf der mitgelieferten CD oder auf unserer Website unter „www.axis.com“ zur Verfügung steht.

Installationsschritte

1. Prüfen Sie, ob alle in der nachfolgenden Liste aufgeführten Komponenten vorhanden sind.
2. Sehen Sie sich die Hardwareübersicht an. Siehe Seite 48.
3. Installieren Sie die Hardware.
 - Vorbereitung der Installation, siehe Seite 50.
 - Deckenmontage, siehe Seite 51.
 - Hängedeckenmontage, siehe Seite 52.
 - Montagehalterung (Sonderzubehör), siehe Seite 54.
4. Weisen Sie eine IP-Adresse zu. Siehe Seite 55.
5. Legen Sie das Kennwort fest. Siehe Seite 58.

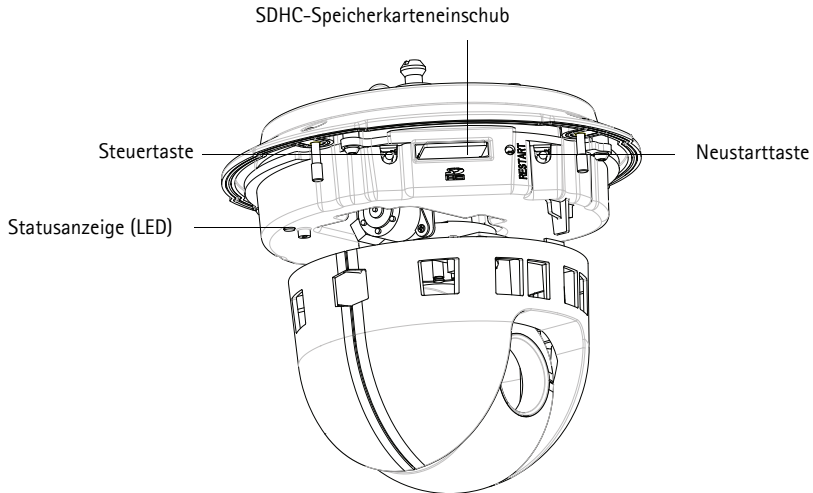
Wichtig!
Verwenden Sie dieses Produkt unter Beachtung der geltenden rechtlichen Bestimmungen.

1 Lieferumfang

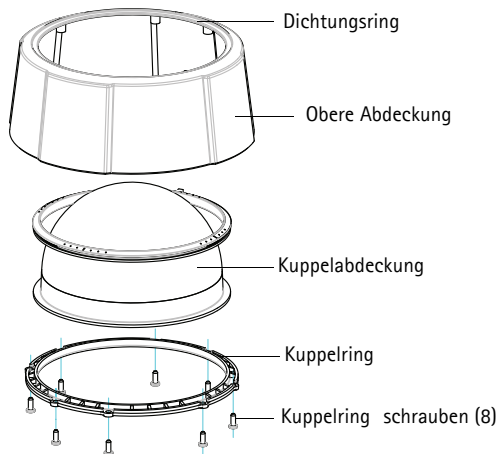
Komponente	Modelle/Varianten/Anmerkungen
Netzwerk-Kamera	AXIS P5512
Kuppelabdeckungen	Transparente Klarglasabdeckung (vormontiert) Getönte transparente Abdeckung
Montagesatz	Montagesatz für die Befestigung an Decken und in Hängedecken Resitorx-Schraubendreher
CD-ROM	CD für AXIS-Netzwerkvideoprodukte einschließlich Produktdokumentation, Installationswerkzeugen und anderer Software.
Gedruckte Dokumente	AXIS P5512 Netzwerk-Kamera-Installationsanleitung (dieses Dokument) Axis-Garantieerklärung, Bohrschablone, zwei zusätzliche Aufkleber mit Seriennummer AVHS-Authentifizierungsschlüssel
Optionales Zubehör	AXIS T91A Montagezubehör Mehrfachanschlusskabel zum Anschluss von E/A- und Audiogeräten sowie für die Stromversorgung Weitere Informationen zu Zubehör für die Stromversorgung und Außengehäusen finden Sie unter www.axis.com

2 Hardwareübersicht

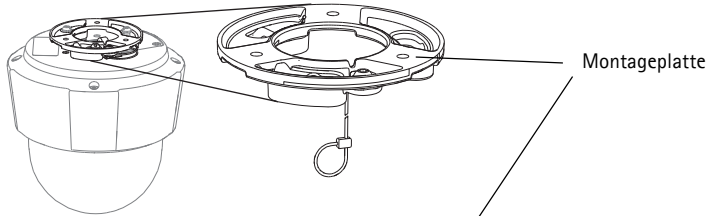
Kameraeinheit



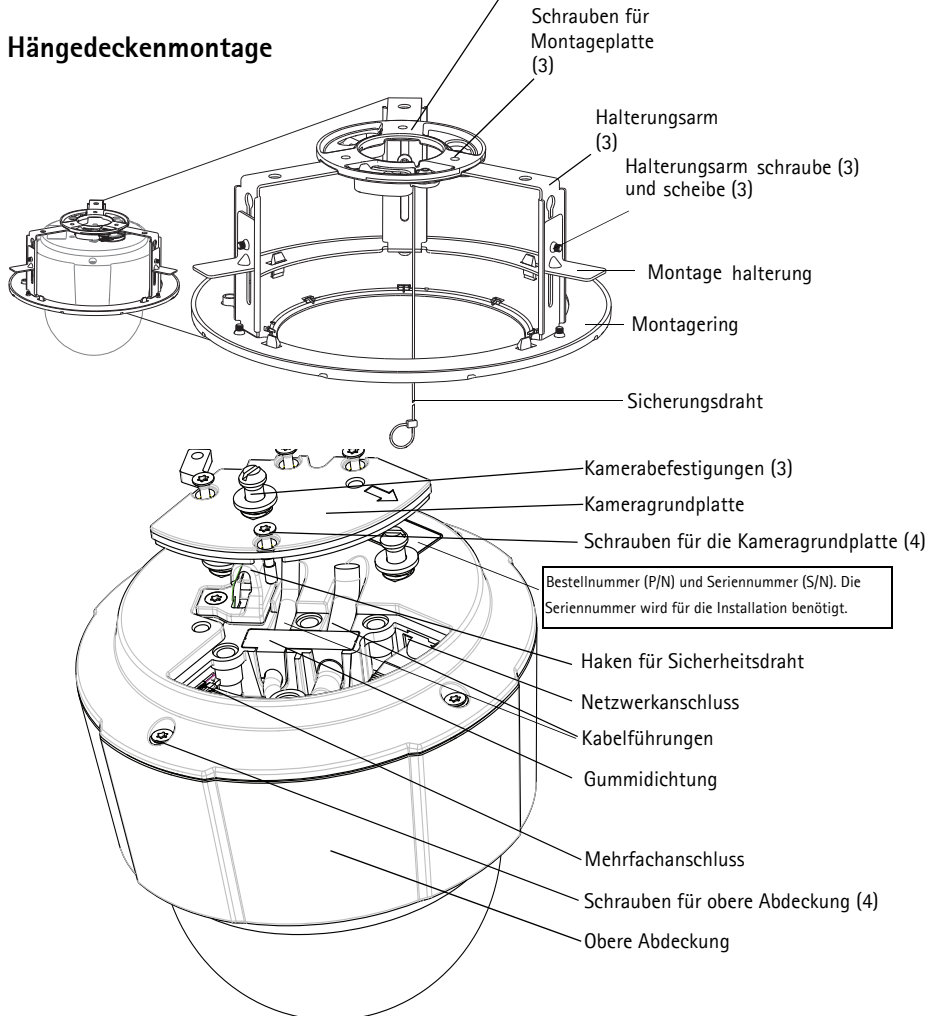
Kuppelabdeckung



Deckenmontage



Hängedeckenmontage



3 Installation der Hardware

- ! **WICHTIG!** - Um die AXIS P5512 im Freien zu verwenden, muss sie in einem zugelassenen Außengehäuse installiert werden. Auf unserer Homepage unter „www.axis.com“ finden Sie weitere Informationen über Außengehäuse.

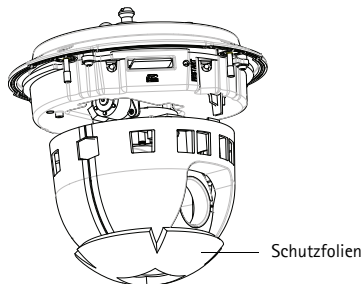
Vorbereitung der Installation

Lesen Sie zunächst alle Anweisungen, bevor Sie mit der Installationsvorbereitung der AXIS P5512 beginnen. Bei einigen Schritten muss die obere Abdeckung abgenommen werden, sodass es sinnvoll ist, diese Schritte zusammen durchzuführen.

- Entfernen Sie vor der Installation der Kamera die Schutzfolien (siehe Anweisungen unten).
- Anweisungen zum Austausch der Kuppelabdeckung finden Sie unter *Austauschen der klaren/getönten Kuppelabdeckung (optional)*, auf Seite 51.
- Anweisungen zum Entfernen der oberen Abdeckung und Einsetzen einer SD-Speicherkarte finden Sie unter *Installation einer SD-Speicherkarte (optional)*, auf Seite 51.

Entfernen der Schutzfolien

1. Lösen Sie die vier Schrauben der oberen Abdeckung und nehmen Sie die Abdeckung ab. Siehe Abbildung auf Seite 49.
2. Entfernen Sie die Schutzfolien.



3. Zum Austausch der klaren bzw. getönten Kuppelabdeckung oder Einsetzen einer SD-Speicherkarte führen Sie die Anweisungen auf Seite 51 aus.
4. Bringen Sie die obere Abdeckung wieder an der ursprünglichen Position an und ziehen Sie zuerst die diagonal gegenüberliegenden Schrauben (Anzugsmoment < 0,7 Nm) und dann die anderen beiden Schrauben fest.

Austauschen der klaren/getönten Kuppelabdeckung (optional)

1. Lösen Sie die vier Schrauben der oberen Abdeckung und nehmen Sie die Abdeckung ab. Siehe Abbildung auf Seite 49.
2. Lösen Sie die 8 Schrauben des Kuppelrings und entfernen Sie den Kuppelring von der oberen Abdeckung.
3. Bringen Sie den Kuppelring und die Kuppelabdeckung an der oberen Abdeckung an und befestigen Sie diese, indem Sie die acht Schrauben anziehen (Anzugsmoment 0,4 - 0,6 Nm).
4. Zur Installation einer SD-Speicherkarte führen Sie die unter *Installation einer SD-Speicherkarte (optional)* beschriebenen Schritte aus.
5. Bringen Sie die obere Abdeckung wieder an der ursprünglichen Position an und ziehen Sie zuerst die diagonal gegenüberliegenden Schrauben (Anzugsmoment 0,7 Nm) und dann die anderen beiden Schrauben fest.

Hinweis:

Achten Sie darauf, die Kuppelabdeckung nicht zu zerkratzen oder zu beschädigen. Säubern Sie die Kuppelabdeckung mit einem weichen Tuch, bevor Sie sie an der Kameraeinheit anbringen.

Installation einer SD-Speicherkarte (optional)

1. Lösen Sie die vier Schrauben der oberen Abdeckung und nehmen Sie die Abdeckung ab. Siehe Abbildung auf Seite 49.
2. Schieben Sie eine SD-Speicherkarte (separat erhältlich) in den SDHC-Speicherkartenschacht.
3. Bringen Sie die obere Abdeckung wieder an der ursprünglichen Position an und ziehen Sie die Schrauben fest.

Hinweis:

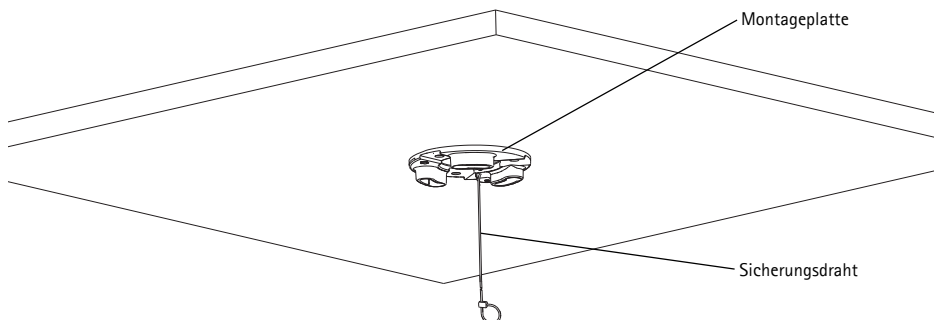
Die SD-Speicherkarte wird automatisch aktiviert, wenn Sie sie in den SDHC-Speicherkarteneinschub einsetzen. Bevor Sie die SD-Speicherkarte entfernen, müssen Sie sie über die Webseiten der Kamera deaktivieren. Wählen Sie hierzu **Setup > System Options > Storage > SD Card** (Setup > Systemoptionen > Speicher > SD-Speicherkarte) und klicken Sie auf **Unmount** (Deaktivieren). Weitere Informationen hierzu finden Sie im Benutzerhandbuch, das sich auf der mitgelieferten CD für Axis-Netzwerkvideoprodukte befindet und auf der Website unter „www.axis.com“ erhältlich ist.

Deckenmontage

Zur Befestigung der Montageplatte:

1. Markieren Sie die Position der Bohrlöcher mithilfe der mitgelieferten Bohrschablone. Die verwendete Bohrspitzen, Schrauben und Dübel müssen für das Deckelmaterial geeignet sein.

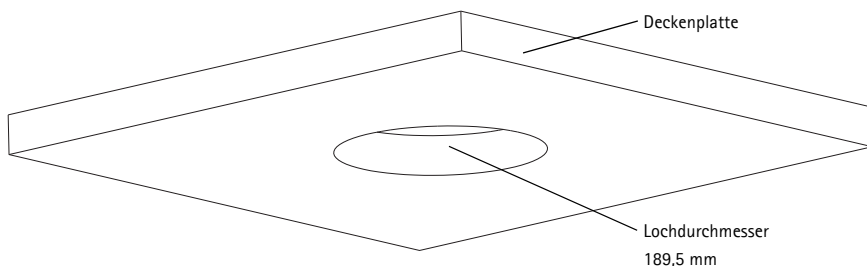
2. Bringen Sie die Montageplatte an der Decke an.



3. Lösen Sie die vier Schrauben der Kameragrundplatte und nehmen Sie die Grundplatte ab. Siehe Abbildung auf Seite 49.
4. Verbinden Sie das Netzkabel und bei Bedarf das Mehrfachanschlusskabel mit der Netzwerk-Kamera. Achten Sie darauf, die Kabel beim Anschließen nicht zu beschädigen. Vergewissern Sie sich, dass die Gummidichtungslöcher auf die Kabelführungen ausgerichtet sind und entfernen Sie ggf. das herausnehmbare Teil für das Mehrfachanschlusskabel aus der Gummidichtung.
5. Bringen Sie die Kameragrundplatte wieder an der ursprünglichen Position an und ziehen Sie die Schrauben fest.
6. Sichern Sie die Kamera mit dem mitgelieferten Sicherheitsdraht.
7. Schieben Sie die Kamerabefestigungen an der Netzwerk-Kamera in die Aussparungen in der Montageplatte und drehen Sie die Kameraeinheit.

Hängedeckenmontage

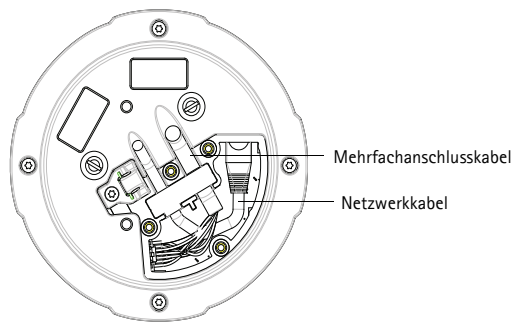
1. Nehmen Sie die Deckenplatte ab, in der die Halterung für Hängedecken angebracht werden soll.
2. Markieren Sie mithilfe der mitgelieferten Schablone die Position des 189,5-mm-Lochs in der Deckenplatte. Schneiden Sie das Loch entlang der Schablone aus.



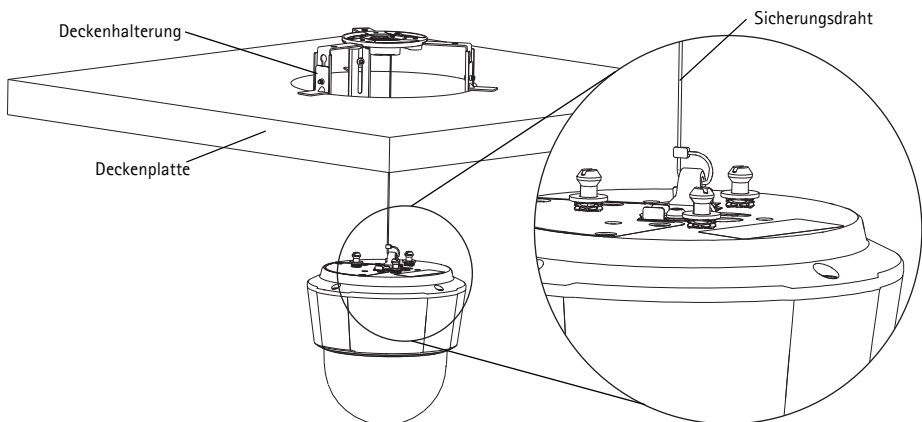
Hinweise:

- Das Gesamtgewicht von Kamera und Deckenhalterung beträgt etwa 2,3 kg. Vergewissern Sie sich, dass das Deckenmaterial stabil genug ist, um dieses Gewicht zu tragen.

- Die Stärke der Deckplatte sollte 5 mm bis 60 mm betragen.
3. Setzen Sie die Deckenhalterung zusammen.
 4. Bringen Sie die Deckenhalterung in der Deckenplatte an. Siehe Abbildung auf Seite 53.
 5. Ziehen Sie die Schrauben des Halterungsarms mit einem Torx-Schraubenzieher für Torx 20-Schrauben fest.
 6. Lösen Sie die vier Schrauben der Kameragrundplatte und nehmen Sie die Grundplatte ab. Siehe Abbildung auf Seite 49.
 7. Entfernen Sie die Kabeldichtung und ziehen Sie das Netzwerkkabel durch. Entfernen Sie den Kabelstopfen von der Kabeldichtung, um gegebenenfalls das Mehrfachanschlusskabel durchzuziehen. Achten Sie darauf, die Kabel beim Anschließen an die Netzwerk-Kamera nicht zu beschädigen.

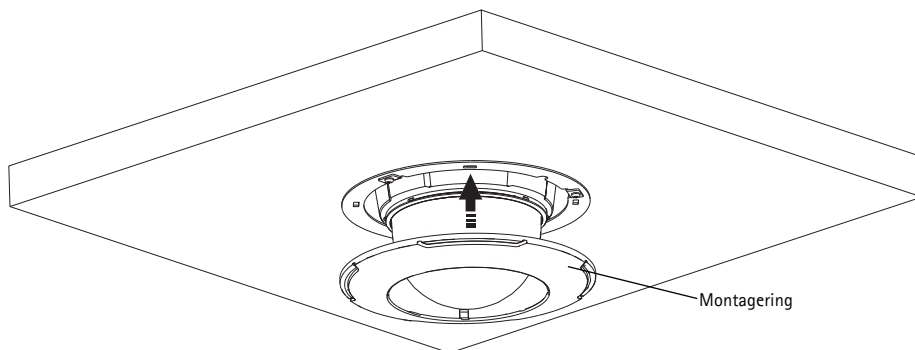


8. Bringen Sie die Kameragrundplatte wieder an der ursprünglichen Position an und ziehen Sie die Schrauben fest.
9. Sichern Sie die Kamera mit dem mitgelieferten Sicherheitsdraht.



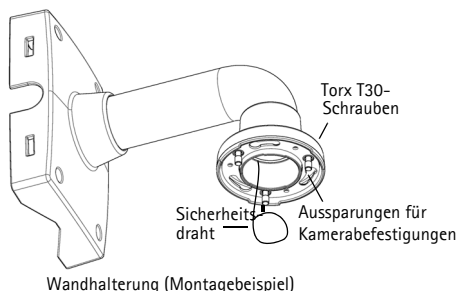
10. Schieben Sie die Kamerabefestigungen an der Netzwerk-Kamera in die Aussparungen in der Montageplatte und drehen Sie die Kameraeinheit.

11. Montieren Sie die Deckenplatte mit der montierten Kamera in die Decke.
12. Platzieren Sie den Montagering über die Deckenhalterung und rasten Sie sie ein.



Montagehalterung (Sonderzubehör)

1. Montieren Sie die gewünschte Halterung gemäß den im Lieferumfang des Montagesatzes enthaltenen Anweisungen. Falls das Bohren von Löchern erforderlich ist, stellen Sie sicher, dass die Bohrer Spitzen, Schrauben und Dübel für den Baustoff geeignet sind.
2. Lösen Sie die vier Schrauben der Kameragrundplatte und nehmen Sie die Grundplatte ab. Siehe Abbildung auf Seite 49.
3. Führen Sie das Netzkabel und bei Bedarf das Mehrfachanschlusskabel durch die Löcher in der Halterung.
4. Haken Sie die Kamera in den Sicherheitsdraht an der Halterung ein.
5. Verbinden Sie das Netzkabel und bei Bedarf das Mehrfachanschlusskabel mit der Netzwerk-Kamera.
6. Bringen Sie die Kameragrundplatte wieder an der ursprünglichen Position an.
7. Schieben Sie die Kamerabefestigungen an der Netzwerk-Kamera in die Aussparungen in der Halterung und drehen Sie die Kameraeinheit.
8. Befestigen Sie die Netzwerk-Kamera an der Halterung, indem Sie die drei Schrauben (Torx T30) anziehen.





4 Zuweisen einer IP-Adresse

In die meisten Netzwerke ist heutzutage ein DHCP-Server eingebunden, der angeschlossenen Geräten automatisch IP-Adressen zuweist. Wenn Ihr Netzwerk über keinen DHCP-Server verfügt, wird für die Netzwerk-Kamera die Standard-IP-Adresse 192.168.0.90 verwendet.

Zum manuellen Zuweisen einer statischen IP-Adresse stehen unter Windows die Programme **AXIS IP Utility** und **AXIS Camera Management** zur Verfügung. Verwenden Sie die Methode, die für die gewünschte Anzahl der zu installierenden Kameras geeignet ist.

Beide Anwendungen stehen kostenlos auf der mitgelieferten CD für Axis-Netzwerkvideoprodukte zur Verfügung oder können unter „www.axis.com“ heruntergeladen werden.

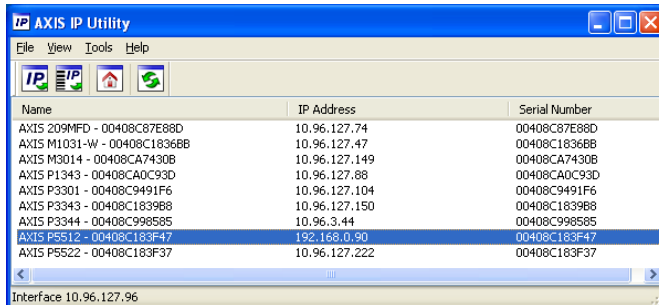
Methode	Empfohlen für	Betriebssystem
 AXIS IP Utility Siehe Seite 56	Einzelne Kamera Kleine Installationen	Windows
 AXIS Camera Management Siehe Seite 57	Mehrere Kameras Große Installationen Installation in einem anderen Subnetz	Windows 2000 Windows XP Pro Windows 2003 Server Windows Vista Windows 7

Hinweise:

- Falls Sie die IP-Adresse nicht zuweisen können, müssen ggf. die Einstellungen der Firewall überprüft werden.
- Weitere Informationen zu alternativen Methoden zum Festlegen der IP-Adresse, z. B. in anderen Betriebssystemen, finden Sie auf Seite 61.

AXIS IP Utility – einzelne Kamera/kleine Installation

AXIS IP Utility erkennt automatisch im Netzwerk vorhandene Axis-Geräte und zeigt diese an. Die Anwendung kann außerdem zur manuellen Zuweisung einer statischen IP-Adresse verwendet werden.




Beachten Sie, dass sich der Computer, auf dem AXIS IP Utility ausgeführt wird, und die Netzwerk-Kamera in demselben Netzwerksegment (physischen Subnetz) befinden müssen.

Automatische Erkennung

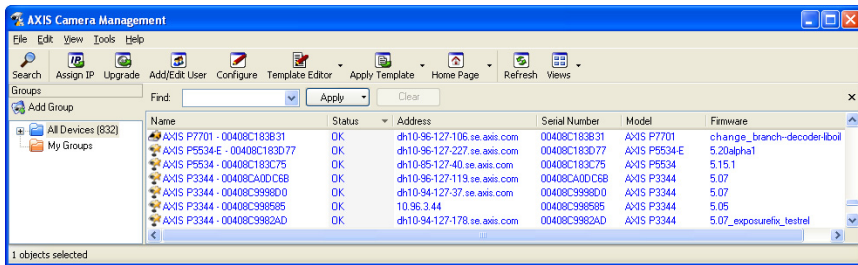
1. Stellen Sie sicher, dass die Netzwerk-Kamera an das Netzwerk und an die Stromversorgung angeschlossen ist.
2. Starten Sie AXIS IP Utility.
3. Doppelklicken Sie auf das Symbol der Kamera, um die entsprechende Startseite zu öffnen.
4. Anweisungen zum Festlegen des Kennworts finden Sie auf Seite 58.

Manuelle Zuweisung der IP-Adresse (optional)

1. Wählen Sie eine nicht zugewiesene IP-Adresse im selben Netzwerksegment, in dem sich Ihr Computer befindet.
2. Wählen Sie die Netzwerk-Kamera in der Liste aus.
3. Klicken Sie auf die Schaltfläche **Assign new IP address to the selected device**  (Zuweisung einer neuen IP-Adresse an das ausgewählte Gerät) und geben Sie die IP Adresse ein.
4. Klicken Sie auf die Schaltfläche **Assign** (Zuweisen) und befolgen Sie die angezeigten Anweisungen. Beachten Sie, dass die Kamera innerhalb von 2 Minuten neu gestartet werden muss, um die neue IP-Adresse festzulegen.
5. Klicken Sie auf die Schaltfläche **Home Page** (Startseite), um auf die Webseiten der Kamera zuzugreifen.
6. Anweisungen zum Festlegen des Kennworts finden Sie auf Seite 58.

AXIS Camera Management – mehrere Kameras/große Installationen


Mit AXIS Camera Management können automatisch mehrere Axis-Geräte erkannt, der Verbindungsstatus angezeigt, die Firmware-Aktualisierungen verwaltet und IP-Adressen festgelegt werden.



Automatische Erkennung

1. Stellen Sie sicher, dass die Kamera an das Netzwerk und die Stromversorgung angeschlossen ist.
2. Starten Sie AXIS Camera Management. Wenn die Netzwerk-Kamera im Fenster angezeigt wird, klicken Sie mit der rechten Maustaste darauf und wählen Sie **Live View Home Page** (Homepage der Live-Ansicht).
3. Anweisungen zum Festlegen des Kennworts finden Sie auf Seite 58.


Zuweisen einer IP-Adresse für ein einzelnes Gerät

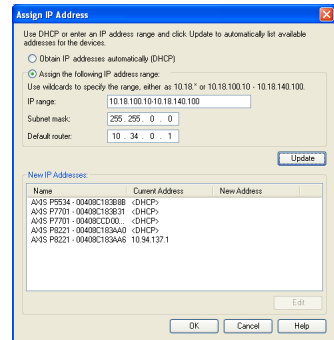
1. Wählen Sie in AXIS Camera Management die Netzwerk-Kamera aus und klicken Sie auf die Schaltfläche **Assign IP** (IP-Adresse zuweisen). 
2. Wählen Sie die Option **Assign the following IP address** (Folgende IP-Adresse zuweisen) und geben Sie die IP-Adresse, die Subnetzmaske und den Standardrouter für das Gerät ein.
3. Klicken Sie auf **OK**.



Zuweisen von IP-Adressen für mehrere Geräte

AXIS Camera Management beschleunigt die Zuweisung von IP-Adressen für mehrere Geräte, indem IP-Adressen aus einem angegebenen Bereich vorgeschlagen werden.

1. Wählen Sie die zu konfigurierenden Geräte aus (es können auch unterschiedliche Modelle gewählt werden) und klicken Sie auf die Schaltfläche **Assign IP** (IP-Adresse zuweisen). 
2. Wählen Sie die Option **Assign the following IP address range** (Folgenden IP-Adressbereich zuweisen) und geben Sie den IP-Adressbereich, die Subnetzmaske und den Standardrouter für die Geräte ein.
3. Klicken Sie auf **Update** (Aktualisieren). Die vorgeschlagenen IP-Adressen werden in der Liste **New IP Addresses** (Neue IP-Adressen) aufgeführt. Wenn Sie eine IP-Adresse ändern möchten, wählen Sie das Gerät aus und klicken Sie auf die Schaltfläche **Edit** (Bearbeiten).
4. Klicken Sie auf **OK**.



5 Festlegen des Kennworts

Für den Zugriff auf das Produkt muss das Kennwort für den standardmäßigen Administrator-Benutzer **root** festgelegt werden. Beim erstmaligen Zugriff auf die Netzwerk-Kamera wird das Dialogfeld **Configure Root Password** (Root-Kennwort konfigurieren) angezeigt. Dort kann das Kennwort festgelegt werden.

Um ein Abhören der Netzwerkkommunikation während der Festlegung des Root-Kennworts zu vermeiden, können Sie diesen Vorgang über eine verschlüsselte HTTPS-Verbindung durchführen, die ein HTTPS-Zertifikat erfordert.

Hinweis: Das Protokoll HTTPS (Hypertext Transfer Protocol over SSL) wird verwendet, um den Datenverkehr zwischen Webbrowsern und Servern zu verschlüsseln. Das HTTPS-Zertifikat steuert den verschlüsselten Informationsaustausch.

Zum Festlegen des Kennworts über eine standardmäßige HTTP-Verbindung geben Sie es direkt in das erste unten abgebildete Dialogfeld ein.

Um das Kennwort über eine verschlüsselte HTTPS-Verbindung festzulegen, führen Sie die folgenden Schritte aus:

1. Klicken Sie auf die Schaltfläche **Create self-signed certificate** (Selbstsigniertes Zertifikat erstellen).
2. Geben Sie die angeforderten Informationen ein und klicken Sie auf **OK**. Das Zertifikat wird erstellt, und das Kennwort kann jetzt sicher festgelegt werden. Der gesamte Datenverkehr der Netzwerk-Kamera wird ab diesem Zeitpunkt verschlüsselt.

- Geben Sie ein Kennwort ein, und wiederholen Sie die Eingabe, um die korrekte Schreibweise zu bestätigen. Klicken Sie auf **OK**. Damit ist das Kennwort konfiguriert.

Klicken Sie zum Herstellen einer HTTPS-Verbindung zunächst auf diese Schaltfläche.

Um das Kennwort direkt über eine unverschlüsselte Verbindung zu konfigurieren, geben Sie es hier ein.

- Geben Sie den Benutzernamen „root“ wie erforderlich ein.
Hinweis:Der standardmäßige Administrator-Benutzername „root“ kann nicht gelöscht werden.
- Geben Sie das zuvor festgelegte Kennwort ein und klicken Sie auf "OK".
Hinweis:Wenn Sie das Kennwort vergessen haben, muss die Kamera auf die Werkseinstellungen zurückgesetzt werden. Siehe Seite 66.

Zugriff auf den Videostrom

Die Seite „Live View“ (Live-Ansicht) der Netzwerk-Kamera wird geöffnet. Sie enthält Links zu Setup-Tools, mit denen Sie die Kamera Ihren Anforderungen entsprechend anpassen können.

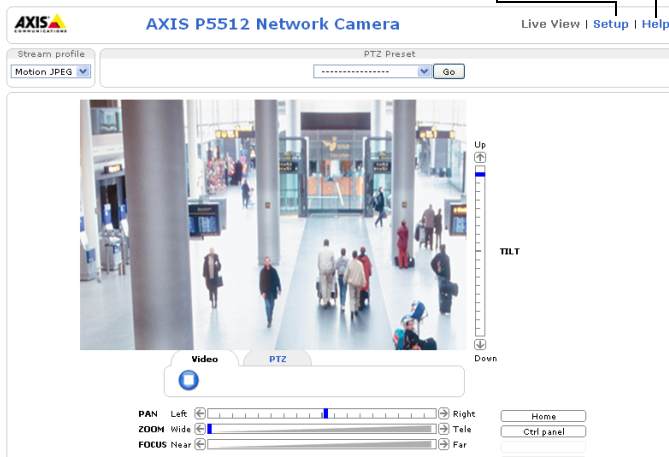
Klicken Sie bei Bedarf auf Yes (Ja), um AMC (AXIS Media Control) zu installieren. Nach Abschluss der Installation können Sie Videostreams in Internet Explorer anzeigen. Hierzu müssen Sie über Administratorrechte für den Computer verfügen.

Falls nötig, klicken Sie auf den Link, um fehlende Decoder zu installieren.

Hinweis:Für die Installation von AMC unter Windows 7 bzw. Windows Vista müssen Sie Internet Explorer als Administrator ausführen. Klicken Sie mit der rechten Maustaste auf das Internet Explorer-Symbol und wählen Sie „Als Administrator ausführen“.

Setup: Alle zur benutzerspezifischen Konfiguration der Kamera notwendigen Werkzeuge.

Hilfe: Zum Aufrufen der Online-Hilfe für die Kamera.



Andere Methoden zum Festlegen der IP-Adresse

Diese Tabelle bietet einen Überblick über weitere Methoden, die IP-Adresse festzulegen bzw. zu ermitteln. Alle Methoden sind standardmäßig aktiviert und können deaktiviert werden.

	Verwendung im Betriebssystem	Hinweise
UPnP™	Windows	Wenn die Funktion auf dem Computer aktiviert ist, wird die Kamera automatisch erkannt und zu „Netzwerkumgebung“ hinzugefügt.
Bonjour	MAC OS X (10.4 oder höher)	Kann nur bei Browsern verwendet werden, die Bonjour unterstützen. Navigieren Sie zum Bonjour-Lesezeichen Ihres Browsers (z. B. Safari) und klicken Sie auf den Link, um auf die Webseiten der Kamera zu gelangen.
AXIS Dynamic DNS Service	Alle	Ein kostenloser Service von Axis, mit dem Sie Ihre Kamera schnell und einfach installieren können. Eine Internetverbindung ohne HTTP-Proxyserver ist Voraussetzung. Weitere Informationen hierzu finden Sie auf „www.axiscam.net“.
ARP/Ping	Alle	Siehe unten. Der Befehl muss innerhalb von 2 Minuten erfolgen, nachdem die Kamera an das Stromnetz angeschlossen wurde.
DHCP	Alle	Hinweise zum Anzeigen der Administrationsseiten des DHCP-Servers im Netzwerk finden Sie in der Serverdokumentation.

AXIS Video Hosting System (AVHS)

Die Kamera kann auch an einen AVHS-Service für gehostetes Video angeschlossen werden. Wenn Sie einen AVHS-Service abonniert haben, befolgen Sie die Anweisungen im Installationshandbuch des Diensteanbieters. Weitere Informationen zu lokalen AVHS-Diensteanbietern finden Sie unter „www.axis.com/hosting“.

Der Authentifizierungsschlüssel des Kameraeigentümers befindet sich auf der Rückseite dieses Dokuments. Der Schlüssel ist der eindeutigen Seriennummer (S/N) der Kamera zugeordnet, die sich oben auf dem Etikett befindet.

Hinweis:

Bewahren Sie den Schlüssel auf, um ihn später verfügbar zu haben.

Zuweisen der IP-Adresse per ARP/Ping

1. Wählen Sie eine IP-Adresse aus dem Netzwerksegment, in dem sich auch Ihr Computer befindet.
2. Suchen Sie die Seriennummer (S/N) auf dem Produktaufkleber an der Kamera.
3. Öffnen Sie auf Ihrem Computer die Eingabeaufforderung und geben Sie die folgenden Befehle ein:

Windows-Syntax:	Beispiel für Windows:
arp -s <IP-Adresse> <Seriennummer> ping -l 408 -t <IP-Adresse>	arp -s 192.168.0.125 00-40-8c-18-10-00 ping -l 408 -t 192.168.0.125
Syntax unter UNIX/Linux/Mac:	Beispiel für UNIX/Linux/Mac:
arp -s <IP-Adresse> <Seriennummer> temp ping -s 408 <IP-Adresse>	arp -s 192.168.0.125 00:40:8c:18:10:00 temp ping -s 408 192.168.0.125

4. Stellen Sie sicher, dass das Netzkabel mit der Kamera verbunden ist und starten Sie die Kamera bzw. starten Sie diese neu, indem Sie die Stromversorgung unterbrechen und wiederherstellen.
5. Schließen Sie die Befehlszeile, sobald „Reply from 192.168.0.125:“ ...' oder eine ähnliche Meldung erscheint.
6. Starten Sie einen Browser, geben Sie im Adressfeld „http://<IP-Adresse>“ ein und drücken Sie die Eingabetaste auf der Tastatur.

Hinweise:

- So öffnen Sie die Eingabeaufforderung unter Windows: Wählen Sie im Startmenü die Option „Ausführen...“ aus und geben Sie „cmd“ ein. Klicken Sie auf „OK“.
- Klicken Sie zum Eingeben des Befehls „ARP“ unter Windows 7/Windows Vista mit der rechten Maustaste auf das Befehlszeilensymbol und wählen Sie Als Administrator ausführen.
- Verwenden Sie zum Eingeben des Befehls „ARP“ unter Mac OS X das Dienstprogramm „Terminal“, das Sie unter „Programme > Dienstprogramme“ finden.

Geräteanschlüsse

Netzwerkanschluss – RJ-45-Ethernetanschluss. Unterstützt PoE (Power over Ethernet, IEEE 802.3af Class 3). Zur Einhaltung der Vorschriften über die elektromagnetische Verträglichkeit müssen abgeschirmte Kabel verwendet werden.

Mehrfachanschluss – Siehe *Mehrfachanschlusskabel (separat erhältlich)*, auf Seite 64 – Anschluss für externe Geräte:

- Audio-Geräte
- Eingabe-/Ausgabegeräte
- AC/DC-Netzteil

Wenn Sie externe Geräte an die AXIS P5512 anschließen, benötigen Sie ein Mehrfachanschlusskabel, damit der IP51-Schutz erhalten bleibt. Das Mehrfachanschlusskabel können Sie von Ihrem Axis-Händler erwerben. Weitere Informationen hierzu finden Sie im Benutzerhandbuch, das sich auf der mitgelieferten CD für Axis-Netzwerkvideoprodukte befindet und auf der Website unter „www.axis.com“ erhältlich ist.

SDHC-Speicherkarteneinschub – Wenn Sie Bilder lokal in der Netzwerk-Kamera speichern möchten, benötigen Sie eine SD-Speicherkarte mit normaler oder hoher Kapazität (separat erhältlich). Zum Einsetzen bzw. Entfernen der SD-Speicherkarte, müssen Sie die obere Abdeckung der Kamera abnehmen. Weitere Informationen hierzu finden Sie unter *Installation einer SD-Speicherkarte (optional)*, auf Seite 51.

Hinweis:

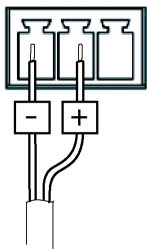
Bevor Sie die SD-Speicherkarte entfernen, müssen Sie diese deaktivieren, um zu verhindern, dass die aufgezeichneten Daten beschädigt werden. Wählen Sie zum Deaktivieren der SD-Speicherkarte die Option **Setup > System Options > Storage > SD Card** (Setup > Systemoptionen > Speicher > SD-Speicherkarte) und klicken Sie auf **Unmount** (Deaktivieren). Weitere Informationen hierzu finden Sie im Benutzerhandbuch, das sich auf der mitgelieferten CD für Axis-Netzwerkvideoprodukte befindet und auf der Website unter „www.axis.com“ erhältlich ist.

Mehrfachanschlusskabel (separat erhältlich)

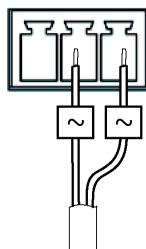
Wenn Sie externe Geräte an die AXIS P5512 anschließen, benötigen Sie ein Mehrfachanschlusskabel, damit der IP51-Schutz erhalten bleibt. Das Mehrfachanschlusskabel können Sie von Ihrem Axis-Händler erwerben.

Schließen Sie das Mehrfachanschlusskabel an den Mehrfachanschluss der Kamera an. Eine Abbildung finden Sie auf Seite 49 und Anweisungen auf Seite 51 und Seite 52. Das Kabel verfügt über die folgenden Anschlüsse:

Netzanschluss – 3-poliger Anschlussblock für Netzeingang.



Netzeingang, 24–34 V Gleichstrom
AXIS P5512: max. 15,7 W

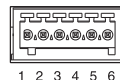


Netzeingang, 20–24 V Wechselstrom
AXIS P5512: max. 23,5 VA

Audioeingang (rosa) – 3,5-mm-Anschluss für ein Monomikrofon oder ein Monosignal (linker Kanal wird von einem Stereosignal benutzt).

Audioausgang (grün) – 3,5-mm-Audio-Ausgang (Leistungsstufe) zum Anschließen einer Rundrufanlage (PA) oder eines Aktivlautsprechers mit integriertem Verstärker. Auch ein Kopfhörer kann angeschlossen werden. Für den Audioausgang muss ein Stereostecker benutzt werden.

E/A-Anschluss – Wird z. B. für Bewegungserkennung, Ereignisauslösung, Zeitrafferaufnahmen, Alarmbenachrichtigungen usw. verwendet. Außer den Kontakten für eine Zusatzstromversorgung und Masse verfügt der E/A-Anschluss noch über 4 weitere Kontakte, die entweder als Eingang oder als Ausgang konfiguriert werden können. Diese Kontakte stellen die Schnittstelle für Folgendes bereit:



- **Digitalausgang** – Zum Anschluss externer Geräte wie Relais und LEDs. Angeschlossene Geräte können über die VAPIX® API (Application Programming Interface), über die Ausgabeschaltflächen auf der Seite **Live View** (Live-Ansicht) oder durch einen **Ereignistyp** aktiviert werden. Der Ausgang wird als aktiv [siehe **Events > Port Status** (Ereignisse > Port-Status)] angezeigt, wenn die Alarmvorrichtung eingeschaltet ist.

- Digitaler Eingang – Alarmeingang für den Anschluss von Geräten, die zwischen geöffnetem und geschlossenem Schaltkreis wechseln können, z. B.: PIR-Kameras, Tür-Fensterkontakte und Glasbruchmelder. Bei Empfang eines Signals ändert sich der Status und der Eingang wird aktiviert (**Events > Port Status** [Ereignisse > Port-Status]).

Funktion	Pol	Hinweise	Spezifikationen
Masse (GND)	1	Masse	
3.3 V Gleichstrom	2	Kann für die Stromversorgung von Zusatzgeräten verwendet werden. Hinweis: Dieser Anschluss kann <u>nur</u> für die Stromversorgung verwendet werden.	Max. Stromstärke = 250 mA
Konfigurierbar (Ein- oder Ausgang)	3-6	Digitaleingang – Zum Aktivieren mit dem Massekontakt verbinden; zum Deaktivieren nicht anschließen.	0 bis +40 V DC
		Digitalausgang – Interner Anschluss an Masse bei Aktivierung, bei Deaktivierung nicht angeschlossen. Zum Schutz vor Spannungsspitzen muss bei der Kombination mit einem Relais eine Diode zur Last geschaltet werden.	Max. Stromstärke = 100 mA Max. Spannung = +40 V Gleichstrom

AXIS P5512 Statusanzeigen

Farbe	Bedeutung
Leuchtet nicht	Konstante Verbindung/Normalbetrieb
Gelb	Leuchtet konstant bei der Systeminitialisierung und beim Zurücksetzen auf die Werkseinstellungen. Blinkt bei der Firmware-Aktualisierung.
Gelb und Rot	Keine Netzwerkverbindung vorhanden
Rot	Firmware-Aktualisierung fehlgeschlagen
Grün	Konstant für 10 Sek. nach erfolgreichem Neustart

Hinweis:

Weitere Informationen zu den AXIS P5512 Statusanzeigen finden Sie im Benutzerhandbuch, das sich auf der mitgelieferten CD für Axis-Netzwerkvideoprodukte befindet und auf der Website unter „www.axis.com“ erhältlich ist.

Wiederherstellen der werkseitigen Standardeinstellungen

Wenn Sie die Kamera auf die Werkseinstellungen zurücksetzen möchten, drücken Sie die Steuertaste und die Neustarttaste an der Seite der Kamera (siehe *Hardwareübersicht*, auf Seite 48) wie im Folgenden beschrieben:

So setzen Sie mithilfe der Steuer- und der Neustarttaste sämtliche Parameter einschließlich der IP-Adresse auf die werkseitigen Standardeinstellungen zurück:

1. Nehmen Sie die obere Abdeckung ab, siehe *Entfernen der Schutzfolien*, auf Seite 50.
2. Drücken Sie gleichzeitig die Steuer- und die Neustarttaste und halten Sie die Tasten gedrückt.
3. Lassen Sie die Neustarttaste los und halten Sie die Steuertaste weiterhin gedrückt.
4. Halten Sie die Steuertaste gedrückt, bis die Statusanzeige gelb leuchtet (dies kann bis zu 15 Sekunden dauern).
5. Lassen Sie die Steuertaste los.
6. Wenn die Statusanzeige grün wird (was bis zu einer Minute lang dauern kann), ist der Vorgang abgeschlossen, und die Kamera wurde zurückgesetzt. Die Kamera hat jetzt die Standard-IP-Adresse 192.168.0.90.
7. Bringen Sie die obere Abdeckung wieder an der ursprünglichen Position an.
8. Legen Sie die IP-Adresse erneut fest. Wenden Sie dabei eines der unter *Zuweisen einer IP-Adresse*, auf Seite 55 beschriebenen Verfahren an.

Die Parameter können auch über die Weboberfläche auf die werkseitigen Einstellungen zurückgesetzt werden. Weitere Informationen hierzu finden Sie in der Online-Hilfe und im Benutzerhandbuch auf der mitgelieferten CD für Axis-Netzwerkvideoprodukte.

Zugriff auf die Kamera über das Internet

Sobald die Netzwerk-Kamera installiert ist, können Sie in Ihrem lokalen Netzwerk (LAN) darauf zugreifen. Um auch über das Internet auf die Kamera zugreifen zu können, müssen Sie die Netzwerk-Router so konfigurieren, dass diese den entsprechenden eingehenden Datenverkehr zulassen, was üblicherweise durch Zuweisung eines bestimmten Ports geschieht.

- HTTP-Port (standardmäßig Port 80) für die Anzeige und Konfiguration
- RTSP-Port (standardmäßig Port 554) für die Anzeige von H.264-Videostreamen

Ausführliche Informationen dazu finden Sie in der Dokumentation des Routers. Weitere Informationen zu diesem und zu anderen Themen erhalten Sie auf der Axis Support-Website unter „www.axis.com/techsup“.

Weitere Informationen

Das Benutzerhandbuch ist auf der Axis Website unter <http://www.axis.com> erhältlich und befindet sich auch auf der mitgelieferten CD für Axis-Netzwerkvideoprodukte.

Hinweis!

Unter „www.axis.com/techsup“ finden Sie Firmware-Aktualisierungen für Ihre Netzwerk-Kamera. Informationen zur aktuellen Firmware-Version finden Sie unter „Setup > Info“.

Precauzioni

Leggere per intero e con attenzione questa Guida all'installazione prima di installare il prodotto. Conservare la Guida all'installazione per ulteriori riferimenti.

ATTENZIONE!

- Quando si trasporta un prodotto Axis, utilizzare l'imballo originale o un imballo equivalente per evitare danni al prodotto.
- Evitare di esporre il prodotto Axis a vibrazioni, urti o pressioni eccessive e non installare la telecamera su staffe instabili, superfici o pareti instabili o vibranti, poiché in tal modo si potrebbe danneggiare il prodotto.
- Per l'installazione del prodotto Axis, utilizzare solo attrezzi manuali, l'utilizzo di utensili elettrici o l'applicazione di una forza eccessiva potrebbero danneggiare il prodotto.
- Non utilizzare sostanze chimiche, agenti caustici o detergenti aerosol. Utilizzare un panno umido per la pulizia.
- Utilizzare solo parti di ricambio fornite o consigliate da Axis.
- Non tentare di riparare da soli il prodotto, ma contattare Axis o il rivenditore Axis per qualsiasi argomento relativo all'assistenza tecnica.

IMPORTANTE!

- Questo prodotto Axis deve essere utilizzato in conformità alle leggi e alle regolamentazioni locali.

Sostituzione della batteria

Questo prodotto Axis utilizza una batteria al litio CR2032 da 3,0V come sorgente di alimentazione per l'orologio in tempo reale (RTC) interno. In condizioni normali, la batteria dura almeno 5 anni. Una scarsa potenza della batteria influisce sul funzionamento dell'RTC, causandone la reimpostazione a ogni accensione. Quando la batteria necessita di sostituzione, appare un messaggio di log. La batteria non deve essere sostituita se non è necessario!

Se è necessario sostituire la batteria, visitare la pagina web www.axis.com/techsup per assistenza.

- La sostituzione non corretta della batteria comporta il pericolo di esplosioni.
- Sostituire solo con una batteria uguale o equivalente, come consigliato dal produttore.
- Smaltire le batterie usate secondo le istruzioni del produttore.

Pulizia del coperchio della cupola

- Fare attenzione a non graffiare o danneggiare la copertura a cupola. Non pulire il coperchio di una cupola che visivamente sembra pulito e non lucidarne mai la superficie. La pulizia eccessiva può danneggiare la superficie.
- Per la pulizia generica del coperchio di una cupola si consiglia di utilizzare un sapone o un detersivo neutro, non abrasivo e privo di solventi, con acqua e un panno morbido. Risciacquare bene con acqua pulita tiepida. Asciugare con un panno morbido per evitare macchie causate dall'acqua.
- Non usare mai detersivi aggressivi, benzina, benzene, acetone, ecc. ed evitare le operazioni di pulizia sotto la luce solare diretta o con temperature elevate.

AXIS P5512 Guida all'installazione

Questo documento fornisce le istruzioni necessarie per installare un AXIS P5512 PTZ Dome Network Camera nella rete in uso. Per ulteriori informazioni sull'utilizzo del prodotto, consultare la Guida per l'utente disponibile sul CD incluso nella confezione oppure visitare il sito web all'indirizzo www.axis.com

Procedura di installazione

1. Controllare il contenuto della confezione con l'elenco che segue.
2. Panoramica dell'hardware. Vedere pagina 70.
3. Installazione dell'hardware.
 - Preparazione dell'installazione. Vedere a pagina 72.
 - Montaggio a soffitto. Vedere a pagina 74.
 - Montaggio su un controsoffitto. Vedere a pagina 74.
 - Montaggio su staffa (accessorio opzionale). Vedere a pagina 76.
4. Assegnazione di un indirizzo IP. Vedere pagina 77.
5. Impostazione della password. Vedere a pagina 80.

Importante!

Questo prodotto deve essere usato in conformità alle leggi e ai regolamenti locali.

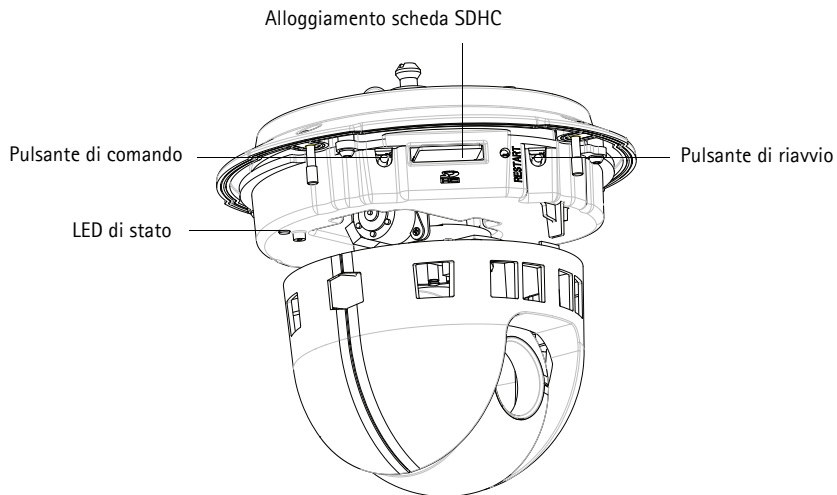
1 Contenuto della confezione

Elemento	Modelli/varianti/note
Telecamera di rete	AXIS P5512
Coperture a cupola	Copertura trasparente chiara (premontata) Copertura trasparente scura
Kit di montaggio	Kit di montaggio per soffitti e controsoffitti Cacciavite Resitorx
CD	CD del prodotto con tecnologia video di rete AXIS, comprensivo della documentazione del prodotto, utensili di installazione e altro software.
Materiali stampati	AXIS P5512 Guida all'installazione della Telecamera di rete (questo documento) Documento di garanzia Axis, Maschera di foratura, Etichetta aggiuntiva con numero di serie (2x) Chiave di autenticazione AVHS

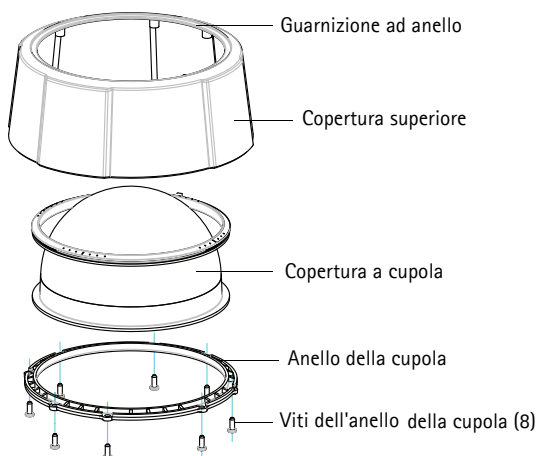
Accessori opzionali	Accessori per il montaggio AXIS T91A Cavo multiplo per la connessione di I/O, audio e alimentazione Per informazioni sugli accessori per l'alimentazione e gli alloggiamenti per esterni, visitare il sito web www.axis.com
---------------------	---

2 Panoramica dell'hardware

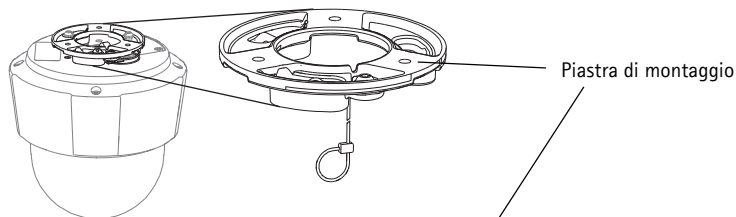
Telecamera



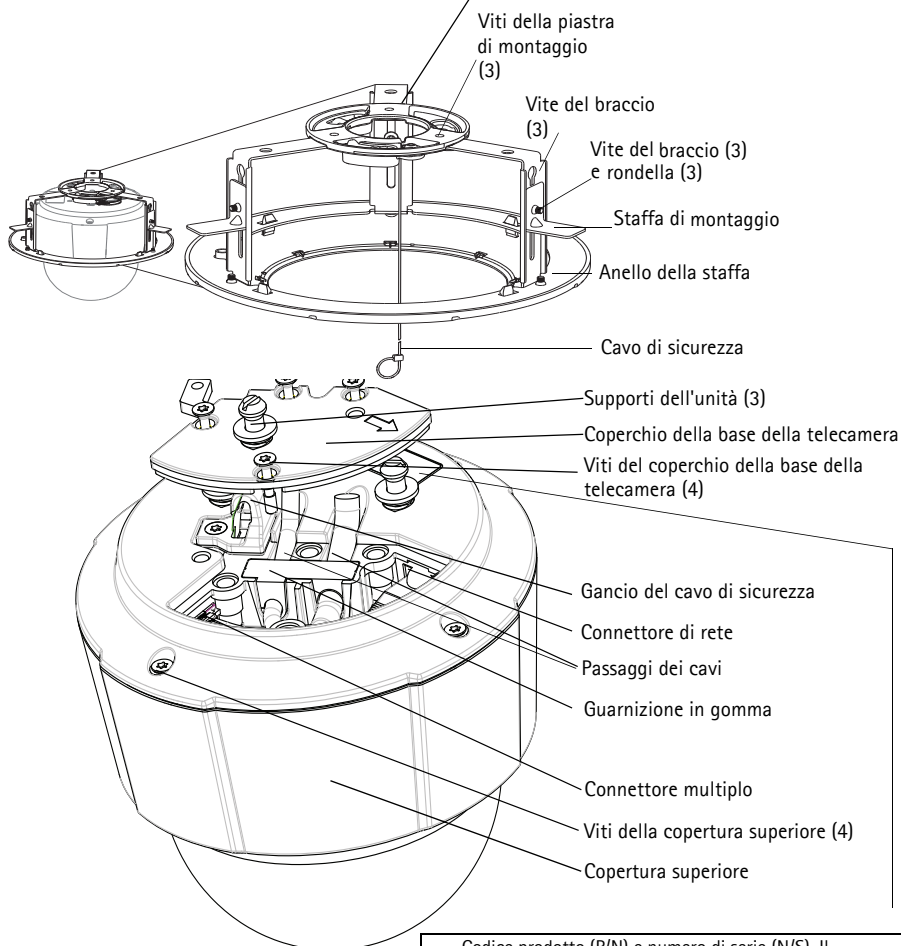
Copertura a cupola



Montaggio a soffitto



Montaggio su controsoffitto



Codice prodotto (P/N) e numero di serie (N/S). Il numero di serie può essere richiesto durante l'installazione

3 Installazione dell'hardware

- ! **IMPORTANTE!** - Per utilizzare la telecamera AXIS P5512 all'esterno, è necessario installarla in un alloggiamento per esterni approvato. Per ulteriori informazioni sull'alloggiamento per esterni, vedere all'indirizzo www.axis.com.

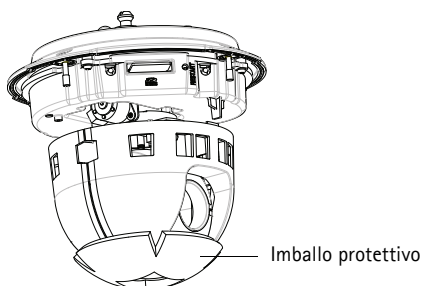
Preparazione dell'installazione

Leggere tutte le istruzioni prima di preparare a installare l'unità AXIS P5512, poiché numerose fasi richiedono la rimozione del coperchio superiore ed è opportuno che vengano completate insieme.

- Rimuovere l'imballo protettivo prima di installare la telecamera (vedere le istruzioni più avanti).
- Per sostituire la copertura a cupola, vedere *Sostituire la copertura a cupola trasparente chiara/scura (facoltativo)*, a pagina 73.
- Per rimuovere il coperchio superiore e installare una scheda SD, vedere *Installazione di una scheda SD (facoltativa)*, a pagina 73.

Rimuovere l'imballo protettivo

1. Allentare le 4 viti della copertura superiore e rimuoverla. Vedere l'illustrazione a pagina 71.
2. Rimuovere l'imballo protettivo.



3. Per sostituire la copertura a cupola chiara/scura o installare una scheda SD, fare riferimento alle istruzioni a pagina 73.
4. Rimontare la copertura posteriore nella posizione originale e serrare prima due viti diagonalmente opposte (a una coppia $< 0,7$ Nm), quindi le altre due viti.

Sostituire la copertura a cupola trasparente chiara/scura (facoltativo)

1. Allentare le 4 viti della copertura superiore e rimuoverla, come nell'illustrazione a pagina 71.
2. Rimuovere le 8 viti dell'anello della copertura e rimuovere l'anello dalla copertura superiore.
3. Fissare l'anello della cupola e la copertura a cupola sulla copertura superiore serrando le 8 viti (a una coppia 0,4 - 0,6 Nm).
4. Per installare una scheda SD, fare riferimento alle istruzioni in *Installazione di una scheda SD (facoltativa)*, più avanti.
5. Rimontare la copertura posteriore nella posizione originale e serrare prima due viti diagonalmente opposte (a una coppia < 0,7 Nm), quindi le altre due viti.

Nota:

Fare attenzione a non graffiare o danneggiare la copertura a cupola. Usare un panno morbido per pulire la copertura a cupola prima di montarla sulla telecamera.

Installazione di una scheda SD (facoltativa)

1. Allentare le 4 viti della copertura superiore e rimuoverla. Vedere l'illustrazione a pagina 71.
2. Inserire una scheda SD (non inclusa) nell'alloggiamento per la scheda SDHC (Secure Digital High Capacity).
3. Rimontare la copertura posteriore nella posizione originale e serrare le viti.

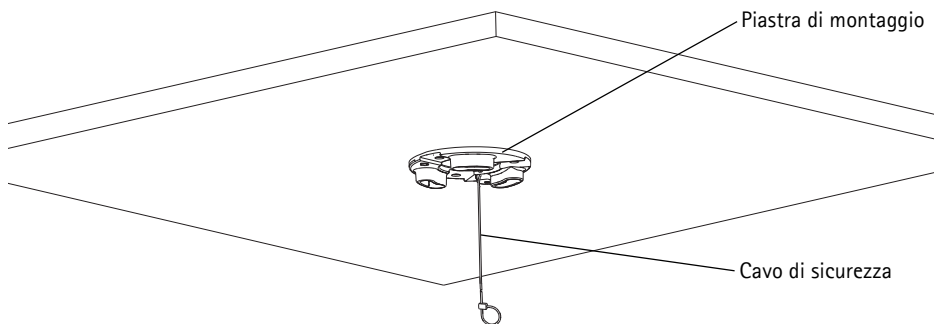
Nota:

La scheda SD viene montata automaticamente quando la si inserisce nell'alloggiamento per la scheda SDHC. Tuttavia, prima di rimuovere la scheda SD, questa dovrebbe essere smontata per mezzo delle pagine web della telecamera. Selezionare **Setup (Configurazione) > System Options (Opzioni di sistema) > Storage (Archiviazione) > SD Card (Scheda SD)** e fare clic su **Unmount (Smonta)**. Per ulteriori informazioni, leggere la Guida per l'utente, disponibile sul CD del prodotto con tecnologia video di rete Axis fornito insieme al prodotto, oppure sul sito web di Axis all'indirizzo www.axis.com.

Montaggio a soffitto

Per installare la piastra di montaggio:

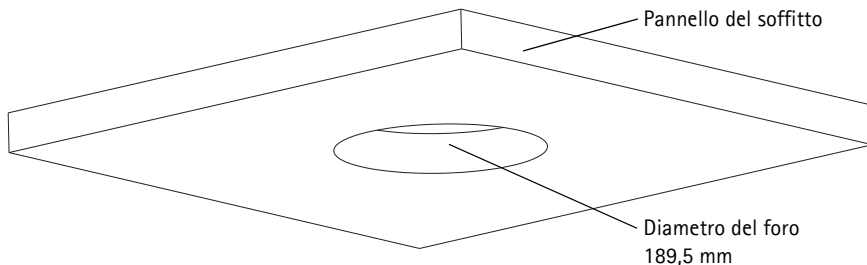
1. Usare la maschera di foratura fornita per posizionare i fori. Utilizzare punte, viti e tasselli adatti al materiale del soffitto.
2. Installare la piastra di montaggio.



3. Allentare le 4 viti del coperchio della base della telecamera e rimuoverlo. Vedere l'illustrazione a pagina 71.
4. Stendere e collegare alla telecamera di rete il cavo di rete e il cavo multiplo, se applicabile. Fare attenzione a non danneggiare i cavi mentre se ne esegue la connessione. Assicurarsi che i fori della guarnizione di spugna siano allineati con i passaggi dei cavi e, se necessario, rimuovere il pezzo pretagliato per il cavo multiplo dalla guarnizione di spugna.
5. Rimontare il coperchio della base della telecamera nella posizione originale e serrare le viti.
6. Fissare la telecamera usando il cavo di sicurezza fornito.
7. Far scorrere i supporti della telecamera di rete nelle scanalature della piastra di montaggio e ruotare la telecamera.

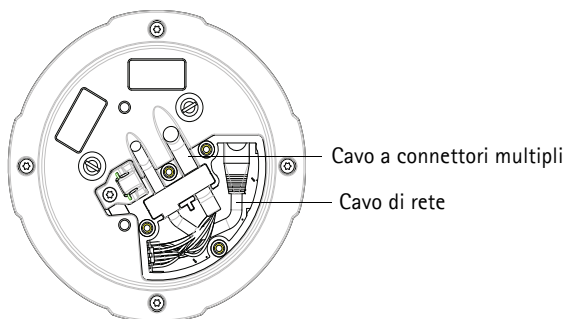
Montaggio su soffitto mobile

1. Rimuovere il pannello del soffitto su cui deve essere eseguito il montaggio.
2. Utilizzare la maschera fornita per contrassegnare la posizione del foro da 189,5 mm nel pannello del soffitto. Tagliare lungo la maschera.

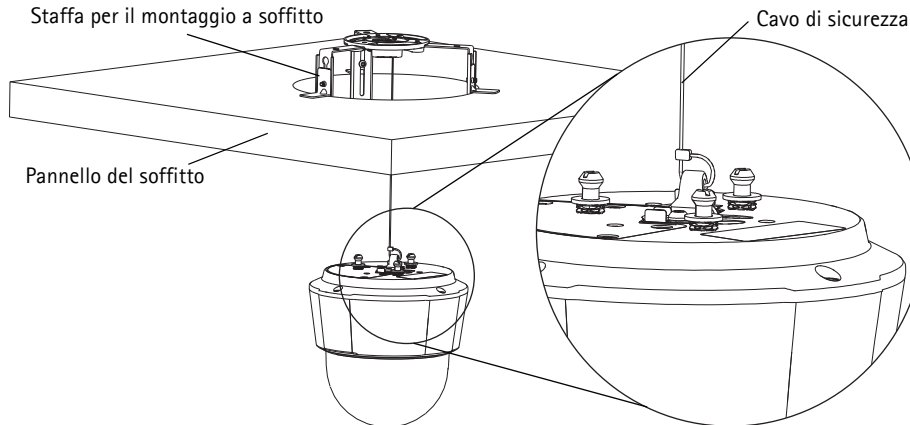


Note:

- Il peso totale della telecamera e degli accessori per il montaggio a soffitto è di circa 2,3 kg. Controllare che il materiale del soffitto sia sufficientemente robusto per sostenere tale peso.
 - Il pannello del soffitto dovrebbe essere spesso da 5 mm a 60 mm.
3. Montare la staffa per il montaggio a soffitto.
 4. Inserire la staffa per il soffitto nel pannello. Vedere l'illustrazione a pagina 75.
 5. Serrare le viti del braccio della staffa usando un cacciavite torx 20.
 6. Allentare le 4 viti del coperchio della base della telecamera e rimuoverlo. Vedere l'illustrazione a pagina 71.
 7. Rimuovere la guarnizione del cavo e infilare il cavo di rete. Rimuovere il tappo dalla guarnizione del cavo e infilare il cavo multiplo, se applicabile. Fare attenzione a non danneggiare i cavi mentre vengono connessi alla telecamera di rete.

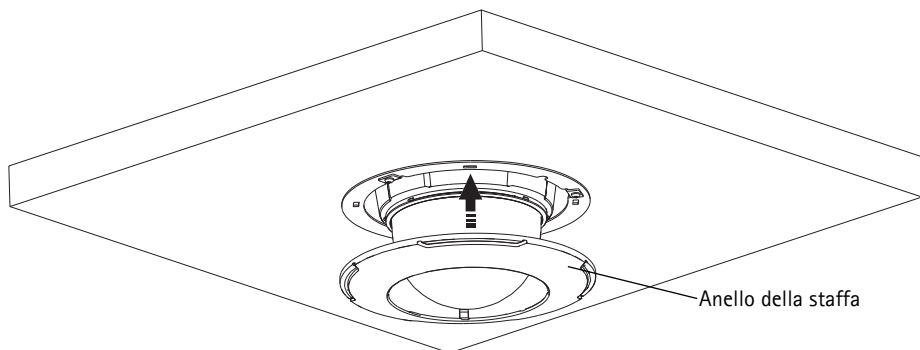


8. Rimontare il coperchio della base della telecamera nella posizione originale e serrare le viti.
9. Fissare la telecamera usando il cavo di sicurezza fornito.
Staffa per il montaggio a soffitto



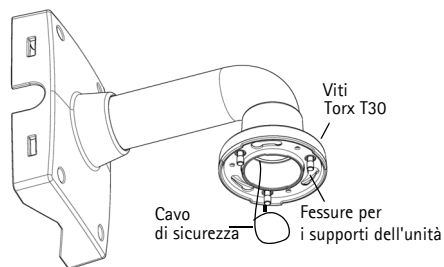
10. Far scorrere i supporti della telecamera di rete nelle scanalature della piastra di montaggio e ruotare la telecamera.

11. Rimontare il pannello nel soffitto, con la telecamera montata.
12. Collocare l'anello perimetrale sulla staffa per soffitto e farlo scattare in posizione.



Montaggio su staffa (accessorio opzionale)

1. Installare la staffa selezionata secondo le istruzioni fornite con la staffa. Se è necessario forare, assicurarsi di utilizzare punte, viti e tasselli adatti al materiale.
2. Allentare le 4 viti del coperchio della base della telecamera e rimuoverlo. Vedere l'illustrazione a pagina 71.
3. Stendere il cavo di rete e il cavo multiplo, se applicabile, attraverso i fori della staffa a muro.
4. Agganciare la telecamera al cavo di sicurezza della staffa.
5. Collegare alla telecamera di rete il cavo di rete e il cavo multiplo, se applicabile.
6. Rimontare il coperchio della base della telecamera nella posizione originale.
7. Far scorrere i supporti della telecamera di rete nelle scanalature della staffa e ruotare la telecamera.
8. Fissare la telecamera di rete alla staffa di montaggio serrando le 3 viti (Torx T30).





Staffa di montaggio a muro (esempio di montaggio)

4 Assegnazione di un indirizzo IP

La maggior parte delle reti dispone di un server DHCP che assegna automaticamente gli indirizzi IP alle periferiche connesse. Se la rete non dispone di un server DHCP, per la telecamera di rete viene utilizzato l'indirizzo IP predefinito 192.168.0.90.

Per assegnare un indirizzo IP statico, utilizzare **AXIS IP Utility** o **AXIS Camera Management** in ambiente Windows. In base al numero di videocamere da installare, utilizzare il metodo che meglio si adatta alle proprie esigenze.

Entrambe le applicazioni sono disponibili gratuitamente sul CD del prodotto con tecnologia video di rete Axis oppure possono essere scaricate dal sito web all'indirizzo www.axis.com.

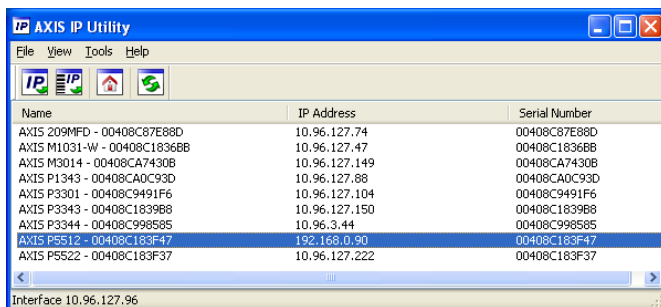
Metodo	Consigliato per	Sistema operativo
 AXIS IP Utility Vedere pagina 78	Videocamera singola Piccole installazioni	Windows
 AXIS Camera Management Vedere pagina 79	Più videocamere Grandi installazioni Installazione in una subnet diversa	Windows 2000 Windows XP Pro Windows 2003 Server Windows Vista Windows 7

Note:

- Se l'assegnazione dell'indirizzo IP non è riuscita correttamente, verificare che non siano presenti firewall che bloccano l'operazione.
- Per altri metodi di assegnazione o rilevazione dell'indirizzo IP, per esempio in altri sistemi operativi, vedere a pagina 83.

AXIS IP Utility: telecamera singola/piccole installazioni

AXIS IP Utility rileva e visualizza automaticamente i dispositivi Axis collegati alla rete. L'applicazione può anche essere utilizzata per assegnare manualmente un indirizzo IP statico.




Si tenga presente che la telecamera di rete deve essere installata sullo stesso segmento di rete (subnet fisica) del computer sul quale è in esecuzione AXIS IP Utility.

Rilevamento automatico

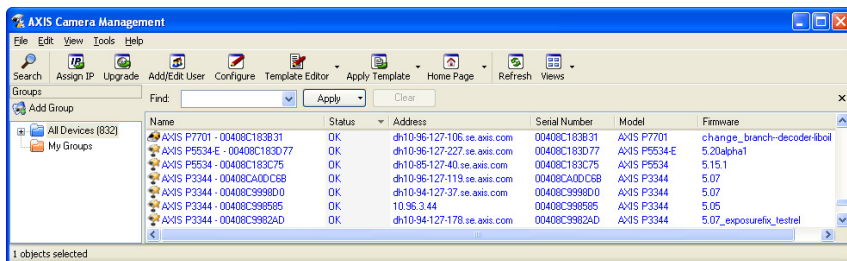
1. Verificare che la telecamera di rete sia collegata alla rete e alimentata correttamente.
2. Avviare AXIS IP Utility.
3. Quando la telecamera viene visualizzata nella finestra, selezionarla con un doppio clic per aprire la home page.
4. Vedere la pagina 80 per istruzioni su come assegnare la password.

Assegnazione manuale dell'indirizzo IP (opzionale)

1. Acquisire un indirizzo IP non utilizzato sullo stesso segmento di rete del computer.
2. Selezionare la telecamera di rete dall'elenco.
3. Fare clic sul pulsante **Assign new IP address to the selected device** (Assegna un nuovo indirizzo IP alla periferica selezionata)  e immettere l'indirizzo IP.
4. Fare clic su **Assign** (Assegna) e seguire le istruzioni visualizzate. Tener presente che la telecamera deve essere riavviata entro due minuti per impostare il nuovo indirizzo IP.
5. Fare clic sul pulsante **Home Page** (Pagina home) per accedere alle pagine web della telecamera.
6. Vedere a pagina 80 per le istruzioni sull'impostazione della password.

AXIS Camera Management: più telecamere/grandi installazioni


È possibile utilizzare AXIS Camera Management per individuare automaticamente la presenza di più periferiche Axis, mostrare lo stato di connessione, gestire gli aggiornamenti del firmware ed assegnare gli indirizzi IP.



Rilevamento automatico

1. Verificare che la telecamera sia collegata alla rete e alimentata correttamente.
2. Avviare AXIS Camera Management. Non appena la telecamera di rete viene visualizzata nella finestra, fare clic con il pulsante destro sul collegamento e selezionare **Live View Home Page** (Immagini dal vivo).
3. Vedere a pagina 80 le istruzioni per impostare la password.


Assegnazione di un indirizzo IP ad un singolo dispositivo

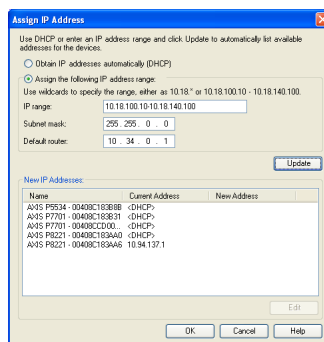
1. Selezionare la telecamera di rete in AXIS Camera Management e fare clic sul pulsante **Assign IP** (Assegna IP). 
2. Selezionare **Assign the following IP address** (Assegna il seguente indirizzo IP) e immettere l'indirizzo IP, la subnet mask e il router predefinito utilizzati dalla periferica.
3. Fare clic su **OK**.



Assegnazione degli indirizzi IP a più telecamere

AXIS Camera Management facilita il processo di assegnazione degli indirizzi IP di più periferiche, suggerendo gli indirizzi IP in base a un intervallo specifico.

1. Selezionare le periferiche da configurare (è possibile selezionare più modelli) e fare clic sul pulsante **Assign IP** (Assegna IP). 
2. Selezionare **Assign the following IP address range** (Assegna il seguente intervallo di indirizzi IP) e immettere l'intervallo di indirizzi IP, la subnet mask e il router predefinito utilizzati dalla periferica.
3. Fare clic su **Update** (Aggiorna). Gli indirizzi IP suggeriti sono elencati sotto a **New IP Addresses** (Nuovi indirizzi IP) e possono essere modificati selezionando una periferica e facendo clic su **Edit** (Modifica).
4. Fare clic su **OK**.



5 Impostazione della password

Per ottenere l'accesso al prodotto, è necessario impostare la password dell'utente amministratore predefinito **root**. Questa operazione può essere effettuata nella finestra di dialogo **'Configure Root Password'** (Configura password root), che viene visualizzata quando si accede alla telecamera per la prima volta.

Per evitare l'interruzione del collegamento di rete durante l'impostazione della password root, è possibile eseguire questa operazione tramite la connessione crittografata HTTPS, che richiede un certificato HTTPS.

Nota: HTTPS (Hypertext Transfer Protocol over SSL) è un protocollo utilizzato per crittografare il traffico tra i browser e i server web. Il certificato HTTPS controlla lo scambio crittografato di informazioni.

Per impostare la password tramite una connessione HTTP standard, inserirla direttamente nella prima finestra di dialogo mostrata di seguito.

Per impostare la password tramite una connessione HTTPS crittografata, attenersi alla seguente procedura.

1. Fare clic sul pulsante **Create self-signed certificate** (Crea certificato autofirmato).
2. Fornire le informazioni richieste e fare clic su **OK**. Il certificato viene creato e la password può essere ora impostata in modo sicuro. Da questo momento in poi tutto il traffico verso e dalla telecamera di rete viene cifrato.

- Immettere una password e reimmetterla per confermarla. Fare clic su **OK**. La password è stata ora configurata.

Per creare una connessione HTTPS, iniziare facendo clic su questo pulsante.

Per configurare la password direttamente tramite una connessione non crittografata, immettere qui la password.

- Per eseguire l'accesso, inserire il nome utente "root" nella finestra di dialogo appena il programma lo richiede.
Nota: Non è possibile eliminare il nome utente predefinito dell'amministratore.
- Immettere la password impostata in precedenza e fare clic su **OK**.
Nota: Se si dimentica la password, sarà necessario ripristinare le impostazioni predefinite della telecamera. Vedere a pagina 88.

Accesso al flusso video

Viene visualizzata la pagina Live View (Immagini dal vivo) con i collegamenti agli strumenti di configurazione che consentono di personalizzare la telecamera.

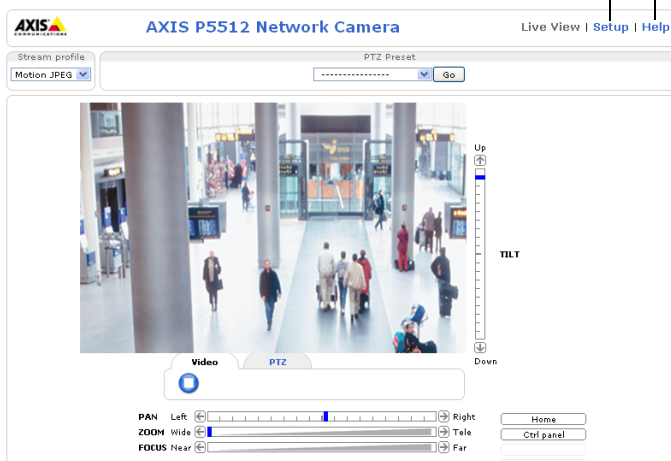
Se necessario, fare clic su Yes (Sì) per installare AMC (Axis Media Control) che consente di visualizzare il flusso video in Microsoft Internet Explorer. A questo scopo è necessario disporre dei privilegi di amministratore.

Se necessario, fare clic sul collegamento per installare i decodificatori mancanti.

Nota: Per installare AMC in Windows 7/Windows Vista, è necessario eseguire Internet Explorer come amministratore. Fare clic con il pulsante destro del mouse sull'icona di Internet Explorer e selezionare Run as administrator (Esegui come amministratore).

Setup (Configurazione): fornisce tutti gli strumenti necessari per configurare la telecamera.

Help (Guida): visualizza la Guida in linea relativa alla modalità di utilizzo della telecamera.



Altri metodi di assegnazione dell'indirizzo IP

La seguente tabella descrive gli altri metodi disponibili per assegnare o individuare l'indirizzo IP. Per impostazione predefinita, tutti i metodi sono disponibili e possono essere disabilitati.

	Utilizzo nel sistema operativo	Note
UPnP™	Windows	Se abilitata sul computer, la telecamera viene rilevata automaticamente e aggiunta a "Risorse di rete".
Bonjour	MAC OS X (versione 10.4 o successive)	Si applica ai browser con supporto Bonjour. Selezionare il segnalibro Bonjour nel browser (ad esempio Safari) e fare clic sul collegamento per accedere alle pagine web della telecamera.
AXIS Dynamic DNS Service	Tutte	Servizio gratuito fornito da Axis che consente di installare la telecamera in modo facile e veloce. È necessaria una connessione a Internet senza proxy http. Per ulteriori informazioni, visitare il sito web www.axiscam.net
ARP/Ping	Tutte	Vedere le sezioni che seguono. È necessario eseguire il comando entro 2 minuti dal collegamento dell'alimentazione alla telecamera.
DHCP	Tutte	Per visualizzare le pagine di amministrazione del server DHCP di rete, vedere la documentazione specifica del server.

AXIS Video Hosting System (AVHS)

La telecamera può essere anche collegata ad un server AVHS per l'hosting video. Se ci si è abbonati a un servizio AVHS, seguire le istruzioni della guida all'installazione fornita dal provider. Per ulteriori informazioni su come trovare un provider di servizi AVHS locale, accedere a www.axis.com/hosting

La chiave di autenticazione per il proprietario della telecamera si trova sulla copertina posteriore di questo documento. La chiave è associata al numero di serie univoco della telecamera mostrato nella parte superiore dell'etichetta.

Nota:

Conservare la chiave come riferimento per il futuro.

Assegnazione dell'indirizzo IP con ARP/Ping

1. Acquisire un indirizzo IP sullo stesso segmento di rete cui è connesso il computer in uso.
2. Individuare il numero di serie indicato sull'etichetta della telecamera.
3. Aprire una finestra MS-DOS sul computer e digitare i seguenti comandi:

Sintassi di Windows:	Esempio Windows:
arp -s <Indirizzo IP> <Numero di serie> ping -l 408 -t <Indirizzo IP>	arp -s 192.168.0.125 00-40-8c-18-10-00 ping -l 408 -t 192.168.0.125
Sintassi di UNIX/Linux/Mac:	Esempio UNIX/Linux/Mac:
arp -s <Indirizzo IP> <Numero di serie> temp ping -s 408 <Indirizzo IP>	arp -s 192.168.0.125 00:40:8c:18:10:00 temp ping -s 408 192.168.0.125

4. Verificare che il cavo di rete sia collegato alla telecamera, quindi avviare/riavviare la telecamera, scollegando e ricollegando l'alimentazione.
5. Chiudere la finestra MS-DOS appena viene visualizzato il messaggio "Reply from 192.168.0.125: ..." o un altro messaggio simile.
6. Nel browser immettere `http://<indirizzo IP>` nel campo dell'indirizzo e premere Invio sulla tastiera.

Note:

- Per aprire una finestra MS-DOS in Windows: dal menu Start, scegliere Run (Esegui)... e digitare cmd. Fare clic su OK.
- Per usare il comando ARP in Windows 7/ Windows Vista, fare clic con il pulsante destro del mouse sull'icona della finestra MS-DOS e selezionare **Esegui come amministratore**.
- Per utilizzare il comando ARP in Mac OS X, usare l'utility Terminal, in Applicazioni > Utilità.

Connettori

Connettore di rete– Connettore Ethernet RJ-45. Supporta PoE (Power over Ethernet IEEE 802.3af Class 3). Per la conformità EMC, utilizzare cavi schermati.

Connettore multiplo – Vedere *Cavo multiplo (venduto a parte)*, a pagina 86 – Connettore terminale per la connessione di dispositivi esterni:

- Dispositivi audio
- Dispositivi di Input/output (I/O)
- Alimentatore CA/CC

Quando si connettono dispositivi esterni all'unità AXIS P5512, è necessario un cavo multiplo per mantenere la classificazione IP51. Il cavo multiplo può essere acquistato dal proprio rivenditore Axis. Per ulteriori informazioni, leggere la Guida per l'utente, disponibile sul CD del prodotto video di rete Axis fornito insieme al prodotto, oppure sul sito web di Axis all'indirizzo www.axis.com.

Alloggiamento scheda SDHC – Per memorizzare localmente le immagini riprese dalla telecamera di rete, è necessaria una scheda SD (non inclusa) con capacità standard o elevata. Per inserire o rimuovere la scheda SD, è necessario rimuovere la copertura superiore della telecamera, vedere *Installazione di una scheda SD (facoltativa)*, a pagina 73.

Nota:

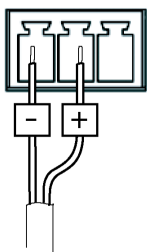
Prima della rimozione, la scheda SD dovrebbe essere smontata per evitare di danneggiare le registrazioni. Per smontare la scheda SD, selezionare **Setup (Configurazione) > System Options (Opzioni di sistema) > Storage (Archiviazione) > SD Card (Scheda SD)** e fare clic su **Unmount (Smonta)**. Per ulteriori informazioni, leggere la Guida per l'utente, disponibile sul CD del prodotto con tecnologia video di rete Axis fornito insieme al prodotto, oppure sul sito web di Axis all'indirizzo www.axis.com.

Cavo multiplo (venduto a parte)

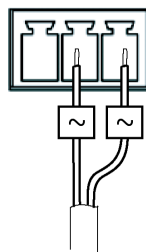
Quando si connettono dispositivi esterni all'unità AXIS P5512, è necessario un cavo multiplo per mantenere la classificazione IP51 della telecamera. Il cavo multiplo può essere acquistato dal proprio rivenditore Axis.

Connettere il cavo multiplo al connettore multiplo della telecamera. Vedere l'illustrazione a pagina 71 e le istruzioni a pagina 74. Il cavo contiene i seguenti connettori:

Connettore di alimentazione – Morsettiera a 3 pin utilizzata per l'ingresso dell'alimentazione.



Ingresso alimentazione CC, 24-34 V CC
AXIS P5512: max 15,7 W

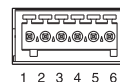


Ingresso alimentazione CA, 20-24 V CA
AXIS P5512: max 23,5 VA

Ingresso audio (rosa) – Ingresso audio da 3,5 mm per microfono in mono o segnale mono line-in (il canale sinistro è usato da un segnale stereo).

Uscita audio (verde) – Uscita audio da 3,5 mm che può essere connessa a un sistema di indirizzo pubblico (PA), oppure a un altoparlante con amplificatore integrato. Si può anche collegare un paio di cuffie. Per l'uscita audio è necessario usare un connettore stereo.

Morsettiera di I/O – Utilizzata per varie applicazioni, come ad esempio la rilevazione del movimento, l'attivazione di eventi, la registrazione continua e la notifica degli allarmi. Oltre all'alimentazione ausiliaria e al pin GND, ogni morsettiera ha 4 pin che possono essere configurati come ingressi o uscite. Questi pin forniscono l'interfaccia per:



- Uscita digitale: utilizzabile per collegare periferiche esterne come relè e LED. Le periferiche connesse possono essere attivate mediante la API (Application Programming Interface) VAPIX® o i pulsanti di controllo nella pagina **Live View** (Immagini da vivo) oppure tramite **Event Type** (Tipo di evento). L'uscita verrà visualizzata come attiva (in **Events (Eventi)** > **Port Status (Stato porta)**) se il dispositivo di allarme si attiva.

- Ingresso digitale: ingresso allarme utilizzabile per collegare le periferiche, che può passare dal circuito chiuso al circuito aperto, ad esempio: PIR, contatti per porte/finestre e rilevatori di effrazione dei vetri. La ricezione di un segnale provoca il cambiamento dello stato e l'attivazione dell'ingresso (condizioni visualizzate in **Events > Port Status** (Eventi > Stato porta)).

Funzione	Pin	Note	Specifiche
GND	1	Terra	
3.3Alimentazione 3,3 V CC	2	Il pin può essere utilizzato per alimentare una periferica ausiliaria. Nota: questo pin può essere usato <u>soltanto</u> come uscita alimentazione.	Carico max = 250 mA
Configurabile (ingresso o uscita)	3-6	Ingresso digitale: collegare a terra (GND) per attivarlo oppure lasciarlo isolato (scollegato) per disattivarlo.	Da 0 a +40 V CC
		Ingresso digitale – Connessione interna a terra quando attivo, isolato (scollegato) per quando inattivo. Se utilizzato con un relé esterno, è necessario collegare un diodo in parallelo al carico, per garantire un'adeguata protezione contro i picchi di tensione.	Carico max = 100 mA Tensione max = +40 V CC

Indicatori di stato della AXIS P5512

Colore	Indicazione
Spento	Connessione stabile/funzionamento normale
Giallo	Stabile durante l'inizializzazione del sistema o il ripristino delle impostazioni predefinite in fabbrica. Lampeggia durante l'aggiornamento del firmware.
Ambra e rosso	Collegamento di rete non disponibile
Rosso	Errore durante l'aggiornamento del firmware
Verde	Fisso per 10 secondi dopo un riavvio senza errori

Nota:

Per ulteriori informazioni sugli indicatori di stato dell'unità AXIS P5512, leggere la Guida per l'utente, disponibile sul CD del prodotto video di rete Axis fornito insieme al prodotto, oppure sul sito web di Axis all'indirizzo www.axis.com.

Ripristino delle impostazioni predefinite

Per reimpostare la telecamera alle impostazioni originali predefinite in fabbrica, utilizzare il pulsante di comando e il pulsante di riavvio sul lato della telecamera, vedere *Panoramica dell'hardware*, a pagina 70, come descritto di seguito:

Utilizzando il pulsante di comando ed il pulsante di riavvio, verranno ripristinati tutti i parametri, incluso l'indirizzo IP, alle impostazioni predefinite in fabbrica:

1. Rimuovere la copertura superiore, vedere *Rimuovere l'imballo protettivo*, a pagina 72.
2. Tenere premuti contemporaneamente i pulsanti di comando e di riavvio.
3. Rilasciare il pulsante di riavvio, continuando a tener premuto il pulsante di comando.
4. Continuare a tenere premuto il pulsante di comando fino a quando il colore dell'indicatore di stato non diventa giallo (l'operazione può richiedere fino a 15 secondi).
5. Rilasciare il pulsante di comando.
6. Quando l'indicatore di stato diventa verde (l'operazione può richiedere fino a 1 minuto) la procedura è completata e la telecamera è stata ripristinata. L'unità ha ora l'indirizzo IP predefinito 192.168.0.90
7. Rimontare il coperchio superiore della telecamera nella posizione originale.
8. Riassegnare l'indirizzo IP utilizzando uno dei metodi descritti in *Assegnazione di un indirizzo IP*, a pagina 77.

È possibile inoltre reimpostare i parametri alle impostazioni predefinite in fabbrica mediante l'interfaccia web. Per ulteriori informazioni, leggere la guida in linea o la Guida per l'utente, disponibile sul CD del prodotto con tecnologia video di rete Axis fornito insieme al prodotto.

Accesso alla telecamera da Internet

Dopo l'installazione, la telecamera di rete è accessibile dalla rete locale (LAN). Per accedere alla telecamera da Internet, è necessario configurare i router di rete per consentire il traffico in entrata, che di norma avviene su una porta specifica.

- Porta HTTP (porta predefinita 80) per la visualizzazione e la configurazione
- Porta RTSP (porta predefinita 554) per la visualizzazione di flussi video in formato H.264

Per ulteriori istruzioni, consultare la documentazione del router. Per ulteriori informazioni su questo e altri argomenti, visitare il sito web per il supporto Axis all'indirizzo www.axis.com/techsup

Ulteriori informazioni

La Guida per l'utente è disponibile sul sito web di Axis all'indirizzo www.axis.com oppure sul CD del prodotto video di rete Axis fornito con il prodotto.

Suggerimento

Visitare il sito di Axis all'indirizzo www.axis.com/techsup per verificare se sono stati pubblicati aggiornamenti per la telecamera di rete. Per conoscere la versione installata del firmware, vedere About (Informazioni su) nella pagina Setup (Configurazione).

Medidas preventivas

Lea atentamente la Guía de instalación antes de instalar el producto. Guarde la Guía de instalación para futuras consultas.

¡PRECAUCIÓN!

- A la hora de transportar el producto Axis, utilice el embalaje original o uno equivalente para no dañar el producto.
- Evite exponer el producto Axis a vibraciones, golpes o presiones excesivas y no instale la cámara en soportes inestables, o en superficies o paredes inestables o con vibraciones, ya que esto podría dañar el producto.
- Instale el producto Axis utilizando solo herramientas manuales, ya que el uso de herramientas eléctricas o de una fuerza excesiva podría dañarlos.
- No utilice productos químicos, agentes cáusticos ni limpiadores en aerosol. Límpielo con un paño húmedo.
- Utilice solo piezas de recambio suministradas o recomendadas por Axis.
- No intente reparar el producto usted mismo, póngase en contacto con Axis o con el distribuidor de Axis para los temas de servicio técnico.

¡IMPORTANTE!

- Este producto Axis debe utilizarse de conformidad con la legislación y normativas locales.

Sustitución de la batería

Este producto Axis utiliza una batería de litio CR2032 de 3,0 V como fuente de alimentación para su reloj de tiempo real interno (RTC). En condiciones normales esta batería durará un mínimo de 5 años. Cuando la batería tiene poca carga el funcionamiento del RTC se puede ver afectado, ya que esto puede hacer que se reinicie cada vez que se encienda la cámara. Aparecerá un mensaje de registro cuando sea necesario sustituir la batería. No se debe sustituir la batería a menos que sea necesario.

Si necesita sustituir la batería, visite la página www.axis.com/techsup para recibir asistencia.

- Peligro de explosión si la batería se sustituye de forma incorrecta.
- Utilice solo baterías de recambio iguales o equivalentes, de acuerdo con las recomendaciones del fabricante.
- Deseche las baterías usadas según las instrucciones del fabricante.

Limpieza de la cubierta del domo

- Tenga cuidado de no arañar ni dañar la cubierta del domo. No limpie una cubierta del domo que parezca limpia y no pule nunca la superficie. El exceso de limpieza puede dañar la superficie.
- Para la limpieza general de la cubierta del domo se recomienda utilizar un jabón neutro no abrasivo y sin disolvente o un detergente con agua y un paño suave. Aclare bien con agua limpia tibia. Seque con un paño suave para evitar las manchas del agua.
- No utilice detergentes abrasivos, gasolina, benceno, acetona, etc., y evite limpiarlo con luz directa del sol o a temperaturas elevadas.

Guía de instalación de la AXIS P5512

Esta guía de instalación incluye las instrucciones necesarias para instalar una Cámara domo de red AXIS P5512 PTZ en su red. Para obtener información sobre cualquier cuestión relacionada con el uso del producto, consulte el Manual del usuario, disponible en el CD que se incluye en este paquete, o la página web www.axis.com.

Pasos para la instalación

1. Verifique el contenido del paquete con la lista que aparece más abajo.
2. Presentación del hardware. Consulte la página 92.
3. Instalación del hardware.
 - Preparación para la instalación, consulte la página 94.
 - Montaje en techo duro, consulte la página 95.
 - Montaje en falso techo, consulte la página 96.
 - Montaje con soporte (accesorio opcional), consulte la página 98.
4. Asignación de una dirección IP. Consulte la página 99.
5. Configuración de la contraseña. Consulte la página 102.

¡Importante!

Este producto debe utilizarse de acuerdo con la legislación y normativas locales.

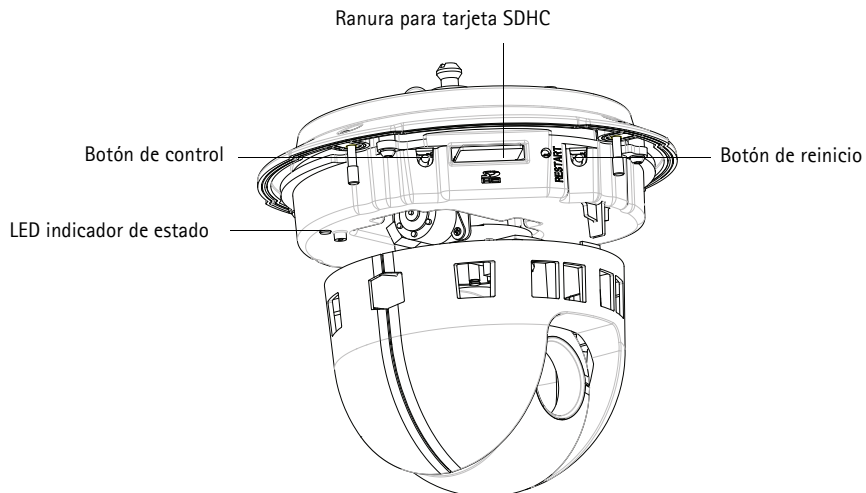
1 Contenido del paquete

Artículo	Modelos/variantes/notas
Cámara de red	AXIS P5512
Cubiertas de domo	Cubierta transparente clara (preinstalada) Cubierta transparente ahumada
Kit de montaje	Kit de montaje para techo duro y falso techo Destornillador Resitorx
CD	CD de los productos de vídeo en red de AXIS, incluida la documentación del producto, herramientas de instalación y otro software.
Material impreso	La guía de instalación de la cámara de red AXIS P5512 (este documento), documento de garantía de Axis, plantilla de taladro, etiquetas adicionales con el número de serie (2x), clave de autenticación AVHS

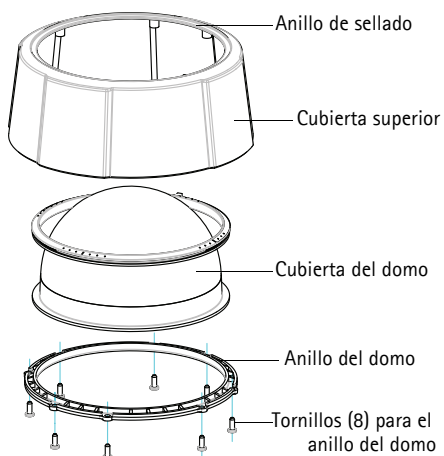
Accesorios opcionales	Accesorios de montaje de AXIS T91A Cable multiconector para la conexión de E/S, audio y alimentación Consulte nuestra web www.axis.com para obtener información sobre accesorios para alimentación y carcasas para exteriores
-----------------------	---

2 Presentación del hardware

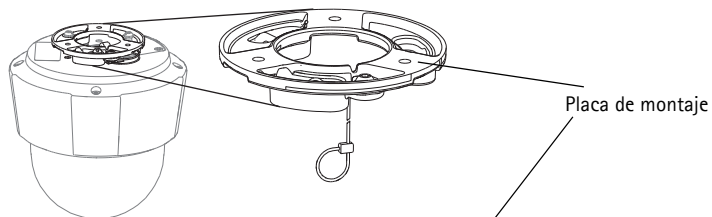
Unidad de cámara



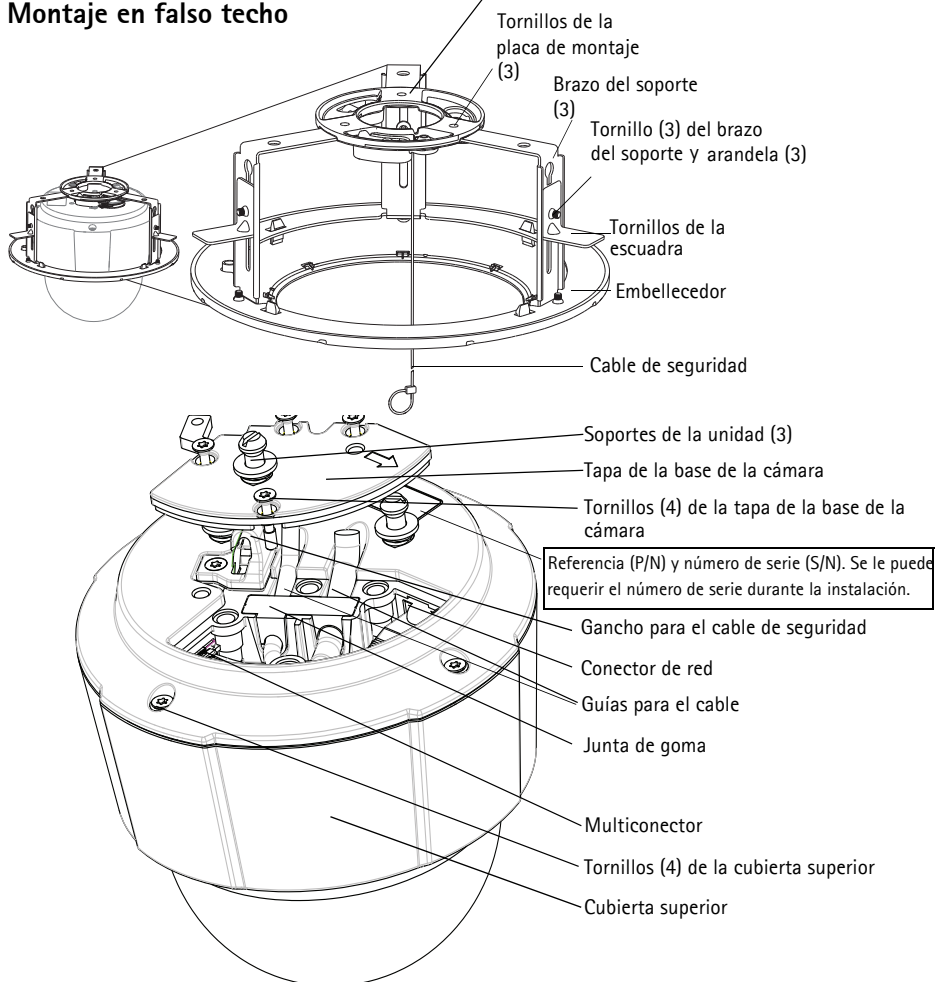
Cubierta del domo



Montaje en techo duro



Montaje en falso techo



3 Instalación del hardware

- ¡**IMPORTANTE!** - Para utilizar la cámara AXIS P5512 en exteriores, debe instalarse en una carcasa protectora para exterior autorizada. Para obtener más información sobre carcasas para exteriores, consulte la página www.axis.com.

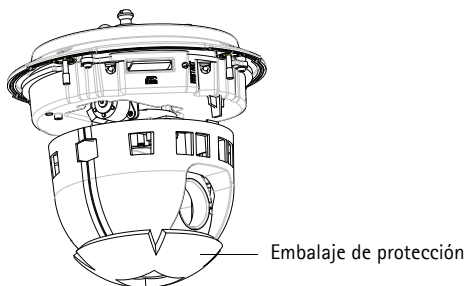
Preparación para la instalación

Lea las instrucciones al completo antes de prepararse para la instalación de la AXIS P5512, puesto que varios de los pasos requieren que se retire la cubierta superior y es recomendable llevarlos a cabo todos juntos.

- Retire el embalaje de protección antes de instalar la cámara, (consulte las instrucciones a continuación).
- Para sustituir la cubierta del domo, vea *Sustitución de la cubierta clara/ahumada del domo (opcional)*, en la página 95.
- Para extraer la cubierta superior e instalar la tarjeta SD, vea *Instalación de una tarjeta SD (opcional)*, en la página 95.

Retirada del embalaje de protección

1. Afloje los 4 tornillos de la cubierta superior y retírela. Consulte la ilustración de la página 93.
2. Retire el embalaje de protección.



3. Para sustituir la cubierta clara/ahumada del domo o instalar una tarjeta SD, consulte las instrucciones de la página 95.
4. Coloque la cubierta superior en su posición original y apriete primero dos tornillos diametralmente opuestos (par < 0,7 N·m) y después los otros dos.

Sustitución de la cubierta clara/ahumada del domo (opcional)

1. Afloje los 4 tornillos de la cubierta superior y retirela; consulte la ilustración en la página 93.
2. Quite los 8 tornillos del anillo del domo y retirelo de la cubierta superior.
3. Fije el anillo y la cubierta del domo a la cubierta superior y asegúrelos apretando los 8 tornillos (par 0,4 - 0,6 N·m).
4. Para instalar una tarjeta SD, consulte las instrucciones de la sección *Instalación de una tarjeta SD (opcional)* a continuación.
5. Coloque la cubierta superior en su posición original y apriete primero dos tornillos diametralmente opuestos (par < 0,7 N·m) y después los otros dos.

Nota:

Tenga cuidado de no arañar ni dañar la cubierta del domo. Utilice un paño suave para limpiar antes de unir la cubierta del domo a la unidad de cámara.

Instalación de una tarjeta SD (opcional)

1. Afloje los 4 tornillos de la cubierta superior y retirela. Consulte la ilustración de la página 93.
2. Inserte una tarjeta SD (no incluida) en la ranura para tarjeta SDHC (Secure Digital High Capacity).
3. Vuelva a colocar la cubierta superior en su posición original y apriete los tornillos.

Nota:

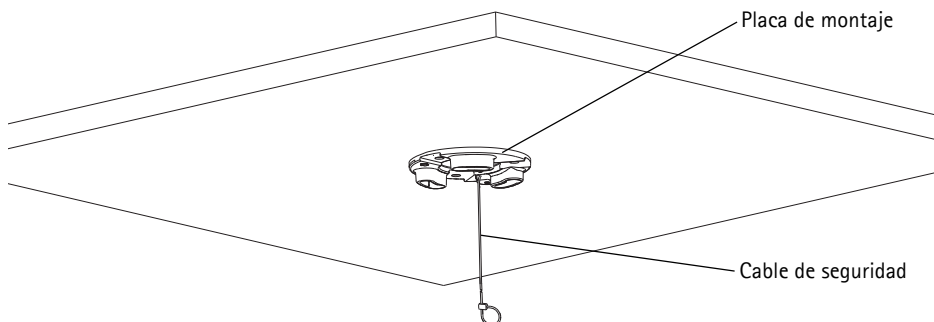
La tarjeta SD se instala automáticamente al insertarla en la ranura para tarjeta SDHC. No obstante, antes de retirar la tarjeta SD se debería desinstalar mediante las páginas web de la cámara. Vaya a **Setup (Configuración) > System Options (Opciones de sistema) > Storage (Almacenamiento) > SD Card (tarjeta SD)** y haga clic en **Unmount (Desinstalar)**. Para obtener más información, consulte el Manual del usuario disponible en el CD de productos de vídeo en red de AXIS suministrado con este producto o en el sitio web www.axis.com.

Montaje en techo duro

Para instalar la placa de montaje:

1. Use la plantilla de taladro incluida para situar los agujeros. Utilice las brocas, tornillos y tacos adecuados para el material del techo.

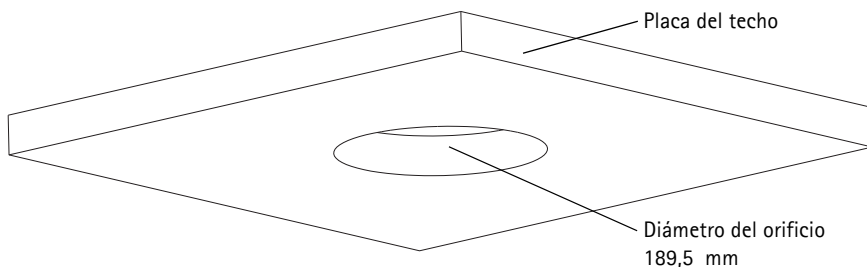
2. Instale la placa de montaje.



3. Afloje los 4 tornillos de la tapa de la base de la cámara y retírela. Consulte la ilustración de la página 93.
4. Pase el cable de red y el cable multiconector, si procede, y conéctelos a la cámara de red. Tenga cuidado de no dañar los cables al conectarlos. Asegúrese de que los orificios de la junta de goma coincidan con las guías para el cable y, si procede, retire de la junta de goma la pieza extraíble para el cable multiconector.
5. Vuelva a colocar la tapa de la base de la cámara en su posición original y apriete los tornillos.
6. Fije la cámara mediante el cable de seguridad suministrado.
7. Deslice los soportes de la unidad de la cámara de red por las ranuras de la placa de montaje y gire la unidad de cámara.

Montaje en falso techo

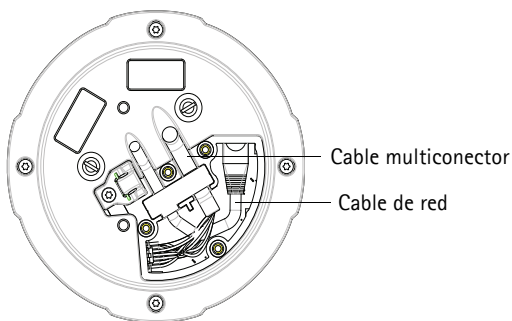
1. Retire la placa del techo donde se instalará el soporte para falso techo.
2. Utilice la plantilla proporcionada para marcar la posición del orificio de 189,5 mm en la placa. Recorte la plantilla.



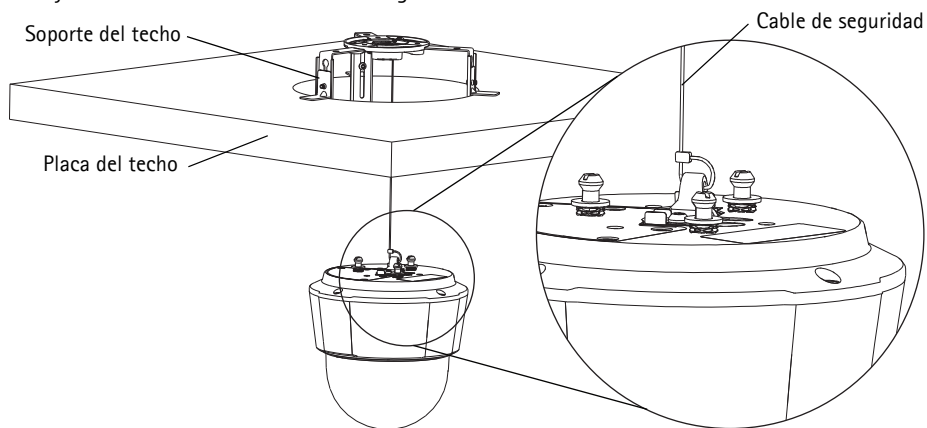
Notas:

- El peso de la cámara junto con el soporte del techo es de aproximadamente 2,3 kg (5,1 libras). Asegúrese de que el material del techo puede aguantar este peso.
 - El grosor de la placa del techo debe ser de entre 5 mm y 60 mm (0,2 pulg.–2,4 pulg.).
3. Monte la escuadra de techo.

4. Coloque la escuadra de techo en la placa. Consulte la ilustración de la página 97.
5. Apriete los tornillos para el brazo de la escuadra con una cabeza de destornillador torx 20.
6. Afloje los 4 tornillos de la tapa de la base de la cámara y retírela. Consulte la ilustración de la página 93.
7. Retire la junta del cable y pase el cable de red. Retire la clavija del cable de la junta del cable para pasar el cable multiconector en caso de haberlo. Tenga cuidado de no dañar los cables al conectarlos a la cámara de red.

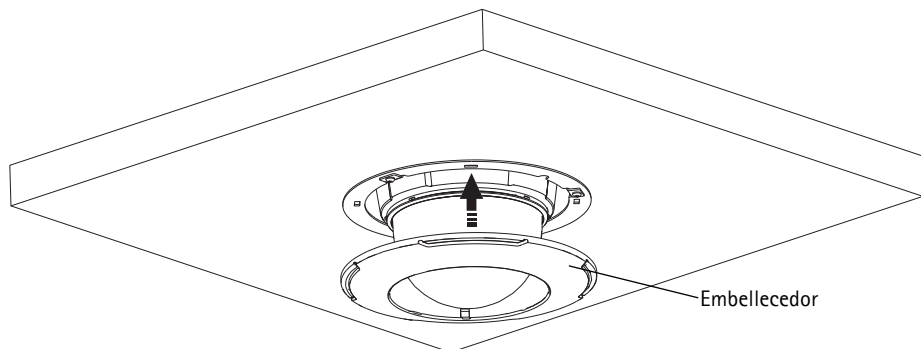


8. Vuelva a colocar la tapa de la base de la cámara en su posición original y apriete los tornillos.
9. Fije la cámara mediante el cable de seguridad suministrado.



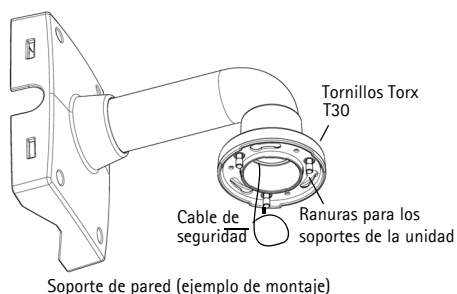
10. Deslice los soportes de la unidad de la cámara de red por las ranuras de la placa de montaje y gire la unidad de cámara.
11. Coloque la placa del techo con la cámara montada.

12. Coloque el embellecedor sobre la escuadra de techo y presione hasta que encaje.



Montaje con soporte (accesorio opcional)

1. Instale el soporte seleccionado según las instrucciones que se suministran con él. Si es necesario taladrar, asegúrese de utilizar las brocas, los tornillos y los tacos adecuados para el material.
2. Afloje los 4 tornillos de la tapa de la base de la cámara y retírela. Consulte la ilustración de la página 93.
3. Pase el cable de red y el cable multiconector, si procede, por los orificios del soporte de montaje.
4. Enganche la cámara al cable de seguridad del soporte.
5. Conecte el cable de red y el cable multiconector, si procede, a la cámara de red.
6. Vuelva a colocar la tapa de la base de la cámara en su posición original.
7. Deslice los soportes de la unidad de la cámara de red por las ranuras del soporte y gire la unidad de cámara.
8. Fije la cámara de red al soporte de montaje apretando los 3 tornillos (Torx T30).





Soporte de pared (ejemplo de montaje)

4 Asignación de una dirección IP

Actualmente, la mayoría de redes disponen de un servidor DHCP que asigna direcciones IP de forma automática a los dispositivos conectados. Si su red no dispone de un servidor DHCP, la cámara de red utilizará 192.168.0.90 como dirección IP predeterminada.

Si desea asignar una dirección IP estática, el método recomendado en Windows es **AXIS IP Utility** o **AXIS Camera Management**. En función del número de cámaras que desee instalar, deberá utilizar el método que se adapte mejor a sus necesidades.

Ambas aplicaciones son gratuitas y están disponibles en el CD de productos de vídeo en red de AXIS suministrado con este producto, o pueden descargarse de www.axis.com.

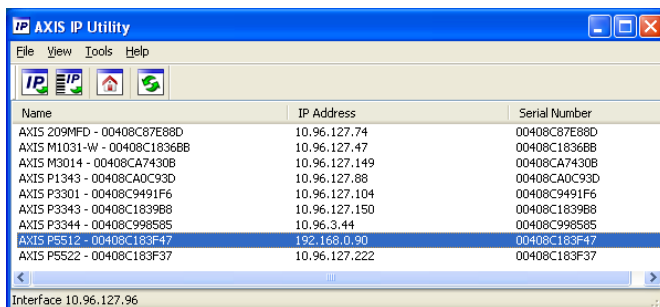
Método	Recomendado para	Sistema operativo
 AXIS IP Utility Consulte la página 100	Cámara individual Instalaciones pequeñas	Windows
 AXIS Camera Management Consulte la página 101	Varias cámaras Instalaciones grandes Instalación en una subred diferente	Windows 2000 Windows XP Pro Windows 2003 Server Windows Vista Windows 7

Notas:

- Si no puede asignar la dirección IP, compruebe que no haya ningún cortafuegos que bloquee la operación.
- Para ver otros métodos de asignar o detectar la dirección IP, (p. ej., en otros sistemas operativos) consulte la página 105.

AXIS IP Utility: para cámaras individuales o instalaciones pequeñas

AXIS IP Utility detecta y muestra automáticamente los dispositivos Axis que existen en la red. Además, esta aplicación puede utilizarse para asignar manualmente una dirección IP estática.




Recuerde que el equipo que ejecute AXIS IP Utility debe instalarse en el mismo segmento de red (subred física) que la cámara de red.

Detección automática

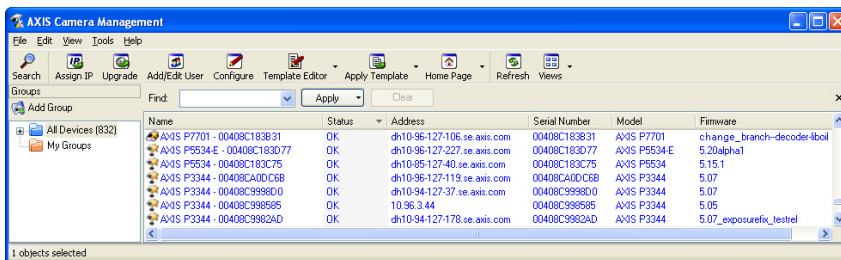
1. Compruebe que la cámara de red está conectada a la red y que recibe alimentación.
2. Inicie AXIS IP Utility.
3. Cuando la cámara aparezca en la ventana, haga doble clic en ella para abrir su página de inicio.
4. Consulte la página 102 para obtener instrucciones sobre cómo asignar la contraseña.

Asignación manual de la dirección IP (opcional)

1. Obtenga una dirección IP que no esté en uso y que se encuentre en el mismo segmento de red que su equipo.
2. Seleccione la cámara de red en la lista.
3. Haga clic en el botón **Assign new IP address to the selected device** (Asignar nueva dirección IP al dispositivo seleccionado)  e introduzca la dirección IP.
4. Haga clic en **Assign** (Asignar) y siga las instrucciones que aparecen en la pantalla. Recuerde que la cámara debe reiniciarse en los dos minutos siguientes a la configuración de la dirección IP.
5. Haga clic en el botón **Home Page** (Página de inicio) para acceder a las páginas web de la cámara.
6. Consulte la página 102 para obtener instrucciones sobre cómo configurar la contraseña.

AXIS Camera Management: para varias cámaras o instalaciones grandes


AXIS Camera Management puede detectar automáticamente varios dispositivos Axis, mostrar el estado de la conexión, administrar las actualizaciones del firmware y configurar direcciones IP.



Detección automática

1. Compruebe que la cámara está conectada a la red y que recibe alimentación.
2. Inicie AXIS Camera Management. Cuando la cámara de red aparezca en la ventana, haga clic con el botón derecho en el enlace y seleccione Live View Home Page (Página de inicio de Live View).
3. Consulte la página 102 para obtener instrucciones sobre cómo configurar la contraseña.


Asignación de una dirección IP en un dispositivo individual

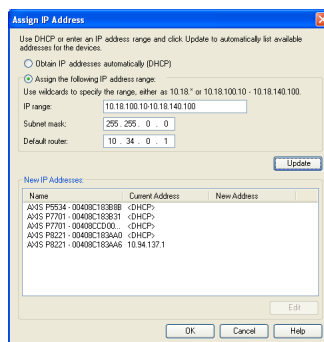
1. Seleccione la cámara de red en AXIS Camera Management y haga clic en el botón Assign IP (Asignar IP). 
2. Seleccione Assign the following IP address (Asignar la siguiente dirección IP) e introduzca la dirección IP, la máscara de subred y el router predeterminado que utilizará el dispositivo.
3. Haga clic en OK (Aceptar).



Asignación de direcciones IP en varios dispositivos

AXIS Camera Management acelera el proceso de asignación de direcciones IP en varios dispositivos indicando direcciones IP disponibles dentro de un intervalo especificado.

1. Seleccione los dispositivos que desee configurar (se pueden seleccionar varios modelos) y haga clic en el botón **Assign IP** (Asignar IP). 
2. Seleccione **Assign the following IP address range** (Asignar el siguiente intervalo de direcciones IP) e introduzca las direcciones IP, la máscara de subred y el router predeterminado que utilizará el dispositivo.
3. Haga clic en **Update** (Actualizar). Las direcciones IP sugeridas se muestran en **New IP Addresses** (Nuevas direcciones IP) y se pueden editar si se selecciona un dispositivo y se hace clic en el botón **Edit** (Editar).
4. Haga clic en **OK** (Aceptar).



5 Configuración de la contraseña

Para poder acceder al producto, hay que asignar una contraseña para el administrador **root** (es el usuario predeterminado). Aparecerá el cuadro de diálogo "Configure Root Password" (Configurar contraseña de root) cuando se acceda a la cámara de red por primera vez.

Para evitar la interceptación de la contraseña de root cuando se configura, este proceso se puede realizar a través de una conexión HTTPS cifrada, que precisa un certificado HTTPS.

Nota: HTTPS (Hypertext Transfer Protocol over SSL) es un protocolo que se utiliza para cifrar el tráfico entre los servidores y los navegadores web. El certificado HTTPS controla el intercambio cifrado de información.

Para configurar la contraseña a través de una conexión HTTP estándar, escribala directamente en el primer cuadro de diálogo que se muestra a continuación.

Para configurar la contraseña a través de una conexión HTTPS cifrada, siga estos pasos:

1. Haga clic en el botón **Create self-signed certificate** (Crear un certificado de autofirma).
2. Proporcione la información que se le solicita y haga clic en **OK** (Aceptar). Se creará el certificado y se podrá configurar la contraseña con seguridad. Todo el tráfico hacia y desde la cámara de red se cifrará a partir de este punto.

3. A continuación, escriba una contraseña y vuelva a escribirla para confirmarla. Haga clic en **OK** (Aceptar). La contraseña ya se ha configurado.

Para crear una conexión HTTPS, inicie haciendo clic en este botón.

Para configurar directamente la contraseña a través de una conexión sin cifrar, escriba aquí la contraseña.

4. Para iniciar sesión, escriba el nombre de usuario 'root' en el cuadro de diálogo.
Nota: El nombre de usuario predeterminado para el administrador root no se puede eliminar.
5. Escriba la contraseña que introdujo anteriormente y haga clic en **Aceptar**.
Nota: Si ha perdido u olvidado la contraseña, la cámara debe restablecerse a los valores iniciales. Consulte la página 110.

Acceso a la transmisión de vídeo

La página Live View de la cámara de red aparece con enlaces a las herramientas de configuración que le permiten personalizar la cámara.

En caso necesario, haga clic en Yes (Sí) para instalar AMC (AXIS Media Control), lo que permite ver la transmisión de vídeo en Internet Explorer. Para ello, debe tener derechos de administrador en el equipo.

Si es necesario, haga clic en el enlace para instalar los decodificadores que faltan.

Nota: Para instalar AMC en Windows 7/Windows Vista, debe ejecutar Internet Explorer como administrador. Haga clic con el botón derecho en el icono de Internet Explorer y seleccione Run as administrator.

Configuración: proporciona todas las herramientas necesarias para configurar la cámara según sus necesidades.

Ayuda: presenta ayuda en línea sobre todos los aspectos del uso de la cámara.



Otros métodos para configurar la dirección IP

En esta tabla se presentan otros métodos disponibles para configurar o detectar la dirección IP. Todos los métodos están habilitados de forma predeterminada y es posible deshabilitarlos.

	Uso en sistema operativo	Notas
UPnP™	Windows	La cámara se detecta y añade a "Mis sitios de red" automáticamente, siempre que esta opción esté habilitada en el equipo.
Bonjour	MAC OS X (10.4 o posterior)	Aplicable a exploradores compatibles con Bonjour. Navegue hasta el favorito Bonjour del explorador (p. ej., Safari) y haga clic en el vínculo para acceder a las páginas web de la cámara.
Servicio de DNS dinámico de AXIS	Todos	Servicio gratuito suministrado por Axis que permite instalar la cámara de forma rápida y sencilla. Es necesario disponer de conexión a Internet sin proxy HTTP. Para obtener más información, consulte www.axiscam.net .
ARP/Ping	Todos	Consulte la información más abajo. El comando debe emitirse en los dos minutos posteriores al encendido de la cámara.
DHCP	Todos	Para acceder a las páginas de administrador del servidor DHCP en red, consulte la documentación del servidor.

AXIS Video Hosting System (AVHS)

La cámara también se puede conectar a un servicio AVHS de vídeo alojado. Si se ha suscrito a un servicio AVHS, siga las instrucciones incluidas en la Guía de instalación del proveedor de servicios. Para más información y asistencia para encontrar un proveedor de servicios AVHS local, visite www.axis.com/hosting

La clave de autenticación del propietario de la cámara ("Camera owner authentication key") se encuentra en la contracubierta de este documento. La clave está asociada con el número de serie (S/N) único de la cámara, que se muestra en la parte superior de la etiqueta.

Nota:

Conserve la clave para referencia en el futuro.

Configuración de la dirección IP con ARP/Ping

1. Adquiera una dirección IP en el mismo segmento de red en el que está conectado su equipo.
2. Localice el número de serie (S/N) en la etiqueta de producto de la cámara.
3. Abra una línea de comando en su equipo y escriba los comandos siguientes:

Sintaxis en Windows:	Ejemplo en Windows:
arp -s <Dirección IP> <Número de serie> ping -l 408 -t <Dirección IP>	arp -s 192.168.0.125 00-40-8c-18-10-00 ping -l 408 -t 192.168.0.125
Sintaxis en UNIX/Linux/Mac:	Ejemplo en UNIX/Linux/Mac:
arp -s <Dirección IP> <Número de serie> temp ping -s 408 <Dirección IP>	arp -s 192.168.0.125 00:40:8c:18:10:00 temp ping -s 408 192.168.0.125

4. Compruebe que el cable de red esté conectado a la cámara y desconecte y vuelva a conectar la corriente para iniciarla o reiniciarla.
5. Cierre la línea de comando cuando vea "Reply from 192.168.0.125:" (Respuesta de 192.168.0.125:) ...' o similar.
6. En el explorador, escriba `http://<dirección IP>` en el campo Localización/Dirección y pulse Intro en el teclado.

Notas:

- Para abrir una línea de comando en Windows: desde el menú Start (Inicio), seleccione Run... (Ejecutar...) y escriba cmd. Haga clic en OK (Aceptar).
- Para utilizar el comando ARP en Windows 7/Windows Vista, haga clic con el botón derecho del ratón en el icono de línea de comando y seleccione **Ejecutar como administrador**.
- Para utilizar el comando ARP en un sistema operativo Mac OS X, utilice la herramienta Terminal, que se encuentra en Application (Aplicaciones) > Utilities (Utilidades).

Conectores de la unidad

Conector de red: conector Ethernet RJ-45. Admite PoE (alimentación de alta potencia a través de Ethernet, IEEE 802.3af Class 3). Se deben utilizar cables blindados de conformidad con la EMC.

Multiconector: Vea *Cable multiconector (no incluido)*, en la página 108 : conector terminal para la conexión de equipos externos:

- Equipos de audio
- Dispositivos de entrada/salida (E/S)
- Alimentación eléctrica CA/CC

Para conectar equipos externos a la cámara AXIS P5512 es necesario un cable multiconector a fin de mantener la clasificación IP51. El cable multiconector se puede adquirir en un proveedor de Axis. Para obtener más información, consulte el Manual del usuario disponible en el CD de productos de vídeo en red de AXIS suministrado con este producto o en el sitio web www.axis.com.

Ranura para tarjeta SDHC: es necesaria una tarjeta SD estándar o de gran capacidad (no incluida) para guardar las imágenes localmente en la cámara de red. Para insertar y sacar la tarjeta SD hay que retirar la cubierta superior de la cámara, consulte la sección *Instalación de una tarjeta SD (opcional)*, en la página 95.

Nota:

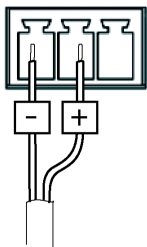
Antes de retirar la tarjeta SD hay que desinstalarla para no dañar las grabaciones. Para desinstalar la tarjeta SD, vaya a **Setup (Configuración) > System Options (Opciones de sistema) > Storage (Almacenamiento) > SD Card (tarjeta SD)** y haga clic en **Unmount (Desinstalar)**. Para obtener más información, consulte el Manual del usuario disponible en el CD de productos de vídeo en red de AXIS suministrado con este producto o en el sitio web www.axis.com.

Cable multiconector (no incluido)

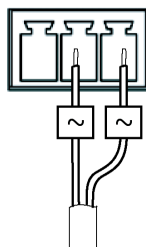
Para conectar equipos externos a la cámara AXIS P5512 es necesario un cable multiconector a fin de mantener la clasificación IP51 de la cámara. El cable multiconector se puede adquirir en un proveedor de Axis.

Conecte el cable multiconector al multiconector de la cámara. Consulte la ilustración en la página página 93 y las instrucciones en las páginas página 95 y página 96. El cable incluye los siguientes conectores:

Conector de alimentación: bloque de terminales de 3 pines para entrada de alimentación.



Entrada de alimentación CC, 24-34 V CC.
AXIS P5512: máx.: 15,7 W

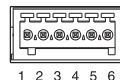


Entrada de alimentación CA, 20-24 V CA
AXIS P5512: máx.: 23,5 VA

Entrada de audio (rosa): conector de 3,5 mm para micrófono mono, o entrada de línea de señal mono (se usa el canal izquierdo de una señal estéreo).

Salida de audio (verde): salida de audio de 3,5 mm (nivel de línea) que se puede conectar a un sistema de megafonía pública o a un altavoz activo con amplificador incorporado. También pueden conectarse unos auriculares. Debe utilizarse un conector estéreo para la salida de audio.

Conector de terminales de E/S: utilizado en aplicaciones como detección de movimiento, activación de eventos, grabación a intervalos y notificaciones de alarma. Además de un pin de alimentación auxiliar y un pin de masa, el conector de terminales de E/S tiene 4 pines que pueden configurarse como entrada o salida. Estos pines proporcionan la interfaz para:



- **Salida digital:** para conectar dispositivos externos como relés y LED. Se pueden activar dispositivos conectados mediante la interfaz de programación de aplicaciones VAPIX®, los botones de salida de la página Live View o mediante un **Event Type (Tipo de evento)**. La salida se mostrará activa (en **Events [Eventos] > Port Status [Estado del puerto]**) si el dispositivo de alarma está activado.

- Entrada digital: una entrada de alarma para conectar dispositivos que puedan alternar entre circuito cerrado y abierto, como por ejemplo: PIR, contactos de puertas y ventanas y detectores de rotura de cristales. Cuando se recibe una señal, el estado cambia y la entrada se vuelve activa (indicado en **Events [Eventos] > Port Status [Estado del puerto]**).

Función	Pines	Notas	Especificaciones
Tierra	1	Tierra	
Alimentación de 3,3 V CC	2	Se puede utilizar para alimentar equipos auxiliares. Nota: Este pin <u>solo</u> se puede usar como salida de alimentación.	Carga máx. = 250 mA
Configurable (entrada o salida)	3-6	Entrada digital: conecte a la toma de tierra para activarla o déjela suelta (desconectada) para desactivarla.	0 a +40 V CC
		Salida digital: conexión interna a tierra cuando esté activada, suelta (desconectada) cuando esté desactivada. Si se usa con un relé externo, debe conectarse un diodo en paralelo con la carga como protección ante oscilaciones de voltaje.	Carga máx. = 100 mA Tensión máx. = +40 V CC

Indicadores de estado de la AXIS P5512

Color	Indicación
Apagado	Conexión continua/funcionamiento normal
Ámbar	Fijo durante el inicio del sistema y el restablecimiento de los valores iniciales. Parpadea durante la actualización del firmware.
Ámbar y rojo	Sin conexión a la red
Rojo	Fallo de actualización de firmware
Verde	Fijo durante 10 segundos después de un reinicio correcto

Nota:

Para obtener más información sobre los indicadores de estado de la cámara AXIS P5512, consulte el Manual del usuario disponible en el CD de productos de vídeo en red de AXIS suministrado con este producto o en el sitio web www.axis.com.

Restablecimiento de los valores iniciales

Para restablecer la cámara a los valores iniciales, utilice el botón de control y el botón de reinicio que se encuentran en el lateral de la cámara, consulte la sección *Presentación del hardware*, en la página 92 como se describe a continuación:

Mediante los botones de control y reinicio se restablecerán los valores iniciales de todos los parámetros, incluida la dirección IP:

1. Retire la cubierta superior, consulte la sección *Retirada del embalaje de protección*, en la página 94.
2. Mantenga pulsados al mismo tiempo los botones de control y reinicio.
3. Suelte el botón de reinicio pero siga manteniendo pulsado el de control.
4. Mantenga el botón de control pulsado hasta que el indicador de estado cambie a ámbar (puede tardar hasta 15 segundos).
5. Suelte el botón de control.
6. Cuando el indicador de estado cambie a verde (puede tardar hasta 1 minuto), habrá finalizado el proceso y se habrán restablecido los valores iniciales de la cámara. La unidad tiene ahora la dirección IP predeterminada 192.168.0.90.
7. Vuelva a colocar la cubierta superior en su posición original.
8. Vuelva a asignar la dirección IP mediante uno de los métodos descritos en la sección *Asignación de una dirección IP*, en la página 99.

También es posible restablecer los parámetros a la configuración predeterminada original mediante la interfaz web. Para obtener más información, consulte la ayuda en línea o el Manual del usuario disponible en el CD de productos de vídeo en red de AXIS suministrado con este producto.

Acceso a la cámara desde Internet

Una vez instalada, podrá acceder a la cámara de red desde su red local (LAN). Para acceder a la cámara desde Internet, los routers deben configurarse para permitir tráfico entrante, que normalmente se realiza en un puerto específico.

- Puerto HTTP (puerto 80 predeterminado) para visualización y configuración
- Puerto RTSP (puerto 554 predeterminado) para visualización de transmisiones de vídeo H.264

Consulte la documentación de su router para obtener más instrucciones. Si desea más información sobre éste y otros temas, visite la página web de ayuda de Axis en www.axis.com/techsup

Más información

El Manual del usuario está disponible en el sitio web de Axis, www.axis.com, o en el CD de productos de vídeo en red de AXIS suministrado con este producto.

Un consejo:

Visite www.axis.com/techsup para comprobar si hay disponible firmware actualizado para su cámara de red. Para consultar la versión firmware que tiene instalada actualmente, vaya a Setup (Configuración) > About (Acerca de).

Installation Guide

AXIS P5512

© Axis Communications AB, 2011-2014

Ver. 2.0

Printed: December 2014

Part No. 61283