



# AXIS 210/210A/211/211A Network Camera

## Installation Guide

ENGLISH

FRANÇAIS

DEUTSCH

ITALIANO

ESPAÑOL



# AXIS 210/210A/211/211A Installation Guide

This installation guide provides instructions for installing the AXIS 210/210A/211/211A Network Camera on your network. For all other aspects of using the product, please see the User's Manual, available on the CD included in this package, or from [www.axis.com/techsup](http://www.axis.com/techsup)

## Installation steps

1. Check the package contents against the list below.
2. Hardware overview. See page 4.
3. Install the hardware. See page 6.
4. Set an IP address. See page 7.
5. Set the password. See page 10.
6. Adjust the focus. See page 11.
7. Change the camera's web interface language (optional). See page 12.

**Important!**  
This product must be used in compliance with local laws and regulations.

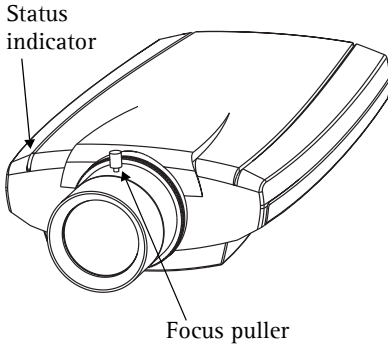
ENGLISH

### 1 Package contents

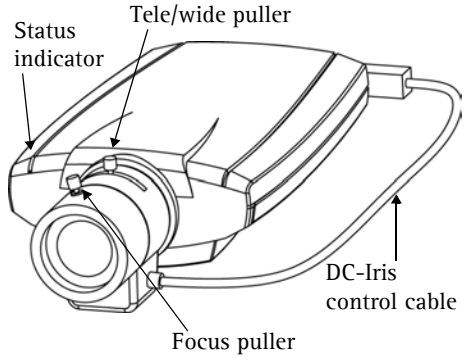
Item	Models/variants/notes
Network camera	<ul style="list-style-type: none"> <li>• AXIS 210</li> <li>• AXIS 210A: PoE, two-way audio and built-in microphone</li> <li>• AXIS 211: PoE, Varifocal DC-iris lens</li> <li>• AXIS 211A: PoE, two-way audio and built-in microphone, Varifocal DC-iris lens</li> </ul>
PS-K indoor power supply (country specific)	Europe, UK, Australia, USA/Japan, Argentina, Korea
Camera stand	Supplied with mounting screws
Terminal block connector	4-pin connector block for connecting external devices to the I/O terminal connector
CD	Axis Network Video Product CD, including installation tools and other software, product documentation
Printed Materials	AXIS 210/210A/211/211A Installation Guide (this document) Axis Warranty Document

## 2 Hardware overview

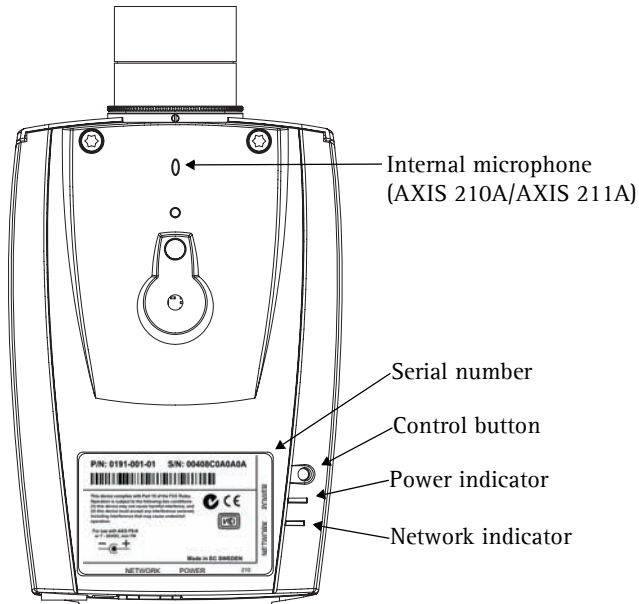
### AXIS 210/AXIS 210A

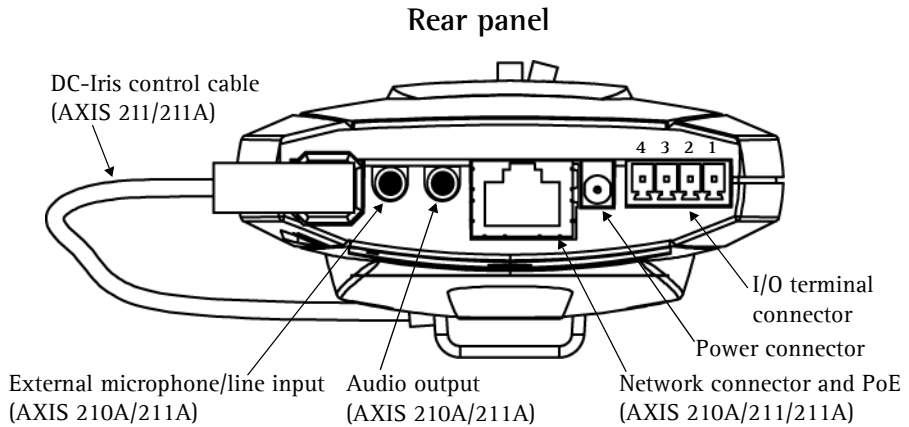


### AXIS 211/AXIS 211A



### Underside





ENGLISH

**Note:**

Depending on the product version of your AXIS 210/210A/211/211A, you will see one of two different types of I/O terminal connectors. See *I/O terminal connector*, on page 15.

**Dimensions**

**AXIS 210/210A:**

HxWxD = 38 x 88 x 157mm (1.5" x 3.4" x 6.2")

Weight (AXIS 210) = 305g (0.67lb) excl. power supply

Weight (AXIS 210A) = 325g (0.72lb) excl. power supply

**AXIS 211/211A:**

HxWxD = 38 x 95 x 178mm (1.5" x 3.7" x 7")

Weight = 345g (0.76lb) excl. power supply

### 3 Install the hardware

- IMPORTANT!** - The 210/210A is designed for indoor use only, and must always be positioned where it is not exposed to direct sunlight or strong halogen light, which can cause permanent damage to the camera's image sensor. Damage as a result of exposure to strong light is not covered by the Axis warranty.

**IMPORTANT!** - The AXIS 211/211A is designed for indoor and outdoor use. To use the camera outdoors, it must be installed in an approved outdoor housing. Please see [www.axis.com](http://www.axis.com) for more information on outdoor housings.

#### Connect the camera



1. Connect the Network Camera to your network using a standard network cable. Using Shielded Twisted Pair (STP) cables is recommended.
2. Optionally connect external input/output devices, e.g. alarm devices. See page 15 for information on the terminal connector pins.
3. Optionally connect an active speaker and/or external microphone.
4. Connect power, using one of the methods listed below:
  - The supplied power connector.
  - Power over Ethernet (PoE). If available, this is automatically detected when the network cable is connected (see above).
  - The I/O terminal connector on the rear panel.
5. Check that the indicator LED:s indicate the correct conditions. See the table on page 16 for further details. Note that some LED:s can be disabled and may be unlit.

## 4 Assign an IP address

To make it accessible on the network, the AXIS 210/210A/211/211A must be assigned an IP address.

Depending on the number of cameras you wish to install, the recommended method for assigning IP addresses in Windows is either **AXIS IP Utility** or **AXIS Camera Management**. Use the method that best suits your purpose.

Both of these free applications are available on the Axis Network Video Product CD supplied with this product, or they can be downloaded from [www.axis.com/techsup](http://www.axis.com/techsup)

Method	Recommended for	Operating system
 AXIS IP Utility See page 8	Single camera Small installations	Windows
 AXIS Camera Management See page 9	Multiple cameras Large installations Installation on a different subnet	Windows 2000 Windows XP Pro Windows 2003 Server

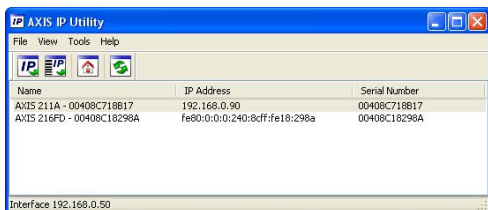
### Notes:

- A network DHCP server is optional.
- The AXIS 210/210A/211/211A has the default IP address 192.168.0.90
- If assigning the IP address fails, check that there is no firewall blocking the operation.
- For other methods of assigning or discovering the IP address of the AXIS 210/210A/211/211A, e.g. in other operating systems, see page 10.

## AXIS IP Utility - single camera/small installation

AXIS IP Utility automatically discovers and displays Axis devices on your network. The application can also be used to manually assign a static IP address.


Note that the computer running AXIS IP Utility must be on the same network segment (physical subnet) as the AXIS 210/210A/211/211A.



### Automatic discovery

1. Check that the AXIS 210/210A/211/211A is connected to the network and that power has been applied.
2. Start AXIS IP Utility.
3. When the camera appears in the window, double-click it to open its home page.
4. See page 10 for instructions on how to assign the password.

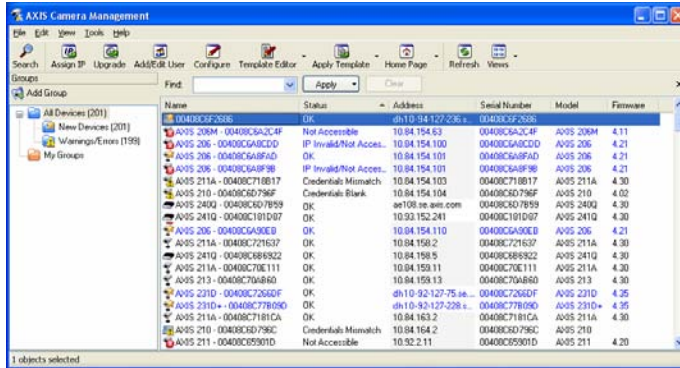
### Assign the IP address manually

1. Acquire an unused IP address on the same network segment as your computer.
2. Click the button  **Assign new IP address using serial number** and enter the serial number and IP address for the AXIS 210/210A/211/211A. The serial number is located on the product label.
3. Click the **Assign** button and follow the instructions.
4. Click the **Home Page** button to access the camera's web pages.
5. See page 10 for instructions on how to set the password.



## AXIS Camera Management – multiple cameras/large installations

AXIS Camera Management can automatically find and set IP addresses, show connection status, and manage firmware upgrades for multiple Axis video products.



ENGLISH

### Automatic discovery

1. Check that the camera is connected to the network and that power has been applied.
2. Start AXIS Camera Management. When the AXIS 210/210A/211/211A appears in the window, double-click it to open the camera’s home page.
3. See page 10 for instructions on how to set the password.

### Set the IP address in multiple devices

AXIS Camera Management speeds up the process of assigning IP addresses to multiple devices, by suggesting IP addresses from a specified range.

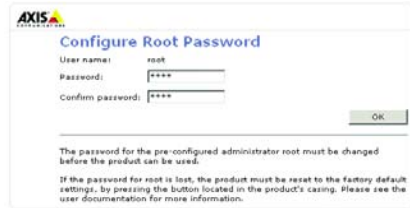
1. Select the devices you wish to configure (different models can be selected) and click the Assign IP button.
2. Select Obtain IP addresses automatically (DHCP), click the Update button and the program will search in the specified range and suggest an IP address for each device.

-or-

Enter the range of IP addresses, the subnet mask and default router that devices can use and click the Update button.

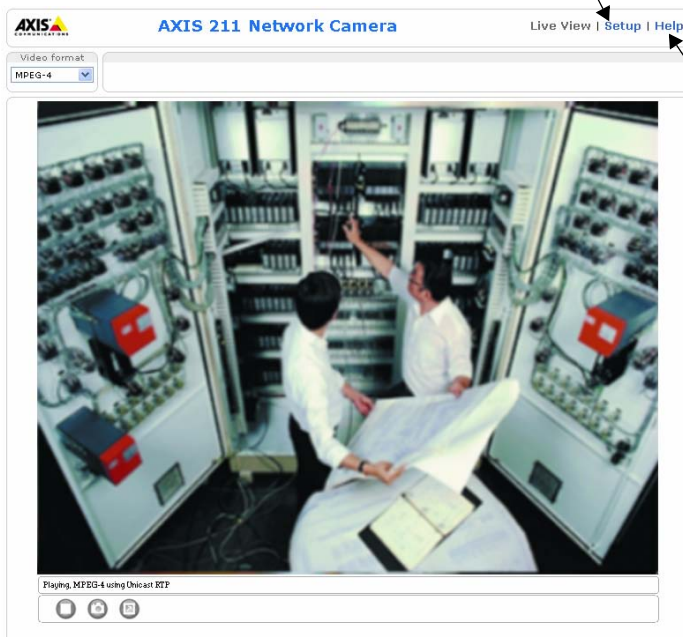
## 5 Set the password

When accessing the AXIS 210/210A/211/211A for the first time, the 'Configure Root Password' dialog will be displayed.



1. Enter a password and then re-enter it, to confirm the spelling. Click OK.
2. Enter the user name root in the dialog.  
Note: The default administrator user name root cannot be deleted.
3. Enter the password as set above, and click OK. If the password is lost, the AXIS 210/210A/211/211A must be reset to the factory default settings. See page 17.
4. If required, click Yes to install AMC (AXIS Media Control), which allows viewing of the video stream in Internet Explorer. You will need administrator rights on the computer to do this. The Live View page of the AXIS 210/210A/211/211A is displayed, with links to the Setup tools, which allow you to customize the camera.

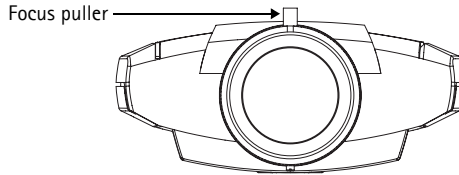
Setup - Provides all the tools for configuring the camera to requirements.



Help - Displays online help on all aspects of using the camera.

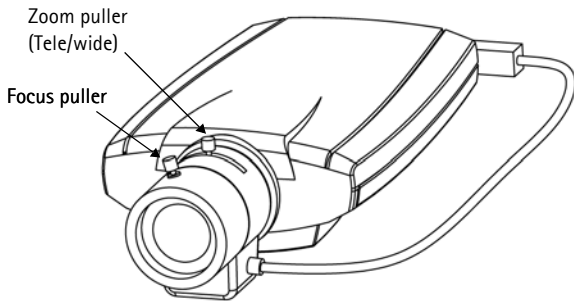
## 6 Adjust the image and focus

To focus the AXIS 210/210A, unscrew the focus puller on the lens. Adjust the focus as required. Re-tighten the focus puller.



To focus the AXIS 211/211A follow the instructions below.

1. From the **Basic Configuration** page in the setup tools, open the **Focus adjustment** page.
2. Set the DC-Iris to *Disabled* and click **Save**.
3. Unscrew the zoom puller on the lens by turning it anti-clockwise. Adjust the zoom setting as required. Re-tighten the zoom puller.
4. Unscrew the focus puller on the lens. Adjust the focus as required. Re-tighten the focus puller.
5. From the **Focus adjustment** page, set the DC-Iris to *Enabled* and click **Save**.



**Note:** The DC-Iris should always be disabled while focusing the camera. This opens the iris to its maximum, which gives the smallest depth of field and thus the best conditions for correct focusing. When the focus is set with this method it will then be maintained in any light conditions.

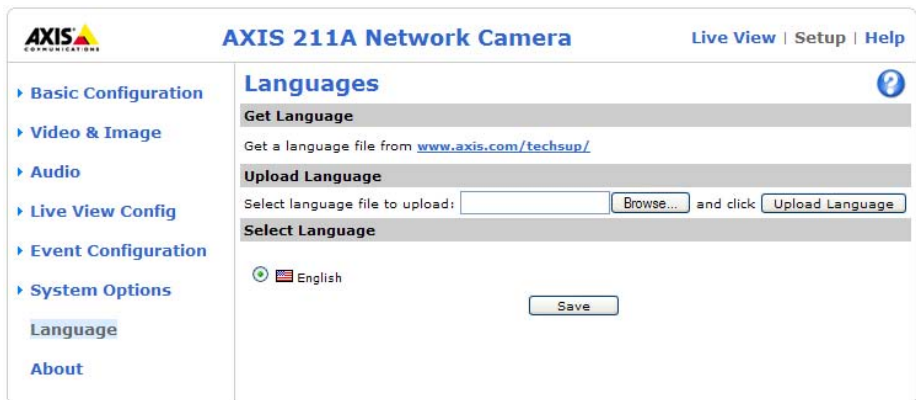
## Accessing the AXIS 210/210A/211/211A from the Internet

Once installed, your AXIS 210/210A/211/211A is accessible on your local network (LAN). To access the camera from the Internet, network routers must be configured to allow incoming traffic, which is usually done on a specific port. Please refer to the documentation for your router for further instructions. For more information on this and other topics, visit the Axis Support Web at [www.axis.com/techsup](http://www.axis.com/techsup)

## 7 Language interface

After you have installed the Network Camera, you can download and install a language module to change the camera's web interface to a language other than English:

1. Go to **Setup > Language**.
2. Download the desired language from [www.axis.com/techsup/](http://www.axis.com/techsup/) and save it temporarily to your computer.
3. Click the **Browse** button and locate the language file.
4. Click **Upload Language**. The language you uploaded will appear under **Select Language**.
5. Select the language you want to use with your Axis camera, and click **Save**.



The screenshot displays the web interface for an AXIS 211A Network Camera. The top navigation bar includes the AXIS logo, the camera model name "AXIS 211A Network Camera", and links for "Live View", "Setup", and "Help". A left-hand menu lists various configuration categories: Basic Configuration, Video & Image, Audio, Live View Config, Event Configuration, System Options, Language (highlighted), and About. The main content area is titled "Languages" and features a help icon. It is divided into three sections: "Get Language" with a link to [www.axis.com/techsup/](http://www.axis.com/techsup/); "Upload Language" with a text input field for the file name, a "Browse..." button, and an "Upload Language" button; and "Select Language" which shows "English" as the selected option with a "Save" button below it.

## Other methods of assigning the IP address

The table below shows the other methods available for assigning or discovering the IP address. All methods are enabled by default, and all can be disabled.

	Use in operating system	Notes
UPnP™	Windows	When enabled on your computer, the camera is automatically detected and added to "My Network Places."
Bonjour	MAC OSX (10.4 or later)	Applicable to browsers with support for Bonjour. Navigate to the Bonjour bookmark in your browser (e.g. Safari) and click on the link to access the camera's web pages.
AXIS Internet Dynamic DNS Service	All	A free service from Axis that allows you to quickly and simply install your camera. Requires an Internet connection with no HTTP proxy. See <a href="http://www.axiscam.net">www.axiscam.net</a> for more information.
ARP/Ping	All	See below. The command must be issued within 2 minutes of connecting power to the camera.
View DHCP server admin pages	All	To view the admin pages for the network DHCP server, please see the server's own documentation.

### Set the IP address with ARP/Ping

1. Acquire an IP address on the same network segment your computer is connected to.
2. Locate the serial number (S/N) on the AXIS 210/210A/211/211A label.
3. Open a command prompt on your computer and enter the following commands:

Windows syntax	Windows example
<pre>arp -s &lt;IP Address&gt; &lt;Serial Number&gt; ping -l 408 -t &lt;IP Address&gt;</pre>	<pre>arp -s 192.168.0.125 00-40-8c-18-10-00 ping -l 408 -t 192.168.0.125</pre>
UNIX/Linux/Mac syntax	UNIX/Linux/Mac example
<pre>arp -s &lt;IP Address&gt; &lt;Serial Number&gt; temp ping -s 408 &lt;IP Address&gt;</pre>	<pre>arp -s 192.168.0.125 00:40:8c:18:10:00 temp ping -s 408 192.168.0.125</pre>

4. Check that the network cable is connected to the camera and then start/restart the camera, by disconnecting and reconnecting power.
5. Close the command prompt when you see 'Reply from 192.168.0.125: ...' or similar.
6. In your browser, type in `http://<IP address>` in the Location/Address field and press Enter on your keyboard.

### Notes:

- To open a command prompt in Windows: from the Start menu, select Run... and type cmd. Click OK.
- To use the ARP command on a Mac OS X, use the Terminal utility in Application > Utilities.

## Unit connectors

**Network connector** - RJ-45 Ethernet connector. Supports Power over Ethernet. Using Shielded Twisted Pair (STP) cables is recommended.

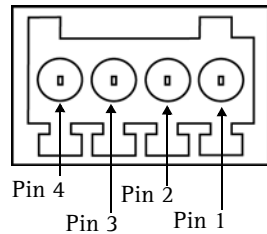
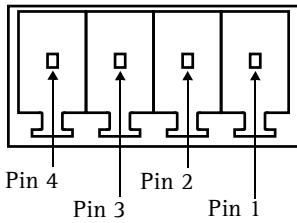
**Power connector** - Mini DC connector. 7-20V DC, max 5W.

**Audio in** - 3.5mm input for a mono microphone, or a line-in mono signal (left channel is used from a stereo signal).

**Audio out** - Audio output (line level) that can be connected to a public address (PA) system or an active speaker with a built-in amplifier. A pair of headphones can also be attached. A stereo connector must be used for the audio out.

**I/O terminal connector** - Used in applications for e.g. motion detection, event triggering, time lapse recording, alarm notifications, etc. It provides the interface to:

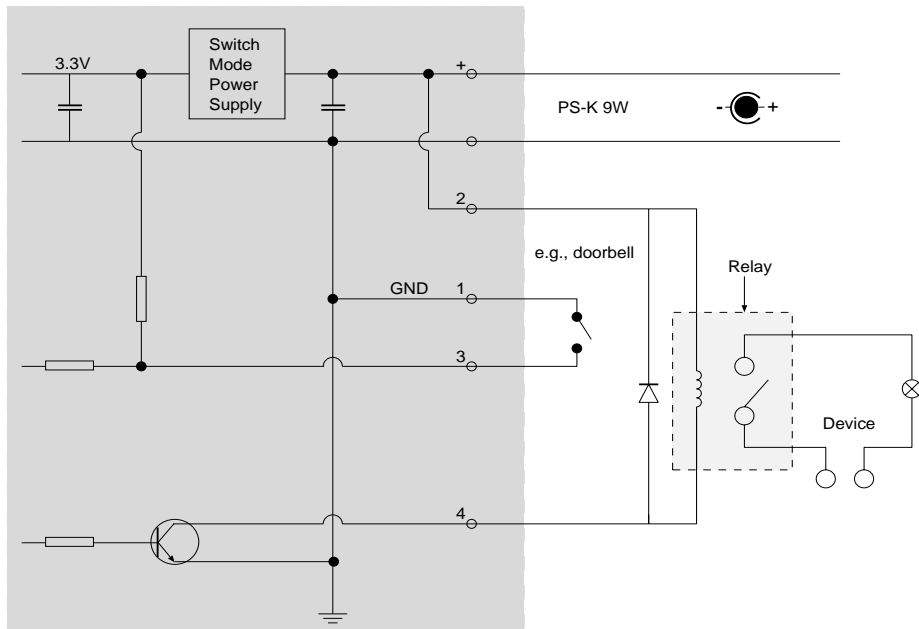
- 1 transistor output - For connecting external devices such as relays and LEDs. Connected devices can be activated by AXIS VAPIX API, output buttons on the Live View page or by an Event Type. The output will show as active (shown under Event Configuration > Port Status) if the alarm device is activated.
- 1 digital input - An alarm input for connecting devices that can toggle between an open and closed circuit, for example: PIRs, door/window contacts, glass break detectors, etc. When a signal is received the state changes and the input becomes active (shown under Event Configuration > Port Status).
- Auxiliary power and GND.



Function	Pin number	Notes	Specifications
Transistor Output	4	Uses an open-collector NPN transistor with the emitter connected to the GND pin. If used with an external relay, a diode must be connected in parallel with the load, for protection against voltage transients.	Max load = 50mA Max voltage = 24V DC (to the transistor)
Digital Input	3	Connect to GND to activate, or leave floating (or unconnected) to deactivate.	Must not be exposed to voltages greater than 10V DC
7 - 20 V DC Power	2	Can be used to power auxiliary equipment.	Max load = 50mA
GND	1		

ENGLISH

## Connection diagram



## LED indicators

LED	Color	Indication
Network	Green	Steady for connection to a 100 Mbit/s network. Flashes for network activity.
	Amber	Steady for connection to 10 Mbit/s network. Flashes for network activity.
	Unlit	No network connection.
Status	Green	Steady green for normal operation. Note: The Status LED can be configured to be unlit during normal operation, or to flash only when the camera is accessed. To configure, go to Setup > System Options > LED settings. See the online help files for more information.
	Amber	Steady during startup, during reset to factory default or when restoring settings.
	Red	Slow flash for failed upgrade.
Power	Green	Normal operation.
	Amber	Flashes green/amber during firmware upgrade.



## Resetting to the Factory Default Settings

This will reset all parameters, including the IP address, to the factory default settings:

1. Disconnect power from the camera.
2. Press and hold the Control button and reconnect power.
3. Keep the Control button pressed until the Power indicator flashes amber (this may take up to 15 seconds).
4. Release the Control button. When the Power indicator displays green (which can take up to 1 minute) the process is complete and the camera has been reset.
5. Re-assign the IP address, using one of the methods described in this document.

It is also possible to reset parameters to the original factory default settings via the web interface. For more information, please see the online help or the user's manual.

### Further information

The user's manual is available from the Axis Web site at [www.axis.com](http://www.axis.com) or from the Axis Network Video Product CD supplied with this product.

**Tip!**

Visit [www.axis.com/techsup](http://www.axis.com/techsup) to check if there is updated firmware available for your AXIS 210/210A/211/211A. To see the currently installed firmware version, see the Basic Configuration web page in the product's Setup tools.



# AXIS 210/210A/211/211A

## Guide d'installation

Ce guide d'installation vous explique comment installer la Caméra Réseau AXIS 210/210A/211/211A sur votre réseau. Pour d'autres informations sur l'utilisation de ce produit, consultez le Manuel de l'utilisateur, disponible sur le CD fourni ou sur [www.axis.com/techsup](http://www.axis.com/techsup).

### Étapes de l'installation

1. Vérifiez le contenu de la livraison à l'aide de la liste ci-dessous.
2. Présentation du matériel. Reportez-vous à la page 20.
3. Installation du matériel. Reportez-vous à la page 22.
4. Paramétrez une adresse IP. Reportez-vous à la page 23.
5. Définissez le mot de passe. Reportez-vous à la page 26.
6. Réglez la mise au point. Reportez-vous à la page 27.
7. Changez la langue de l'interface Web de la caméra (facultatif). Reportez-vous à la page 28.

**Important !**

Ce produit doit être utilisé conformément aux lois et dispositions locales en vigueur.

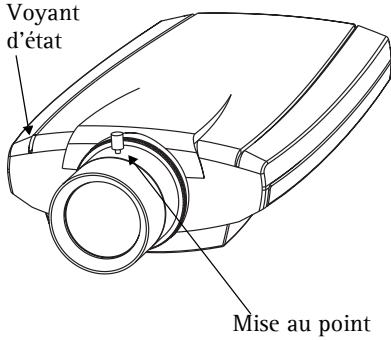
FRANÇAIS

### 1 Contenu de l'emballage

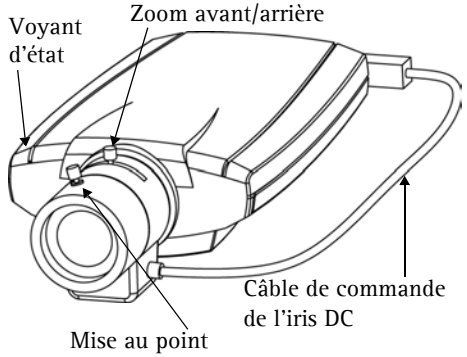
Article	Modèles/variantes/remarques
Caméra réseau	<ul style="list-style-type: none"> <li>• AXIS 210</li> <li>• AXIS 210A : PoE, fonction audio bilatérale et microphone intégré</li> <li>• AXIS 211 : PoE, objectif à focale variable Iris DC</li> <li>• AXIS 211A : PoE, fonction audio bilatérale et microphone intégré, objectif à focale variable Iris DC</li> </ul>
Alimentation intérieure secteur PS-K (dépend du pays)	Europe Royaume-Uni Australie États-Unis/Japon Argentine Corée
Pied de la caméra	Fourni avec des vis de montage
Connecteur pour terminaux	Connecteur 4 broches pour la connexion d'équipements externes au connecteur E/S
CD	CD du produit vidéo réseau Axis comprenant les outils d'installation, les autres logiciels et la documentation
Documentation imprimée	AXIS 210/210A/211/211A Guide d'installation (le présent document) Document de garantie d'Axis

## 2 Présentation du matériel

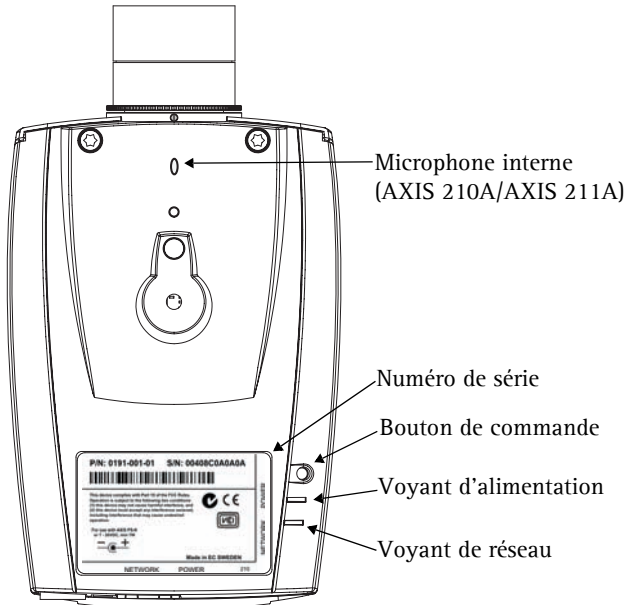
### AXIS 210/AXIS 210A

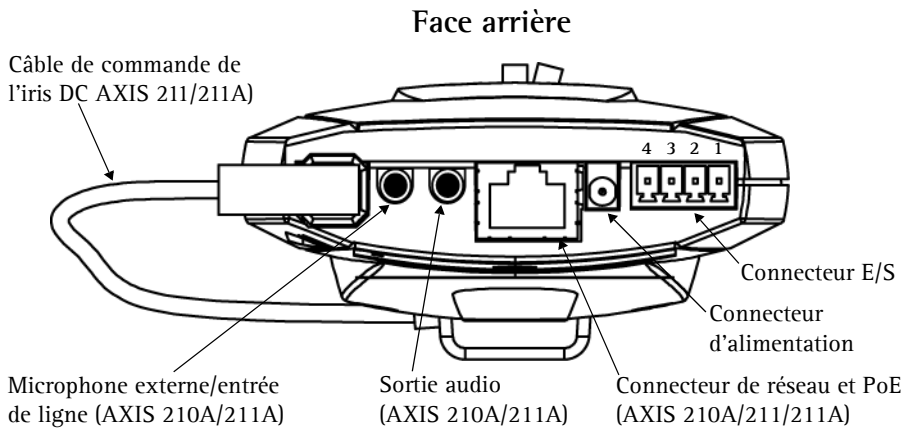


### AXIS 211/AXIS 211A



### Vue de dessous





**Remarque:** Suivant la version de votre AXIS 210/210A/211/211A, vous trouverez l'un des deux différents types de terminal de connexion d'E/S. Voir *Connecteur pour terminaux E/S* à la page 31.

## Dimensions

### AXIS 210/210A:

H x L x P = 38 x 88 x 157 mm (1,5 " x 3,4 " x 6,2 ")

Poids (AXIS 210) = 305 g (0,67 lb) alimentation exclue

Poids (AXIS 210A) = 325 g (0,72 lb) alimentation exclue

### AXIS 211/211A:

H x L x P = 38 x 95 x 178 mm (1,5 " x 3,7 " x 7 ")

Poids = 345 g (0,76 lb) alimentation exclue

### 3 Installation du matériel

- !** **IMPORTANT!** - La caméra AXIS 210/210A est conçue pour une utilisation intérieure seulement. Elle ne doit jamais être exposée directement aux rayons du soleil ou à une forte lumière halogène pouvant endommager définitivement le capteur d'image de la caméra. La garantie d'Axis ne couvre pas les dommages suite à une exposition à une forte lumière.

**!** **IMPORTANT!** - La caméra AXIS 211/211A est conçue pour une utilisation intérieure et extérieure. Pour pouvoir être utilisée à l'extérieur, la caméra doit être placée dans une housse homologuée. Visitez le site [www.axis.com](http://www.axis.com) pour plus d'informations sur les housses.

#### Connectez la caméra



1. Connectez la caméra à votre réseau à l'aide d'un câble de réseau blindé. Il est recommandé d'utiliser des câbles à paires torsadées blindés (STP).
2. Si vous le souhaitez, connectez des dispositifs externes, par exemple des dispositifs d'alarme. Reportez-vous à la page 30 pour plus d'informations sur les broches du connecteur pour terminaux.
3. Si vous le souhaitez, connectez un haut-parleur actif pour la transmission audio bidirectionnelle.
4. Branchez l'alimentation à l'aide de l'une des méthodes reprises ci-dessous.
  - PoE (Alimentation électrique par câble ethernet). Si disponible, ceci est automatiquement détecté quand le câble réseau est connecté (Voir au -dessus).
  - Branchez l'alimentation fournie au connecteur d'alimentation de la caméra.
  - Branchez l'alimentation via le connecteur pour terminaux. Reportez-vous à la page 30 pour plus d'informations sur les broches du connecteur pour terminaux.
5. Vérifiez que les témoins DEL indiquent les conditions correctes. Pour plus d'informations, consultez le tableau à la page 32. Notez que certains témoins DEL peuvent être désactivés et éteints.

## 4 Paramétrage d'une adresse IP

Pour que la caméra AXIS 210/210A/211/211A soit accessible sur le réseau, vous devez lui affecter une adresse IP.

Selon le nombre de caméras à installer, pour définir des adresses IP sous Windows, il est recommandé d'utiliser **AXIS IP Utility** ou **AXIS Camera Management**. Employez l'application qui vous convient le mieux.

Ces deux applications gratuites sont disponibles sur le CD de la caméra vidéo réseau Axis fourni avec ce produit. Vous pouvez également les télécharger à partir du site [www.axis.com/techsup](http://www.axis.com/techsup).

Méthode	Recommandée pour	Système d'exploitation
 AXIS IP Utility Reportez-vous à la page 24	Une seule caméra Les petites installations	Windows
 AXIS Camera Management Reportez-vous à la page 25	Plusieurs caméras Les grandes installations Le installation sur un sous-réseaux différent	Windows 2000 Windows XP Pro Windows 2003 Server

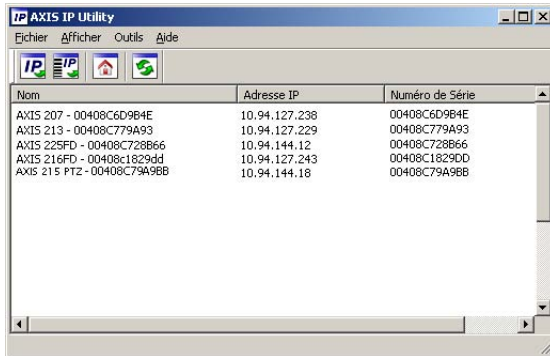
### Remarques

- Un serveur DHCP réseau est fourni en option.
- L'adresse IP par défaut de la AXIS 210/210A/211/211A est 192.168.0.90.
- En cas d'échec de la définition de l'adresse IP, vérifiez qu'aucun pare-feu ne bloque l'opération.
- Pour connaître les autres méthodes de paramétrage ou de repérage de l'adresse IP de la caméra AXIS 210/210A/211/211A, par exemple sur d'autres systèmes d'exploitation, reportez-vous à la page 33.

## AXIS IP Utility - Une seule caméra/petite installation

L'utilitaire AXIS IP Utility détecte et affiche automatiquement les périphériques Axis de votre réseau. Cette application sert également à définir manuellement une adresse IP statique.


Notez que l'ordinateur exécutant l'application AXIS IP Utility doit se trouver sur le même segment de réseau (sous-réseau physique) que la caméra AXIS 210/210A/211/211A.



### Détection automatique

1. Vérifiez que la caméra AXIS 210/210A/211/211A est connectée au réseau et que l'alimentation est activée.
2. Démarrez AXIS IP Utility.
3. Lorsque l'icône de la caméra apparaît dans la fenêtre, double-cliquez dessus pour ouvrir la page d'accueil correspondante.
4. Consultez la page 26 pour savoir comment définir le mot de passe.

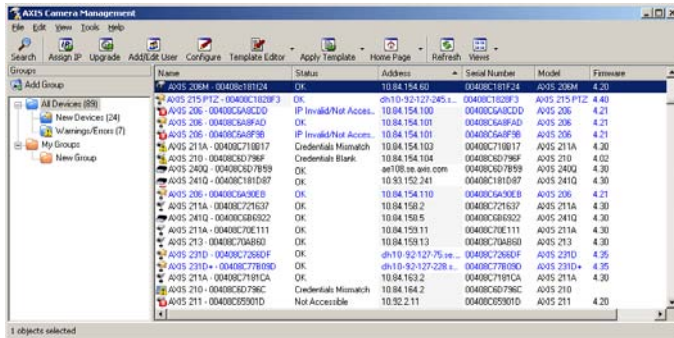
### Définissez manuellement l'adresse IP.

1. Trouvez une adresse IP inutilisée sur le même segment de réseau que celui de votre ordinateur.
2. Cliquez sur le bouton  Paramétrer une nouvelle adresse IP en utilisant le numéro de série, puis saisissez le numéro de série et l'adresse IP de votre caméra AXIS 210/210A/211/211A. Le numéro de série se trouve sur l'étiquette du produit.
3. Cliquez sur le bouton Paramétrer et suivez les instructions.
4. Cliquez sur le bouton Page d'accueil pour accéder aux pages Web de la caméra.
5. Consultez la page 26 pour savoir comment définir le mot de passe.



## AXIS Camera Management – Plusieurs caméras/grandes installations

AXIS Camera Management détecte et définit automatiquement les adresses IP, affiche les états de connexion et gère les mises à niveau de microcode de nombreux produits vidéo Axis.



### Détection automatique

1. Vérifiez que la caméra est connectée au réseau et que l'alimentation est activée.
2. Démarrez AXIS Camera Management. Double-cliquez sur l'icône AXIS 210/210A/211/211A lorsqu'elle apparaît dans la fenêtre de façon à ouvrir la page d'accueil.
3. Consultez la page 26 pour savoir comment définir le mot de passe.

### Paramétrer l'adresse IP sur plusieurs appareils

AXIS Camera Management accélère le processus d'affectation d'adresses IP sur plusieurs appareils en suggérant les adresses IP parmi une plage spécifiée.

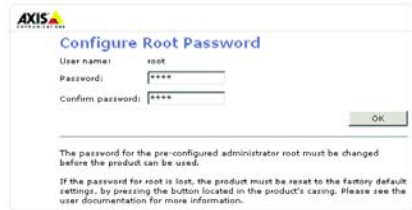
1. Sélectionnez les appareils à configurer (il peut s'agir de plusieurs modèles), puis cliquez sur le bouton **Assign IP** (Affecter une adresse IP).
2. Sélectionnez **Obtain IP addresses automatically (DHCP)** (Obtenir les adresses IP automatiquement (DHCP)), puis cliquez sur le bouton **Update** (Mettre à jour). L'application effectue une recherche dans la plage indiquée et suggère une adresse IP pour chaque appareil.

-ou-

Saisissez la plage d'adresses IP, le masque de sous-réseau et le routeur par défaut que les appareils peuvent utiliser, puis cliquez sur le bouton **Update** (Mettre à jour).

## 5 Définition du mot de passe

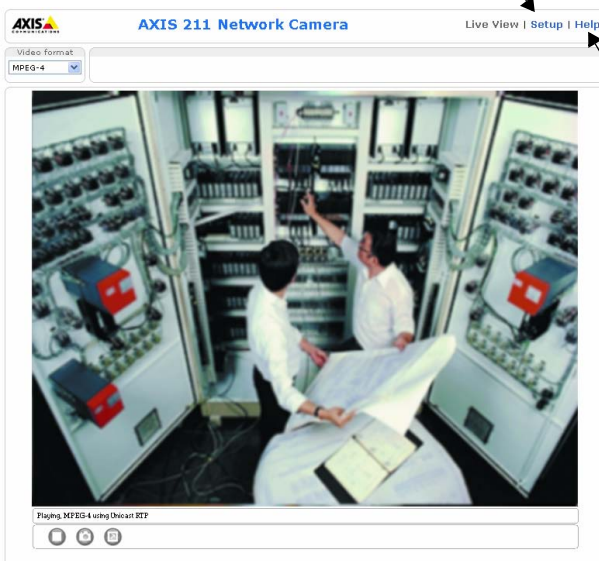
Si vous accédez à la caméra AXIS 210/210A/211/211A pour la première fois, la boîte de dialogue **Configure Root Password** (Configurer le mot de passe root) s'affiche.



1. Entrez un mot de passe et entrez-le une seconde fois pour en confirmer l'orthographe. Cliquez sur **OK**.
2. Saisissez le nom d'utilisateur root dans la boîte de dialogue (Entrer le mot de passe réseau).  
Remarque : le nom d'utilisateur par défaut de l'administrateur, à savoir root, ne peut pas être supprimé.
3. Entrez le mot de passe comme expliqué ci-dessus, puis cliquez sur **OK**. Si vous avez oublié votre mot de passe, vous devez rétablir les paramètres d'usine par défaut de la caméra AXIS 210/210A/211/211A. Reportez-vous à la page 33.
4. Si nécessaire, cliquez sur **Yes (Oui)** pour installer AMC (Axis Media Control) afin de pouvoir visualiser le flux vidéo dans Internet Explorer. Pour ce faire, vous devez être connecté à votre ordinateur avec les droits d'administrateur.

La page **Live View** (Vidéo en direct) de la caméra AXIS 210/210A/211/211A s'affiche, avec des liens vers les outils de configuration pour adapter la caméra à vos besoins.

**Setup (Configuration)**: contient tous les outils nécessaires pour adapter la caméra à vos besoins.



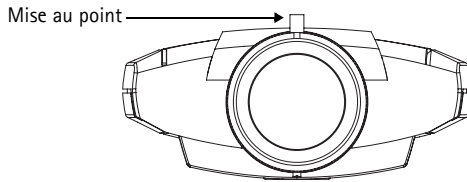
**Help (Aide)**: affiche une aide en ligne sur l'utilisation de la caméra.

## 6 Réglage de la mise au point

Pour effectuer une mise au point sur la caméra AXIS 210/210A, enlevez la mise au point de l'objectif en la faisant tourner dans le sens inverse des aiguilles d'une montre.

Réglez la mise au point, si

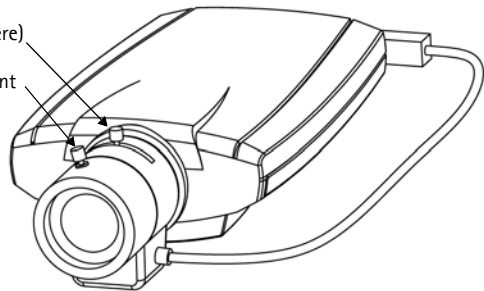
nécessaire. Remettez la mise au point en place en la faisant tourner dans le sens des aiguilles d'une montre.



Pour effectuer une mise au point sur la caméra AXIS 211/211A, suivez les instructions ci-dessous.

1. À partir de la page **Basic Configuration (Configuration de base)** des outils de configuration, ouvrez la page **Focus Adjustment (Réglage de la mise au point)**.

Zoom  
(Avant/arrière)  
Mise au point



2. Paramétrez l'Iris DC sur *Disabled (Désactivé)*, puis cliquez sur **Save (Enregistrer)**.

3. Enlevez le zoom de l'objectif en le faisant tourner dans le sens inverse des aiguilles d'une montre. Réglez le zoom, si nécessaire. Remettez le zoom en place en le faisant tourner dans le sens des aiguilles d'une montre.

4. Enlevez la mise au point de l'objectif en la faisant tourner dans le sens inverse des aiguilles d'une montre. Réglez la mise au point, si nécessaire. Remettez la mise au point en place en la faisant tourner dans le sens des aiguilles d'une montre.

5. Sur la page **Focus Adjustment (Réglage de la mise au point)**, paramétrez l'Iris DC sur *Enabled (Activé)*, puis cliquez sur **Save (Enregistrer)**.

**Remarque:** L'Iris DC doit toujours être désactivé lors de la mise au point de la caméra.

Le diaphragme s'ouvre au maximum, ce qui offre la plus petite profondeur de champ et, par conséquent, les meilleures conditions pour une mise au point correcte. Lorsque la mise au point est définie par cette méthode, elle est conservée dans toutes les conditions d'éclairage.

## Accès à la caméra AXIS 210/210A/211/211A depuis Internet

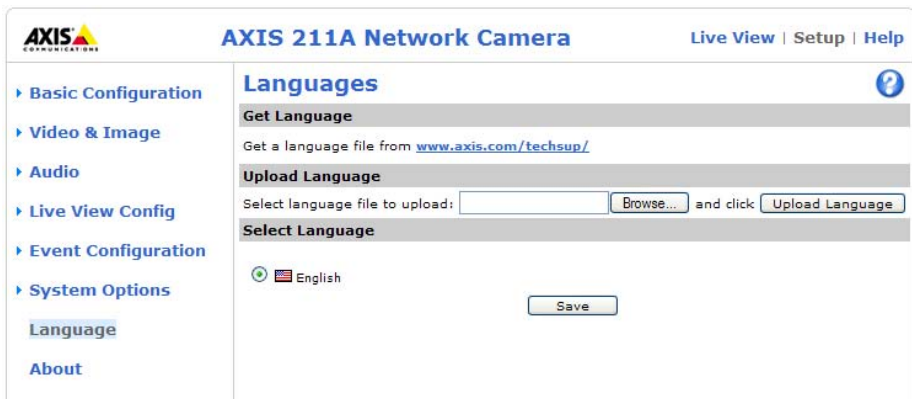
Une fois installée, votre caméra AXIS 210/210A/211/211A est accessible depuis votre réseau local (LAN). Pour accéder à la caméra depuis Internet, vous devez configurer les routeurs réseau afin d'autoriser l'entrée de données, ce qui se fait généralement sur un port spécifique. Consultez la documentation de votre routeur pour obtenir davantage d'instructions.

Pour de plus amples informations, visitez le site de support d'Axis sur [www.axis.com/techsup](http://www.axis.com/techsup).

### 7 Interface de langue

Après l'installation de la caméra réseau, vous pouvez télécharger et installer le module de langue pour modifier l'interface Web de la caméra et choisir une autre langue que l'anglais :

1. Sélectionnez **Setup > Language (Configuration > Langue)**.
2. Téléchargez la langue souhaitée depuis l'adresse [www.axis.com/techsup/](http://www.axis.com/techsup/) et enregistrez-la temporairement sur votre ordinateur.
3. Cliquez sur le bouton **Browse (Parcourir)** pour enregistrer la nouvelle fenêtre.
4. Cliquez sur **Upload Language (Télécharger une langue)**. La langue que vous avez téléchargée apparaît dans la zone **Select Language (Choisir la langue)**.
5. Sélectionnez la langue que vous voulez utiliser pour votre caméra Axis et cliquez sur **Save (Enregistrer)**.



## Autres méthodes de définition de l'adresse IP

Le tableau ci-dessous indique les autres méthodes permettant de définir ou de déterminer l'adresse IP. Toutes les méthodes sont activées par défaut et désactivables.

	Système d'exploitation	Remarques
UPnP™	Windows	Lorsque la caméra est activée sur votre ordinateur, elle est détectée et ajoutée automatiquement au dossier Favoris réseau.
Bonjour	MAC OS X (10.4 ou version ultérieure)	Applicable aux navigateurs prenant en charge Bonjour. Accédez au raccourci de Bonjour dans votre navigateur (par exemple, Safari), puis cliquez sur le lien pour accéder aux pages Web de la caméra.
AXIS Dynamic DNS Service	Tous	Service Axis gratuit vous permettant d'installer rapidement votre caméra en toute simplicité. Nécessite une connexion Internet sans proxy HTTP Pour plus d'informations, visitez le site <a href="http://www.axiscam.net">www.axiscam.net</a> .
ARP/Ping	Tous	Reportez-vous aux instructions ci-dessous. La commande doit être saisie dans les 2 minutes suivant la connexion de l'alimentation à la caméra.
Serverur DHCP	Tous	Pour consulter les pages administratives du serveur DHCP réseau, reportez-vous à la documentation du serveur.

FRANCAIS

### Définition de l'adresse IP à l'aide d'ARP/Ping

1. Trouvez une adresse IP sur le même segment de réseau que celui de votre ordinateur.
2. Repérez le numéro de série (S/N) sur l'étiquette de la caméra AXIS 210/210A/211/211A.
3. Ouvrez une invite de commande sur votre ordinateur et entrez les commandes suivantes:

Syntaxe pour Windows	Exemple pour Windows
arp -s <adresse IP> <numéro de série> ping -l 408 -t <adresse IP>	arp -s 192.168.0.125 00-40-8c-18-10-00 ping -l 408 -t 192.168.0.125
Syntaxe pour UNIX/Linux/Mac	Exemple pour UNIX/Linux/Mac
arp -s <adresse IP > <numéro de série> temp ping -s 408 <adresse IP>	arp -s 192.168.0.125 00:40:8c:18:10:00 temp ping -s 408 192.168.0.125

4. Vérifiez que le câble réseau est connecté à la caméra, puis démarrez/redémarrez cette dernière en débranchant, puis en rebranchant l'alimentation.
5. Fermez la commande d'invite quand vous voyez « Reply from 192.168.0.125: ... » (Réponse de 192.168.0.125 : ...) ou un message similaire.
6. Dans votre navigateur, tapez <http://<adresse IP>> dans le champ Emplacement/Adresse, puis appuyez sur Entrée sur le clavier.

### Remarques

- Pour ouvrir une invite de commande sous Windows : dans le menu Démarrer, sélectionnez Exécuter... et tapez cmd (ou commande sous Windows 98/ME). Cliquez sur OK.
- Pour utiliser la commande ARP sur Mac OS X, utilisez l'utilitaire Terminal dans Application > Utilitaires.

## Connecteurs de l'unité

**Connecteur de réseau** - Connecteur Ethernet RJ-45. Il est recommandé d'utiliser des câbles à paires torsadées blindés (STP).

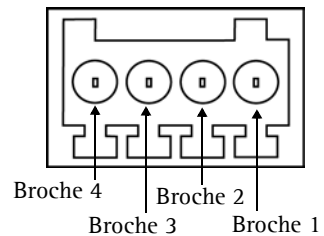
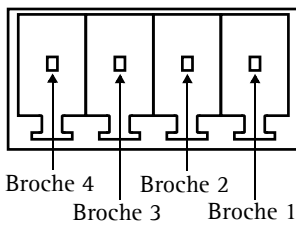
**Connecteur d'alimentation** - Miniconnecteur CC. 7-20 V CC, jusqu'à 5 W.

**Entrée audio** - Entrée 3,5 mm pour microphone mono ou entrée de ligne pour signal mono (le canal de gauche est utilisé pour un signal stéréo).

**Sortie audio** - Sortie audio (niveau de ligne) pouvant être connectée à un système de sonorisation ou à un haut-parleur actif avec amplificateur intégré. Un casque peut également être connecté. Pour une sortie audio, un connecteur stéréo doit être utilisé.

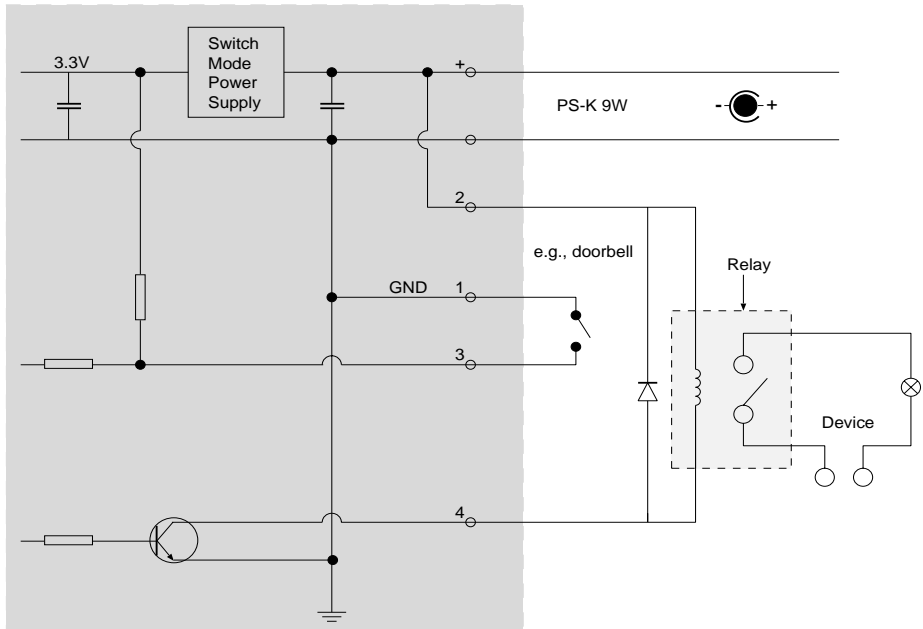
**Connecteur pour terminaux E/S** - Utilisé dans les applications, par exemple pour la détection de mouvement, le déclenchement d'événements, l'enregistrement à intervalles, les notifications d'alarme, etc. Il sert d'interface aux éléments suivants :

- 1 sortie transistor : permet de connecter des dispositifs externes tels que les relais et les voyants. Les dispositifs connectés peuvent être activés à l'aide des boutons de sortie sur la page Live View (Vidéo en direct) ou à l'aide d'un type d'événement. La sortie est considérée comme étant active (dans Event Configuration (Configuration d'événement) > Port Status (État du port)) si le dispositif d'alarme est activé.
- 1 entrée numérique : entrée d'alarme utilisée pour connecter des dispositifs pouvant passer d'un circuit ouvert à un circuit fermé, par exemple : les détecteurs infrarouge passifs, les contacts de porte/fenêtre, les détecteurs de bris de verre, etc. Lorsqu'un signal est reçu, l'état change et l'entrée devient active (elle apparaît sous Event Configuration (Configuration d'événement) > Port Status (État du port)).
- Alimentation auxiliaire et mise à la terre.



Numéro de broche	Fonction	Remarques	Spécifications
4	Sortie transistor	Utilise un transistor NPN à collecteur ouvert avec émetteur connecté au contact à la masse. En cas d'utilisation avec un relais externe, une diode doit être connectée en parallèle avec la charge, comme protection contre les tensions transitoires.	Charge maximale = 50 mA Tension maximale = 24 V CC (vers le transistor)
3	Entrée numérique	Connectez-la au GND pour l'activer ou laissez-la flotter (ou déconnectée) pour la désactiver.	Ne doit pas être exposée à une tension supérieure à 10 V CC
2	Alimentation 7-20 V CC	Peut être utilisée pour alimenter un équipement auxiliaire.	Charge maximale = 50 mA
1	GND		

## Diagramme de connexion



## Témoins DEL

Témoin DEL	Couleur	Indication
Connecteur	Vert	Continu en cas de connexion à un réseau 100 Mbits/s. Clignote en cas d'activité réseau.
	Orange	Continu en cas de connexion à un réseau 10 Mbits/s. Clignote en cas d'activité réseau.
	Éteint	Pas de connexion réseau.
État	Vert	Vert continu en cas de fonctionnement normal. Remarque : Le voyant d'état peut être configuré pour être éteint au cours du fonctionnement normal, ou pour clignoter uniquement lors des accès à la caméra. Pour effectuer la configuration, cliquez sur Setup > System Options > LED settings (Configuration > Options système > Paramètres DEL). Reportez-vous à l'aide en ligne pour plus d'informations.
	Orange	En continu pendant le démarrage, la réinitialisation des valeurs d'usine ou la restauration des paramètres.
	Rouge	Clignote lentement en cas d'échec de la mise à niveau.
Connecteur	Vert	Fonctionnement normal.
	Orange	Clignote en vert/orange pendant la mise à niveau du microcode.



## Rétablissement des paramètres d'usine par défaut

Procédez comme suit pour revenir aux paramètres par défaut définis en usine et réinitialiser l'adresse IP :

1. Débranchez l'alimentation de la caméra.
2. Maintenez enfoncé le bouton de réinitialisation (à l'arrière de la caméra) et rebranchez l'alimentation.
3. Maintenez le bouton enfoncé jusqu'à ce que le voyant d'état émette une lumière jaune (cela peut prendre jusqu'à 15 secondes) puis relâchez le bouton.
4. Quand le voyant d'état émet une lumière verte (ce qui peut prendre jusqu'à 1 minute), la caméra est revenue aux paramètres par défaut définis en usine.
5. Réinstallez la caméra AXIS 210/210A/211/211A à l'aide d'une des méthodes d'installation décrite dans ce document.

## Plus d'informations

Le Manuel de l'utilisateur est disponible sur le site Web d'Axis, [www.axis.com](http://www.axis.com), ou sur le CD du produit vidéo réseau Axis fourni avec la caméra.

**Conseil :**

Visitez le site [www.axis.com/techsup](http://www.axis.com/techsup) pour vérifier si des microcode mis à jour sont disponibles pour votre caméra AXIS 210/210A/211/211A. Pour connaître la version du microcode actuellement installée, reportez-vous à la page Web Basic Configuration (Configuration de base) dans les outils de configuration du produit.



# AXIS 210/210A/211/211A

## Installationsanleitung

In dieser Anleitung wird die Installation der AXIS 210/210A/211/211A Netzwerkkamera in einem Netzwerk beschrieben. Alle weiteren Hinweise zur Verwendung des Produkts finden Sie im Benutzerhandbuch, das auf der mitgelieferten CD oder auf unserer Webseite unter [www.axis.com/techsup](http://www.axis.com/techsup) zur Verfügung steht.

### Installationsschritte

1. Prüfen Sie, ob alle in der nachfolgenden Liste aufgeführten Komponenten vorhanden sind.
2. Hardwareübersicht: Siehe Seite 36.
3. Hardware installieren. Siehe Seite 38.
4. IP-Adresse festlegen. Siehe Seite 39.
5. Kennwort festlegen. Siehe Seite 42.
6. Stellen Sie die Bildschärfe ein. Siehe Seite 43.
7. Sprache der Weboberfläche der Kamera ändern (optional). Siehe Seite 44.

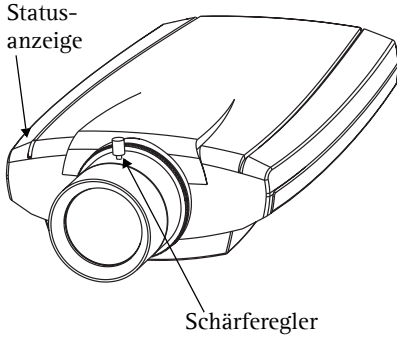
**Wichtiger Hinweis!**  
Verwenden Sie dieses Produkt nur gemäß der geltenden rechtlichen Bestimmungen.

### 1 Lieferumfang

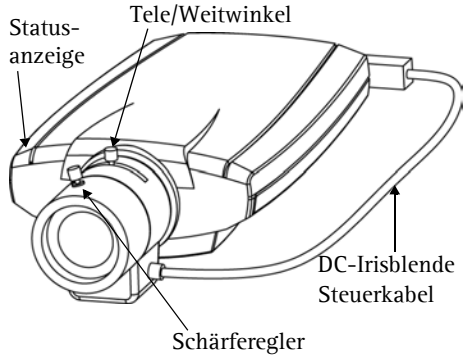
Komponente	Modelle/Varianten/Anmerkungen
Netzwerkkamera	<ul style="list-style-type: none"><li>• AXIS 210</li><li>• AXIS 210A: PoE, bidirektionales Audio und integriertes Mikrofon</li><li>• AXIS 211: PoE, Varifokal-Objektiv mit DC-Irisblende</li><li>• AXIS 211A: PoE, bidirektionales Audio und integriertes Mikrofon, Varifokal-Objektiv mit DC-Irisblende</li></ul>
PS-K-Netzteil für geschlossene Räume (landesspezifisch)	Europa Großbritannien Australien USA/Japan Argentinien Korea
Kamerastativ	Wird mit Schrauben geliefert
Anschlussblock	4-poliger Anschlussblock zum Verbinden externer Geräte mit dem E/A-Anschluss
CD	CD für Axis-Netzwerkvideoprodukte einschließlich Installationstools und anderer Software sowie Produktdokumentation
Gedruckte Dokumente	AXIS 210/210A/211/211A Installationshandbuch (dieses Dokument) Axis-Garantieerklärung

## 2 Hardwareübersicht

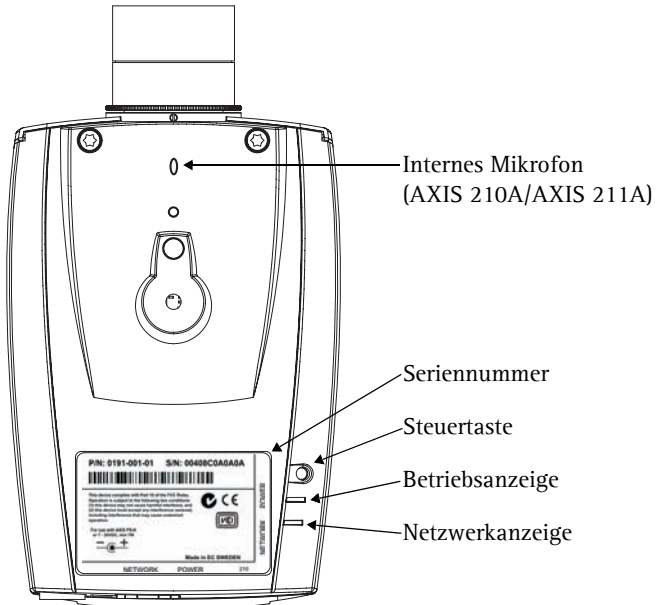
AXIS 210/AXIS 210A



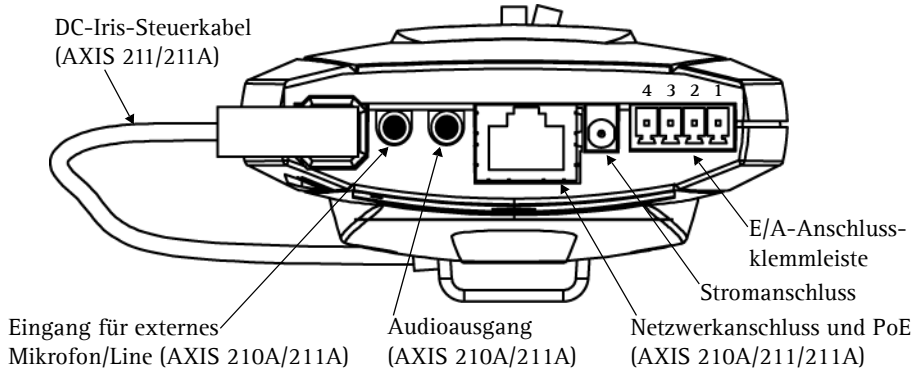
AXIS 211/AXIS 211A



### Unterseite



## Rückseite



### Note:

Abhängig von der Produktversion Ihrer AXIS 210/210A/211/211A sehen Sie einen der zwei verschiedenen E/A Anschlussleistentypen. Sie finden ausführlichere Informationen hierzu auf Seite 47.

## Abmessungen

### AXIS 210/210A:

H × B × T = 38 × 88 × 157 mm

Gewicht (AXIS 210) = 305 g ohne Netzteil

Gewicht (AXIS 210A) = 325 g ohne Netzteil

### AXIS 211/211A:

H × B × T = 38 × 95 × 178 mm

Gewicht = 345 g ohne Netzteil

## 3 Hardware installieren

- WICHTIG!** - Die AXIS 210/210A ist nur für die Verwendung in Innenräumen vorgesehen und muss grundsätzlich so aufgestellt werden, dass sie keiner direkten Sonneneinstrahlung oder starkem Halogenlicht ausgesetzt ist, da dies zu dauerhaften Schäden am Bildsensor führen kann. Die Garantie von Axis erstreckt sich nicht auf Beschädigungen infolge zu starker Lichteinstrahlung.
- 

**WICHTIG!** - Die AXIS 211/211A ist für die Verwendung sowohl in Innenräumen als auch für den Außeneinsatz geeignet. Um die Kamera im Freien zu verwenden, muss sie in einem zugelassenen Außengehäuse installiert werden. Auf unserer Homepage unter [www.axis.com](http://www.axis.com) finden Sie weitere Informationen über Außengehäuse.

### Kamera anschließen



1. Verbinden Sie die Kamera über ein geschirmtes Netzkabel mit dem Netzwerk. Die Verwendung von geschirmten Twisted Pair-Kabeln wird empfohlen.
2. Sie können zusätzlich externe Geräte, wie z. B. Alarmanlagen, anschließen. Informationen zur Anschlussbelegung finden Sie auf Seite 46.
3. Optional können Sie für eine bidirektionale Audioverbindung zusätzlich einen Aktivlautsprecher anschließen.
4. Schließen Sie die Kamera auf eine der folgenden Arten an die Stromversorgung an:
  - PoE-Anschluss (Power over Ethernet). Wenn PoE vorhanden ist wird der Anschluss automatisch, bei Anschluss des Netzkabels (siehe oben), erkannt.
  - Schließen Sie das mitgelieferte Netzteil an den Netzanschluss der Kamera an.
  - Benutzen Sie den E/A-Anschluss. Informationen zur Anschlussbelegung finden Sie auf Seite 46.
5. Überprüfen Sie, ob die LED-Anzeigen die Betriebszustände korrekt angeben. Weitere Informationen finden Sie in der Tabelle auf Seite 48. Beachten Sie, dass LEDs deaktiviert sein können und deshalb nicht leuchten.

## 4 Legen Sie eine IP-Adresse fest.

Der AXIS 210/210A/211/211A muss eine IP-Adresse zugewiesen werden, damit sie im Netzwerk verfügbar ist.

Von der Anzahl der zu installierenden Kameras hängt ab, ob die IP-Adressen unter Windows mit Hilfe von **AXIS IP Utility** oder **AXIS Camera Management** eingerichtet werden sollten. Verwenden Sie die für Ihre Zwecke geeignete Methode.

Beide Anwendungen stehen kostenlos auf der mitgelieferten CD für Axis-Netzwerkvideoprodukte zur Verfügung oder können unter [www.axis.com/techsup](http://www.axis.com/techsup) heruntergeladen werden.

Methode	Empfohlen für	Betriebssystem
 <b>AXIS IP Utility</b> Siehe Seite 40	Einzelne Kamera Kleine Installationen	Windows
 <b>AXIS Camera Management</b> Siehe Seite 41	Mehrere Kameras Große Installationen Installation in unterschiedlichen Subnetzen	Windows 2000 Windows XP Pro Windows 2003 Server

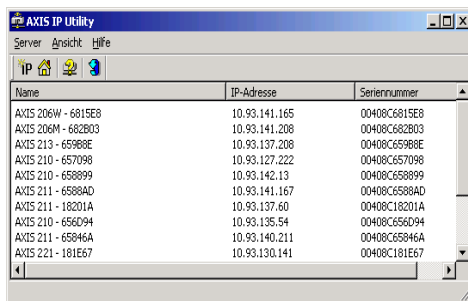
### Hinweise:

- Optional kann ein DHCP-Server im Netzwerk genutzt werden.
- Die Standard-IP-Adresse der AXIS 210/210A/211/211A lautet 192.168.0.90.
- Falls ein Festlegen der IP-Adresse nicht möglich ist, müssen ggf. die Einstellungen der Firewall überprüft werden.
- Weitere Informationen zu alternativen Methoden zum Festlegen bzw. Ermitteln der IP-Adresse der AXIS 210/210A/211/211A (z. B. in anderen Betriebssystemen) finden Sie auf Seite 43.

## AXIS IP Utility – Einzelne Kamera/Kleine Installation

AXIS IP Utility erkennt automatisch im Netzwerk vorhandene Axis-Geräte und zeigt diese an. Die Anwendung kann außerdem zum manuellen Festlegen einer statischen IP-Adresse verwendet werden.

Beachten Sie, dass sich die AXIS 210/210A/211/211A und der Computer, auf dem AXIS IP Utility ausgeführt wird, im gleichen Netzwerksegment (physisches Subnetz) befinden müssen.



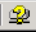
The screenshot shows the 'AXIS IP Utility' application window. It has a menu bar with 'Server', 'Ansicht', and 'Hilfe'. Below the menu bar are three icons: a globe, a camera, and a magnifying glass. The main area contains a table with three columns: 'Name', 'IP-Adresse', and 'Seriennummer'. The table lists 12 camera entries with their respective IP addresses and serial numbers.

Name	IP-Adresse	Seriennummer
AXIS 206W - 6815E8	10.93.141.165	00408C6815E8
AXIS 206M - 682803	10.93.141.208	00408C682803
AXIS 213 - 65988E	10.93.137.208	00408C65988E
AXIS 210 - 657098	10.93.127.222	00408C657098
AXIS 210 - 658899	10.93.142.13	00408C658899
AXIS 211 - 6588AD	10.93.141.167	00408C6588AD
AXIS 211 - 18201A	10.93.137.60	00408C18201A
AXIS 210 - 656094	10.93.135.54	00408C656094
AXIS 211 - 65846A	10.93.140.211	00408C65846A
AXIS 221 - 181E67	10.93.130.141	00408C181E67

### Automatische Erkennung

1. Stellen Sie sicher, dass die AXIS 210/210A/211/211A an das Netzwerk und an die Stromversorgung angeschlossen ist.
2. Starten Sie AXIS IP Utility.
3. Doppelklicken Sie auf das Symbol der Kamera, um die entsprechende Homepage zu öffnen.
4. Anweisungen zum Festlegen des Kennworts finden Sie auf Seite 42.

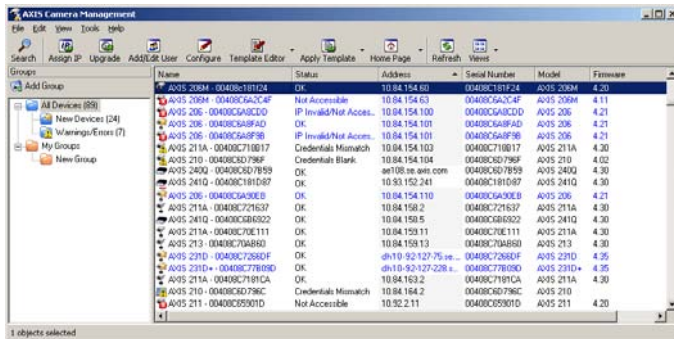
### IP-Adresse manuell festlegen

1. Wählen Sie eine nicht zugewiesene IP-Adresse aus dem Netzwerksegment, in dem sich auch Ihr Computer befindet.
2. Klicken Sie auf die Schaltfläche  Zuweisung einer neuen IP-Adresse unter Verwendung der Seriennummer und geben Sie Seriennummer und IP-Adresse der AXIS 210/210A/211/211A ein. Die Seriennummer befindet sich auf dem Produktaufkleber.
3. Klicken Sie auf die Schaltfläche Zuweisen und folgen Sie den Anweisungen.
4. Klicken Sie auf Home Page um auf die Webseiten der Kamera zuzugreifen.
5. Anweisungen zum Festlegen des Kennworts finden Sie auf Seite 42.



## AXIS Camera Management – Mehrere Kameras/Große Installation

Mit AXIS Camera Management können automatisch IP-Adressen gefunden, der Verbindungsstatus angezeigt und die Firmware-Aktualisierungen mehrerer Axis-Videoprodukte verwaltet werden.



### Automatische Erkennung

1. Stellen Sie sicher, dass die Kamera an das Netzwerk und an die Stromversorgung angeschlossen ist.
2. Starten Sie AXIS Camera Management. Doppelklicken Sie auf das Symbol der AXIS 210/210A/211/211A, um die Startseite der Kamera zu öffnen.
3. Anweisungen zum Festlegen des Kennworts finden Sie auf Seite 42.

### IP-Adresse für mehrere Geräte festlegen

AXIS Camera Management beschleunigt die Zuordnung von IP-Adressen für mehrere Geräte, indem IP-Adressen aus einem angegebenen Bereich vorgeschlagen werden.

1. Wählen Sie die zu konfigurierenden Geräte aus (es können auch unterschiedliche Modelle gewählt werden), und klicken Sie auf das Symbol Assign IP (IP-Adresse zuweisen).
2. Wählen Sie **Obtain IP addresses automatically** (IP-Adressen automatisch zuweisen) (DHCP), und klicken Sie auf die Schaltfläche **Update** (Aktualisieren). Das Programm startet eine Suche im angegebenen Bereich und schlägt für jedes Gerät eine IP-Adresse vor.  
- Oder -  
Geben Sie den Bereich der IP-Adressen, die Subnetzmaske und den Standardrouter für die Geräte ein, und klicken Sie auf die Schaltfläche **Update** (Aktualisieren).

## 5 Kennwort festlegen

Beim erstmaligen Zugriff auf die AXIS 210/210A/211/211A wird das Dialogfeld „Configure Root Password (Root-Kennwort konfigurieren)“ angezeigt.



1. Geben Sie ein Kennwort ein, und wiederholen Sie die Eingabe, um die korrekte Schreibweise zu bestätigen. Klicken Sie auf OK.
2. Geben Sie in das Dialogfeld als Kennwort „root“ ein.  
Hinweis: Der standardmäßige Administrator-Benutzername „root“ kann nicht gelöscht werden.
3. Geben Sie das in Schritt 1 festgelegte Kennwort ein, und klicken Sie auf OK. Wenn Sie das Kennwort vergessen haben, muss die AXIS 210/210A/211/211A auf die Werkseinstellungen zurückgesetzt werden. (Siehe Seite 49)
4. Klicken Sie auf Ja, um AMC (AXIS Media Control) zu installieren. Nach Abschluss der Installation können Sie Video-Streams in Microsoft Internet Explorer anzeigen. Hierzu müssen Sie über Administratorrechte für den Computer verfügen.

Die Seite „Live-View (Live-Ansicht)“ der AXIS 210/210A/211/211A wird angezeigt. Sie enthält Links zu Setup-Tools, mit denen Sie die Kamera Ihren Bedürfnissen entsprechend anpassen können.

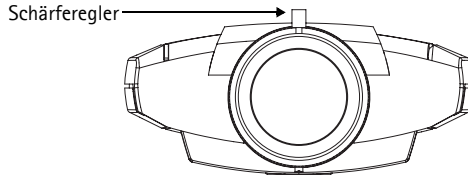
Setup: Alle zur benutzerspezifischen Konfiguration der Kamera notwendigen Werkzeuge.



Hilfe: Zum Aufrufen der Online-Hilfe für die Kamera.

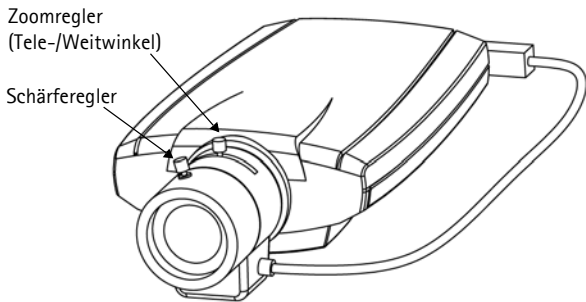
## 6 Bildschärfe einstellen

Zum Einstellen der Bildschärfe der AXIS 210/210A lösen Sie den Schärferegler am Objektiv. Stellen Sie die erforderliche Bildschärfe ein. Drehen Sie den Schärferegler wieder fest.



Gehen Sie folgendermaßen vor, um die Bildschärfe der AXIS 211/211A einzustellen.

1. Öffnen Sie unter Setup-Tools die Seite **Standard-konfiguration**, und gehen Sie dort auf die Seite **Bildschärfe einstellen**.
2. Wählen Sie **DC-Blende: Deaktiviert**, und klicken Sie auf **Speichern**.
3. Lösen Sie den Zoomregler am Objektiv, indem Sie ihn entgegen dem Uhrzeigersinn drehen. Nehmen Sie die erforderlichen Zoomeinstellungen vor. Drehen Sie den Zoomregler wieder fest.
4. Lösen Sie den Schärferegler am Objektiv. Stellen Sie die erforderliche Bildschärfe ein. Drehen Sie den Schärferegler wieder fest.
5. Wählen Sie **DC-Blende: Aktiviert**, und klicken Sie auf **Speichern**.



**Hinweis:** Die DC-Blende muss beim Scharfstellen der Kamera immer deaktiviert werden. Sie ist dann vollständig geöffnet, und die niedrigste Schärfentiefe kann erreicht werden. Dies sind die besten Voraussetzungen für eine richtige Fokussierung. Wenn Sie die Schärfe auf diese Weise regulieren, wird sie bei allen Lichtverhältnissen beibehalten.

## Auf die AXIS 210/210A/211/211A vom Internet aus zugreifen

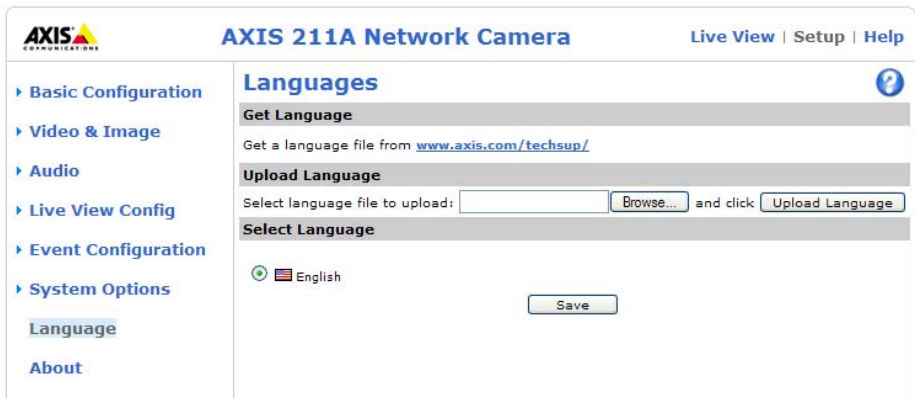
Sobald die AXIS 210/210A/211/211A installiert ist, können Sie innerhalb Ihres lokalen Netzwerks (LAN) darauf zugreifen. Um auch über das Internet auf die Kamera zugreifen zu können, müssen Sie Ihre Netzwerk-Router so konfigurieren, dass sie den entsprechenden eingehenden Datenverkehr zulassen. Dabei wird meist ein bestimmter Port gewählt. Ausführliche Informationen zu diesem Thema finden Sie in der Dokumentation des Routers.

Weitere Informationen zu diesem und anderen Themen erhalten Sie im Axis Support Web unter [www.axis.com/techsup](http://www.axis.com/techsup)

## 7 Sprachoberfläche

Nach Installation der Netzwerkkamera können Sie ein Sprachmodul herunterladen und installieren, mit dessen Hilfe Sie die Weboberfläche der Kamera auf eine andere Sprache als Englisch einstellen können:

1. Wählen Sie **Setup > Language (Sprache)**.
2. Laden Sie unter [www.axis.com/techsup/](http://www.axis.com/techsup/) die gewünschte Sprache herunter, und speichern Sie sie temporär auf Ihrem Computer.
3. Klicken Sie auf **Durchsuchen**, und suchen Sie die Sprachdatei.
4. Klicken Sie auf **Upload Language (Sprache hochladen)**. Nach dem Hochladen erscheint die Sprache unter **Select Language (Sprache auswählen)**.
5. Wählen Sie die Sprache aus, die Sie für Ihre Axis-Kamera benutzen möchten, und klicken Sie auf **Speichern**.



The screenshot displays the web interface for an Axis 211A Network Camera. The top navigation bar includes the Axis logo, the camera model name "AXIS 211A Network Camera", and links for "Live View", "Setup", and "Help". A left-hand sidebar lists configuration categories: "Basic Configuration", "Video & Image", "Audio", "Live View Config", "Event Configuration", "System Options", "Language" (which is highlighted), and "About". The main content area is titled "Languages" and contains three sections: "Get Language" with a link to [www.axis.com/techsup/](http://www.axis.com/techsup/); "Upload Language" with a text input field, a "Browse..." button, and an "Upload Language" button; and "Select Language" with a radio button selected next to "English" and a "Save" button.

## Andere Methoden zum Festlegen der IP-Adresse

Diese Tabelle bietet einen Überblick über weitere Methoden, die IP-Adresse festzulegen bzw. zu ermitteln. Alle Methoden sind standardmäßig aktiviert und können deaktiviert werden.

	Verwendung im Betriebssystem	Hinweise
UPnP™	Windows	Wenn die Funktion auf dem Computer aktiviert ist, wird die Kamera automatisch erkannt und zur „Netzwerkumgebung“ hinzugefügt.
Bonjour	MAC OSX (ab Vers. 10.4)	Kann nur bei Browsern verwendet werden, die Bonjour unterstützen. Navigieren Sie zum Bonjour-Lesezeichen Ihres Browsers (z. B. Safari), und klicken Sie auf den Link, um auf die Webseiten der Kamera zu gelangen.
AXIS Dynamic DNS Service	Alle	Ein kostenloser Service von Axis, mit dem Sie Ihre Kamera schnell und einfach installieren können. Eine Internetverbindung ohne HTTP-Proxyserver ist Voraussetzung. Weitere Informationen hierzu finden Sie auf <a href="http://www.axiscam.net">www.axiscam.net</a>
ARP/Ping	Alle	Siehe unten. Der Befehl muss innerhalb von 2 Minuten erfolgen, nachdem die Kamera an das Stromnetz angeschlossen wurde.
Admin-Seiten des DHCP-Servers anzeigen	Alle	Hinweise zum Anzeigen der Administrationsseiten des DHCP-Servers im Netzwerk finden Sie in der Serverdokumentation.

### IP-Adresse per ARP/Ping zuweisen

1. Wählen Sie eine IP-Adresse aus dem Netzwerksegment, in dem sich auch Ihr Computer befindet.
2. Sehen Sie nach der Seriennummer (S/N) auf dem Produktaufkleber der AXIS 210/210A/211/211A.
3. Öffnen Sie auf Ihrem Computer die Eingabeaufforderung, und geben Sie die folgenden Befehle ein:

Syntax unter Windows :	Beispiel für Windows
arp -s <IP-Adresse> <Seriennummer> ping -l 408 -t <IP-Adresse>	arp -s 192.168.0.125 00-40-8c-18-10-00 ping -l 408 -t 192.168.0.125
Syntax unter UNIX/Linux/Mac	Beispiel für UNIX/Linux/Mac
arp -s <IP-Adresse> <Seriennummer> temp ping -s 408 <IP-Adresse>	arp -s 192.168.0.125 00:40:8c:18:10:00 temp ping -s 408 192.168.0.125

4. Stellen Sie sicher, dass das Netzkabel mit der Kamera verbunden ist, und starten Sie die Kamera bzw. starten Sie diese neu, indem Sie die Stromversorgung unterbrechen und wiederherstellen.
5. Schließen Sie die Befehlszeile, sobald „Reply from 192.168.0.125: ...“ oder eine ähnliche Meldung erscheint.
6. Starten Sie einen Browser, geben Sie im Adressfeld „http://<IP-Adresse>“ ein, und drücken Sie die Eingabetaste auf der Tastatur.

### Hinweise:

- So öffnen Sie unter Windows die Eingabeaufforderung: Wählen Sie im Startmenü die Option „Ausführen ...“, und geben Sie „cmd“ ein. Klicken Sie auf OK.
- Verwenden Sie zum Eingeben des Befehls „ARP“ unter Mac OS X das Dienstprogramm „Terminal“, das Sie unter „Anwendung > Dienstprogramme“ finden.

# Kameraanschlüsse

**Netzwerkanschluss** - RJ-45-Ethernetanschluss. Die Verwendung von geschirmten Twisted Pair-Kabeln wird empfohlen.

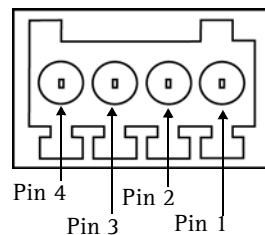
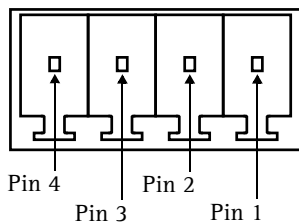
**Stromanschluss** - Mini-Gleichstromanschluss. 7–20 V Gleichstrom, max. 5 W;

**Audio-Eingang** - 3,5 mm-Eingang für Mono-Mikrofon oder Line-In-Monosignal (linker Kanal für Stereo-Signal).

**Audio-Ausgang** - Audio-Ausgang (Line-Pegel), der mit einem PA-System oder einem Aktivlautsprecher mit integriertem Verstärker verbunden werden kann. Auch der Anschluss von Kopfhörern ist möglich. Für den Audio-Ausgang muss ein Stereoanschluss verwendet werden.

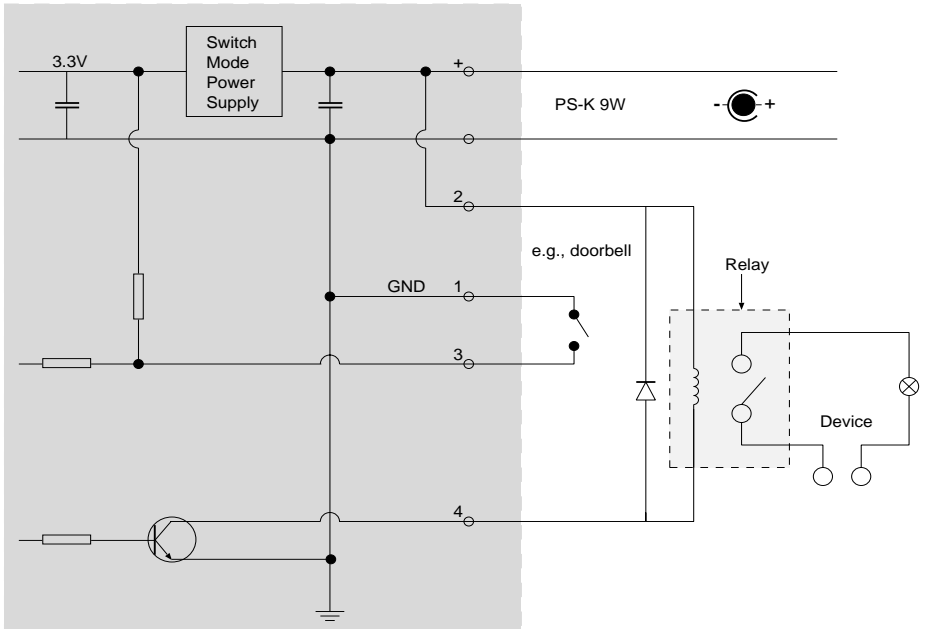
E/A-Anschluss - Wird z. B. verwendet für Bewegungserkennung, Ereignistriggerung, Zeitrafferaufnahmen, Alarm-Benachrichtigungen usw. und bildet die Schnittstelle für:

- 1 Transistorausgang: Für den Anschluss externer Geräte, wie Relais und LEDs. Angeschlossene Geräte können auf der Seite **Live Ansicht** über die Schaltflächen für den Ausgang oder durch einen Ereignistyp aktiviert werden. Der Ausgang wird unter **Ereigniskonfiguration > Port-Status** als „aktiviert“ angezeigt, wenn das angeschlossene Gerät eingeschaltet ist.
- 1 digitaler Eingang: Alarmeingang für den Anschluss von Geräten, die zwischen geöffnetem und geschlossenem Schaltkreis wechseln können, z. B.: PIR-Kameras, Tür/Fensterkontakte, Glasbruchmelder usw. Bei Empfang eines Signals ändert sich der **Status**, und der Eingang wird aktiviert (angezeigt unter **Ereigniskonfiguration > Port-Status**).
- Zusatzstromversorgung und Masse.



Pinnummer	Funktion	Hinweise	Technische Daten
4	Transistorausgang	Verwendet einen NPN-Transistor mit offenem Kollektor, wobei der Emitter mit dem Massepin verbunden ist. Zum Schutz vor Spannungsspitzen muss bei der Kombination mit einem externen Relais eine Diode parallel zur Last geschaltet werden.	max. Stromstärke = 50 mA Max. Spannung = 24 V Gleichstrom (zum Transistor)
3	Digitaler Eingang	Zum Aktivieren mit dem Massekontakt verbinden; zum Deaktivieren nicht anschließen.	Die angelegte Spannung darf maximal 10 V Gleichstrom betragen!
2	7 - 20 V Gleichstrom	Zur Stromversorgung von Zusatzgeräten.	max. Stromstärke = 50 mA
1	Masse		

# Anschlusschaltbild



## LED-Anzeigen

LED	Farbe	Bedeutung
Netzwerk	Grün	Leuchtet dauerhaft bei einer Netzwerkverbindung mit 100 Mbit/s. Blinkt bei Netzwerkaktivität.
	Gelb	Leuchtet dauerhaft bei Netzwerkverbindung mit 10 Mbit/s. Blinkt bei Netzwerkaktivität.
	Leuchtet nicht	Keine Netzwerkverbindung.
Status	Grün	Leuchtet bei Normalbetrieb dauerhaft grün. Hinweis: Die Status-LED kann so konfiguriert werden, dass sie bei normalem Betrieb nicht leuchtet oder nur dann blinkt, wenn auf die Kamera zugegriffen wird. Klicken Sie zur Konfiguration auf Setup > Systemoptionen > LED-Einstellungen. Nähere Informationen dazu finden Sie in der Online-Hilfe.
	Gelb	Leuchtet dauerhaft beim Start und beim Wiederherstellen der Werkseinstellungen bzw. von vorherigen Einstellungen.
	Rot	Blinkt langsam bei Aktualisierungsfehler.
Power	Grün	Normalbetrieb.
	Gelb	Blinkt grün/gelb bei Firmware-Aktualisierung.



## Werkseitige Standardeinstellungen wiederherstellen

Gehen Sie folgendermaßen vor, um sämtliche Parameter einschl. der IP-Adresse auf die werkseitigen Standardeinstellungen zurückzusetzen:

1. Trennen Sie die Kamera von der Stromversorgung.
2. Betätigen Sie die Reset-Taste (Rückseite), halten Sie diese gedrückt, und stellen Sie die Stromversorgung wieder her.
3. Halten Sie die Taste gedrückt, bis die Statusanzeige gelb leuchtet (dies kann bis zu 15 Sekunden dauern), und lassen Sie danach die Taste los.
4. Wenn die Statusanzeige grün leuchtet (dies kann bis zu einer Minute dauern), wurde die Kamera auf die werkseitigen Standardeinstellungen zurückgesetzt.
5. Installieren Sie die AXIS 210/210A/211/211A erneut. Wenden Sie dabei eines der in diesem Handbuch beschriebenen Verfahren an.

## Weitere Informationen

Das Benutzerhandbuch ist auf der Axis Website unter <http://www.axis.com> erhältlich und befindet sich auch auf der mitgelieferten CD für Axis-Netzwerkvideoprodukte.

### **Tipp!**

Unter [www.axis.com/techsup](http://www.axis.com/techsup) finden Sie Firmware-Aktualisierungen für Ihre AXIS 210/210A/211/211A. Gehen Sie unter „Setup“ auf die Seite „Grundkonfiguration,“ um die aktuelle Firmware-Version anzuzeigen.



# AXIS 210/210A/211/211A

## Guida all'installazione

Nel presente documento vengono fornite le istruzioni per installare la AXIS 210/210A/211/211A Videocamera di rete nella propria rete. Per tutti gli altri aspetti sull'utilizzo del prodotto, vedere il manuale dell'utente, disponibile sul CD incluso nella confezione oppure all'indirizzo [www.axis.com/techsup](http://www.axis.com/techsup)

### Procedura di installazione

1. Controllare il contenuto della confezione utilizzando l'elenco fornito di seguito.
2. Panoramica dell'hardware. Vedere pagina 52.
3. Installazione dell'hardware. Vedere pagina 54.
4. Impostare un indirizzo IP. Vedere pagina 55.
5. Impostare la password. Vedere pagina 58.
6. Regolare la messa a fuoco. Vedere pagina 59.
7. Modificare la lingua dell'interfaccia Web della videocamera (opzionale). Vedere pagina 60.

#### Importante

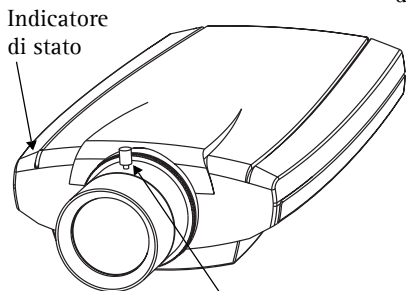
Il prodotto deve essere utilizzato in conformità alle leggi e alle disposizioni locali.

### 1 Contenuto della confezione

Articolo	Modello/varianti/note
Videocamera di rete	<ul style="list-style-type: none"> <li>• AXIS 210</li> <li>• AXIS 210A: alimentazione su rete Ethernet (PoE, Power over Ethernet), audio a due vie e microfono incorporato</li> <li>• AXIS 211: alimentazione su rete Ethernet (PoE, Power over Ethernet), lenti varifocali DC-Iris</li> <li>• AXIS 211A: alimentazione su rete Ethernet (PoE, Power over Ethernet), audio a due vie e microfono incorporato, lenti varifocali DC-Iris</li> </ul>
Alimentatore PS-K per uso interno (specifico per il paese)	Europa Regno Unito Australia USA/Giappone Argentina Corea
Supporto della videocamera	Viti di montaggio in dotazione
Connettore della morsettieria	Morsettieria a 4 pin per il collegamento di periferiche esterne al connettore I/O
CD	CD del prodotto, inclusi gli strumenti di installazione e altro software nonché la documentazione del prodotto.
Documentazione cartacea	Guida all'installazione AXIS 210/210A/211/211A (questo documento) Certificato di garanzia Axis

## 2 Panoramica dell'hardware

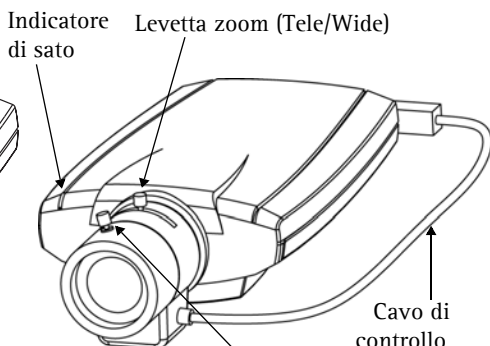
### AXIS 210/AXIS 210A



Indicatore di stato

Levetta messa a fuoco

### AXIS 211/AXIS 211A



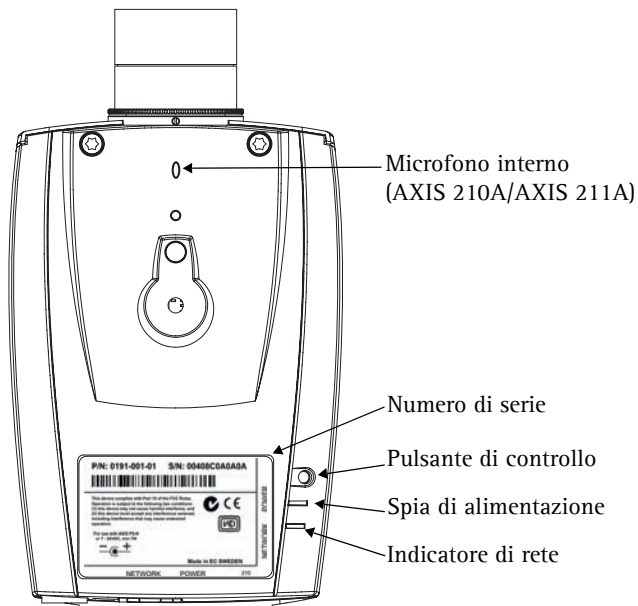
Indicatore di stato

Levetta zoom (Tele/Wide)

Levetta messa a fuoco

Cavo di controllo obiettivo DC Iris

### Etichetta lato inferiore



Microfono interno (AXIS 210A/AXIS 211A)

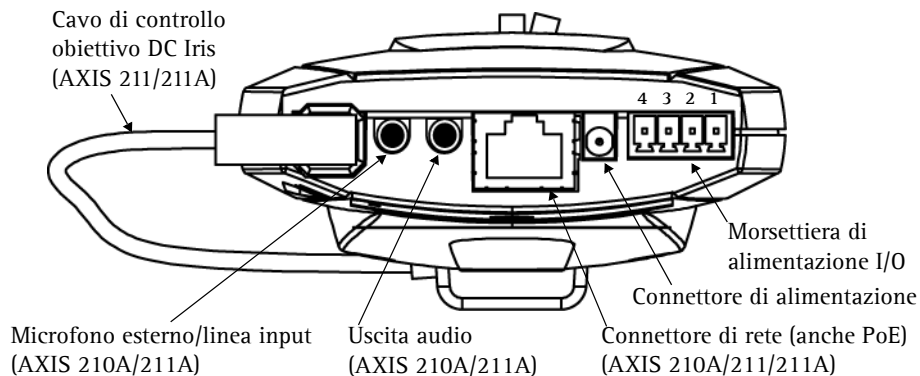
Numero di serie

Pulsante di controllo

Spia di alimentazione

Indicatore di rete

## Pannello posteriore



### Note:

A seconda della versione della tua AXIS 210/210A/211/211A, noterai due diversi tipi di morsettiera I/O. Vedere pagina 63 per la *Morsettiera di alimentazione I/O*.

## Dimensioni

### AXIS 210/210A:

AxLxP = 38 x 88 x 157 mm (1,5" x 3,4" x 6,2")

Peso (AXIS 210) = 305 g (0,67 lb) senza alimentatore

Peso (AXIS 210A) = 325 g (0,72 lb) senza alimentatore

### AXIS 211/211A:

AxLxP = 38 x 95 x 178mm (1,5" x 3,7" x 7")

Peso = 345 g (0,76 lb) senza alimentatore

### 3 Installazione dell'hardware

**!** **IMPORTANTE:** AXIS 210/210A è progettata solo per un uso interno e non va mai esposta alla luce diretta del sole o di una potente lampada alogena, onde evitare danni permanenti al sensore dell'immagine della videocamera. I danni causati dall'esposizione diretta alla luce non sono coperti dalla garanzia di Axis.

**■** **IMPORTANTE:** AXIS 211/211A è progettata per un uso interno ed esterno. Per utilizzare la videocamera all'esterno, è necessario installarla in un alloggiamento per esterni approvato. Per ulteriori informazioni sull'alloggiamento per esterni, vedere il sito Web all'indirizzo [www.axis.com](http://www.axis.com).

#### Collegare la videocamera



1. Collegare la videocamera alla rete mediante un cavo di rete schermato. Si consiglia l'uso di cavi a coppia intrecciata.
2. Connettere altre periferiche esterne (facoltativo) come, ad esempio, sistemi di allarme. Per informazioni sui pin della morsettiera di alimentazione, vedere pagina 62
3. Collegare un altoparlante attivo (facoltativo) per fornire audio a due vie.
4. Collegare l'alimentazione mediante uno dei metodi elencati di seguito:
  - PoE (Power over Ethernet). Se disponibile, questa è automaticamente rilevata quando il cavo di rete è connesso (vedere sopra).
  - Collegare l'alimentatore per uso interno al connettore di alimentazione sulla videocamera.
  - Utilizzare la morsettiera di alimentazione. Per informazioni sui pin della morsettiera di alimentazione, vedere pagina 62
5. Verificare che i LED indichino le condizioni di funzionamento corrette. Per ulteriori dettagli, vedere la tabella a pagina 64. Notare che alcuni LED possono essere disabilitati o spenti.

## 4 Impostazione di un indirizzo IP

Per installare AXIS 210/210A/211/211A in una rete è necessario assegnare alla videocamera un indirizzo IP.

In base al numero di videocamere che si desidera installare, si consiglia di utilizzare sia **AXIS IP Utility** o **AXIS Camera Management** per l'impostazione dell'indirizzo IP in ambiente Windows. Utilizzare il metodo che meglio si adatta alle proprie esigenze.

Entrambe le applicazioni sono disponibili gratuitamente sul CD del prodotto oppure possono essere scaricate dal sito Web all'indirizzo [www.axis.com/techsup](http://www.axis.com/techsup)

Metodo	Consigliato per...	Sistema operativo
 AXIS IP Utility Vedere pagina 56	Videocamera singola Piccole installazioni	Windows
 AXIS Camera Management Vedere pagina 57	Più videocamere Grandi installazioni Installazione su una diversa sottorete	Windows 2000 Windows XP Pro Windows 2003 Server

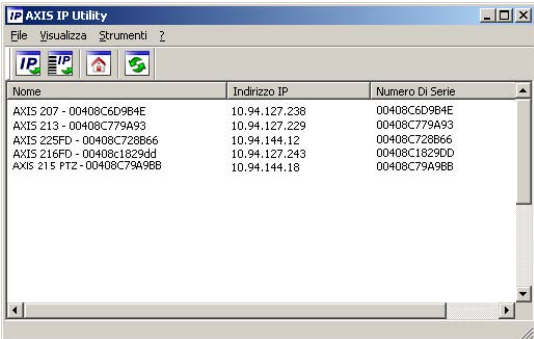
### Note

- L'utilizzo di un server DHCP di rete è facoltativo.
- L'indirizzo IP predefinito per AXIS 210/210A/211/211A è 192.168.0.90
- Se l'impostazione dell'indirizzo IP non è riuscita correttamente, verificare che non siano presenti firewall a bloccare l'operazione.
- Per altri metodi di impostazione o di rilevazione dell'indirizzo IP per AXIS 210/210A/211/211A, ad esempio in altri sistemi operativi, vedere pagina 58.

## AXIS IP Utility: videocamera singola/piccole installazioni

AXIS IP Utility consente di individuare e visualizzare automaticamente la presenza di periferiche Axis sulla rete. L'applicazione inoltre può essere utilizzata per impostare manualmente un indirizzo IP statico.

Si tenga presente che AXIS 210/210A/211/211A deve essere installata sullo stesso segmento di rete (subnet fisica) del computer sul quale è in esecuzione AXIS IP Utility.




The screenshot shows the 'AXIS IP Utility' application window. It has a menu bar with 'File', 'Visualizza', and 'Strumenti'. Below the menu bar are three icons: a blue 'IP' icon, a home icon, and a refresh icon. The main area contains a table with three columns: 'Nome', 'Indirizzo IP', and 'Numero Di Serie'. The table lists five devices with their names, IP addresses, and serial numbers.

Nome	Indirizzo IP	Numero Di Serie
AXIS 207 - 00408C6D9B4E	10.94.127.238	00408C6D9B4E
AXIS 213 - 00408C779A93	10.94.127.229	00408C779A93
AXIS 223FD - 00408C728B66	10.94.144.12	00408C728B66
AXIS 216FD - 00408C1829DD	10.94.127.243	00408C1829DD
AXIS 215 PTZ - 00408C79A9BB	10.94.144.18	00408C79A9BB

### Rilevamento automatico

1. Verificare che AXIS 210/210A/211/211A sia collegata alla rete e alimentata correttamente.
2. Avviare AXIS IP Utility.
3. Quando la videocamera verrà visualizzata, fare doppio clic su di essa per aprirne la home page.
4. Per istruzioni su come impostare la password, vedere pagina 58.

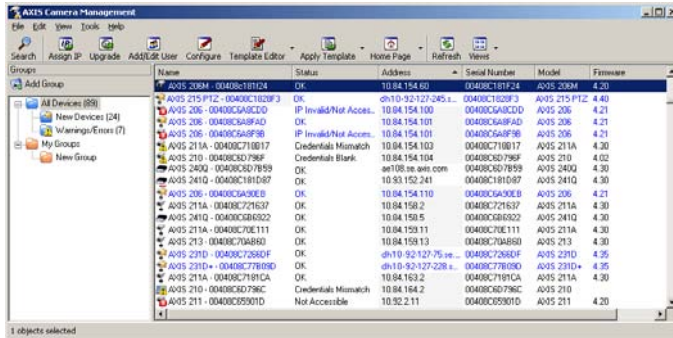
### Impostazione manuale dell'indirizzo IP

1. Acquisire un indirizzo IP non utilizzato sullo stesso segmento di rete cui è connesso il computer in uso.
2. Fare clic sul pulsante  **Assegna un nuovo indirizzo IP tramite il numero di serie e immettere il numero di serie e l'indirizzo IP di AXIS 210/210A/211/211A che si trova sull'etichetta del prodotto stesso.**
3. Fare clic sul pulsante **Assegna** e seguire le istruzioni visualizzate.
4. Fare clic su **Home Page** per accedere alle pagine Web della videocamera.
5. Per istruzioni su come impostare la password, vedere pagina 58.



## AXIS Camera Management: più videocamere/grandi installazioni

AXIS Camera Management è in grado di individuare e impostare automaticamente gli indirizzi IP, mostrare lo stato di connessione e gestire gli aggiornamenti del firmware di più prodotti video Axis.



### Rilevamento automatico

1. Verificare che la videocamera sia collegata alla rete e alimentata correttamente.
2. Avviare AXIS Camera Management. Quando verrà visualizzata la videocamera AXIS 210/210A/211/211A, fare doppio clic su di essa per aprire la home page.
3. Per istruzioni su come impostare la password, vedere pagina 58.

### Impostazione dell'indirizzo IP di più videocamere

AXIS Camera Management facilita il processo di assegnazione degli indirizzi IP di più videocamere, suggerendo gli indirizzi IP in base a un intervallo specifico.

1. Selezionare le videocamere che si desidera configurare (possono essere selezionati differenti modelli) e fare clic sul pulsante **Assign IP** (Assegna IP).
2. Selezionare **Obtain IP addresses automatically (DHCP)**, (Ottieni indirizzo IP automaticamente - DHCP), fare clic sul pulsante **Update** (Aggiorna) e il programma ricercherà l'intervallo specifico, quindi suggerirà un indirizzo IP per ciascuna videocamera.

- oppure -

Immettere l'intervallo di indirizzi IP, la subnet mask e il router predefinito per le videocamere e fare clic sul pulsante **Update** (Aggiorna).

## 5 Impostazione della password

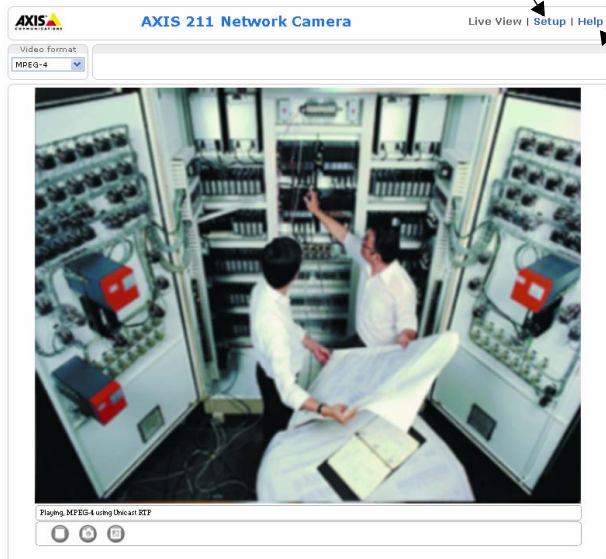
Quando si accede a AXIS 210/210A/211/211A per la prima volta, viene visualizzata la finestra di dialogo "Configura password di primo livello."



1. Immettere la password, quindi inserirla di nuovo per confermarne l'esattezza. Fare clic su OK.
2. Immettere il nome utente di primo livello nella finestra di dialogo  
Nota: non è possibile eliminare il nome utente predefinito dell'amministratore.
3. Inserire la password impostata in precedenza e fare clic su OK. Se si dimentica la password, sarà necessario ripristinare le impostazioni di fabbrica di AXIS 210/210A/211/211A. Vedere pagina 65.
4. Se necessario, fare clic su Sì per installare AMC (Axis Media Control) che consente di visualizzare il flusso video in Microsoft Internet Explorer. A questo scopo è necessario disporre dei privilegi di amministratore.

Viene visualizzata la pagina Live View di AXIS 210/210A/211/211A con i collegamenti agli strumenti di configurazione che consentono di personalizzare la videocamera.

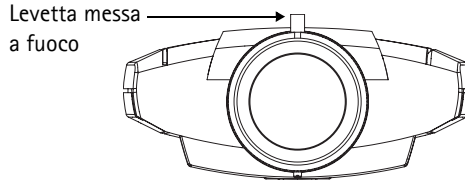
**Configurazione:** fornisce tutti gli strumenti necessari per configurare la videocamera.



**Guida:** visualizza la Guida in linea relativa alla modalità di utilizzo della videocamera.

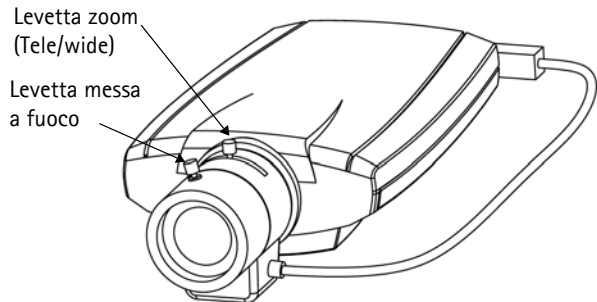
## 6 Regolazione della messa a fuoco

Per eseguire la messa a fuoco di AXIS 210/210A, svitare la levetta della messa a fuoco sull'obiettivo. Regolare la messa a fuoco. Riavvitare la levetta della messa a fuoco.



Per eseguire la messa a fuoco di AXIS 211/211A, seguire le istruzioni seguenti.

1. Nella pagina **Configurazione base** degli strumenti di configurazione, aprire la pagina **Regolazione messa a fuoco**



2. Impostare DC-Iris su **Disabilitato** e fare clic su **Salva**.
3. Svitare la levetta dello zoom sull'obiettivo girandola in senso antiorario. Regolare l'impostazione dello zoom. Riavvitare la levetta dello zoom.
4. Svitare la levetta della messa a fuoco sull'obiettivo. Regolare la messa a fuoco. Riavvitare la levetta della messa a fuoco.
5. Nella pagina **Regolazione messa a fuoco**, impostare DC-Iris su **Abilitato** e fare clic su **Salva**.

**Nota:** DC-Iris deve sempre essere disabilitato quando si regola la messa a fuoco della videocamera. In questo modo l'obiettivo viene aperto al massimo dando la minima profondità di campo e offrendo le condizioni migliori per una corretta messa a fuoco. La messa a fuoco impostata con questo metodo verrà mantenuta in qualsiasi condizione di luce.

## Accesso all'AXIS 210/210A/211/211A da Internet

Una volta installata, l'AXIS 210/210A/211/211A è accessibile dalla LAN. Per accedere alla videocamera da Internet, è necessario configurare i router di rete per consentire il traffico dei dati in entrata, operazione che solitamente viene effettuata su una porta specifica. Per ulteriori istruzioni sul router, fare riferimento alla documentazione.

Per ulteriori informazioni relative a questo e altri argomenti, visitare l'Axis Support Web all'indirizzo [www.axis.com/techsup](http://www.axis.com/techsup)

## 7 Lingua dell'interfaccia

Al termine dell'installazione della videocamera di rete, è possibile scaricare e installare un modulo per la lingua per modificare la lingua dell'interfaccia Web della videocamera:

1. Andare su **Impostazioni** > **Lingua**.
2. Scaricare la lingua desiderata dal sito Web all'indirizzo [www.axis.com/techsup/](http://www.axis.com/techsup/) e salvare temporaneamente il file corrispondente sul computer.
3. Fare clic sul pulsante **Sfoglia** e individuare il file della lingua.
4. Fare clic su **Carica lingua**. La lingua scelta verrà visualizzata in **Seleziona lingua**.
5. Selezionare la lingua da utilizzare con la videocamera Axis, quindi fare clic su **Salva**.

The screenshot displays the web interface for an AXIS 211A Network Camera. The top navigation bar includes the AXIS logo, the camera model name "AXIS 211A Network Camera", and links for "Live View", "Setup", and "Help". A left sidebar contains a menu with categories like "Basic Configuration", "Video & Image", "Audio", "Live View Config", "Event Configuration", and "System Options", with "Language" selected. The main content area is titled "Languages" and features a "Get Language" section with a link to [www.axis.com/techsup/](http://www.axis.com/techsup/). Below this is an "Upload Language" section with a text input field, a "Browse..." button, and an "Upload Language" button. The "Select Language" section shows "English" as the selected option, indicated by a radio button and a flag icon. A "Save" button is located at the bottom of the page.

## Altri metodi di impostazione dell'indirizzo IP

Nella tabella sotto riportata sono illustrati altri metodi disponibili per impostare o individuare l'indirizzo IP. Tutti i metodi sono disponibili per impostazione predefinita e possono essere tutti disabilitati.

	Sistema operativo	Note
UPnP™	Windows	Se abilitato sul computer, la videocamera viene rilevata automaticamente e aggiunta a "Risorse di rete".
Bonjour	MAC OSX (versione 10.4 o successive)	Si applica a browser con supporto Bonjour. Selezionare il segnalibro Bonjour nel browser (ad esempio Safari) e fare clic sul collegamento per accedere alle pagine Web della videocamera.
AXIS Dynamic DNS Service	Tutti	Un servizio gratuito fornito da Axis che consente di installare la videocamera in modo facile e veloce. È necessaria una connessione a Internet senza proxy http. Per ulteriori informazioni, visitare il sito Web all'indirizzo <a href="http://www.axiscam.net">www.axiscam.net</a> .
ARP/Ping	Tutti	vedere più avanti. È necessario eseguire il comando entro 2 minuti dal collegamento dell'alimentazione alla videocamera.
Visualizzazione delle pagine di amministrazione del server DHCP	Tutti	Per visualizzare le pagine di amministrazione del server DHCP di rete, vedere la documentazione specifica del server.

### Impostazione dell'indirizzo IP con ARP/Ping

1. Acquisire un indirizzo IP sullo stesso segmento di rete cui è connesso il computer in uso.
2. Individuare il numero di serie indicato sull'etichetta di AXIS 210/210A/211/211A.
3. Aprire una finestra MS-DOS sul computer e digitare i seguenti comandi:

Sintassi di Windows:	Esempio di Windows
arp -s <Indirizzo IP> <Numero di serie> ping -l 408 -t <Indirizzo IP>	arp -s 192.168.0.125 00-40-8c-18-10-00 ping -l 408 -t 192.168.0.125
Sintassi di UNIX/Linux/Mac:	Esempio di UNIX/Linux/Mac
arp -s <Indirizzo IP> <Numero di serie> temp ping -s 408 <Indirizzo IP>	arp -s 192.168.0.125 00:40:8c:18:10:00 temp ping -s 408 192.168.0.125

4. Verificare che il cavo di rete sia connesso alla videocamera e quindi avviare/riavviare la videocamera, scollegando e ricollegando l'alimentazione.
5. Chiudere la finestra MS-DOS una volta visualizzato il messaggio "Risposta da 192.168.0.125: ..." oppure un messaggio simile.
6. Nel browser immettere `http://<indirizzo IP>` nel campo dell'indirizzo e premere Invio sulla tastiera.

### Note

- Per aprire una finestra MS-DOS in Windows: dal menu Start, scegliere Esegui... e digitare cmd. Fare clic su OK.
- Per utilizzare il comando ARP su un sistema operativo Mac OS X, servirsi dell'utilità Terminal, in Applicazioni > Utilità.

## Connettori

**Connettore di rete** - Ethernet RJ-45: Si consiglia l'uso di cavi a coppia intrecciata.

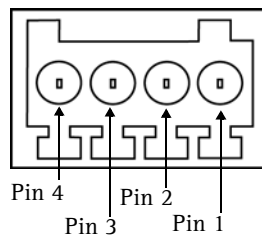
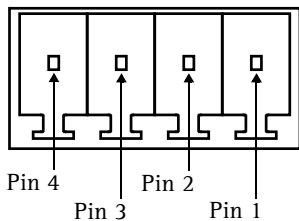
**Connettore di alimentazione** - a basso voltaggio. 7-20 V CC, massimo 5 W.

**Ingresso audio** - 3,5 mm di ingresso per un solo microfono o per un solo segnale line-in (canale di sinistra utilizzato per un segnale stereo).

**Uscita audio** - audio in uscita (livello segnale di linea) che può essere connesso ad un indirizzo pubblico oppure un altoparlante attivo con amplificatore integrato. È possibile collegare un paio di cuffie. È necessario utilizzare un connettore stereo per l'uscita audio.

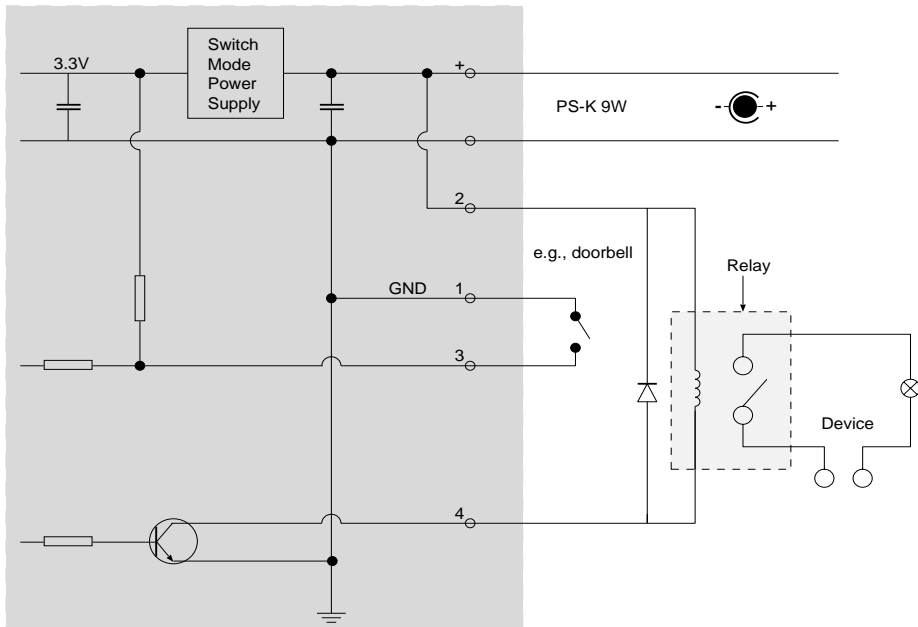
**Morsetteria di alimentazione I/O** - Utilizzata per varie applicazioni come, ad esempio, la rilevazione del movimento, l'attivazione di eventi, la registrazione continua, la notifica di allarmi e così via. Fornisce l'interfaccia per:

- 1 uscita transistor: consente di connettere dispositivi esterni, quali relé e LED. Le periferiche connesse possono essere attivate mediante i pulsanti di controllo delle uscite nella pagina **Immagini dal vivo** o un tipo di evento. L'uscita verrà visualizzata come attiva (visualizzata in **Configurazione evento > Stato porta**) se il dispositivo di allarme è attivato.
- 1 ingresso digitale: specifico per allarmi, consente di connettere periferiche che possono aprire o chiudere un circuito, ad esempio: sensori di movimento (PIR), contatti porta/finestra, rilevatori di rottura vetri e così via. Quando viene ricevuto il segnale lo stato cambia e l'ingresso diventa attivo (visualizzato in **Configurazione evento > Stato porta**).
- Alimentazione ausiliaria e presa di terra.



Numero pin	Funzione	Note	Specifiche
4	Uscita transistor	Un transistor di tipo NPN open-collector con connessione dell'emettitore collegato al polo di terra. Se si utilizza un relé esterno, è necessario collegare un diodo in parallelo al carico per proteggere il dispositivo da sovratensioni transitorie.	Carico massimo = 50 mA Tensione massima = 24 V CC (al transistor)
3	Ingresso digitale	Collegarsi alla messa a terra (GND) per attivare la videocamera oppure lasciarla isolata (o scollegata) per disattivarla.	Non collegare una tensione superiore a 10 V CC
2	Alimentazione 7 - 20 V CC	Può essere utilizzato per alimentare eventuale apparecchiatura supplementare.	Carico massimo = 50 mA
1	GND		

## Schema delle connessioni



## Indicatori LED

LED	Colore	Indicazione
Rete	Verde	Luce fissa: connessione di rete a 100 Mbit/s. Luce lampeggiante: attività di rete.
	Giallo	Luce fissa: connessione di rete a 10 Mbit/s. Luce lampeggiante: attività di rete.
	Spento	Assenza di connessione di rete.
Stato	Verde	Luce verde fissa: condizioni di normale utilizzo. Nota: è possibile configurare il LED di stato in modo che rimanga spento in condizioni di normale utilizzo oppure in modo da ottenere una luce intermittente quando si effettua l'accesso alla videocamera. Per configurarlo, selezionare Configurazione > Opzioni di sistema > Impostazioni LED. Per ulteriori informazioni, consultare la Guida in linea.
	Giallo	Luce fissa: durante l'avvio o il ripristino delle impostazioni predefinite di fabbrica o della configurazione.
	Rosso	Luce lampeggiante lenta: aggiornamento non riuscito.
Alimentazione	Verde	Normale utilizzo.
	Giallo	Luce lampeggiante verde/gialla: aggiornamento firmware.



## Ripristino delle impostazioni di fabbrica

Questa procedura consentirà di ripristinare le impostazioni di fabbrica per tutti i parametri, incluso l'indirizzo IP.

1. Scollegare l'alimentazione dalla videocamera.
2. Tenere premuto il pulsante Reset sul pannello posteriore e ricollegare l'alimentazione.
3. Tenere premuto il pulsante finché l'indicatore di stato diventa giallo (possono essere necessari fino a 15 secondi), quindi rilasciare il pulsante.
4. Quando l'indicatore di stato diventa verde (può essere necessario fino a 1 minuto) vengono ripristinate le impostazioni di fabbrica della videocamera.
5. Reinstallare l'AXIS 210/210A/211/211A utilizzando uno dei metodi descritti nel documento.

## Ulteriori informazioni

Il Manuale per l'utente è disponibile sul sito Web di Axis all'indirizzo [www.axis.com](http://www.axis.com) oppure sul CD fornito con il prodotto.

### **Suggerimento**

Visitare il sito di Axis all'indirizzo [www.axis.com/techsup](http://www.axis.com/techsup) per verificare se sono stati pubblicati aggiornamenti del firmware per la videocamera AXIS 210/210A/211/211A. Per conoscere la versione installata del firmware, vedere la pagina Configurazione base negli strumenti di configurazione.



# AXIS 210/210A/211/211A

## Guía de instalación

Esta guía de instalación incluye las instrucciones necesarias para instalar la Cámara de red AXIS 210/210A/211/211A en su red. Para obtener información sobre cualquier cuestión relacionada con el uso del producto, consulte el Manual del usuario, disponible en el CD que se incluye en este paquete o en la página [www.axis.com/techsup](http://www.axis.com/techsup).

### Pasos de instalación

1. Verifique el contenido del paquete con la lista siguiente.
2. Presentación del hardware. Consulte la página 68.
3. Instale el hardware. Consulte la página 70.
4. Configure una dirección IP. Consulte la página 71.
5. Configuración de la contraseña. Consulte la página 74.
6. Ajuste el enfoque. Consulte la página 75.
7. Cambie el idioma de la interfaz Web de la cámara (opcional). Consulte la página 76.

**¡Importante!**

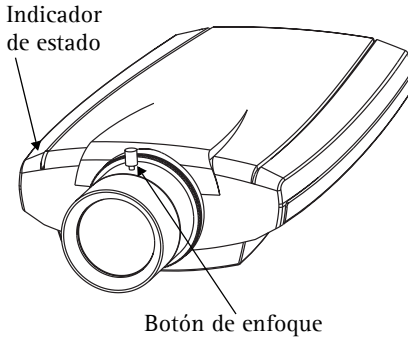
Este producto debe utilizarse de acuerdo con la legislación y la normativa locales.

### 1 Contenido del paquete

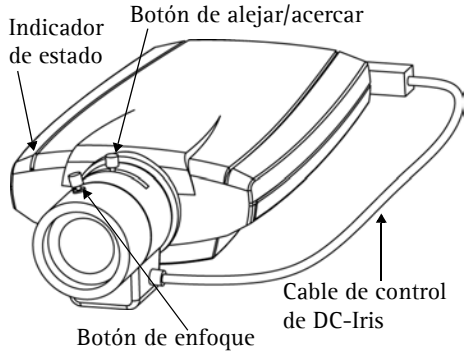
Artículo	Modelos/variantes/notas
Cámara de red	<ul style="list-style-type: none"> <li>• AXIS 210</li> <li>• AXIS 210A: PoE, audio bidireccional y micrófono incorporado</li> <li>• AXIS 211: PoE, lente DC-iris varifocal</li> <li>• AXIS 211A: PoE, audio bidireccional y micrófono incorporado, lente DC-Iris varifocal</li> </ul>
Fuente de alimentación interior PS-K (especifica del país)	Europa Reino Unido Australia EE.UU./Japón Argentina Corea
Soporte de cámara	Suministrado con tornillos de montaje
Conector del bloque de terminales	Un bloque de conectores de 4 pines para conectar dispositivos externos al conector de terminal de E/S
CD	CD sobre el producto de vídeo de red de Axis, que incluye herramientas de instalación, otro software y documentación acerca del producto
Material impreso	Guía de instalación de AXIS 210/210A/211/211A (este documento) Documento de garantía de Axis

## 2 Presentación del hardware

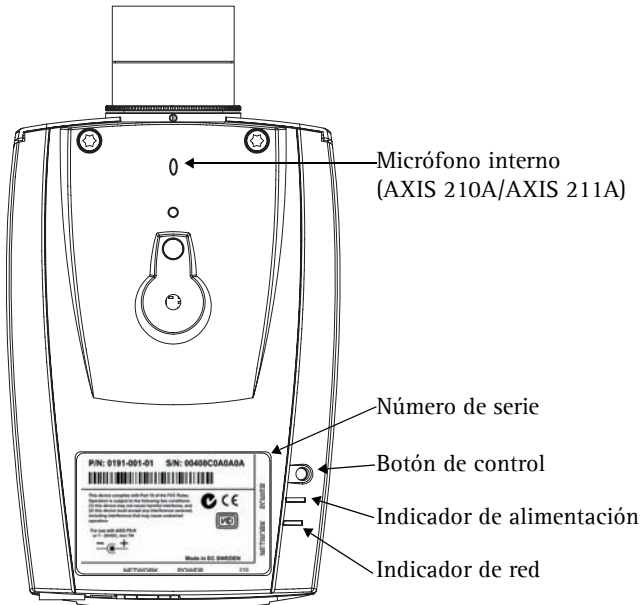
AXIS 210/AXIS 210A

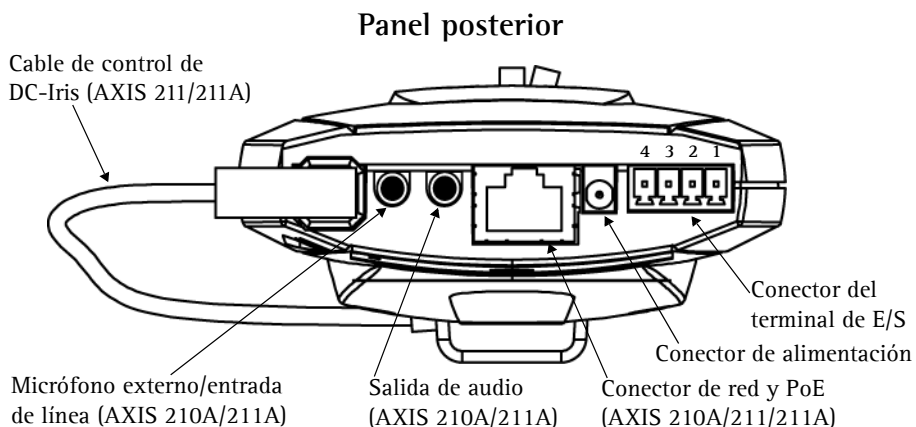


AXIS 211/AXIS 211A



### Parte inferior





**Note:**

Dependiendo de la versión de su producto AXIS 210/210A/211/211A, usted debería ver uno de los dos tipos diferentes de conectores de alimentación. Observe *Conector del terminal de E/S* de la página 79.

**Dimensiones**

**AXIS 210/210A:**

Alt. x Anch. x Prof. = 38 x 88 x 157 mm (1,5" x 3,4" x 6,2")

Peso (AXIS 210) = 305 g (0,67 lb), fuente de alimentación no incluida

Peso (AXIS 210A) = 325 g (0,72 lb), fuente de alimentación no incluida

**AXIS 211/211A:**

Alt. x Anch. x Prof. = 38 x 95 x 178 mm (1,5" x 3,7" x 7")

Peso = 345 g (0,76 lb), fuente de alimentación no incluida

### 3 Instalación del hardware

**!** **IMPORTANTE:** La AXIS 210/210A está destinada al uso en interiores exclusivamente y siempre debe ubicarse en un lugar donde no quede expuesta a la luz solar directa ni a una luz halógena fuerte, ya que, de ser así, podrían provocarse daños permanentes en el sensor de imágenes de la cámara. Los daños resultantes de la exposición a una luz fuerte no están cubiertos por la garantía de Axis.

**!** **IMPORTANTE:** La AXIS 211/211A está destinada al uso en interiores y exteriores. Para utilizar la cámara en exteriores, debe instalarse en una caja protectora para exterior aprobada. Para obtener más información sobre cajas para exterior, consulte la página [www.axis.com](http://www.axis.com).

### Conexión de la cámara



1. Conecte la cámara a la red con un cable de red blindado. Se recomienda utilizar cables de par trenzado blindado (STP).
2. También puede conectar dispositivos externos, como dispositivos de alarma. Para obtener más información sobre los pines de conectores de terminales, consulte la página 78.
3. También se puede conectar un altavoz activo para obtener audio bidireccional.
4. Conecte la alimentación utilizando uno de los métodos especificados en la lista que aparece a continuación:
  - PoE (Power over Ethernet). Si está disponible, se detectará automáticamente al conectar el cable de red. Vea arriba.
  - Conecte la fuente de alimentación para interiores suministrada al conector de alimentación de la cámara.
  - Conecte la alimentación mediante el conector de terminal. Para obtener más información sobre los pines de conectores de terminales, consulte la página 78.
5. Compruebe que los indicadores LED anuncian las condiciones adecuadas. Para obtener información más detallada, consulte la tabla de la página 80. Tenga en cuenta que algunos LED pueden deshabilitarse y apagarse.

## 4 Configuración de una dirección IP

Debe asignarse una dirección IP a la AXIS 210/210A/211/211A para que sea accesible desde la red.

Dependiendo del número de cámaras que desee instalar, el método recomendado de configuración de direcciones IP en Windows será **AXIS IP Utility** o bien **AXIS Camera Management**. Utilice el método que se adapte mejor a sus necesidades.

Ambas aplicaciones son gratuitas y están disponibles en el CD del producto de vídeo en red de Axis suministrado con este producto o pueden descargarse de [www.axis.com/techsup](http://www.axis.com/techsup).

Método	Recomendado para	Sistema operativo
 AXIS IP Utility Consulte la página 72	Cámara individual Instalaciones pequeñas	Windows
 AXIS Camera Management Consulte la página 73	Varias cámaras Instalaciones grandes Instalaciones en otra subred	Windows 2000 Windows XP Pro Windows 2003 Server

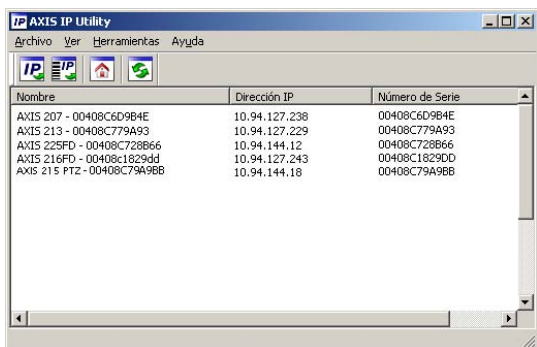
### Notas:

- Se puede emplear de modo opcional un servidor DHCP de red.
- La AXIS 210/210A/211/211A tiene la siguiente dirección IP predeterminada: 192.168.0.90.
- Si no puede configurar la dirección IP, compruebe que no haya ningún firewall que bloquee la operación.
- Consulte la página 74 para conocer otros métodos de configuración o detectar la dirección IP de la AXIS 210/210A/211/211A, por ejemplo, en otros sistemas operativos.

## AXIS IP Utility: Para cámaras individuales o instalaciones pequeñas

AXIS IP Utility descubre y muestra automáticamente los dispositivos Axis existentes en la red. Además, puede utilizarse para asignar manualmente una dirección IP estática.


Recuerde que el equipo que ejecute AXIS IP Utility debe instalarse en el mismo segmento de red (subred física) que la AXIS 210/210A/211/211A.



### Detección automática

1. Compruebe que la AXIS 210/210A/211/211A está conectada a la red y que recibe alimentación.
2. Inicie AXIS IP Utility.
3. Cuando la cámara aparezca en la ventana, haga doble clic en ella para abrir la página de inicio.
4. Consulte la página 74 para obtener instrucciones sobre cómo configurar la contraseña.

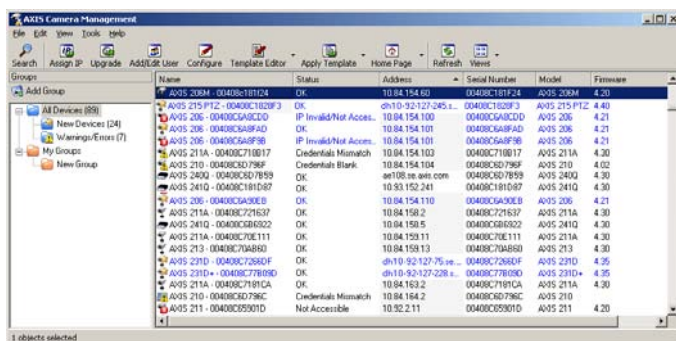
### Configuración manual de la dirección IP

1. Adquiera una dirección IP que no esté en uso en el mismo segmento de red en el que está conectado su equipo.
2. Haga clic en el botón  Asigna nueva dirección IP usando el número de serie e introduzca el número de serie y la dirección IP de la AXIS 210/210A/211/211A. El número de serie aparece en la etiqueta del producto.
3. Haga clic en el botón **Asignar** y siga las instrucciones.
4. Haga clic en **Página de inicio** para acceder a las páginas Web de la cámara.
5. Consulte la página 74 para obtener instrucciones sobre cómo configurar la contraseña.



## AXIS Camera Management: Para varias cámaras e instalaciones grandes

AXIS Camera Management puede encontrar y configurar automáticamente direcciones IP, mostrar el estado de la conexión y administrar las actualizaciones del firmware de varios productos de video de Axis.



### Detección automática

1. Compruebe que la cámara está conectada a la red y que recibe alimentación.
2. Inicie AXIS Camera Management. Cuando aparezca la AXIS 210/210A/211/211A en la ventana, haga doble clic para abrir la página de inicio.
3. Consulte la página 74 para obtener instrucciones sobre cómo configurar la contraseña.

### Configuración de la dirección IP en varios dispositivos

AXIS Camera Management acelera el proceso de asignación de direcciones IP en varios dispositivos indicando direcciones IP disponibles dentro de un intervalo especificado.

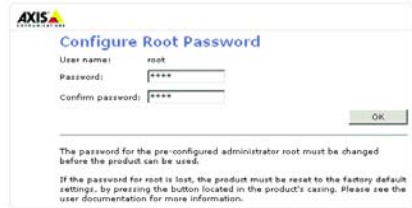
1. Seleccione los dispositivos que desee configurar (es posible seleccionar varios modelos) y haga clic en el botón **Assign IP** (Asignar IP).
2. Seleccione **Obtain IP addresses automatically** (Obtener direcciones IP automáticamente) (DHCP), haga clic en el botón **Actualización** y el programa iniciará la búsqueda en el intervalo especificado y sugerirá una dirección IP para cada dispositivo.

- 0 -

Introduzca el intervalo de direcciones IP, la máscara de subred y el enrutador predeterminado que pueden utilizar los dispositivos, y haga clic en el botón **Actualización**.

## 5 Configuración de la contraseña

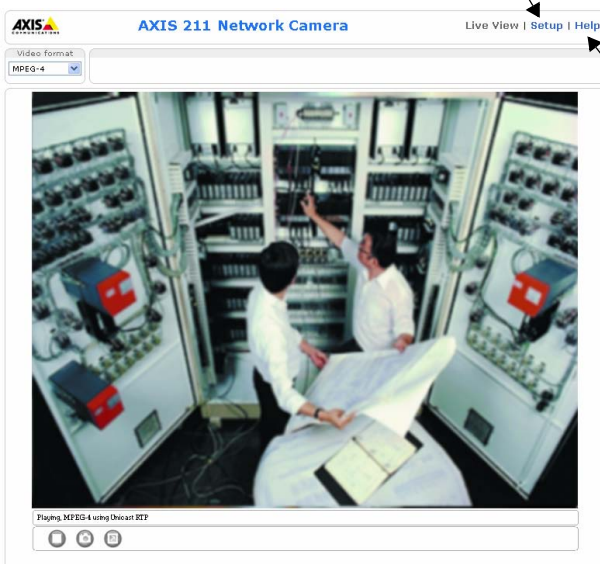
Al acceder a la AXIS 210/210A/211/211A por primera vez, aparecerá el cuadro de diálogo “Configurar contraseña de root”.



1. A continuación, escriba una contraseña y vuelva a escribirla para confirmarla. Haga clic en Aceptar.
2. Escriba el nombre de usuario root en el cuadro de diálogo (Escribir contraseña de red).  
Nota: El nombre de usuario predeterminado para el administrador root no se puede borrar.
3. Escriba la contraseña que introdujo anteriormente y haga clic en “Aceptar”. Si extravió u olvidó la contraseña, debe restablecer la AXIS 210/210A/211/211A a los valores iniciales. Consulte la página 81.
4. En caso necesario, haga clic en Sí para instalar el AMC (AXIS Media Control) y así permitir la visualización del vídeo continuo en Internet Explorer. Para ello, debe tener derechos de administrador en su ordenador.

La página Live View de la AXIS 210/210A/211/211A aparece con enlaces a las herramientas de configuración que le permiten personalizar la cámara.

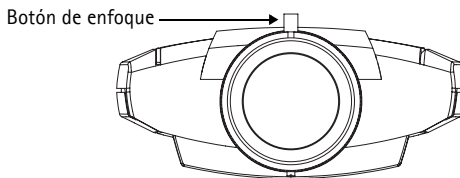
Configuración: proporciona todas las herramientas necesarias para configurar la cámara según sus necesidades.



Ayuda: presenta ayuda en línea sobre todos los aspectos del uso de la cámara.

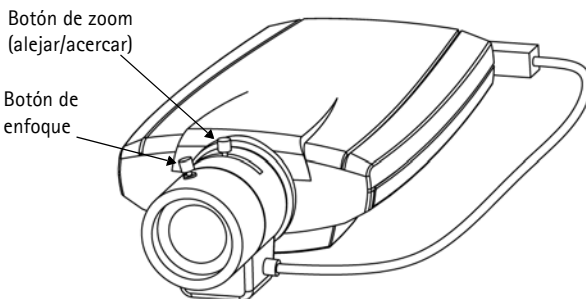
## 6 Ajuste del enfoque

Para enfocar la AXIS 210/210A, desatornille el botón de enfoque de las lentes. Ajuste el enfoque según sea necesario. Vuelva a fijar el botón de enfoque.



Para enfocar la AXIS 211/211A, siga las instrucciones siguientes:

1. Abra la página **Ajuste de enfoque** desde la página **Configuración básica** de las herramientas de configuración.
2. Configure DC-Iris en *Deshabilitado* y haga clic en **Guardar**.
3. Desatornille el botón del zoom de las lentes girándolo en sentido contrario a las agujas del reloj. Ajuste la configuración de zoom según sea necesario. Vuelva a fijar el botón del zoom.
4. Desatornille el botón de enfoque de las lentes. Ajuste el enfoque según sea necesario. Vuelva a fijar el botón de enfoque.
5. Desde la página de ajuste del enfoque, configure DC-Iris en *Deshabilitado* y haga clic en **Guardar**.



**Nota:** Mientras se enfoca la cámara, DC-Iris tiene que estar siempre deshabilitado. Así, se abre el iris al máximo, proporcionando la menor profundidad de campo posible y, por tanto, las mejores condiciones para un enfoque correcto. Si se configura el enfoque con este método, se mantendrá en cualquier condición de iluminación.

## Acceso a la AXIS 210/210A/211/211A desde Internet

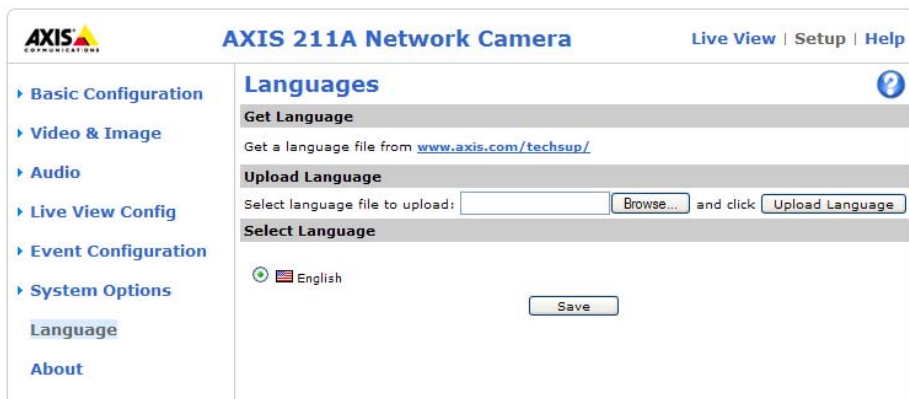
Una vez instalada, puede accederse a la AXIS 210/210A/211/211A desde su red local (LAN). Para acceder a la cámara desde Internet, los encaminadores (Routers) de red deben estar configurados para permitir el tráfico de datos de entrada, que normalmente se efectúa en un puerto específico. Para obtener más instrucciones, consulte la documentación de su encaminador.

Para obtener más información sobre este u otros temas, visite Axis Support Web en [www.axis.com/techsup](http://www.axis.com/techsup)

## 7 Idioma de la interfaz

Después de instalar la cámara de red, puede descargar e instalar un módulo de idioma para cambiar la lengua de la interfaz Web de la cámara de inglés a otro idioma:

1. Vaya a **Configuración > Idioma**.
2. Descargue la lengua deseada de [www.axis.com/techsup/](http://www.axis.com/techsup/) y guárdela temporalmente en su ordenador.
3. Haga clic en el botón **Navegar** y localice el archivo del idioma.
4. Haga clic en **Cargar idioma**. La lengua cargada aparecerá en **Seleccionar idioma**.
5. Seleccione el idioma que desea utilizar con la cámara Axis y haga clic en **Guardar**.



The screenshot displays the web interface for an AXIS 211A Network Camera. The top navigation bar includes the AXIS logo, the camera model name "AXIS 211A Network Camera", and links for "Live View", "Setup", and "Help". A left sidebar menu lists various configuration categories: "Basic Configuration", "Video & Image", "Audio", "Live View Config", "Event Configuration", "System Options", "Language" (which is highlighted), and "About". The main content area is titled "Languages" and features a help icon. It is divided into three sections: "Get Language" with a link to "www.axis.com/techsup/"; "Upload Language" with a text input field, a "Browse..." button, and an "Upload Language" button; and "Select Language" which shows "English" with a flag icon and a "Save" button.

## Otros métodos para configurar la dirección IP

Esta tabla presenta otros métodos disponibles para configurar o detectar la dirección IP. Todos los métodos están habilitados de forma predeterminada y es posible deshabilitarlos.

	Sistema operativo	Notas
UPnP™	Windows	La cámara se detecta y añade a "Mis sitios de red" automáticamente, siempre que esta opción esté habilitada en el equipo.
Bonjour	MAC OSX (10.4 o posterior)	Aplicable a navegadores compatibles con Bonjour. Navegue hasta el favorito Bonjour™ del explorador (p. ej., Safari) y haga clic en el vínculo para acceder a las páginas Web de la cámara.
Servicio de DNS dinámico de AXIS	Todos	Servicio gratuito suministrado por Axis que permite instalar la cámara de forma rápida y sencilla. Es necesario disponer de conexión a Internet sin proxy HTTP. Para más información, consulte <a href="http://www.axiscam.net">www.axiscam.net</a> .
ARP/Ping	Todos	Véase más adelante. El comando debe emitirse en los dos minutos posteriores al encendido de la cámara.
Acceso a las páginas admin. del servidor DHCP	Todos	Para acceder a las páginas admin. del servidor DHCP en red, consulte la documentación del servidor.

## Configuración de la dirección IP con ARP/Ping

1. Adquiera una dirección IP en el mismo segmento de red en el que está conectado su equipo.
2. Localice el número de serie (N/S) en la etiqueta de la AXIS 210/210A/211/211A.
3. Abra una línea de comando en su equipo y escriba los comandos siguientes:

Sintaxis en Windows:	Ejemplo en Windows
arp -s <Dirección IP> <Número de serie> ping -l 408 -t <Dirección IP>	arp -s 192.168.0.125 00-40-8c-18-10-00 ping -l 408 -t 192.168.0.125
Sintaxis en UNIX/Linux/Mac	Ejemplo en UNIX/Linux/Mac
arp -s <Dirección IP> <Número de serie> temp ping -s 408 <Dirección IP>	arp -s 192.168.0.125 00:40:8c:18:10:00 temp ping -s 408 192.168.0.125

4. Compruebe que el cable de red está conectado a la cámara y desconecte y vuelva a conectar la corriente para iniciarla o reiniciarla.
5. Cierre la línea de comando cuando vea "Reply from 192.168.0.125:" (Respuesta de 192.168.0.125;) o similar.
6. En el explorador, escriba <http://<dirección IP>> en el campo Ubicación/Dirección y pulse Intro en el teclado.

### Notas:

- Para abrir una línea de comando en Windows: desde el menú Inicio, seleccione Ejecutar... y escriba cmd. Haga clic en Aceptar.
- Para utilizar el comando ARP en un sistema operativo Mac OS X, utilice la herramienta Terminal, que se encuentra en Aplicaciones > Utilidades.

## Conectores

**Conector de red** - Conector Ethernet RJ-45. Se recomienda utilizar cables de par trenzado blindado (STP).

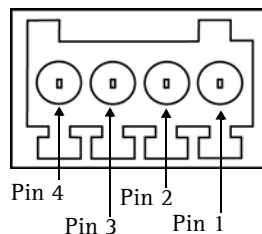
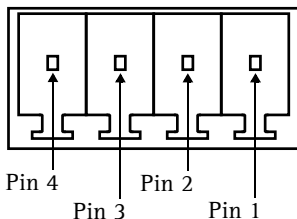
**Conector de alimentación** - Conector mini de CC 7-20 V CC, máx. 5 W.

**Entrada de audio** - Entrada de 3,5 mm para micrófono mono o a una señal mono de línea (canal izquierdo utilizado desde una señal estéreo).

**Salida de audio** - Salida de audio (nivel de línea) que puede conectarse a un sistema de dirección pública o un altavoz activo con amplificador incorporado. También pueden añadirse unos auriculares. Para la salida de audio, debe utilizarse un conector estéreo.

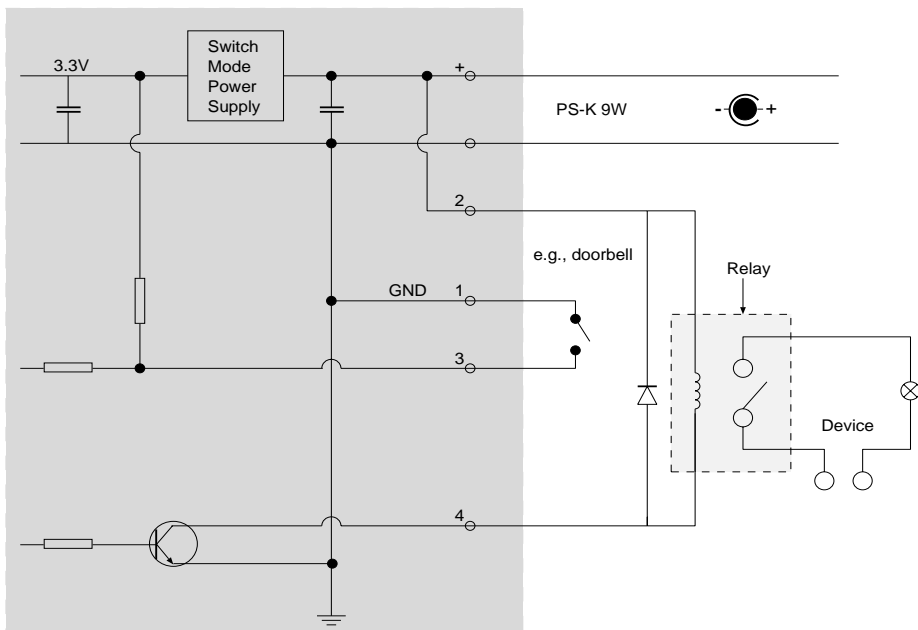
**Conector del terminal de E/S** - Utilizado, por ejemplo, en aplicaciones de detección de movimiento, desencadenamiento de eventos, grabación de lapsos de tiempo, notificaciones de alarma, etc. Proporciona a la interfaz la conexión de:

- 1 salida de transistor: Para conectar dispositivos externos, como relés y LED. Se pueden activar dispositivos conectados mediante los botones de salida de la página **En vivo** o mediante un tipo de evento. La salida se mostrará activa (indicado en **Configuración de eventos > Estado del puerto**) si el dispositivo de alarma está activado.
- 1 entrada digital: Una entrada de alarma para conectar dispositivos que puedan alternar circuitos cerrados y abiertos, como detectores PIR, contactos de puertas y ventanas, detectores de rotura de cristales, etc. Cuando se recibe una señal, el estado cambia y la entrada se vuelve activa (indicado en **Configuración de eventos > Estado del puerto**).
- Alimentación auxiliar y toma a tierra.



Número de pin	Función	Notas	Especificaciones
4	Salida del transistor	Utiliza un transistor NPN de colector abierto con un emisor conectado al pin de toma a tierra (GND). Si se utiliza con un repetidor externo, debe conectarse un diodo en paralelo a la carga como protección ante oscilaciones de voltaje.	Carga máx. = 50 mA Voltaje máx. = 24 V CC (al transistor)
3	Entrada digital	Conecte una toma de tierra para activarla o déjala suelta (o desconectada) para desactivarla.	No debe exponerse a voltajes superiores a 10 V CC.
2	Alimentación CC de 7 - 20 V	Puede utilizarse para alimentar equipos auxiliares.	Carga máx. = 50 mA
1	GND		

## Diagrama de conexiones



## Indicadores LED

LED	Color	Indicación
Red	Verde	Fijo para indicar conexión a una red de 100 Mbit/s. Parpadeo para indicar actividad de red.
	Ámbar	Fijo para indicar conexión a una red de 10 Mbit/s. Parpadeo para indicar actividad de red.
	Apagado	Sin conexión de red.
Estado	Verde	Fijo para indicar funcionamiento normal. Nota: Puede configurarse el LED de estado para que esté apagado durante el funcionamiento normal o para que parpadee únicamente cuando se accede a la cámara. Para realizar la configuración, vaya a Configuración >Opciones de sistema > Configuración de LED. Para obtener más información, consulte los archivos de la ayuda en línea.
	Ámbar	Fijo durante el inicio o durante el restablecimiento de los valores o la configuración iniciales.
	Rojo	Parpadeo lento si no se puede realizar una actualización.
Alimentación	Verde	Funcionamiento normal.
	Ámbar	Parpadeo verde/ámbar durante la actualización del firmware.



## Reconfiguración a los valores iniciales

Siguiendo estas instrucciones, podrá reconfigurar todos los parámetros, incluida la dirección IP, a los valores iniciales:

1. Desconecte la alimentación de la cámara.
2. Mantenga presionado el botón de reinicio (panel trasero) y vuelva a conectar la alimentación.
3. Mantenga presionado el botón hasta que en el indicador de estado se encienda una luz amarilla (esto puede tardar hasta 15 segundos), después suelte el botón.
4. Cuando en el indicador de estado se encienda una luz verde (lo que puede tardar hasta 1 minuto) la cámara estará reconfigurada a los valores iniciales.
5. Vuelva a instalar la AXIS 210/210A/211/211A utilizando uno de los métodos de instalación descritos en este documento.

## Más información

Podrá acceder al manual del usuario desde el sitio Web de Axis [www.axis.com](http://www.axis.com), o bien a través del CD sobre el producto de vídeo de red de Axis suministrado con la cámara.

**Sugerencia:**

Entre en [www.axis.com/techsup](http://www.axis.com/techsup) para comprobar si existe firmware actualizado disponible para la AXIS 210/210A/211/211A. Para ver la versión de firmware que se encuentra instalada en ese momento, consulte la página Web Configuración básica en las herramientas de configuración del producto.



