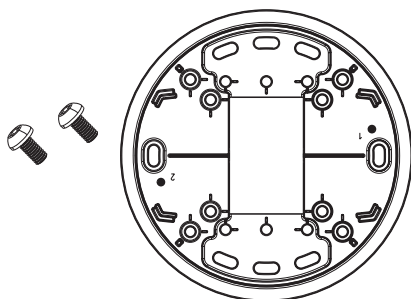


# AXIS P3343/AXIS P3344/AXIS P3346 Network Camera Mounting Bracket Installation Guide

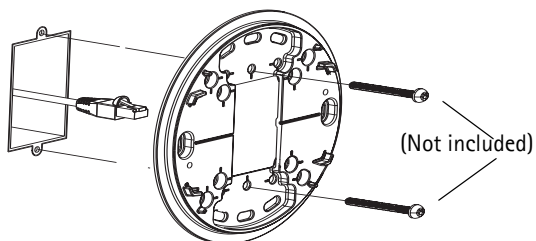
**Important!**  
This product must be used in compliance with local laws and regulations.

## Package contents

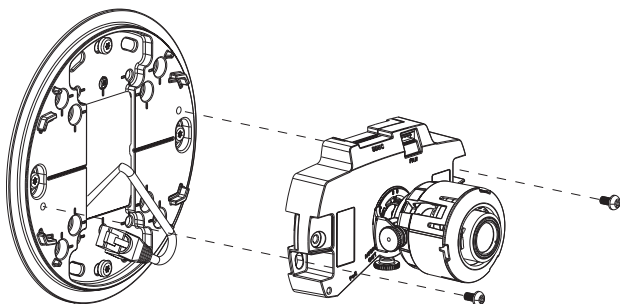
- 1 Mounting bracket
- 2 M4x8 screws



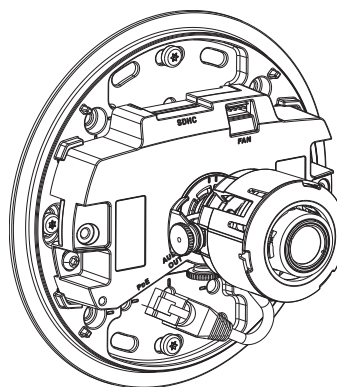
1. Thread the necessary cables through the bracket. Attach the bracket to a junction box or wall with screws appropriate for the wall type or junction box size.



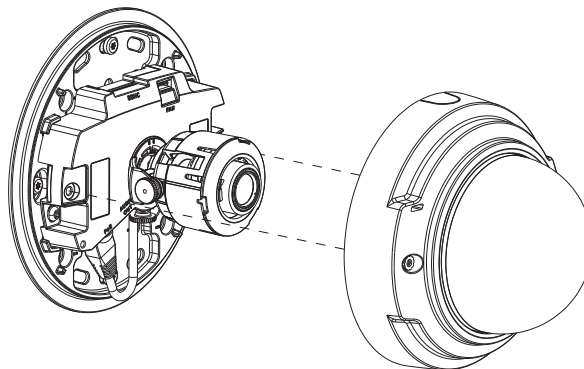
2. Attach the camera to the bracket with 2 M4x8 screws (included).



3. Connect the necessary cables and follow the instructions in the camera's Installation Guide for adjusting the lens.



4. Attach the dome cover and secure it by tightening the captive screws.



Part number: 41131  
R 2.0