

VT Vandal-Resistant Housing AVTPSC

Vandal-resistant indoor housing for Axis network cameras.



- > Indoor installation
- > Sheet steel construction
- > Easy installation
- > Key lock

VT Vandal-Resistant Housing AVTPSC has been designed for surveillance applications in premises highly exposed to vandalism, such as parking garages, subway stations, prisons, police stations, shopping malls, supermarkets and similar facilities.

The housing is made of sheet steel, painted with epoxy-polyester powder and the front window is made of PMMA glass.

The housing is equipped with an internal bracket for camera attachment and adjustment. A key lock and a wide opening allows for easy installation and maintenance.

The cable outlet is made possible from the fixing base, from both sides (left or right) and from the 2 M20 cable glands on the rear.

Optionally, VT Vandal-Resistant Housing AVTPSC can be equipped with a heater. With this accessory the housing can be mounted in semi-outdoor environments, such as parking garages or station platforms.

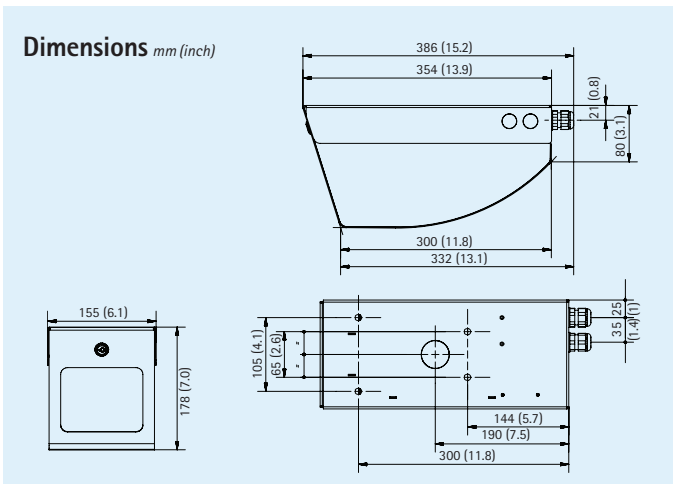
Supported cameras are AXIS 210, AXIS 210A, AXIS 211, AXIS 211A, AXIS 211M, AXIS P1311, AXIS P1343, AXIS P1344, AXIS P1346, AXIS 221 Day & Night, AXIS 223M and AXIS Q1755 Network Cameras.



Technical specifications – VT Vandal-Resistant Housing AVTPSC


General	
Supported cameras	AXIS 210, AXIS 210A, AXIS 211, AXIS 211A, AXIS 211M, AXIS P1311, AXIS P1343, AXIS P1344, AXIS P1346, AXIS 221, AXIS 223M and AXIS Q1755 Network Cameras
Casing	Sheet steel, 1.5 mm thick (0.06") Epoxy polyester powder painted Color: White grey RAL9002 PMMA glass 4 mm (0.15") thick Key lock
Dimensions (H x W x L)	178 x 155 x 354 mm (7.0" x 6.1" x 13.9")
Environment	Indoor Ceiling mount
Approvals	CE according to EN61000-6-3, EN60065, EN50130-4 Impact resistance IK8 according to EN 50102
Weight	3.5 kg (7.7 lb.)
Accessories (not included)	Camera power supply (recommended): - In 100 – 240 V AC, 50/60 Hz - Out 12 V DC, 1 A max Heater OAVTPSCH1 (optional) - Power: in 12 V DC/24 V AC, 20 W, - Operating conditions: on 15 °C +/- 3 °C (59 °F), off 22 °C +/-3°C (71 °F)

More information and a configuration tool available at www.axis.com/accessories



Accessories

Camera power supply



Heater OAVTPSCH1

