

AXIS P1311 Network Camera

High-performance video surveillance with H.264 compression.



- > Superior image quality
- > Multiple H.264 streams
- > Intelligent video capabilities
- > Local storage
- > Power over Ethernet

AXIS P1311 Network Camera is a fixed network camera, delivering excellent H.264 performance and featuring a robust design. Superior video quality with progressive scan is provided in multiple, individual H.264 and Motion JPEG streams.

AXIS P1311 provides crisp and clear images of both illuminated and low-light environments and is the perfect choice where a clearly visible camera is preferred for deterrence in environments such as schools, retail stores, banks and other office buildings.

Multiple H.264 and Motion JPEG streams can be provided either in full frame rate or individually optimized for different quality needs and bandwidth constraints. AXIS P1311 also supports MPEG-4 Part 2 for backward compatibility.

AXIS P1311 includes intelligent capabilities such as video motion detection, audio detection and alarm notification at tampering attempts such as blocking or spray-painting the camera.

Two-way audio support allows remote users to listen in on an area and communicate with visitors or intruders.

Powerful event management ensures efficient use of the cameras in a video surveillance system. AXIS P1311 offers an SD/SDHC memory card slot for optional local video storage in addition to the integrated pre/post-alarm buffering.

Power over Ethernet (IEEE 802.3af) supplies power to the camera via the network, eliminating the need for power cables and reducing installation costs.



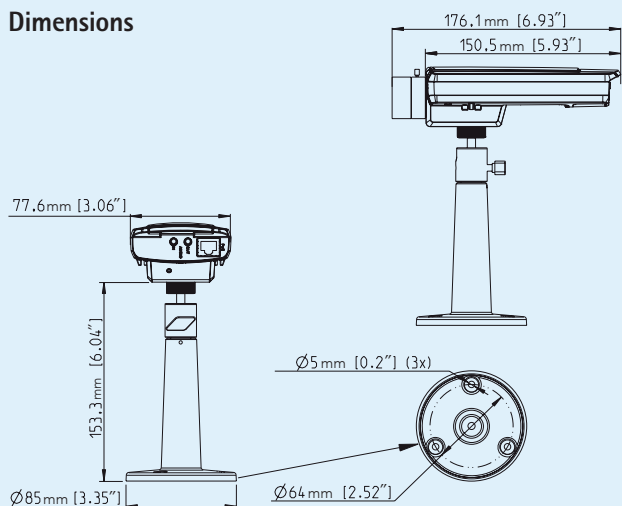
Technical Specifications – AXIS P1311 Network Camera

Camera	
Image sensor	1/4" Progressive scan RGB VGA CMOS
Lens	4.0 mm, F1.2, fixed iris, CS mount Angle of view, horizontal: 42°
Light sensitivity	0.6 - 30000 lux, F1.2
Shutter time	1/5000 s to 1/4 s
Video	
Video compression	H.264 (MPEG-4 Part 10/AVC) Motion JPEG MPEG-4 Part 2 (ISO/IEC 14496-2)
Resolutions	640x480 to 160x120
Frame rate H.264	30 fps in all resolutions
Frame rate Motion JPEG	30 fps in all resolutions
Frame rate MPEG-4 Part 2	30 fps in all resolutions
Video streaming	Multi-stream H.264, Motion JPEG and MPEG-4 Part 2 H.264/MPEG-4 Part 2: 1 stream in full frame rate and resolution Motion JPEG: 2 individually configured streams in full frame rate and resolution More streams in either compression if identical or limited in frame rate/resolution Controllable frame rate and bandwidth VBR/CBR H.264 & MPEG-4 Part 2
Image settings	Compression, color, brightness, sharpness, contrast, white balance, exposure control, exposure zones, backlight compensation, fine tuning of behavior at low light, rotation Text and image overlay Privacy mask
Audio	
Audio streaming	Two-way, half duplex
Audio compression	AAC LC 8/16 kHz G.711 PCM 8 kHz G.726 ADPCM 8 kHz Configurable bit rate
Audio input/output	Built-in microphone, external microphone input or line input, line output

Network	
Security	Password protection, IP address filtering, HTTPS encryption, IEEE 802.1X network access control, digest authentication, user access log
Supported protocols	IPv4/v6, HTTP, HTTPS, QoS Layer 3 DiffServ, FTP, SMTP, Bonjour, UPnP, SNMPv1/v2c/v3(MIB-II), DNS, DynDNS, NTP, RTSP, RTP, TCP, UDP, IGMP, RTCP, ICMP, DHCP, ARP, SOCKS
System integration	
Application Programming Interface	Open API for software integration, including VAPIX® from Axis Communications available at www.axis.com
Intelligent video	Video motion detection, active tampering alarm, audio detection
Alarm triggers	Intelligent video and external input
Alarm events	File upload via FTP, HTTP and email Notification via email, HTTP and TCP External output activation
Video buffer	16 MB pre- and post alarm
General	
Casing	Metal (zinc)
Processor and memory	ARTPEC-B, 64 MB RAM, 32 MB Flash
Power	8-20 V DC max. 2.8 W Power over Ethernet IEEE 802.3af Class 1
Connectors	RJ-45 10BASE-T/100BASE-TX PoE, Terminal block for power Terminal block for 1 alarm input , 1 output 3.5 mm mic/line in, 3.5 mm line out
Local storage	SD/SDHC memory card slot (card not included)
Operating conditions	-10 – 55 °C (14 – 131 °F) Humidity 20 – 80% RH (non-condensing)
Approvals	EN 55022 Class B, EN 61000-3-2, EN 61000-3-3, EN 55024, FCC Part 15 Subpart B Class B, ICES-003 Class B, VCCI Class B, C-tick AS/NZS CISPR 22, EN 60950-1 Power supply: EN 60950-1, UL, CSA
Weight	584 g (1.29 lb.)
Included accessories	Power supply, stand, connector kit, Installation Guide, CD with installation tools, recording software and User's Manual, Windows decoder 1-user license

More information is available at www.axis.com

Dimensions



Optional accessories

Various housings



AXIS T90A Illuminators



For information on AXIS Camera Station and video management software from Axis' Application Development Partners, see www.axis.com/products/video/software/